

TROUBLESHOOTING
SUGGESTIONS

TROUBLE

1. Fan will not start
 - Check wiring connections to fan.
 - Check fuses and circuit breakers.
 - Check wiring connections in switch housing.

CAUTION: Turn power off for last two items.
2. Fan sounds noisy
 - Check to make sure that all screws in motor housing are snug.
 - Check to make sure that blade bracket screws are tight.
 - Check to make sure that marrettes in switch housing are not rattling against wall of switch housing.
 - If fan has a light kit make sure switch housing screws and set screws are tight.
 - Some fan motors are sensitive to signals from solid state variable controls. If solid state controller is used, change to an alternative control. (See a representative for a list of available controls.)
 - Allow a 24 hour break in period to eliminate most noises.
3. Fan wobbles or shakes excessively.
 - Check that all blades are screwed firmly into blade brackets.
 - Check that blade brackets are secured firmly to motor.
 - Check distance from tip of blades to ceiling.
 - Check distance between blade tip to blade tip. All measurements should be equal. Loosen blade screws and position blade until even then re-tighten.
 - Check that the downrod hemisphere notch is engaged in canopy.
 - Check to make sure that jam screws in downrod are tightened.
 - Make sure canopy and mounting bracket are tightened securely to wooden joist.
 - Make sure warpage has not occurred in wooden blades. If so, contact the customer service department for replacement parts.

5 YEAR LIMITED WARRANTY

“Thank you” for purchasing our product. It is our policy to furnish you with high quality products at a fair price. With proper installation your fan should provide you with years of money saving comfort.

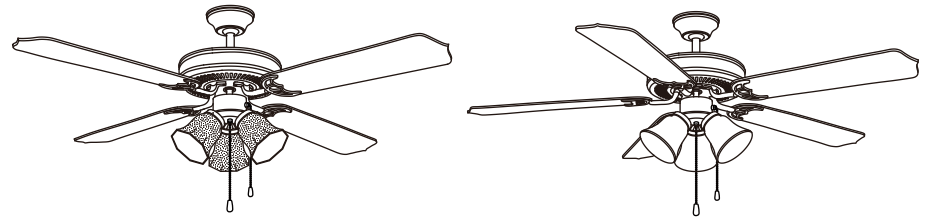
This fan is guaranteed to be free from defects in workmanship and Material for a period of five (5) years from date of purchase. Within the first (1) year from date of purchase any defective product should be returned to your **RETAIL OUTLET** along with proof of purchase. For the balance of the warranty, four (4) years, the **MOTOR WINDINGS ONLY** shall be free of defects. We will correct such defects or replace the motor assembly at our option if the product is returned, **FREIGHT PREPAID**, to us. The returned fan must be accompanied by your proof of purchase and a cheque for \$20.00 for handling and labour charges. All costs of removing and re-installing the product are **YOUR RESPONSIBILITY** damage to any part as such by accident, misuse, improper installation or by affixing any accessories **IS NOT** covered by this warranty. As a result of varying climatic conditions in our area this warranty does not cover any changes in finishes, including rusting, pitting, corroding, tarnishing or peeling.

WARRANTY VOID: In cases of alteration, abuse, installation not in accordance with instructions or REMOVAL of the CSA Sticker.

11/16

INSTALLATION INSTRUCTIONS

DUAL MOUNT SERIES



“INSTRUCTIONS PERTAINING TO RISK OF FIRE OR INJURY TO PERSONS”
“READ ALL INSTRUCTIONS”

“IMPORTANT SAFETY INSTRUCTIONS”
“SAVE THESE INSTRUCTIONS”

INSTALLATION AND WIRING TO BE IN ACCORDANCE WITH CEC, NEC, LOCAL ELECTRICAL CODES and ANSI/NFPA 70.
Consult a qualified electrician if you are not familiar with wiring.

TOOLS AND MATERIALS REQUIRED

- Philips Screw Driver
- Blade Screw Driver
- Step Ladder
- Wire Cutters
- Wiring supplies as required by electrical code.

NOTE: FOR OPTIMUM QUIETNESS, FULLY ASSEMBLE FAN AND RUN 24 HOURS

SAFETY PRECAUTIONS

1. Turn off power at main electrical service box before starting installation.
2. Electrical connections must comply with local code ordinances, national electrical codes, CEC, NEC and ANSI/NFPA 70.
3. Make sure the installation site you choose allows the fan blades to rotate freely without any obstructions.
4. When mounting the fan on a ceiling outlet box, Use an approved (CSA for Canada and UL for U.S.) ceiling fan box marked "**FOR FAN SUPPORT**". Ensure the outlet box is securely installed in place such that it is able to support at least the fan weight.
5. **WARNING:** To reduce the risk of fire, electric shock, or personal injury, mount fan only to an outlet box marked acceptable for fan support and use mounting screws provided with the outlet box. Most outlet boxes commonly used for the support of lighting fixtures are not acceptable for fan support and may need to be replaced. Consult a qualified electrician if in doubt.
6. Total Fan Weight For Reference: 42" approximate 7.5 kgs(16.53lbs), 52" approximate 9.0 kgs(19.84lbs).

WARNING

- To reduce the risk of fire or electrical shock, **ONLY** use model remote control for optional remote control adaptability.
- **WARNING: TO REDUCE THE RISK OF FIRE, ELECTRIC SHOCK, OR PERSONAL INJURY, MOUNT TO OUTLET BOX MARKED ACCEPTABLE FOR FAN SUPPORT AND USE MOUNTING SCREWS PROVIDED WITH THE OUTLET BOX.**
- Mount with the lowest moving parts at least 2.10 Meters (7 Feet) above floor or grade level.
- **DO NOT** operate reversing switch while fan blades are in motion. Fan must be turned off and rotating blades stopped, reverse chain pulled, the speed chain pulled again to start in the opposite direction.

INSTRUCTIONS

A ceiling fan has a completely internal switching system for total operation by way of pull chains. On a fan/light combination, three pull chains will exist: One for light, on and off. The second is for fan speeds. This will be marked (SPEED) on the fan switch housing.

- 1st Pull will give fan High Speed
- 2nd Pull will give fan Medium Speed
- 3rd Pull will give fan Low Speed
- 4th Pull will Shut Fan Off

The third pull chain is for Forward/Reverse#(**Note: Some models come with a slide switch instead of a pull chain**). This setting would usually be changed twice per year. Downdraft in summer to create a wind chill to give a cooling effect. U[draft in winter to circulate the hot stratified air off the ceiling and back down to the floor without creating a wind chill.

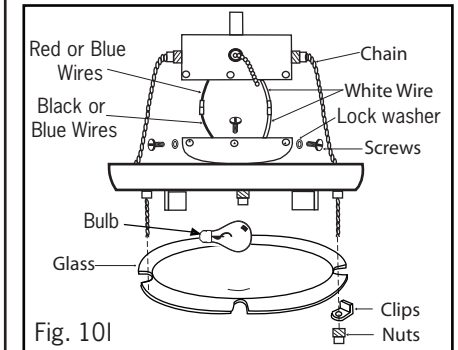
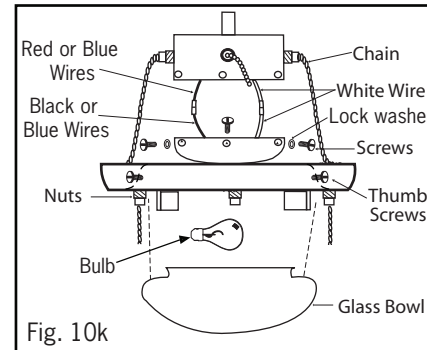
A

DETACHABLE LIGHT KITS

- Remove 2 clips (optional) and nuts. Loosen third clip (optional) and nut.
- Place proper bulb type and wattage into the fixture.

- Loosen thumb screws on light.
- Place shade on light and secure with thumb screws, finger tight.
- Connect tassels to switches feeding chains through nuts on light kit.

- Align slots in glass bowl with nipples on fixture. Slide glass into loosened clip.
- Assemble the other 2 clips to the fixture and then tighten all three nuts in place.
- Connect tassels to switches feeding chains through nuts on light kit.

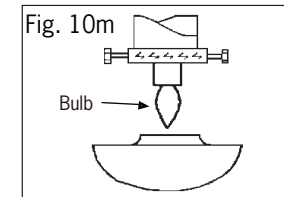


NOTE: Pull chain switches are available for some models.

B

PERMANENTLY ATTACHED LIGHT

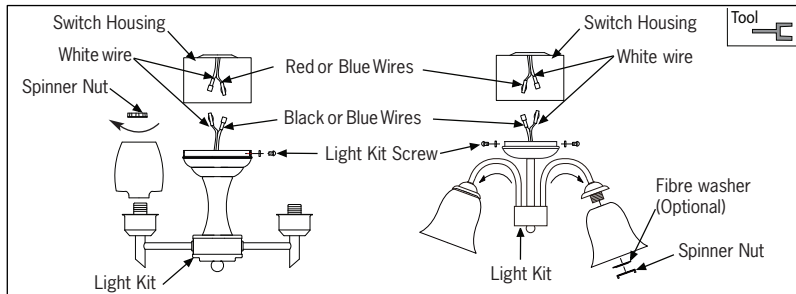
- Loosen thumb screws on light.
- Install proper wattage and type of bulb identified on light or shade.
- Place shade on light and secure with thumb screws, finger tight.



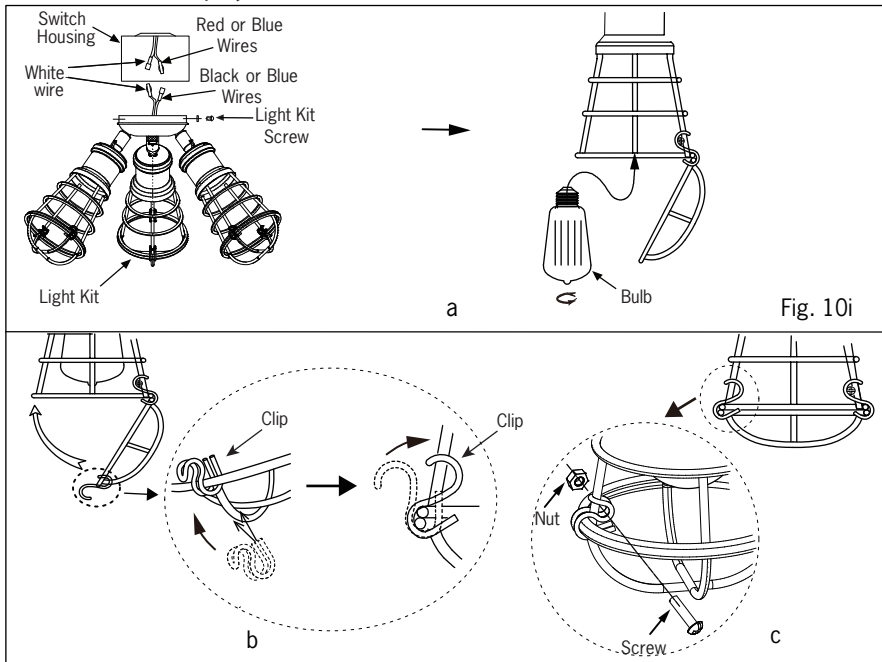
NOTE: Electrical diagrams are for reference only. Light kits that are not packed with the fan must be CSA/UL Listed and marked approval for use with the model fan you are installing. Switches must be CSA/UL General Use switches. Refer to the instructions packaged with the light kits and switches for proper assembly.

WARNING: Check all connections, set screws and screws a resecurly tightened before the next step.

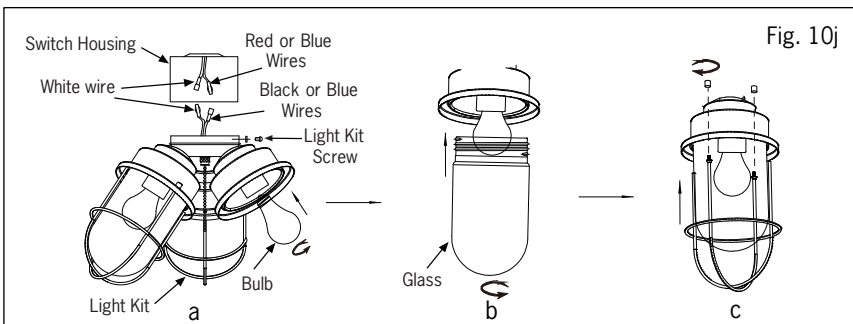
To clean the fixture, turn off the power, wait for it to cool, and wipe the fixture with a clean, soft cloth.



- a. Install specified bulb type and wattage. (Fig.10i)
- b. Attach the clip to the guard as shown.
- c. Secure the clip by the screw and nut.

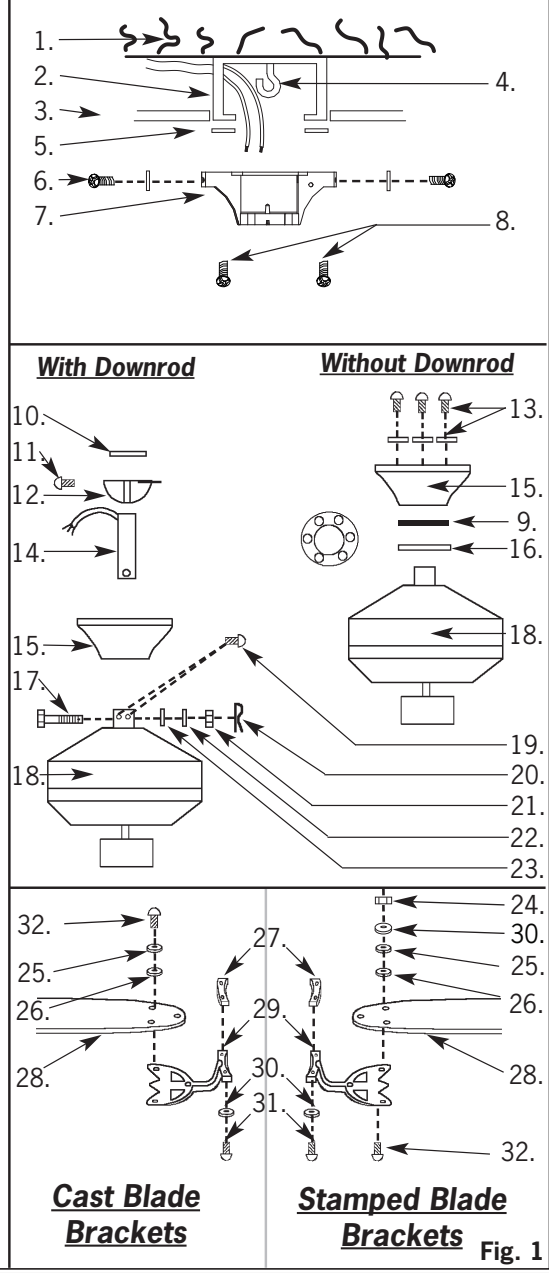


- a. Install specified bulb type and wattage. (See Fig.10j)
- b. Screw glass cylinder on to the fixture.
- c. Install the guard with the nuts.



ASSEMBLY DRAWING

1. Wooden Joist
2. Approved (CSA for Canada and UL for U.S.) ceiling fan box (not provided)
3. Ceiling
4. J-Hook
5. Rubber Gasket
6. Screws & Lock Washers (set of 4)
7. Mounting Bracket c/w Ground Wire
8. Outlet Box Screws (not provided)
9. Rubber Ring (optional)
10. Lock Pin
11. Hemisphere Jam Screw
12. Hemisphere
13. Upper Motor Housing Screws & Lock Washers (set of 3 or 4)
14. Downrod c/w Ground Wire
15. Ceiling Canopy
16. Rubber Bushing (optional)
17. Bolt
18. Motor Assembly
19. Jam Screws
20. Cotter Pin
21. Nut (optional)
22. Lock Washer (optional)
23. Flat Washer (optional)
24. Hex Nut
25. Flat Washer
26. Fibre Washer
27. Fibre Bracket Gasket
28. Blade
29. Blade Bracket
30. Lock Washer
31. Motor Screw
32. Blade Bracket Screws



Cast Blade Brackets

Stamped Blade Brackets

Fig. 1

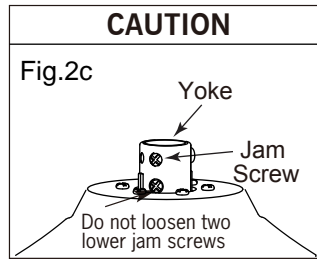
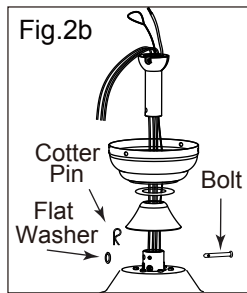
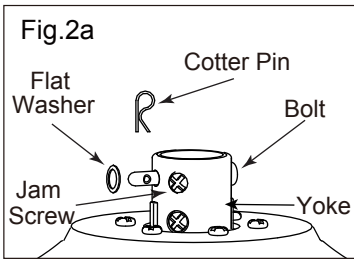
INSTALLATION

NOTE: All set screws must be checked and retightened where necessary, before and after installation.

1. MOUNTING OPTION

A DOWNROD MOUNT

- Using a Philips screwdriver loosen the two upper jam screws on the yoke.
- Position downrod inside canopy.
- Route wires exiting yoke on motor through ceiling canopy and downrod.
- Position downrod/canopy into yoke and align holes in yoke and downrod.
- Insert bolt through hole in yoke and downrod. **"Be careful not to damage or cut the fan wires."**
- Tighten flat washer, lock washer, and nut and bolt (not included on some models). Secure with cotter pin through hole in the end of the bolt.
- Secure downrod in position by tightening upper jam screws.



B FLUSH MOUNT

- Optional for some models - Remove rubber ring from canopy (see fig. 2d)
- Remove the yoke screws and lockwashers which correspond to the holes in the canopy.
- Position canopy over the holes on motor and secure with the same screws and lockwashers removed in the previous step. Ensure to place the rubber bushing between the canopy and motor.

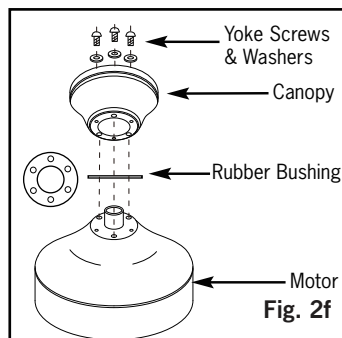
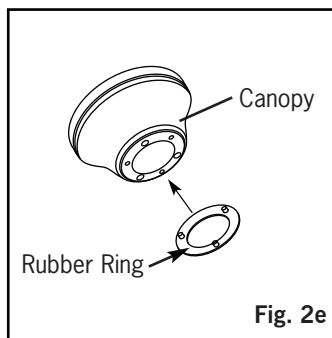


Fig. 2e

Fig. 2f

8.

LIGHT KITS (Optional in some fans)

A

DETACHABLE LIGHT KITS (Refer to one of the following light kits for your model)

- Remove light kit screws and washers.
- Connect polarized connectors of light kit to corresponding connectors found in switch housing.

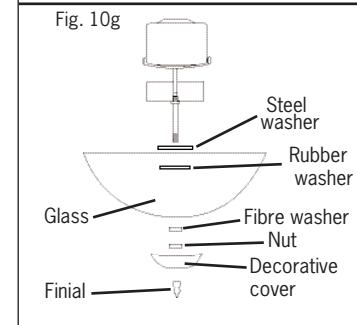
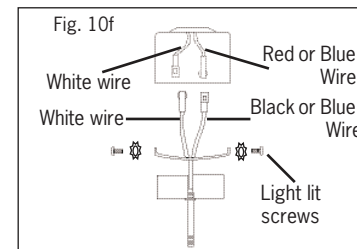
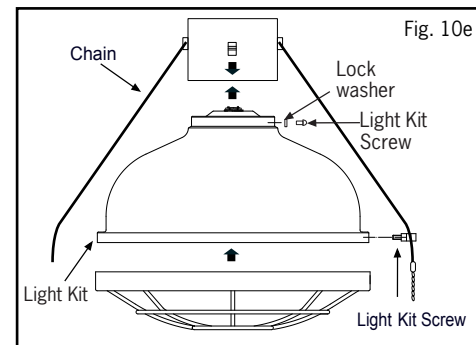
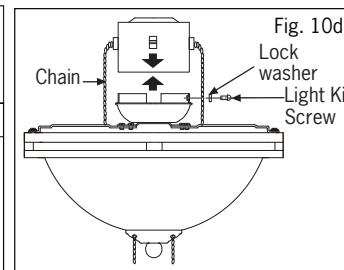
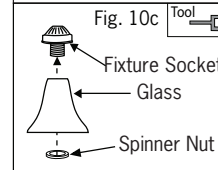
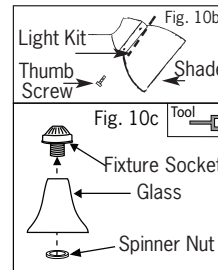
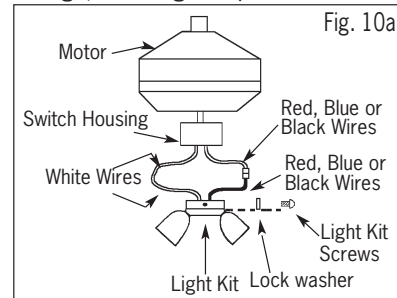
WARNING: BE SURE TO TURN OFF POWER BEFORE INSTALLING

- Carefully tuck electrical wires back into switch housing, align light kit with switch housing and secure with three light kit screws and washers.

Place shades on light kit and secure with either screws, finger tight, spinner nut or push and turn for pop-off style shades. (See Fig. 10a, Fig. 10b, Fig. 10c, Fig. 10d, Fig. 10e, Fig. 10h, Fig. 10i, Fig. 10j).

- Install proper wattage and type of bulb identified on light kit or shade.
- Ensure that bulb sockets are attached in a parallel direction to the hanging chains. Install proper bulb type wattage, ensuring that pull chains do not rest on bulbs.

- Install proper wattage and type of bulb identified on light housing or shade.
- Place glass on light housing and secure (See Fig. 10f, Fig. 10g).



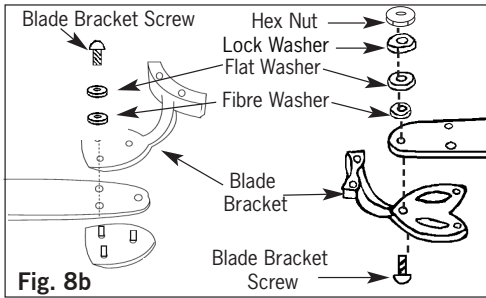
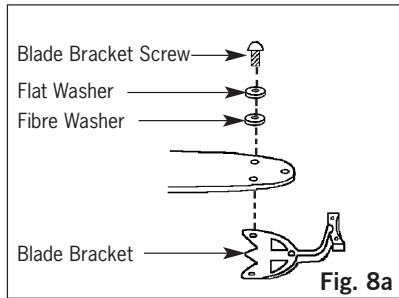
6. MOUNT BLADE BRACKETS TO BLADES

Cast Blade Brackets

- Take out hardware package.
- Place blade bracket screw through flat washer, fibre washer and blade.
- Align with corresponding hole in blade bracket.
- Repeat with (2) remaining screws and tighten.

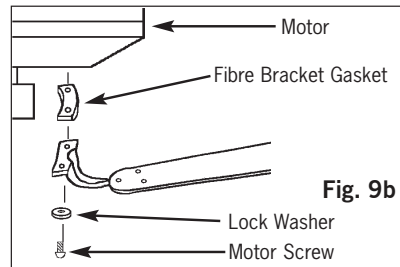
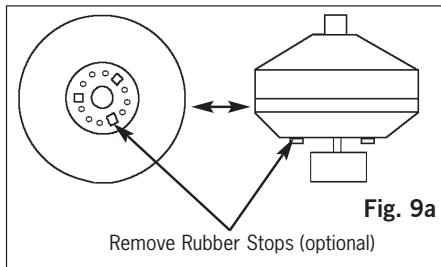
Stamped Blade Brackets

- Take out hardware package.
- Place blade bracket screw through hole in blade bracket.
- Align with corresponding hole in blade bracket.
- Place fibre washer and flat washer over blade bracket screw and secure with hex nut.
- Repeat with (2) remaining screws and tighten.



7. MOUNTING BLADES TO MOTOR

- Take out hardware containing motor screws, lock washers and gaskets.
- Place lock washers over motor screws, position motor screws in blade brackets, place fibre bracket gaskets over screws and secure to motor. Make sure all screws are tightened securely.



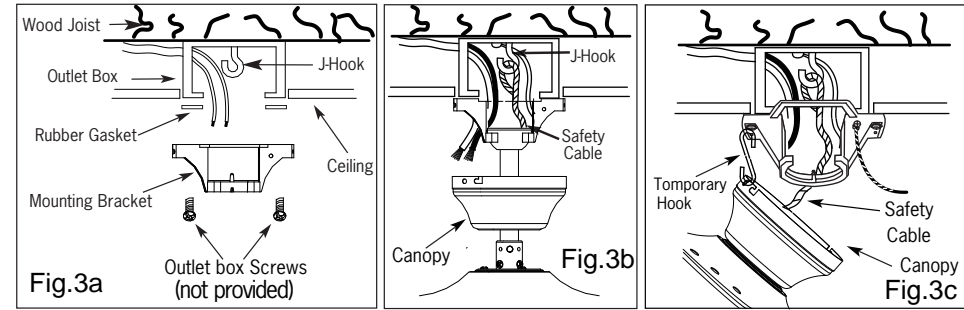
NOTE: Fan comes with three rubber stops (optional on some models) on motor for shipping purposes only. Remove stops before running motor or installing blades to motor.

2. INSTALL MOUNTING BRACKET

WARNING: To Reduce The Risk Of Fire, Electric Shock, Or Personal Injury, Mount To UL/CSA Listed Outlet Box Marked Acceptable for Fan Support And Use Mounting Screws Provided With The Outlet Box.

- Install J-Hook through centre of outlet box and into the wooden joist.
- Secure mounting bracket and rubber gaskets to outlet box.
- Hang the safety cable onto the J-hook.
- Hang fan on temporary hook or mounting bracket.

**Diagram Fig.3b is for Downrod Mount.
Diagram Fig.3c is for Flush Mount.**



3. ELECTRICAL HOOK UP

- There are several different wiring combinations that can be used in controlling your ceiling fan to meet your specific requirements. Should the following method not meet your requirements call or visit your nearest distributor for a full list of fan accessories.

CAUTION

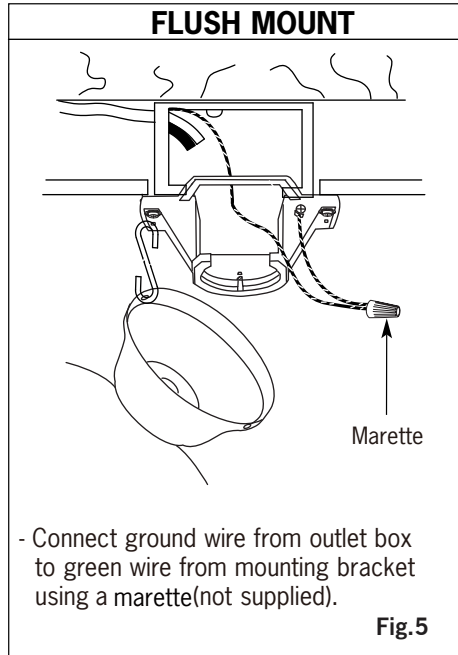
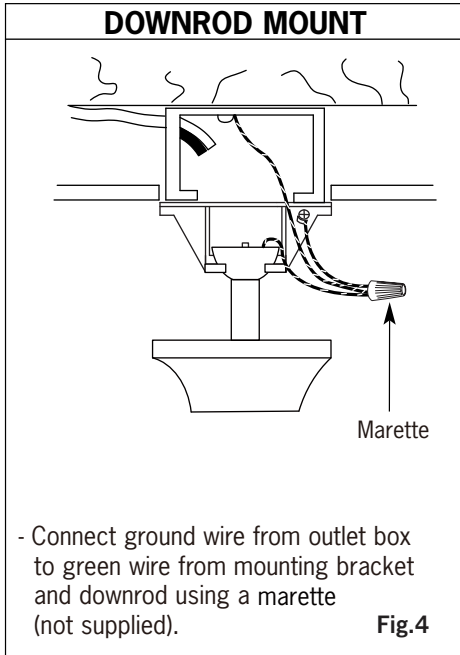
Green Wire - GROUND
Black Wire (Fan) - POWER
White Wire (Fan) - COMMON
Red or Blue Wire (Light Kit) - POWER

**SEE SAFETY PRECAUTIONS ON
PG. #2 BEFORE WIRING**

- After making the wire connections, ensure the wires should be spread apart with the grounded conductor and the equipment-grounding conductor on one side of the outlet box and the ungrounded conductor on the other side of the outlet box.
- Ensure the splices after being made should be turned upward and pushed carefully up into the outlet box.

3. ELECTRICAL HOOK UP

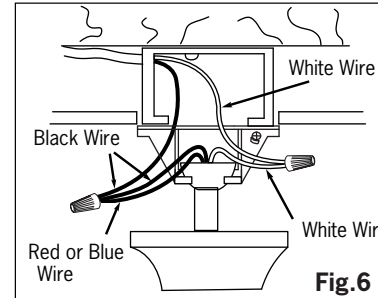
A CONNECTING THE (GREEN) GROUND WIRE



NOTE: Once ground wires are connected, carefully tuck wires and marette into the outlet box making sure that the wires are clear of the hemisphere and downrod when positioned in mounting bracket (Downrod Mount Only).

3. ELECTRICAL HOOK UP (Continued)

B CONNECTING BLACK, WHITE, AND (RED OR BLUE) WIRES



- Connect white wire from outlet box to white wire from fan using marret (not supplied).

- Connect black wire from outlet box to black wire from fan plus (red or blue wire) using a marret.

NOTE: A red or blue wire would be power for a light kit if applicable.

NOTE: Once wires are connected, carefully tuck wires and marrettes into the outlet box making sure that the wires are clear of the hemisphere and downrod when positioned in mounting bracket (Downrod Mount Only).

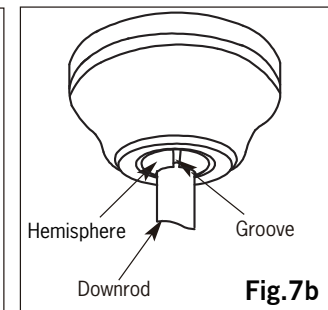
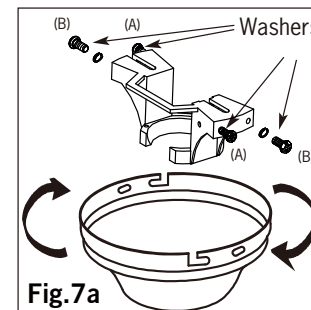
4. MOUNTING FAN ASSEMBLY

- Place two screws and washers on mounting plate (marked B on diagram) which correspond with slots in canopy. Screw in two turns.
- Position canopy to mounting plate aligning slots to screws (marked B on diagram) then turn to lock.
- Position and tighten the two screws and washers (marked A on diagram) then tighten the two screws (marked B on diagram).

5. ENGAGE HEMISPHERE (Downrod Mount Only)

- Carefully rotate fan assembly until groove in hemisphere locks over tab of canopy assembly.

WARNING: Failure to seat tab in groove could cause damage to electrical wires and possible shock or fire hazard.



NOTE: When installing fan on sloped ceiling, make sure tab on hanger bracket faces towards the top of the slope. Depending on the slope, a longer downrod may be required to prevent fan blades from hitting the ceiling.

3. Le ventilateur oscille excessivement.
- Certains ventilateurs sont très sensibles aux signaux émis d'un contrôleur à transformateur à vitesse variable ou d'un réducteur. Nous vous suggérons d'utiliser un contrôleur approprié à votre ventilateur (voir un représentant pour une liste des contrôleurs qui sont disponibles).
 - Allouez 24 heures de rodage pour éliminer certains bruits.
 - Assurez-vous que les pales sont bien vissées aux ferrures de pales.
 - Assurez-vous que les ferrures sont bien vissées au moteur.
 - Vérifiez la distance entre le plafond et chacune des pales.
 - Vérifiez la distance entre chaque pale. Cette distance devrait être la même pour chaque paire de pales. Dévissez la ferrure et repositionnez la pale à la distance voulue et revissez ensuite la ferrure.
 - Assurez-vous que la demi-sphère est bien engagée dans l'entaille de la cloche.
 - Assurez-vous que la demi-sphère est bien engagée
 - Assurez-vous que la ferrure de montage ainsi que la cloche sont bien serrées à la solive.
 - Assurez-vous qu'aucun crochissement ne s'est produit dans les pales. Pour vérifier ceci mettez vos pales à plat sur une table. Si un crochissement s'est produit, communiquez avec votre représentant au numéro de service à la clientèle indiqué sur la garantie.

GARANTIE LIMITÉE DE 5 ANS

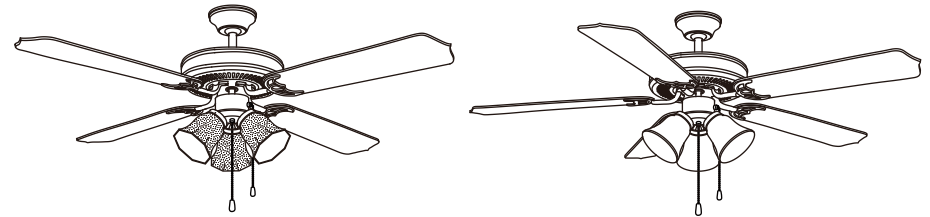
"**Merci**" d'avoir opté pour un de nos produits. Notre politique est de vous fournir un produit de qualité à un prix compétitif. Avec l'aide d'une installation adéquate, votre ventilateur vous fournira des années de confort et d'économies d'énergie.

Ce ventilateur est garanti contre toutes déficiences de matériaux ou de main-d'oeuvre pour une période de cinq (5) ans à partir de la date d'achat. Durant la première (1) année suivant l'achat, un produit défectueux devra être retourné au détaillant accompagné de la preuve d'achat. Pour la balance de la garantie soit quatre (4) ans, **LE MOTEUR SEULEMENT SERA GARANTI** contre toutes déficiences. Nous réparerons ou remplacerons, à notre choix, le moteur défectueux si celui-ci est retourné frais de port payés. Le ventilateur doit être retourné **accompagné de la preuve d'achat et d'un chèque de \$20,00** pour couvrir les frais de main-d'oeuvre et de manutention.

Tous les frais encourus dans le démontage et la réinstallation du produit sont à vos frais. Les dommages causés par un accident, un abus, une opération inadéquate, une mauvaise installation ou l'installation d'un accessoire **NE SONT PAS COUVERTS PAR CETTE GARANTIE**. Aussi, en vue des variations climatiques de notre région, cette garantie ne couvre pas les changements de fini, soit, la rouille, la corrosion, le ternissement ou l'écaillage. **Cette garantie sera nulle lors d'altération, d'abus ou d'installation non-conformes aux instructions ou lorsque l'étiquette de L'ACNOR (CSA) serait ENLEVÉE.**

MODE D'INSTALLATION

SERIE DOUBLE MONTURE



"INSTRUCTIONS CONCERNANT LE RISQUE D'INCENDIES OU LES DOMMAGES DES PERSONNES" "LISEZ TOUTES LES INSTRUCTIONS"



**"INSTRUCTIONS DE SÛRETÉ
IMPORTANTES"
"GARDEZ CES INSTRUCTIONS"**

L'installation et les connexions électriques doivent être conformes aux normes CEC, NEC et codes électriques locaux ainsi que les codes ANSI/NFPA 70. Consultez un électricien qualifié si vous n'êtes pas familiers avec l'électricité

OUTILS ET MATÉRIAUX REQUIS

- Tournevis Philips
- Tournevis Plat
- Fournitures électriques telles que prescrites par le code électrique
- Escabeau
- Coupeur de Fil

N.B.: Pour une opération silencieuse, complétez l'installation et rodez durant 24 heures.

MISE EN GARDE

1. Fermez le courant au disjoncteur avant l'installation.
2. Les connexions électriques doivent être conformes aux codes et ordonnances électriques nationaux CEC, NEC et ANSI/NFPA 70.
3. Lorsque vous choisissez l'emplacement du ventilateur assurez-vous que cet endroit permettra une rotation libre des pales sans obstructions.
4. Lorsque vous installez le ventilateur à la boîte électrique au plafond, Utilisez une boîte "**POUR SOUTIEN D'UN VENTILATEUR**" approuvée pour les ventilateurs de plafond (CSA pour le Canada et UL for les E.U.). Assurez-vous que la boîte électrique est bien fixée au plafond et peut supporter le poids du ventilateur
5. MISE EN GARDE: Pour réduire les risques de blessures, utilisez seulement les vis qui vous sont fournies avec la boîte électrique.
6. Pour votre référence, le poids approximatif du ventilateur est 42", 7.5 kgs(16.53lbs), 52",9.0 kgs(19.84lbs)

MISE EN GARDE

- Pour éviter les dangers d'incendie et de secousses électriques, **utilisez SEULEMENT le contrôle à distance optionnel**
- MISE EN GARDE: POUR RÉDUIRE LES RISQUES D'INCENDIE, DE CHOQUES ÉLECTRIQUES OU DE BLESSURES CORPORELLES, POSEZ LE VENTILATEUR SUR UNE BOÎTE DE SORTIE ÉLECTRIQUE INDIQUÉE "ACCEPTABLE POUR L'INSTALLATION D'UN VENTILATEUR" ET UTILISER LES VIS D'INSTALLATION FOURNIES AVEC LA BOÎTE DE SORTIE.
- L'installation du ventilateur doit se faire en gardant une distance minimum de 2.10 mètres (7 pieds) entre le plancher et les parties mobiles du ventilateur.
- **NE JAMAIS** utiliser l'interrupteur de direction lorsque le ventilateur fonctionne. Vous devez fermer le ventilateur, attendre que les pales soient arrêtées, tirez sur l'interrupteur de direction pour ensuite repartir le ventilateur à l'aide de l'interrupteur de vitesses pour le repartir de nouveau dans la direction opposée.

INSTRUCTIONS

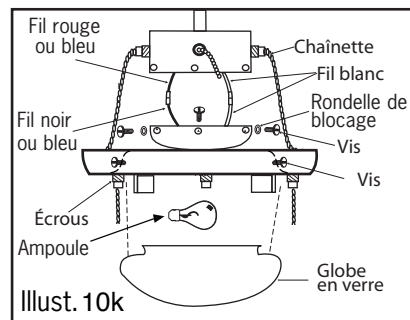
Un ventilateur inclus un système d'interrupteur interne complet qui s'opère par tirette. Sur un ventilateur avec un luminaire, deux tirettes seront présentes. Une pour allumer et éteindre la lumière, l'autre pour changer les vitesses du ventilateur. Celle-ci sera indiquée (SPEED)

- 1er coup de tirette - Grande vitesse
- 2ième coup de tirette - Vitesse moyenne
- 3ième coup de tirette - Petite vitesse
- 4ième coup de tirette - Arrêt du ventilateur

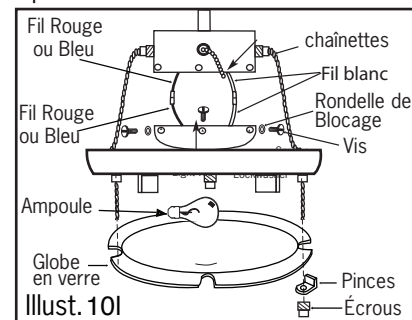
La troisième tirette est pour la fonction de rotation Avant/Arrière du ventilateur. Certains modèles auront un interrupteur à glissière sur le boîtier au lieu d'une tirette. Normalement, la direction du ventilateur est changée deux fois par année. Débit vers le bas pour créer une brise durant l'été et vers le haut pour circuler l'air durant l'hiver.

A LUMINAIRES DETACHABLES

- Retirez 2 pincés(optionnelles)-écrous et desserrez la troisième pince(optionnelle)-écrou.
- Mettez une ampoule du type et de la puissance recommandée dans le luminaire.
- Dévissez les vis sur le luminaire.
- Posez les vis en serrant au doigt.
- Raccordez les pampilles aux interrupteurs en passant les chaînettes par les écrous du luminaire.

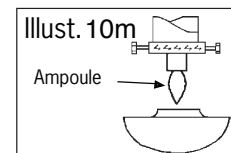


- Alignez les rainures du globe en verre avec les tiges filetées du luminaire. Glissez le globe dans la pince desserrée. Posez les deux autres pincés et serrez le tout au moyen des trois écrous.
- Raccordez les pampilles aux interrupteurs en passant les chaînettes par les écrous du luminaire.



B LUMINAIRES PERMANENTS

- Dévissez les vis sur le luminaire.
- Posez l'ampoule de type et wattage repuse telle qu'indiquée.
- Posez les vis en serrant au doigt.



ATTENTION: Les diagrammes électriques ne sont qu'à titre de référence seulement. Les luminaires qui ne sont pas emballés avec le ventilateur doivent être conformes à CSA/UL et doivent porter la mention: Approuvé pour être utilisé avec le modèle de ventilateur que vous posez. Les interrupteurs doivent être des interrupteurs d'usage générale conforme à CSA/UL. Voir les instructions emballées avec le luminaire et les interrupteurs pour connaître l'installation.

MISE EN GARDE: Vérifiez toutes vos connexions, toutes les vis de blocage et les vis afin qu'elles soient bien serrées avant de procéder à la prochaine étape.

DEPANNAGE

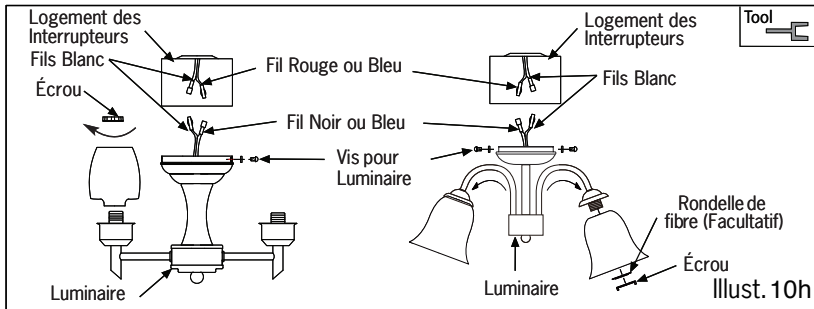
PROBLEME

1. Le ventilateur ne démarre pas.
2. Le ventilateur est bruyant.

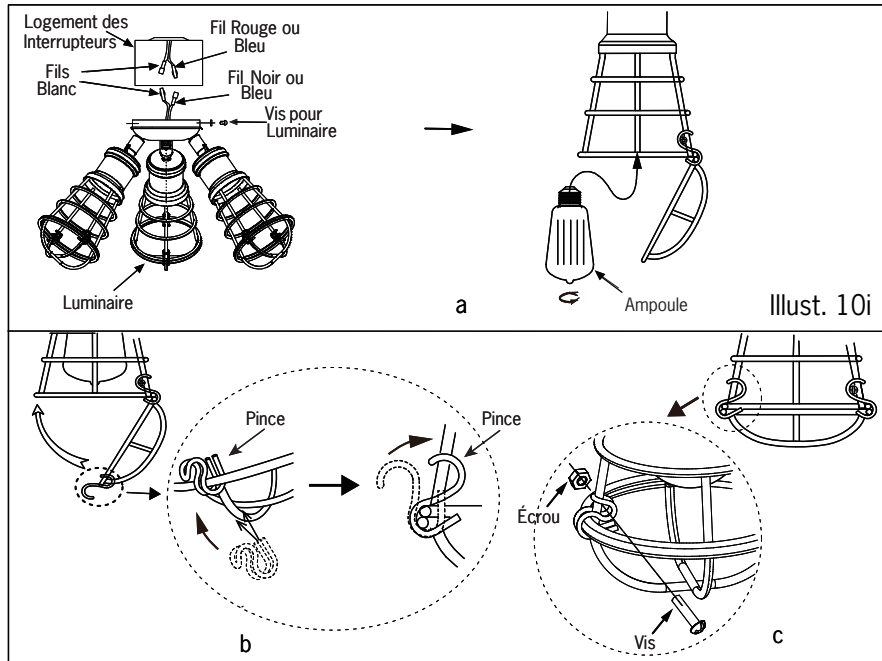
SUGGESTION

- Vérifiez les fusibles au disjoncteur.
- Vérifiez les connexions électriques au ventilateur.
- Vérifiez les connexions électriques dans le logement des interrupteurs.
- **Fermez le courant aux deux derniers items.**
- Assurez-vous que toutes les vis du moteur sont bien serrées.
- Assurez-vous que les vis des ferrures de pales sont bien serrées.
- Assurez-vous que les marrettes à l'intérieur du logement des interrupteurs ne cognent pas contre les parois du logement.
- Si votre ventilateur porte un luminaire assurez-vous que le vis du luminaire au logement soient bien serrées.

A LUMINAIRES DETACHABLES



- a. Poser les ampoule de type et wattage spécifiés. (Illust.10i)
- b. Poser la pince au grille tel qu'illustré.
- c. Fixer la pince à l'aide de la vis et de l'écrou.



- a. Posez l'ampoule de style et de wattage requis (Illust.10j)
- b. Vissez le verre cylindrique sur le luminaire.
- c. Posez le grillage à l'aide des écrous.

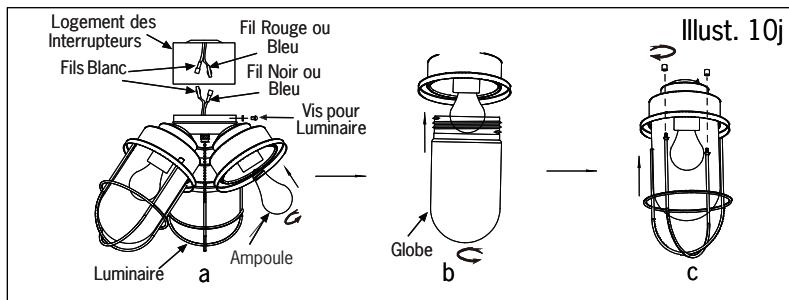
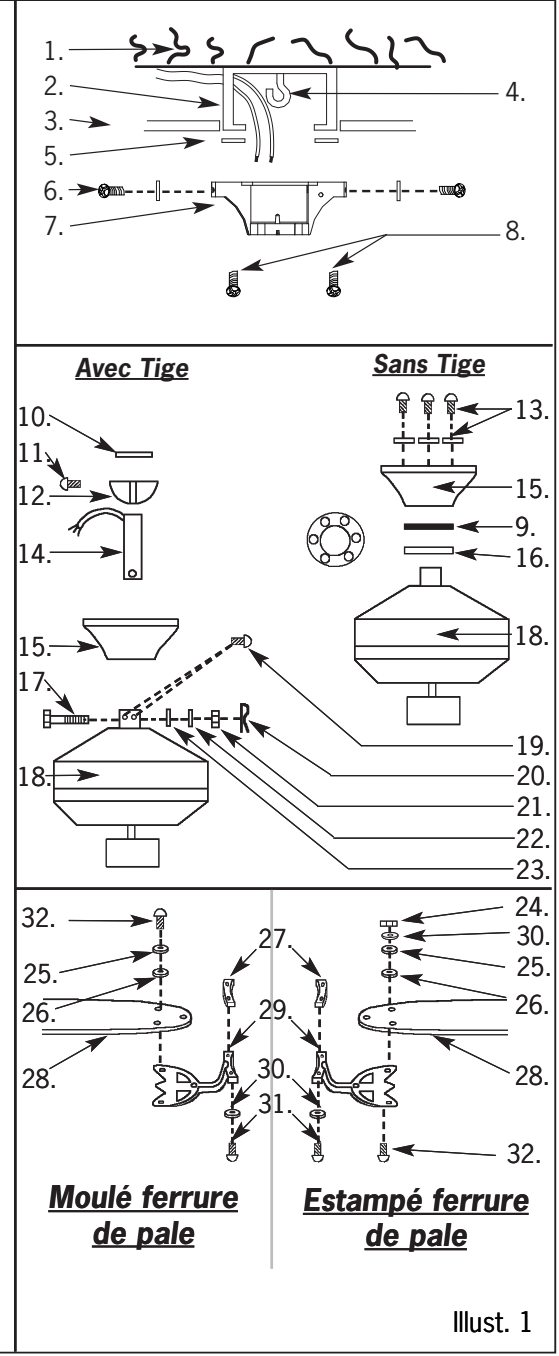


DIAGRAMME D'INSTALLATION

1. Solive de bois
2. Boîte approuvée pour les ventilateurs de plafond (CSA pour le Canada et UL for les E.U.) (en sus)
3. Plafond
4. Crochet en J
5. Joint de caoutchouc
6. Vis et rondelles de blocage (ensemble de 4)
7. Ferrure de montage avec fil de mise à terre
8. Vis de la boîte électrique(en sus)
9. Rondelle de caoutchouc (optionnel)
10. Goupille de blocage
11. Vis de blocage de la demi-sphère
12. Demi-sphère
13. Vis et rondelles de blocage pour le boîtier supérieur du moteur (ensemble de 3 ou 4)
14. Tige avec fil de mise à terre
15. Cloche de plafond
16. Joint de caoutchouc(optionnel)
17. Boulon
18. Moteur
19. Rondelle de blocage
20. Goupille
21. Ecrou(optionnel)
22. Rondelle de blocage(optionnel)
23. Rondelle plate(optionnel)
24. Ecrou hexagonal
25. Rondelle plate
26. Rondelle de fibre
27. Joint de fibre pour ferrure
28. Pale
29. Ferrure de pale
30. Rondelle de blocage
31. Vis du moteur
32. Vis de la ferrure de pale



Moulé ferrure de pale **Estampé ferrure de pale**

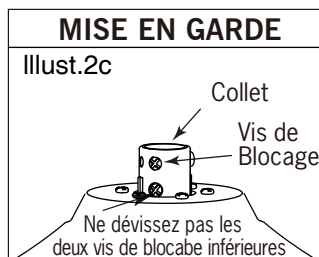
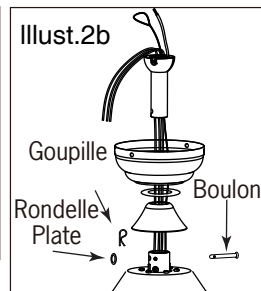
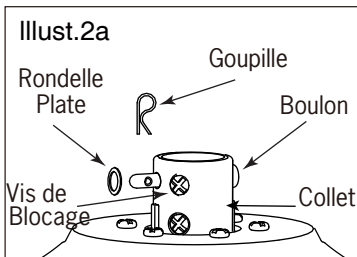
INSTALLATION

N.B.: Toutes les vis de blocage doivent être vérifiées avant de procéder à l'installation.

1. CHOIX DE MONTAGE

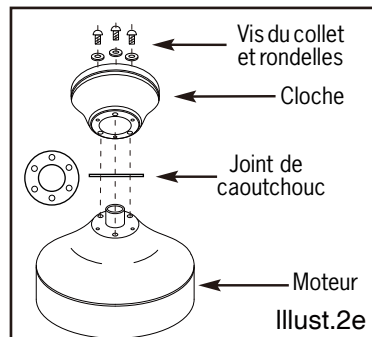
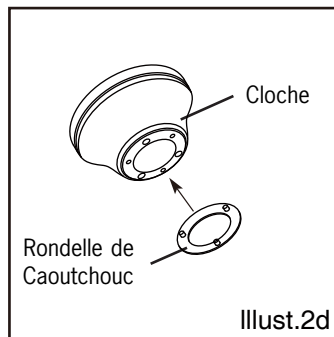
A MONTAGE AVEC LA TIGE

- A l'aide d'un tournevis Philips, dévissez les deux vis de blocage sur le collet.
- Placez la tige dans la cloche.
- Faufilez les fils sur le collet du moteur en travers de la cloche et de la tige.
- Placez la tige/cloche dans le collet en alignez les trous du collet avec ceux de la tige.
- Posez le boulon en travers du trou dans le collet et la tige. **"Attention de ne pas endommager ou couper les fils."**
- Serrez les rondelles plates, les rondelles de blocage, l'écrou et le boulon (En sus sur certains modèles). Sécurisez à l'aide de la goupille en l'in sérant en travers du boulon.
- Sécurisez la tige en place en serrant les vis de blocage supérieure.



B MONTURE PLAFONNIERE

- En option sur quelques modèles – Retirez la rondelle de caoutchouc de la cloche (voir Illust 2b)
- Retirez les vis du collet et les rondelles de blocage qui correspondent aux trous sur la cloche.
- Posez la cloche sur les trous du moteur et serrer avec les vis et les rondelles de blocage ôtées dans l'étape précédente. Assurez-vous que le joint de caoutchouc soit posé entre la cloche et le moteur.



8.

LUMINAIRE (Optionnel sur certains modèles)

A

LUMINAIRES DETACHABLES (veuillez vous référer à un des luminaires suivants pour connaître votre modèle.)

- Otez les vis et les rondelles du luminaire.
- Branchez les connecteurs du luminaire au connecteurs appropriés qui se trouvent dans le logement des interrupteurs du ventilateur.

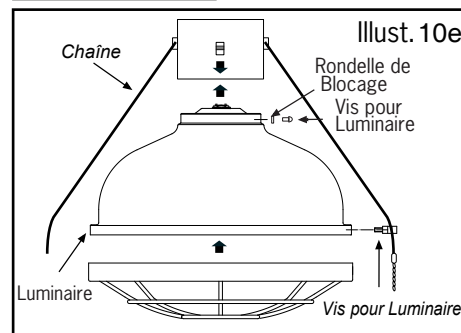
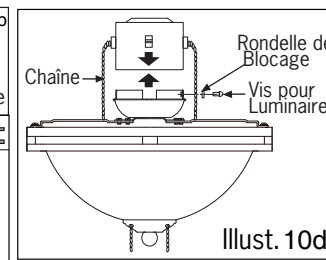
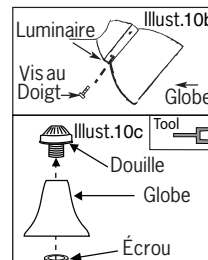
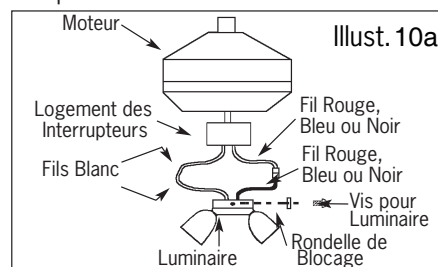
MISE EN GARDE:

ASSUREZ-VOUS QUE LE COURANT EST FERME AVANT DE FAIRE L'INSTALLATION

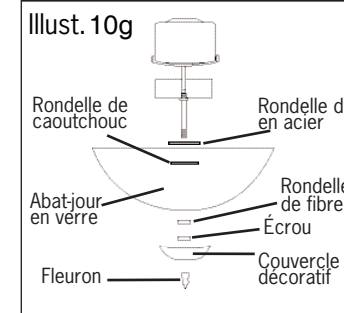
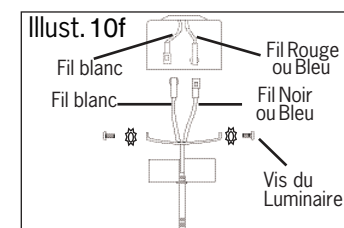
- Poussez les fils soigneusement dans le logement des interrupteurs en alignez les trous du luminaire avec ceux du logement. Utilisez les 3 vis ainsi que les rondelles pour fixer le tout en place.

- Posez les globes sur le luminaire et posez soit les vis (vissez au doigt) et écrou de finition ou tournez-les pour les globes de styles détachables. (Illust.10a, Illust.10b, Illust.10c, Illust.10d, Illust.10e, Illust.10h, Illust.10i, Illust.10j).
- Posez l'ampoule de type et wattage telle qu'indiquée sur le luminaire

- Assurez les douilles est attaché dans une direction parallèle du chaînes. Posez l'ampoule de type et de wattage repuise. Assurez les chaînes ne repos pas sur les ampoules.



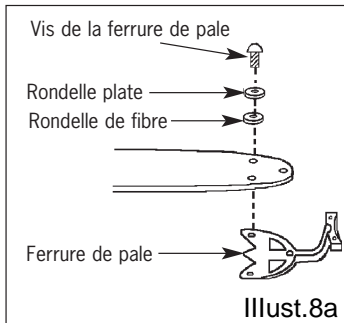
- Mettre une ampoule du type et de la puissance recommandée sur le culot de la lampe ou l'abat-jour. (Illust.10f, Illust.10g).
- Fixez l'abat-jour en place.



6. POSEZ LES FERRURES DES PALES AUX PALES

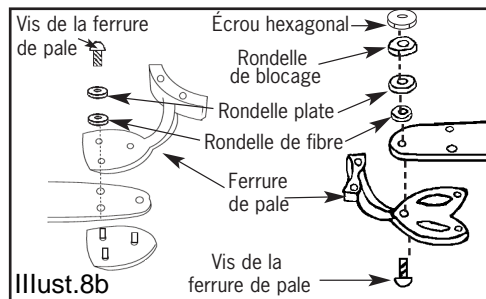
Moulé ferrure de pale

- Retirez l'ensemble de quincaillerie.
- Posez les vis de la ferrure de pale en travers de la rondelle plate, de la rondelle de fibre et de la pale.
- Alignez avec les trous correspondants sur la ferrure de pale.
- Répétez cette procédure pour les 2 autres vis et serrez.



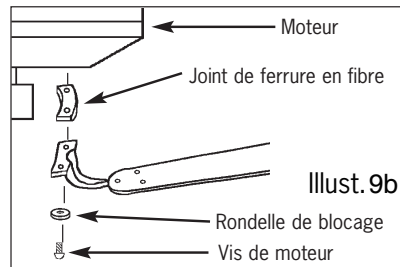
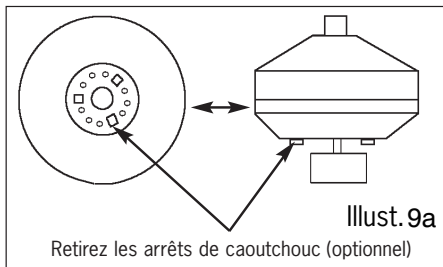
Estampé ferrure de pale

- Retirez l'ensemble de quincaillerie.
- Posez la vis de la ferrure de pale en travers du trou sur la ferrure.
- Alignez avec les trous correspondants sur la ferrure de pale.
- Posez la rondelle de fibre et la rondelle plate sur la vis de la ferrure de pale et fixez en place à l'aide de l'écrou hexagonal.
- Répétez cette procédure pour les 2 autres vis et serrez.



7. INSTALLATION DES PALES AU MOTEUR

- Sortez la quincaillerie contenant les vis de moteur, les rondelles de blocage et les joints d'étanchéité
- Posez des rondelles de blocage sur les vis de moteur, placez les vis de moteur sur les ferrures de pale, posez le joint de caoutchouc ou de fibre sur la vis et fixez au moteur. Assurez-vous que toutes les vis soient bien serrées.



N.B.: Trois arrêts de caoutchouc sont présents sur votre ventilateur (sur certains modèles) pour protéger le moteur durant l'expédition. Vous devez ôter ces arrêts avant de démarrer le moteur ou poser les pales.

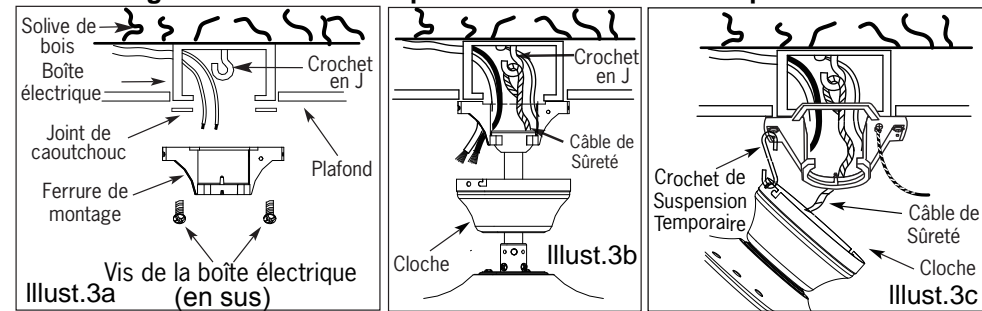
2. INSTALLEZ LA FERRURE DE MONTAGE

MISE EN GARDE: Pour réduire les risques d'incendies, de secousses Électriques ou de blessures corporelles, installez sur une boîte électrique listée UL / CSA ayant la notation, Acceptable pour supporter un ventilateur, et utilisez les vis fournies avec cette boîte électrique.

- Installez le crochet en J en travers du centre de la boîte électrique puis en travers de la solive de bois.
- Fixez la ferrure de montage et le joint de caoutchouc à la boîte électrique.
- Suspendez le câble de sécurité sur le crochet en J.
- Suspendre le ventilateur de la ferrure de montage.

Diagramme Illust.3b est pour une installation sur tige.

Diagramme Illust.3c est pour une installation semi-plafonnière.



3. BRANCHEMENT ELECTRIQUE

- Il existe plusieurs façons de brancher le ventilateur pour satisfaire à vos besoins spécifiques. Si un des moyens mentionnés ne correspond pas à ce que vous désirez, appelez-nous ou visitez votre détaillant le plus près afin d'obtenir une liste des accessoires de contrôles qui sont disponibles.

MISE EN GARDE

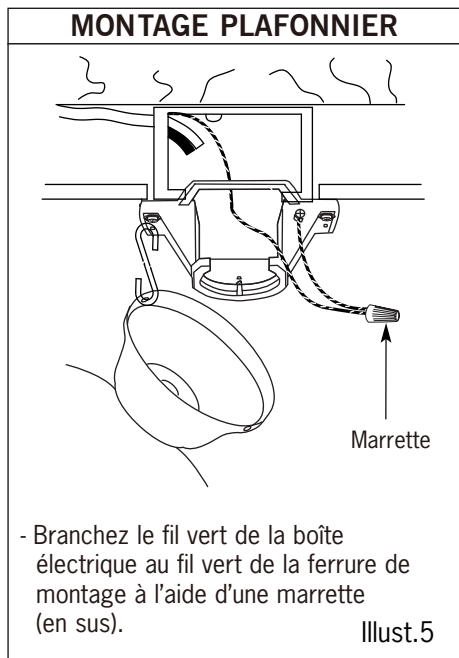
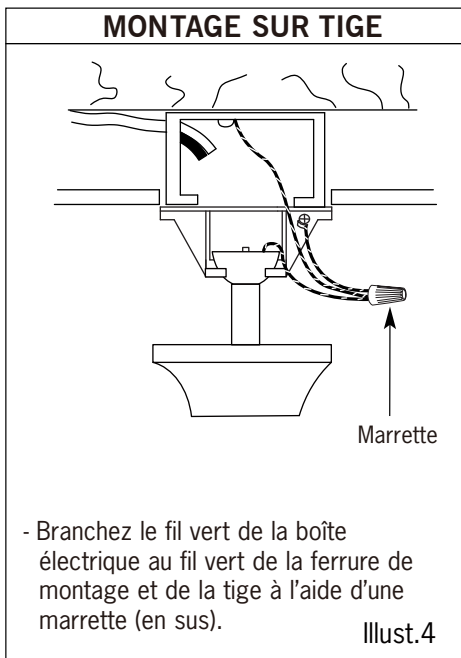
Fil Vert - Mise à terre
 Fil Noir (Ventilateur) - Pouvoir
 Fil Blanc (Ventilateur) - Commun
 Fil Bleu ou Rouge (Luminaire) - Pouvoir

Voir les mises en garde de la Pg. #2 avant de brancher votre ventilateur.

- Après avoir effectué les connexions, assurez-vous que les fils mises à terre et le conducteur d'équipement mise à terre soit séparés dans la boîte électrique des conducteurs sans mises à terre.
- Assurez-vous que les bouts des fils coupés soient pointés vers le haut et soient poussés soigneusement dans la boîte électrique.

3. BRANCHEMENT ELECTRIQUE

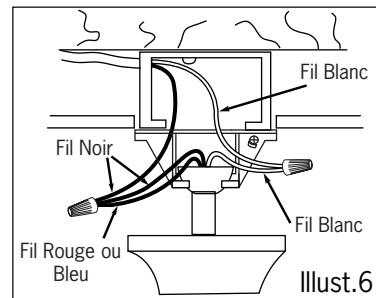
A BRANCHEZ LE FIL VERT (Mise à terre)



N.B.: Lorsque les fils sont branchés, pousser soigneusement les fils et la marrette dans la boîte électrique en vous assurant que les fils ne sont pas gênés par l'hémisphère ou la tige lorsque vous positionnez la ferrure de montage (pour installation avec tige seulement)

3. BRANCHEMENT ELECTRIQUE (Suite)

B BRANCHEZ LES FILS NOIR, BLANC ET ROUGE OU BLEU



- Branchez le fil blanc de la boîte électrique au fil blanc du ventilateur à l'aide d'une marrette (en sus).
- Branchez le fil noir de la boîte électrique au fil noir et au fil rouge ou bleu du ventilateur à l'aide d'une marrette (en sus).

N.B.: Le fil rouge ou bleu fournit le courant au luminaire si applicable.

N.B.: Lorsque les fils sont branchés, pousser soigneusement les fils et la marrette dans la boîte électrique en vous assurant que les fils ne sont pas gênés par l'hémisphère ou la tige lorsque vous positionnez la ferrure de montage (pour installation avec tige seulement)

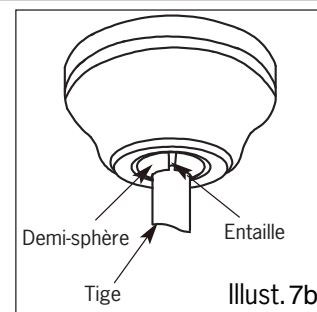
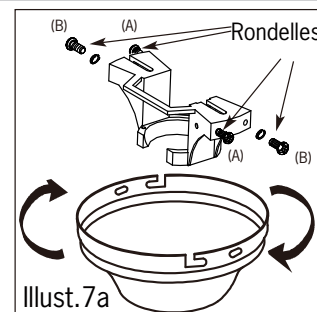
4. ASSEMBLAGE DU MOTEUR

- Posez les deux vis et rondelles sur la plaque de montage (indiqué par B sur le diagramme) qui correspondent avec les fentes sur la cloche.
- Vissez en deux tours.
- Placez la cloche sur la plaque de montage en alignant les fentes aux vis, indiquées par B sur le diagramme, et tournez en bloquant en place.
- Mettre en position et serrez en place à l'aide des deux vis et rondelles (indiquées par A sur le diagramme) et serrez alors les deux vis (indiquées par B sur le diagramme).

5. ENGAGEZ LA DEMI-SPHERE (Montage sur Tige Seulement)

- Tournez soigneusement le ventilateur jusqu'à ce la fente de la demi-sphère soit engagée dans l'entaille de la cloche.

MISE EN GARDE: Omettre d'insérer la languette dans l'ouverture prévue pourrait endommager les fils et causer une secousse électrique ou un incendie.



N.B.: Lorsque vous installez un ventilateur sur un plafond en pente, assurez-vous que l'entaille sur la ferrure soit face à la pente du plafond. Dépendant de l'angle de cette pente, une tige plus longue peut être requise afin d'empêcher les pales de cogner le plafond.