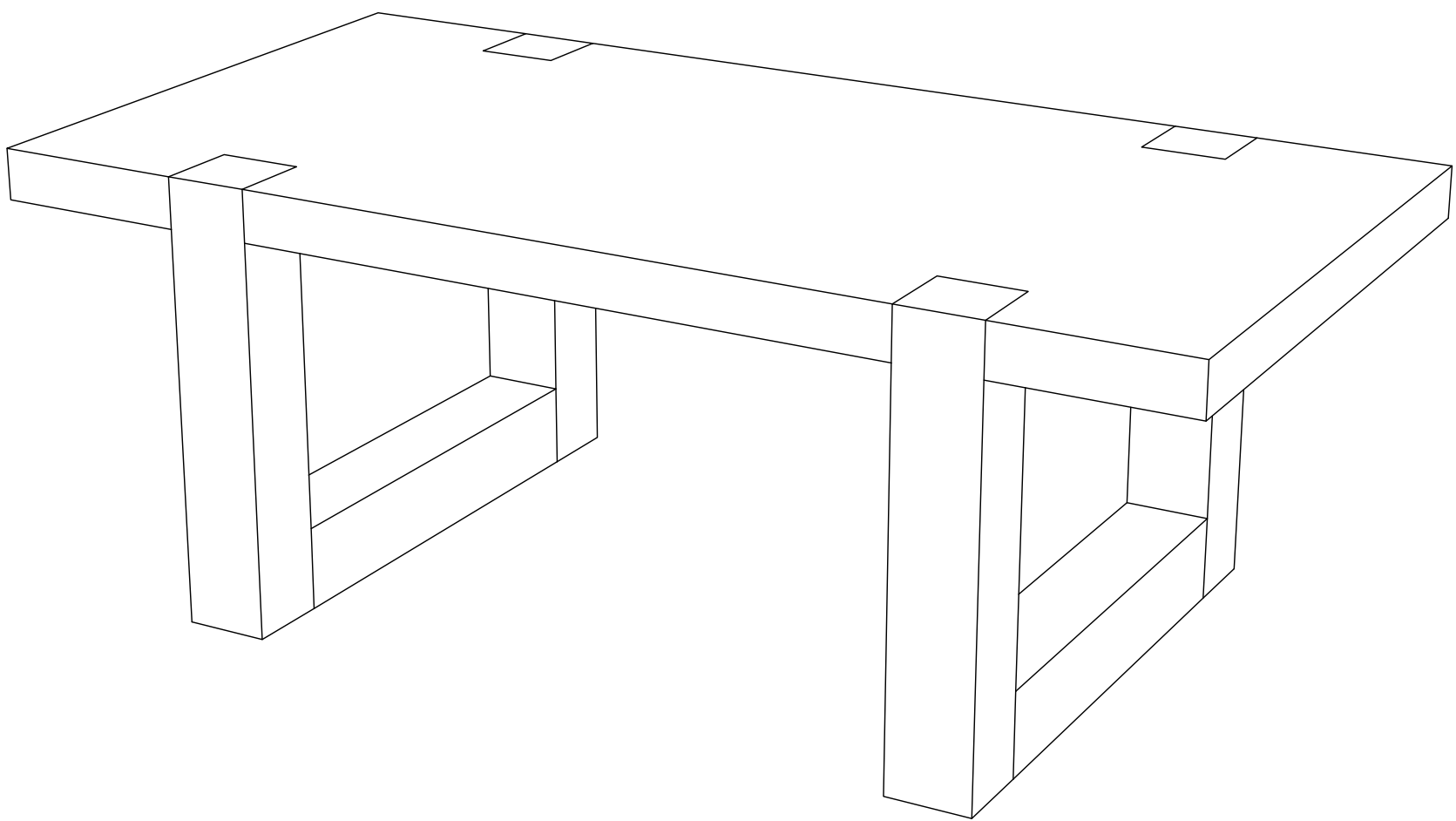
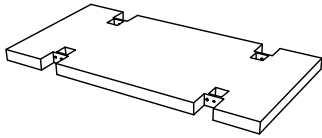
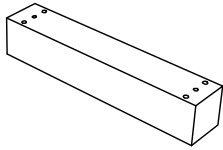
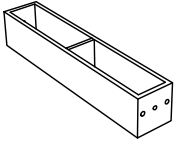
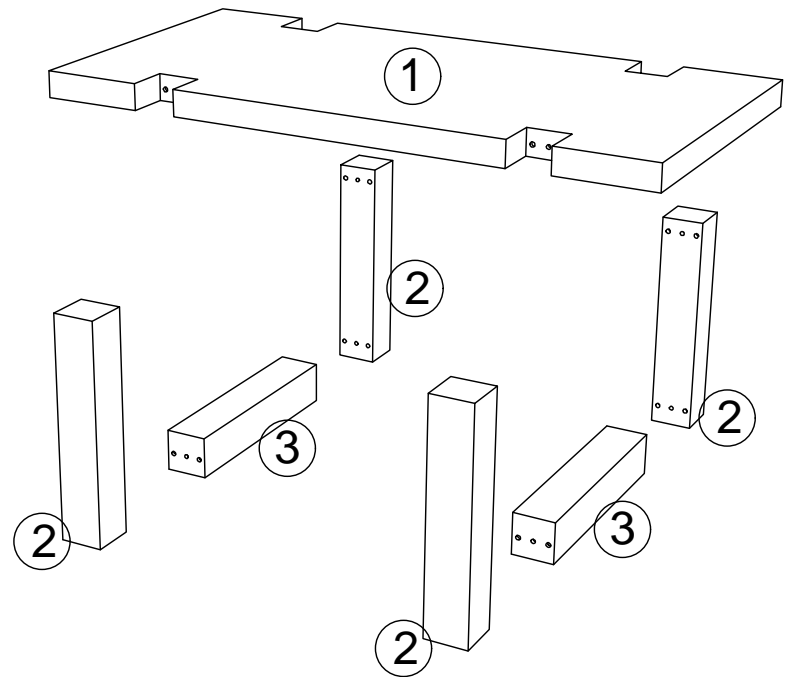


ASSEMBLY INSTRUCTION

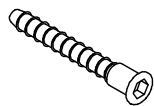
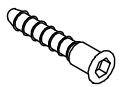


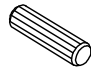
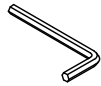

Parts list

NO.	Description	QTY
①		1
②		4
③		2

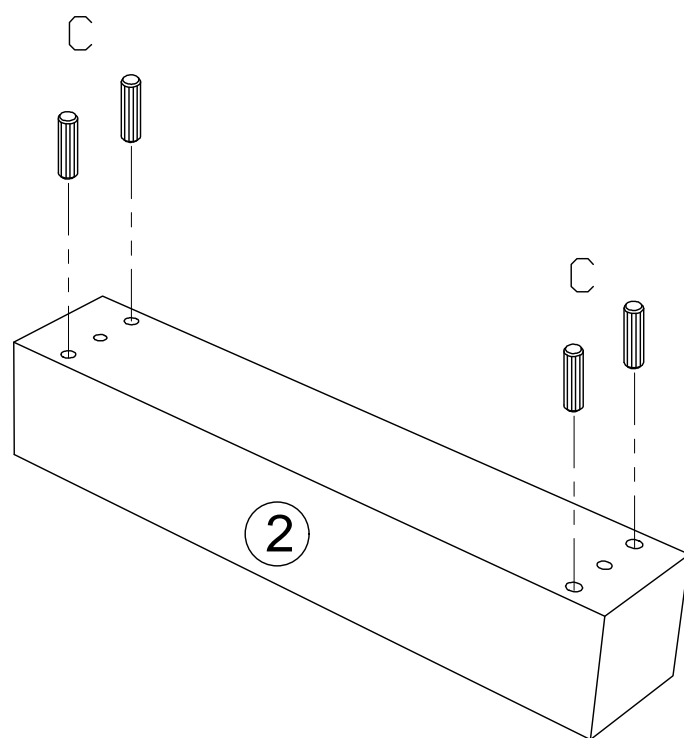


Fixing List

NO.	Description	Size(MM)	QTY
A		60mm	4
B		40mm	4

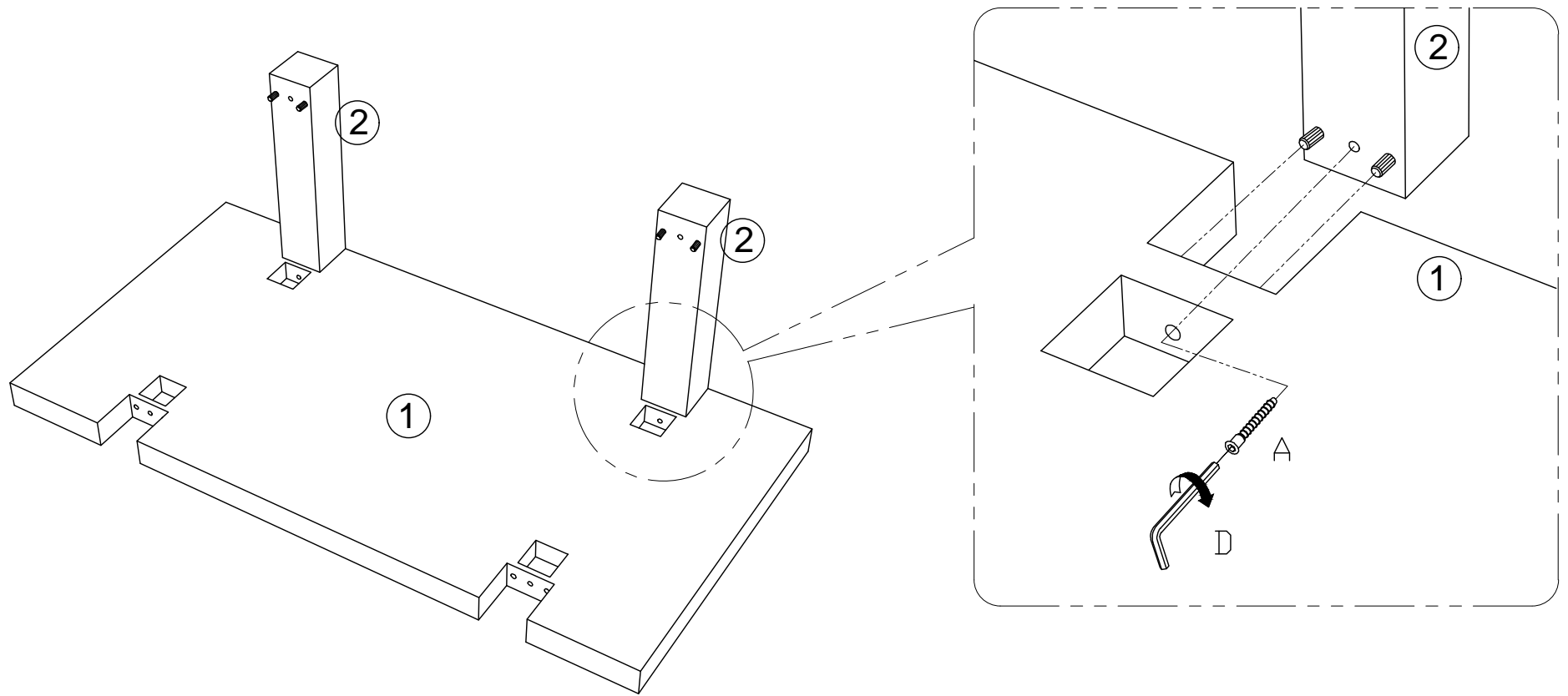
NO.	Description	Size(MM)	QTY
C			16
D			1
E			4

Step 1

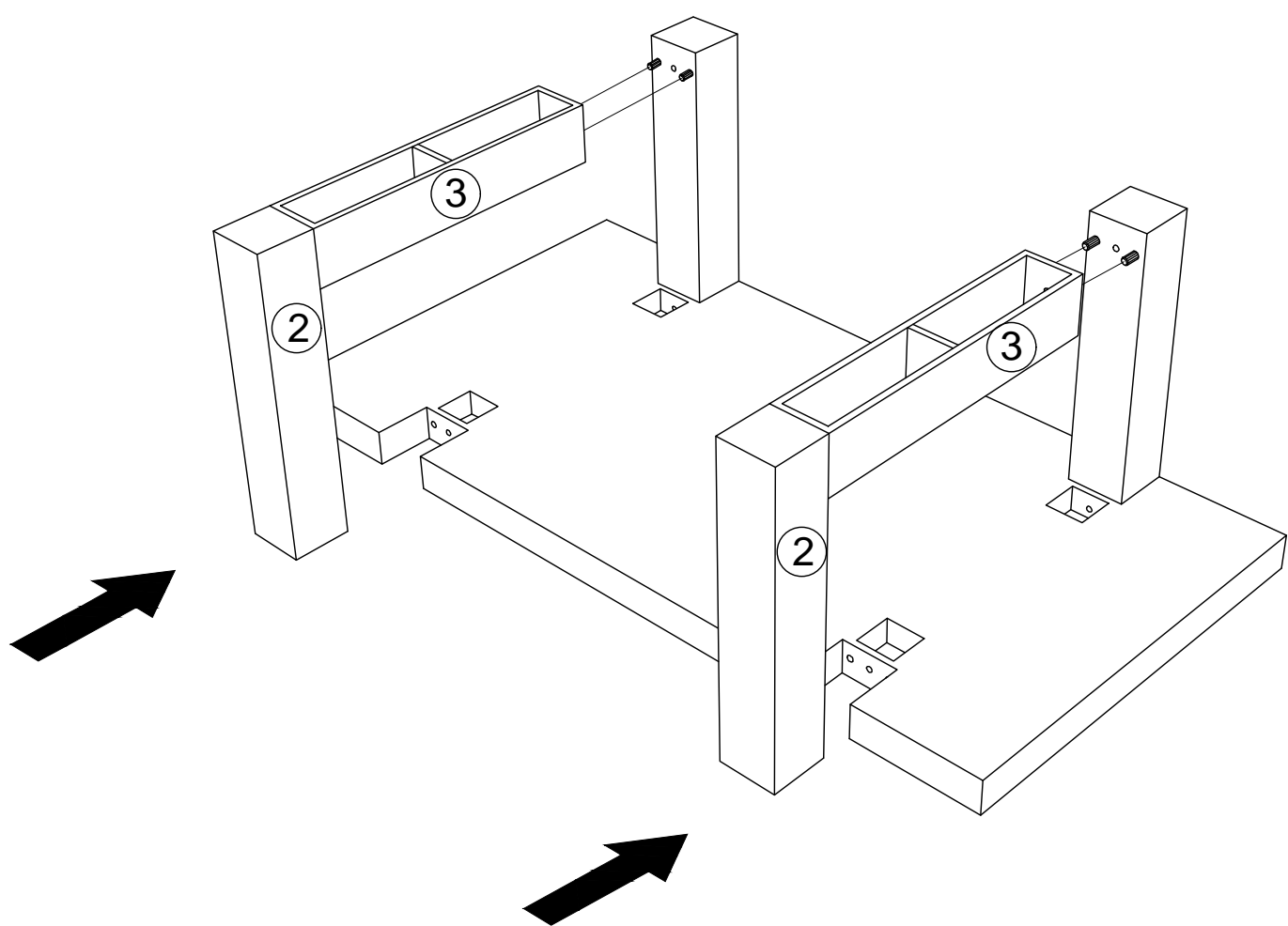


x4

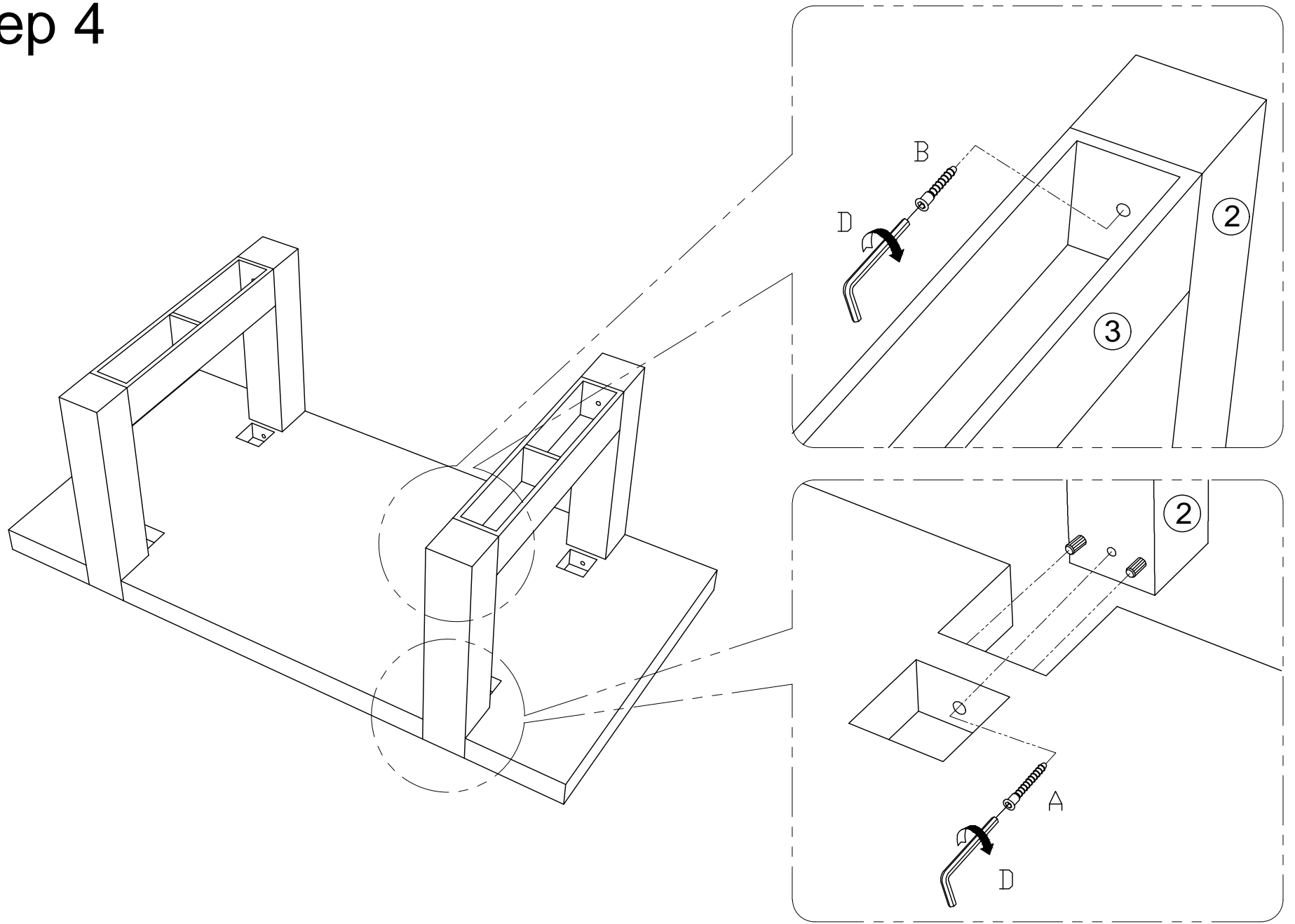
Step 2



Step 3



Step 4



Step 5

