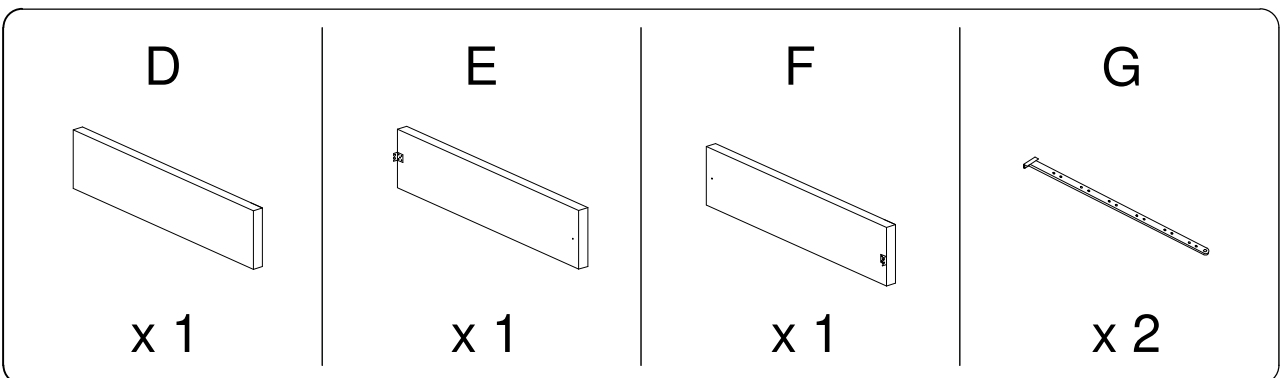
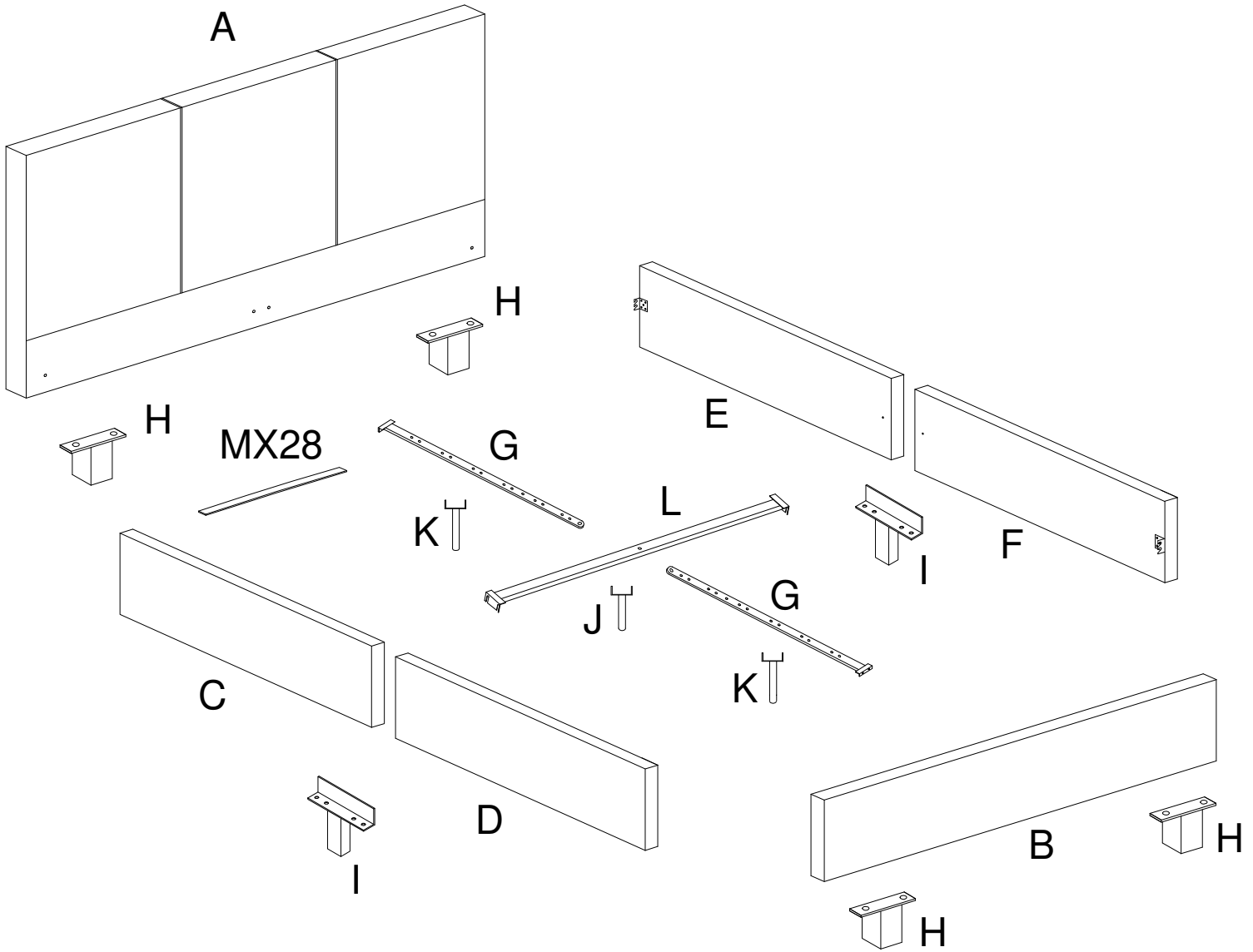
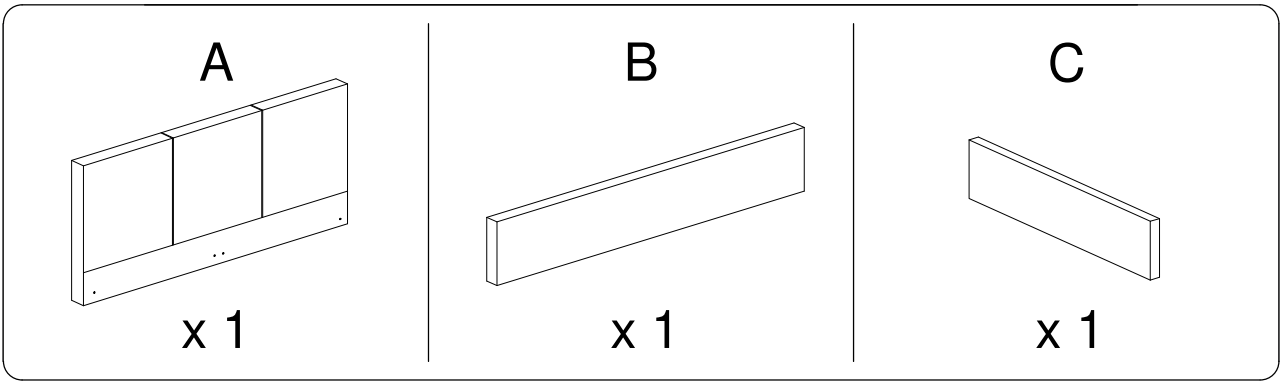
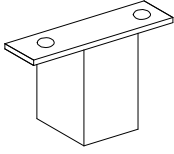


Assembly instructions for step 1/6:

- Tools:** A circle containing an Allen key and a wrench, and a crossed-out power drill icon, indicating that a power drill is not to be used.
- Warning:** A triangle with an exclamation mark.
- Time:** A clock icon with the text "60'" below it, indicating a 60-minute assembly time.
- Personnel:** A stick figure icon with the number "2" below it, indicating that two people are required for assembly.
- Material:** A circle showing a rectangular block being placed on a surface with a textured pattern, and a crossed-out icon of a block being placed on a smooth surface, indicating that the bed should be placed on a soft, textured surface.

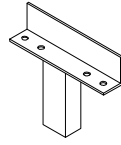


H



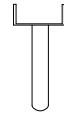
x 4

I



x 2

J



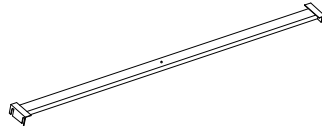
x 1

K



x 2

L



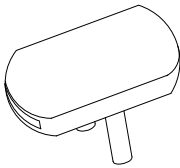
x 1

M



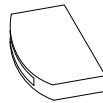
x 28

N



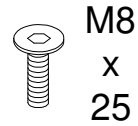
x 14

O



x 28

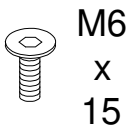
P



M8  
x  
25

x 8

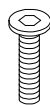
R



M6  
x  
15

x 24

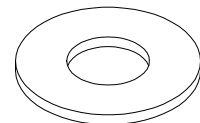
S



M6  
x  
30

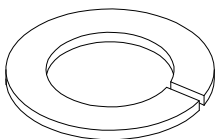
x 3

T



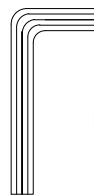
x 8

U



x 8

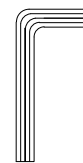
W



M5

x 1

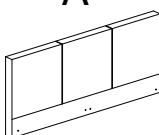
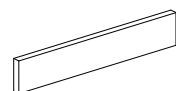
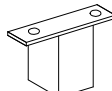


X

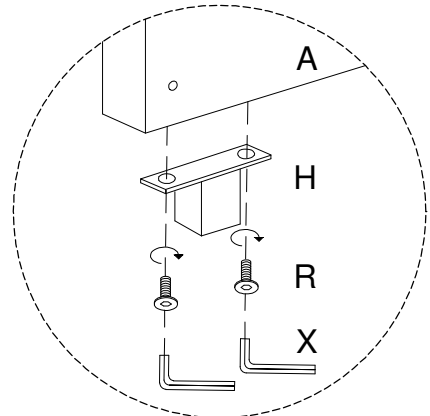
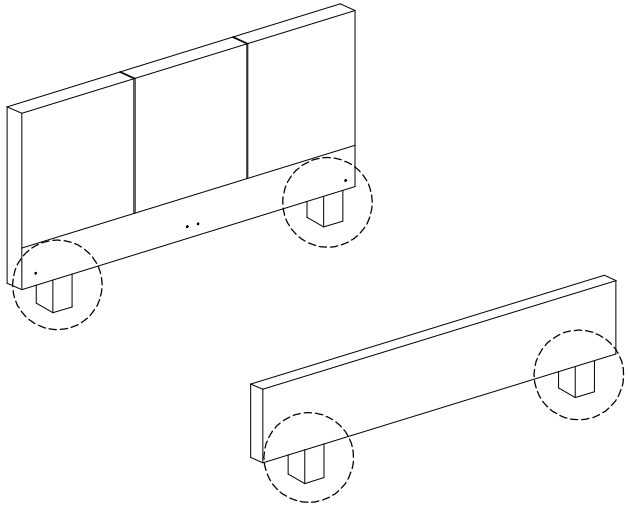


M4

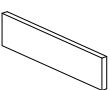
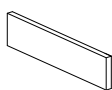
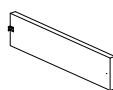
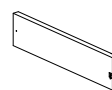
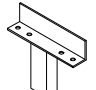


x 1

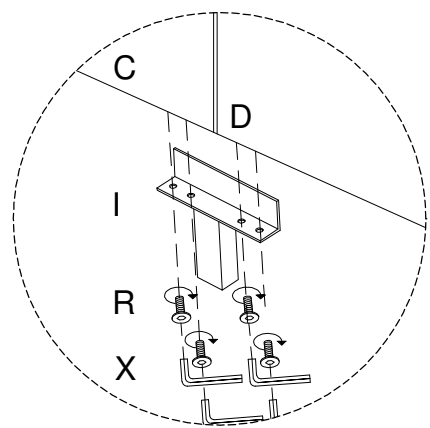
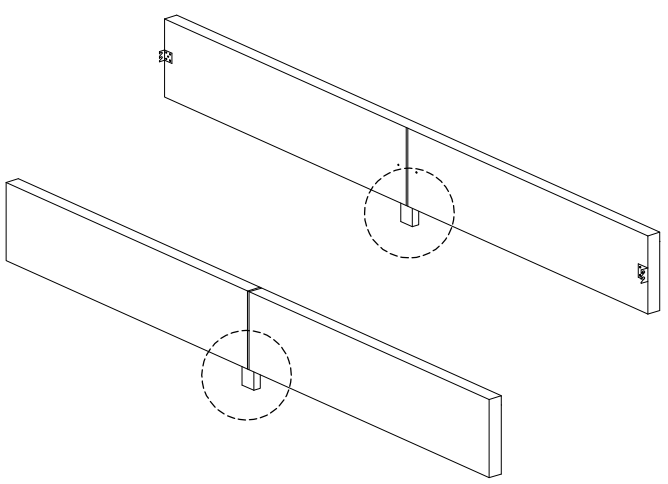
1

|  |  |  |  |  |
|--|--|--|--|--|
| <b>A</b><br><br>x 1 | <b>B</b><br><br>x 1 | <b>H</b><br><br>x 4 | <b>R</b><br><br>x 8 | <b>X</b><br><br>x 1 |
|--|--|--|--|--|




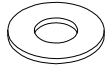





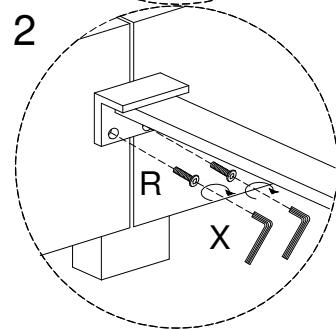
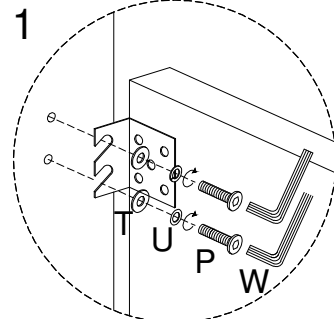
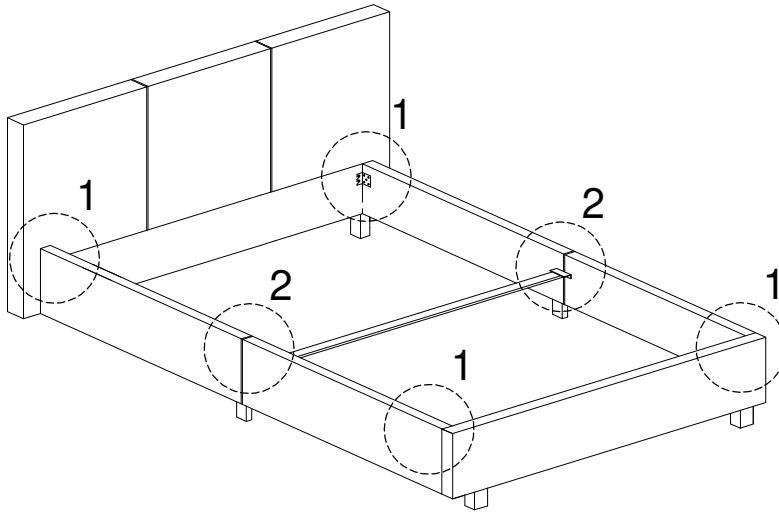
2

|  |  |  |  |   |  |  |
|--|--|--|--|---|--|--|
| <b>C</b><br><br>x 1 | <b>D</b><br><br>x 1 | <b>E</b><br><br>x 1 | <b>F</b><br><br>x 1 | <b>I</b><br><br>x 2 | <b>R</b><br><br>x 8 | <b>X</b><br><br>x 1 |
|--|--|--|--|---|--|--|

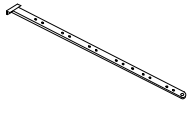
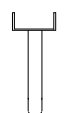
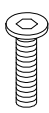



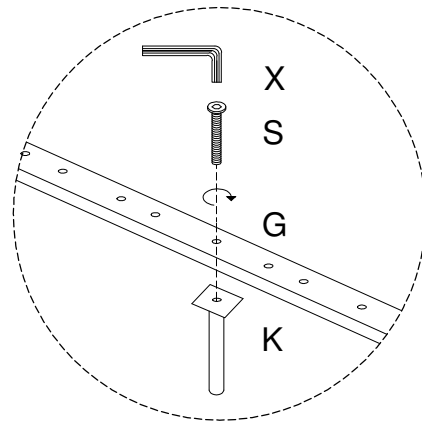
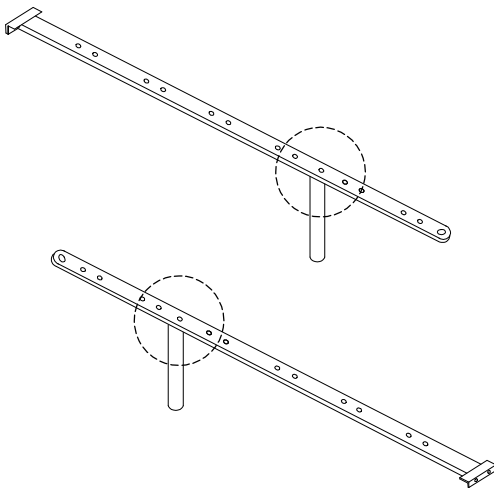
3

|   |  |  |   |  |  |  |
|---|--|--|---|--|--|--|
| L   | R  | P  | T   | U  | W  | X  |
|  |  M6<br>x 15 |  M8<br>x 25 |  |  |  M5 |  M4 |
| x 1   | x 4  | x 8  | x 8   | x 8  | x 1  | x 1  |



4

|   |   |   |  |
|---|---|---|--|
| G   | K   | S   | X  |
|  |  |  M6<br>x 30 |  M4 |
| x 2   | x 2   | x 2   | x 1  |



5

J



x 1

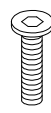
R



M6  
x 15

x 4

S



M6  
x 30

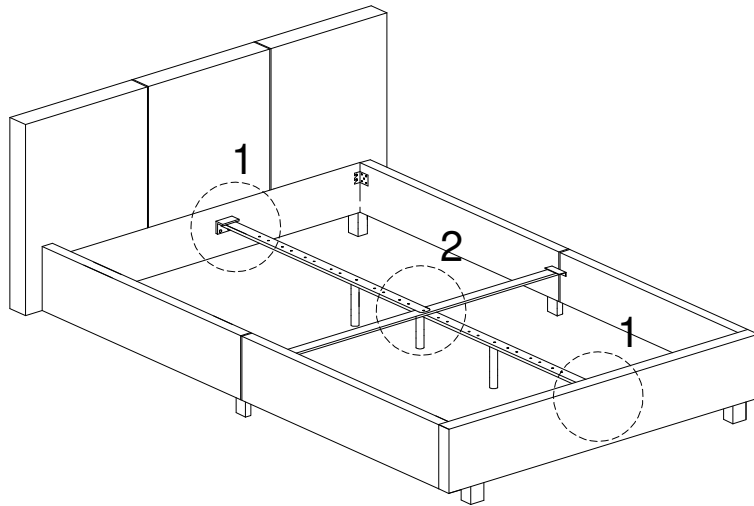
x 1

X

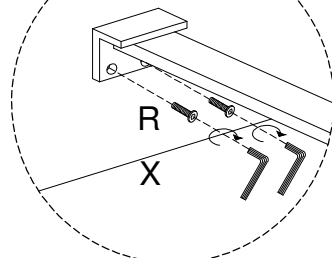


M4

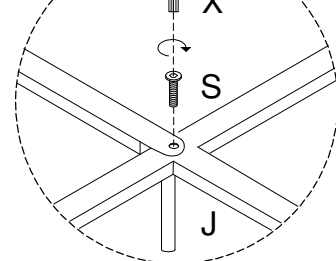
x 1



1



2



6

M



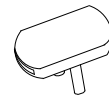
x 28

O

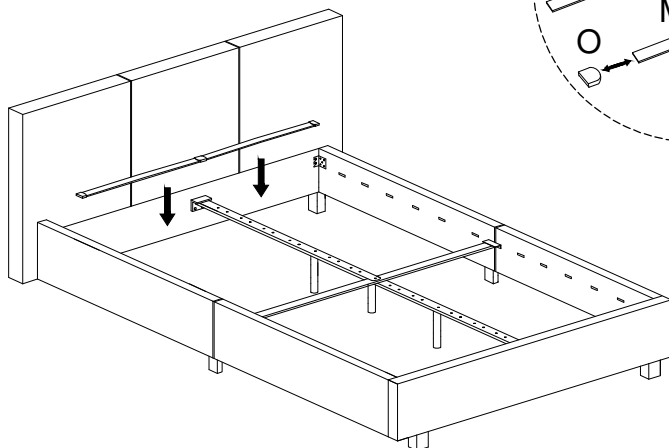


x 28

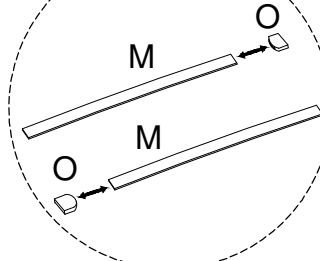
N



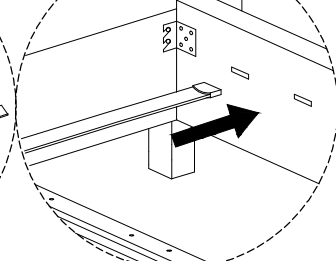
x 14



1



2



3

