

BAYTINA SMART TOILET

INSTRUCTIONS FOR USE AND INSTALLATION



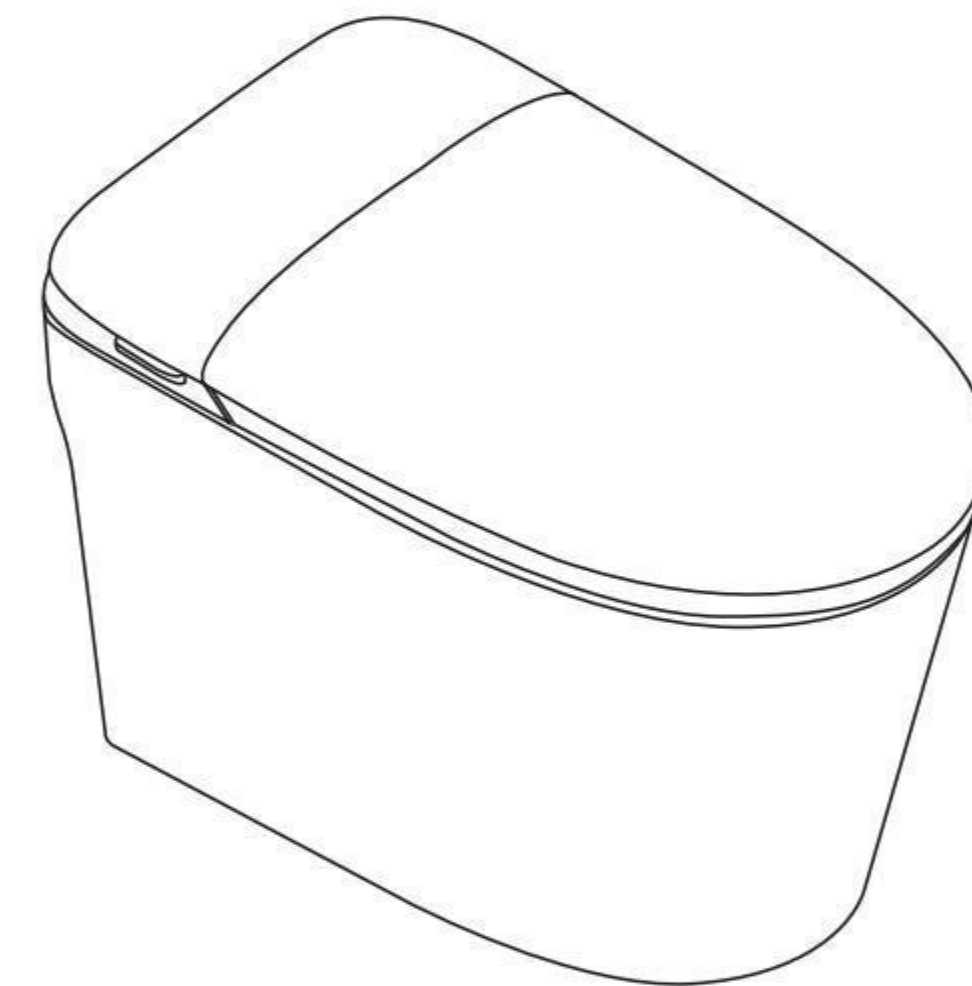
Foshan Beitina Technology Co.,LTD.

ADD: No. 7, Floor 1, Building 18,
Casa Ceramics and Sanitary wares Mall,
Jihua 4th Road, Chancheng District, Foshan City,
Guangdong Province, China

Made in China

Baytinabathroom@gmail.com

The company reserves the right to interpret this instruction manual. If there are changes to products and technical parameters without further notice, please refer to the latest version of the instruction manual.



Model: TINA-02 S

PRE-READING INSTRUCTIONS

1. Please read this manual carefully before installation and use.
2. The appearance of the product is subject to the actual.
3. For product functions, please refer to the configuration of the model actually purchased.
4. Please keep the instruction manual properly and take it out to read when necessary.

TABLE OF CONTENTS

1 - Configuration functions sheet	2
2 - Accessories List	4
3 - Product Introduction	5
4 - Safety Precautions	6
5 - Installation Precautions	9
6 - Installation Step	11
7 - Button Operation Instructions	15
8 - Troubleshooting	16
9 - Maintenance	17
10 - Product Specifications	18
11 - Water Efficiency And Energy Efficiency	20
12 - Temperature Buzzer Alert	20
13 - Instructions On Environmental Protection	21

1- CONFIGURATION FUNCTIONS SHEET

Category	Functions	Model	TINA-02 S
Power	Voltage 110V		●
Flush	Flush by Foot Sensor		●
	Flushing After Leaving seat		●
	No-power Flush		●
Wash mode	Rear/Front wash		—
	Massage wash		—
	Wand Position Adjustment		—
	Water Pressure Adjustment		—
	Washing Water Temp Adjustment		—
Heated Seat	Seat temp adjustment		●
	Antibacteria seat		●
Dryer	Air temp adjustment		—
	Drying Air strength		—
Lid-Seat Operation	Microwave sensor		—
	Auto Lid/Seat function		—
Comfort Functions	Deodorization		—
	Wet The Toilet Bowl After Seated		●
	Auto wash Mode		—
	User memory		—

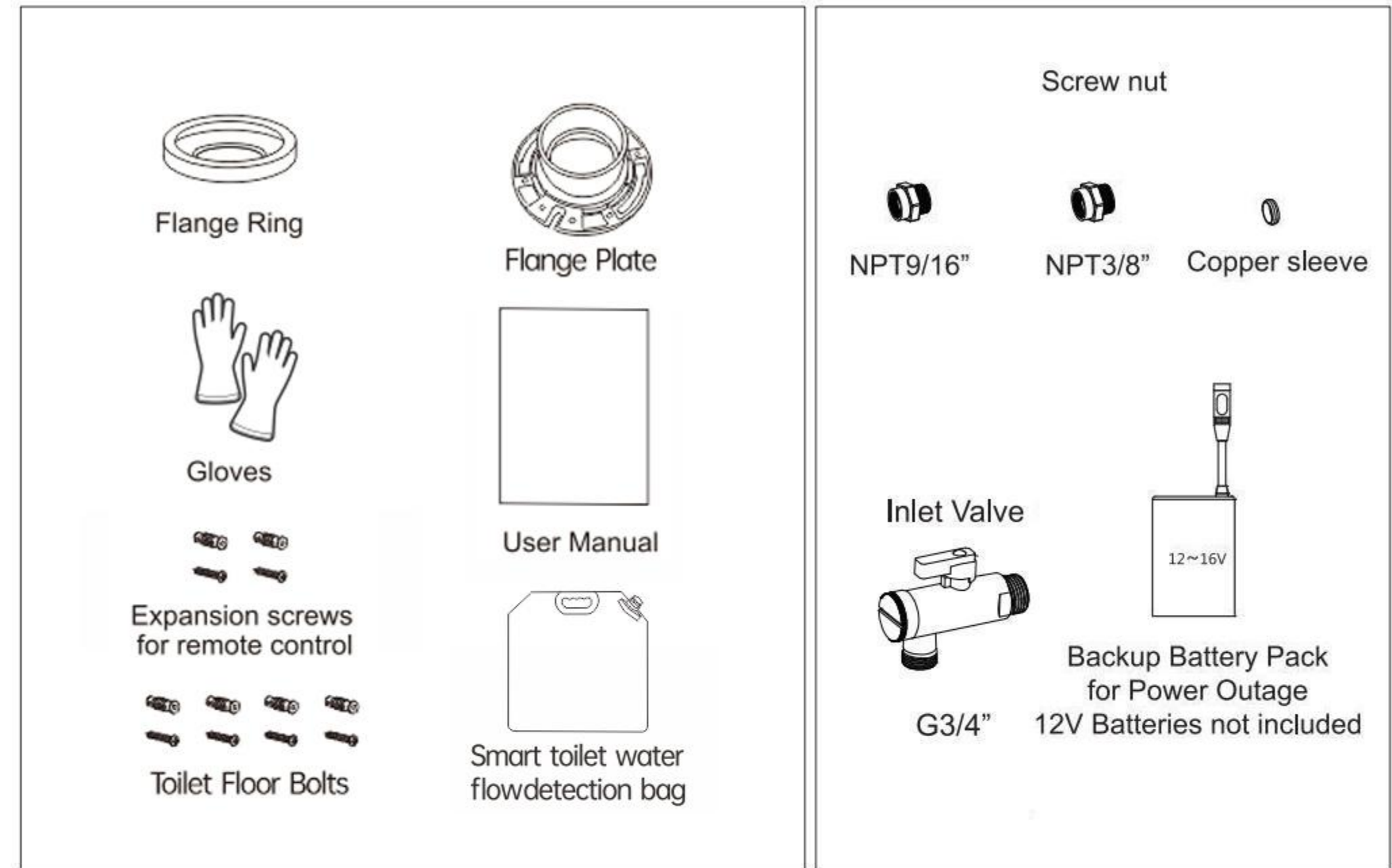
Note: “●” represents that the product has this function;
 “—” represents that the product does not have this function.

1- CONFIGURATION FUNCTIONS SHEET

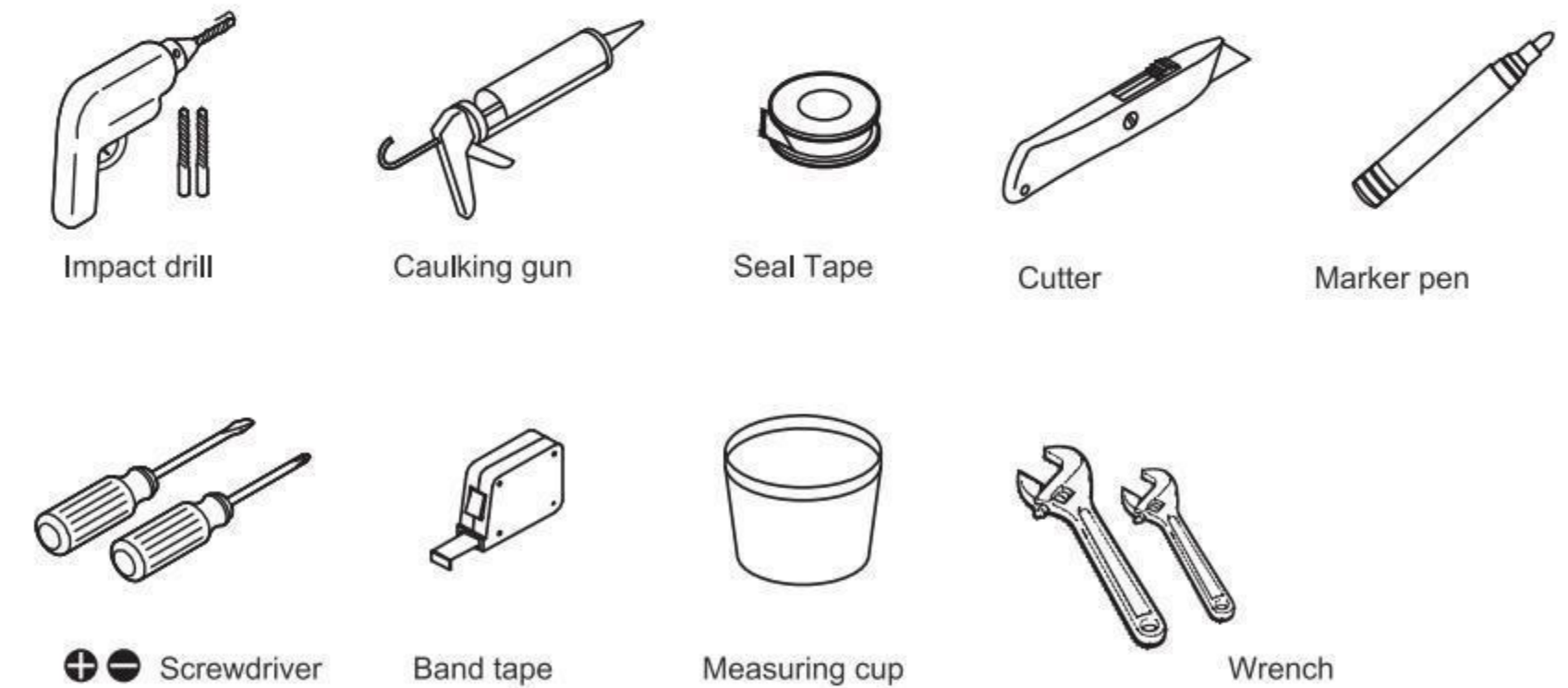
Category	Functions	Model	TINA-02 S
Comfort Functions	Self-cleaning		
	Night light		●
	LED Display		
UI Control	Button control		●
	Remote control		
Accessories	Ambient light		
	Angle valve filtration		●
	Externsl filtration		—

Note: "●" represents that the product has this function;
 "—" represents that the product does not have this function.

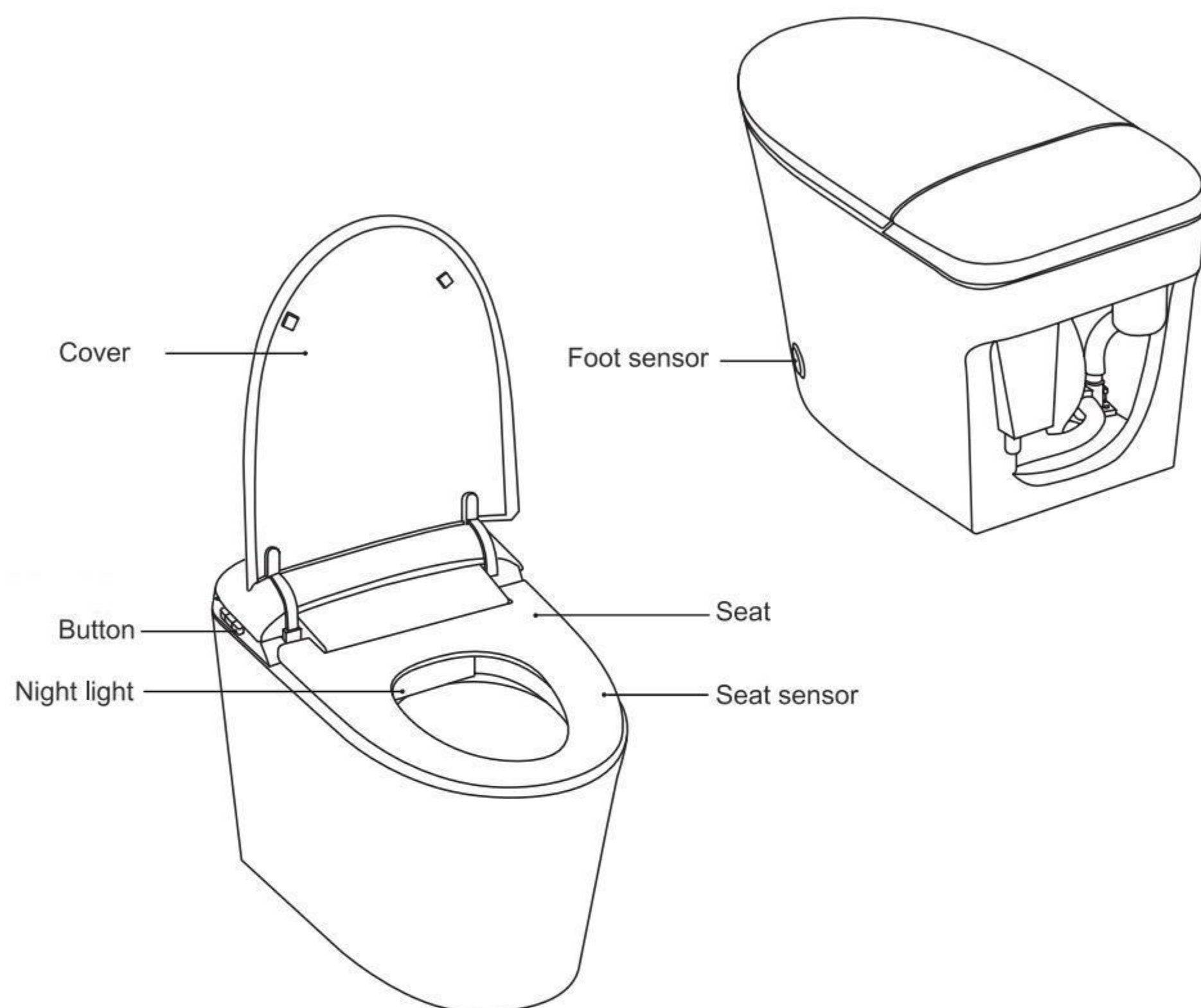
2 - ACCESSORIES LIST



3 - TOOLS PREPARATION



3 - PRODUCT INTRODUCTION




Note: Above parts are just one of the appearance for smart toilet. Different models may have slightly different appearance and functions. Please refer to the actual product.

4 - SAFETY PRECAUTIONS

Be sure to carefully read this "Safety Precautions" document before beginning installation.

Please comply with all safety warnings and precautions.

 Warning This symbol indicates misuse may result in death or serious injury.

 Caution This symbol indicates misuse may result in injury or physical damage.





 Warning

- Do not use this product with any power supply other than the one specified. Doing so may result in heat or fire.
- When installing this product, comply with the regional codes and standards on installation work. All-pole disconnection incorporated the fixed wiring shall be provided.
- Do not turn on the electricity and water supply for the product until installation work is complete.
- Before installing this product, keep the main inlet valve closed to avoid property damage caused by water leakage.
- If the new toilet is not installed immediately, temporarily place a rag in the floor to avoid the risk of hazardous gases.









 CAUTION

- Comply with all local plumbing and electrical codes . Power and water pipes should be wall mounted.
- The length of power cord is approximately 1.5 meters. install the power socket within the reach area of power cord . Socket should be higher than floor where it will not be easily wet by water.
- Inspect the smart toilet carefully to check if there is any damage.
- In winter, when the product is transported over long distances or stored for a long time, the remaining water in the product may freeze. in order to prevent damage caused by freezing, the product must be placed in a warm room for 30 minutes to allow it to defrost naturally before installation as well as water and electricity connection.




4 - SAFETY PRECAUTIONS

 Warning	
 Must be obeyed	<ul style="list-style-type: none"> ● Refrain from sitting on the seat for long periods. it may cause low-temperature burns. To prevent the following persons from getting a moderate temperature burn during use, other person should turn off the toilet seat heater. <ol style="list-style-type: none"> ① Young children, the aged and other users unable to set the temperature appropriately themselves. ② The ill, physically disabled and others who do not have freedom of movement. ③ Those using any medicines that cause drowsiness (sleeping or cold medicine).- those who have been drinking heavily, anyone severely fatigued and anyone else liable to fall asleep. ● Make sure the power plug is fully plugged into the outlet. If not fully inserted, it may cause electric shock or fire. Do not connect the power supply when cleaning
	<ul style="list-style-type: none"> ● Do not use the product if a malfunction occurs. in case of breakdown or other problem, be sure to cut off power by means such as unplugging the power plug.  ● Do not continue to use the product if it malfunctions In the following situations, please unplug the power plug and close the water inlet valve. ● Do not do anything that may damage the power cord, power plug. Using a damaged power cord may result in a fire, electrical shock, heat or short. <ol style="list-style-type: none"> ① Do not strike, yank, twist, excessively bend, damage, alter, or heat the power cords. ② Also, do not place anything heavy on, bind or pinch the power cords. ● Do not use other water than allowed by the laws and ordinances of the region of use. Only Use drinking water. Do not use seawater or recycled water. Doing so may cause irritation to the skin and malfunction. ● Patients with pacemakers should not use this product. Otherwise, electromagnetic interference will be generated, which may damage the function of the pacemaker and cause life-threatening consequences. ● Keep cigarettes and other open flames away from the product. Otherwise it may cause fire accidents.  ● The appliance is not to be used by persons (including children) with reduced physical, sensory or mental capabilities, or lack of experience and knowledge, unless they have been given supervision or instruction. Do not apply strong force, mechanical shock, step on or stand on the toilet seat, toilet lid or main unit. Doing so may damage the product and cause injury or water damage.

4 - SAFETY PRECAUTIONS

 Notice	
 Forbidden	<ul style="list-style-type: none"> ● Do not lean against the toilet lid.  ● Do not expose to direct sunlight. (Doing so may cause changes in color, irregular heated seat temperature, remote control malfunction or the product malfunction due to the change in temperature.)  ● Please do not impact the ceramic bowl to prevent damage and leakage. ● Do not fold or crush the water supply hose; do not damage by cutting with a sharp object. Doing so may cause water leaks. ● Do not flush anything other than bodily waste and toilet paper. Also, do not flush too much toilet paper, Doing so may clog the toilet, causing waste water overflow and water damage. ● Do not close the lid and toilet seat violently. Doing so may damage the product.
	<ul style="list-style-type: none"> ● To prevent a sudden water leak, do not remove the water filter drain valve when the shutoff valve is open. When installing the water filter drain valve, make sure that it is securely tightened in its proper position. Failure to securely tighten it may cause a water leak. ● Never operate this product if it has a damaged cord or plug, is not working properly, has been dropped or damaged, or has been dropped in water. ● When the ambient temperature is likely to drop to 32 °F (0 °C) or lower regulate the room temperature to prevent damage to the pipes and hoses.
	<ul style="list-style-type: none"> ● Do not wipe the product body with dry cloth or toilet paper otherwise it may cause scratches on the product. ● Do not use it when water and electricity are not connected, otherwise the product won't function properly and usage will be affected. ● Do not lift up this product by the toilet seat or lid.
	<ul style="list-style-type: none"> ● Do not pour urine on the toilet body and nozzle, otherwise it may cause malfunction or cause pink or brown stains.  ● Do not touch the power plug during thunderstorms. Doing so may cause electrical shock.  ● When traveling or not using the product over an extended period of time, drain the water out of the main unit and the water supply hose after closing the water shutoff valve, and pull the power plug from the outlet 
	<ul style="list-style-type: none"> ● Must be obeyed 

5 - INSTALLATION PRECAUTIONS

	<ul style="list-style-type: none"> ● Never disassemble, repair or alter, Doing so may cause fire, electrical shock, overheating, short circuit or breakdown.
	<ul style="list-style-type: none"> ● Do not pour water on the product and plug, otherwise it may cause fire or electric shock.
	<ul style="list-style-type: none"> ● This is an electrical product. Do not install it anywhere water is likely to get on the product or anywhere with humidity high enough that water is likely to form on the surface of this product. When using the product in a bathroom, install a fan or ventilation port and ensure good air flow through the bathroom. ● Please set the power socket as follows. Failure to follow these requirements may cause fire or electric shock. <ol style="list-style-type: none"> ① The rated power of the socket must be higher than 2KW; ② The socket should be installed at a place higher than 0.8m from the ground, as far away from the bathtub or shower as possible.



- Do not use loose or faulty sockets, as this may cause fire or electric shock.

Water Supply Conditions

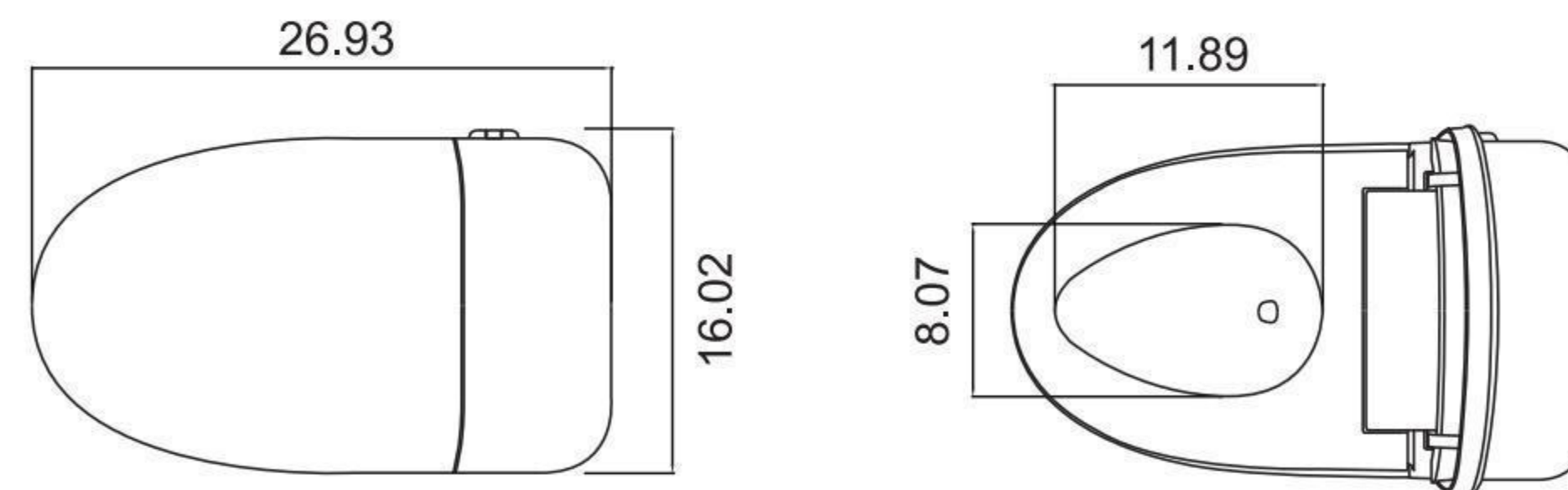
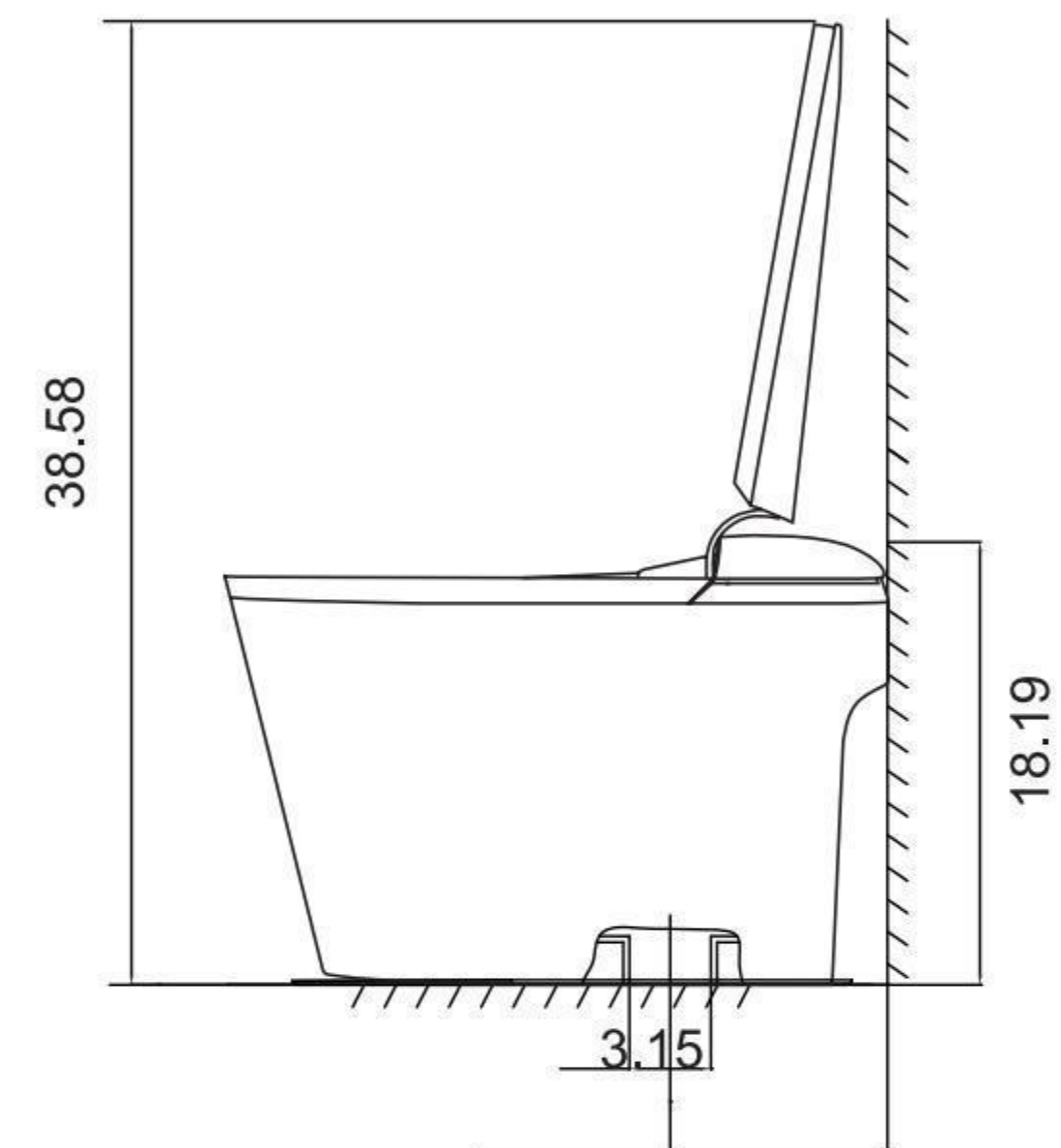
For Model with Tank

1. The water pressure for flushing should be $>0.03\text{MPa}$ (3kaf cm^2).
 2. The water pressure for cleaning should be $>0.075\text{MPa}$ (0.75kgf/cm^2) and the flow rate should be $>1\text{L/min}$.
- If above conditions are not met, the corresponding functions can't be achieved normally: when other products such as faucets are used at the same time, the conditions must also be met.

5 - INSTALLATION PRECAUTIONS

PRODUCT DIMENSION

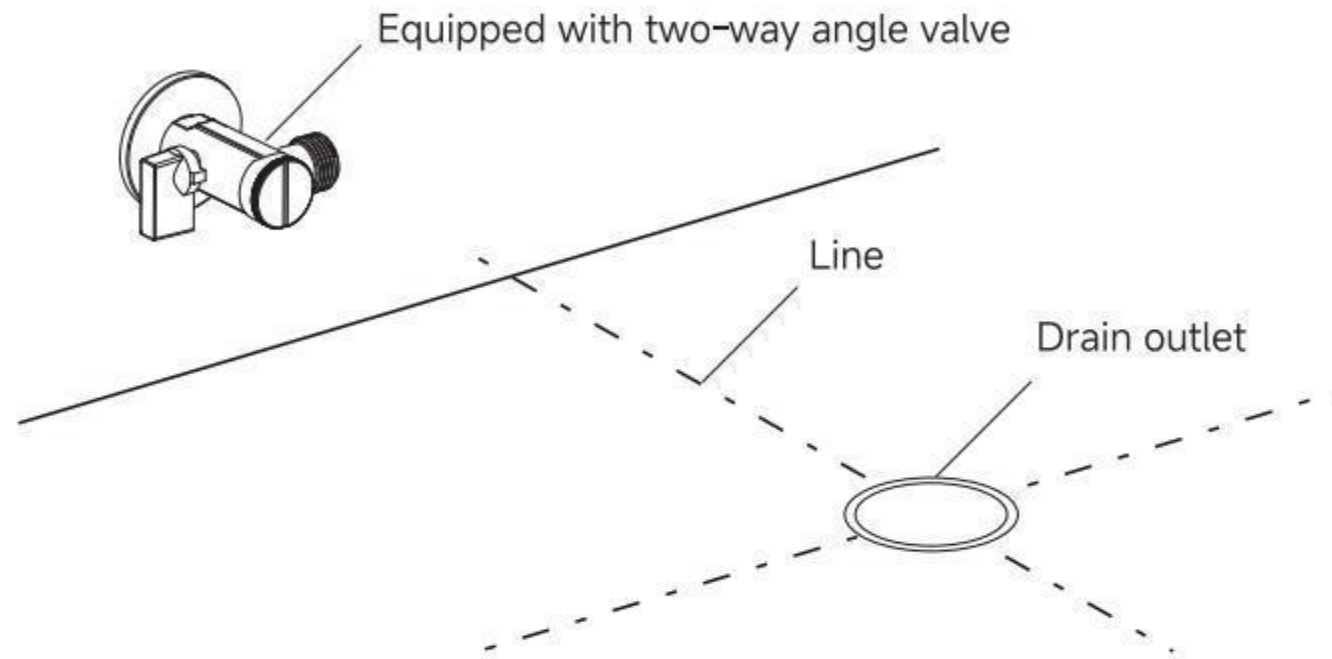
Unit: in



6 - INSTALLATION STEP

Install the matching two-way angle valve

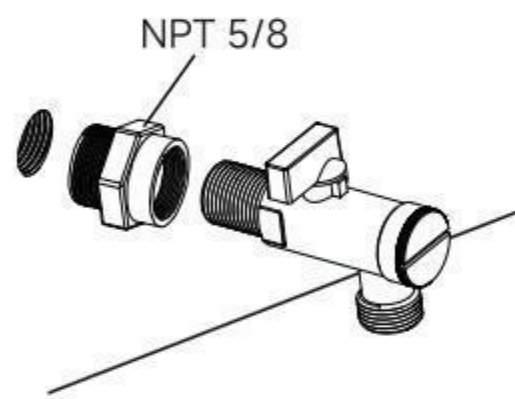
Mark the center line of the sewage outlet on the ground, and install a three-way angle valve at a suitable position on the wall according to the size of the toilet.



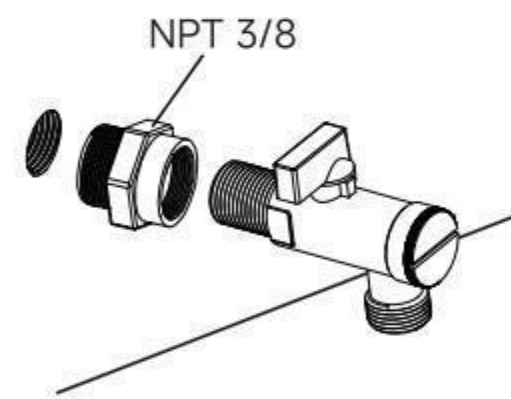
Note:

1. Please use the supplied angle valve when installing this toilet. Use of another angle valve not including a filter may result in blockages in the toilet and bidet waterways.
2. If replacing an existing angle valve, please contact a professional for installation.

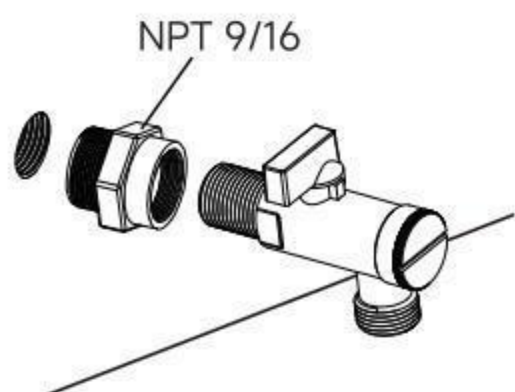
Installation Method 1:



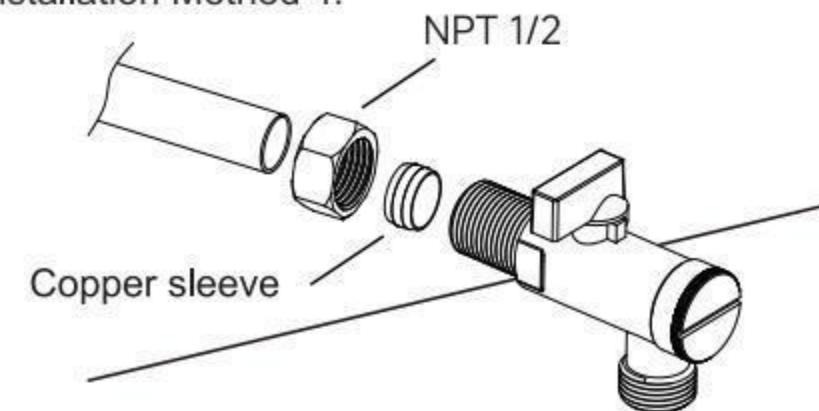
Installation Method 2:



Installation Method 3:



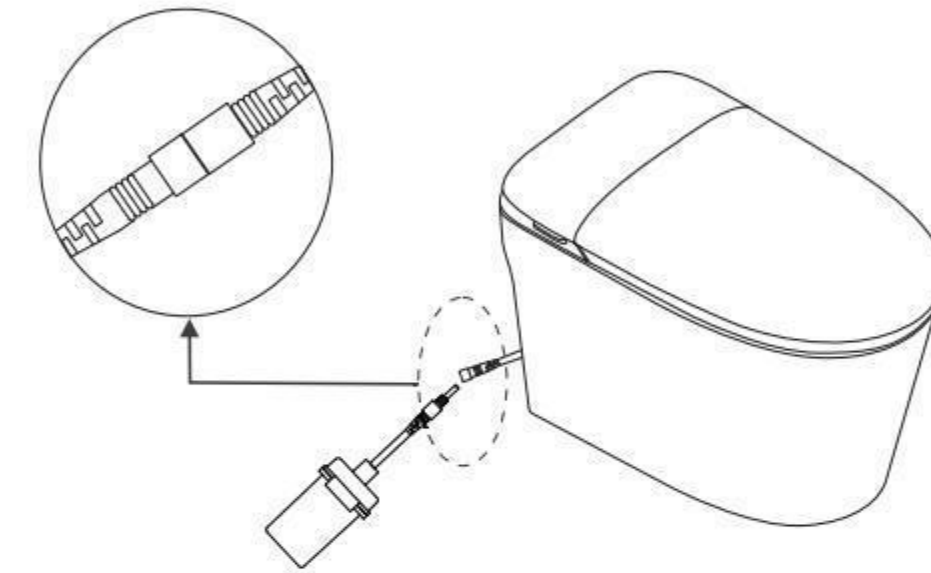
Installation Method 4:



6 - INSTALLATION STEP

How to use the backup battery to flush during a power outage

1. Find the backup battery pack in the installation box.
2. Retrieve the battery connection wire from behind the toilet.
3. Connect the ends of both wires together.
4. Place the connected battery pack and wires back behind the toilet to complete the battery connection installation.

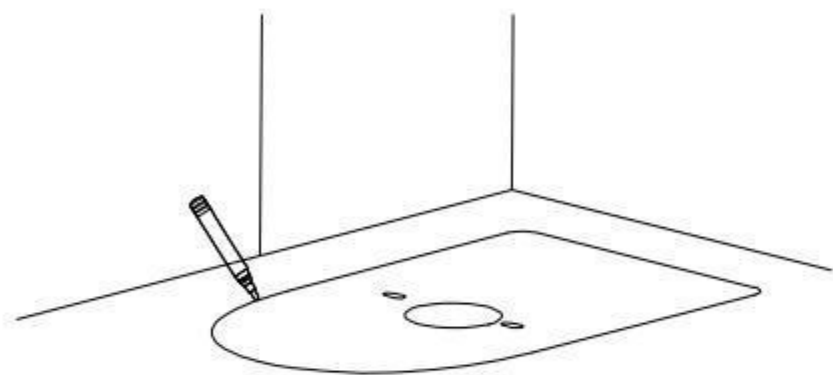


6 - INSTALLATION STEP

A. Install smart toilet

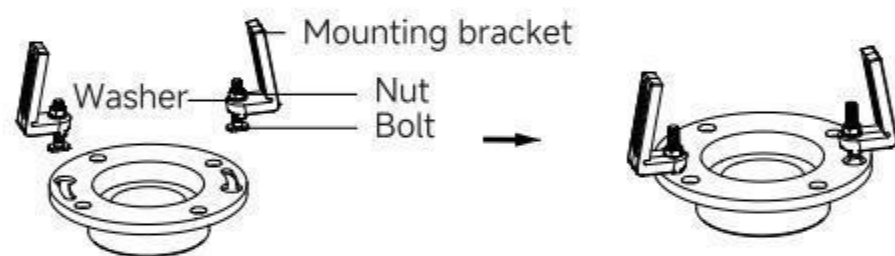
1. Rough-in template installation

- Align cardboard with the centerline of drain outlet.
- Draw contour line according to cardboard.



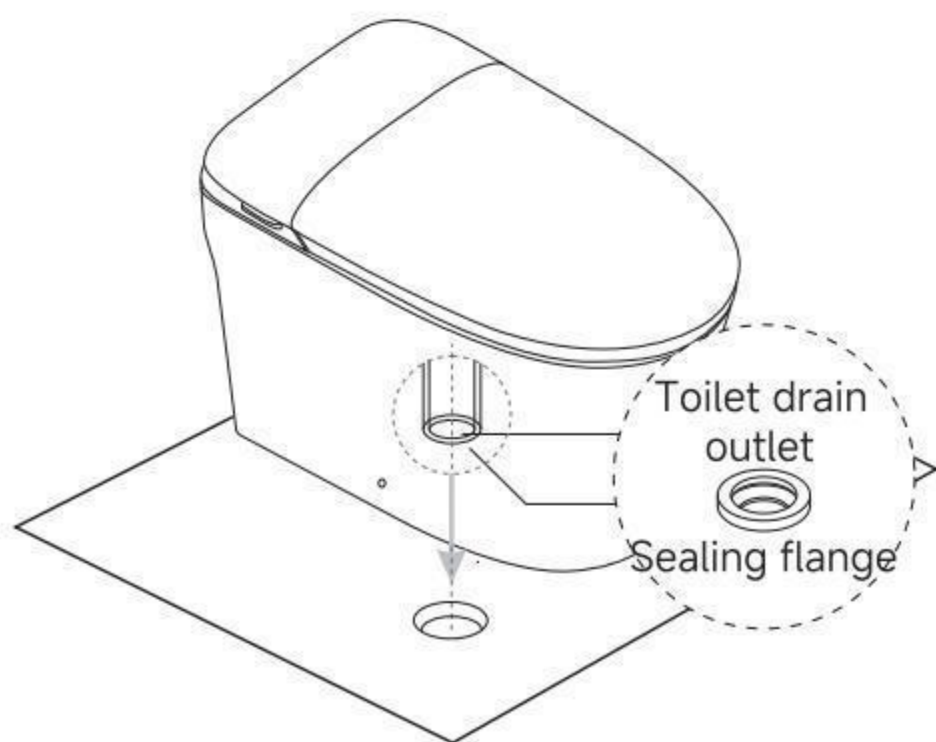
2. Mounting bracket installation

- Assemble the mounting bracket with bolts and then install them to the pre-installed flange plate on the ground and lock tight with nuts.



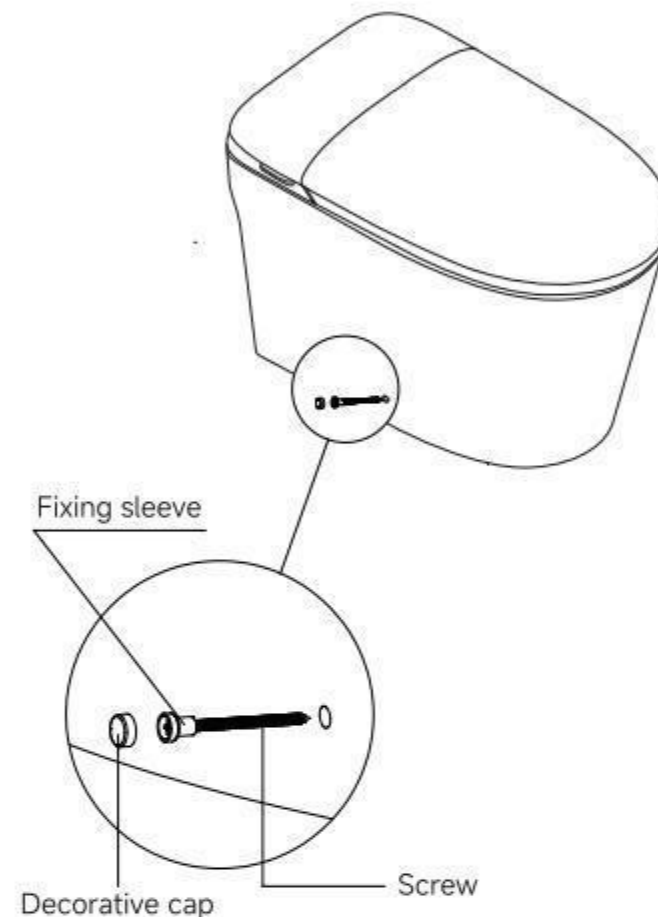
3. Ceramic toilet installation

- Install a sealing flange into drain outlet.
- Install ceramic toilet on the corresponding position.



4. Screw installation

- Put the screw through the fixing sleeve and then install it through the holes (on both sides of the toilet bowl) to the mounting bracket on the ground. Lock tight.
- Install the decorative cap on the fixing sleeve.



5. Connect the hoses

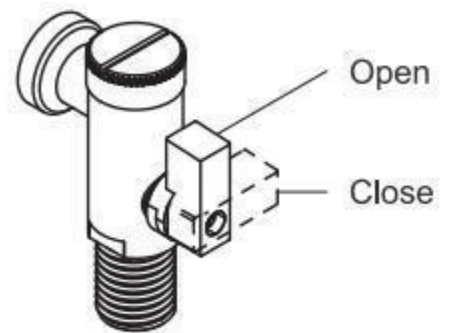
- Connect the water supply hose of the toilet tank and the water inlet hose of the toilet seat to the three-way angle valve as shown in the figure.



6 - INSTALLATION STEP

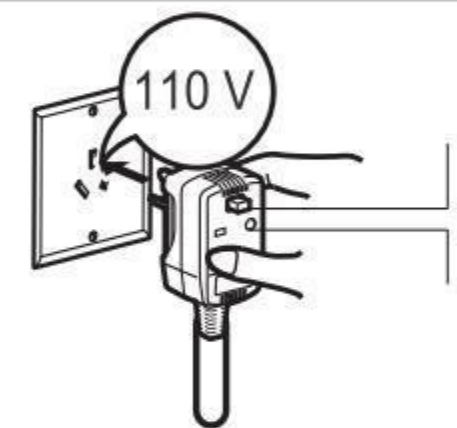
B. Check the inlet valve

1. Turn on the inlet valve to the maximum as shown in the figure.
2. Confirm that there is no water leakage at each connection. If there is any water leakage, please re-tighten the valve or install it again.



C. Connect the power supply

1. Connect the smart toilet to an AC110 volt power supply.
2. The smart toilet will start self-check after powering on, and the self-check ends with a long beep.



D. Check the toilet flushing

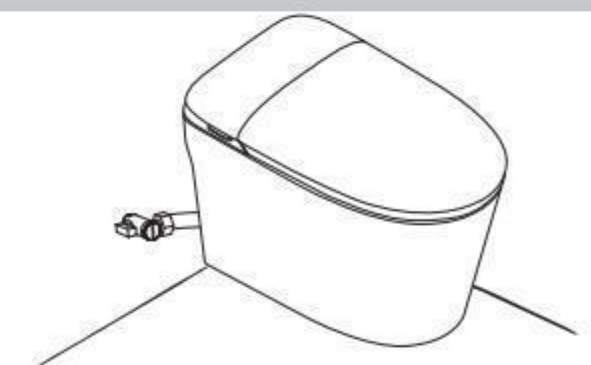
1. Press the flush button to start flushing.
2. At the first flush, the siphon cannot be fully formed due to the lack of water in the main pipe, so it is necessary to flush several times at the first use.

※ If flushing is weak or there is no siphon, please check whether the inlet hose is blocked.



E. Check whether there is water leakage

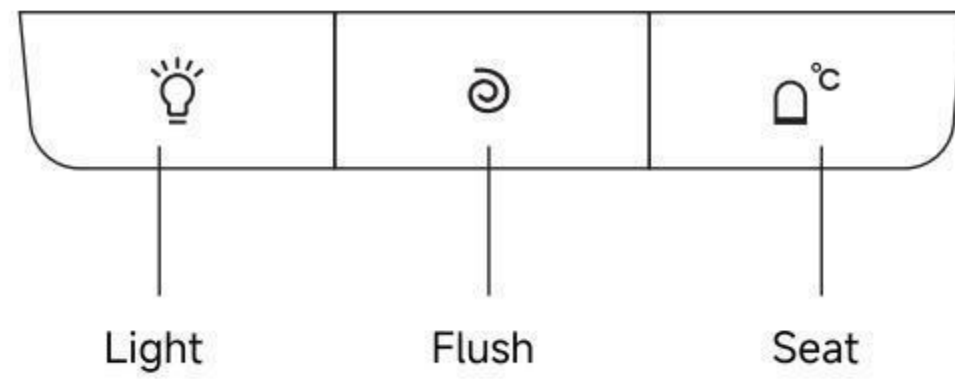
Check there is no water leakage between the toilet and the floor.



F. Functions test

1. Please refer to the actual configurations and functions of the product.
2. Press function buttons on the toilet and remote to check whether the product functions are normal.

7 - BUTTON OPERATION INSTRUCTIONS



BUTTON OPERATION INSTRUCTIONS	
FUNCTION	FUNCTION DESCRIPTION
	Short press the "Light" button to switch on/off the ambient light mode.
	Short-press to activate adjustment sequence
	Short press to start flushing, Stop:Short press the "Stop" button to stop the current function (Except open the cover/seat and flushing).

10 - SMART TOILET ERROR CODE REFERENCE

Alarm Type	Alarm Type	Description
Seat Temp. Sensor Open Circuit	F1	Sensor disconnected
Seat Temperature Overheating	F2	Temperature exceeds 48°C
Seat Temp. Sensor Short Circuit	F3	Sensor shorted

8 - TROUBLESHOOTING

Please refer to the table below for the solutions of problems which might occur in using this product. If the problem still exists after trying the solutions below, please contact our customer service center for further help.

Problems	Possible Causes	Solutions
Product doesn't power on	Loose connection of power socket.	Check power socket.
	Leakage Protection Plug Problem.	Press the reset button on the leakage protection plug to reset power. If the red led can stay illumination, this means that this plug functions properly. If this plug keeps trip-off, please unplug this plug from the socket, and contact our customer service for help.
	Product has been turned off.	Please try long-press of "Stop" button on remote control to turn on the product.
Seat Temperature is low.	Seat temperature is set to a low level.	Increase the Seat temperature level from remote control.
	Product is just being turned on.	Please give some time for temperature rise.
Flush is not working properly.	Filter is blocked.	Clean the filter.
	Water supply pipe problem.	Check the water supply pipe.
	The gap time between two flushes is less than 30 seconds.	make sure of more than 30 seconds gap time between two consecutive flushes.
Flush is not working properly.	Drain is blocked.	Unblock the drain.
	Filter is blocked.	Clean the filter.
	Water supply pipe problem.	Check the water supply pipe.
	The gap time between two flushes is less than 30 seconds.	make sure of more than 30 seconds gap time between two consecutive flushes.
Flush is not working properly.	Drain is blocked.	Unblock the drain.

9 - MAINTENANCE

In order to ensure the normal use of the product, please clean and maintain the product regularly. Note that when performing cleaning and maintenance, be sure to unplug the power plug from the socket, close the water supply valve and stop the water supply.

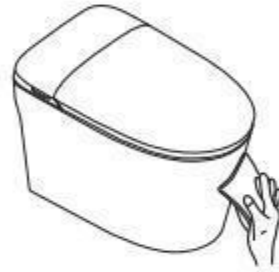
Cleaning and maintenance methods for covers, seats and other plastic parts.

Please use a soft damp cloth to wipe the will become difficult to clean. Please wipe it with water frequently. In addition, wiping with water can prevent the generation of static electricity, which can absorb dust and cause the product to become black and dirty.

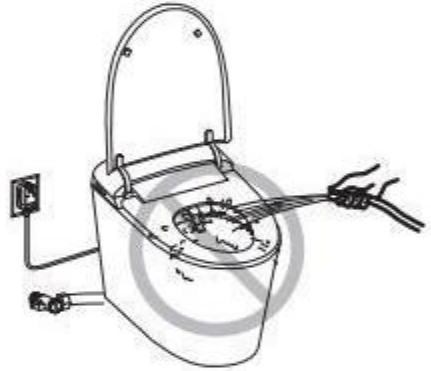


Cleaning and maintenance methods for ceramic area

Please wipe the ceramic area of the product with a soft damp cloth. Soft brush, or sponge to clean it with a neutral detergent and cold or warm water. Do not use inappropriate cleaning agents, such as: toilet cleaners, bleach, alcohol, deodorizing powder, gasoline etc.



Do not add water or detergent to the of the remote control. Do not get the electrical parts and power plug wet with water or detergent. Otherwise there may be a risk of electric shock and fire.



When cleaning and maintaining plastic parts, do not use unsuitable cleaners (toilet cleaner, alcohol, cresol, benzene, detergent powder, bleach, tinas, paint thinner, residential cleaner, gasoline, etc.) otherwise the plastic parts cracking may result in personal injury, electric shock, or fire.



10 - PRODUCT SPECIFICATIONS

Rated Voltage	RAC110V/60HZ
Rated Power	45W
Ambient Temperature Range	3℃-40℃
Supply Water Temperature Range	4℃-35℃
IP Rating	IPX4
Water Volumn For One Flush	4.5/3.3L (1.19 gpf/0.87gpf)
Flush	Required Water Supply Pressure
	0.03Mpa~0.75Mpa

10 - PRODUCT SPECIFICATIONS

Comfort Functions	Night Light	It illuminates to help find the toilet easily. It can be turned on/off.
	Wet The Toilet Bowl After Seated	it wets the toilet inside surface with small amount of water once seated. This function can be enabled/disabled.
	Flushing After Leaving seat	it flushes the toilet after leaving seat. This function can be enabled/disabled.
	No-power Flush	when power-cut, it can flush the toilet using the battery pack provided.
Leakage Protection Power Cable		Max load of 10A, Leakage Protection Current of 10mA; Cable length of 1.4m.

11 - WATER EFFICIENCY AND ENERGY EFFICIENCY

Toilet Energy Efficiency and Water Efficiency levels Instructions.

The energy and water efficiency levels of smart toilets are divided into three levels, the 3rd level is the lowest energy and water efficiency. The unit cycle energy consumption, average washing water consumption and average flushing water consumption of each level should comply with the provisions of Table 1.

Table 1 Smart toilet energy efficiency and water efficiency level indicators

Smart toilet energy efficiency and water efficiency levels		Level 1	Level 2	Level 3
Energy efficiency level index	Energy consumption per cycle/(kw.h)			
	With seat heating function	≤0.030	≤0.040	≤0.060
	Without seat heating function	≤0.010	≤0.020	≤0.030
Water efficiency level index	Average water consumption for washing/L	≤0.30	≤0.50	≤0.70
	*Average water consumption for flushing/L	Comply with the requirements of level 3 indicators in GB 25502		
	*Full water consumption for dual flushing/L			
Note 1: "*" Applies to 70% of all-in-one smart toilets.				
Note 2: For each water efficiency level, the average half-flush water consumption of a dual-flush toilet shall not be more than 70% of the maximum water consumption limit for full flushing.				

The energy efficiency and water efficiency level of this product is Level 2.

12 - TEMPERATURE BUZZER ALERT

Seat Heating Adjustment

This model offers four levels of seat heating. The current temperature level is indicated by beeping sounds when the seat heating button is pressed:

1 beep: Room temperature (no heating)

2 beeps: 93.2°F (Low heat)

3 beeps: 98.6°F (Medium heat)

4 beeps: 104°F (High heat)

Press the seat heating button repeatedly to cycle through the heating levels.

Limited Warranty

Three Year Limited Warranty

1. Baytina warrants its product to be free from defects in materials and workmanship during normal use when properly installed and serviced, for a period of three years from date of purchase. This limited warranty is extended only to the ORIGINAL PURCHASER of the product and is not transferable to any third party, including but not limited to any subsequent purchaser or owner of the product. This warranty applies only to Baytina Product is purchased and installed in North, Central and South America.

2. Baytina's obligations under this warranty are limited to repair, replacement or other appropriate adjustment, at Baytina's option, the product or parts found to be defective in normal use, provided that such product was properly installed, used and serviced in accordance with instructions. Baytina reserves the right to make such inspections as may be necessary in order to determine the cause of the defect. Baytina will not charge for labor or parts in connection with warranty repairs or replacements. Baytina is not responsible for the cost of removal, return or reinstallation of the product.

3. This warranty does not apply to the following items:

- a) Damage or loss sustained in a natural calamity such as fire, earthquake, flood, thunder, electrical storm, etc.
- b) Damage or loss resulting from any accident, unreasonable use, misuse, abuse, negligence, or improper care, cleaning, or maintenance of the Product.
- c) Damage or loss resulting from sediments or foreign matter contained in a water system.
- d) Damage or loss resulting from the quality of water in the region where the product is used.
- e) Damage or loss resulting from improper installation or from installation of the Product in a harsh or hazardous environment, or improper removal, repair or modification of the Product. This includes locations where the water pressure is above local codes or standards.
- f) Damage or loss resulting from electrical surges or lightning strikes or other acts which are not the fault of Baytina or which the Product is not specified to tolerate, including failure to use the factory equipped cord and plug or use of a loose or faulty electrical outlet or use of a current or socket other than a 120V, 60Hz electrical current from a GFI (ground, fused) socket.
- g) Damage or loss resulting from normal and customary wear and tear, such as gloss reduction, scratching or fading over time due to use, cleaning practices or water or atmospheric conditions, including but not limited to, the use of bleach, alkali, acid cleaners, dry (powder) cleaners or any other abrasive cleaners or the use of metal or nylon scrubbers.

4. If the Danger Label which has been placed over the seams on the back of the Product top unit is broken or otherwise not intact, this limited warranty is void.

5. In order for this limited warranty to be valid, proof of purchase is required.

6. If the Product is used commercially or is installed outside of North, Central or South America, Baytina warrants the product to be free from defects in materials and workmanship during normal use for one year from the date of installation of the Product, and all other terms of this warranty shall be applicable except the duration of the warranty.

7. This warranty gives you specific legal rights. You may have other rights which vary from state to state, province to province or country to country.

8. To obtain warranty and replacement parts, please send e-mail to Baytinabathroom@gmail.com. with the original receipt information, Baytina will determine whether to repair or replace your product, issue a refund or issue a credit.

WARNING! Baytina shall not be responsible or liable for any failure of, or damage to, this Product caused by either chloramines in the treatment of public water supply or cleaners containing chlorine (calcium hypochlorite).

NOTE: The use of a high concentrate chlorine or chlorine related product's can seriously damage the fittings. This damage can cause leakage and serious property damage.

This written warranty is the only warranty made by Baytina. Repair, replacement or other appropriate adjustment as provided under this warranty shall be the exclusive remedy available to the original purchaser. Baytina shall not be responsible for loss of the product or for other incidental, special or consequential damages or expenses incurred by the original purchaser, or for labor or other costs due to installation or removal, or costs of repairs by others, or for any other expense not specifically stated above. In no event will Baytina's responsibility exceed the purchase price of the product. Except to the extent prohibited by applicable law, any implied warranties, including that of merchantability or fitness for use or for a particular purpose, are expressly disclaimed. Some states do not allow limitations on how long an implied warranty lasts, or the exclusion or limitation of incidental or consequential damages, so the above limitation and exclusion may not apply to you.