

# USER MANUAL

---

# INTRODUCTION

Thank you for purchasing our products. Committed to providing customers with the best quality products and service has always been our lifelong goal. Before using the product, please read this instruction manual carefully to ensure correct use. Keep the instruction manual in a place where the user can find it at any time.

# PRECAUTIONS

1. There are many components and accessories in the package. Each component and accessory is labeled with a letter or a number, check carefully before using any of them. Keep them away from children to

2. prevent accidents.

Please install the product on a clean and soft underlay (such as carpet or cardboard) to avoid scratching or damaging the surface of the product.

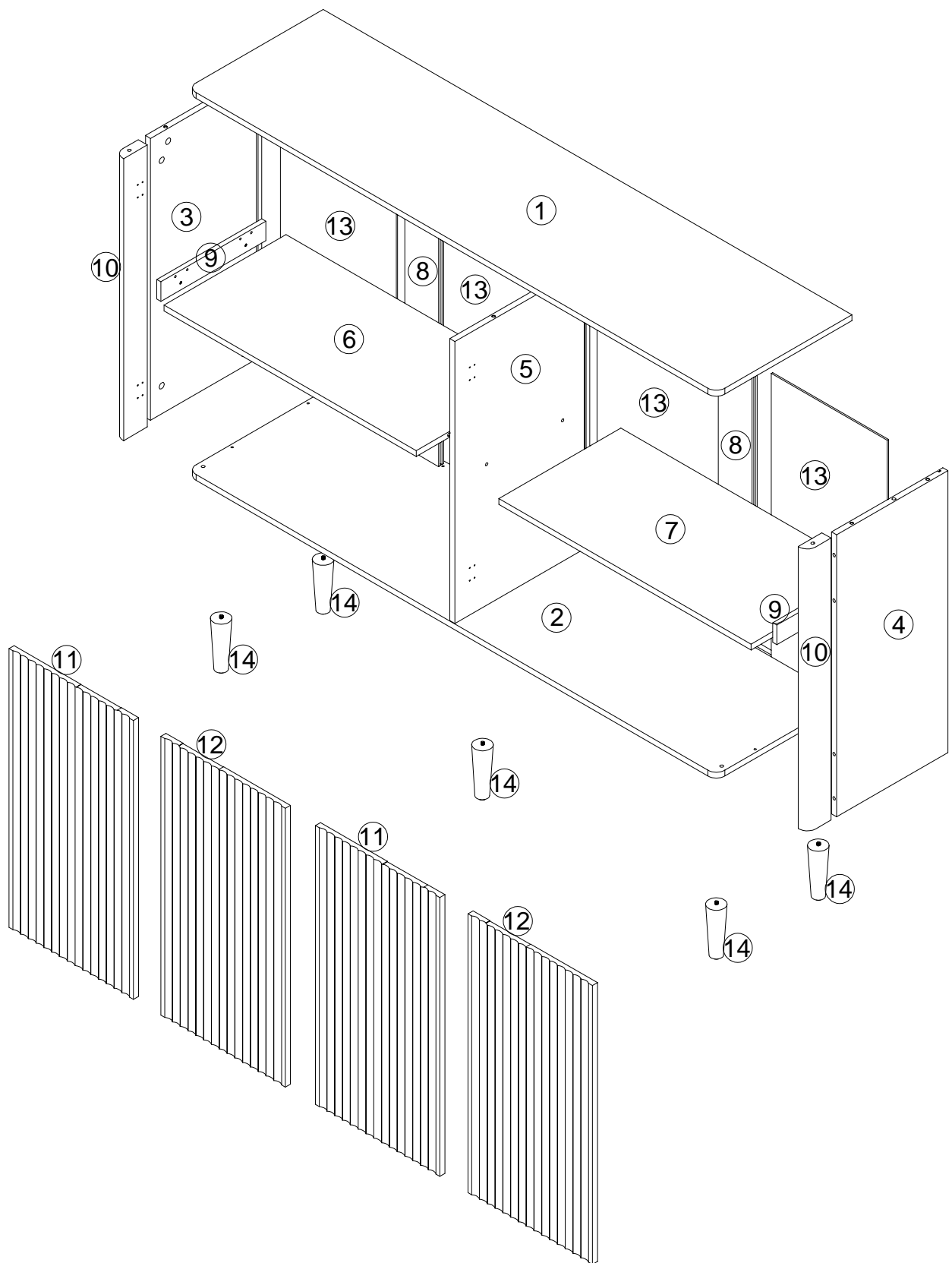
3. The main components of the product is relatively heavy. Please pay attention to safety during installation.

4. The product is not stable during installation. Please do not move it randomly before it is completely installed.

5. If you have any questions during installation, please contact the customer service in time.

\*PLEASE BE SURE TO FOLLOW THE INSTALLATION STEPS IN THE MANUAL TO AVOID UNNECESSARY LOSSES CAUSED BY IMPROPER INSTALLATION.

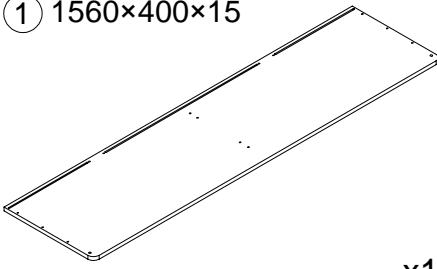
\*IF YOU NEED FURTHER ASSISTANCE, PLEASE CONTACT THE CUSTOMER SERVICE ONLINE.



# PARTS LIST

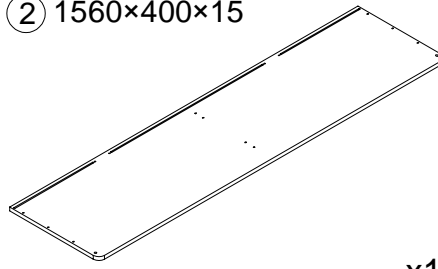
Unit(mm)

① 1560×400×15



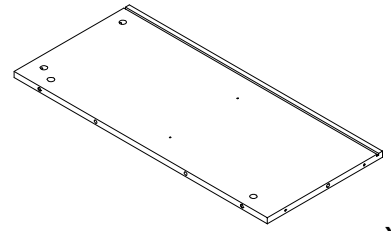
x1

② 1560×400×15



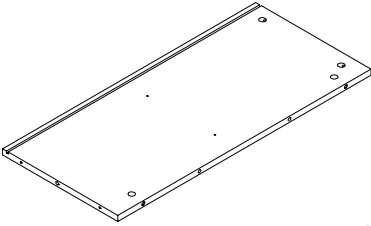
x1

③ 720×328×15



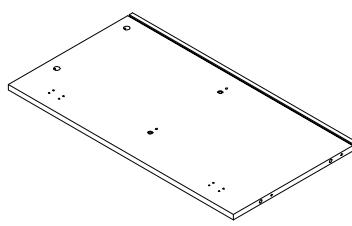
x1

④ 720×328×15



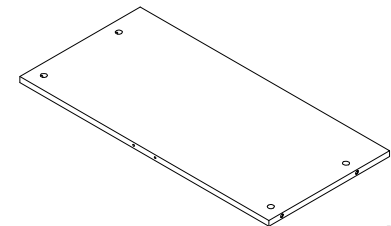
x1

⑤ 720×398×15



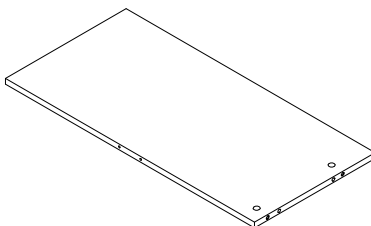
x1

⑥ 744×360×15



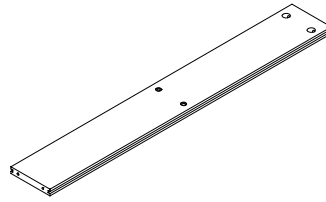
x1

⑦ 744×360×15



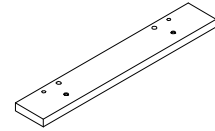
x1

⑧ 720×100×15



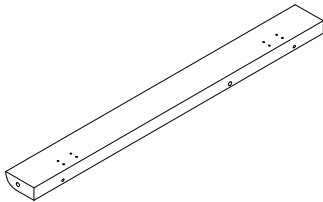
x2

⑨ 310×50×12



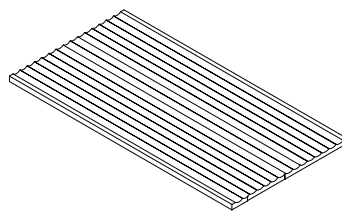
x2

⑩ 720×70×27



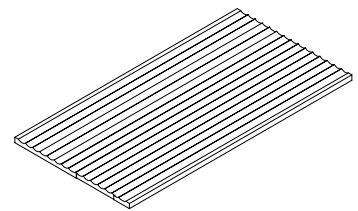
x2

⑪ 712×367×15



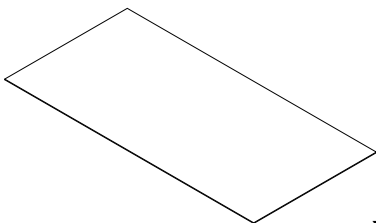
x2

⑫ 712×367×15



x2

⑬ 728×335×4



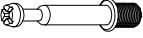


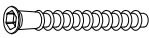
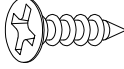


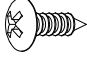

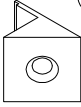
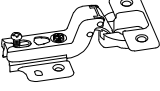
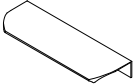
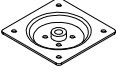
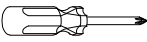
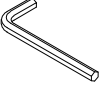



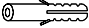

x4

⑭ 45×45×130



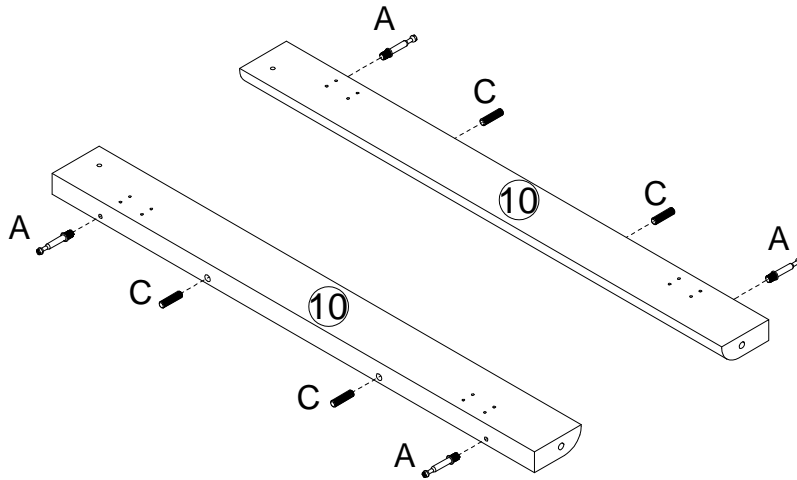
x5

# HARDWARE LIST

<p>A Ø6x40mm</p>  <p>x20pcs(+1)</p>	<p>B Ø15x9.5mm</p>  <p>x20pcs(+1)</p>	<p>C Ø8x30mm</p>  <p>x20pcs(+1)</p>	<p>D Ø6x40mm</p>  <p>x16pcs(+1)</p>	<p>E Ø3.5x14mm</p>  <p>x68pcs(+2)</p>	<p>F Ø3x12mm</p>  <p>x8pcs(+1)</p>
<p>G Ø4x20mm</p>  <p>x4pcs(+1)</p>	<p>H Ø3.5x14mm</p>  <p>x20pcs(+1)</p>	<p>I Ø3.5x14mm</p>   <p>x16pcs</p>	<p>J Ø35mm Large radian curved door hinge(Inbuilt)</p>  <p>x8pcs</p>	<p>K</p>  <p>x4pcs</p>	<p>L</p>  <p>x5pcs</p>
<p>M</p>  <p>x1pc</p>	<p>N</p>  <p>x1pc</p>	<p>KK</p>  <p>x2pcs</p>	<p>LL</p>  <p>x2pcs</p>	<p>MM</p>  <p>x2pcs</p>	<p>OO</p>  <p>x2pcs</p> <p>NN</p>  <p>x4pcs</p>

# INSTALLATION STEPS

## 1



YOU WILL NEED

Ax4

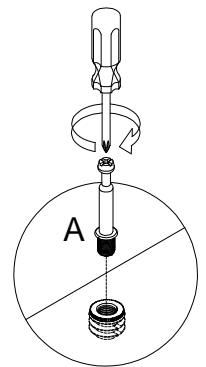
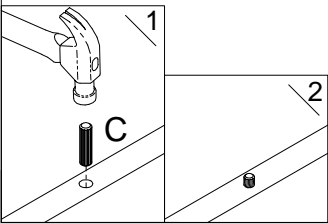


Ø6x40mm

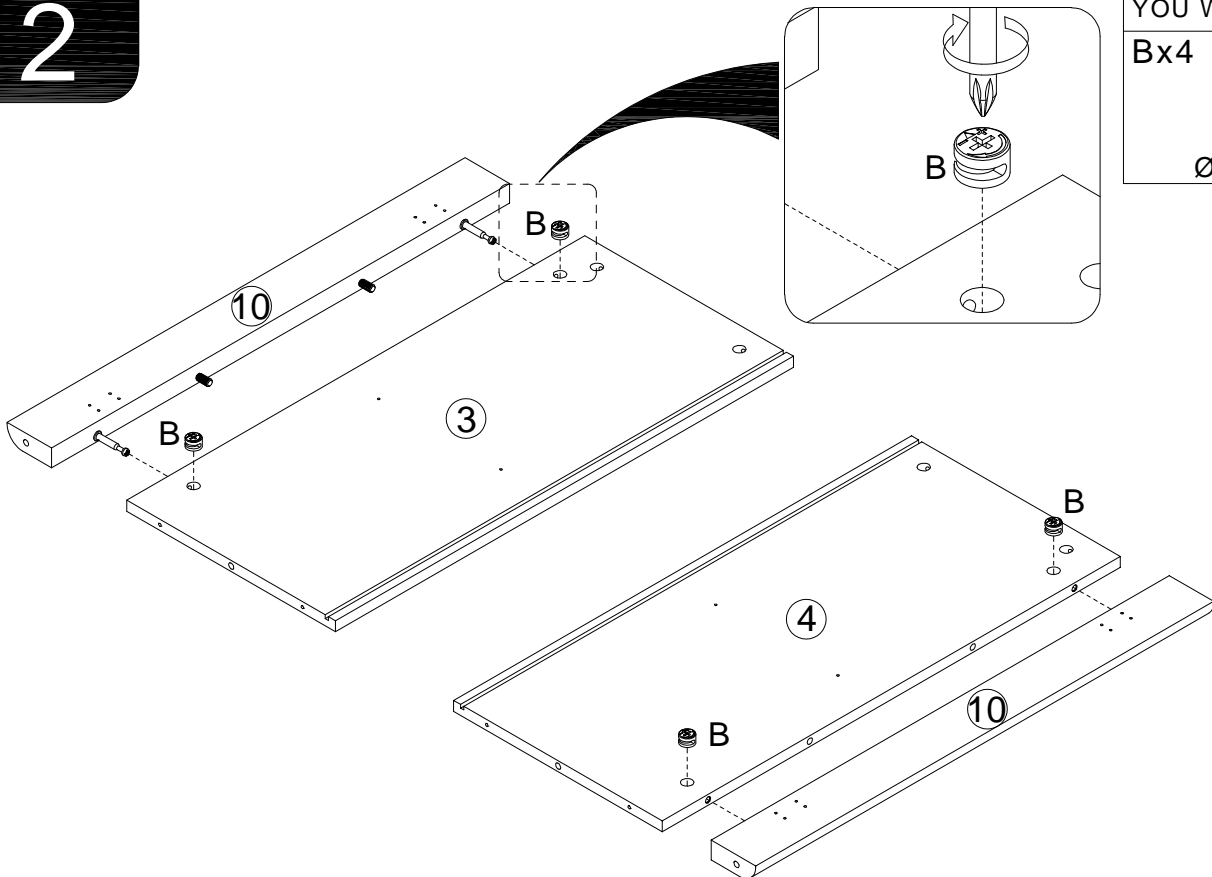
Cx4



Ø8x30mm



## 2



YOU WILL NEED

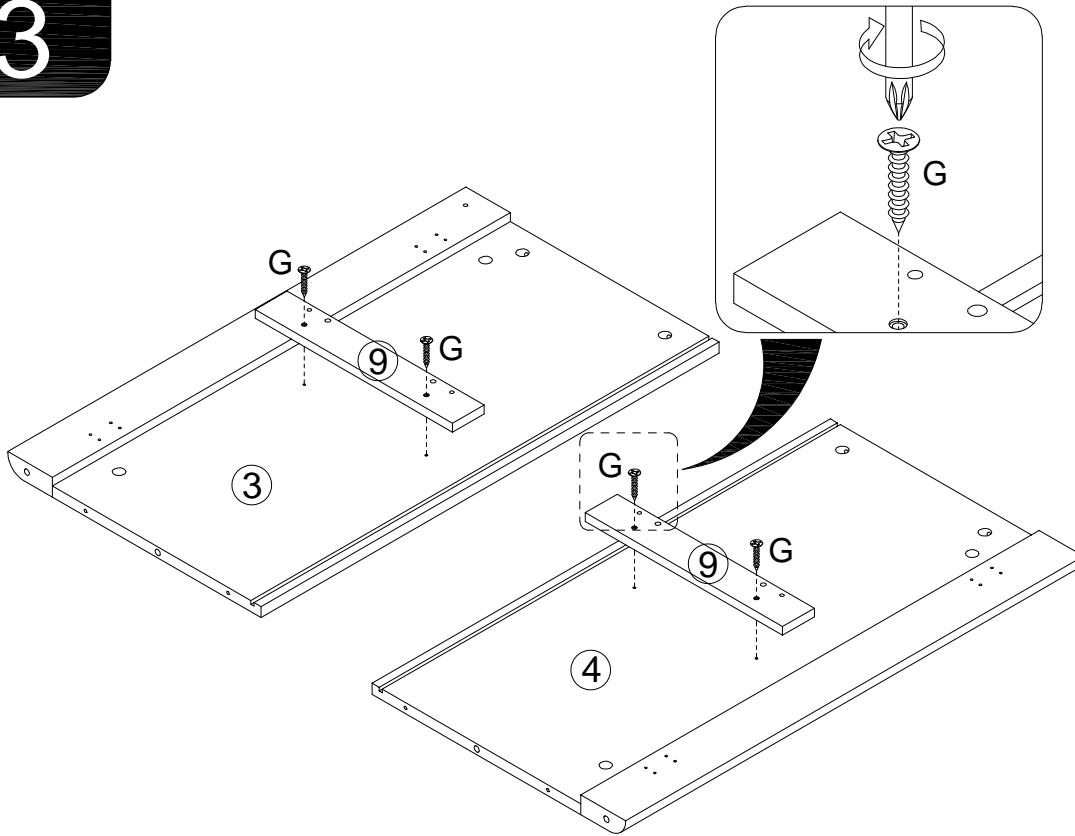
Bx4



Ø15x9.5mm

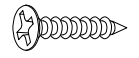
# INSTALLATION STEPS

## 3



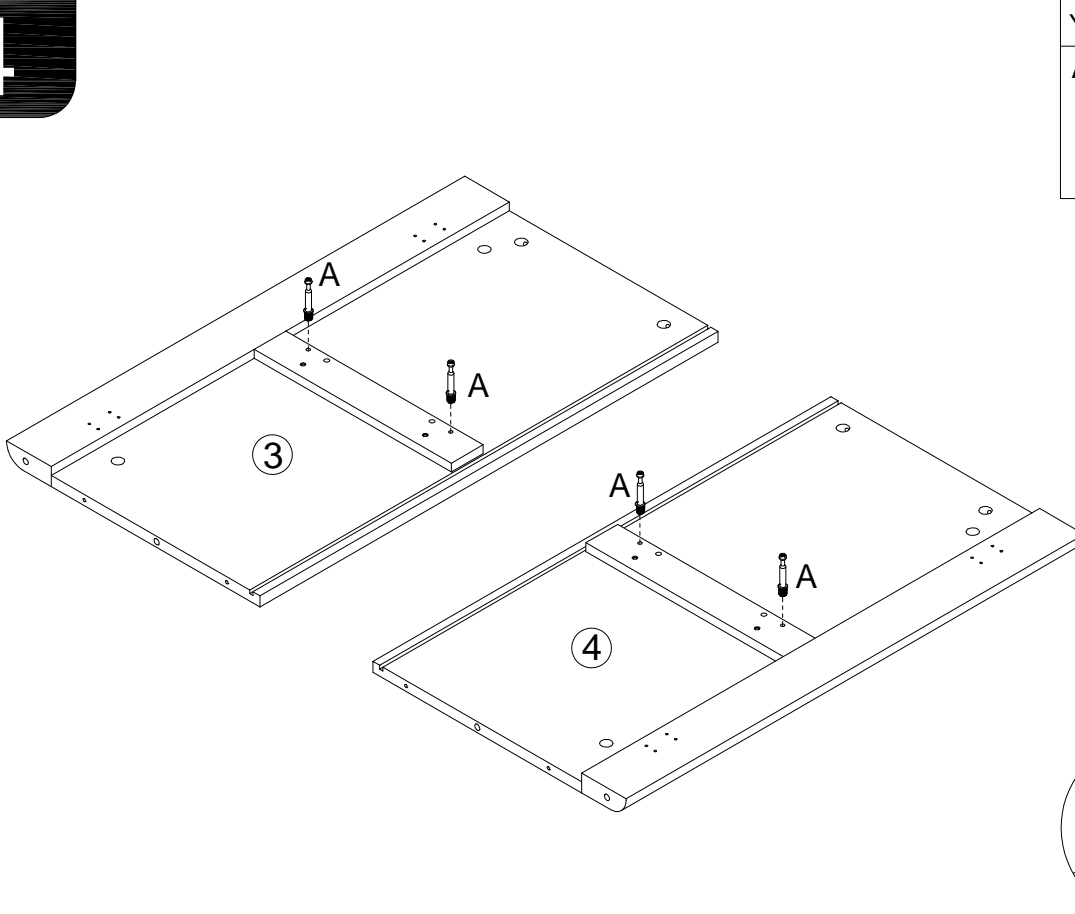
YOU WILL NEED

Gx4



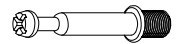
Ø4x20mm

## 4



YOU WILL NEED

Ax4



Ø6x40mm

# INSTALLATION STEPS

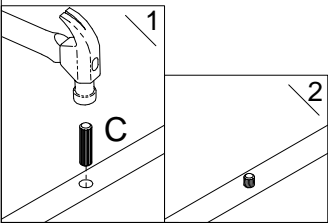
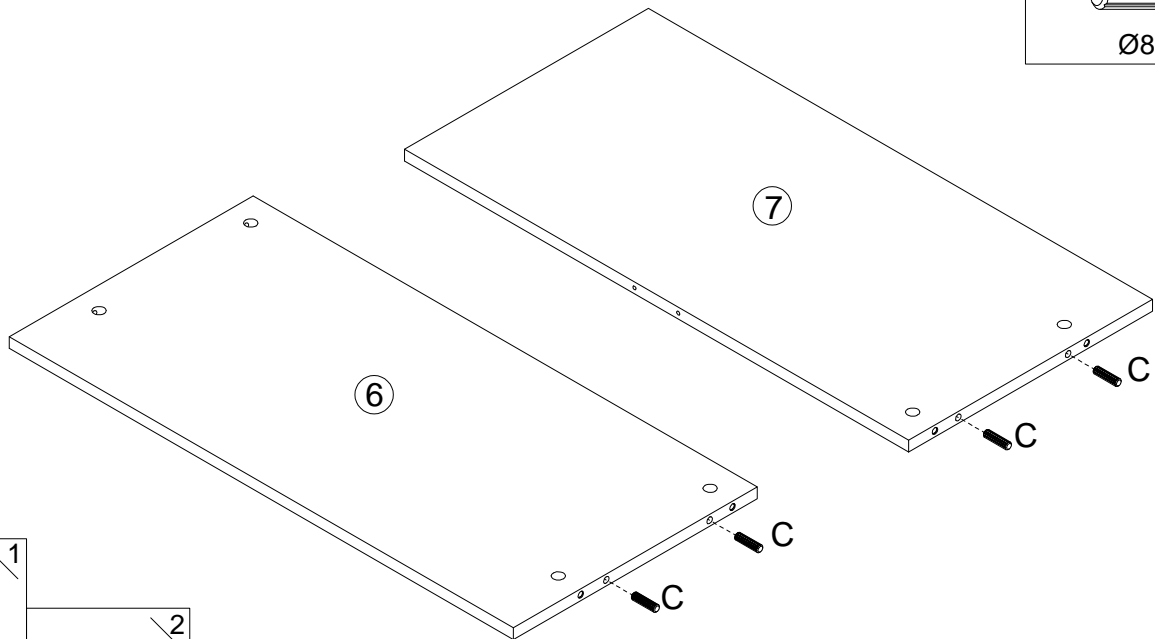
## 5

YOU WILL NEED

Cx4



Ø8x30mm



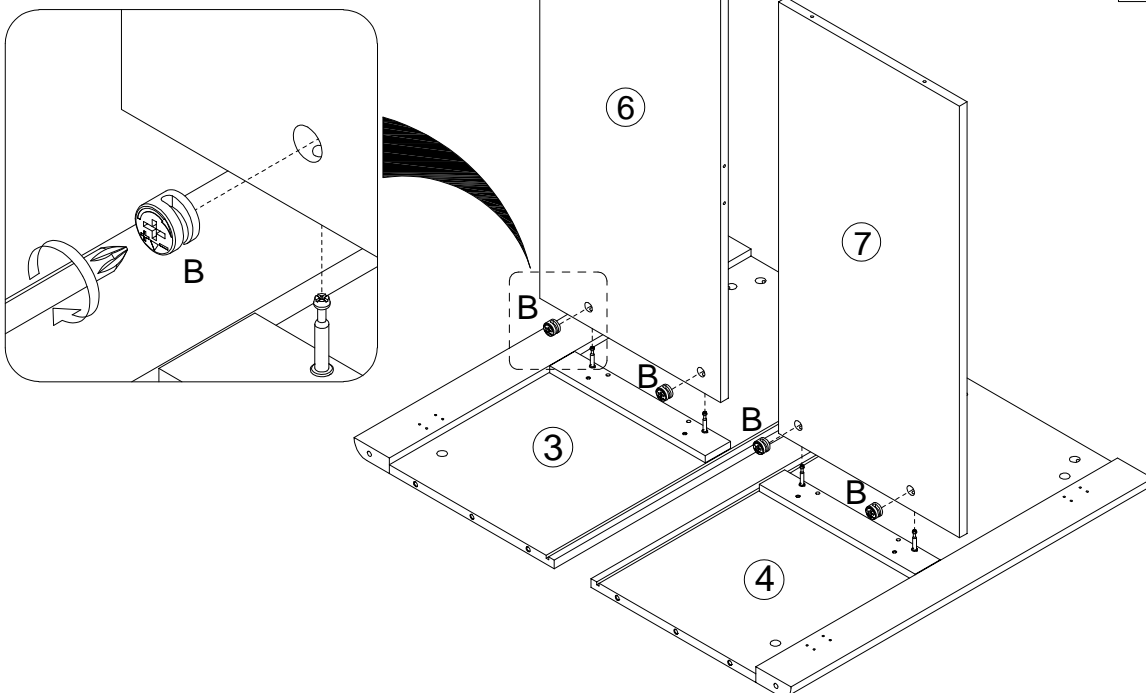
## 6

YOU WILL NEED

Bx4



Ø15x9.5mm

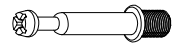


# INSTALLATION STEPS

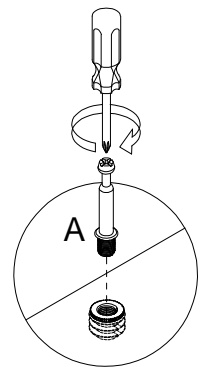
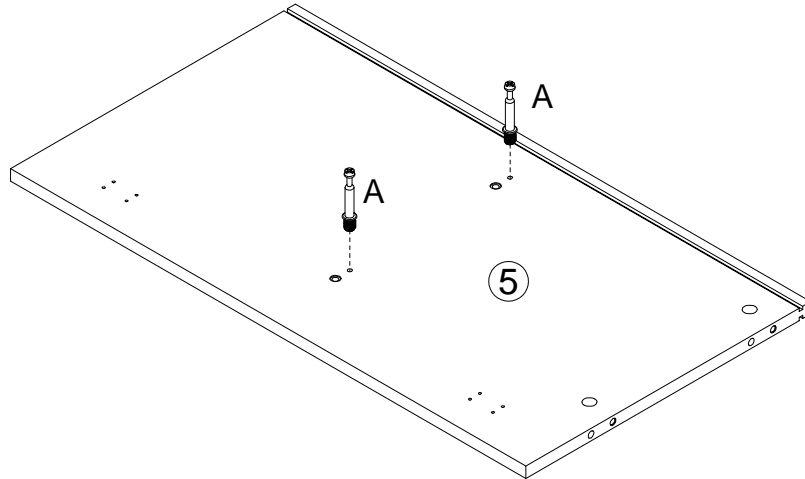
7

YOU WILL NEED

Ax2



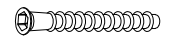
Ø6x40mm



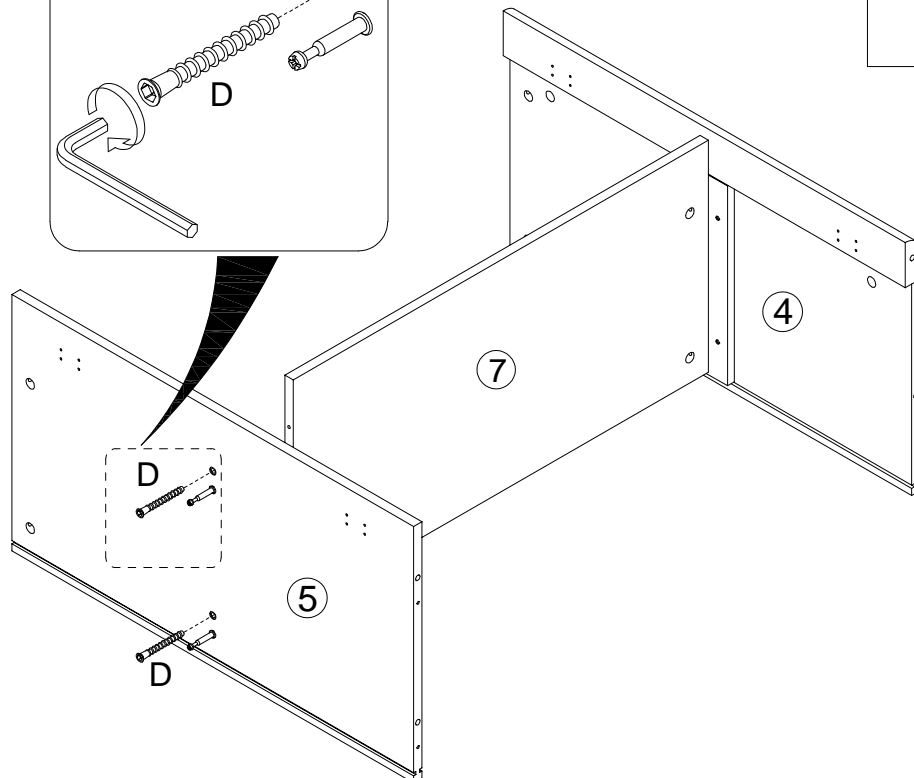
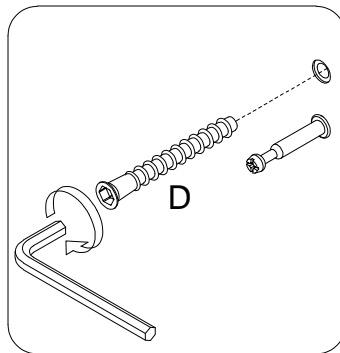
8

YOU WILL NEED

Dx2



Ø6x40mm



# INSTALLATION STEPS

## 9

YOU WILL NEED

Bx2

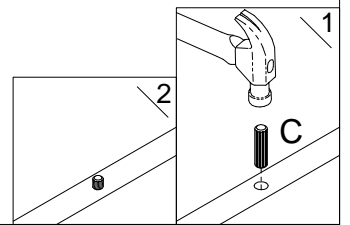
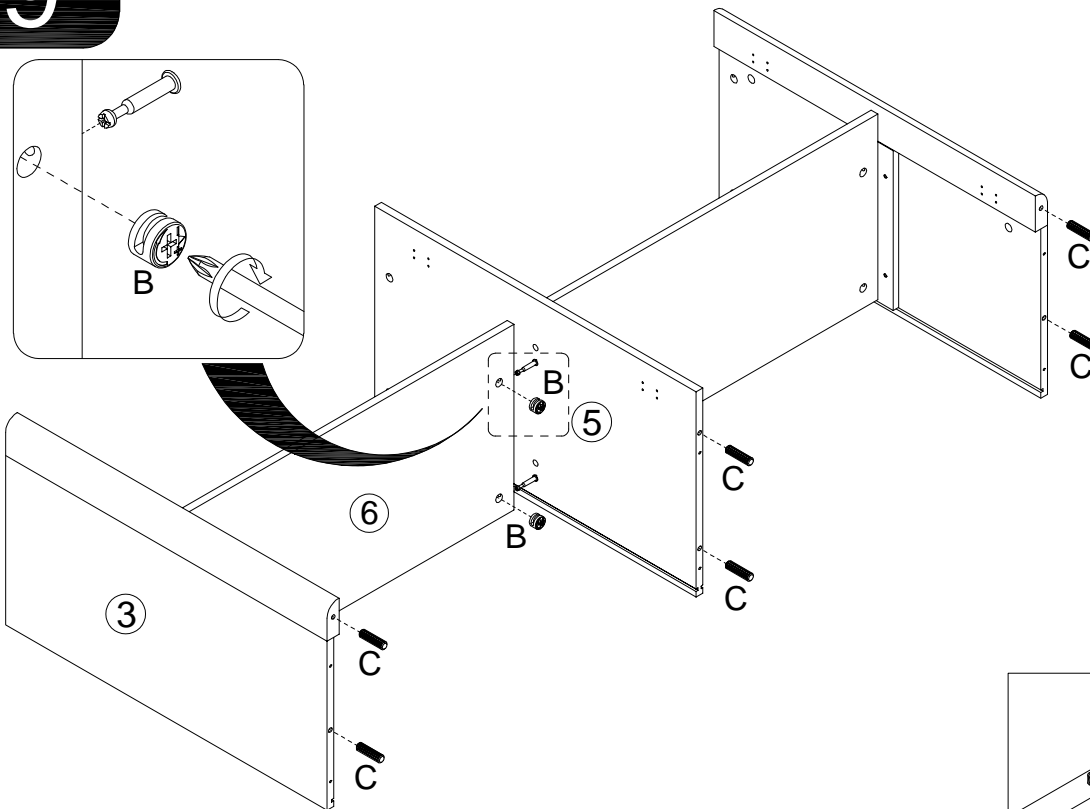


Ø15x9.5mm

Cx6

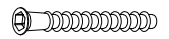


Ø8x30mm



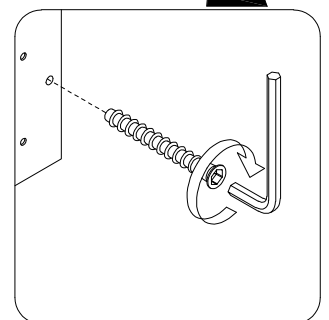
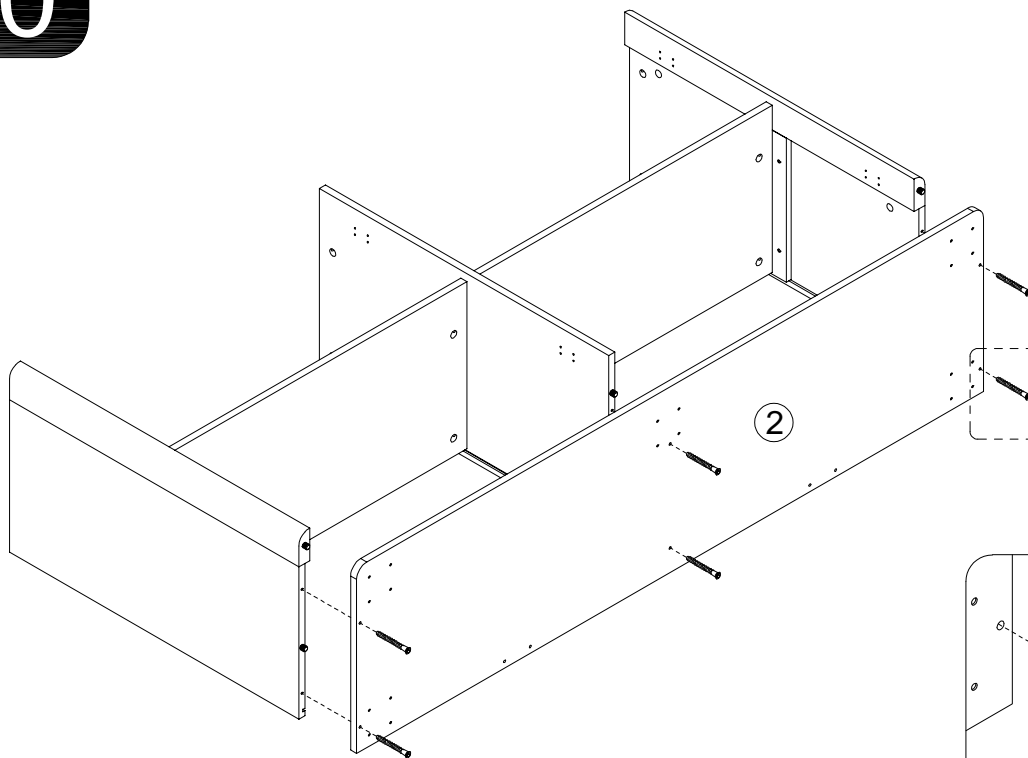
YOU WILL NEED

Dx6



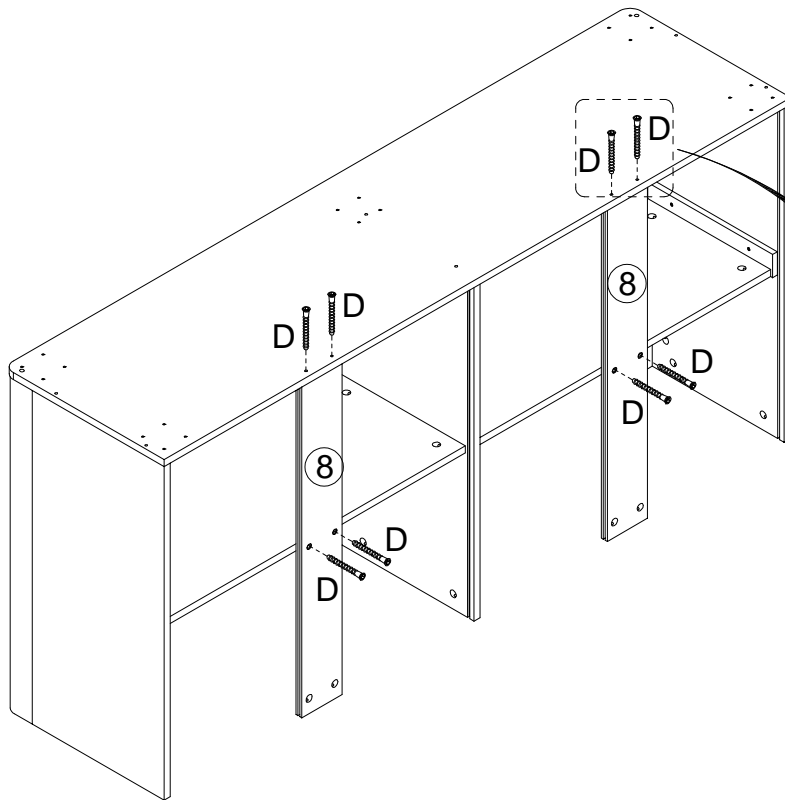
Ø6x40mm

## 10



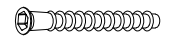
# INSTALLATION STEPS

## 11

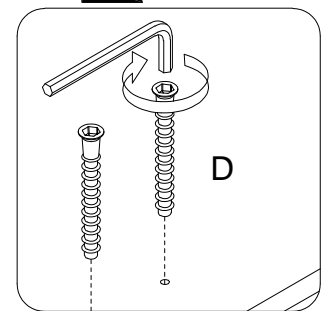


YOU WILL NEED

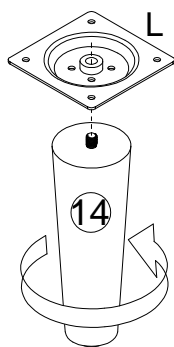
Dx8



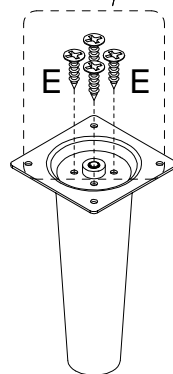
Ø6x40mm



## 12



Tighten



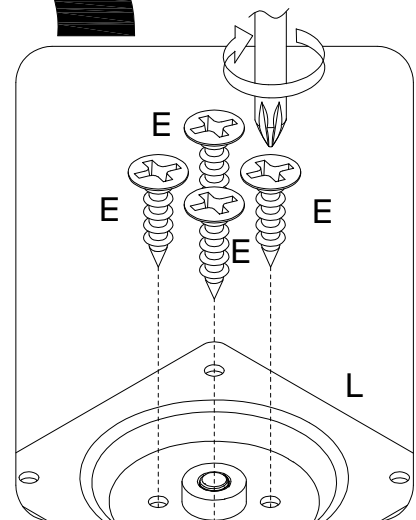
x5pcs

YOU WILL NEED

Ex20

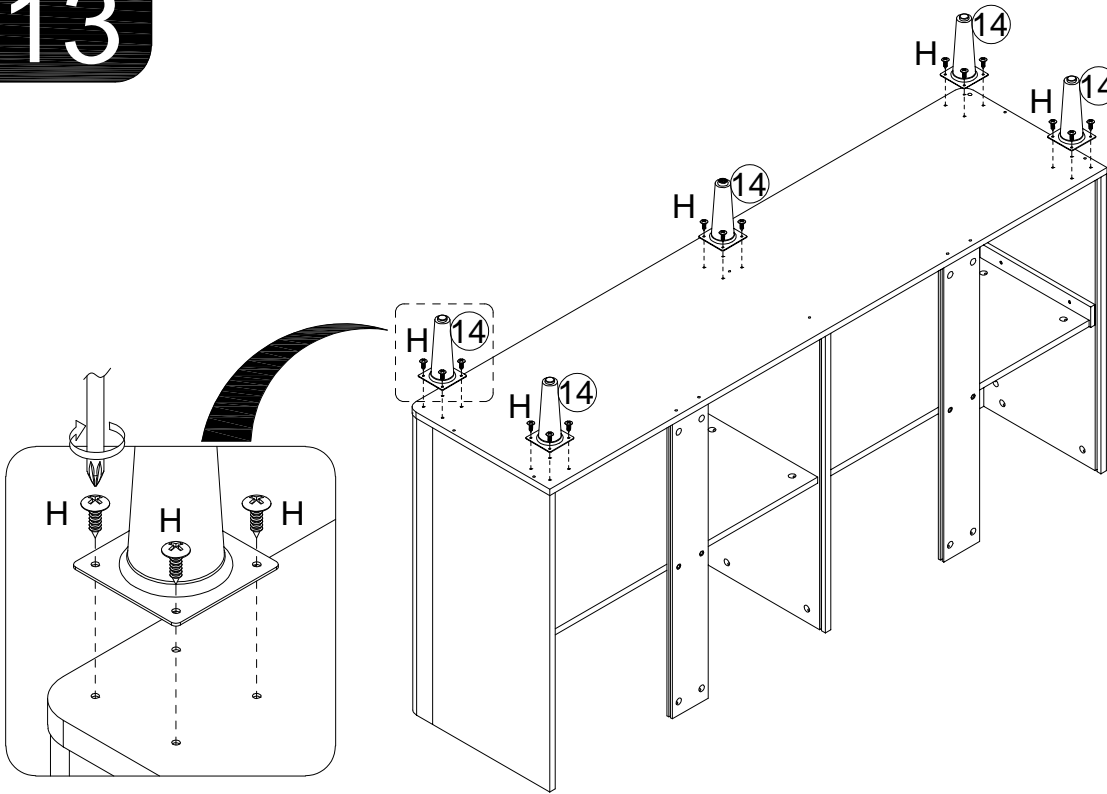


Ø3.5x14mm



# INSTALLATION STEPS

## 13



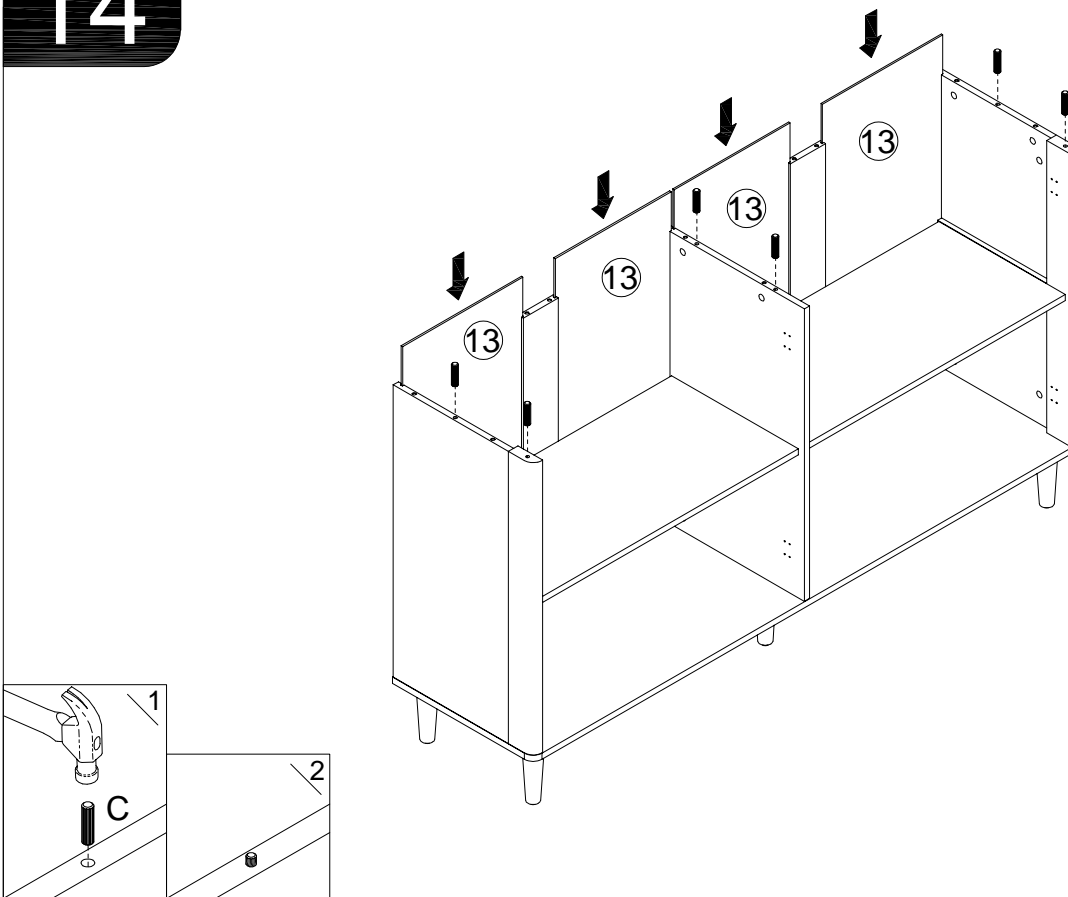
YOU WILL NEED

Hx20



Ø3.5x14mm

## 14



YOU WILL NEED

Cx6



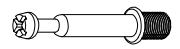
Ø8x30mm

# INSTALLATION STEPS

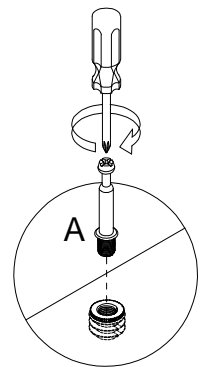
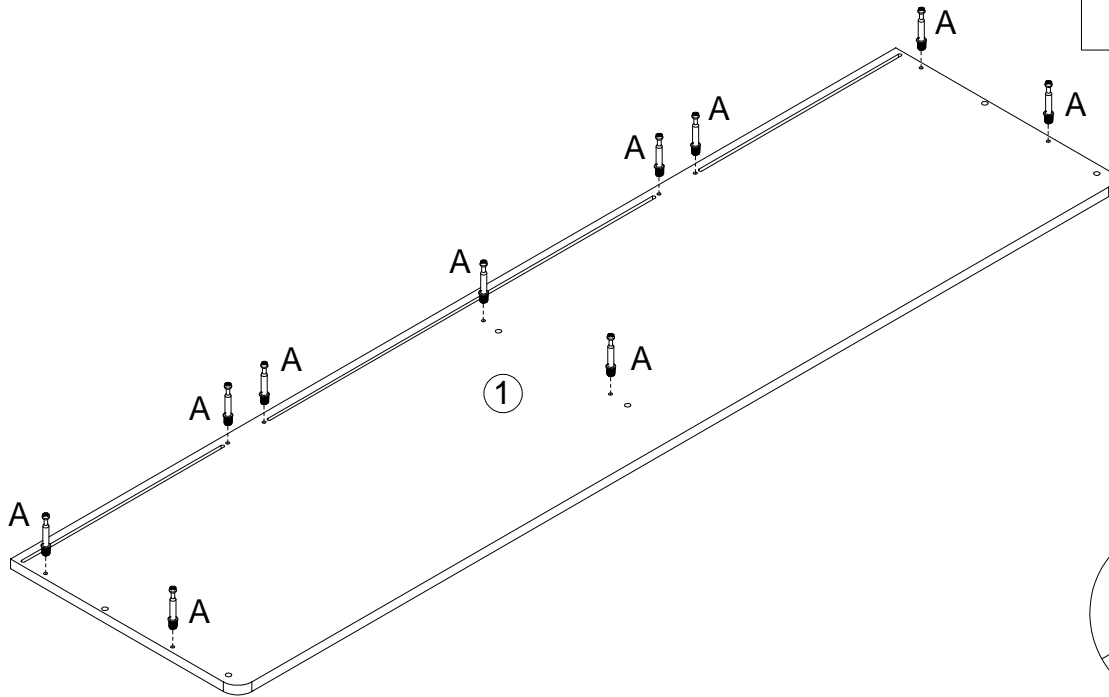
## 15

YOU WILL NEED

Ax10



Ø6x40mm



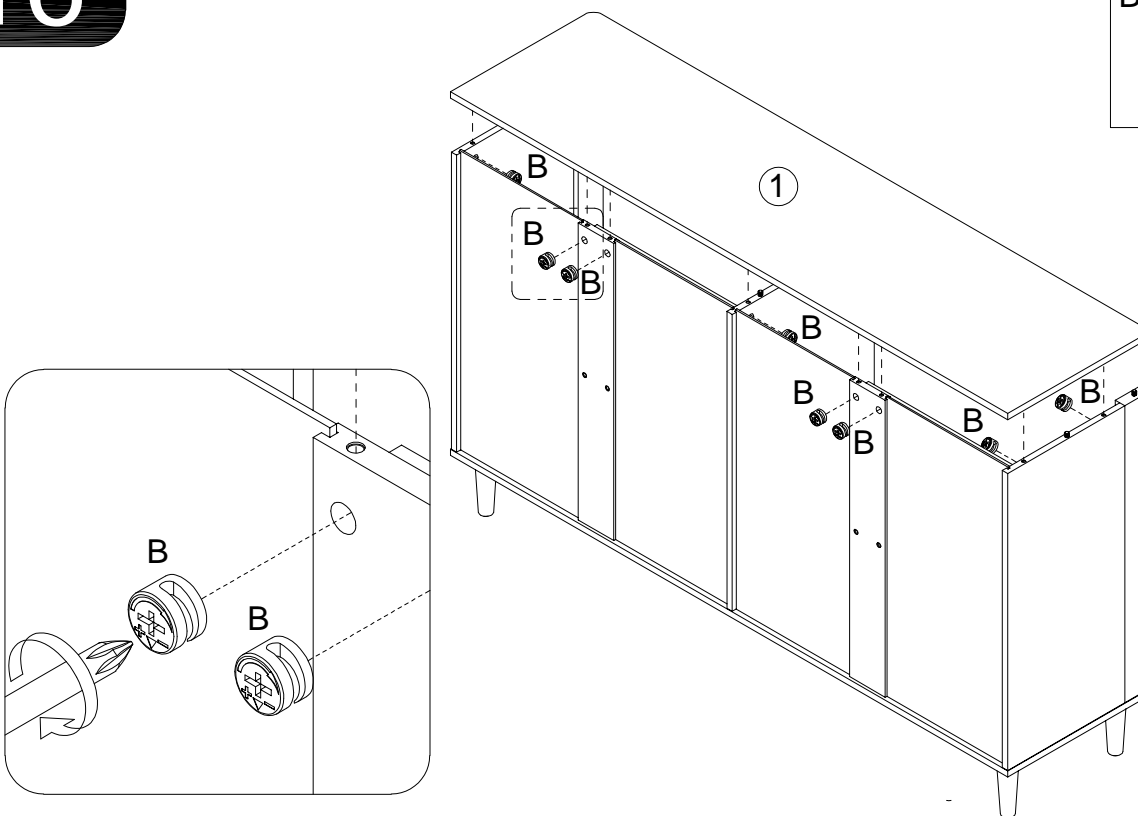
## 16

YOU WILL NEED

Bx10



Ø15x9.5mm



# INSTALLATION STEPS

## 17

YOU WILL NEED

Ex16



Ø3.5x14mm

Fx8



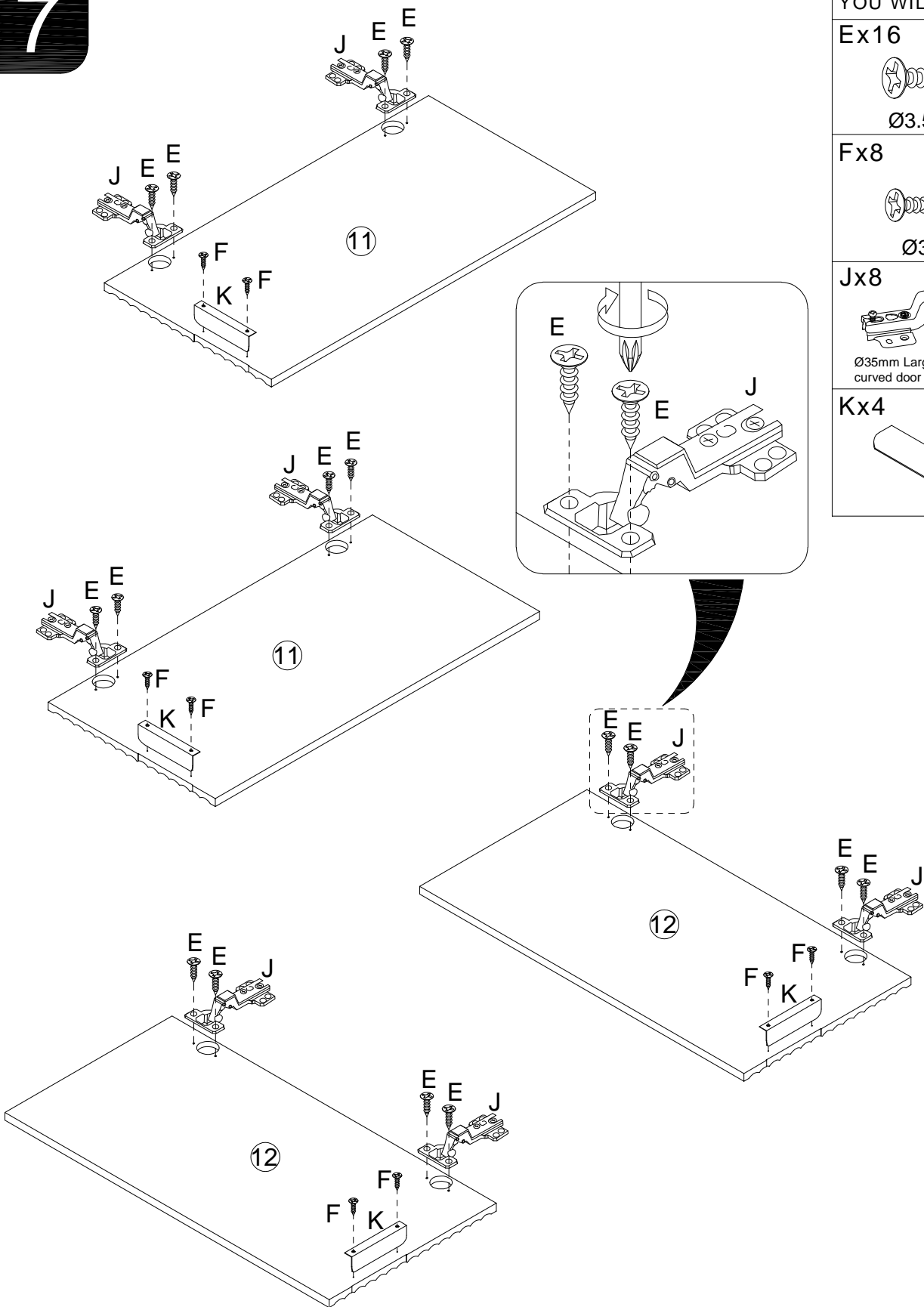
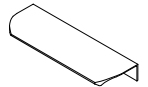
Ø3x12mm

Jx8



Ø35mm Large radian curved door hinge(Inbuilt)

Kx4



# INSTALLATION STEPS

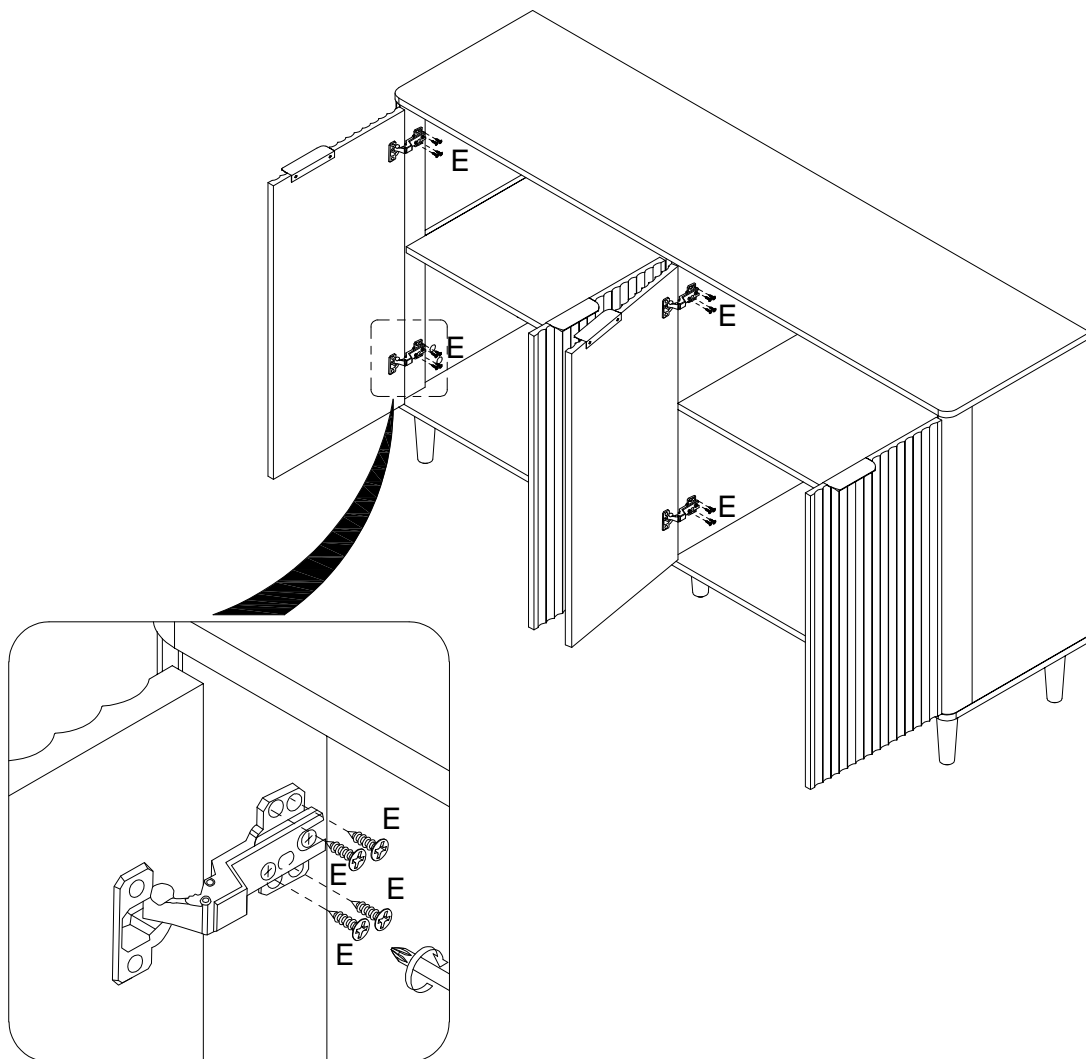
# 18

YOU WILL NEED

Ex32



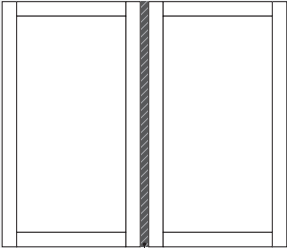
Ø3.5x14mm



# The ways to adjust the door:

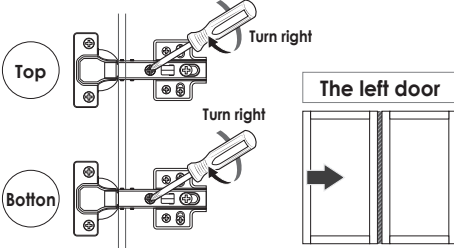
1. Before adjusting the hinge, please check whether the cabinet is skewed.
2. If the skew can not be repaired, adjust the cabinet to vertical position.
3. Please adjust the hinge with the door open

**Obvious gaps between doors or Doors don't look closed**



Have gap

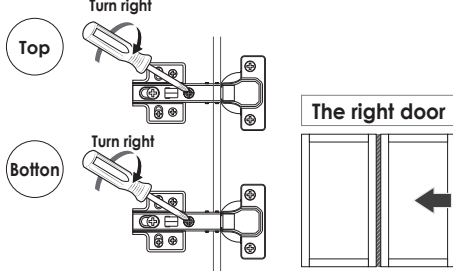
**1** Turn "internal & external screw" to the right can make the door approach inside. Please adjust the doors little by little.



Top Turn right

Bottom Turn right

The left door



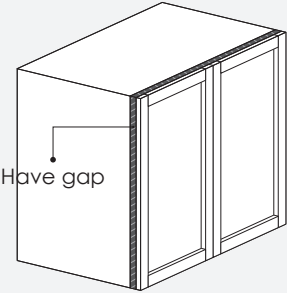
Top Turn right

Bottom Turn right

The right door

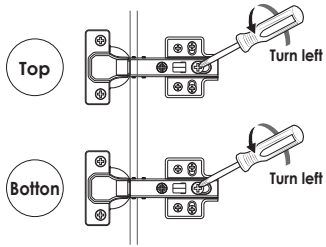
**\* If the 2 doors are overlap, please turn the "internal & external screw" to the left.**

**When door is crooked**



Have gap

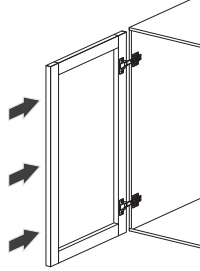
**1** Rotate the "front and rear screws" to the left.



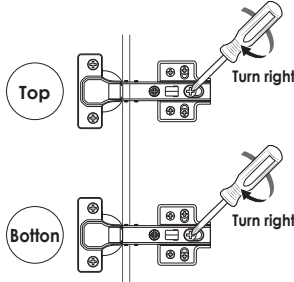
Top Turn left

Bottom Turn left

**2** Push the door to the cabinet.



**3** Rotate the "front and rear screws" to the right.

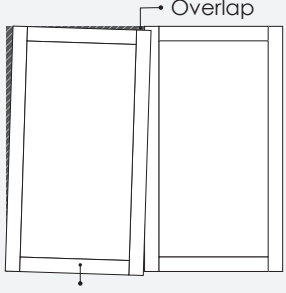


Top Turn right

Bottom Turn right

**\*After adjusting the "front and rear screw", the door still does not change, please turn the "internal & external screw" to the right Slightly.**

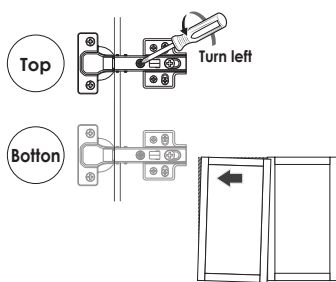
**When door is leaning**



Overlap

Protruding to the underside

Turn "internal & external screw" to the left can make the top of the door tilted outward.



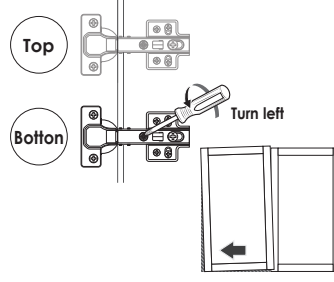
Top Turn left

Bottom Turn left

Protruding to the upside

Overlap

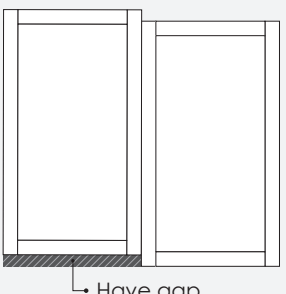
Turn "internal & external screw" to the left can make the bottom of the door tilted outward.



Top Turn left

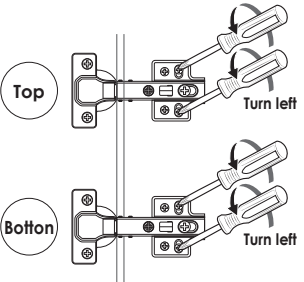
Bottom Turn left

**When the door is higher on top**



Have gap

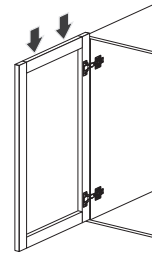
**1** Turn "up & down screw" to the left.



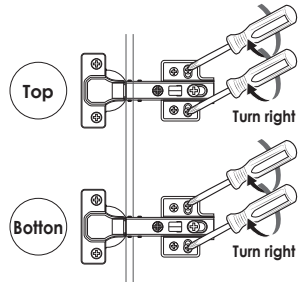
Top Turn left

Bottom Turn left

**2** Lower the door's height so that 2 doors are of the same height.



**3** Turn "up & down screw" to the right.



Top Turn right

Bottom Turn right

**\*If the door is lower on bottom, please lift up the left door slightly on step 2.**

# INSTALLATION STEPS

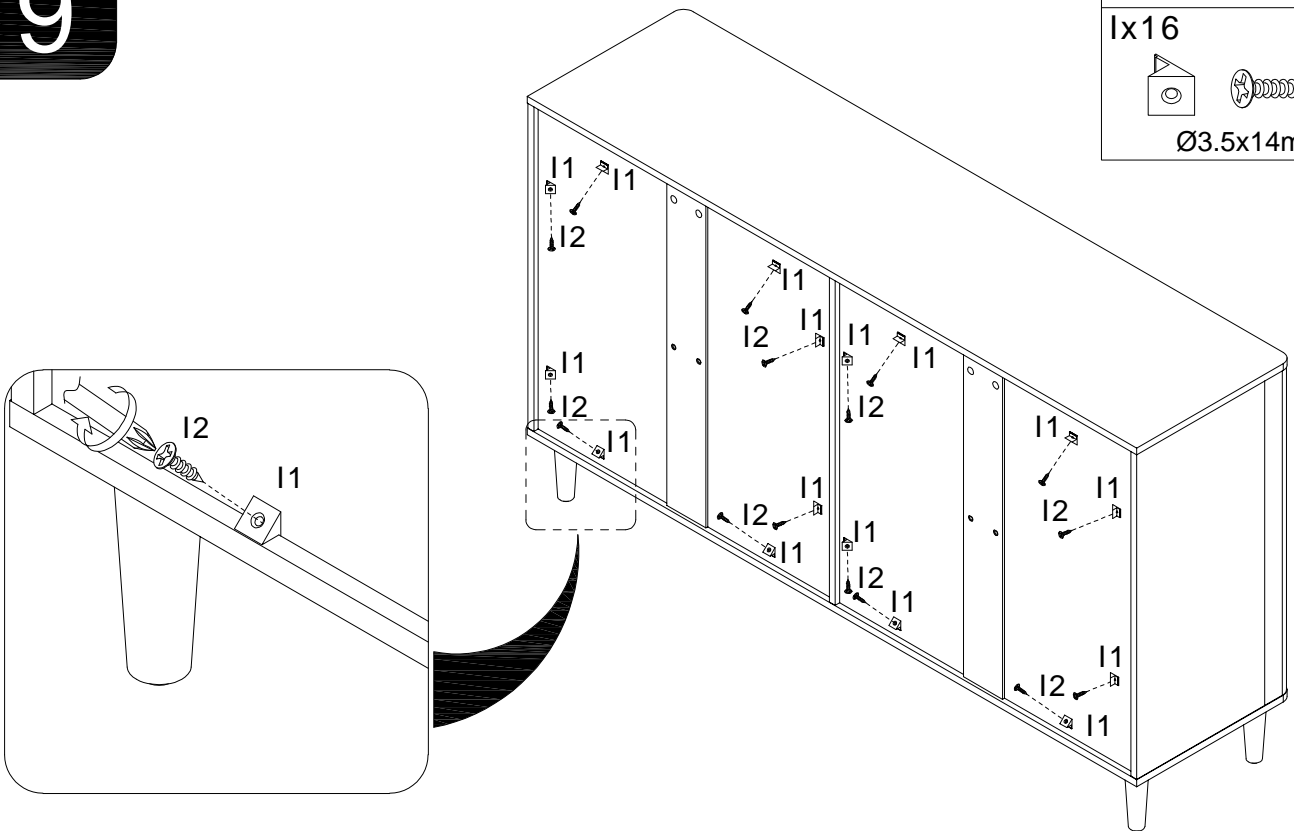
## 19

YOU WILL NEED

Ix16



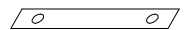
Ø3.5x14mm



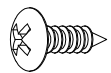
## 20

YOU WILL NEED

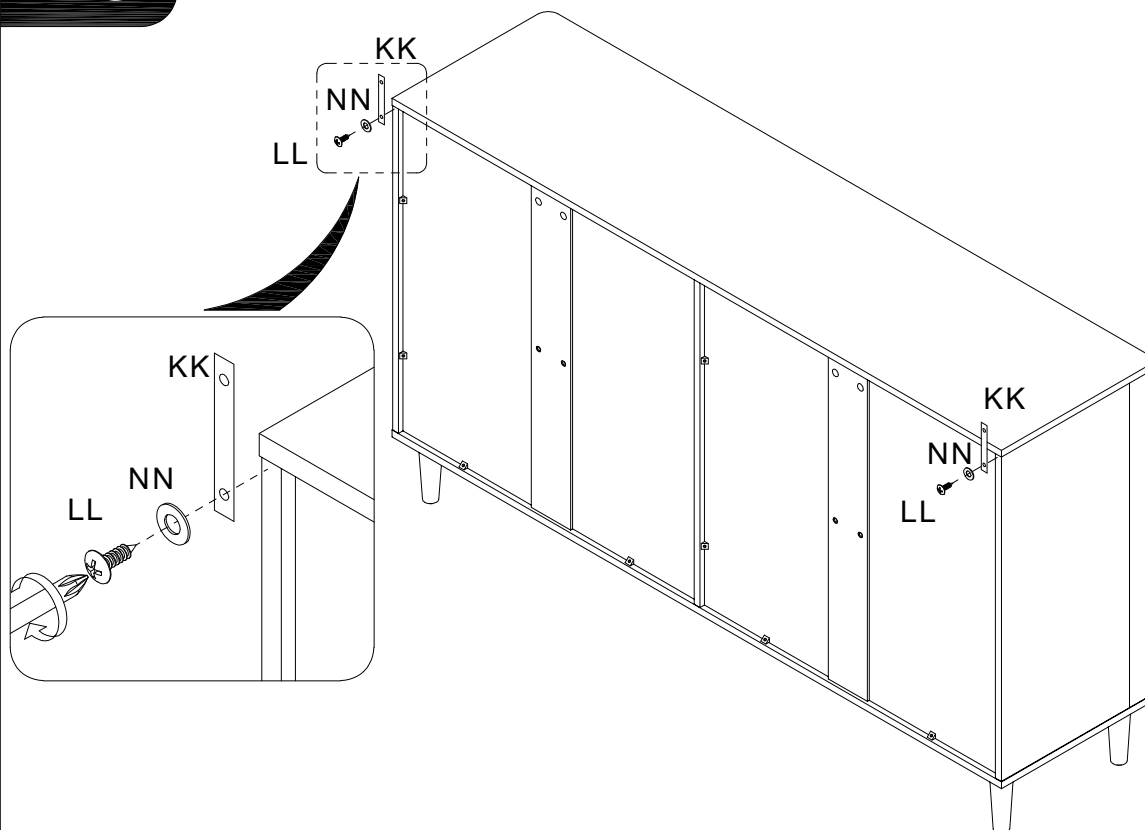
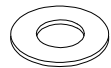
KKx2



LLx2



NNx2



# INSTALLATION STEPS

## 21

### IMPORTANT!

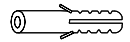
For safety reasons, we recommend that you install the anti-tip accessory by following the instructions below. If installed correctly, this accessory may prevent the unit from accidentally tipping over.

YOU WILL NEED

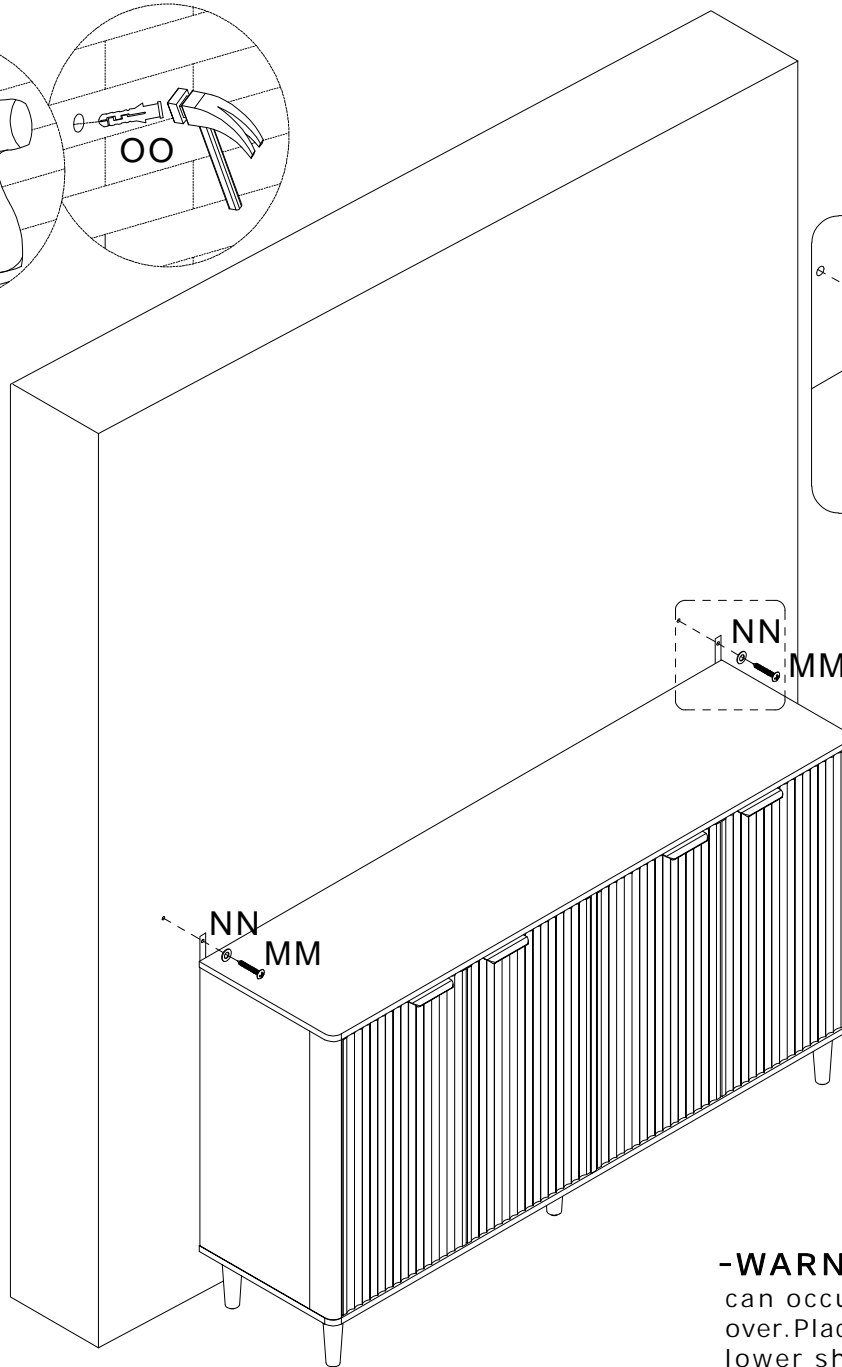
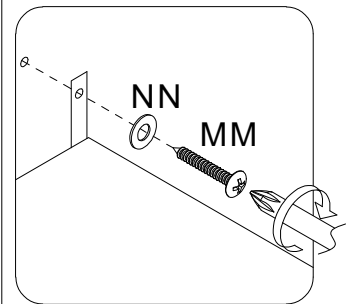
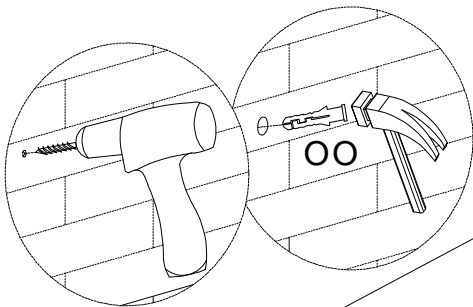
MMx2



OOx2



NNx2



**-WARNING-** Serious injury can occur if furniture tips over. Place heavy items on lower shelved and as far back as possible.