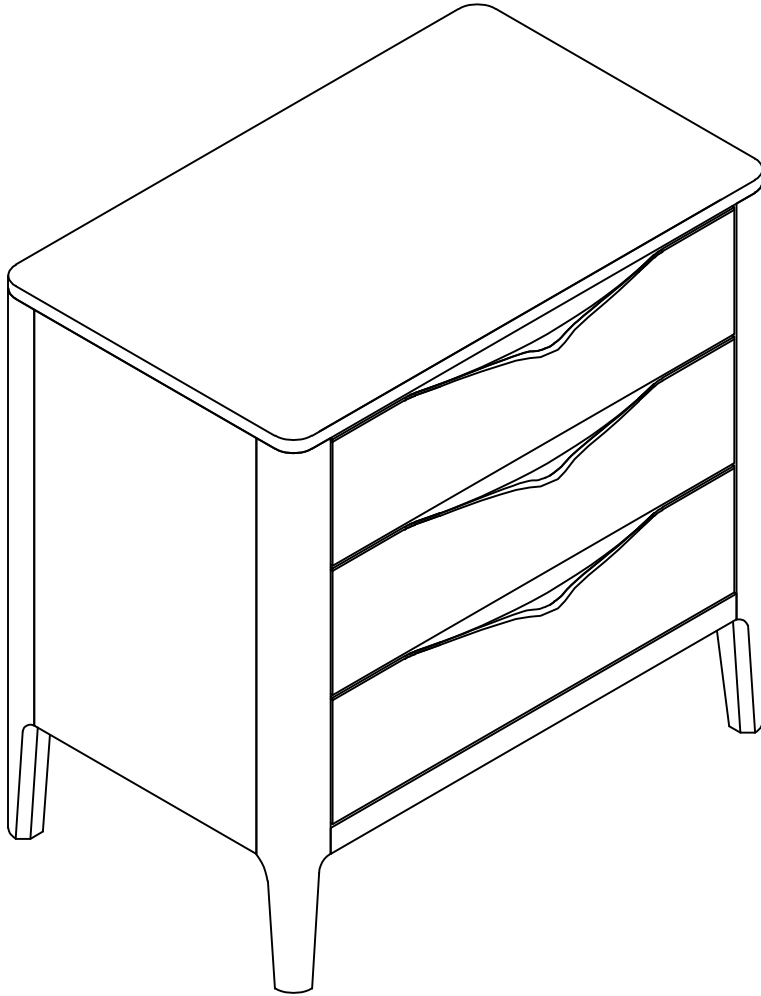


Owner Manual



NOTE:

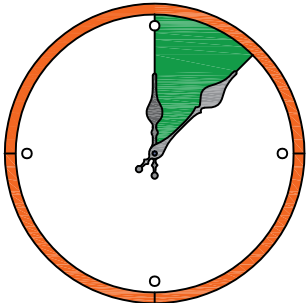
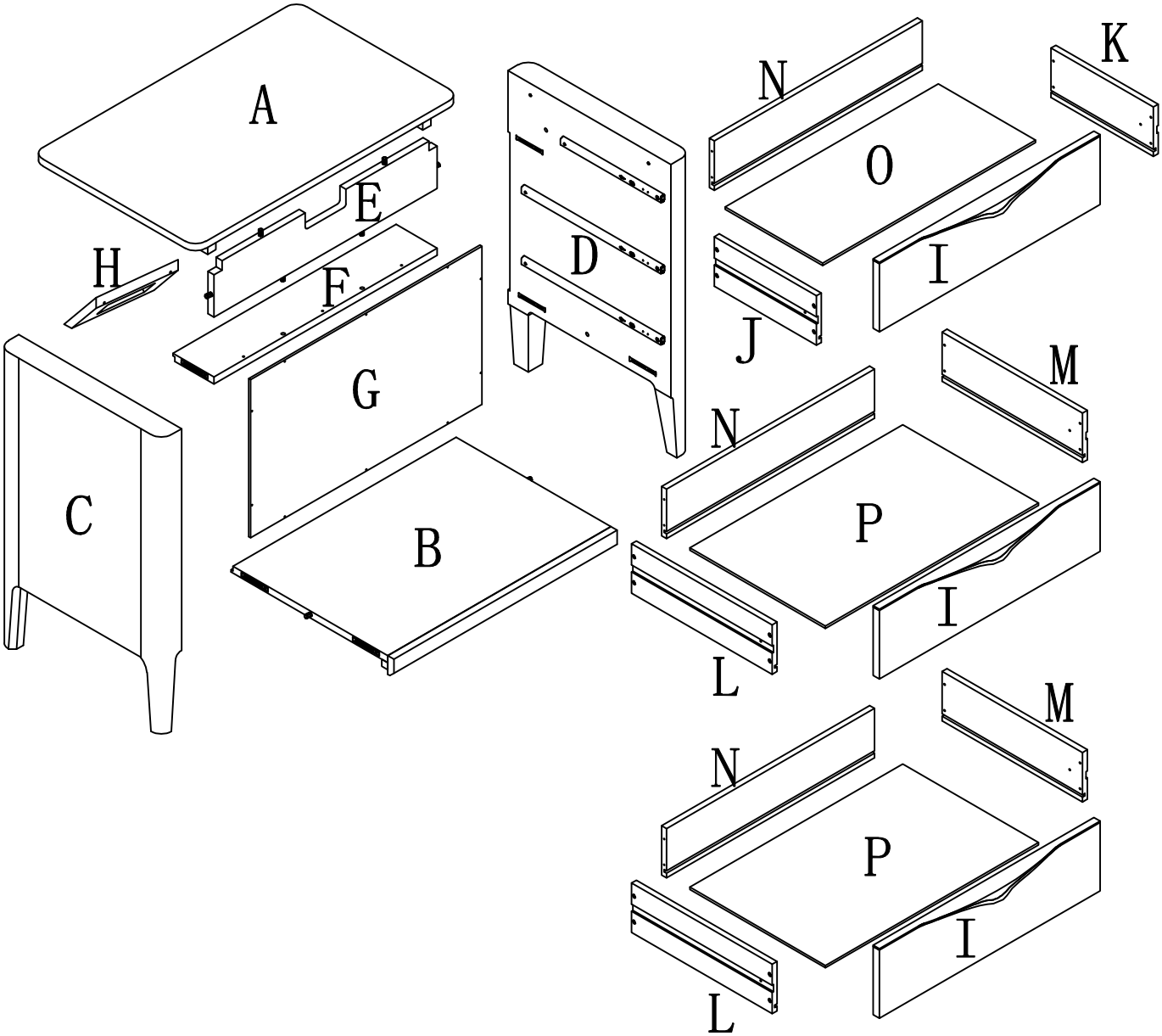
This brochure contains IMPORTANT safety info. Please read and keep for future reference.

MAINTENANCE AND WARNINGS

- 1.Keep furniture away from heat sources.
- 2.Do not clean furniture with harsh cleaner or polishes.Do not use detergents,solvents,abrasives,spray packs or leather cleaner. Use non-color mild soa with warm water to clean spills(Mix 1:10 soap to water).
- 3.Do not place furniture under direct sunlight,material will possibly fade over time.
- 4.Do not use on site dry cleaning machine.Children should not climb or jump on the furniture.
- 5.Do not write on furniture that is not protectedby a padded barrier.
- 6.Not for commercial use,only for residential use.

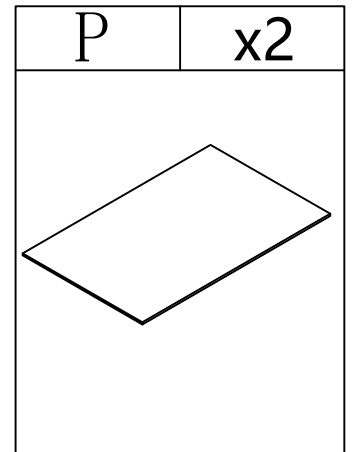
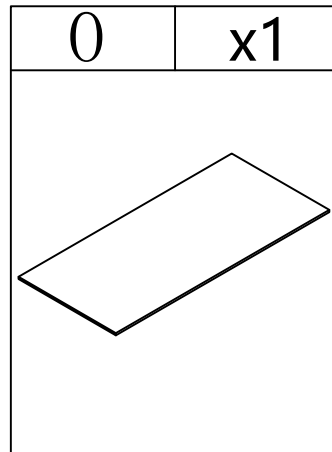
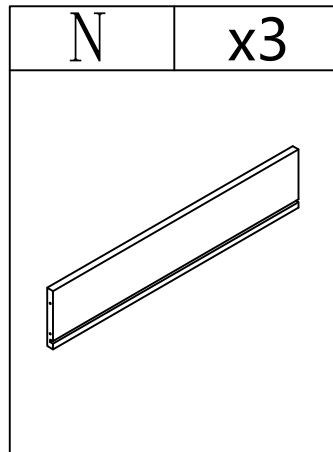
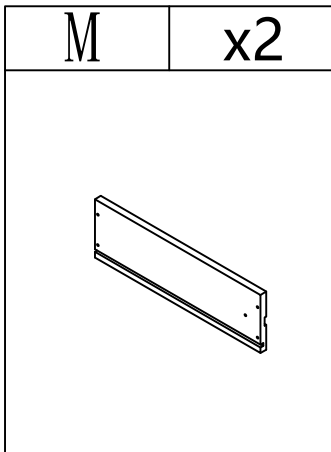
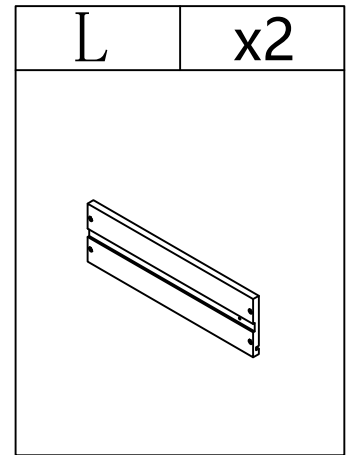
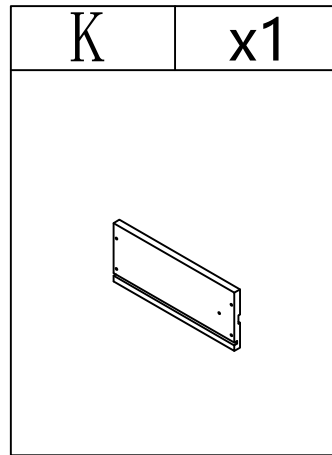
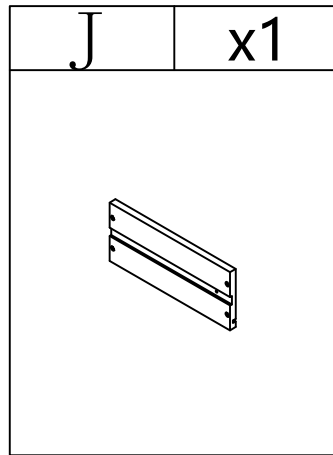
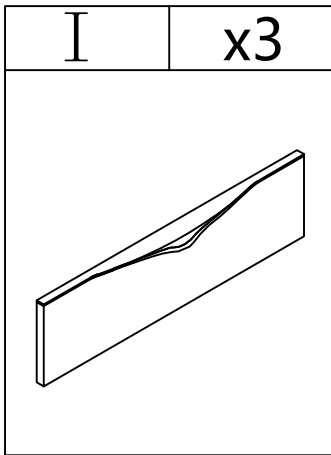
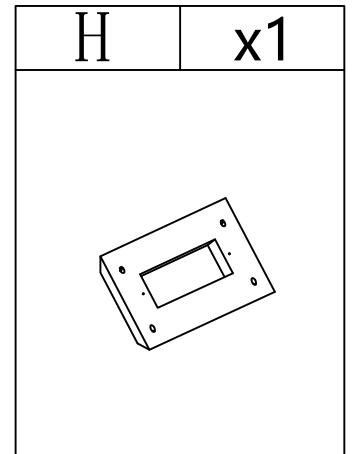
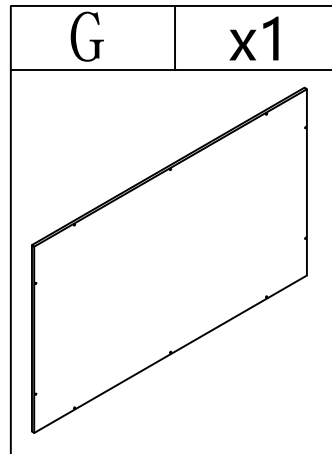
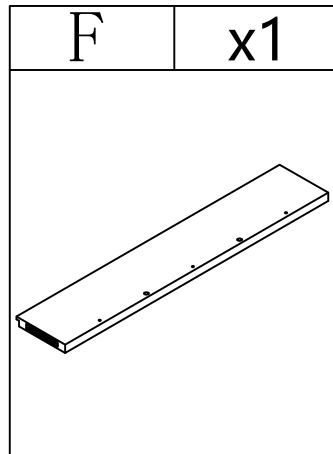
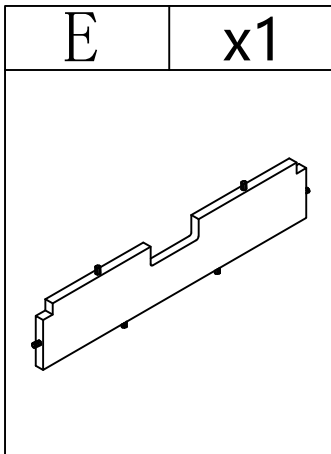
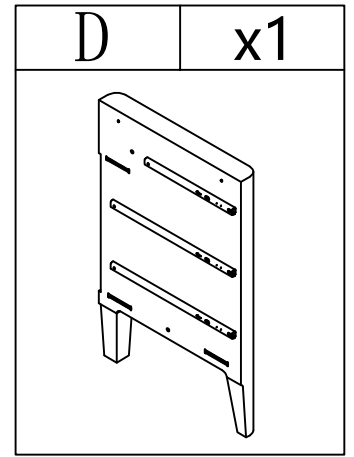
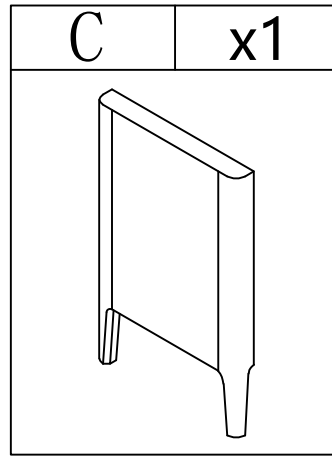
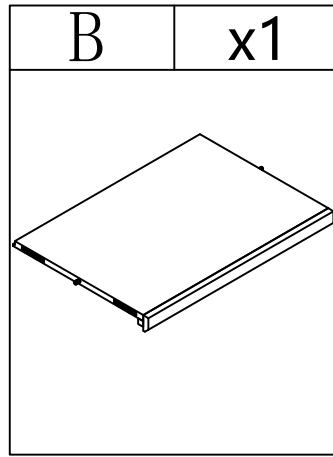
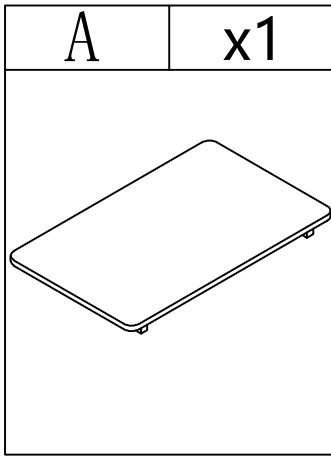


EXPLOSIVE VIEW

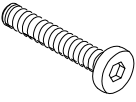

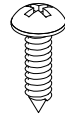
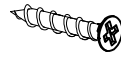
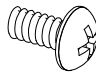
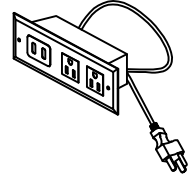
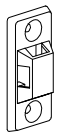
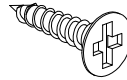

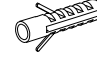



Around 65 min

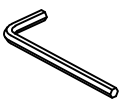
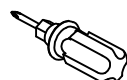
PARTS LIST



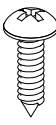
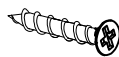
HARDWARE LIST

#1	x4	#2	x4	#3	x12	#4	x31	#5	x12	#6	x1
											
φ1/4"*1-1/4"		φ1/4"		φ3*14mm		φ8#*1"		φ5/32"#*1/2"			
#7	x4	#8	x4	#9	x4	#10	x4	#11	x2		
											
		φ3*16mm*6#		φ3.5*35mm*7#							

TOOL LIST

#12	x1	#13	x1
			
M4			

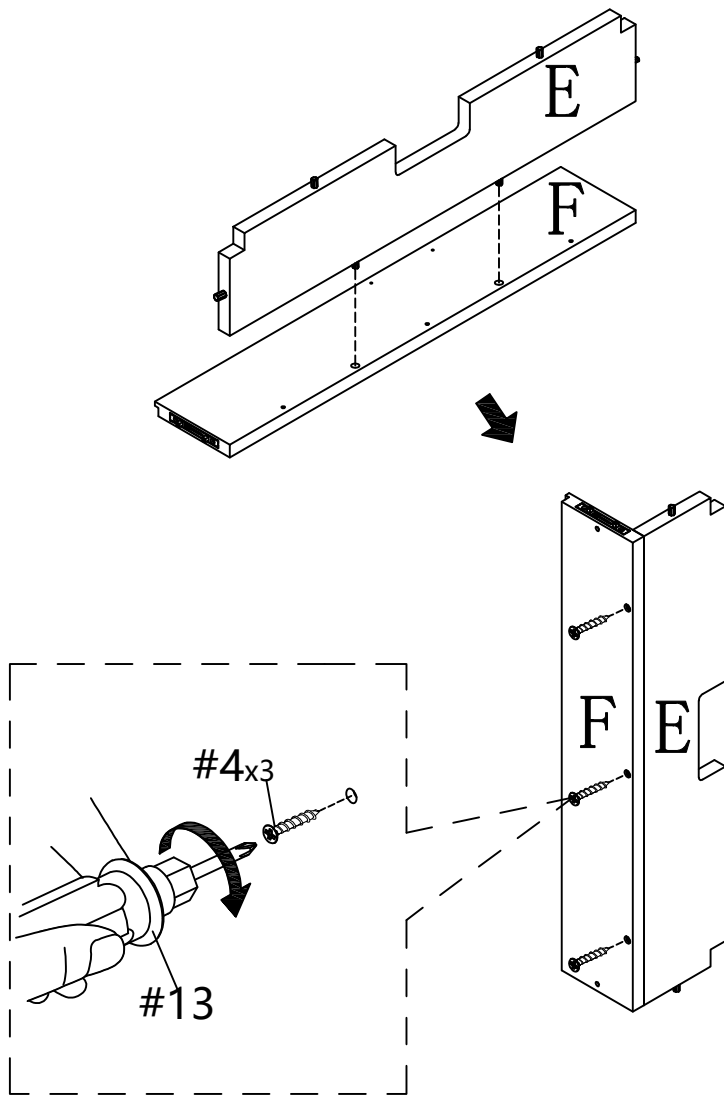
HARDWARE SPARE LIST

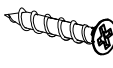
#3	x1	#4	x1
			
φ3*14mm		φ8#*1"	

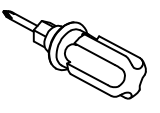
ASSEMBLY INSTRUCTIONS

STEP-1

1. Insert part (E) into part (F), make sure all holes align. connect part (E) to part(F) with screw #4, tight screw with screwdriver #13.



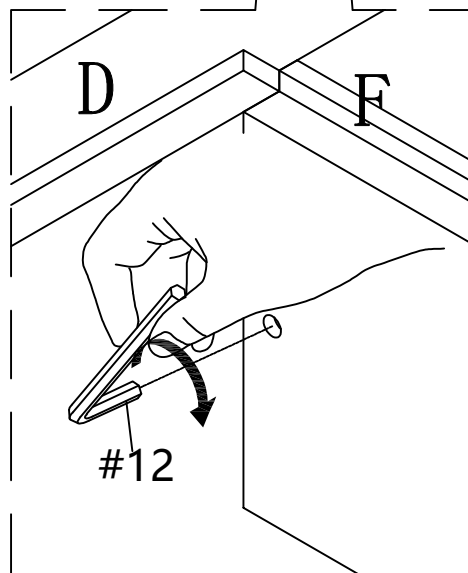
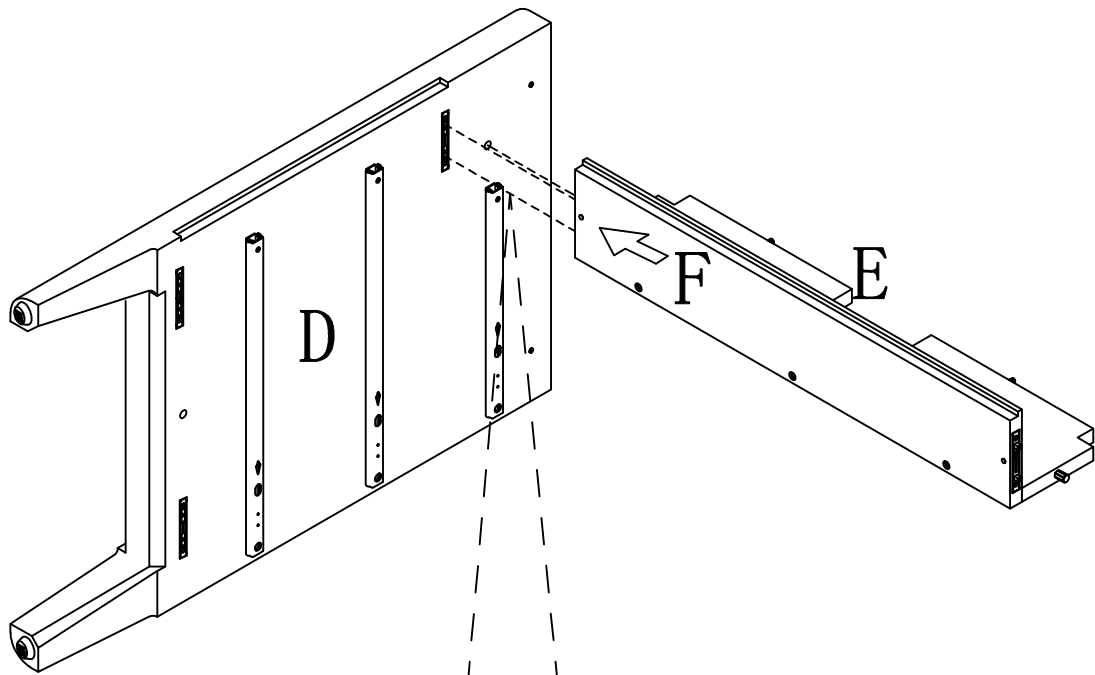
#4	x3
	
ø8#*1"	

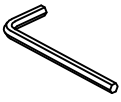
#13	x1
	

ASSEMBLY INSTRUCTIONS

STEP-2

1. Insert panel (E&F) into panel (D), make sure all holes aligned and then tighten it with allen key #12 as picture show.

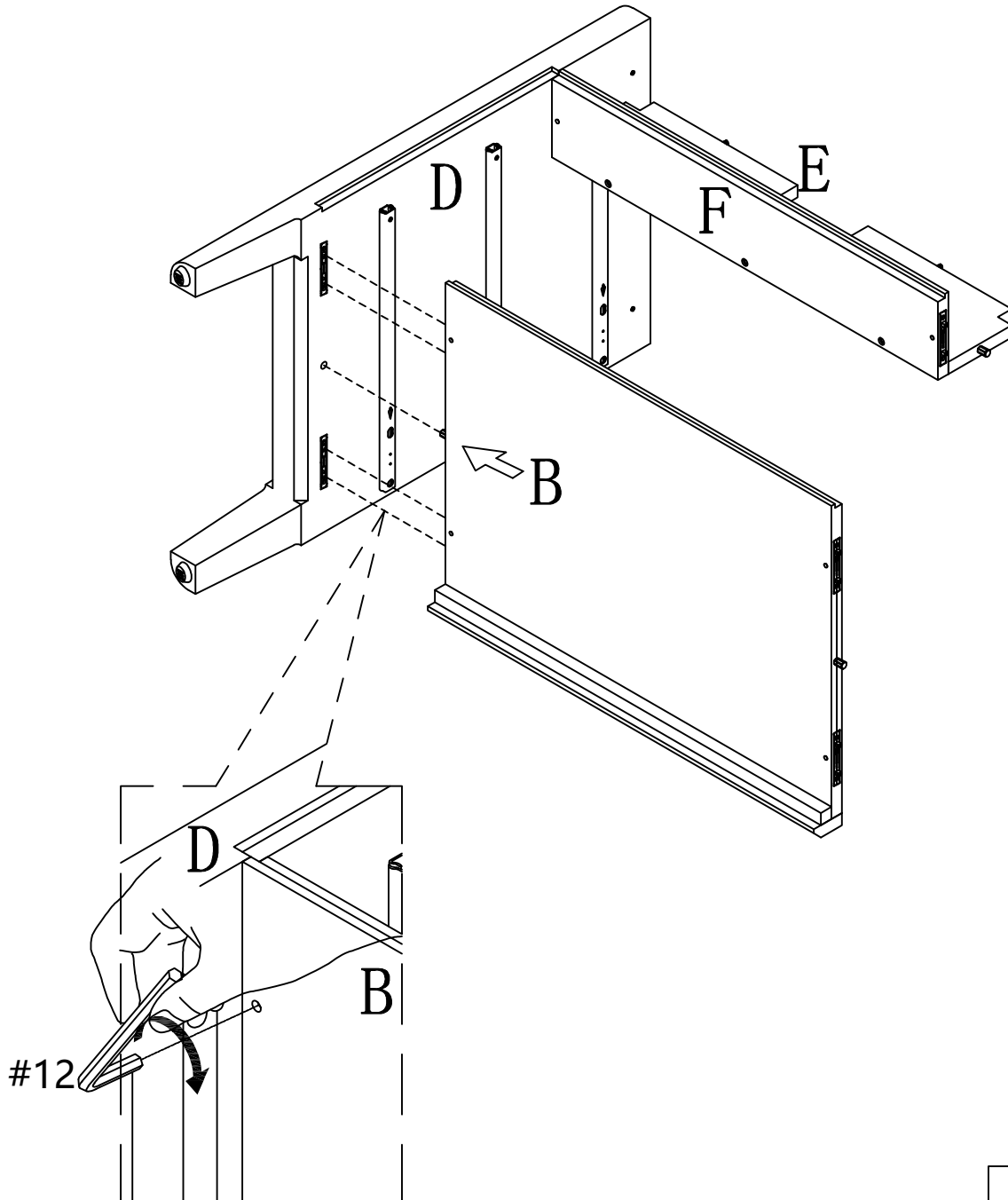


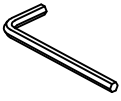
#12	x1
	
M4	

ASSEMBLY INSTRUCTIONS

STEP-3

1. Insert panel (B) into panel (D), make sure all holes aligned and then tighten it with allen key #12 as picture show.

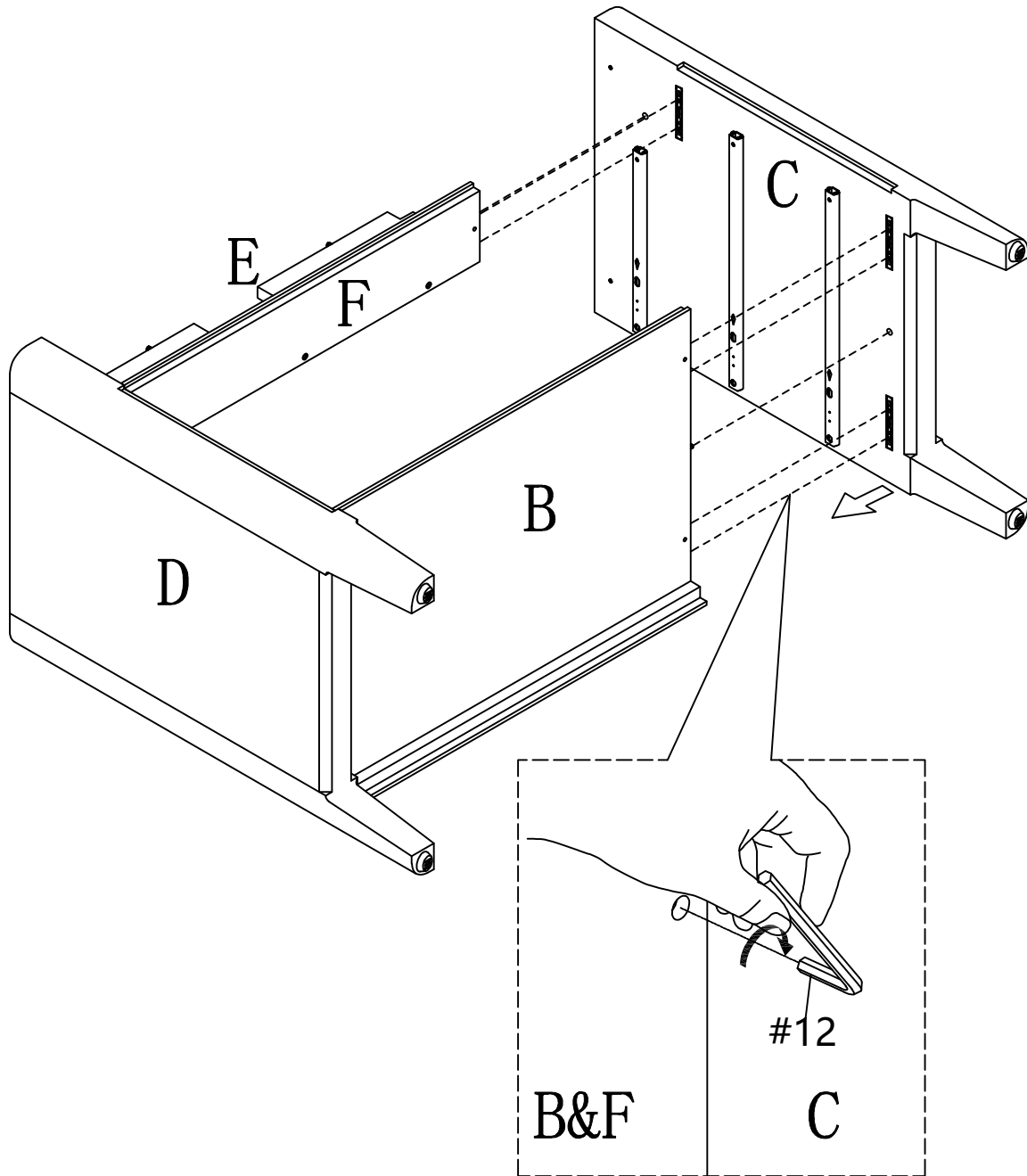


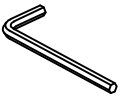
#12	x1
	
M4	

ASSEMBLY INSTRUCTIONS

STEP-4

1. Insert side panel (C) into the corresponding hole of pre-assembled unit at step 3 , make sure all holes aligned and use allen key #12 to tighten it as picture show.

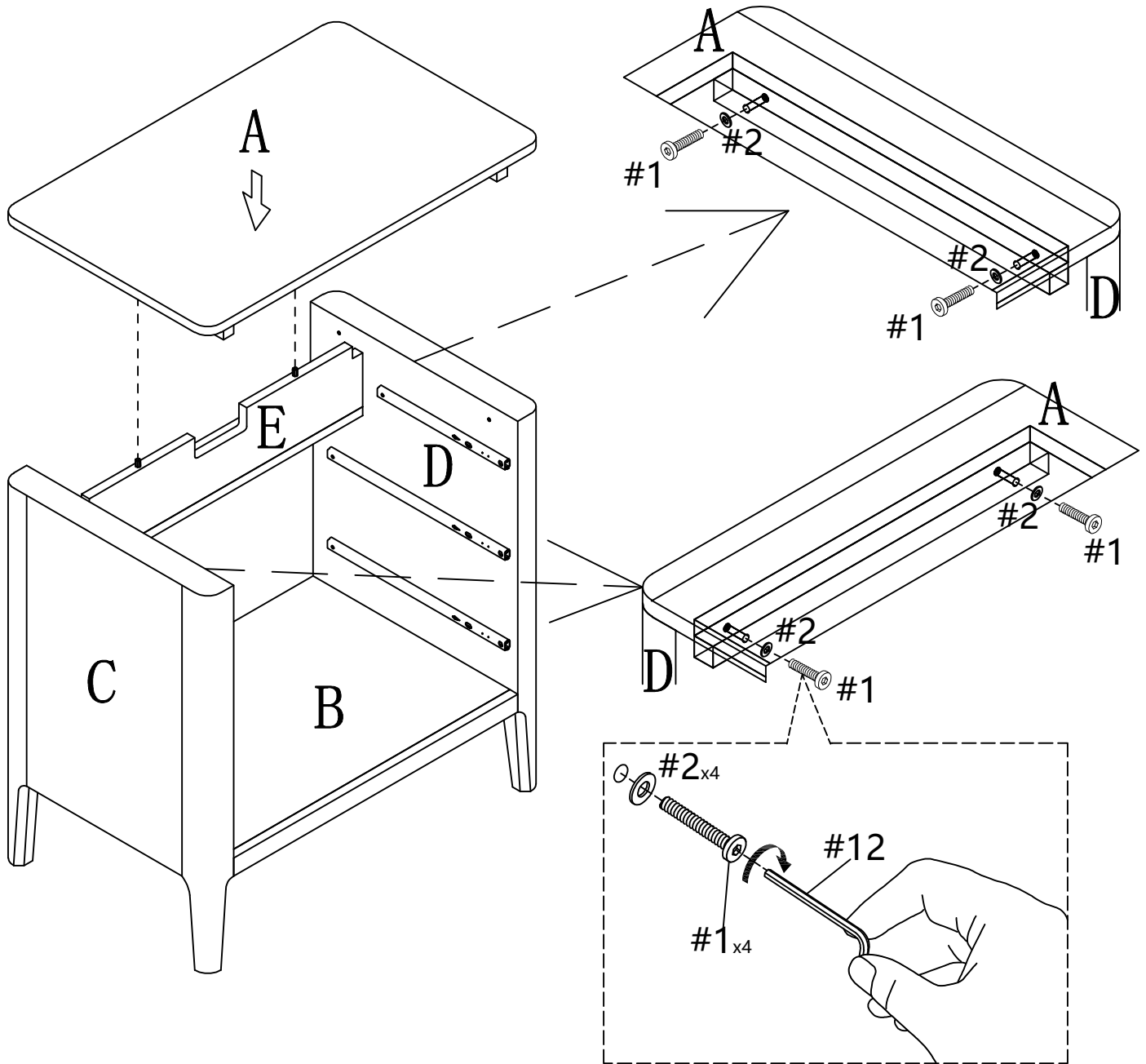


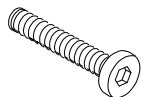

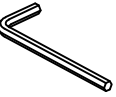
#12	x1
	
M4	

ASSEMBLY INSTRUCTIONS

STEP-5

1.connect part(A) to the unit pre-assembled at step 4 with bolt #1 and flat washer #2. tight bolt with allen key #12 as picture show.

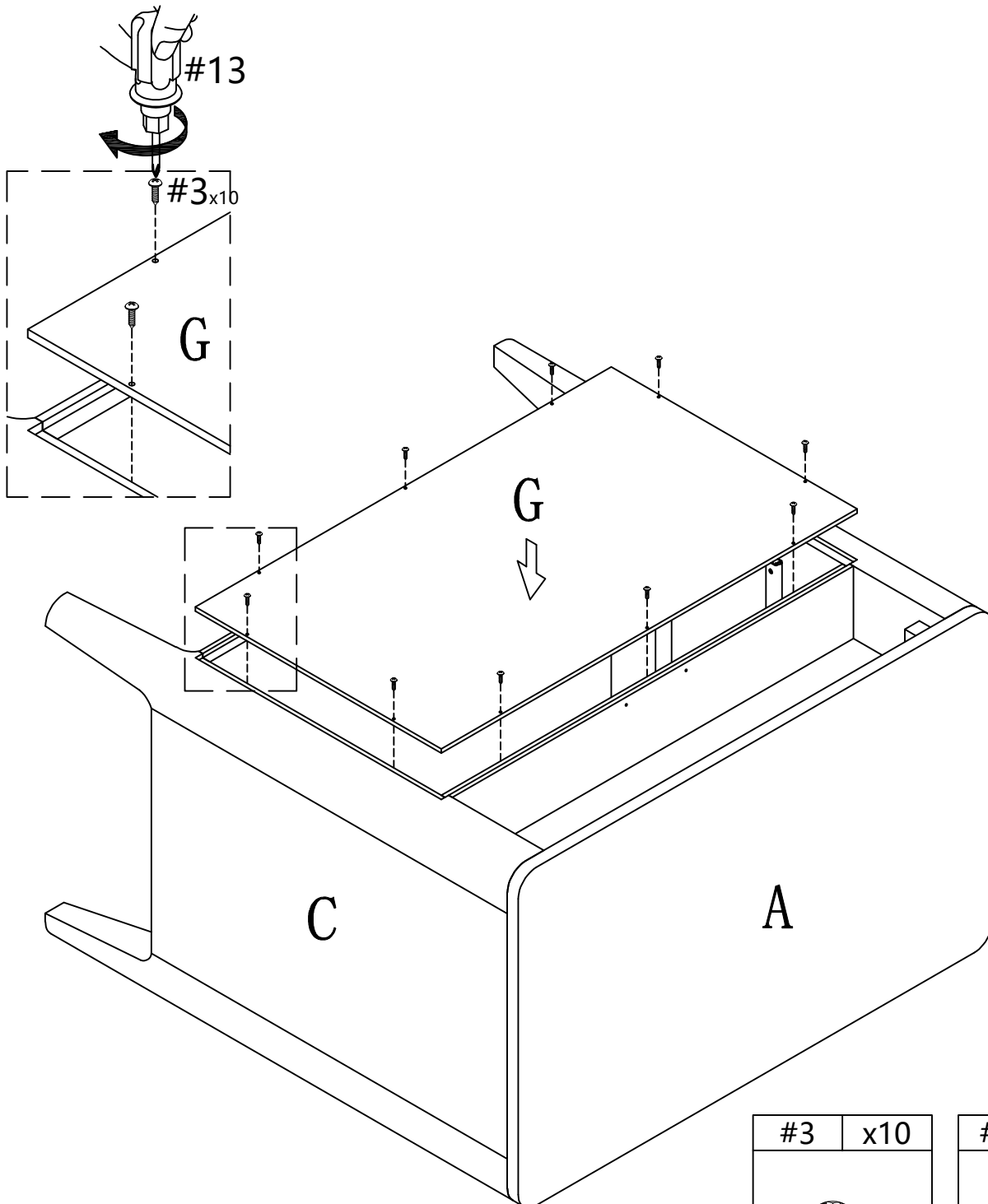


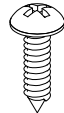
#1	x4	#2	x4	#12	x1
					
Ø1/4" * 1-1/4"		Ø1/4"		M4	

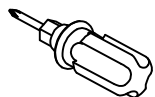
ASSEMBLY INSTRUCTIONS

STEP-6

1.insert back panel(G) into the groove of preassembled step 5,make sure all holes aligned and use screw#3 to attach them , tighten screw #3 with screwdriver#13.



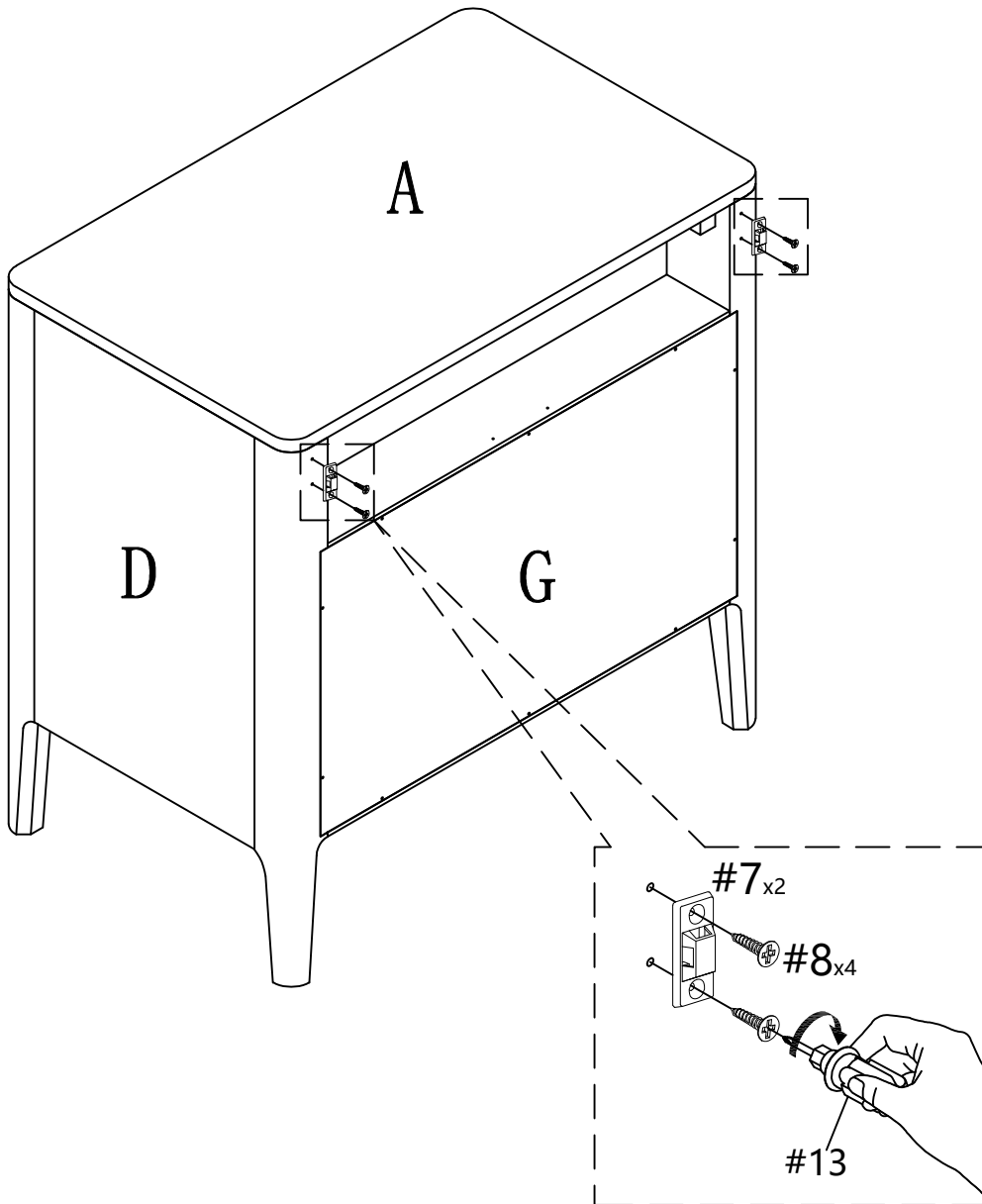
#3	x10
	
ø3*14mm	

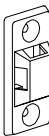

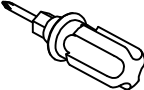
#13	x1
	

ASSEMBLY INSTRUCTIONS

STEP-7

1. connect part #7 to part (C&D) with screw #8, tight screw with screwdriver #13.

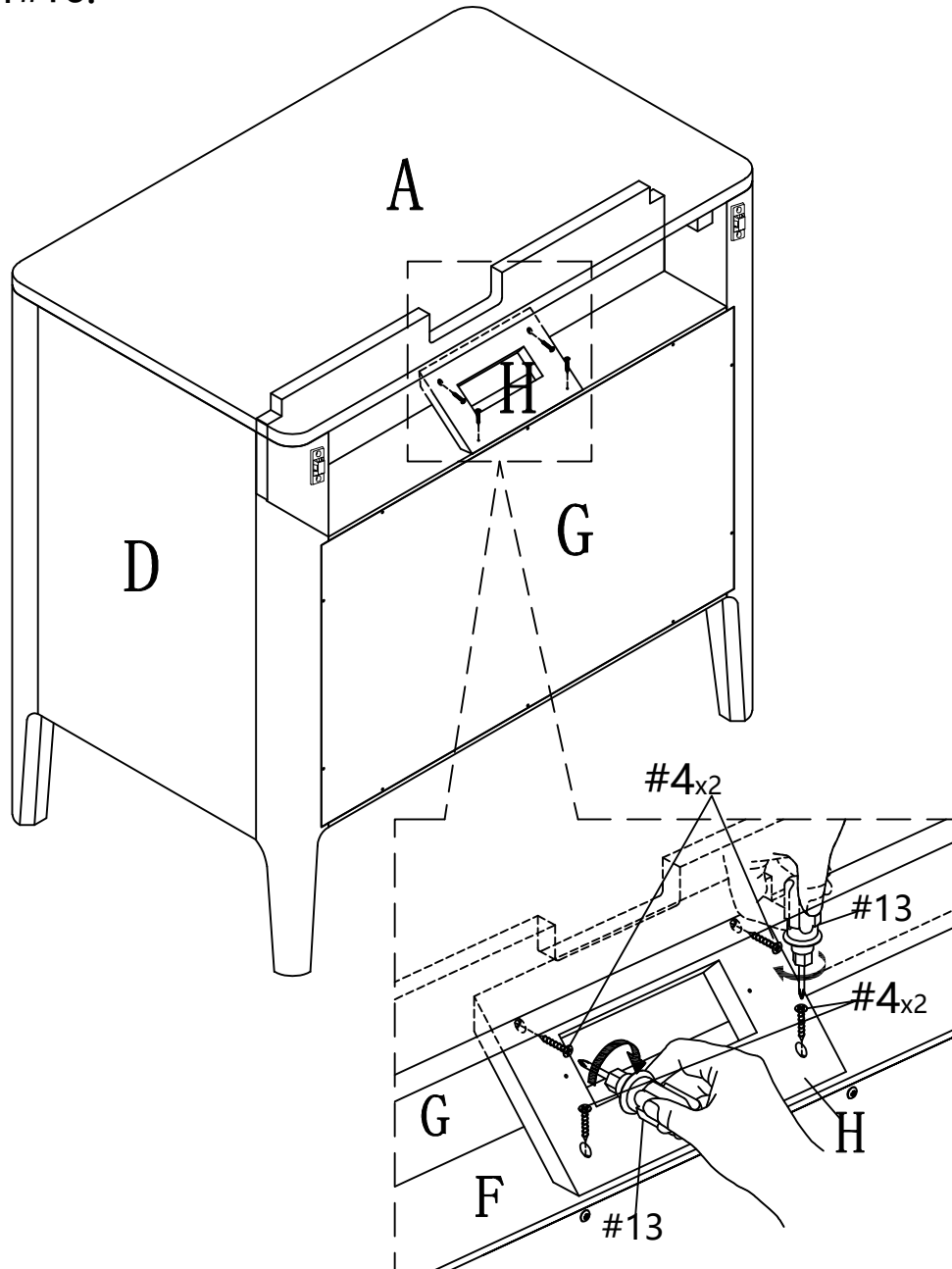


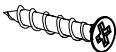
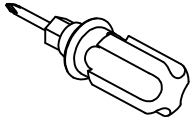
#7	x2	#8	x4	#13	x1
					
		ø3*16mm*6#			

ASSEMBLY INSTRUCTIONS

STEP-8

1.insert part (H) into the preassembled step 7,make sure all holes aligned and use screw#4 to attach them , tighten screw #4 with screwdriver#13.

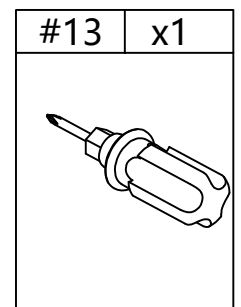
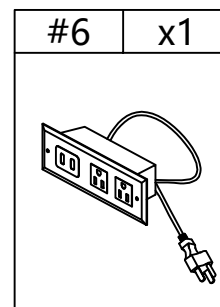
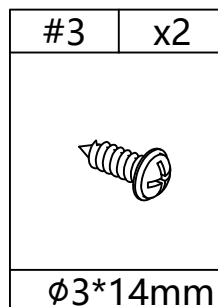
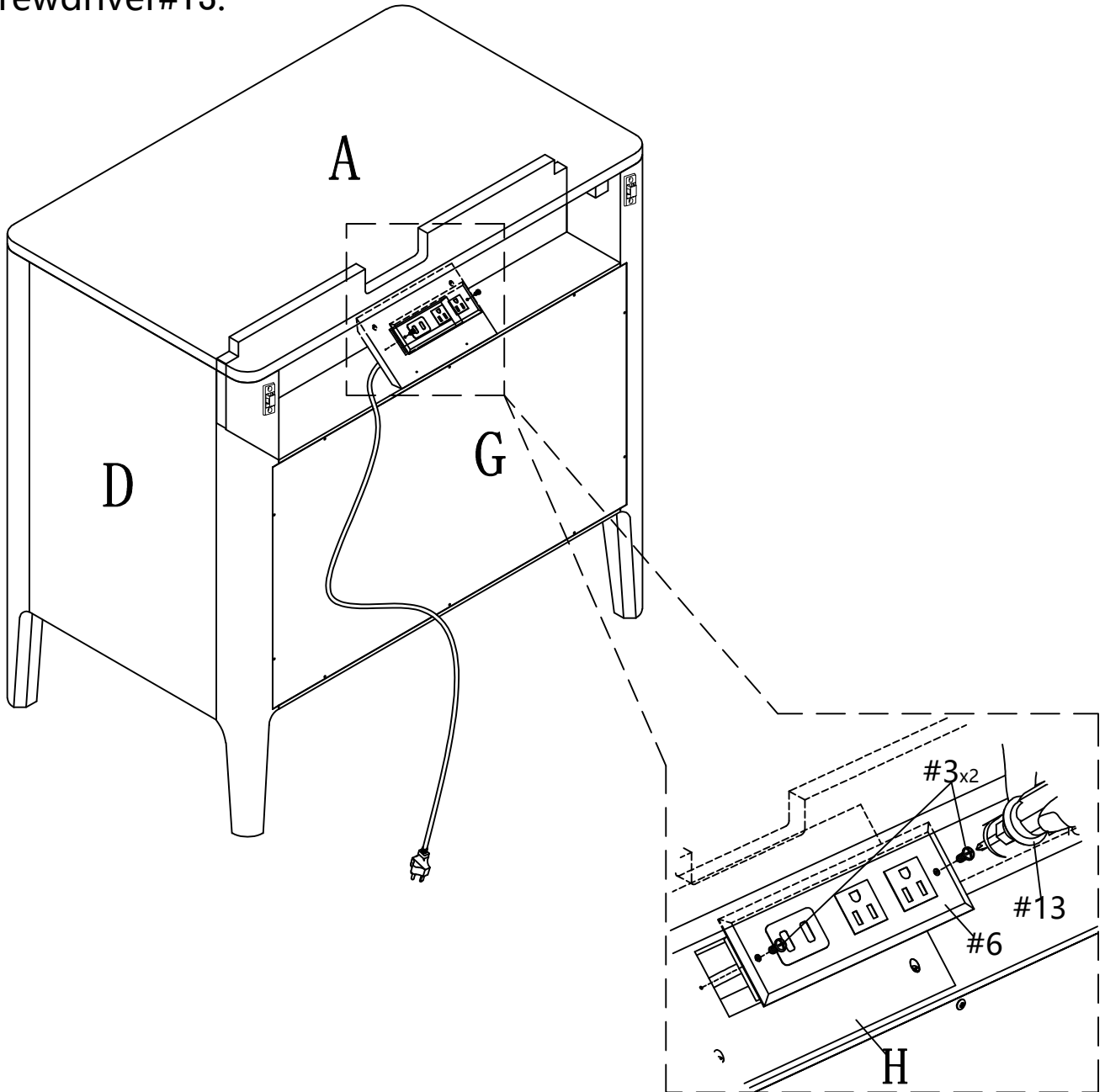


#4	x4	#13	x1
			
ø8#*1"			

ASSEMBLY INSTRUCTIONS

STEP-9

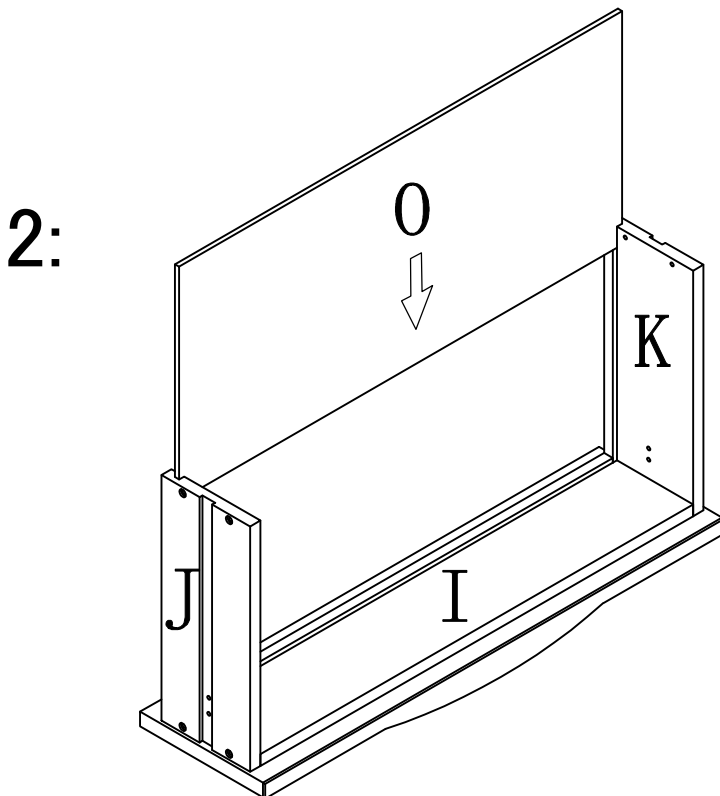
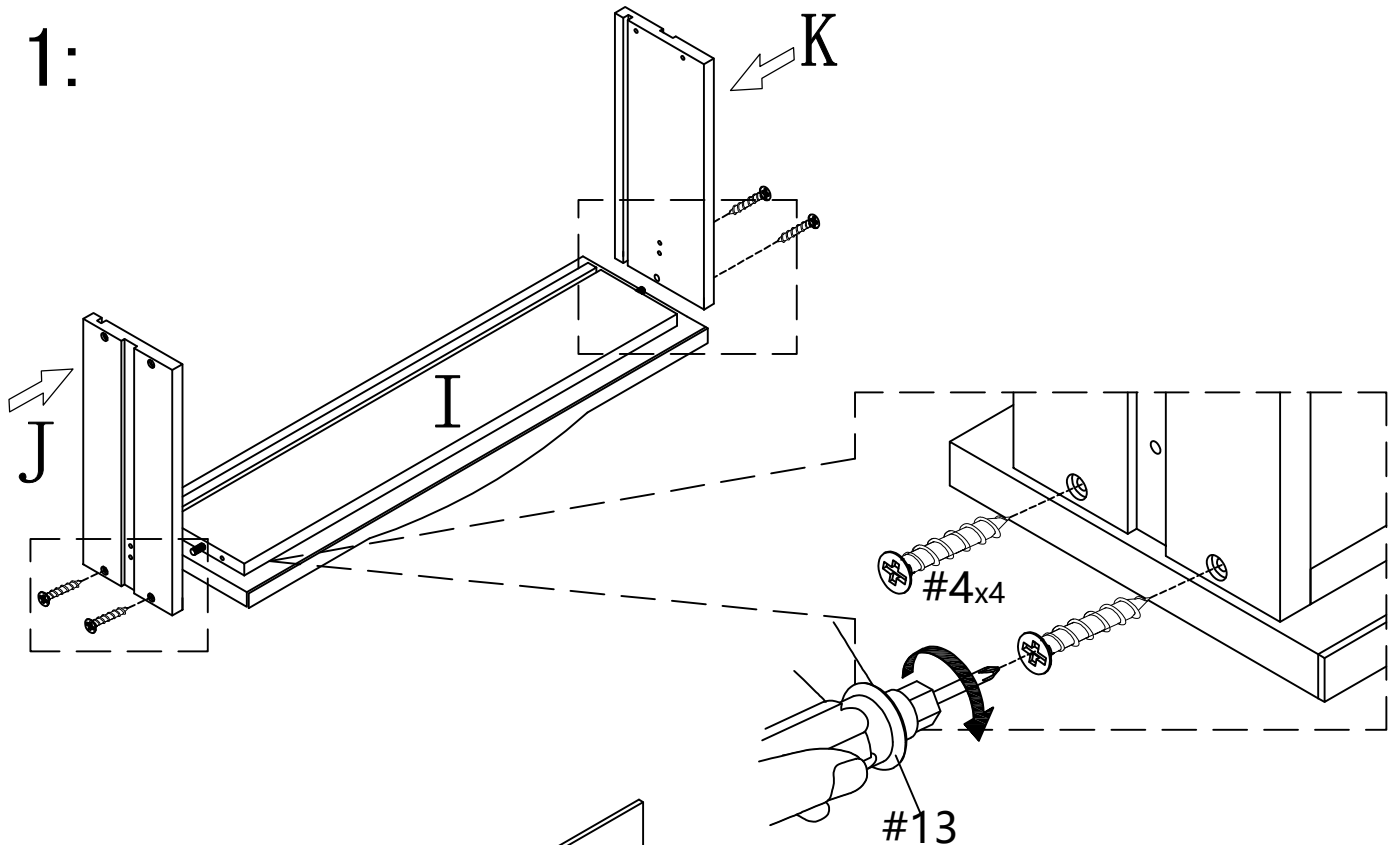
1.insert part #6 into the preassembled step 8,make sure all holes aligned and use screw#3 to attach them , tighten screw #3 with screwdriver#13.

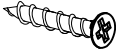
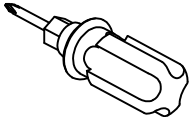


ASSEMBLY INSTRUCTIONS

STEP-10

1. Connect part (J&K) to part (I) using screw #4 and tighten it with screwdriver #13. Slide in the part (O) into the groove in part (J&K). make sure they are also in groove in part (I).

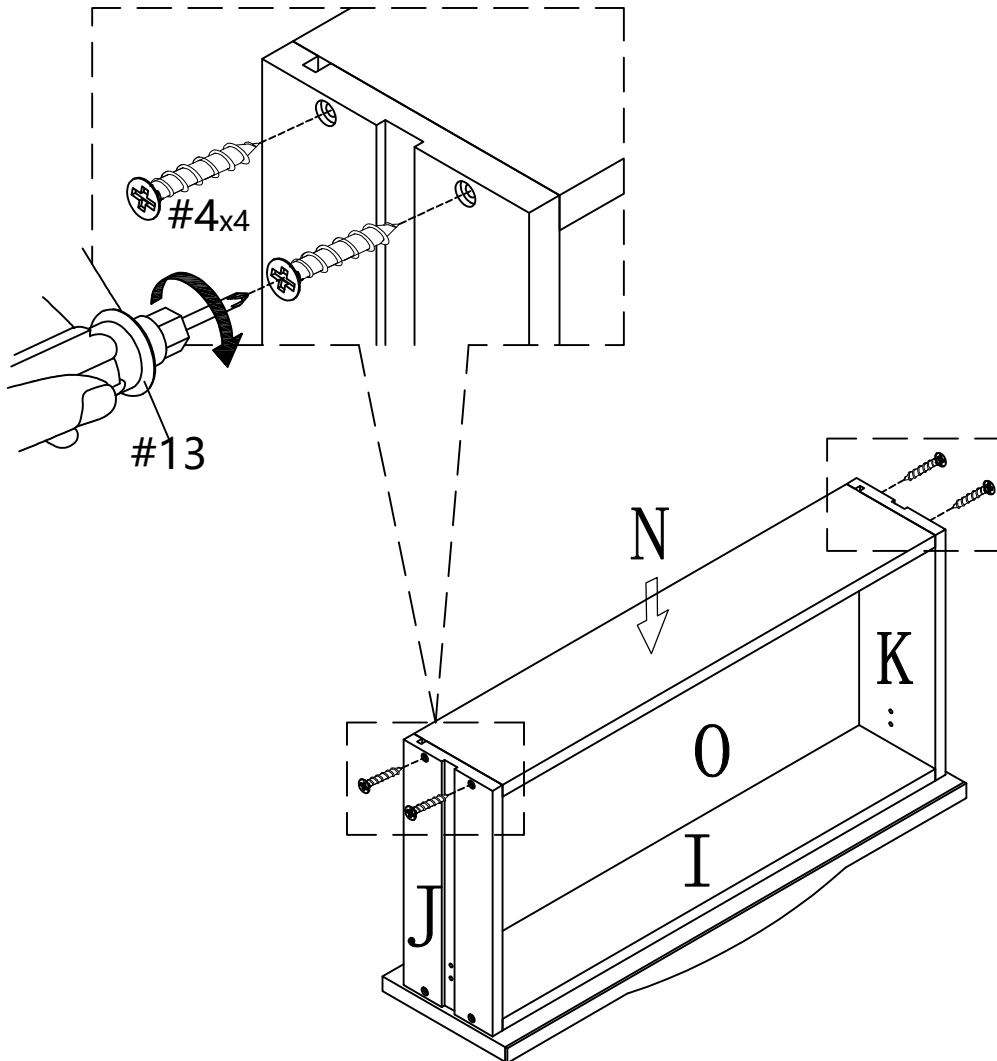


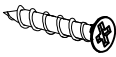
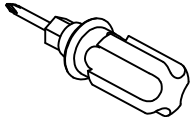
#4	x4	#13	x1
			
φ8#*1"			

ASSEMBLY INSTRUCTIONS

STEP-11

1. Connect part (J&K) to part (N) using screw #4 and tighten it with screwdriver #13.

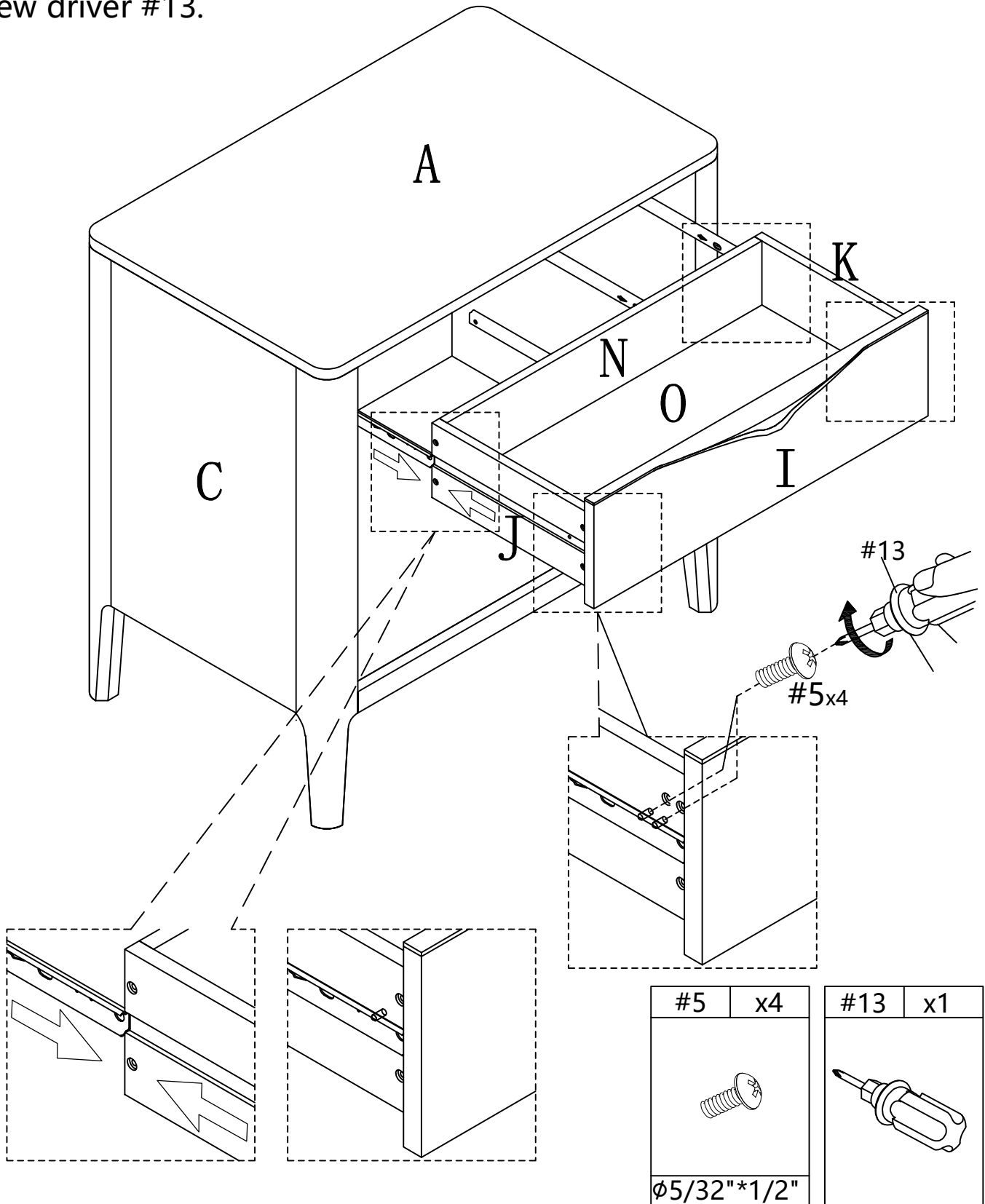


#4	x4	#13	x1
			
ø8#*1"			

ASSEMBLY INSTRUCTIONS

STEP-12

1. pull out the slide and attach the drawer (I) to it, make sure the slide in the groove of part(J/K) and the end reach the drawer front (I).
2. connect the drawer to the slide with screw #5 and tight it with screw driver #13.

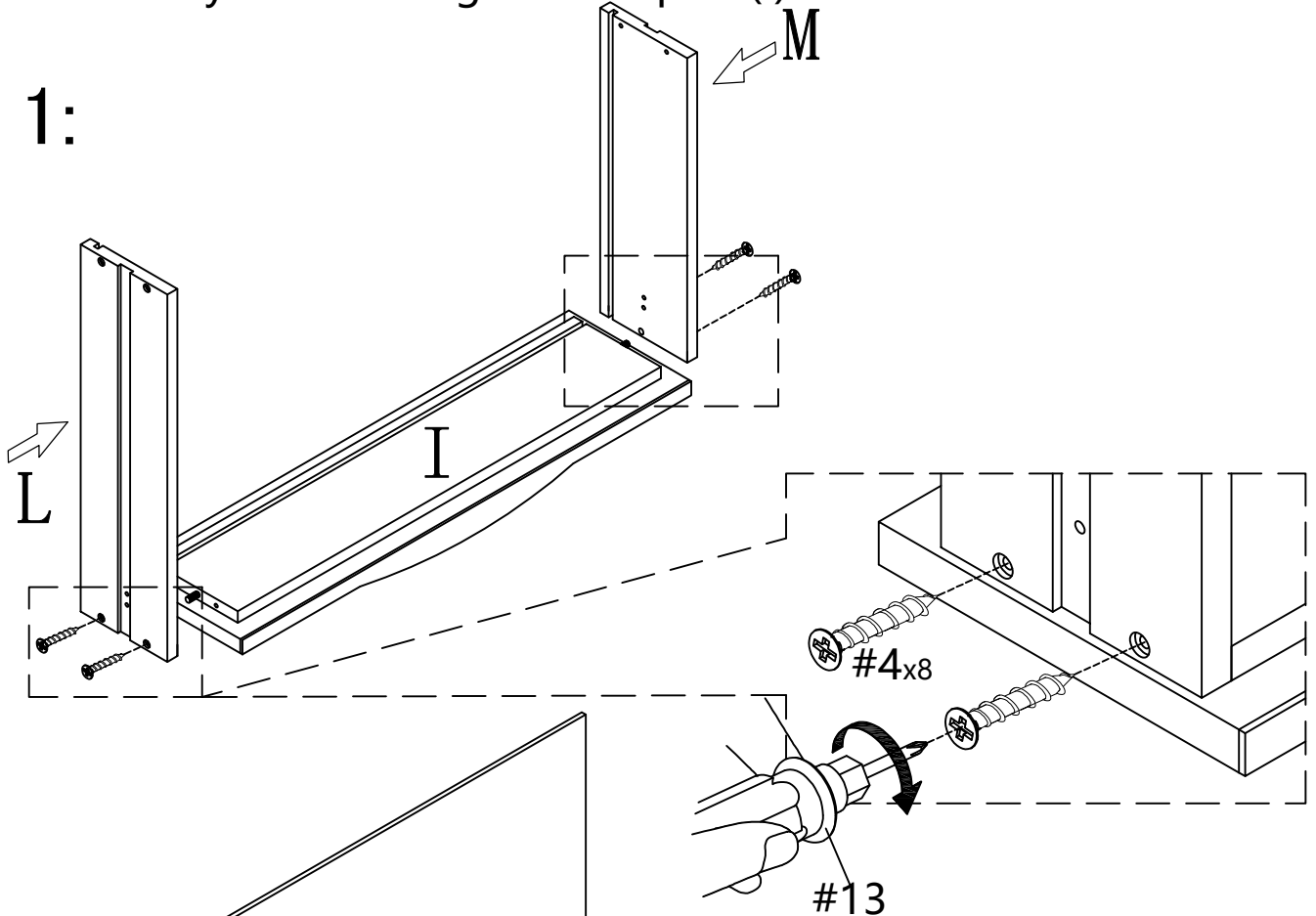


ASSEMBLY INSTRUCTIONS

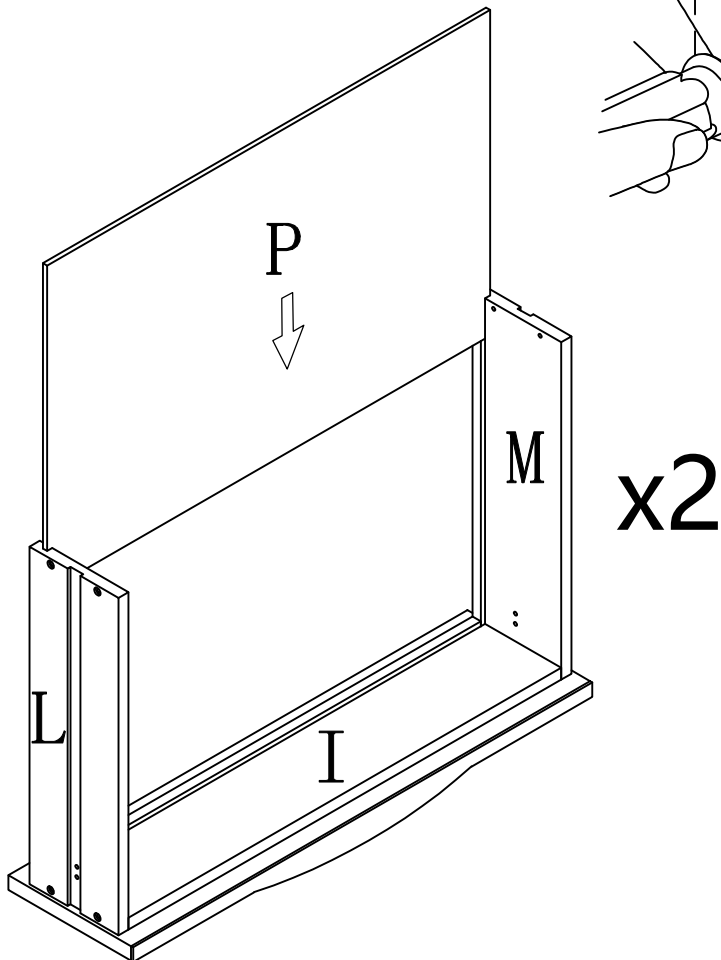
STEP-13

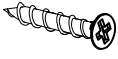
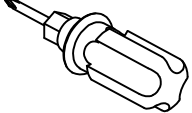
1. Connect part (L&M) to part (I) using screw #4 and tighten it with screwdriver #13. Slide in the part (P) into the groove in part (L&M). make sure they are also in groove in part (I).

1:



2:

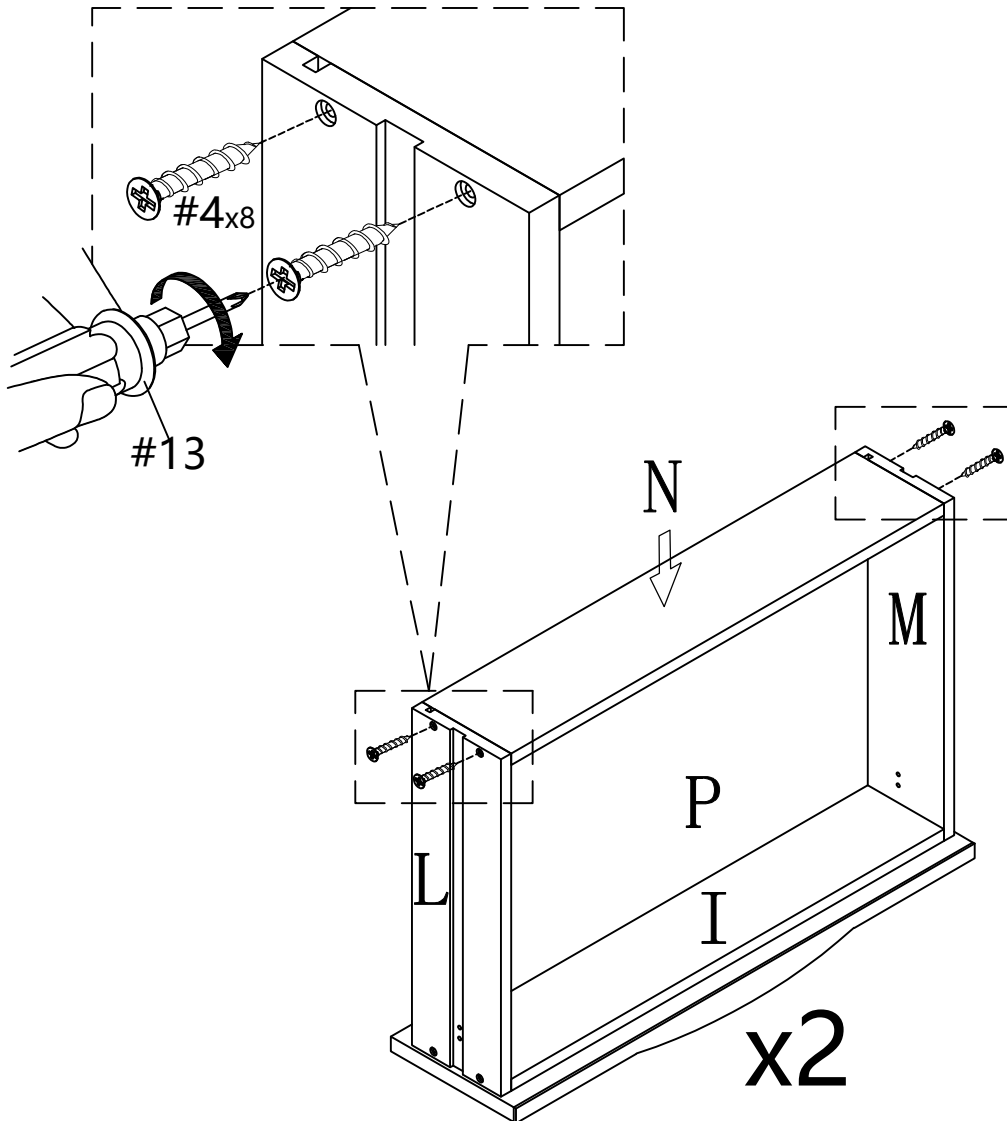


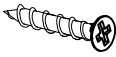
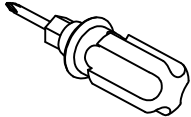
#4	x8	#13	x1
			
$\phi 8 \# * 1''$			

ASSEMBLY INSTRUCTIONS

STEP-14

1. Connect part (L&M) to part (N) using screw #4 and tighten it with screwdriver #13.

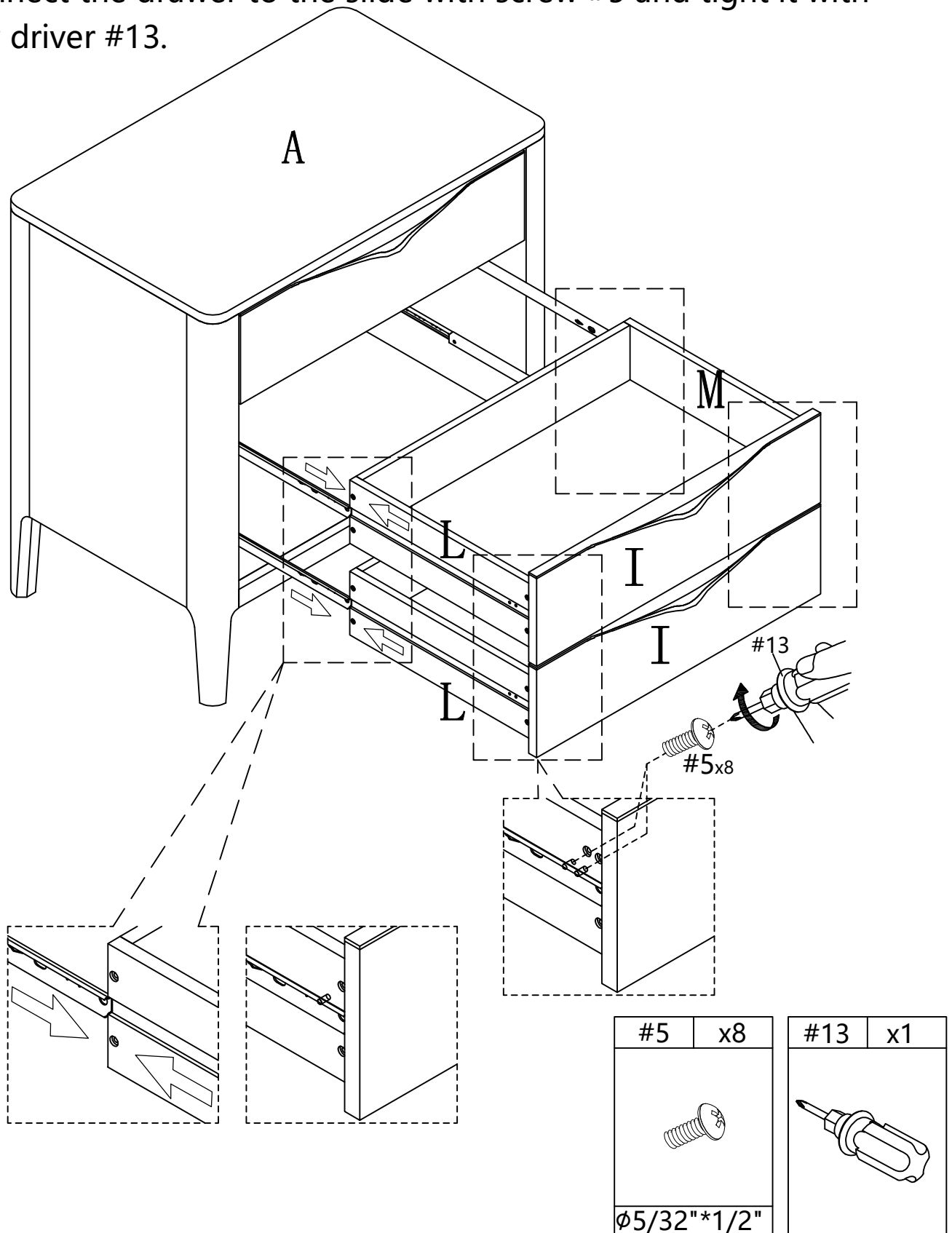


#4	x8	#13	x1
			
ø8#*1"			

ASSEMBLY INSTRUCTIONS

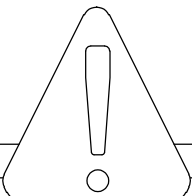
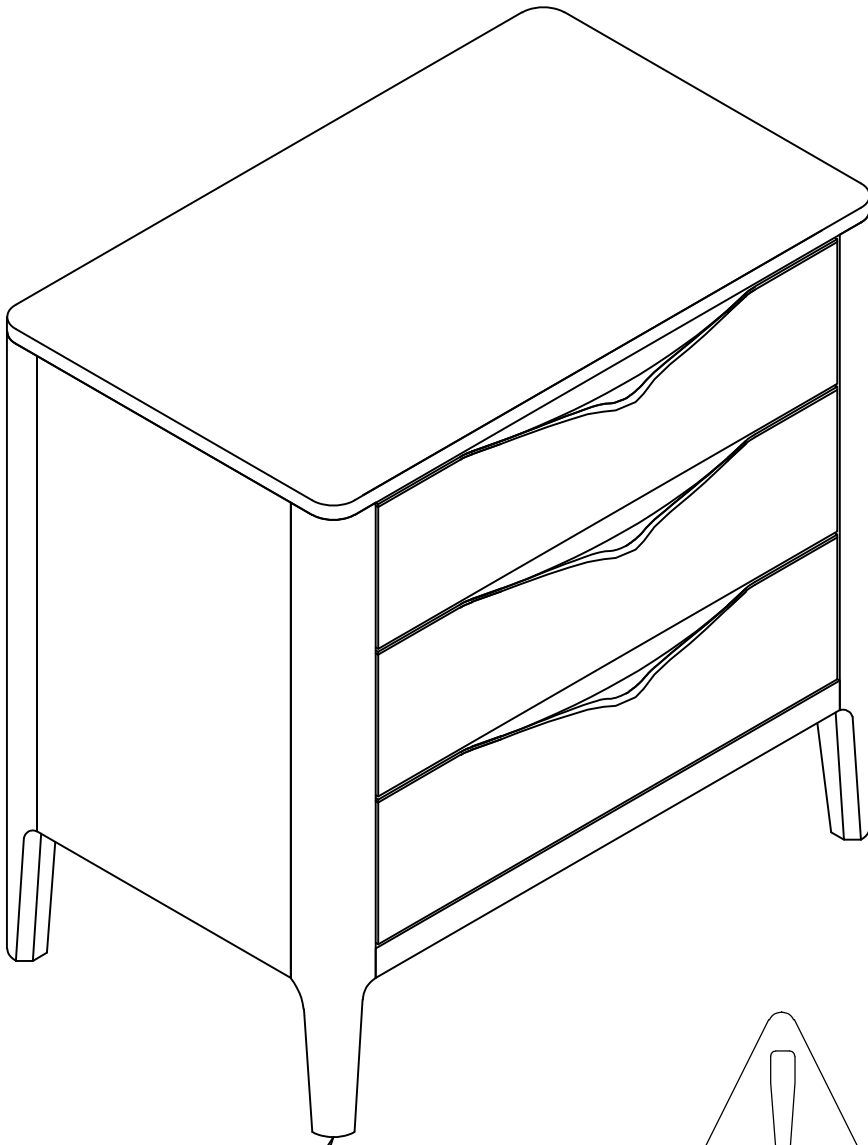
STEP-15

1. pull out the slide and attach the drawers to it, make sure the slide in the groove of part(L/M) and the end reach the drawer front (I).
2. connect the drawer to the slide with screw #5 and tight it with screw driver #13.

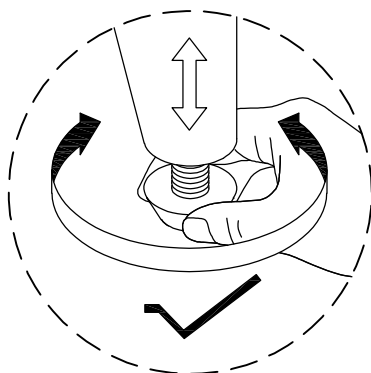
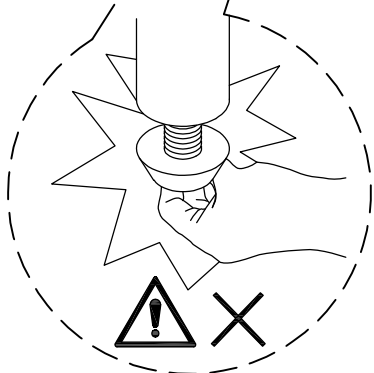


ASSEMBLY INSTRUCTIONS

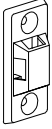

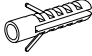
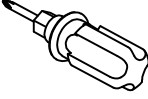
STEP-16



Attention:
Before the next step, adjust the feet of the locker to keep it level.

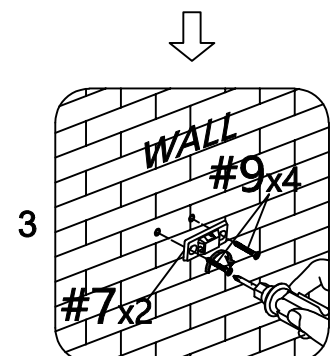
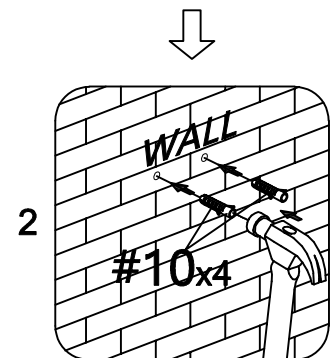
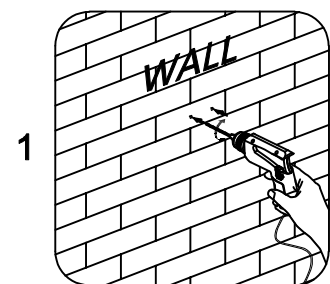
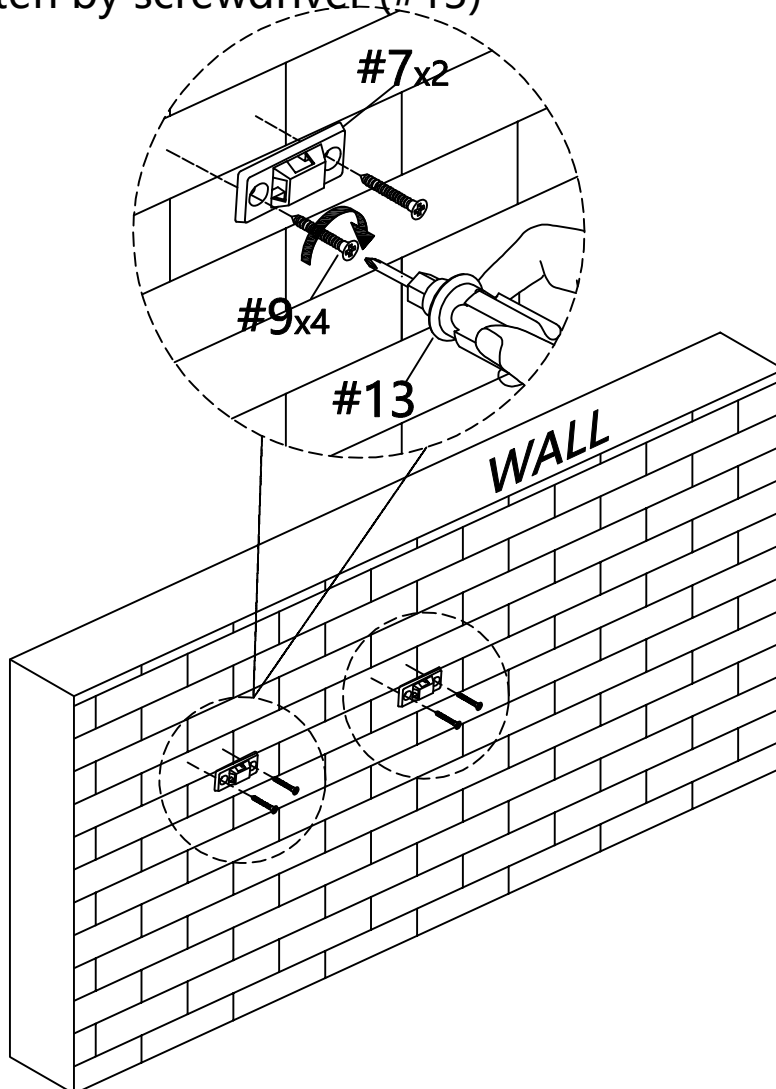


ASSEMBLY INSTRUCTIONS

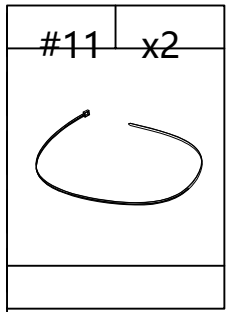
#7	x2	#9	x4	#10	x4	#13	x1
							
		Ø3.5*35mm*7#					

STEP-17

1. Install the anti-collapse device.
2. Mark the position on the wall, that corresponds to the location of part (#7) on the part (C&D); Drill and insert the expandable screw (#10) by hammer.
3. Assemble the part (#7) to the well. Align the hole in the part (#7) with the expandable screw (#10), use screw (#9) to attach it and tighten by screwdriver (#13)



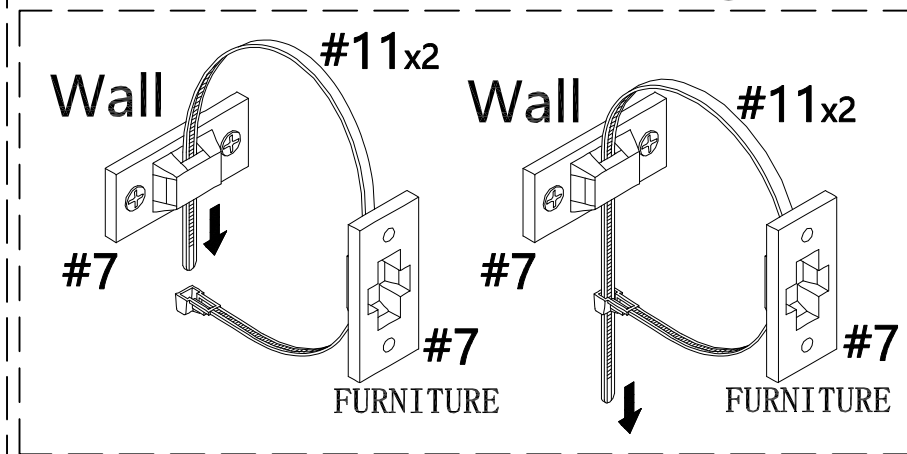
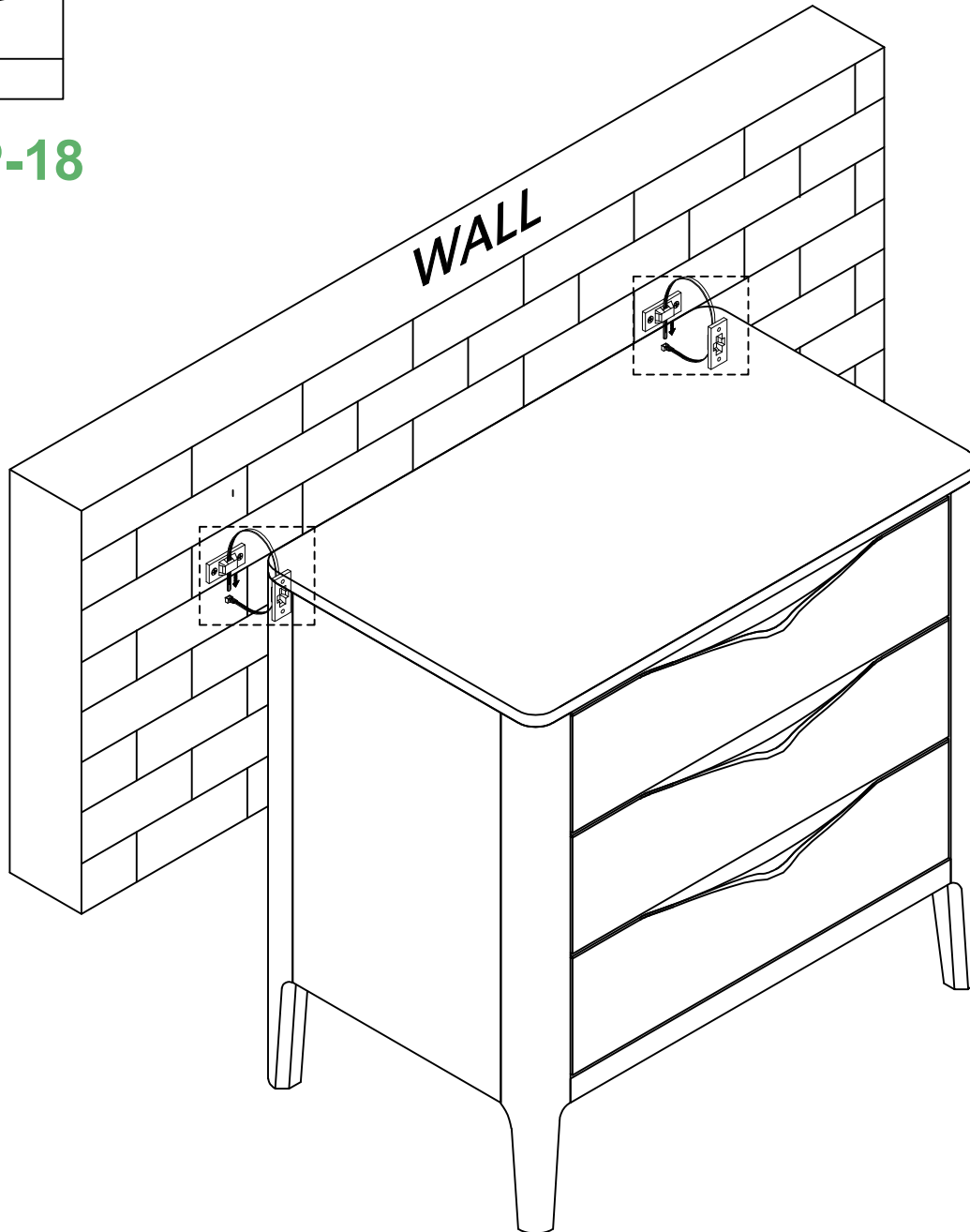
ASSEMBLY INSTRUCTIONS



STEP-17.1

1. Let the plastic belt (#11) pass through the both part (#7) and pull tightly.

STEP-18



WARRANTY

1. We strive to offer high-quality products, and we also try our best to satisfy each and every customer that orders from us with product or service as needed.
2. We provide 30 days warranty starting from the time you receive the item. Each customer must provide a record of their order such as the order number, or item receipt for any items that are out of the warranty period you may also still receive.
3. Replacement parts by purchasing them with our company if they are available.

For return, please check the return policy with the retailer or market place you bought from.

Appreciate your purchasing from us.
Pop up your life by our furniture piece!