

## NOTICE

- \* Please make sure that you have all parts indicated and they are in good condition before you begin assembly of this item. Refer to part list and hardware list below for guidance.
- \* This item should be assembled on a soft surface to prevent scratching the finish during assembly.
- \* This item may require periodic tightening.
- \* If you are having difficulty, our friendly Customer Care team is always here to help.


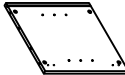
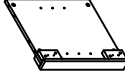
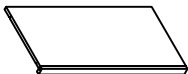
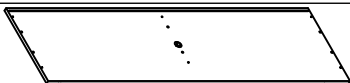




## PREPARATION

- \* Before beginning assembly of product, make sure all parts are present. Compare parts with part contents list and hardware contents list.
- \* If any part is missing or damaged, do not attempt to assemble the product.
- \* Estimated Assembly Time: 60 minutes.
- \* Tools Required for Assembly : L Key (included), Phillips screwdriver (not included)

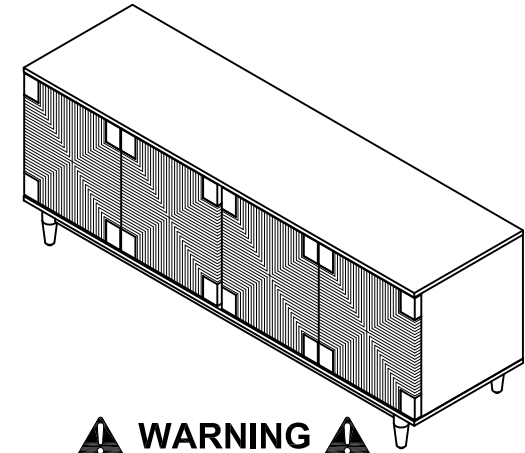
## CARE AND MAINTENANCE

Adhesive felt pads should always be applied to areas of furniture which make direct contact with flooring, said application will prevent damage to the furniture and or surfaces on which the furniture lies. Objects placed on articles of furniture should rest on non abrasive material as to prevent damage to the wood finish. Wipe up spills immediately and avoid common hazards such as hot dishes, harsh solvents and abrasives. Cleaning should be done with a soft lint free cotton cloth dampened with water or furniture polish.


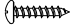
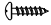

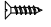










## Part List and Hardware List

PIECE	DESCRIPTION	PICTURE	QUANTITY
A	TOP PANEL		1X
B	SIDE PANEL		2X
C	DIVIDER		1X
D	SHELF		2X
E	BASE ASSEMBLY		1X
F	DOOR		4X
G	BACK PANEL		2X
H	LEG		4X
I	CENTER LEG		1X

Product Dimensions: 65"W x 18 1/8"D x 24 1/16"H

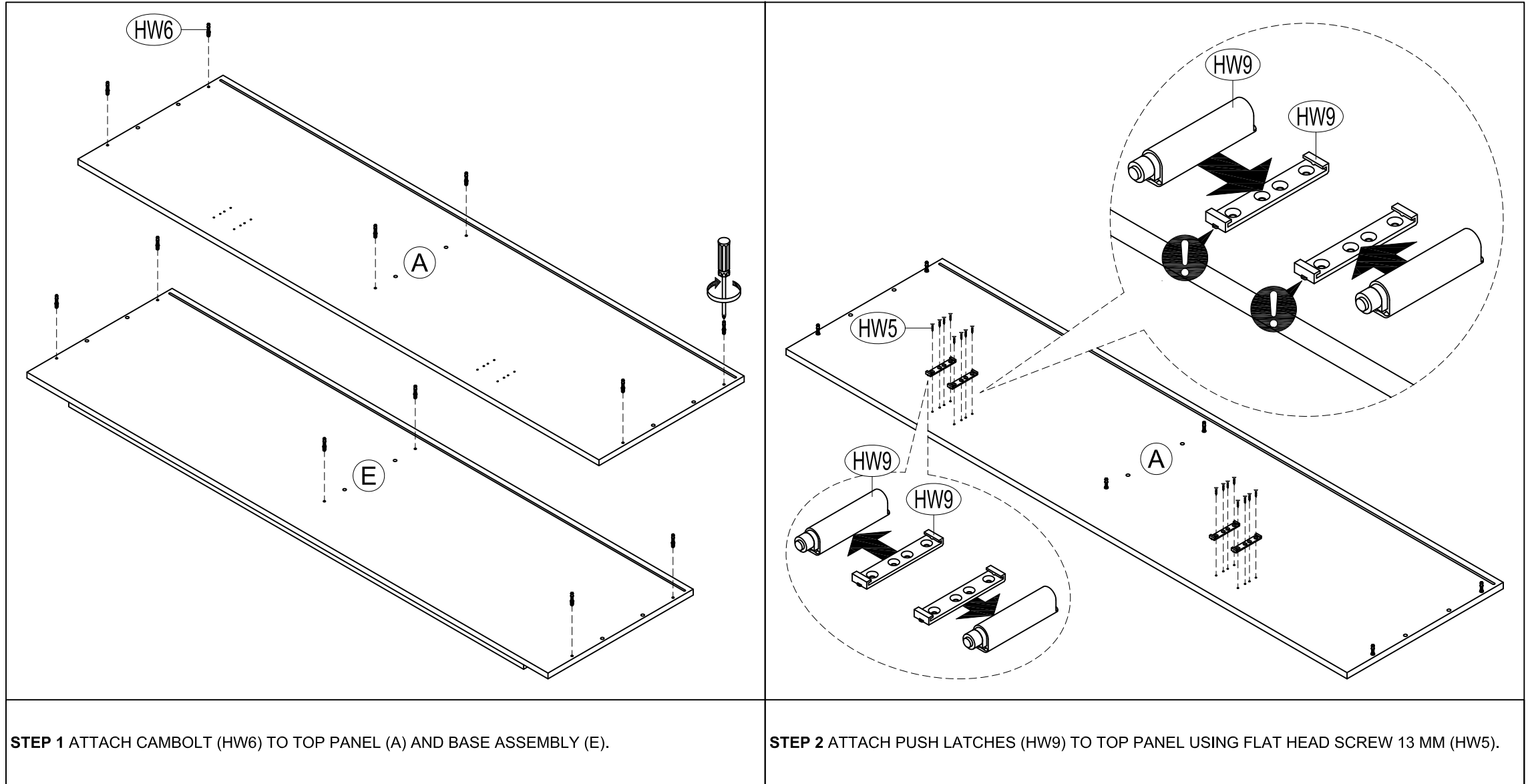


**WEIGHT CAPACITY: 50 LBS (TOP); 15 LBS (SHELF)**  
**WARNING: DO NOT STAND ON THE TABLE**  
**WARNING: DO NOT OVER TORQUE BOLTS/SCREWS**

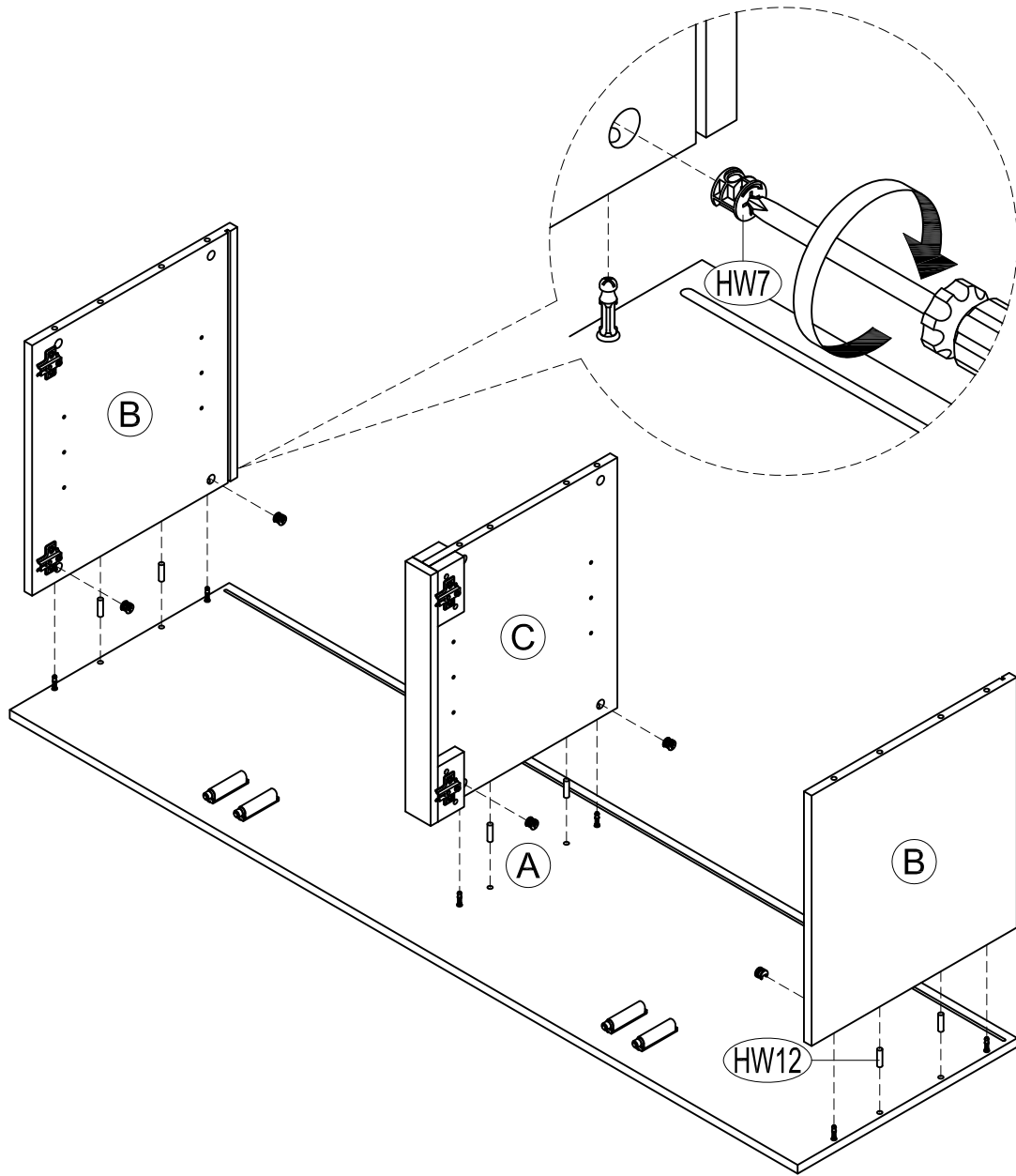
PIECE	DESCRIPTION	PICTURE	QUANTITY
HW1	BOLT 6 x 1 x 30 MM		8X
HW2	ROUND HEAD SCREW 3 x 1 x 19 MM		2X
HW3	ROUND HEAD SCREW 3 x 1 x 13 MM		32X
HW4	FLAT HEAD SCREW 3 x 1 x 16 MM		12X
HW5	FLAT HEAD SCREW 3 x 1 x 13 MM		16X
HW6	CAMBOLT		12X
HW7	CAMLOCK		12X
HW8	HINGE		8X
HW9	PUSH LATCH		4X
HW10	WEDGE		12X
HW11	SHELF SUPPORT PIN		8X
HW12	DOWEL		12X
HW13	FLAT WASHER Ø13 x 1 MM		2X
HW14	SPRING WASHER Ø13 x 1 MM		8X
HW15	L KEY		1X

## PREPARATION

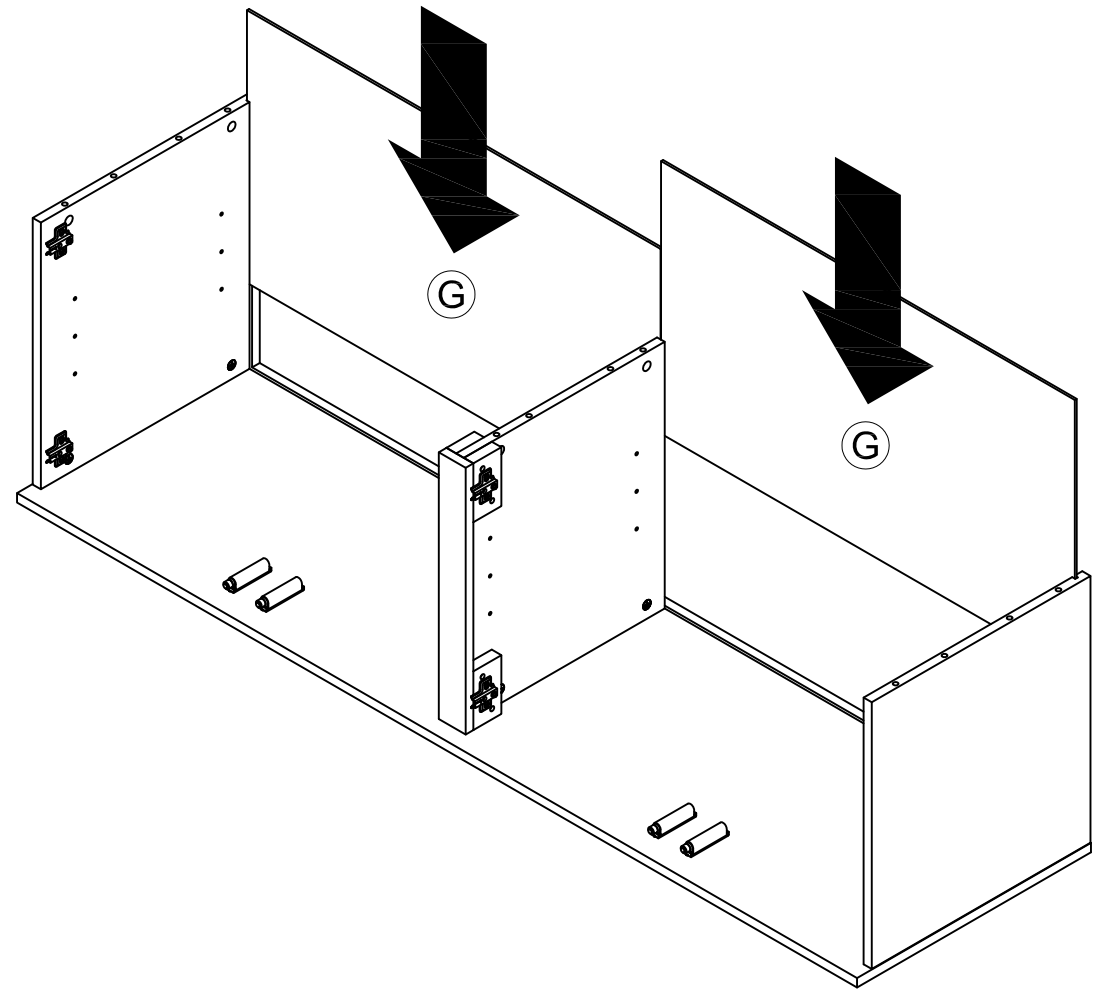
- \* Before beginning assembly of product, make sure all parts are present. Compare parts with part contents list and hardware contents list.
- \* If any part is missing or damaged, do not attempt to assemble the product.
- \* Estimated Assembly Time: 60 minutes.
- \* Tools Required for Assembly : L Key (included), Phillips screwdriver (not included)
- \* If you are having difficulty, our friendly Customer Care team is always here to help.



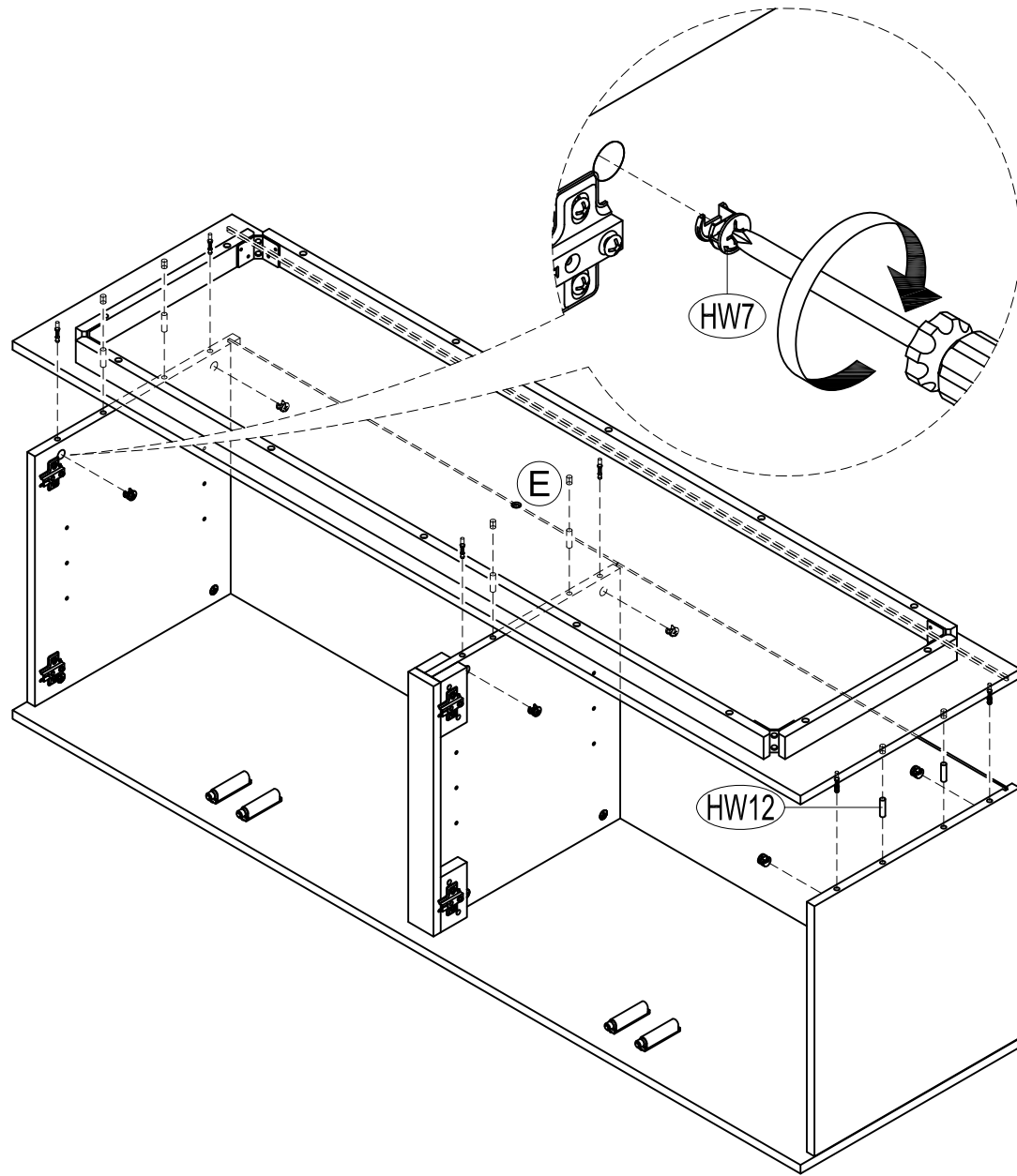




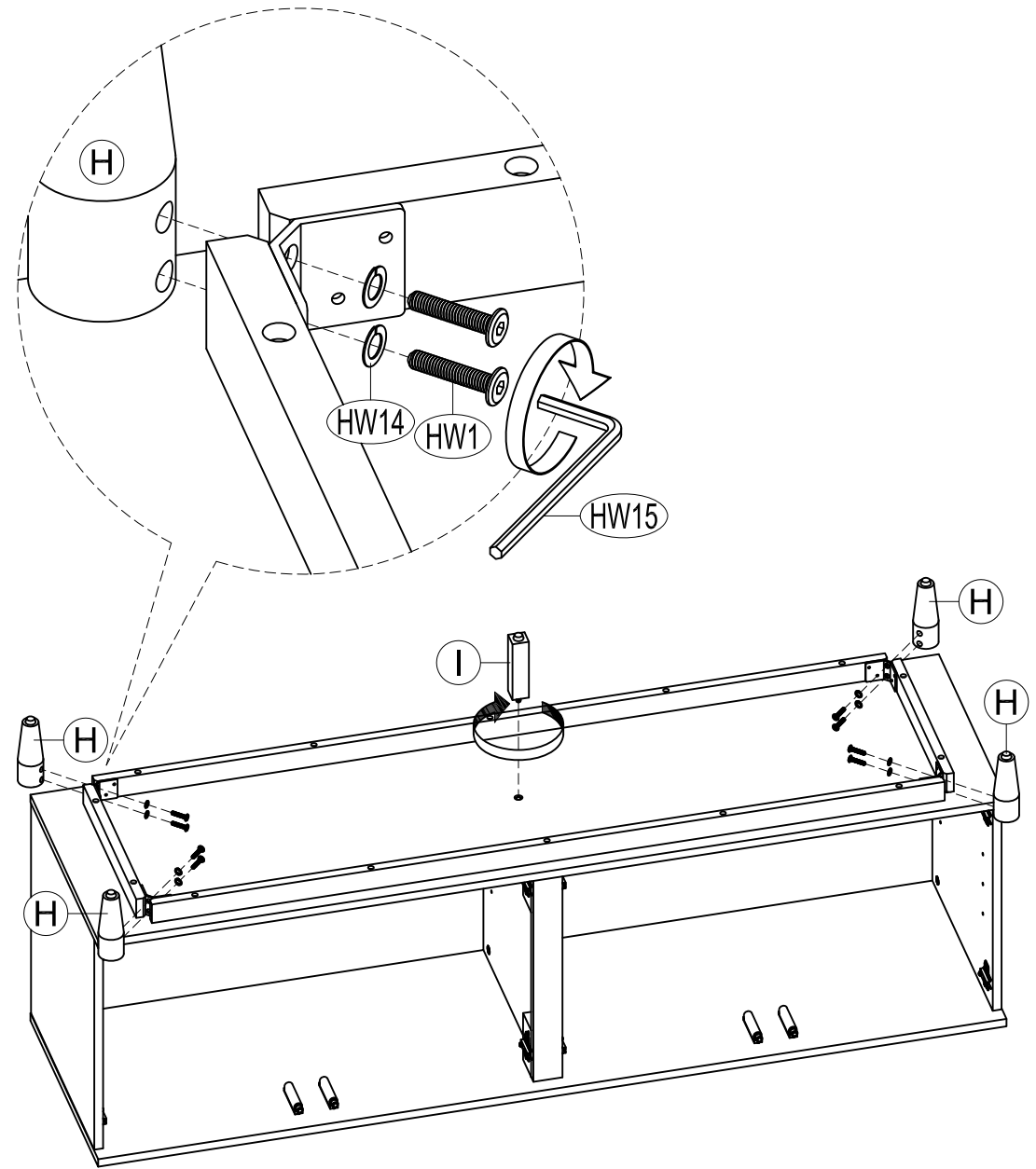
**STEP 4** ATTACH SIDE PANELS (B) AND DIVIDER (C) TO TOP PANEL (A) USING CAMLOCK (HW7) AND DOWEL (HW12).



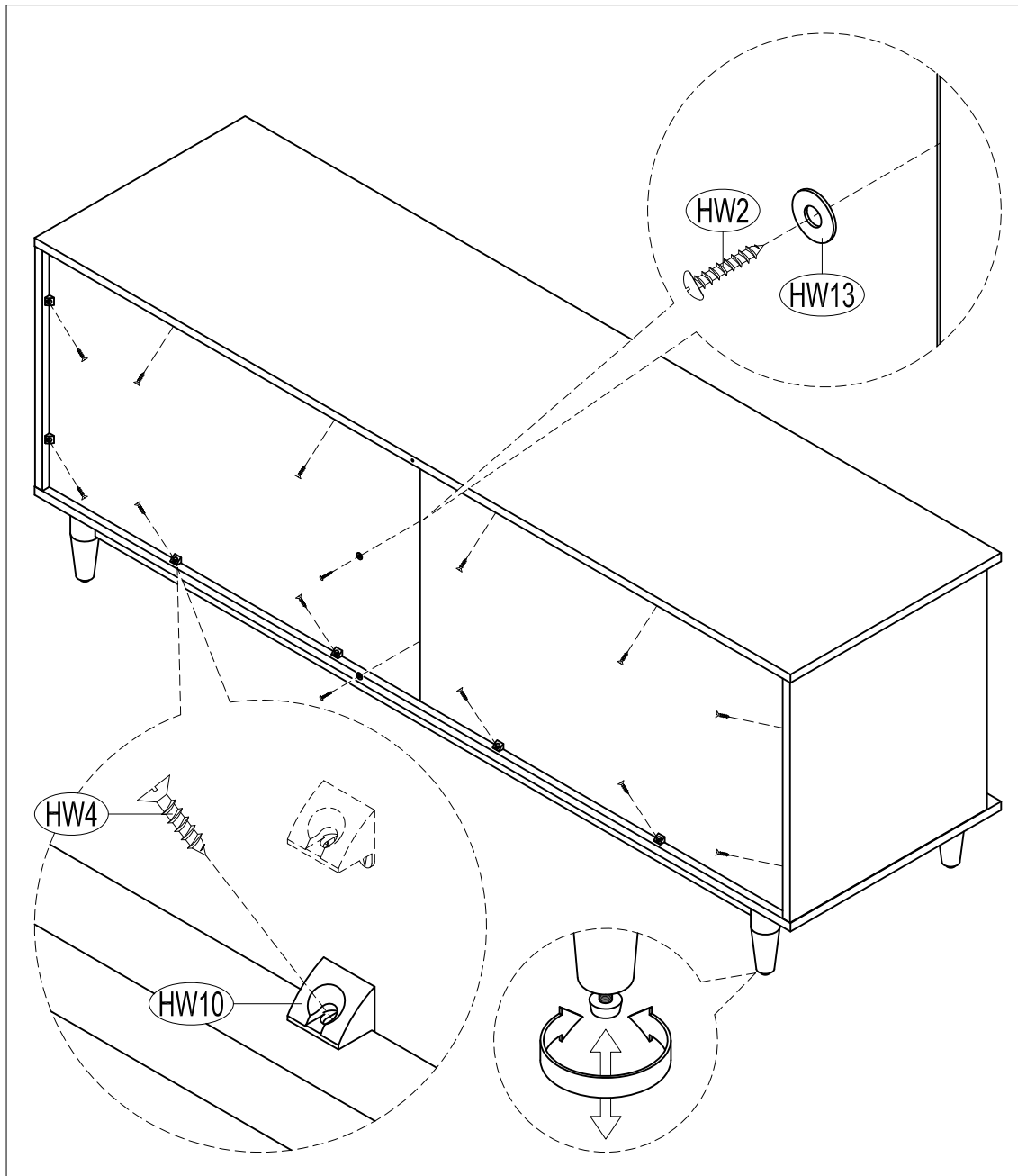
**STEP 5** SLIDE BACK PANELS INTO THE GROOVE.



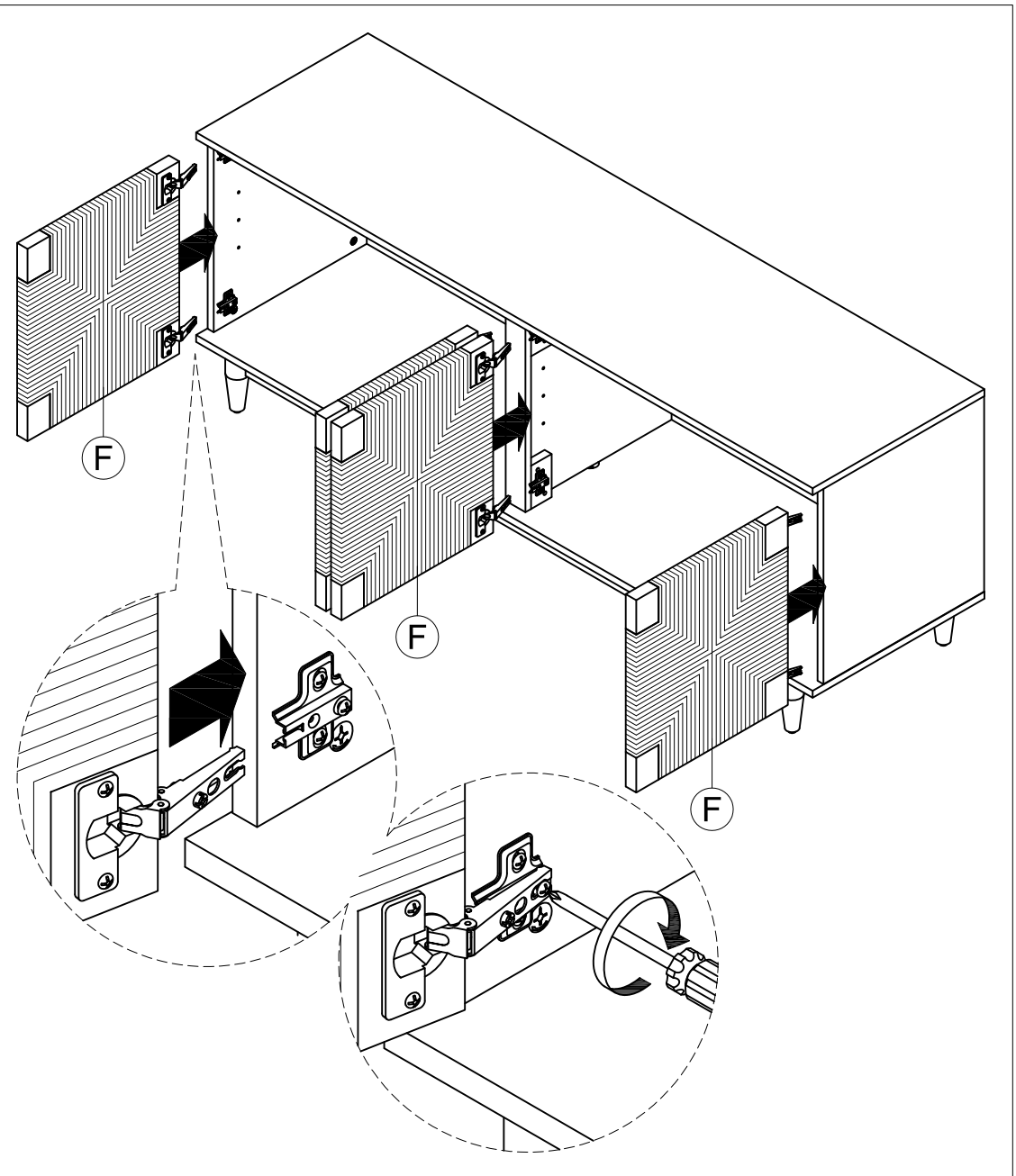
**STEP 6** ATTACH BASE ASSEMBLY (E) TO UNIT USING CAMLOCK (HW7) AND DOWEL (HW12).



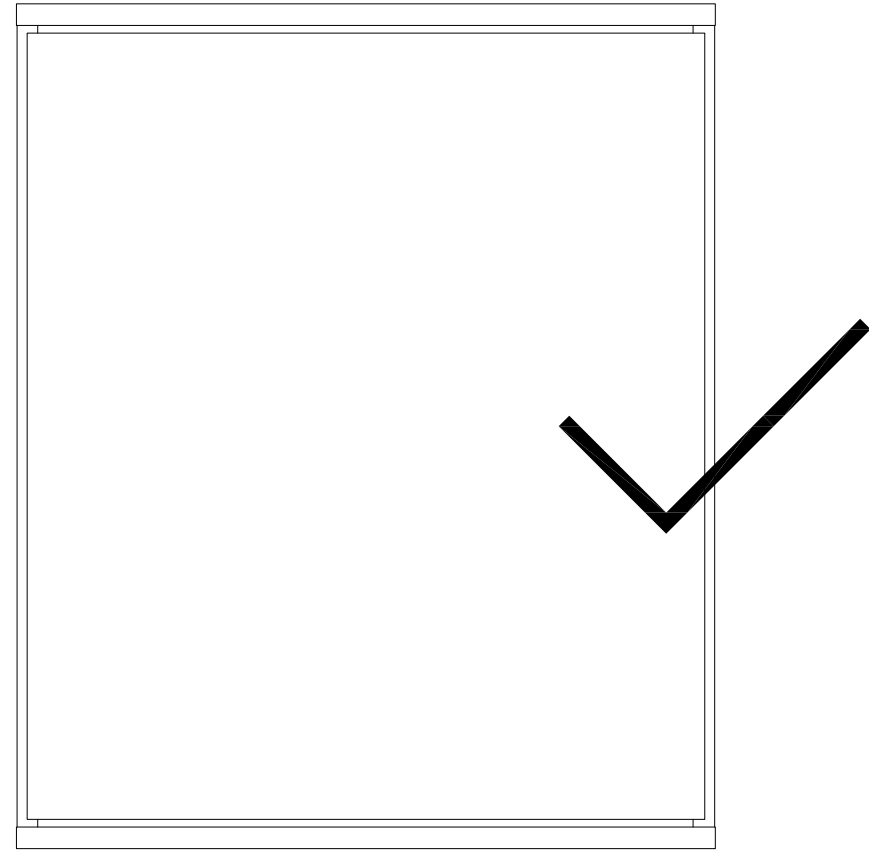
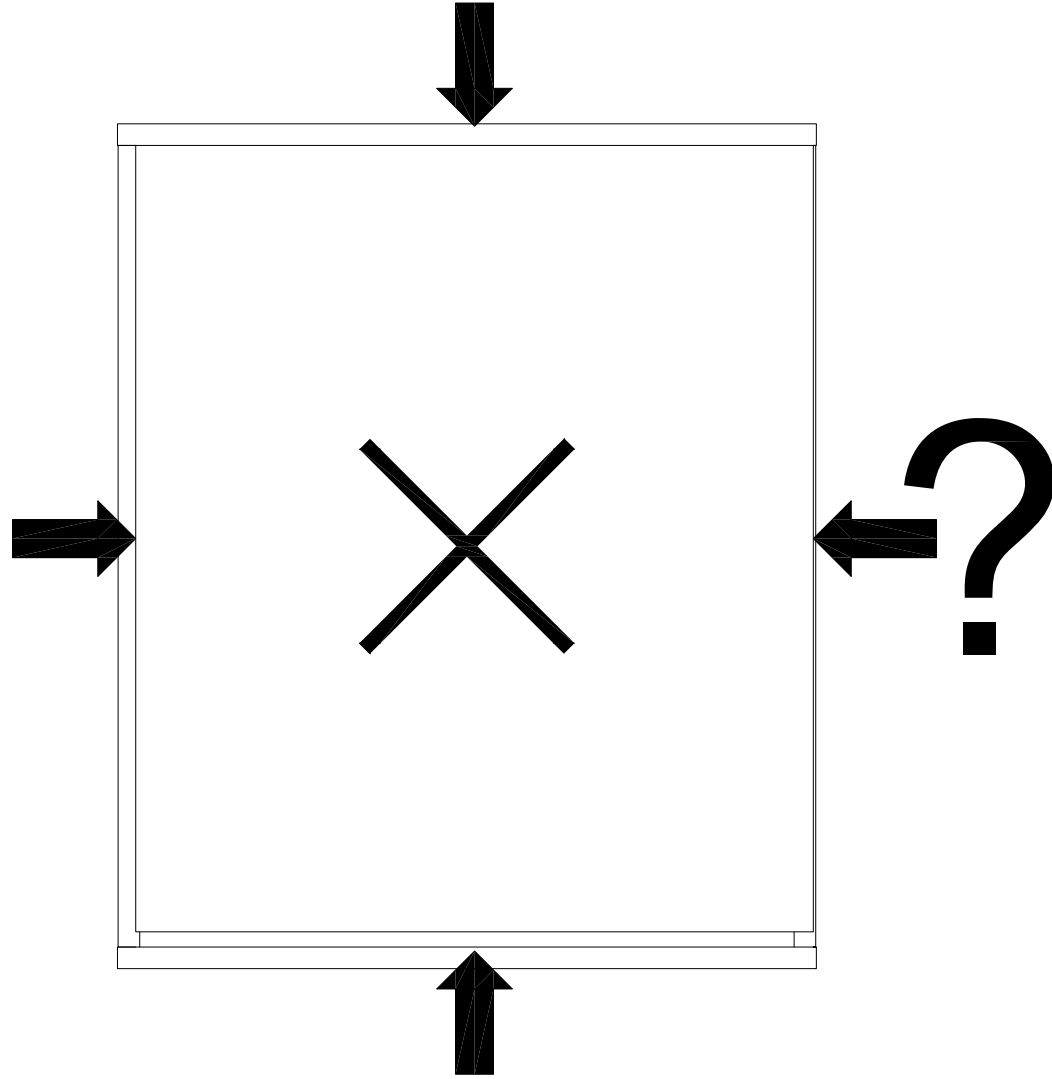
**STEP 7** ATTACH LEGS (H) TO UNIT USING BOLTS (HW1) AND SPRING WASHERS (HW14). TIGHTEN BOLTS (HW1) USING L KEY (HW15). ATTACH CENTER LEG (I) TO UNIT.



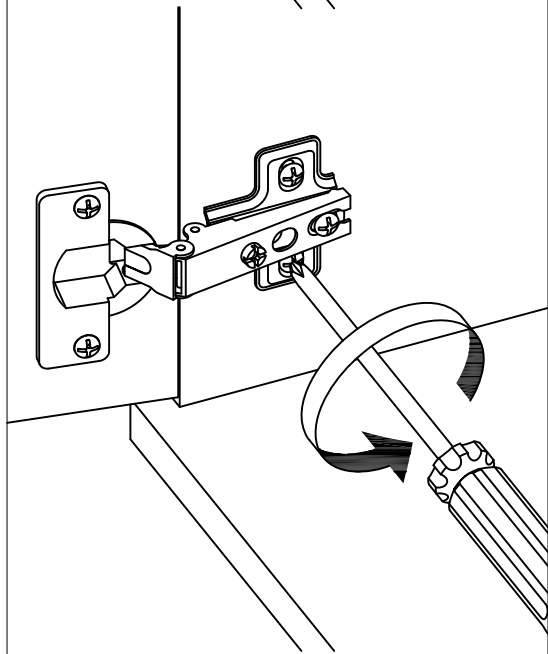
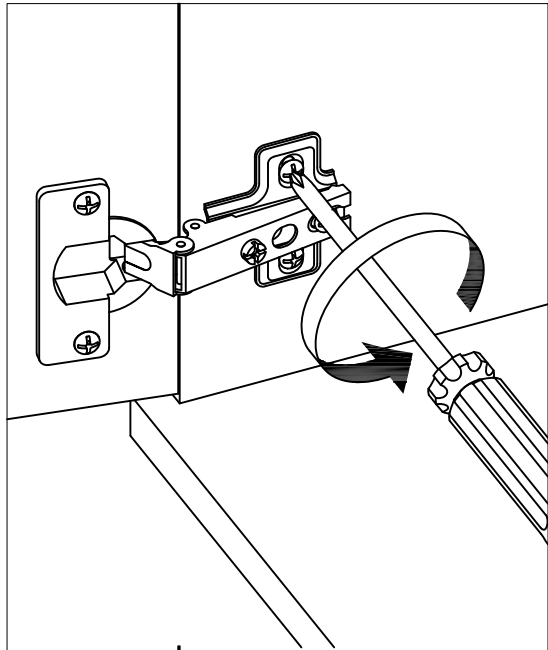
**STEP 8** TURN THE UNIT UPRIGHT AND ATTACH WEDGE (HW10) TO LOCK BACK PANEL USING FLAT HEAD SCREW 16 MM (HW4). ATTACH ROUND HEAD SCREW 19 MM (HW2) AND FLAT WASHER (HW13). ADJUST THE LEVELERS ON THE BOTTOM OF THE LEGS AS NEEDED.



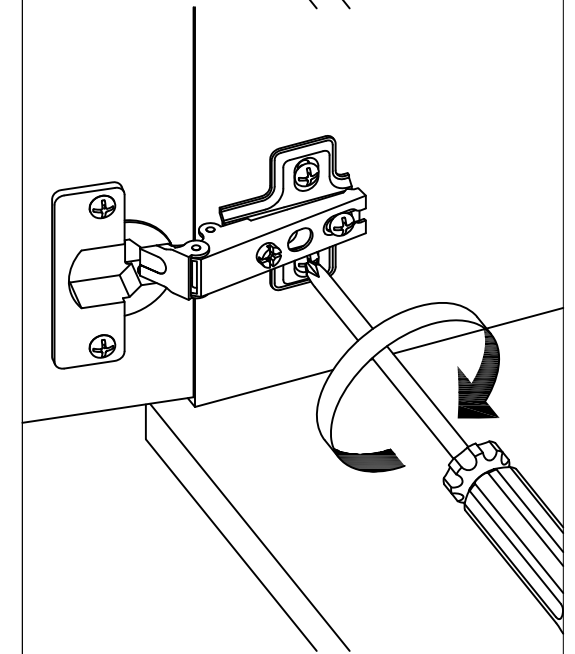
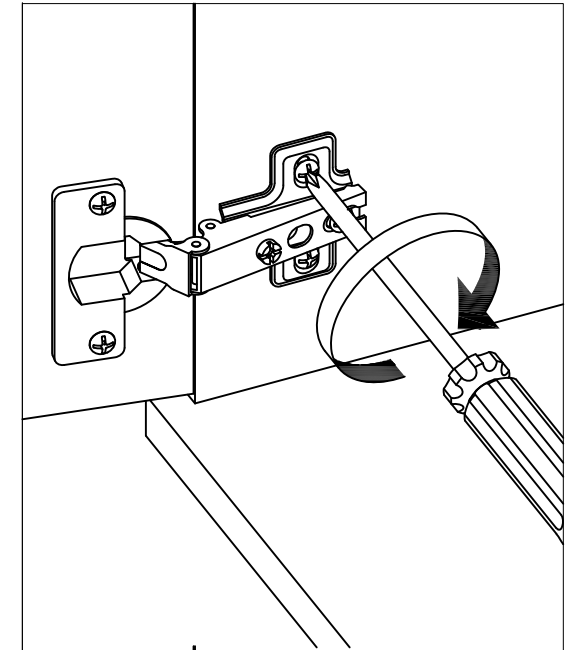
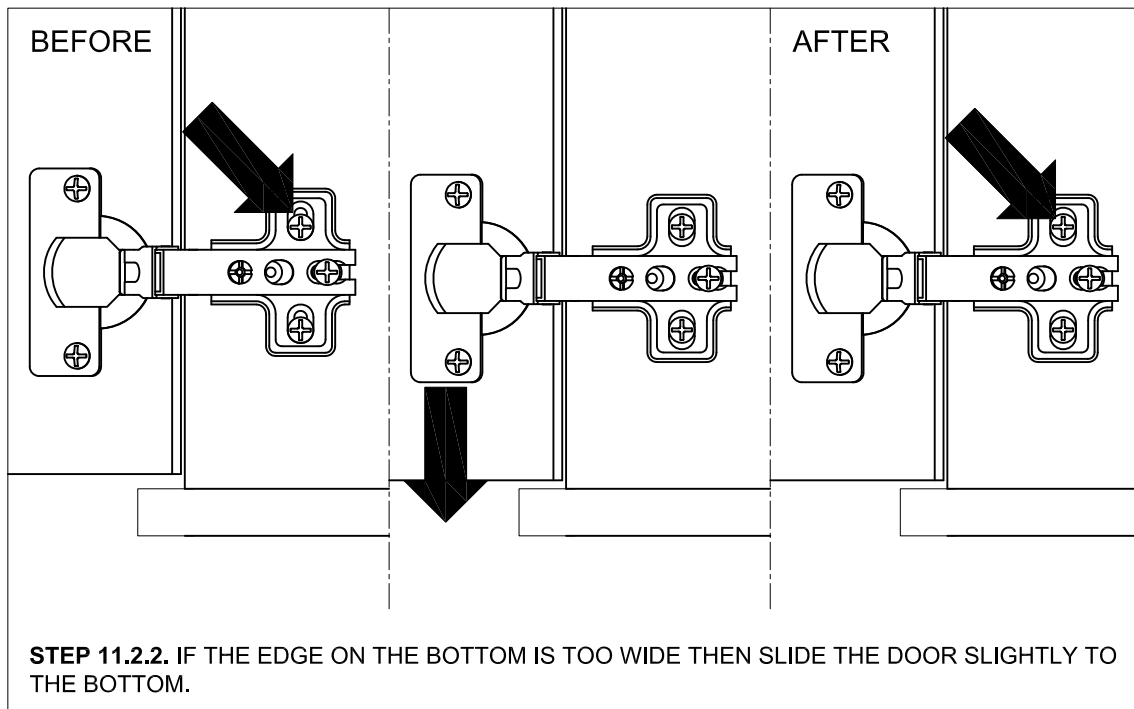
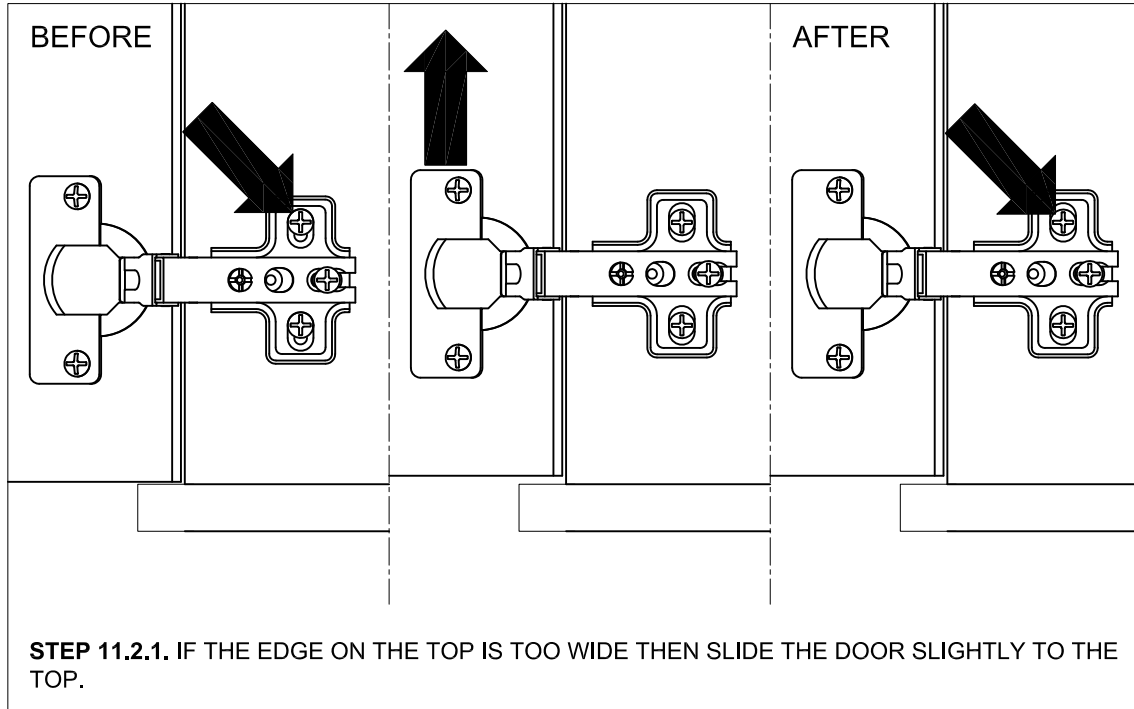
**STEP 9** ATTACH DOOR (F) TO UNIT BY ATTACHING THE HINGES.



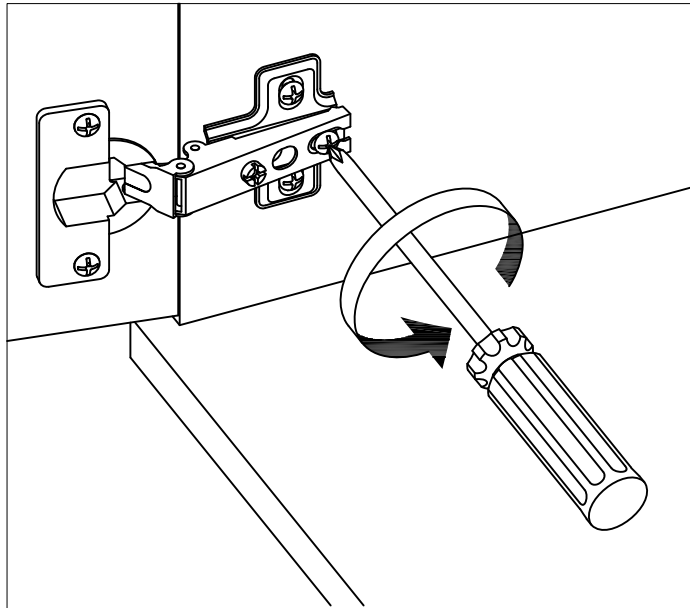
**STEP 10** THE GAPS AROUND THE DOOR SHOULD BE BALANCED. IF GAPS ARE NOT BALANCED, PLEASE FOLLOW STEPS 11 THROUGH 13



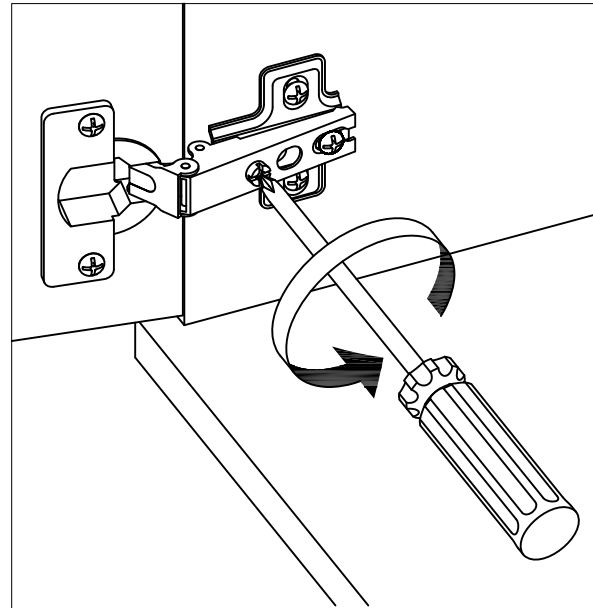
**STEP 11.1.** IF THE EDGE ON THE TOP OR BOTTOM ARE NOT BALANCED, LOOSEN BOTH HINGE BASE SCREWS.



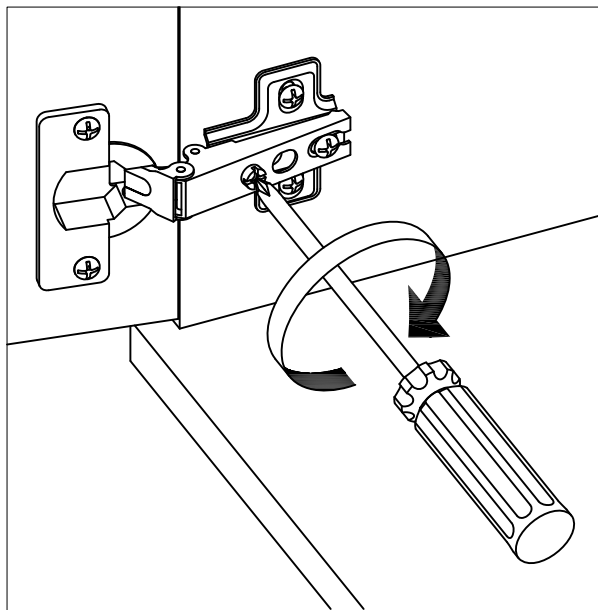
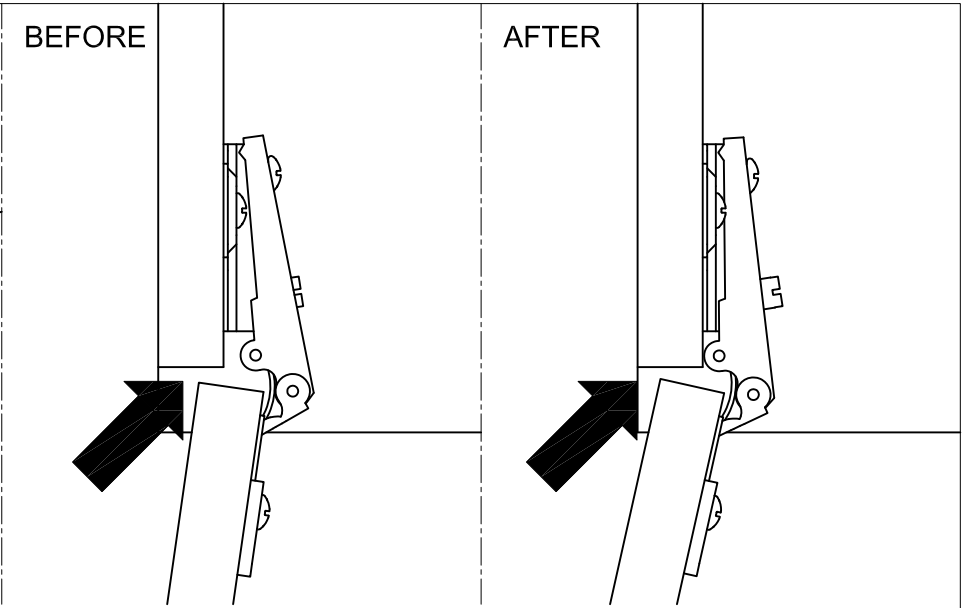
**STEP 11.3.** TIGHTEN BOTH HINGE BASE SCREWS.



**STEP 12.1.** IF THE EDGE ON THE LEFT OR RIGHT ARE NOT BALANCED, LOOSEN THE BACK CENTER SCREW.

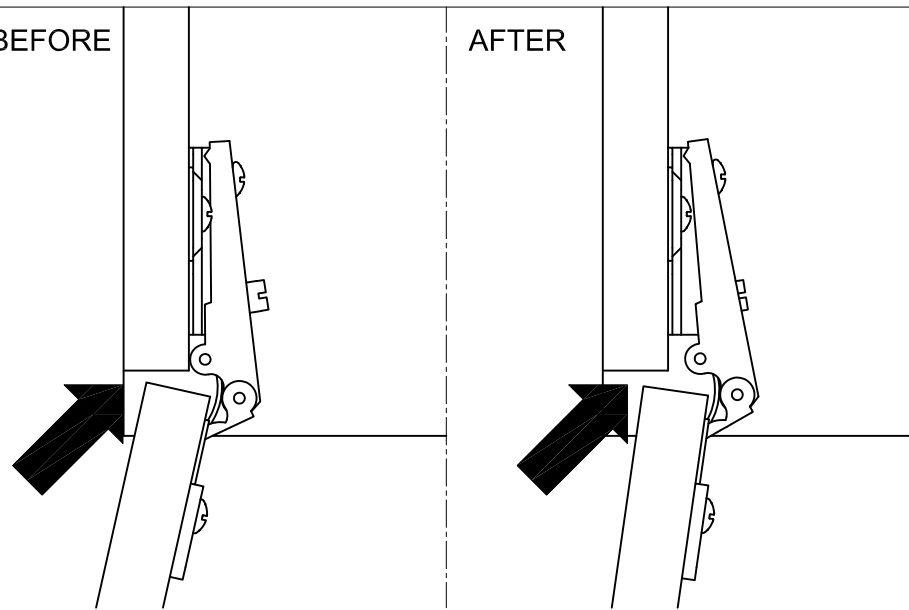


**STEP 12.2.1.** IF THE EDGE ON THE LEFT SIDE IS TOO WIDE, YOU WILL NEED TO SLIDE THE DOOR SLIGHTLY TO THE LEFT BY TURNING THE FRONT CENTER SCREW COUNTERCLOCKWISE.

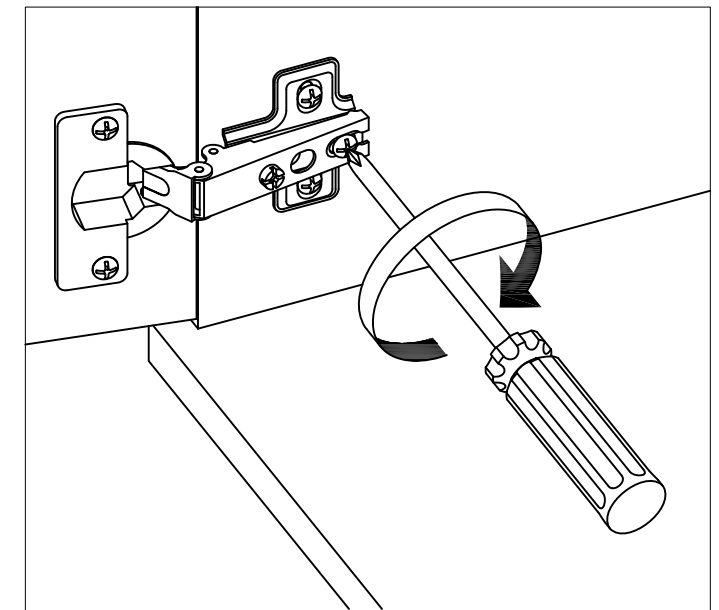


BEFORE

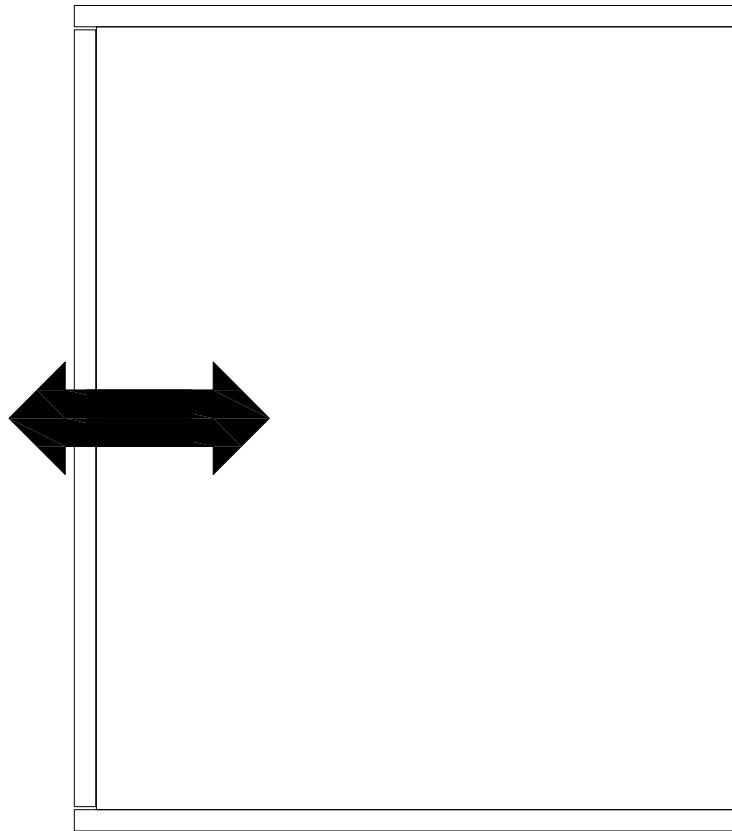
AFTER



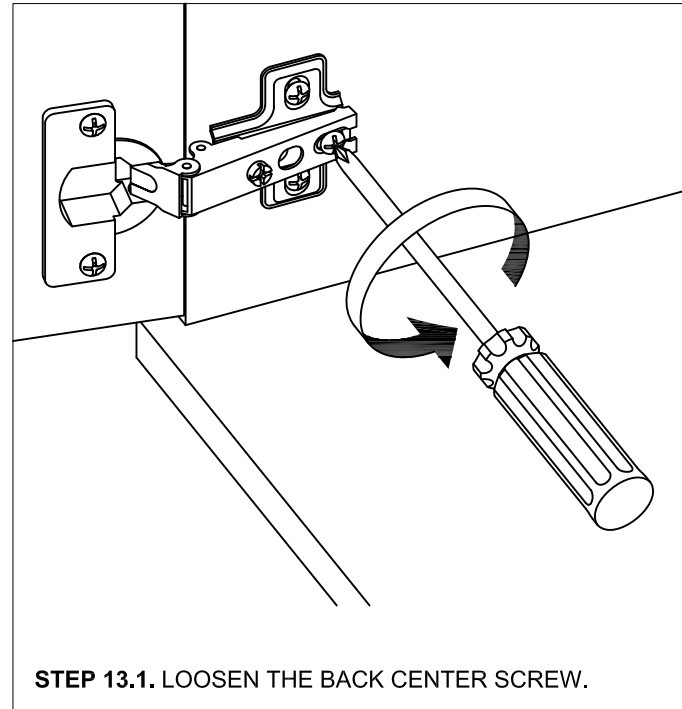
**STEP 12.2.2.** IF THE EDGE ON THE LEFT SIDE IS TOO NARROW, YOU WILL NEED TO SLIDE THE DOORS SLIGHTLY TO THE RIGHT BY TURNING THE FRONT CENTER SCREW COUNTER CLOCKWISE.



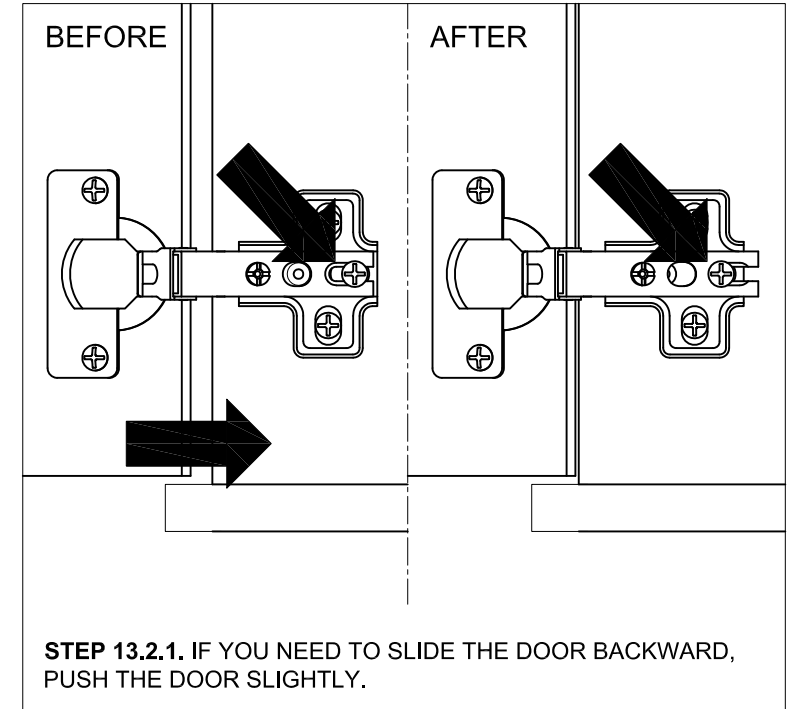
**STEP 12.3.** TIGHTEN THE BACK CENTER SCREW.



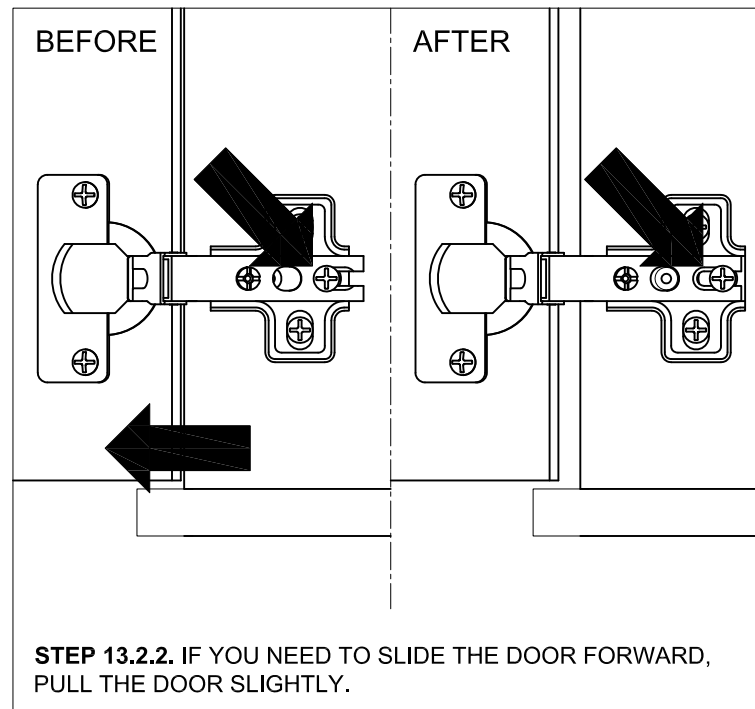
**STEP 13.** IF YOU NEED TO SLIDE THE DOOR FORWARD OR BACKWARD, PLEASE FOLLOW THIS STEP.



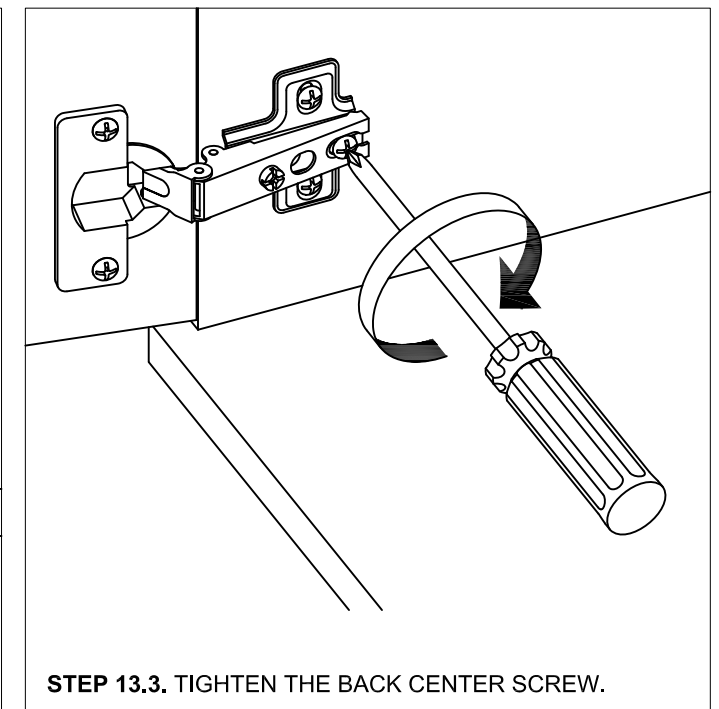
**STEP 13.1.** LOOSEN THE BACK CENTER SCREW.



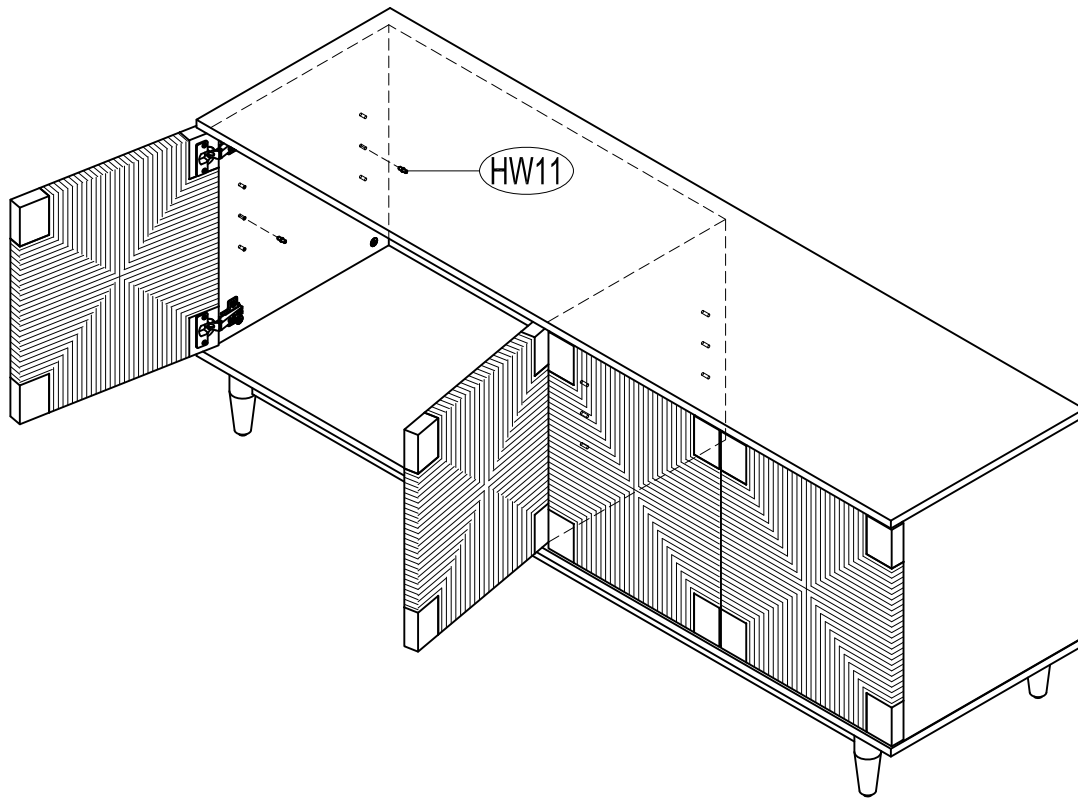
**STEP 13.2.1.** IF YOU NEED TO SLIDE THE DOOR BACKWARD, PUSH THE DOOR SLIGHTLY.



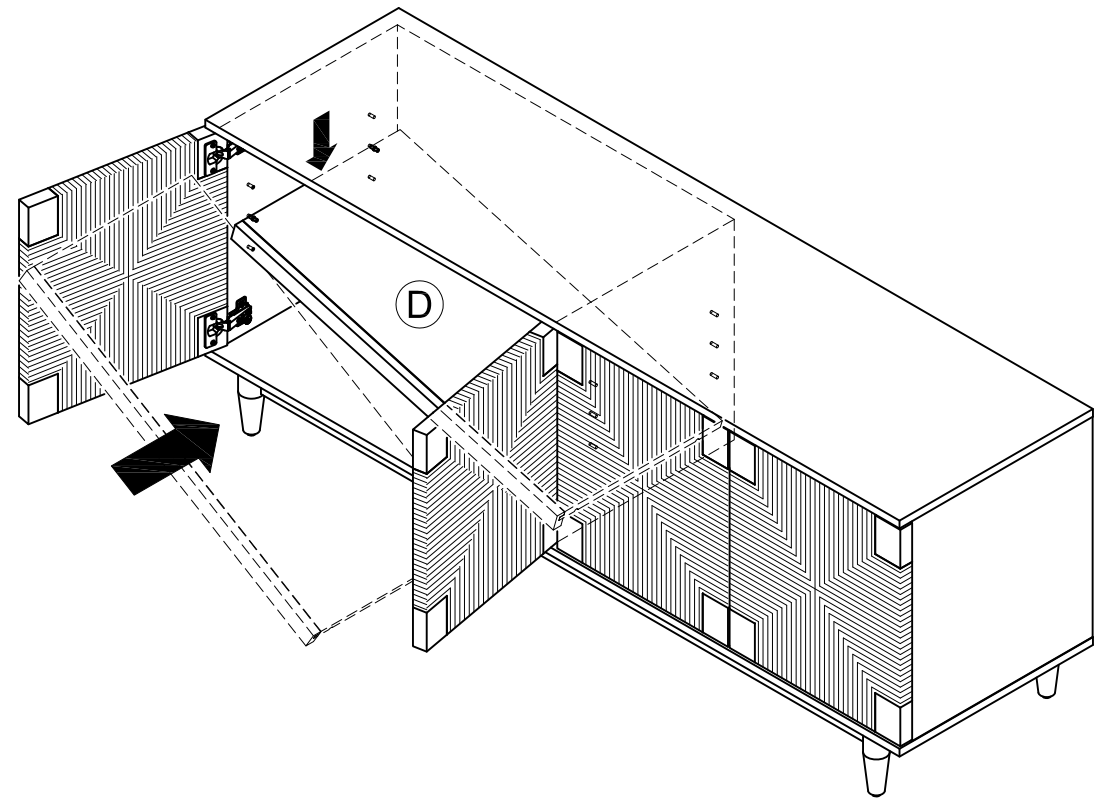
**STEP 13.2.2.** IF YOU NEED TO SLIDE THE DOOR FORWARD, PULL THE DOOR SLIGHTLY.



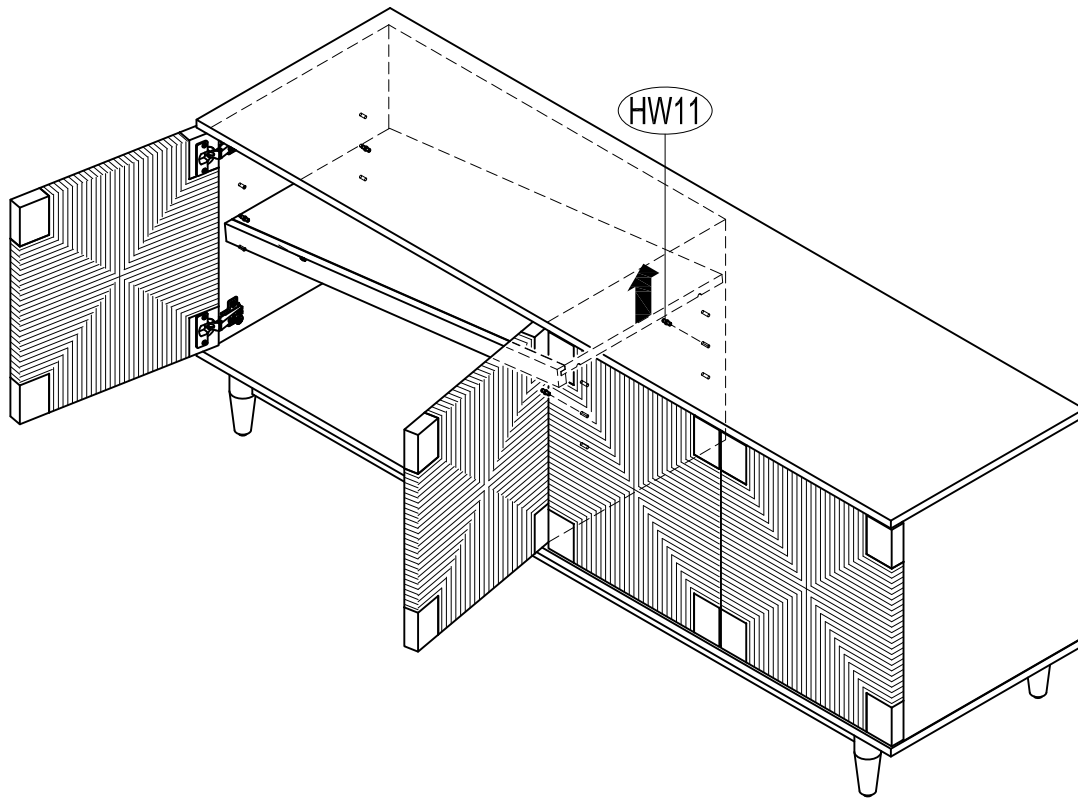
**STEP 13.3.** TIGHTEN THE BACK CENTER SCREW.



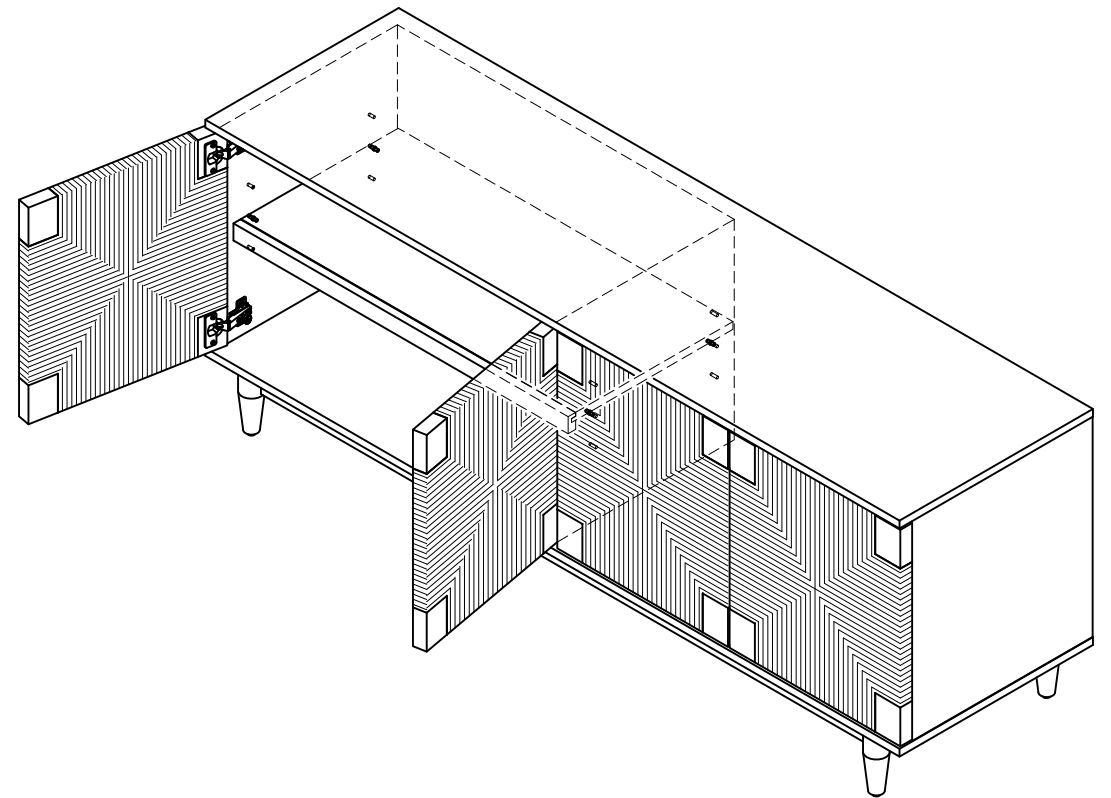
**STEP 14** INSERT SHELF SUPPORT PINS (HW11) INTO LEFT SIDE OF UNIT AT DESIRED LEVEL.



**STEP 15** PLACE THE LEFT SIDE OF THE SHELF (D) INTO POSITION.



**STEP 16** HOLDING IT ON THE RIGHT SIDE OF THE SHELF (D) HIGHER THAN THE DESIRED LEVEL. INSERT THE REST SHELF SUPPORT PINS (HW11) INTO RIGHT SIDE OF UNIT AT DESIRED LEVEL.



**STEP 17** PLACE THE RIGHT SIDE OF THE SHELF (D) INTO POSITION.