



Manuals & Installation Guides

Shuttered Pergola Wall

10' Side



--The image is a conceptual rendering, not real size--

Email: support@flexpatio.com

Phone: +1 213-456-9168

Website: www.flexpatio.com

Table of Contents

Table of Contents.....	2
Safety Information.....	3
Pre-installation.....	4
Tools Required.....	4
Recommended Tools.....	4
Included Parts	5
Installation Instructions.....	6-12
Warm Tips	13
Help Center.....	14

Safety Information

Installation qualification requirements

- Must be installed in collaboration with 3-4 or more healthy adults
- Expertise in frame construction and strict adherence to specifications required (local contractor recommended)
- Prohibition of one-person installation work (to prevent the risk of falling)

Pre-installation inspection

- Verify that all parts are intact (Contact support@flexpatio.com for missing or damaged parts)
- Verify tool availability (specialized tools such as power drills)
- Verify local building code requirements (including structural/drainage/electrical standards)

Personal protection standard

- Eye protection: anti-impact goggles (anti-aluminum chip splash)
- Hand protection: industrial-grade cut-resistant gloves (thickness $\geq 2\text{mm}$)
- Respiratory protection: N95 mask

Site safety management

- Establishment of a 2-meter safety separation zone (no children/pets allowed)
- Parts management system implemented (immediate cleaning of floor screws)
- Column bases fully tightened (eliminate tripping risks)

Power tool operation

- Ensure safe and regulated use of power tools
- Monitor tool temperature to avoid overheating (continuous use ≤ 15 minutes)
- Wear insulated gloves

Pergola structural assembly requirements

- Prohibit any structural modifications (maintain original design)
- Double verification of connection tightness (torque values according to manual)
- Link the wires according to the specification of the manual

Extreme weather conditions

- Ice and snow: shutter operation prohibited (locked when temperature $\leq 0^{\circ}\text{C}$)
- Strong wind environment: Do not use if the maximum wind limit is exceeded
- Storm conditions: exceeding the maximum drainage slope is a cautionary use

Special risk avoidance

Louvers operation ban:

- Prohibition of hand intervention in the mechanical gap (keep a safety distance of 15 cm)
- Prohibition of roof loads exceeding the maximum load

Pre-installation

PLANNING INSTALLATION

To prevent damage, place all parts on a soft surface during assembly.

Tools required for assembly (not included): Allen wrench (included), hammer, screwdriver, stepladder, level and other safety items such as gloves, safety goggles and hardhat.

NOTE | Tools and protective articles below are not provided.

TOOLS REQUIRED



Safety goggles



Gloves



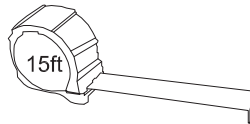
Hardhat



Level



8-Foot Ladder
(Must have 1 ladders.)

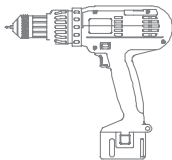


15-Foot
Tape measure

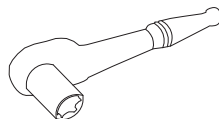


2 People

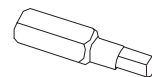
RECOMMENDED TOOLS



Cordless drill or driver
with 4mm Allen head bit



Socket wrench with
10mm and 14mm socket

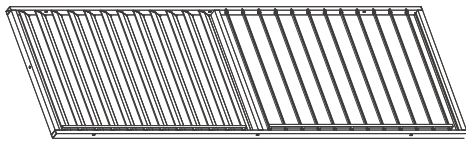

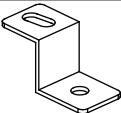
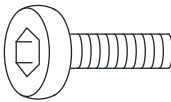

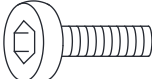
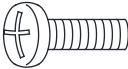
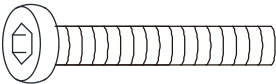

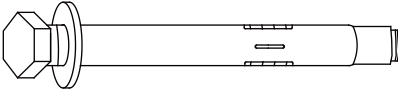



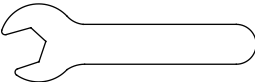


3mm / 4mm /5mm/6mm
Allen or Hex bit



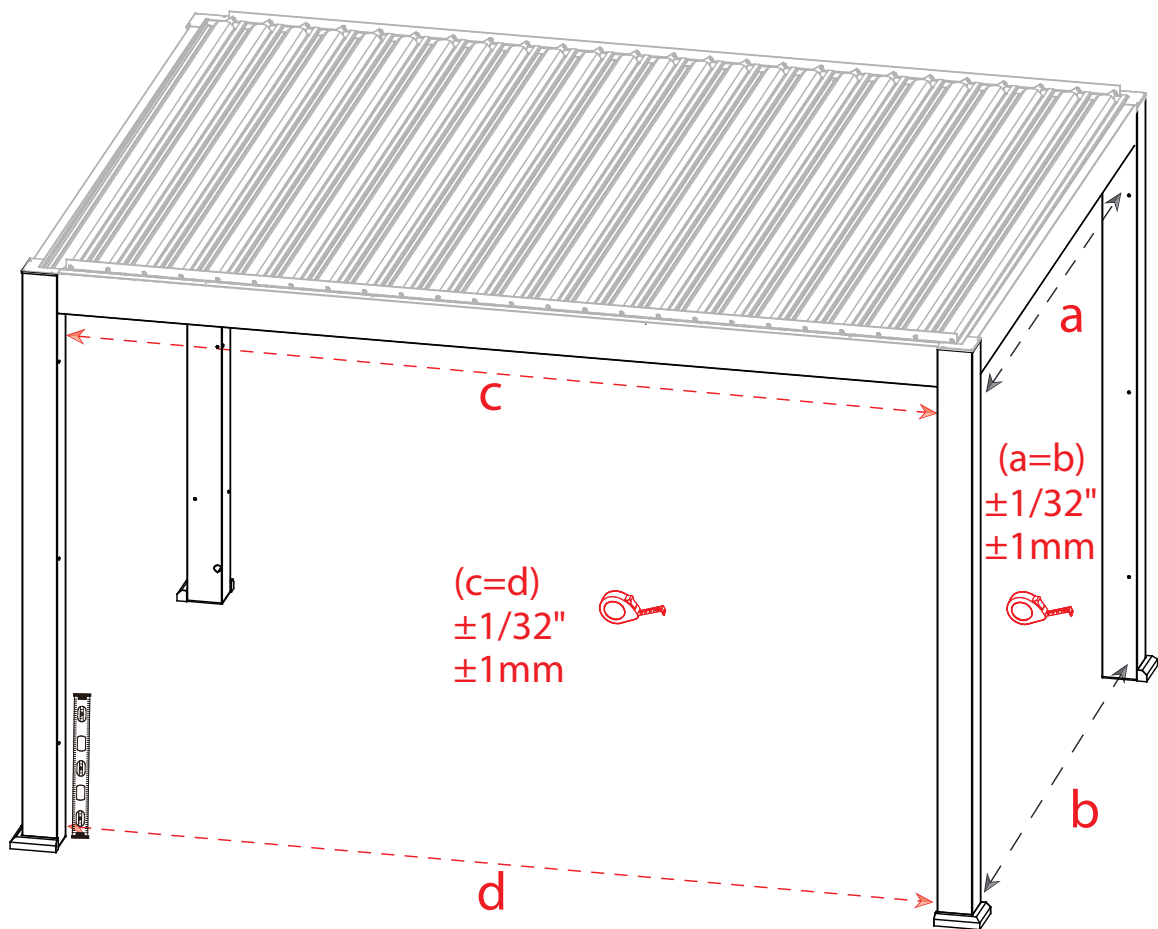
Driver bit extension
(4-inch recommended)

Included Parts

PART	QTY	DIAGRAM
Shade U	3	
Handle U1	6	
Fixed Parts U2	3	
Bolt AA	3	 M6*15mm
Bolt UU	6	 M5*48mm
Bolt VV	6	 M5*15mm
Bolt WW	6	 M4*8mm
Bolt YY	12	 M6*40mm
Washer HH	3	 M6
Expansion Anchor TT	3	 M6*60mm
Allen Wrench MM	1	 4#
Allen Wrench LL	2	 3#
Allen Wrench NN	1	 4#
Wrench OO	1	

Installation Instructions

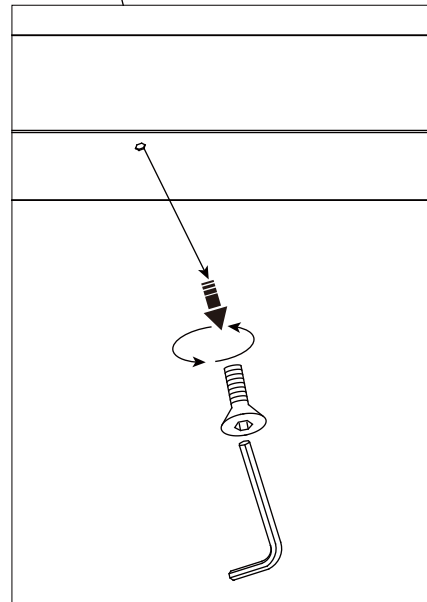
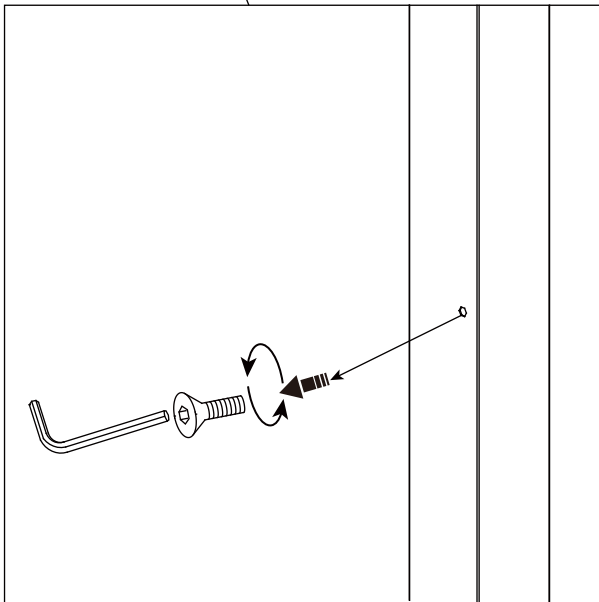
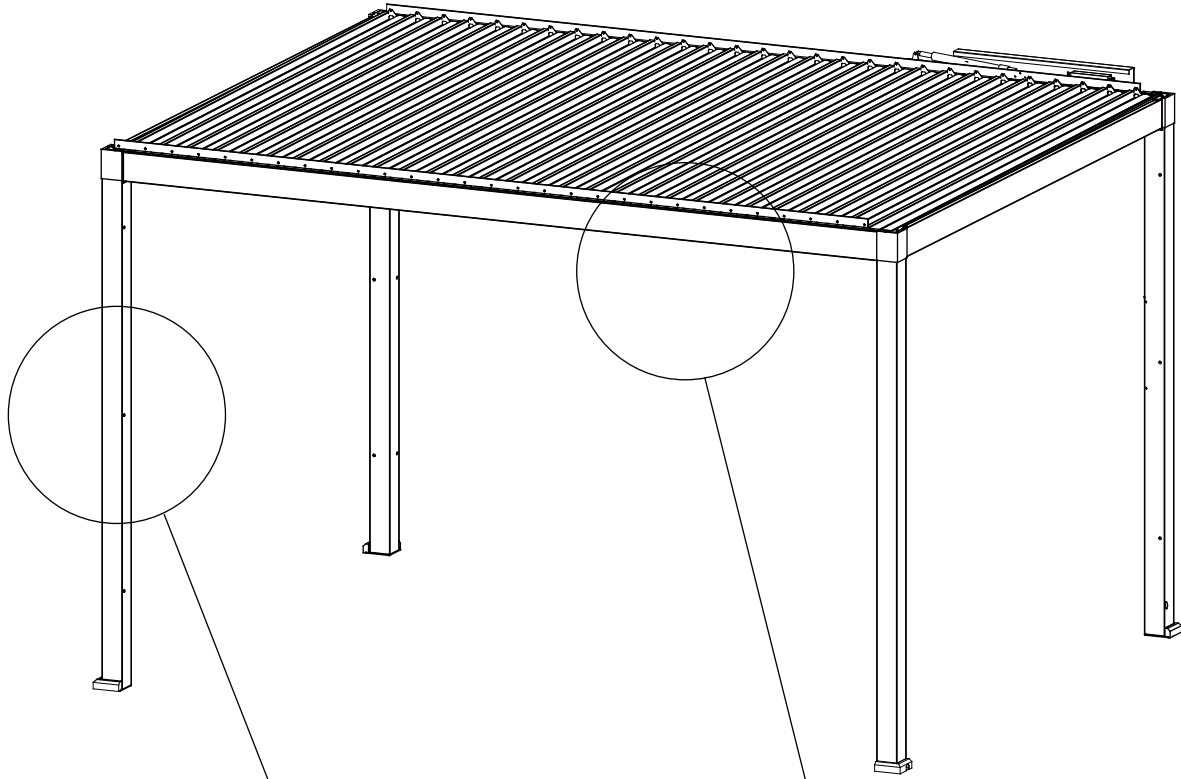
1 Preparations before installation



Please note: Before assembling the Movable louver side shade, the spacing between the posts must be measured, a and b, c and d should be parallel to each other, and the tolerance should be controlled within $\pm 1mm$. This is to ensure that the products (e.g. Movable louver side shade) are easy to handle when assembled and that no other problems arise.

Installation Instructions

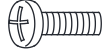
2 Remove the bolts

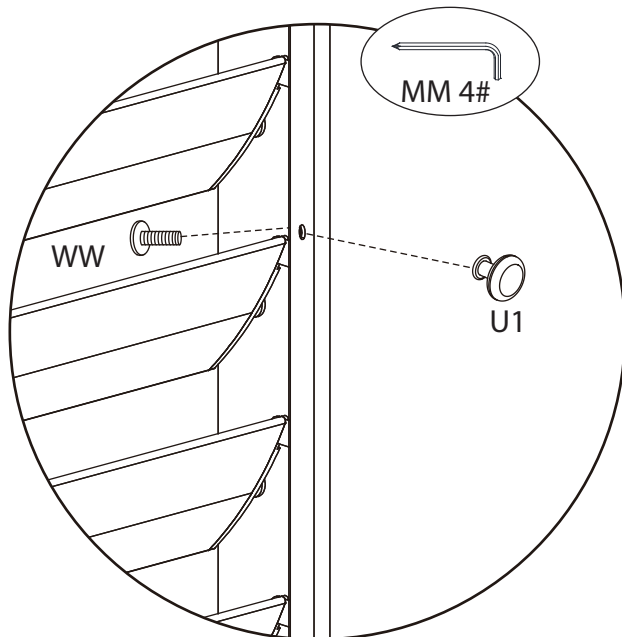
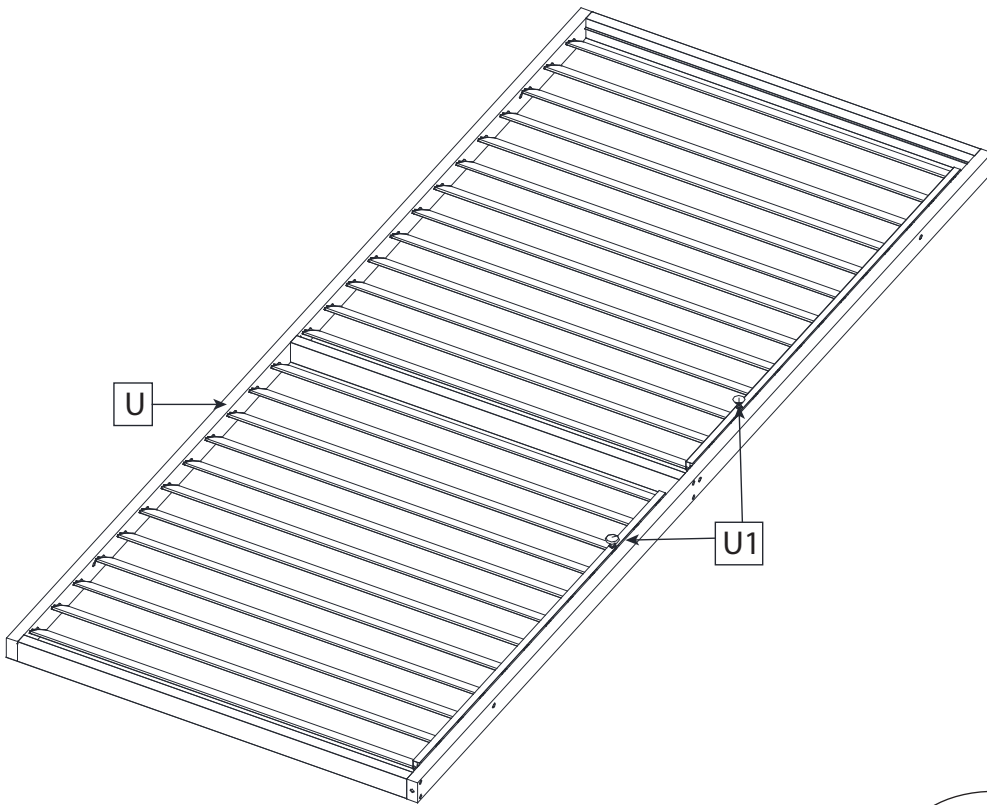


Unscrew the pre-installed bolts at the location where you want to install.

Installation Instructions

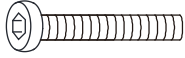
3 Installing the Handle

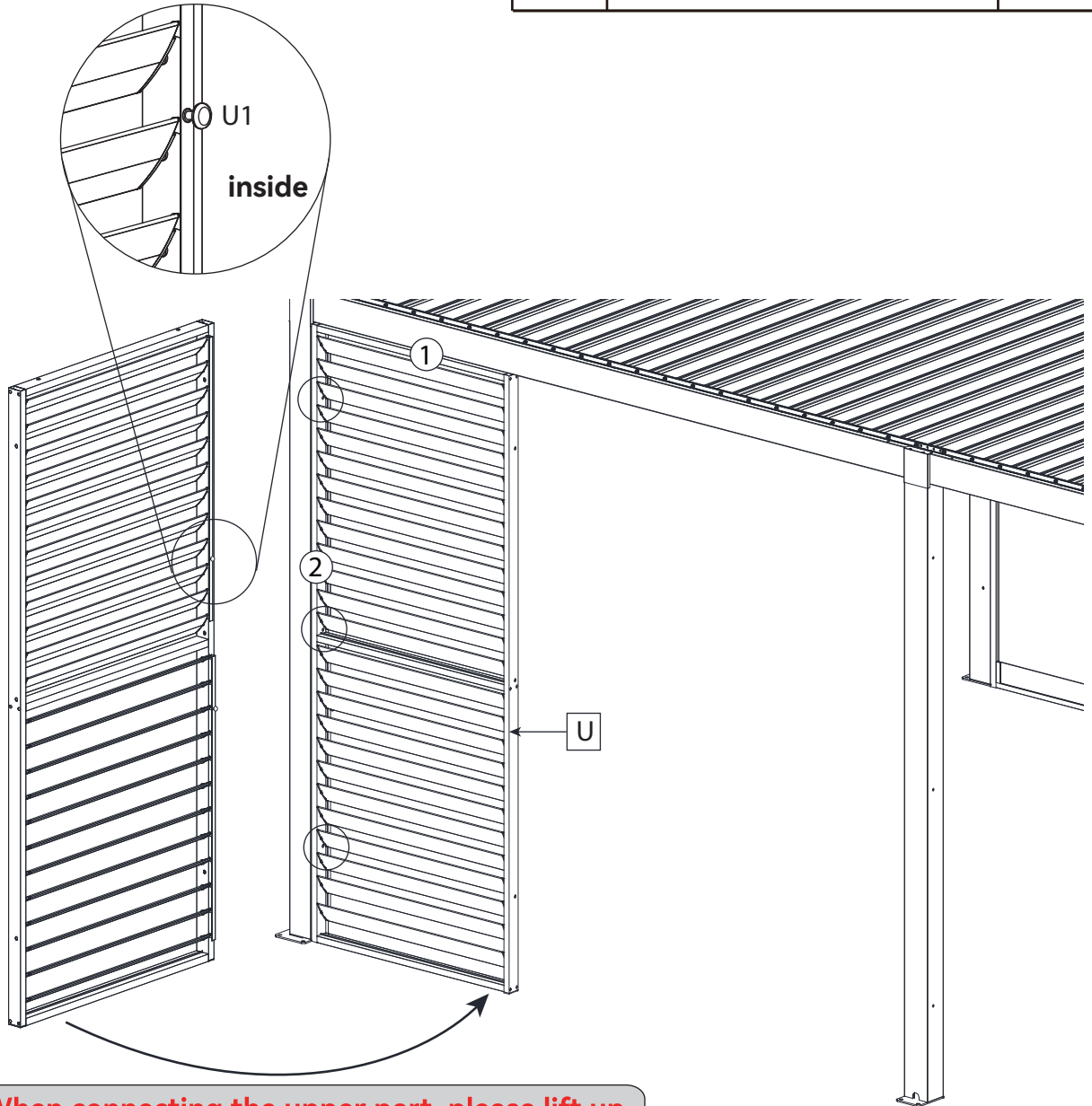
WW		x6
----	---	----



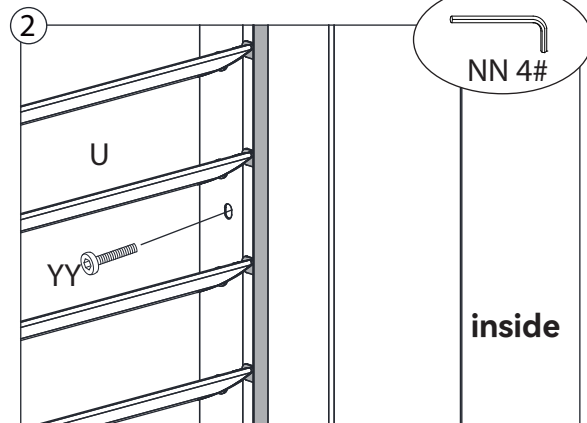
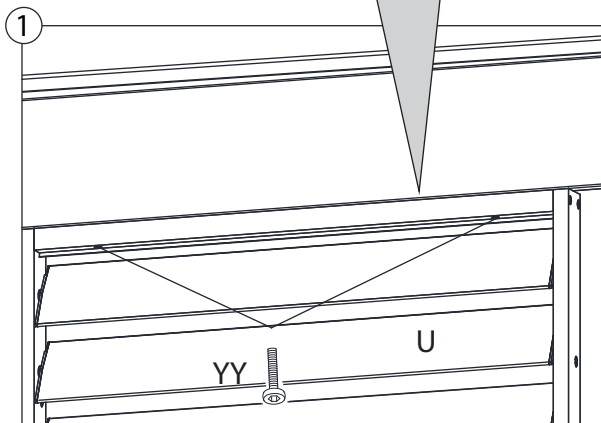
Installation Instructions

4 Installing the Shade

YY		x5
----	---	----

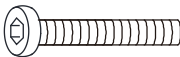
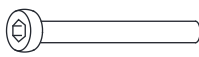



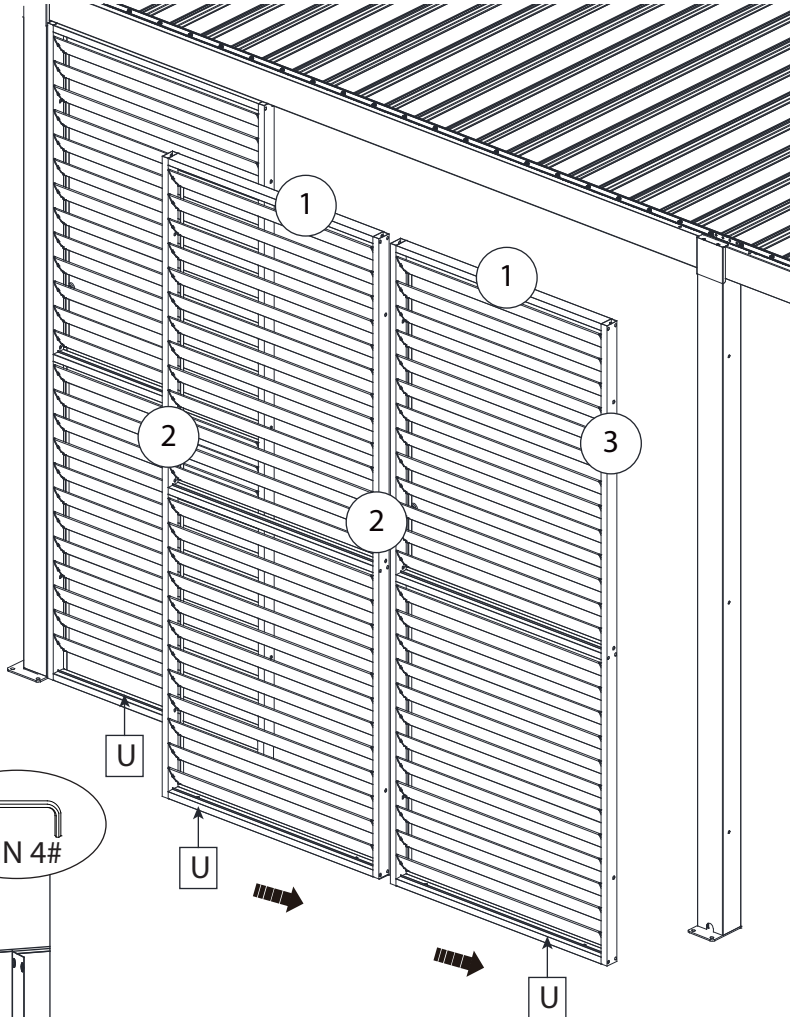
When connecting the upper part, please lift up a little bit, it will be more convenient to install.



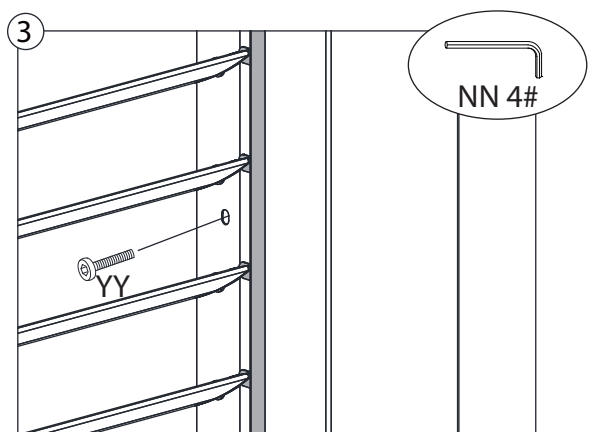
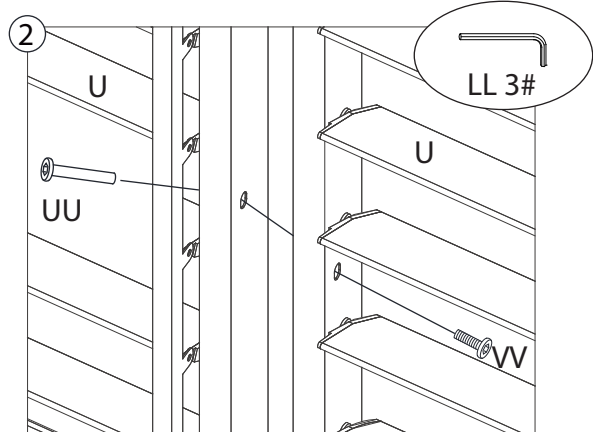
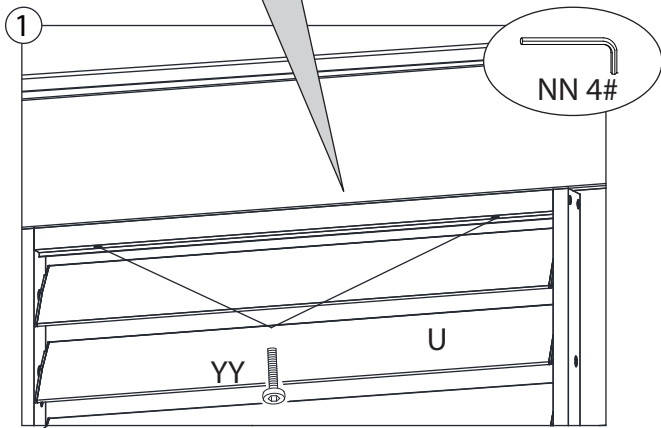
Installation Instructions

5 Installing the Shade

YY		x7
UU		x6
VV		x6

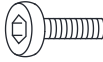



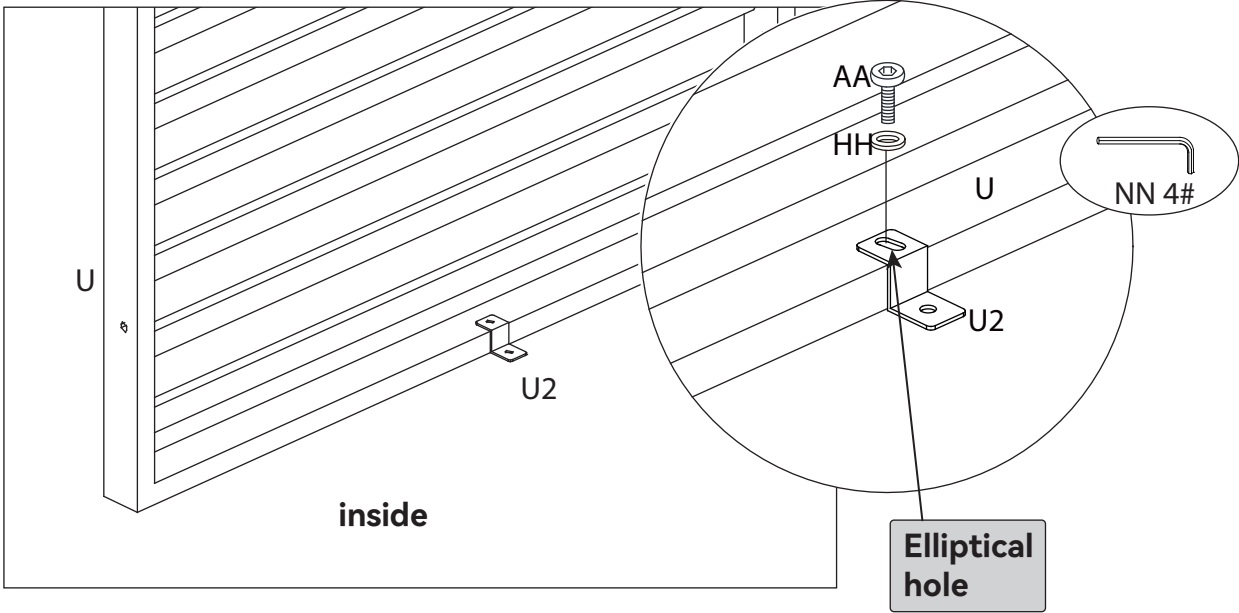
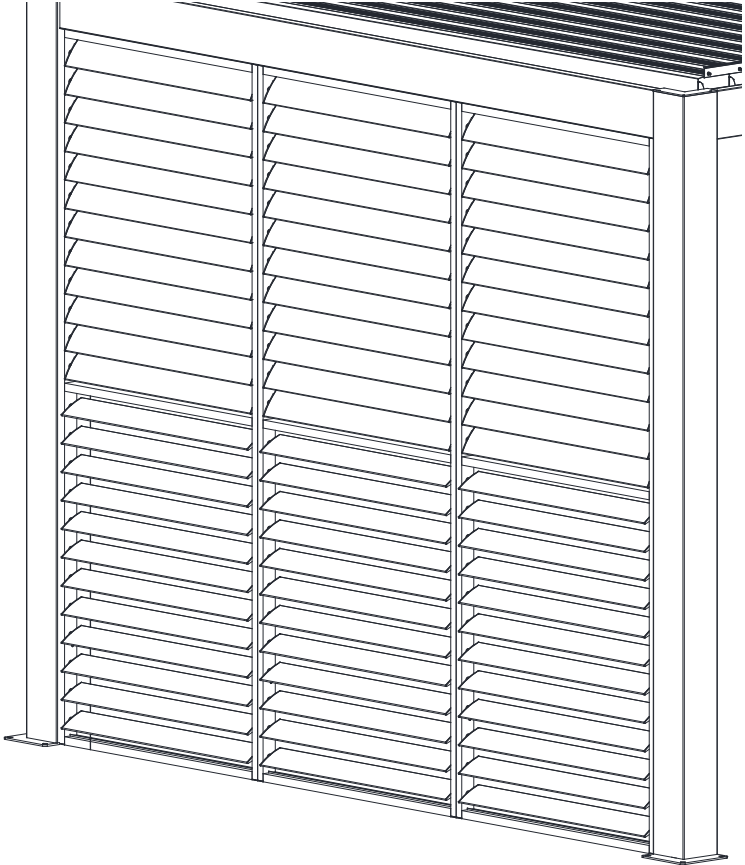
When connecting the upper part, please lift up a little bit, it will be more convenient to install.



Installation Instructions

6 Installing the fixed part

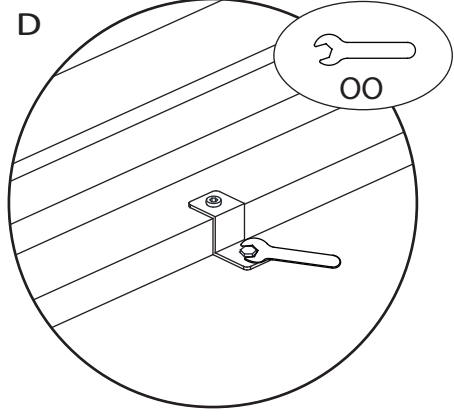
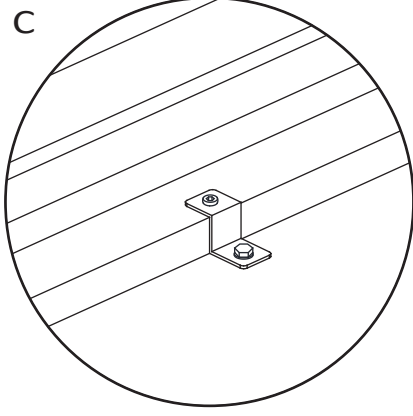
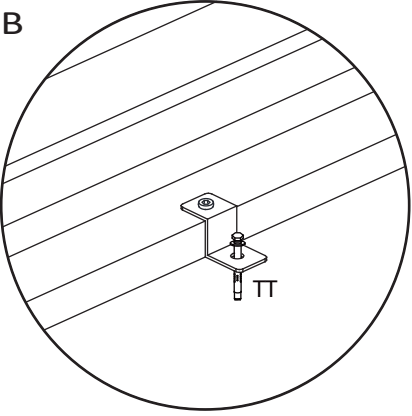
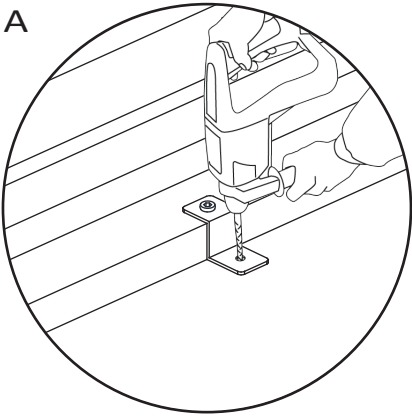
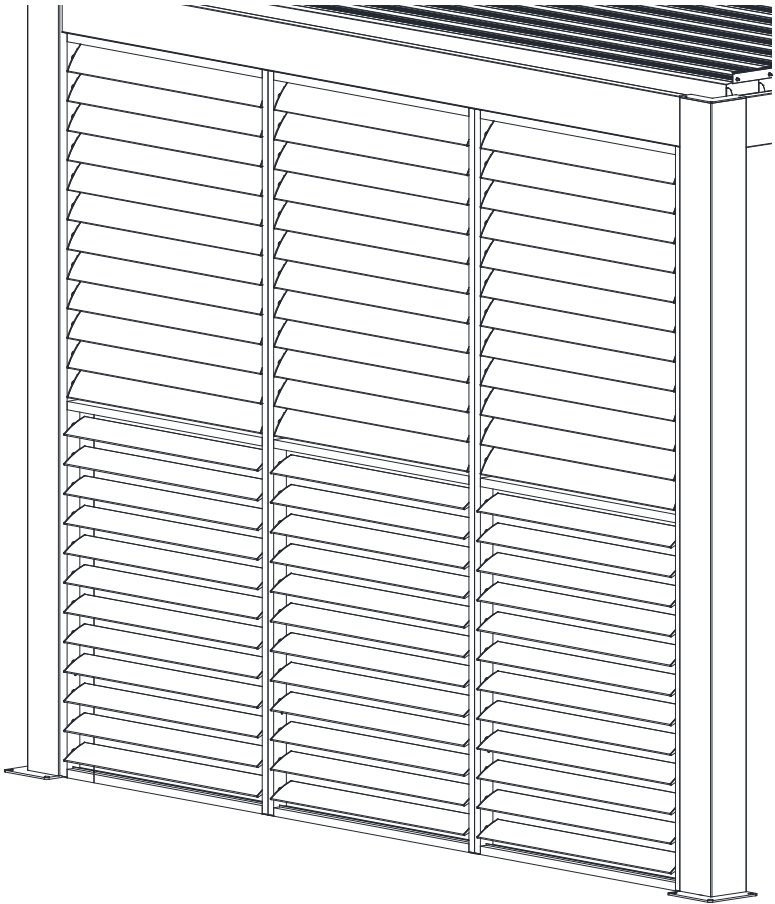
AA		x3
HH		x3



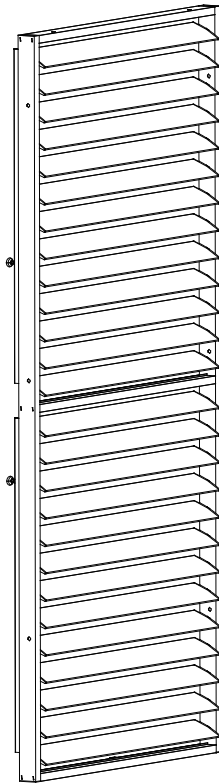
Installation Instructions

7 Installing the fixed part

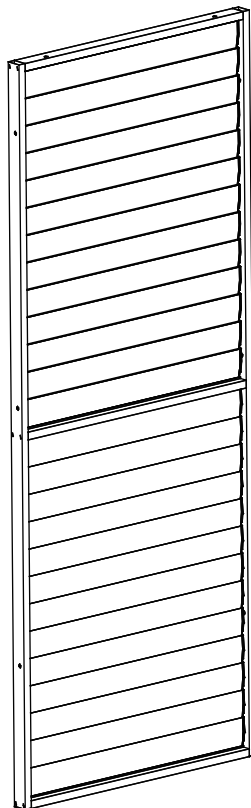
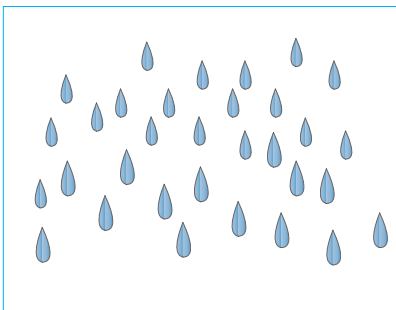
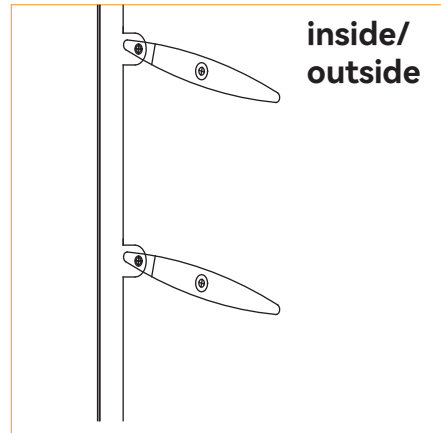
TT		x3
----	---	----



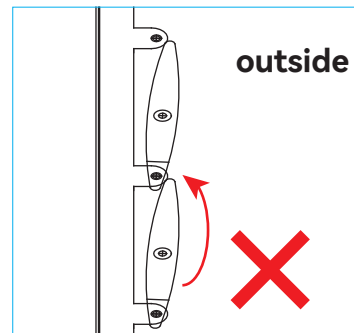
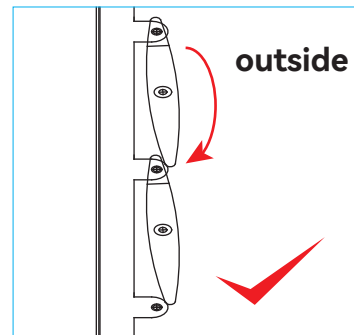
Warm Tips



OPEN



CLOSE



Help Center

Have questions about your product? We are always here to help.



Chat Support



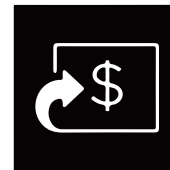
Product Inquiries



Order FAQ



Product Assembly



Returns & Refunds

10 Years Warranty & Free Return Policy Within 100 Days

10 Yearrs Warranty

We offer a limited warranty on the components of the pergola. The main structural frame is covered for up to 10 years. Auxiliary components, such as the opening and closing mechanisms, are covered for up to 7 years. The warranty period begins once the product is installed and registered.

Returns and Exchanges Within 100 Days

We offer free replacements for any damaged, defective, missing, or quality-compromised parts or products upon receipt. Additionally, you can enjoy our pergola with confidence, backed by a 100-day return and exchange policy.

Return Shipping Costs

Return shipping costs will depend on the specific reason for the return.

FlexPatio covers return shipping costs in the following cases:

- Wrong items delivered
- Products with damage or defects not caused by transportation
- Missing or incorrect accessories
- Quality issues that require replacement parts

Customers are responsible for return shipping costs in the following cases:

- Returning the product due to a change of mind
- Unsatisfied after the 100-day trial period
- Canceling the order while the item is already in transit

Return Process

How to Return:

• To initiate a return, please contact us via email, phone, or message. Once we receive your request, we will confirm it and provide detailed return instructions.

Return Steps:

- Contact us to receive return instructions. (Please do not return items to the shipping address; we will provide the correct return address.)
- Fill out the return form with your order number, reason for return, and any other relevant details.
- Securely pack the item in its original packaging and keep the original labels intact
- Ship the item back using the return label we provide (if applicable).
- Once we receive and inspect the returned item, we will process your refund within 24 hours.

Reach Us At

📧 **Email:** support@flexpatio.com

☎ **Phone:** +1 213-456-9168

🌐 **Website:** www.flexpatio.com