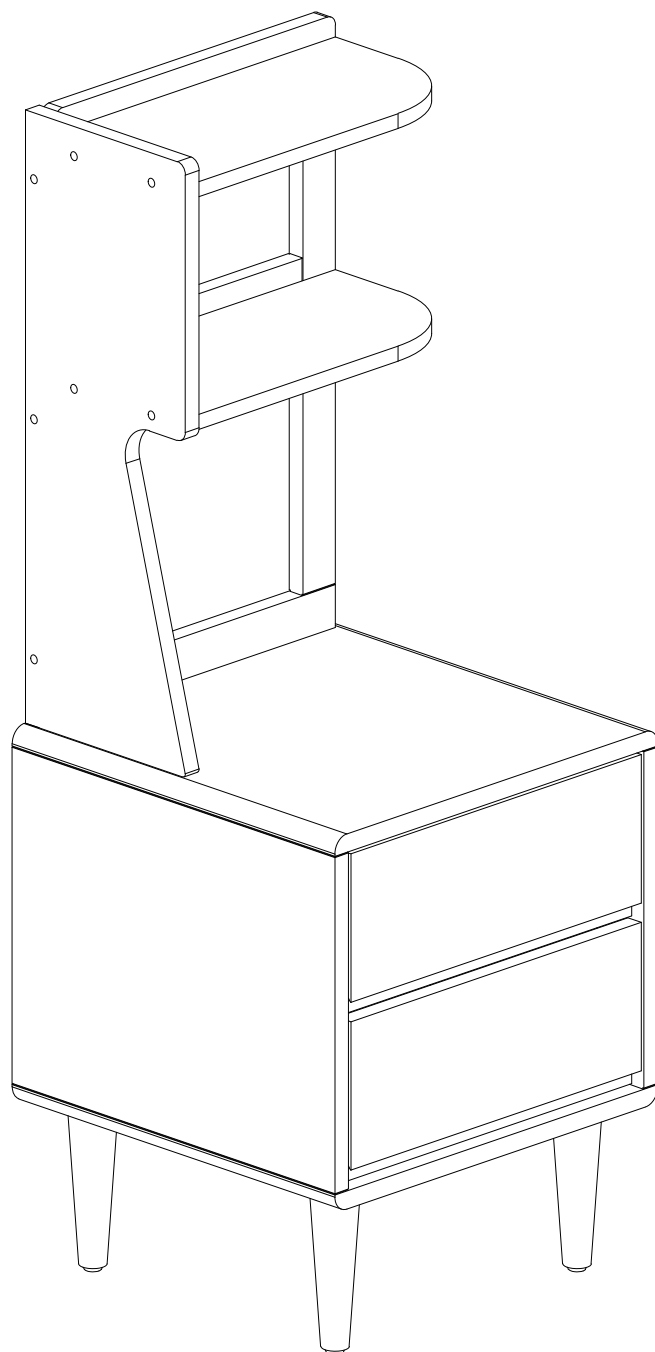
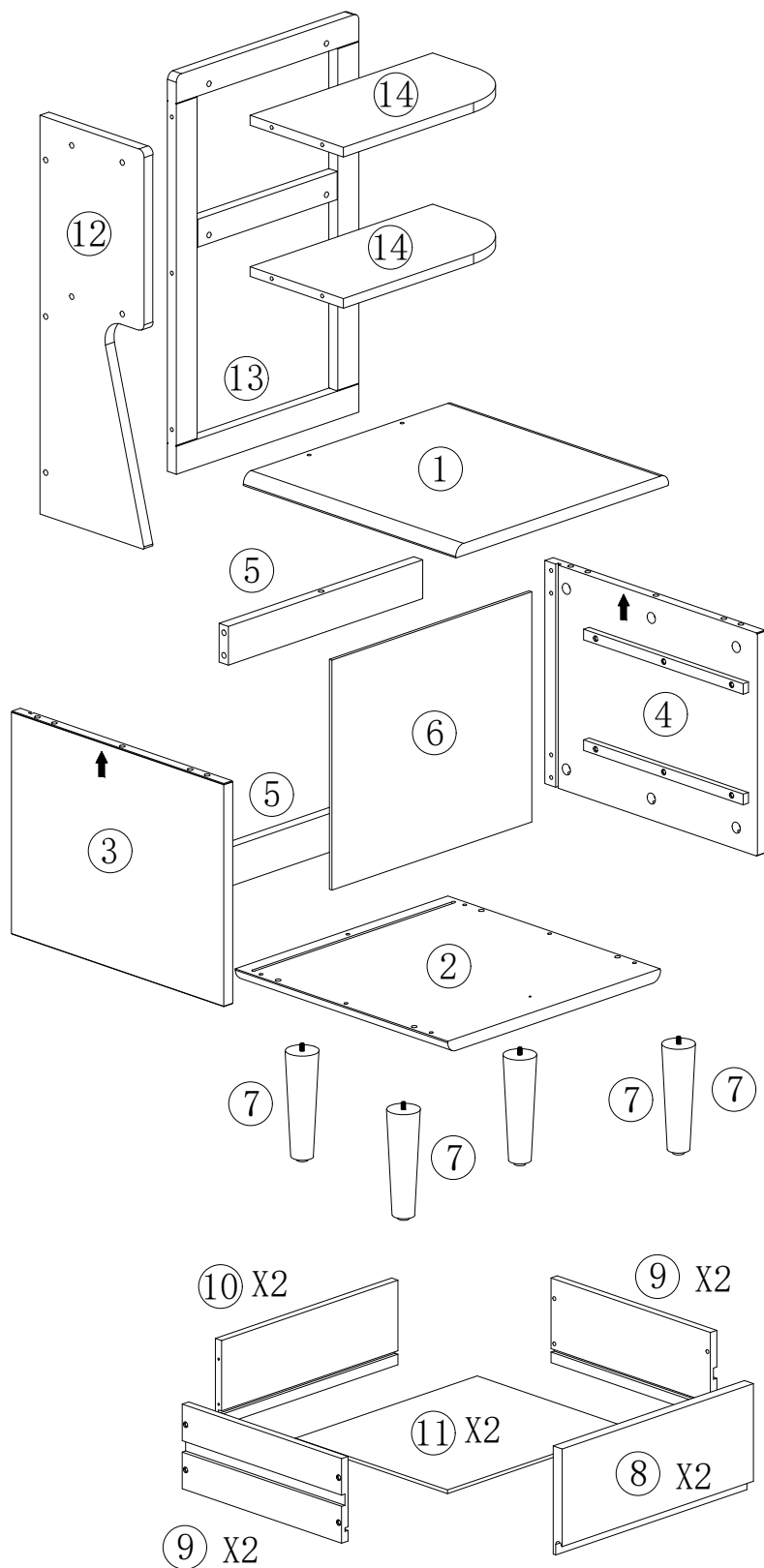


# Installation & Assembly



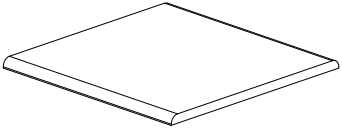
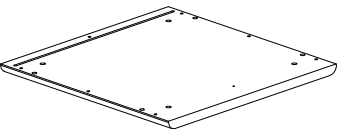
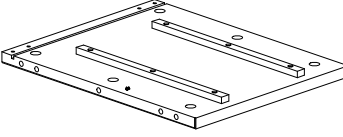
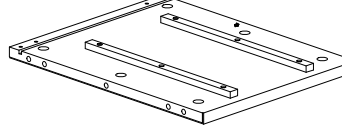
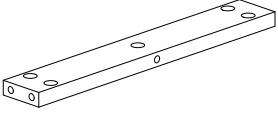
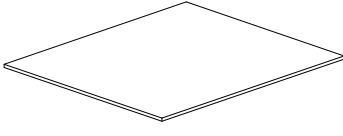

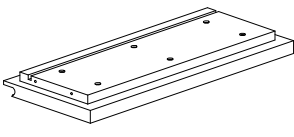
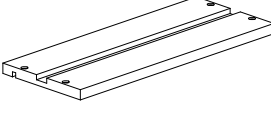
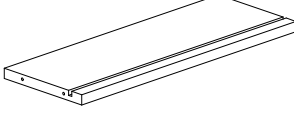
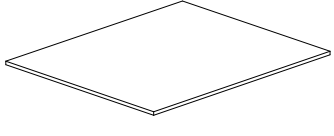
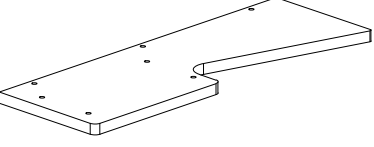
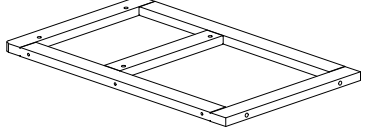
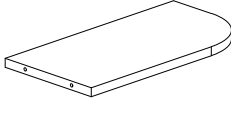
# Installation Diagram

NAME Two Drawers Nightstand



Specification name: two drawers nightstand

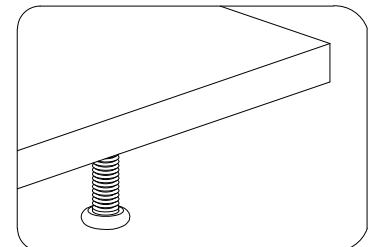
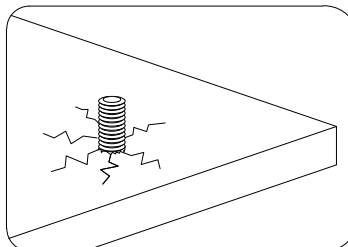
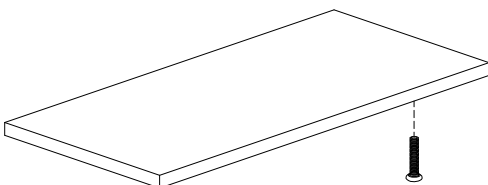
# Parts List

<p>①</p>  <p>400*400*17MM 1PC</p>	<p>②</p>  <p>400*400*17MM 1PC</p>	<p>③</p>  <p>316*400*27MM 1PC</p>
<p>④</p>  <p>316*400*27MM 1PC</p>	<p>⑤</p>  <p>366*55*17MM 2PCS</p>	<p>⑥</p>  <p>326*376*5MM 1PC</p>
<p>⑦</p>  <p>150*Ø45MM 4PCS</p>	<p>⑧</p>  <p>360*153.5*29MM 2PCS</p>	<p>⑨</p>  <p>300*120*12MM 4PCS</p>
<p>⑩</p>  <p>332*120*12MM 2PCS</p>	<p>⑪</p>  <p>342*286*5MM 2PCS</p>	<p>⑫</p>  <p>572*198*17MM 1PC</p>
<p>⑬</p>  <p>572*348*17MM 1PC</p>	<p>⑭</p>  <p>348*178*14MM 2PCS</p>	

## Note

Using the right screws can prevent damage to these components

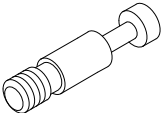


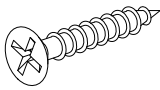
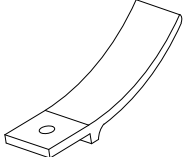
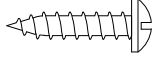
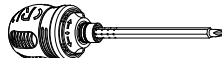
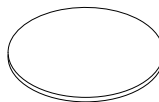

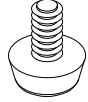
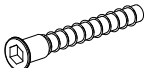

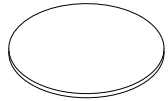
Example



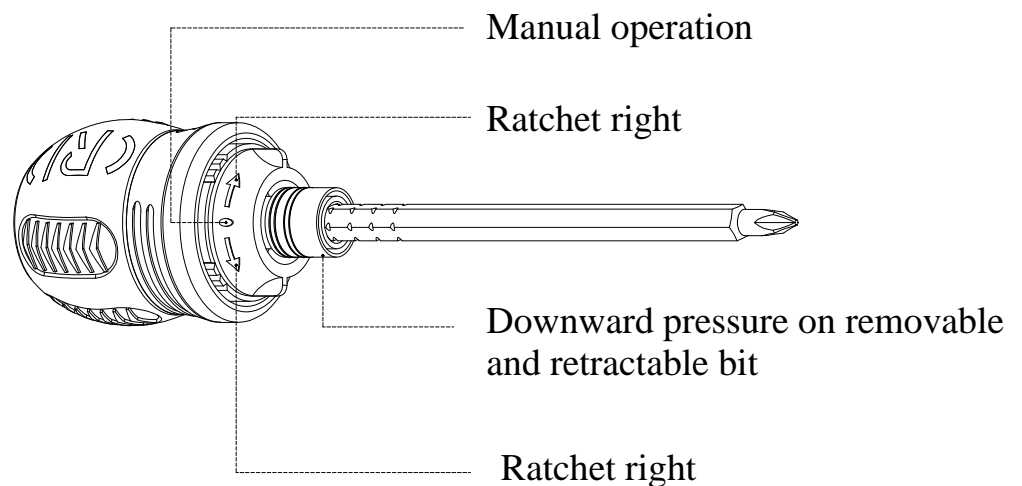
Mistake: Screws can cause boards to split Correct: screws are the correct size

Specification name: two drawers nightstand

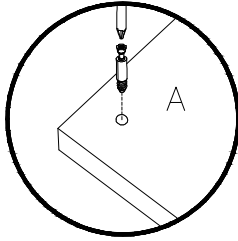
# Hardware Table

<p><b>A</b></p>  <p>L=40MM 24+2PCS</p>	<p><b>B</b></p>  <p>Ø15*11MM 24+2PCS</p>	<p><b>C</b></p>  <p>Ø8*30MM 8+1PCS</p>
<p><b>D</b></p>  <p>#8*25MM 16+2PCS</p>	<p><b>E</b></p>  <p>L=50MM 2PCS</p>	<p><b>F</b></p>  <p>#3.5*15MM 2+1PCS</p>
<p><b>G</b></p>  <p>M6*136MM 1PC</p>	<p><b>H</b></p>  <p>Ø20MM 12+2PCS</p>	<p><b>I</b></p>  <p>1PC</p>
<p><b>J</b> Installed</p>  <p>M6*Φ19*15MM 4PCS</p>	<p><b>K</b></p>  <p>M7*35MM 11+1PCS</p>	<p><b>L</b></p>  <p>M4*100MM 1PC</p>
<p><b>M</b></p>  <p>Ø15MM 3PCS</p>		

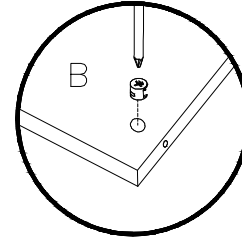
## All-in-one Ratchet Screwdriver Instruction Manual



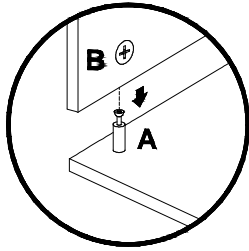
# How to use the cam lock system



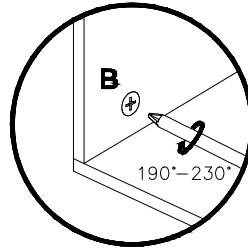
**1. Screw cam bolt into panel**



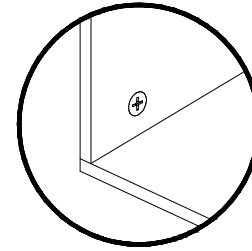
**2. Push cam into panel - arrow feature on cam top points to panel edge**



**3. Align cam bolt(s) with cam(s) and insert all the way into cross-bored hole(s)**

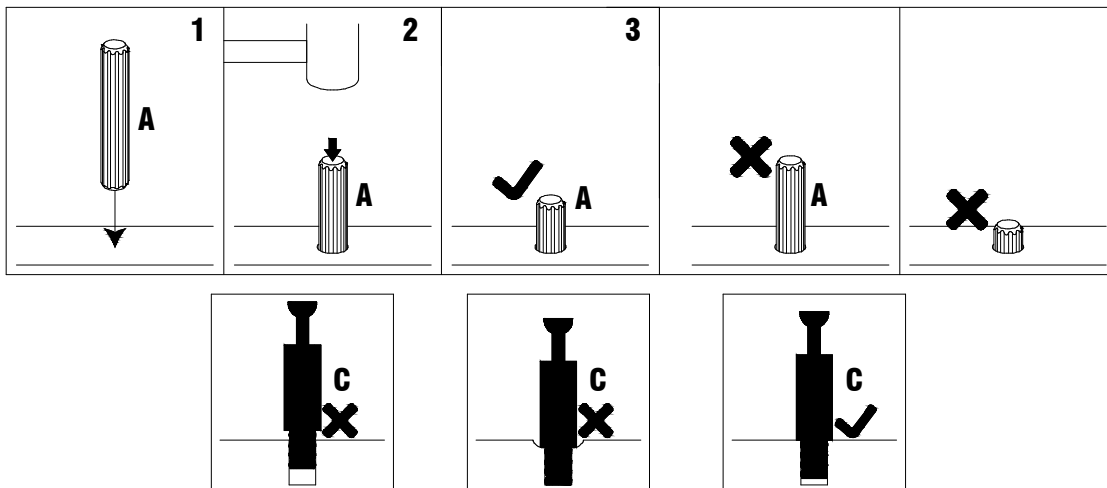


**4. Rotate cam(s) clockwise 190°-230° to lock panels together**



**5. Panels should be tight against each other and connection should be rigid**

**Insert the wood dowel (A) at least half way by tapping lightly with a rubber mallet, IF NECESSARY**

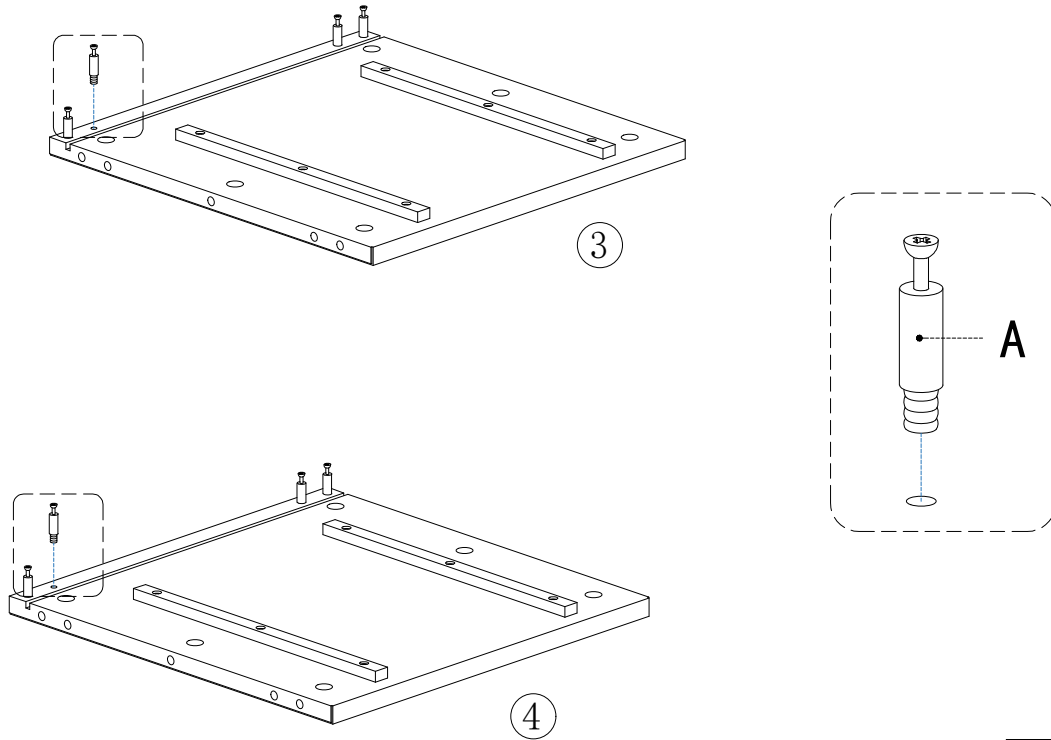


## **⚠ WARNING**

- Unit must be placed on a level surface or leveled with included hardware (when applicable).
- Do not sit or stand on or allow children to climb, sit or stand on the assembled product.
- For safety reasons, it is imperative that this unit be mounted to the wall.
- Do not use without installing the tip restraint.
- Unit can tip over causing severe injury or death.
- Do not exceed the recommended weight limits.
- Evenly distribute the weight on each level and always keep the heavier loads on the bottom.
- Before cutting, drilling or hammering into any wall or floor surface, verify the location of electrical, plumbing and gas lines. Cutting may cause serious injury.

# Specification name: two drawers nightstand

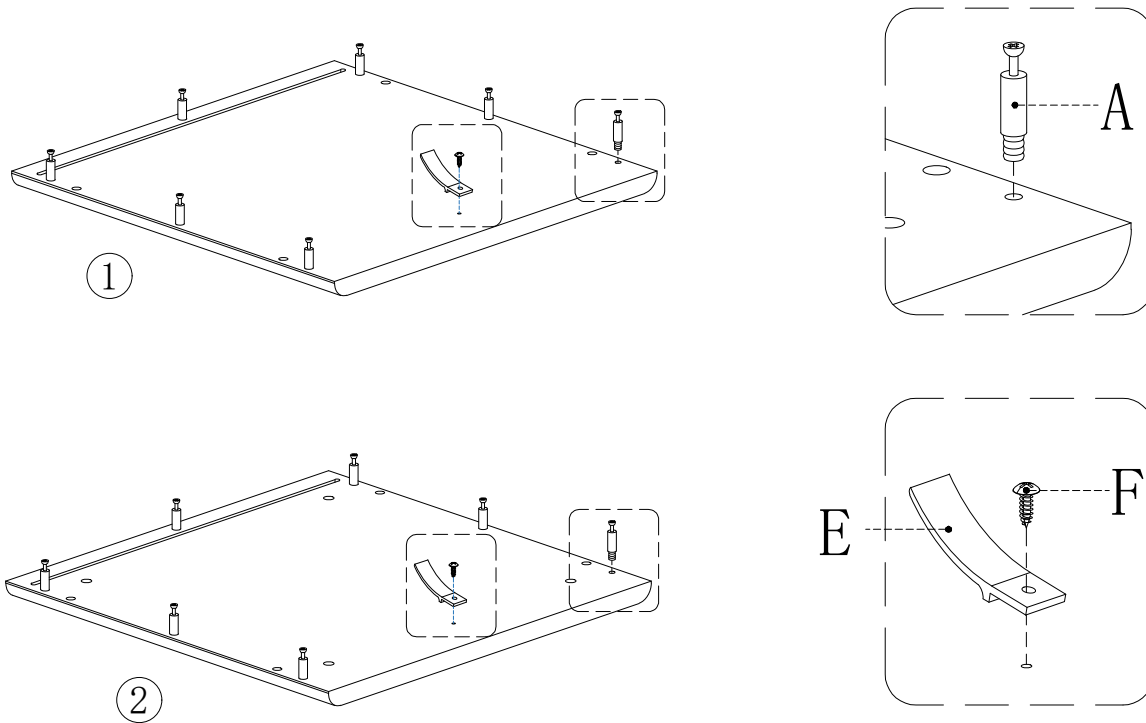
## Step 1



As shown, hardware A is secured to part 3/4 with tool G

A	L=40MM	8PCS
G	M6*136MM	1PC

## Step 2

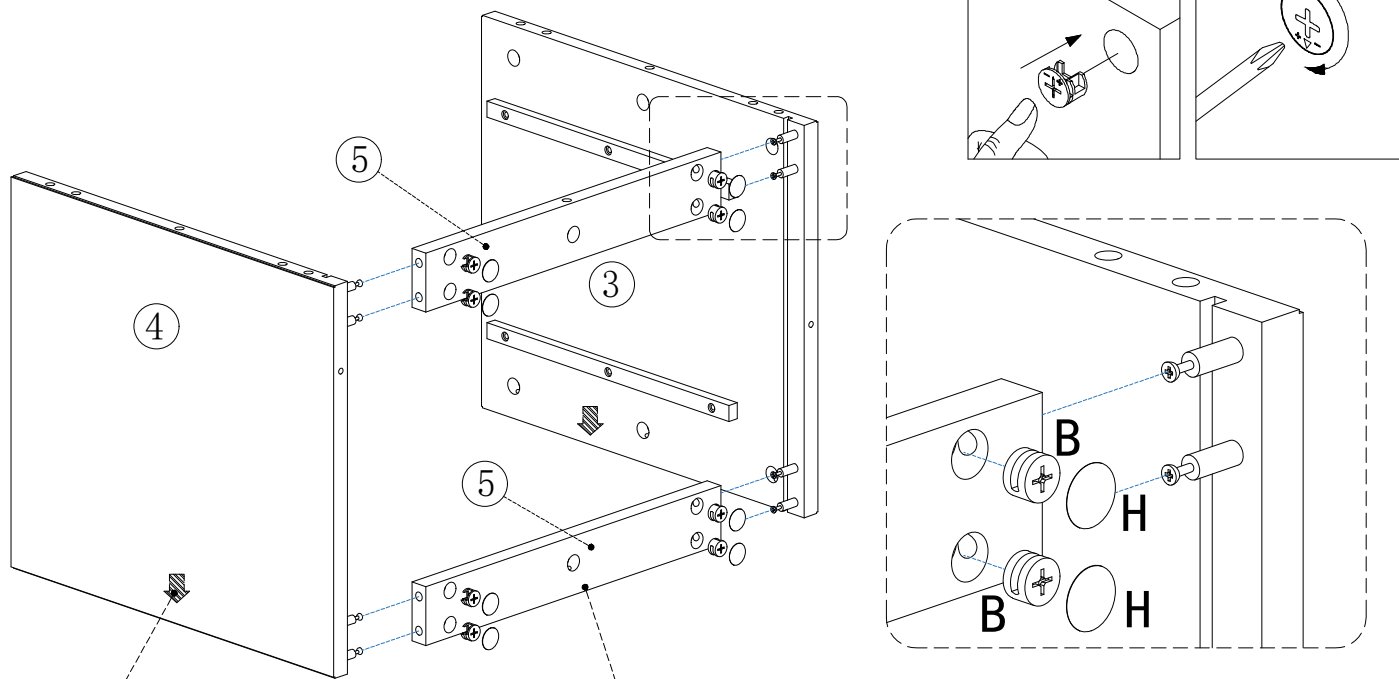


As shown, attach hardware A to part 1/2 with tool G.  
Attach hardware E/F to part 1/2 with tool G.

A	L=40MM	14PCS	E	L=50MM	2PCS
G	M6*136MM	1PC	F	#3.5*15MM	2PCS

# Specification name: two drawers nightstand


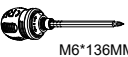
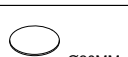
## Step 3



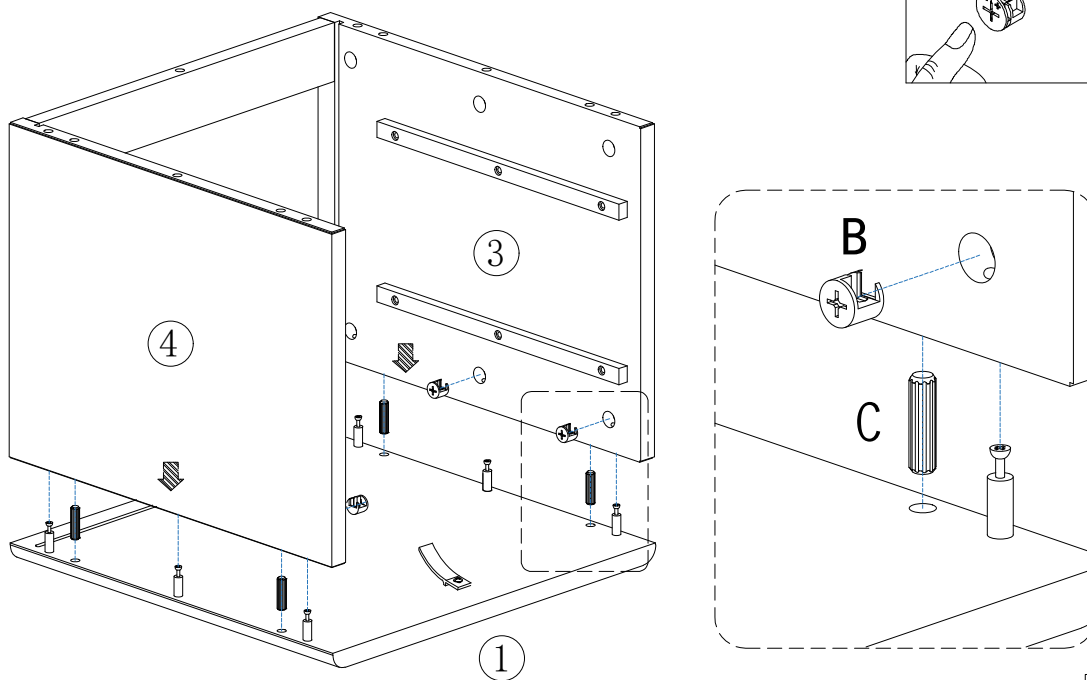
Upward pointing

Note the orientation of the hole in the center of part 5



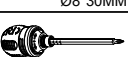
Attach parts 3/4/5 together with hardware B/G. Note the orientation of the hole in the center of part 5, and then cover the hole where part 5 is mounted with hardware H.

B	 Ø15*9MM	8PCS
G	 M6*136MM	1PC
H	 Ø20MM	8PCS

## Step 4

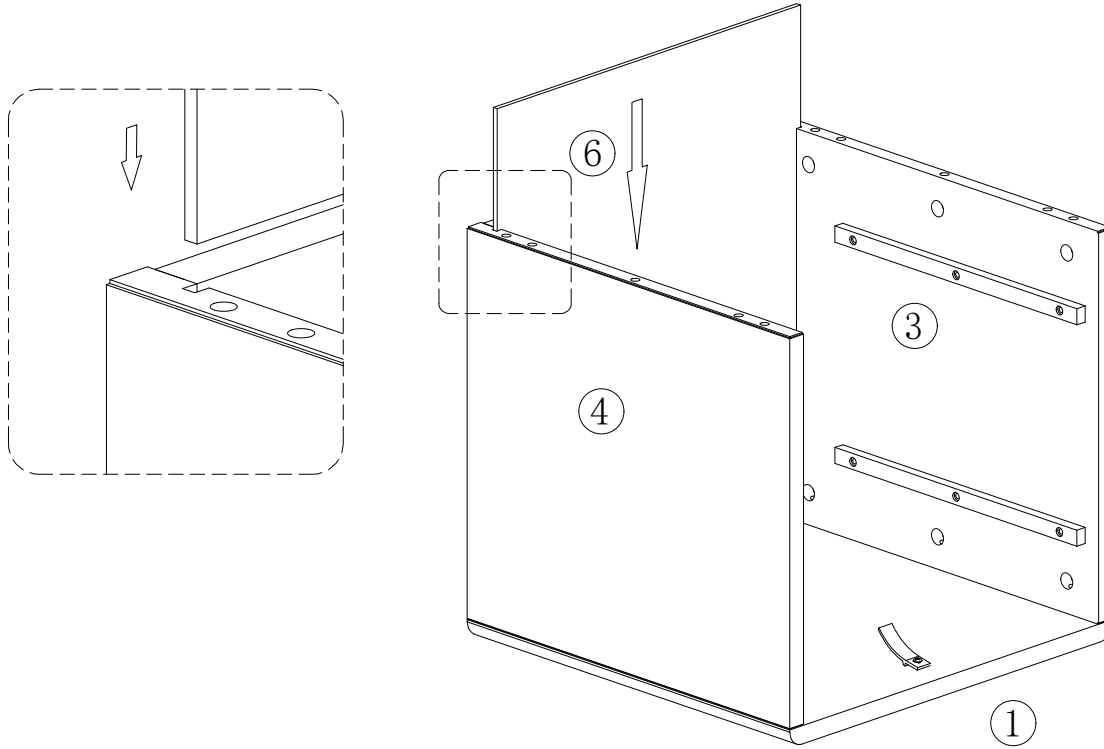


As shown, use hardware B/C/G to connect part 1 to the parts grouped in Step3.

B	 Ø15*9MM	6PCS
C	 Ø8*30MM	4PCS
G	 M6*136MM	1PC

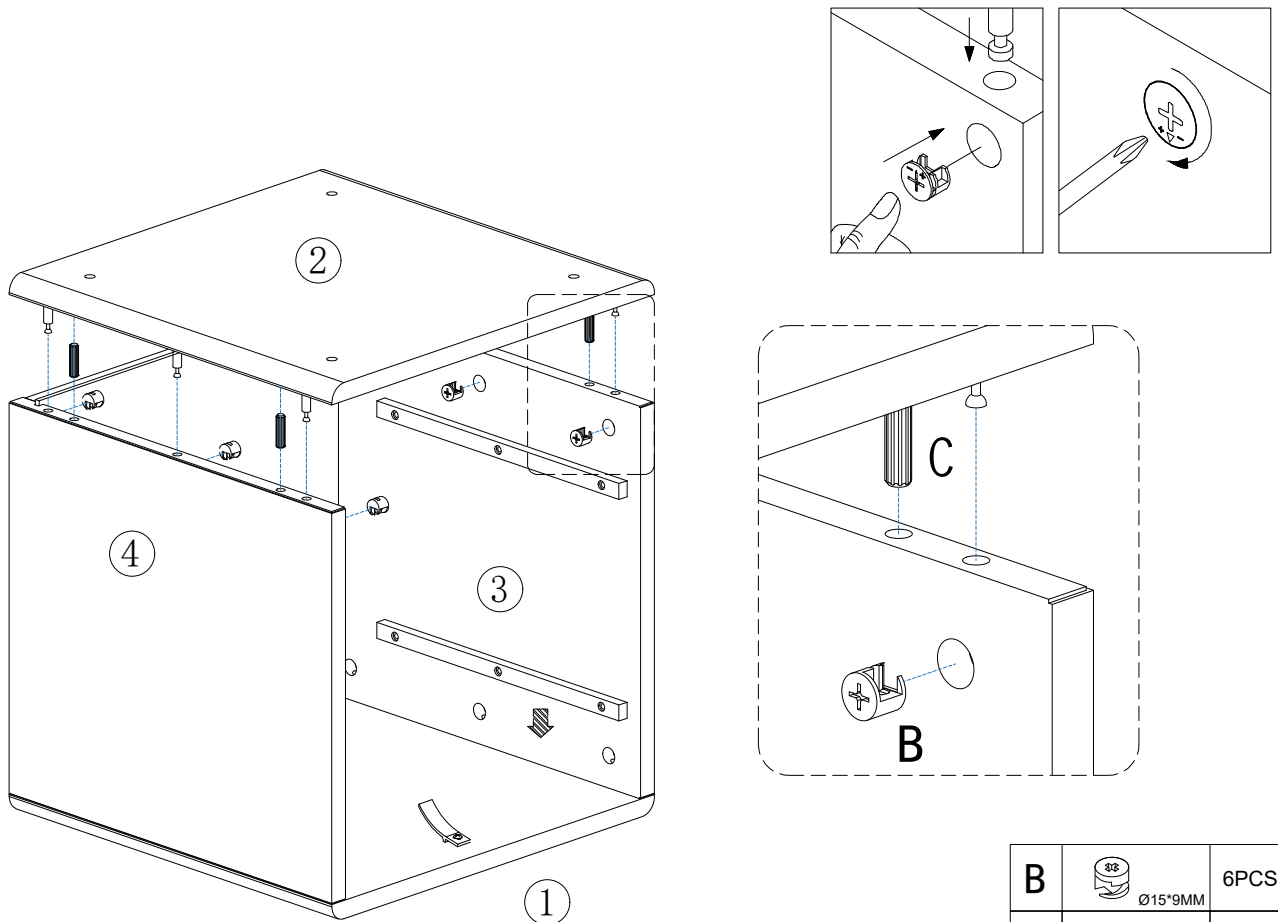
# Specification name: two drawers nightstand

## Step 5






Insert part 6 into the grouped parts of Step 4 as shown

## Step 6

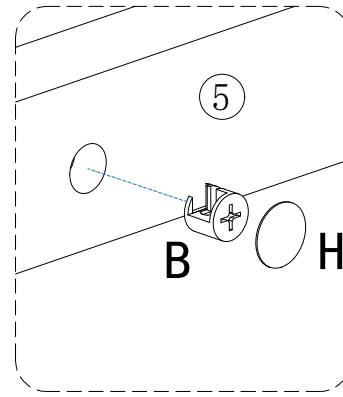
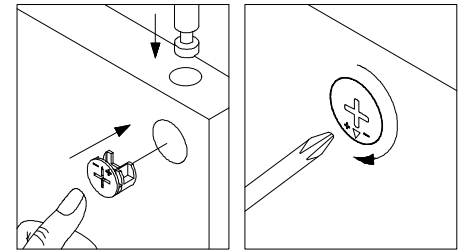
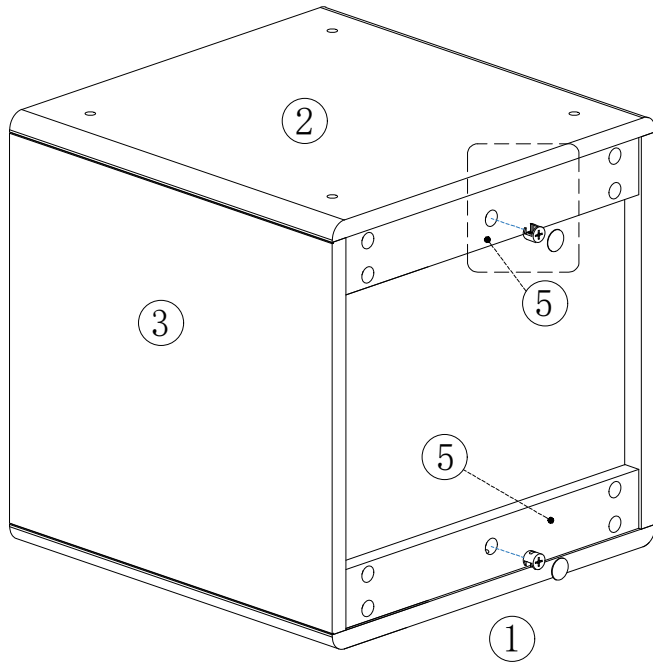


As shown, use hardware B/C/G to attach part 2 to the Step 5 grouped parts.

<b>B</b>	 Ø15*9MM	6PCS
<b>C</b>	 Ø8*30MM	4PCS
<b>G</b>	 M6*136MM	1PC

# Specification name: two drawers nightstand

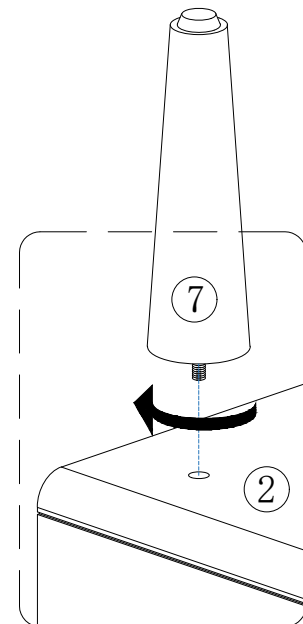
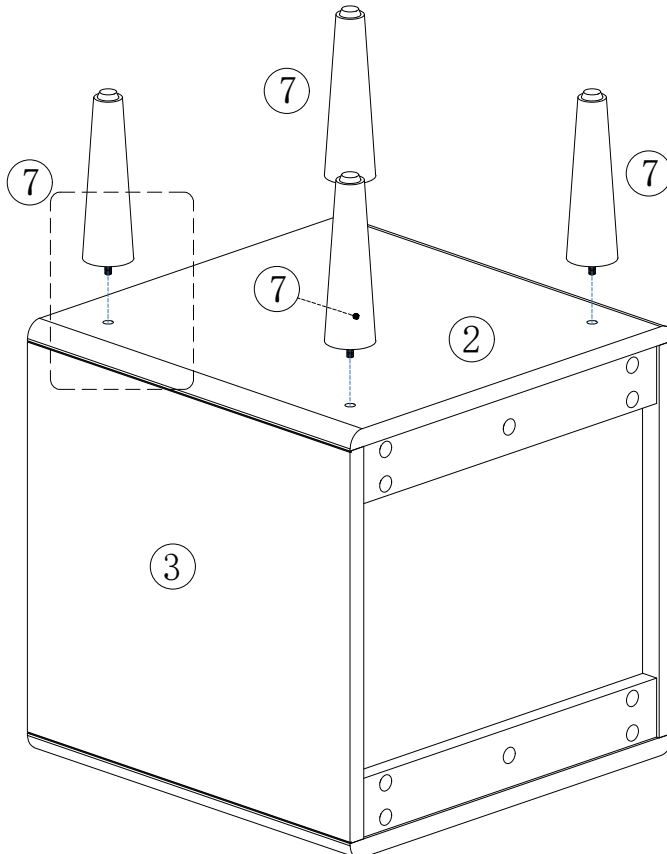
## Step 7



Attach parts 1/2/5 parts with hardware B/G and cover with hardware H as shown.

B	Ø15*9MM	2PCS
G	M6*136MM	1PC
H	Ø20MM	2PCS

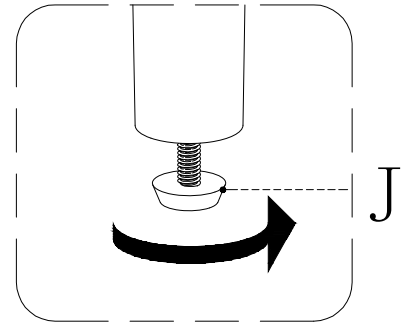
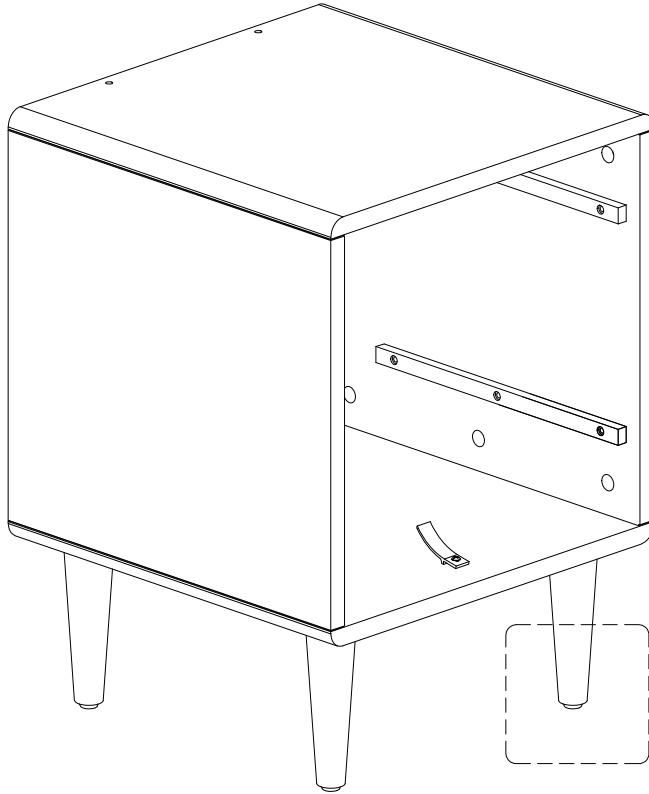
## Step 8



Tighten part 7 clockwise onto part 2 as shown.

# Specification name: two drawers nightstand

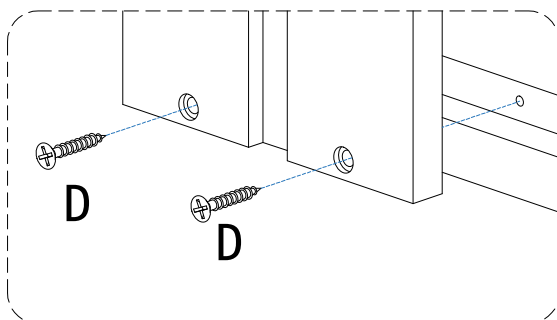
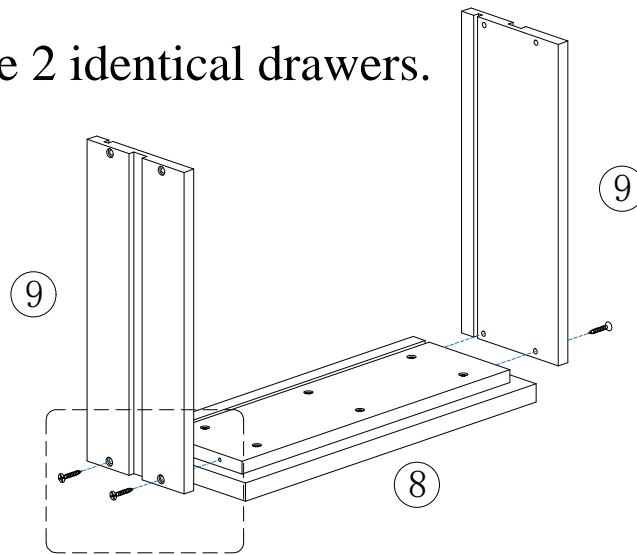
## Step 9





As shown, rotate the appropriate hardware J to adjust the two drawer nightstand to level.

## Step 10

Note that there are 2 identical drawers.



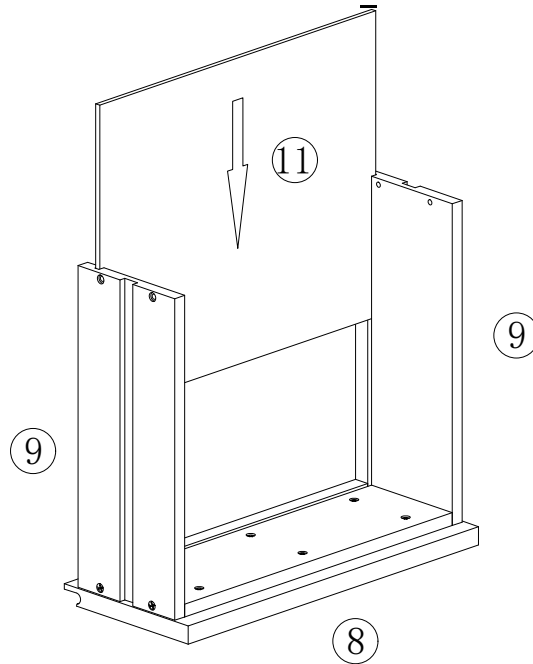
Attach parts 8/9 together with hardware D/G as shown.  
Note that the same drawer has 2 .

D	 #8*25MM	8PCS
G	 M6*136MM	1PC

# Specification name: two drawers nightstand

## Step 11

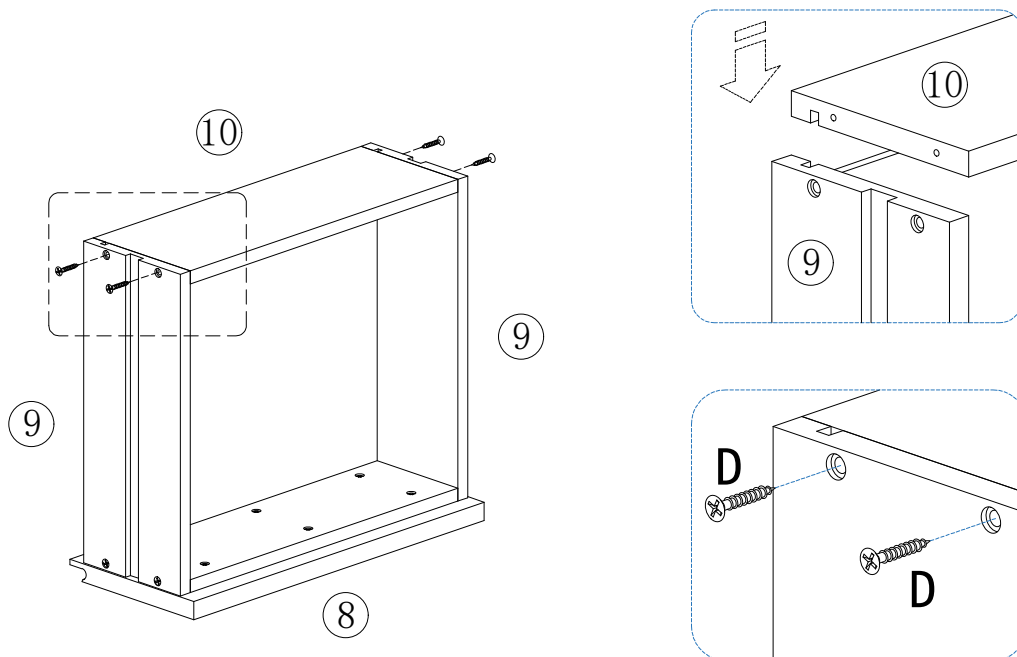
▲ Note that there are 2 identical drawers.





Insert part 11 into Step 8 grouped parts as shown. Note that the same drawer has 2 .

## Step 12

▲ Note that there are 2 identical drawers.

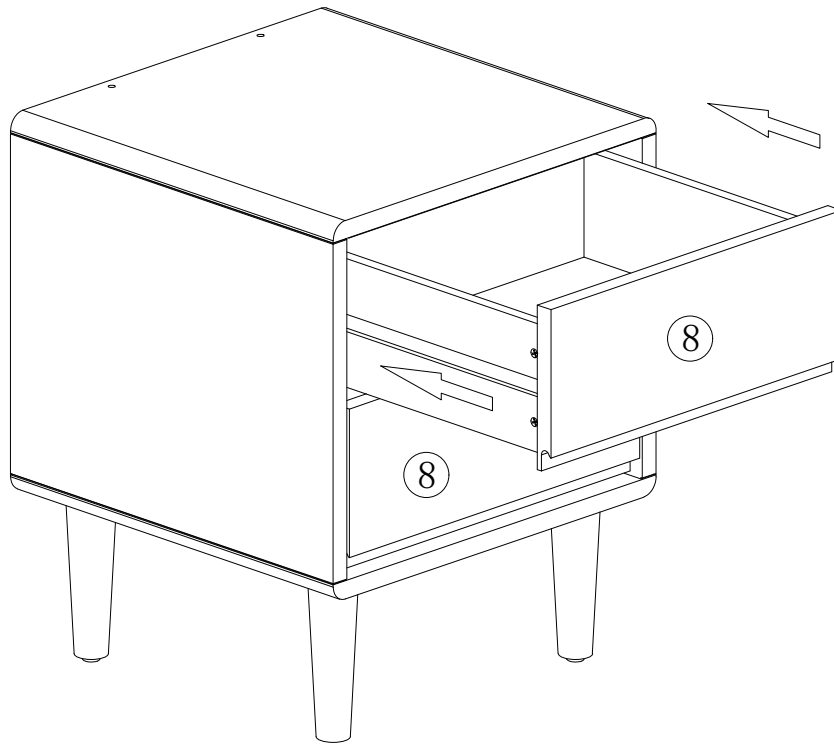


Attach parts 9/10 together with hardware D/G as shown.  
Note that the same drawer has 2 .

D	 #8*25MM	8PCS
G	 M6*136MM	1PC

## Specification name: two drawers nightstand

### Step 13

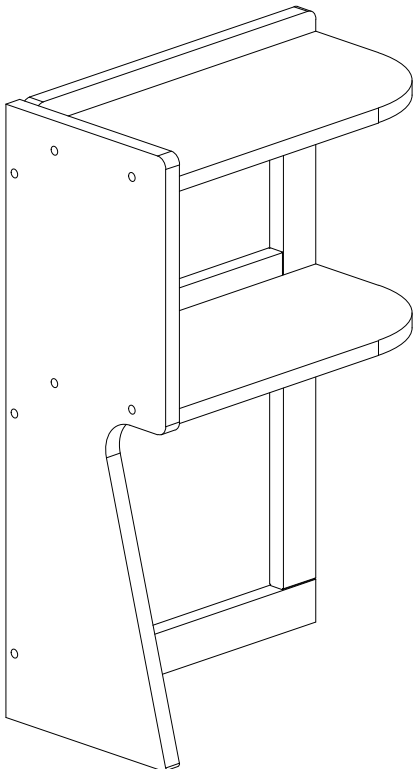


As shown in the picture, put the assembled drawers into the cabinet assembled in Step 9.

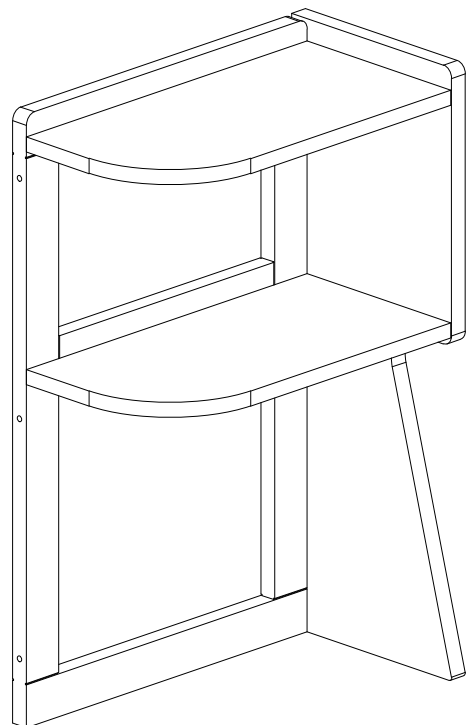
### Step 14

Please select the appropriate mounting method according to your needs:

Installation Method One:



Installation Method Two:



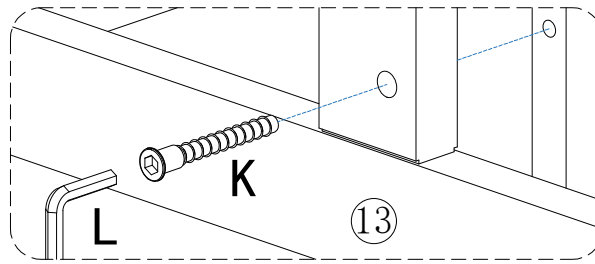
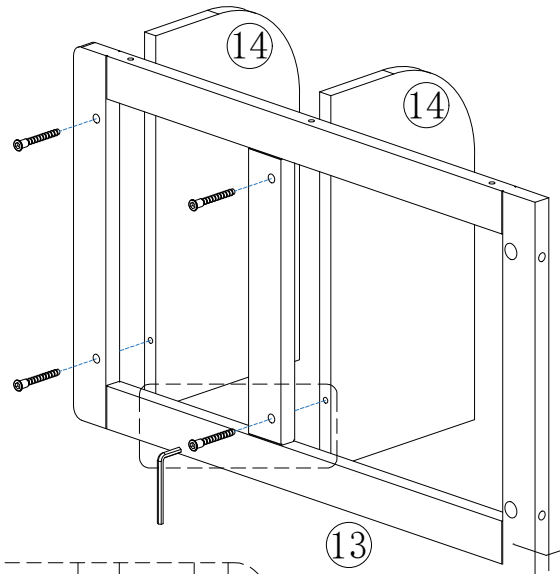
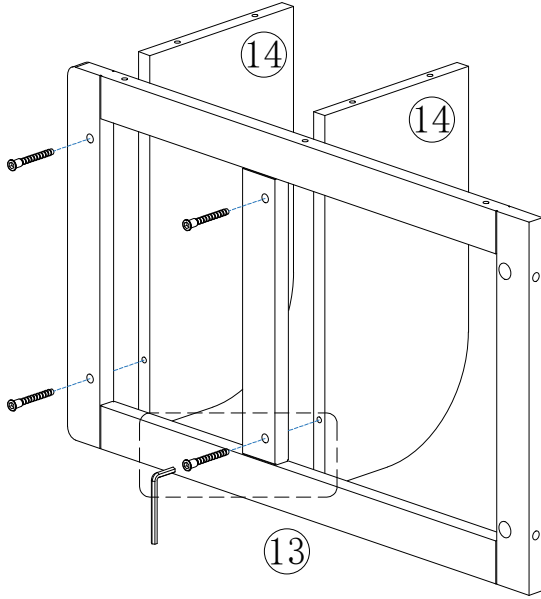
# Specification name: two drawers nightstand



## Step 15

Please select the appropriate mounting method according to your needs:

Installation Method One:

Installation Method Two:



K	 M7*35MM	4PCS
L	 M4*100MM	1PC

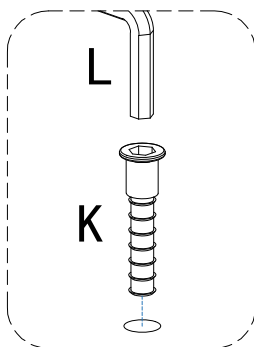
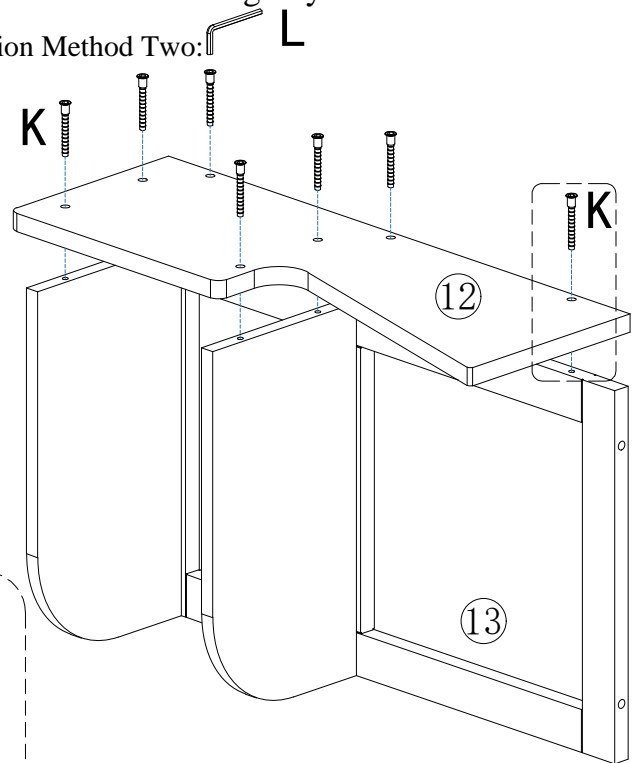
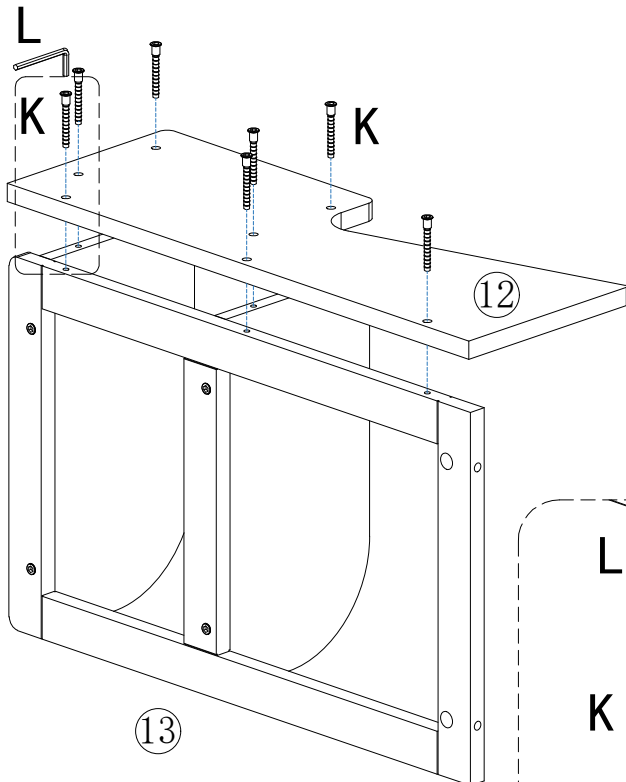
Assemble parts 13/14 with hardware K/L as shown.

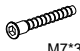

## Step 16

Please select the appropriate mounting method according to your needs:

Installation Method One:

Installation Method Two:

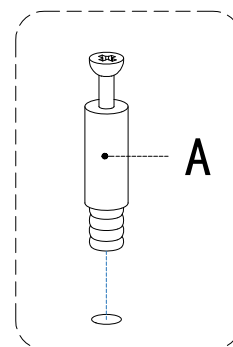
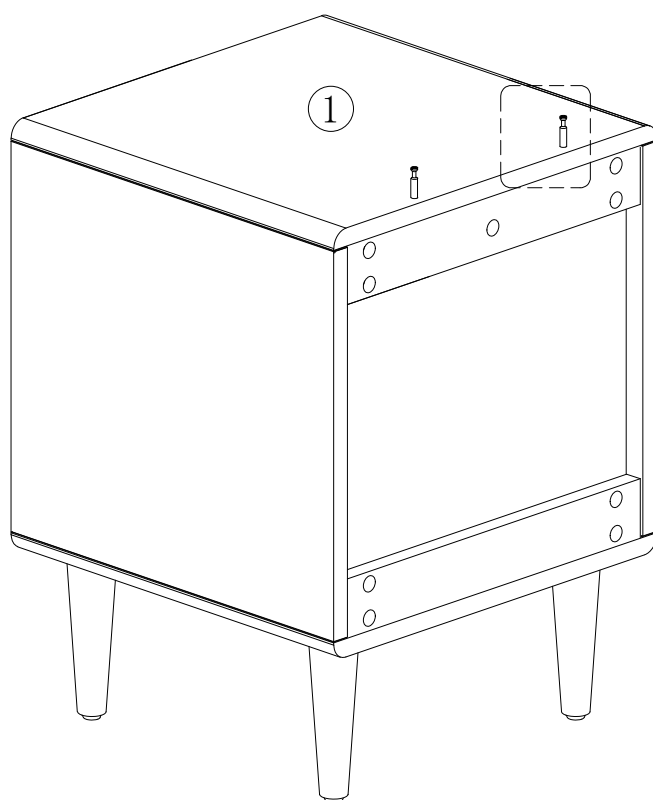


K	 M7*35MM	7PCS
L	 M4*100MM	1PC



As shown, assemble the Step 15 grouped parts with the #12 parts using the hardware K/L.

# Specification name: two drawers nightstand

## Step 17



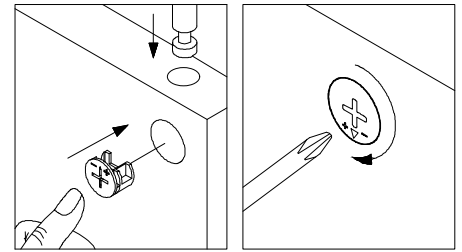
As shown in the figure, assemble the hardware A with tools in the position shown in Step 13 assembled parts.

A	 L=40MM	2PCS
G	 M6*136MM	1PC

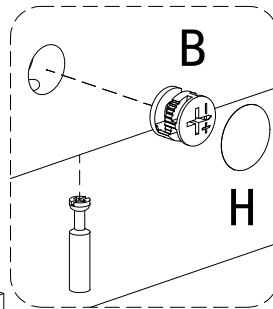
# Specification name: two drawers nightstand

Step 18

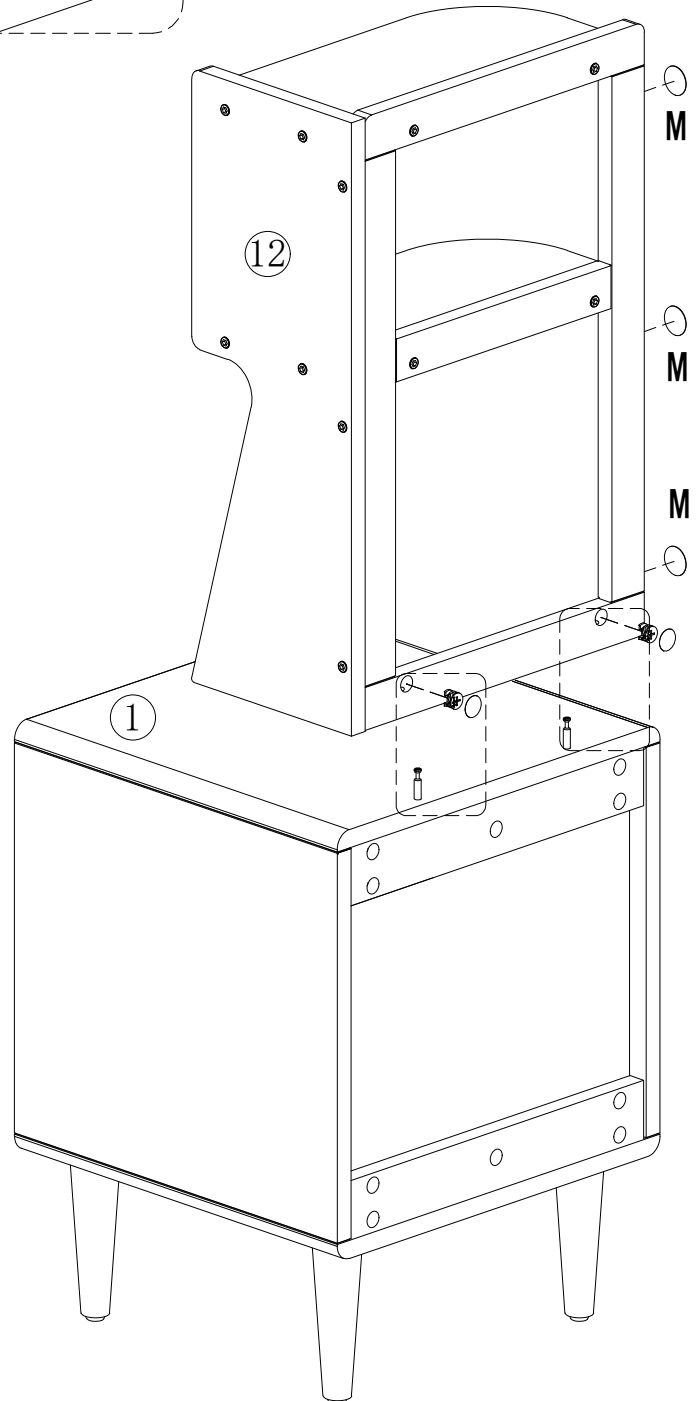
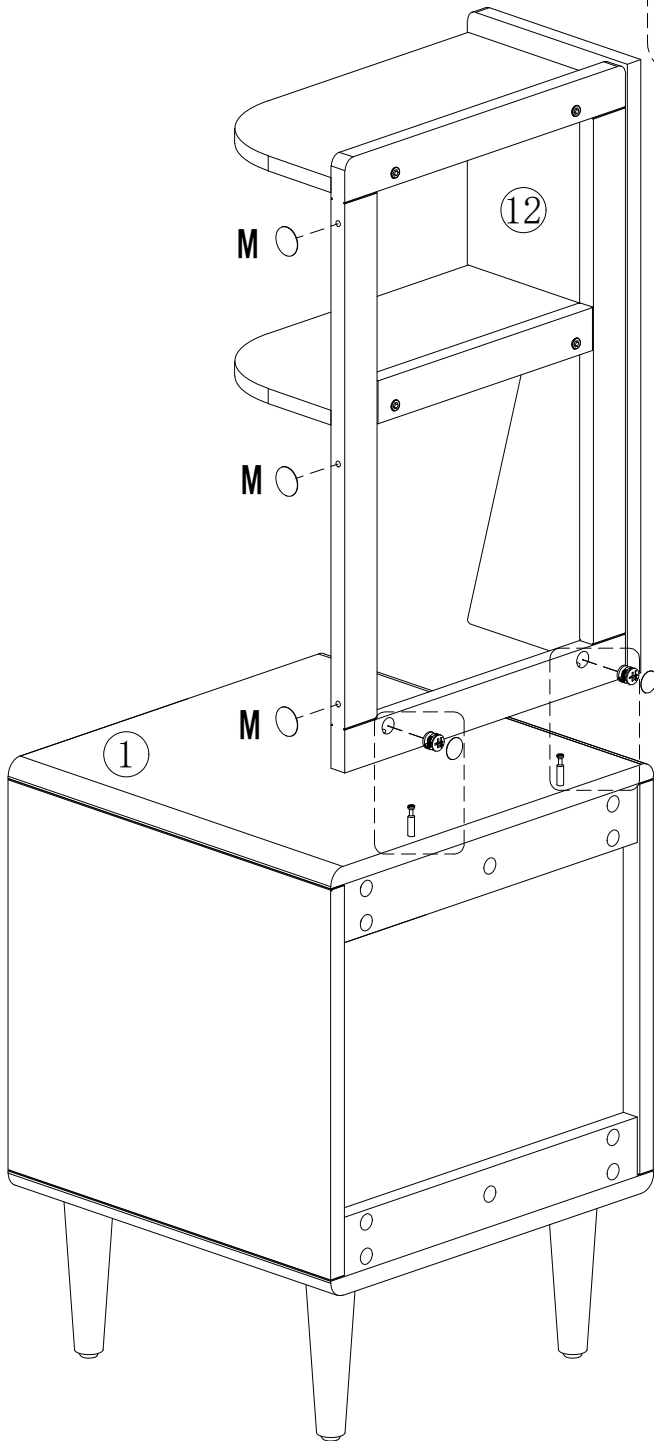
Please select the appropriate mounting method according to your needs:




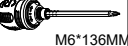
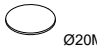

Installation Method One:



Installation Method Two:

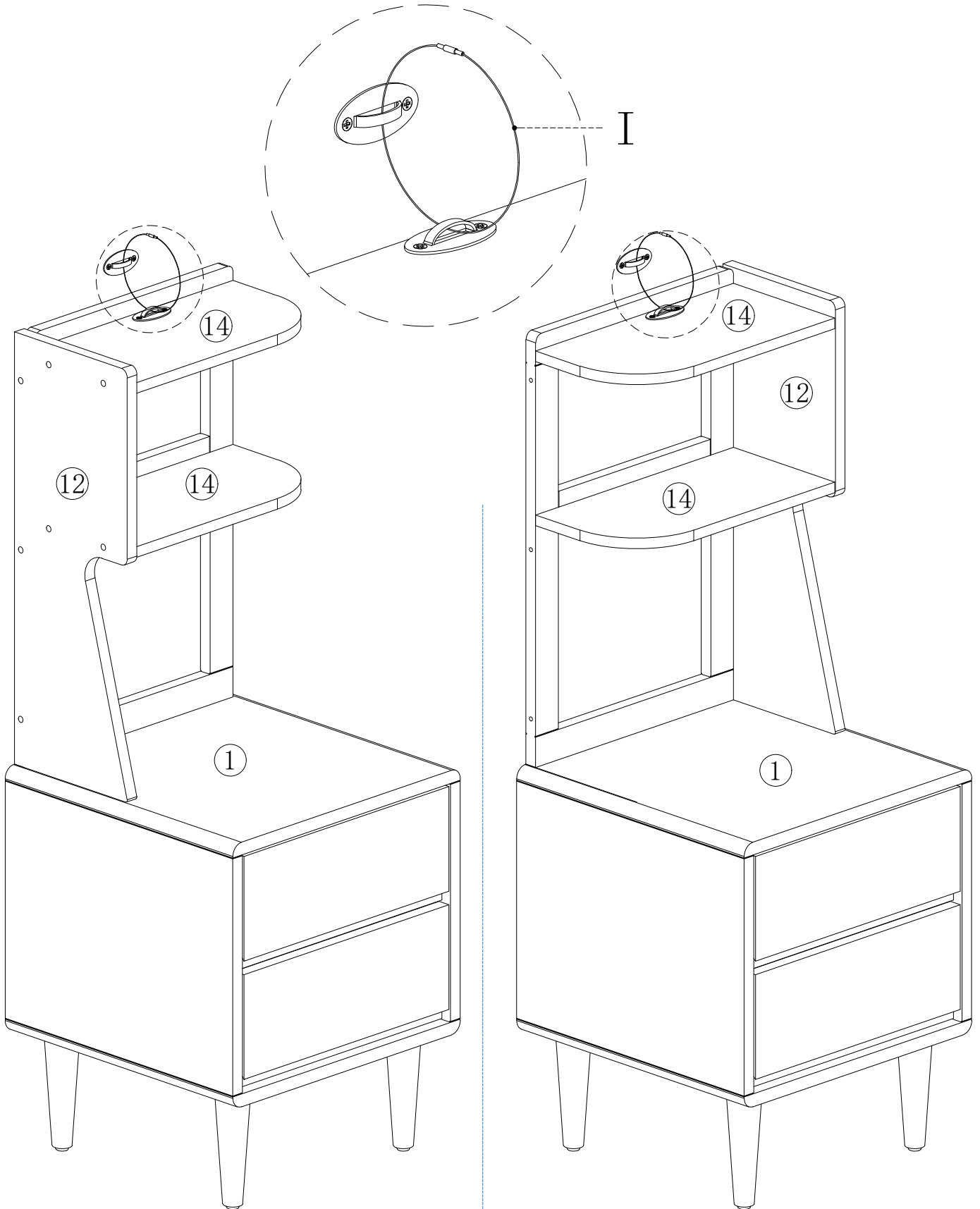


As shown, assemble the Step 16/Step 17 grouped parts with hardware B/G and cover with hardware H/M.

B		Ø15*9MM	2PCS
G		M6*136MM	1PC
H		Ø20MM	2PCS
M		Ø15MM	3PCS

# Specification name: two drawers nightstand



Step 19



Installation Method One:

Installation Method Two:

As shown, use hardware I to secure the Step18 grouped pieces to the wall.

G	 M6*136MM	1PC
I		1PCS