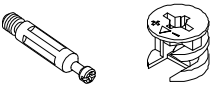
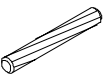


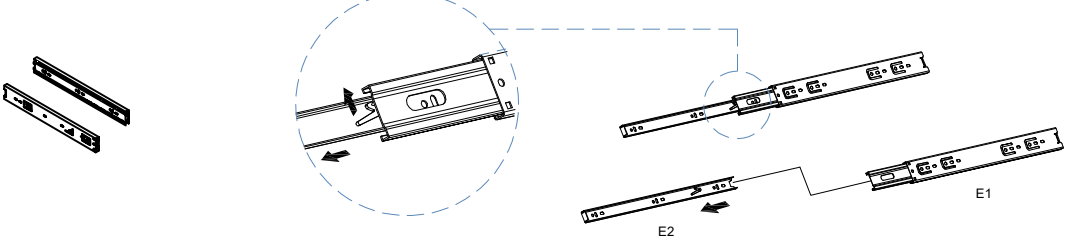
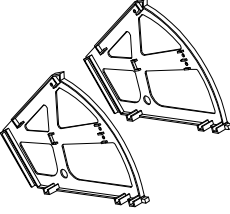
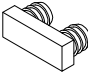



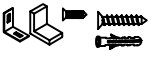

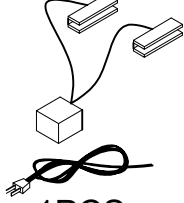



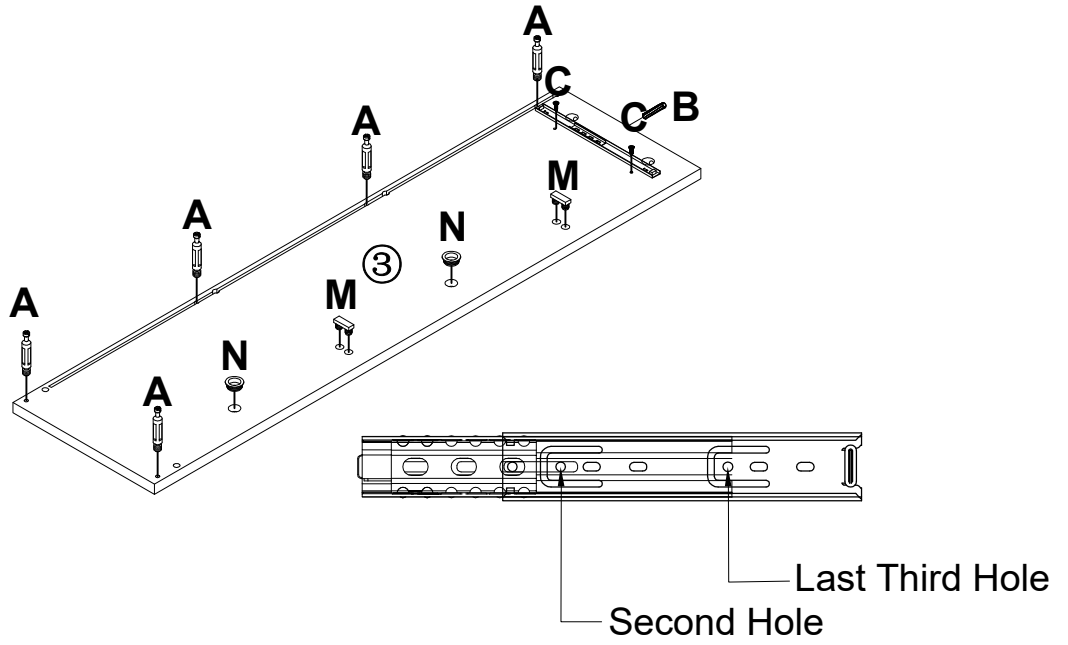
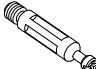


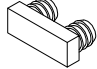


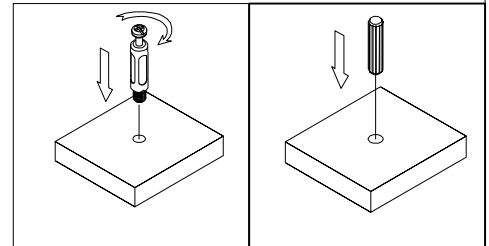


A  Ø5*40 26PCS	B  Ø8*40 12PCS	C  Ø3.5*14 30PCS	D  Ø3.5*35 4PCS
E  200MM 1PCS			
L  2PCS	M  4PCS	N  4PCS	O  4PCS
F  4PCS	H  2PCS	G  3PCS	J  1PCS
I  Ø3.5*18 12PCS	K  6PCS	P  Ø4*12 4PCS	

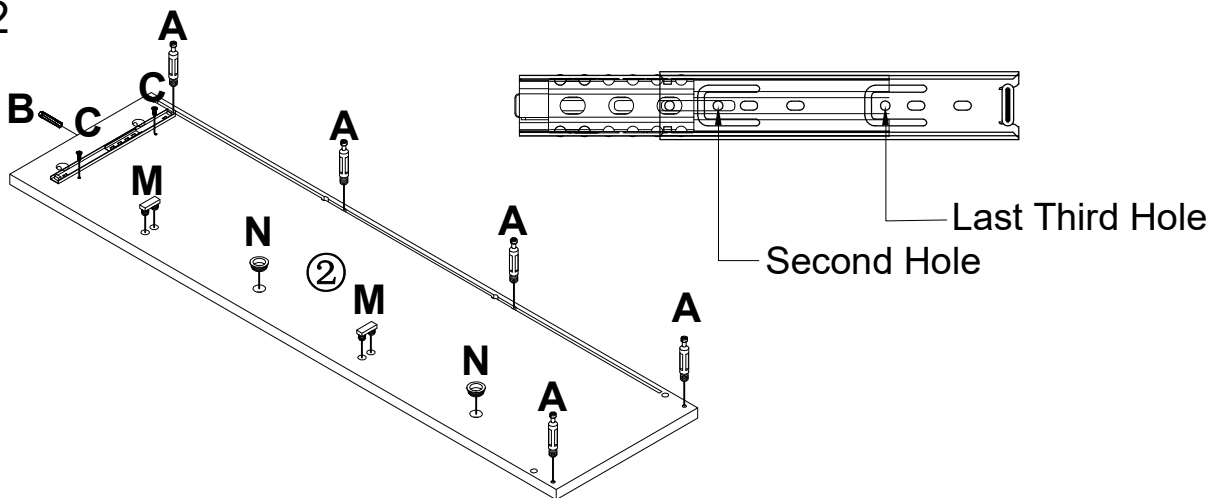
STEP1

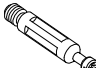


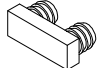




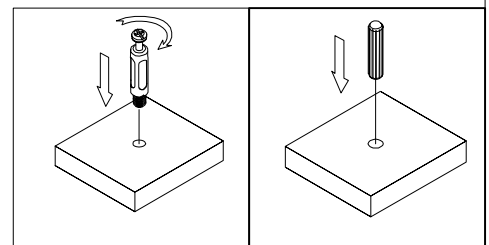
	Ax5PCS		Bx1PCS
	Cx2PCS		Mx2PCS
	E1x1PCS		Nx2PCS



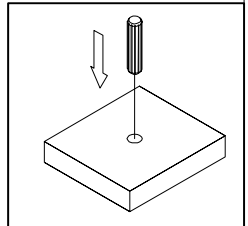
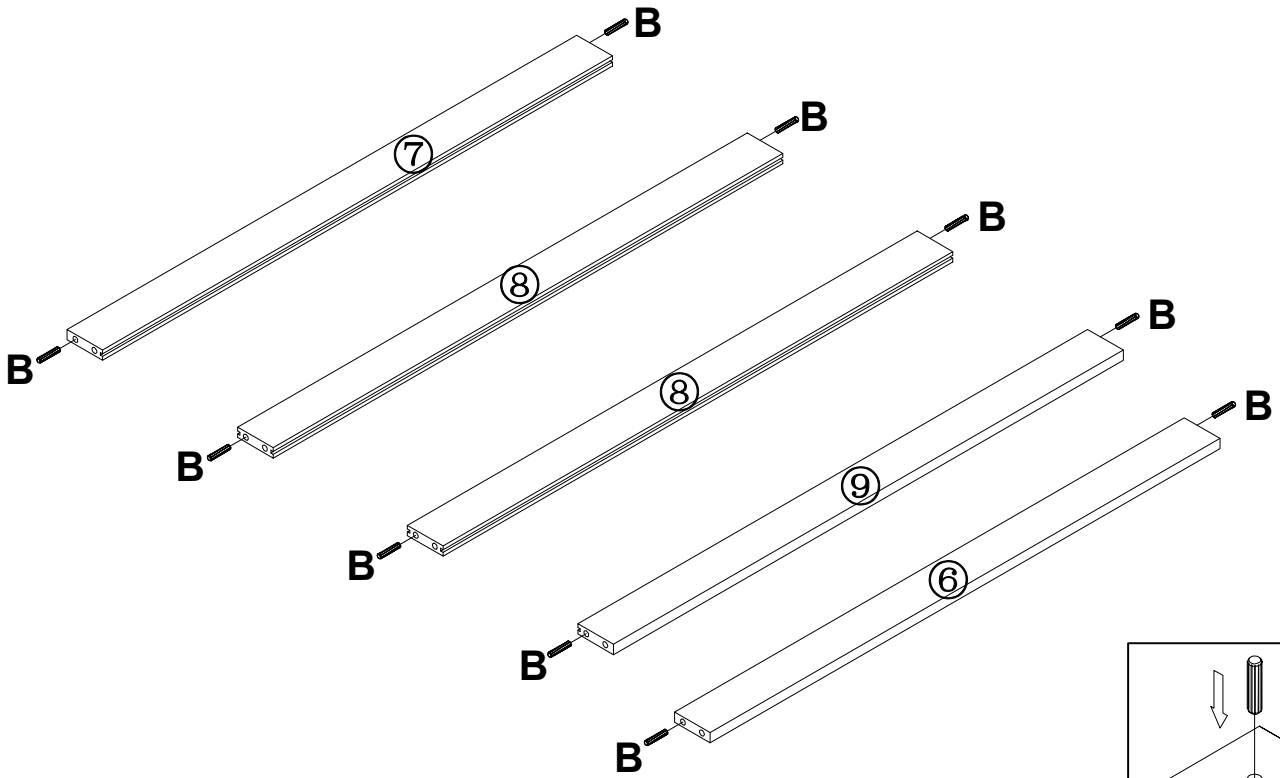
STEP2

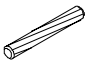


	Ax5PCS		Bx1PCS
	Cx2PCS		Mx2PCS
	E1x1PCS		Nx2PCS

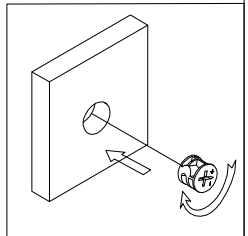
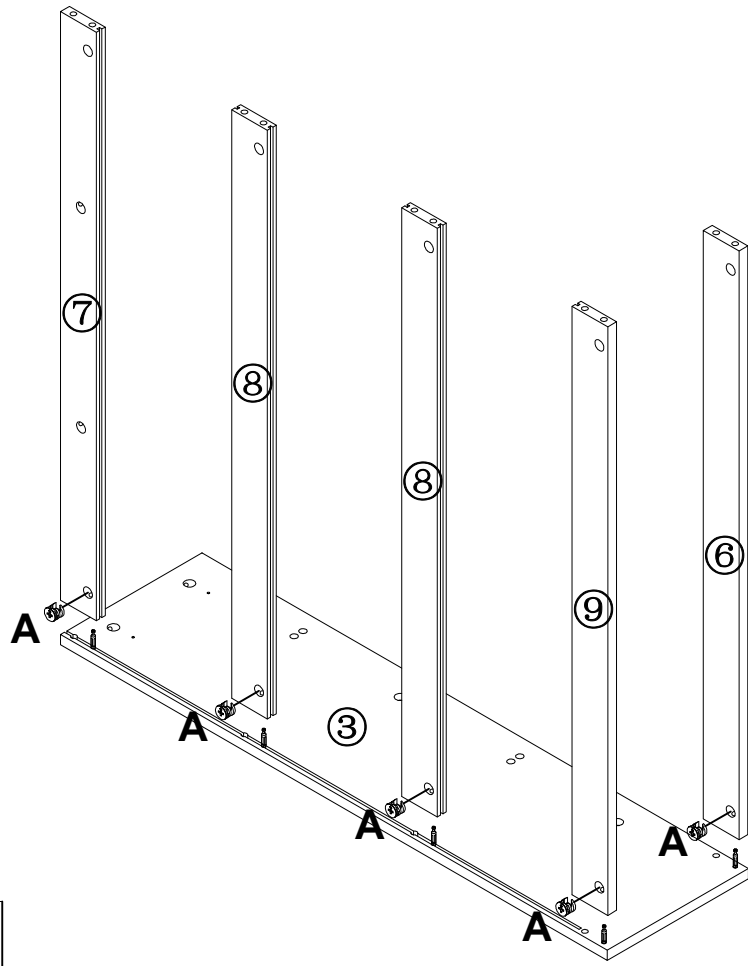



STEP3



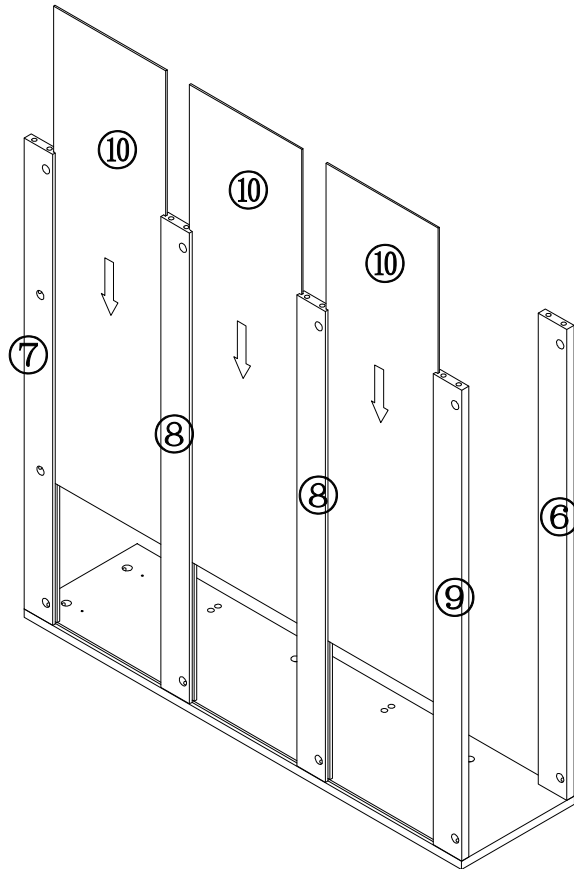
 Bx10PCS

STEP4

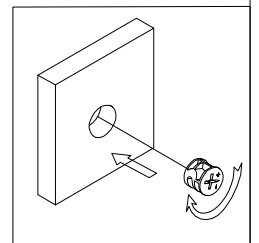
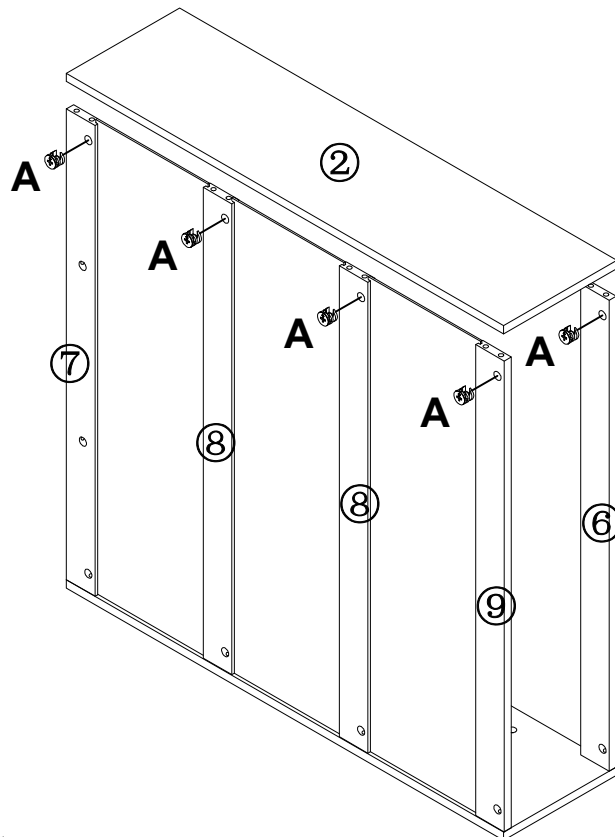


 Ax5PCS

STEP5

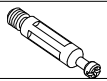
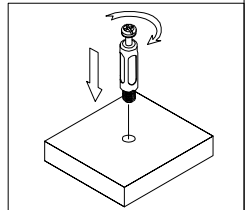
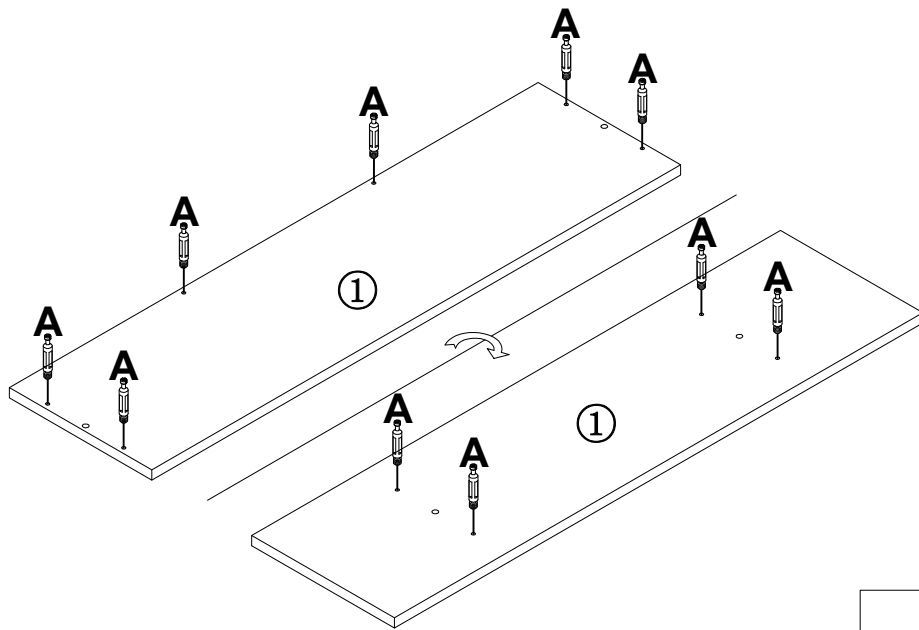


STEP6



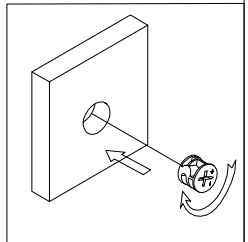
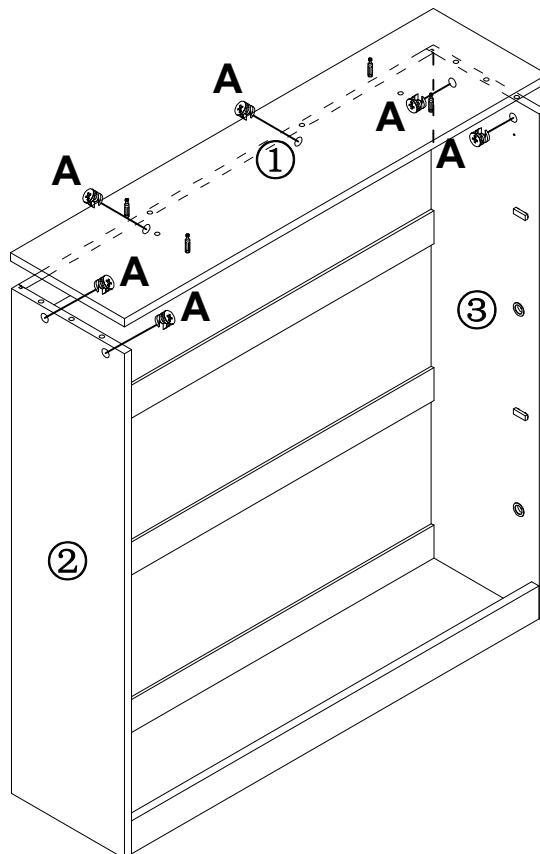
Ax5PCS

STEP7



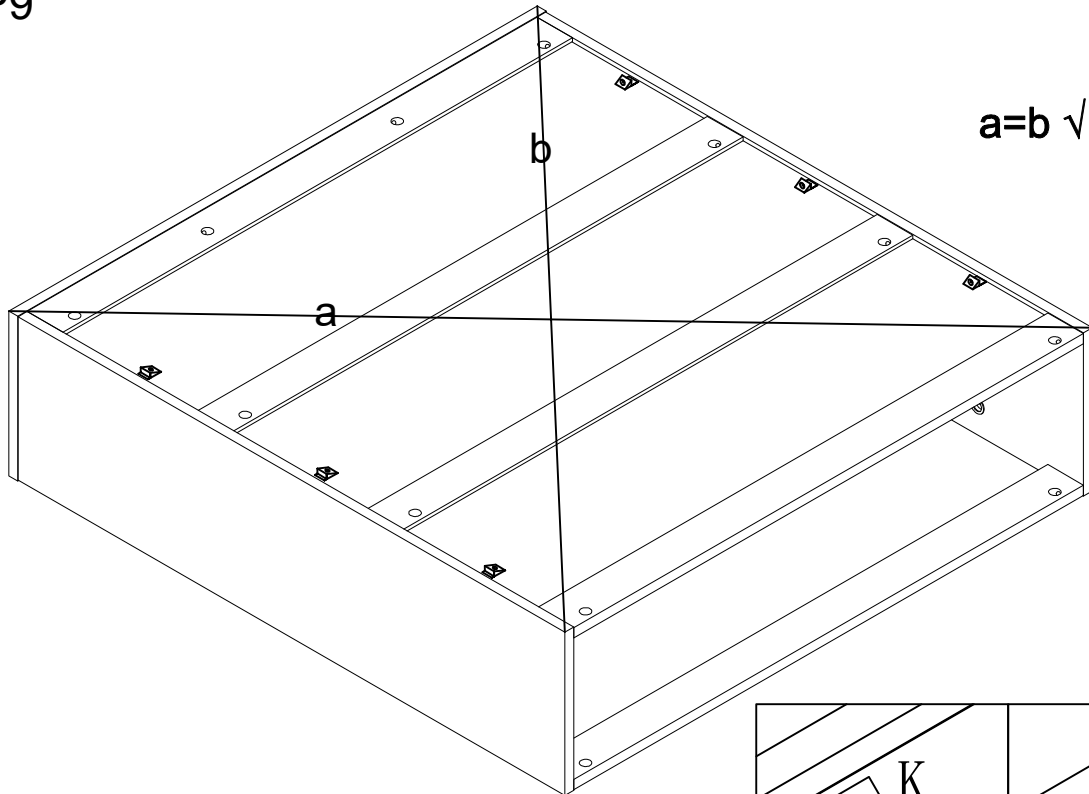
Ax10PCS



STEP8

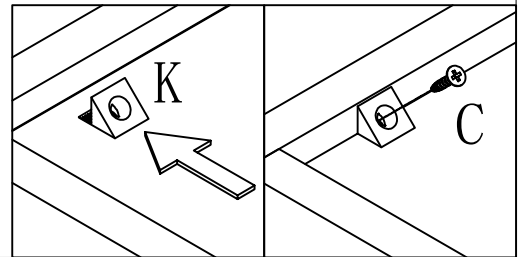


Ax6PCS

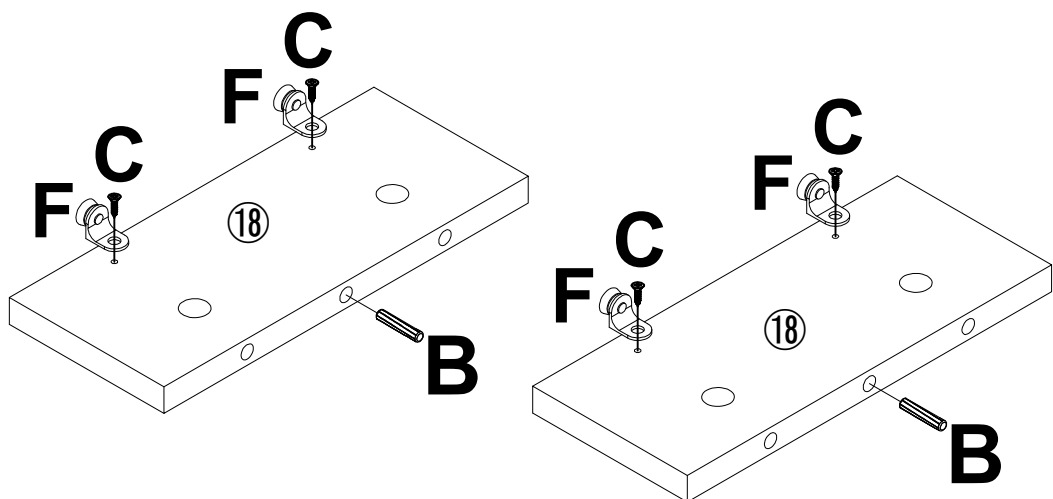
STEP9



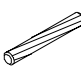


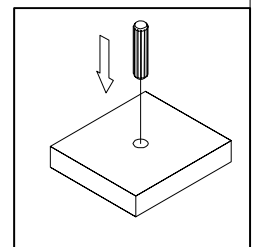
	Cx6PCS
	Kx6PCS



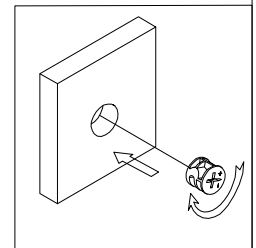
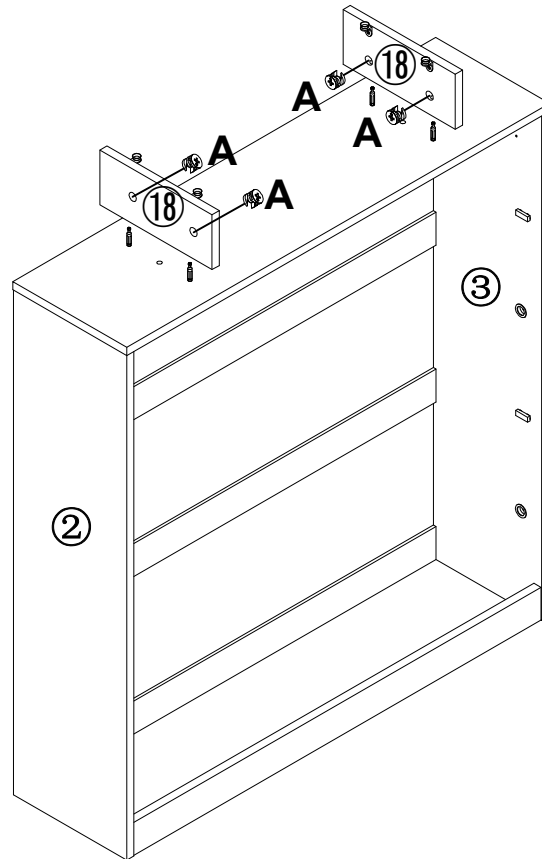
STEP10



	Cx4PCS
	Fx4PCS
	Bx2PCS

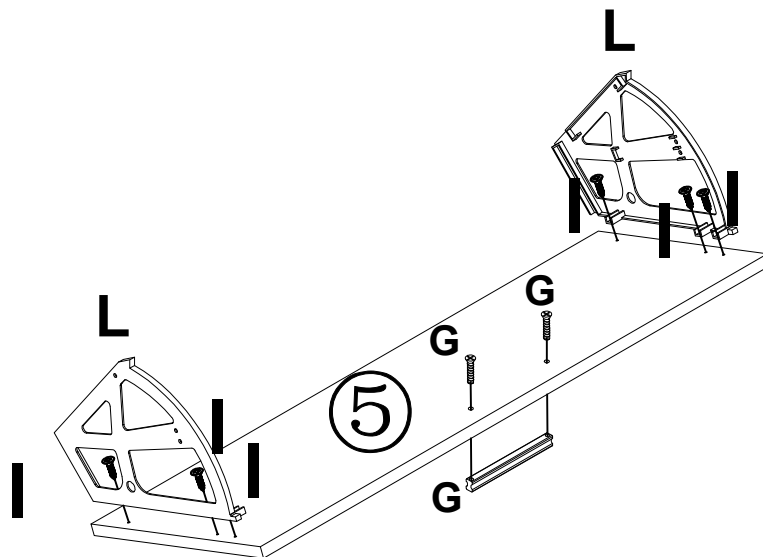


STEP11






	Ax4PCS
---	---------------

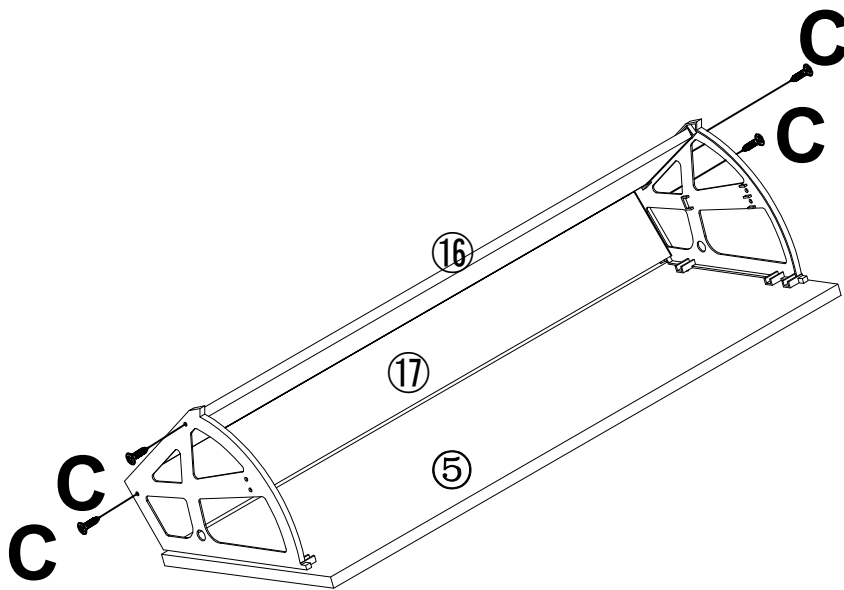
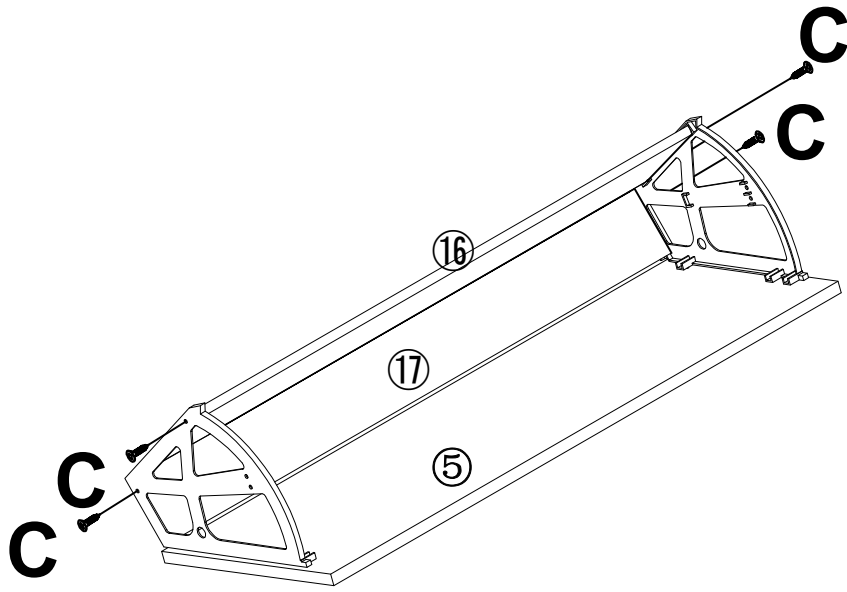
STEP12



X2

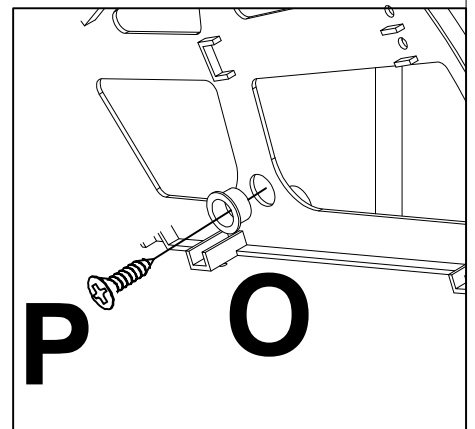
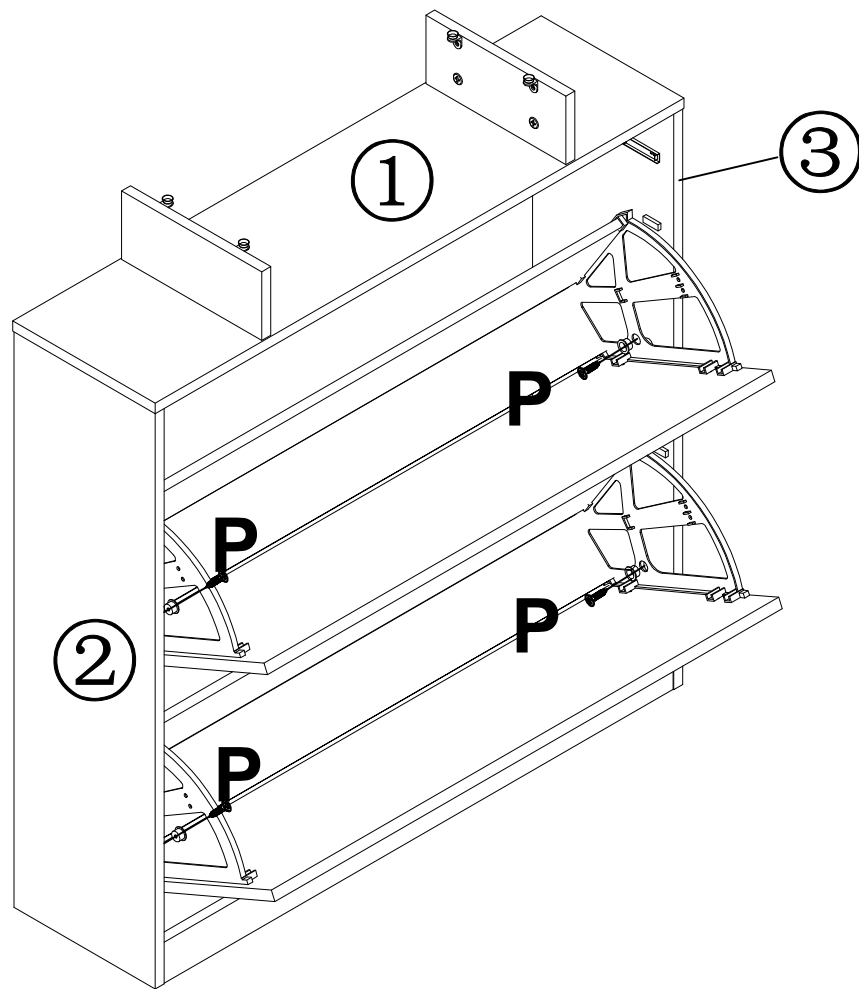
	Ix12PCS
	Lx2PCS
	Gx2PCS



STEP13



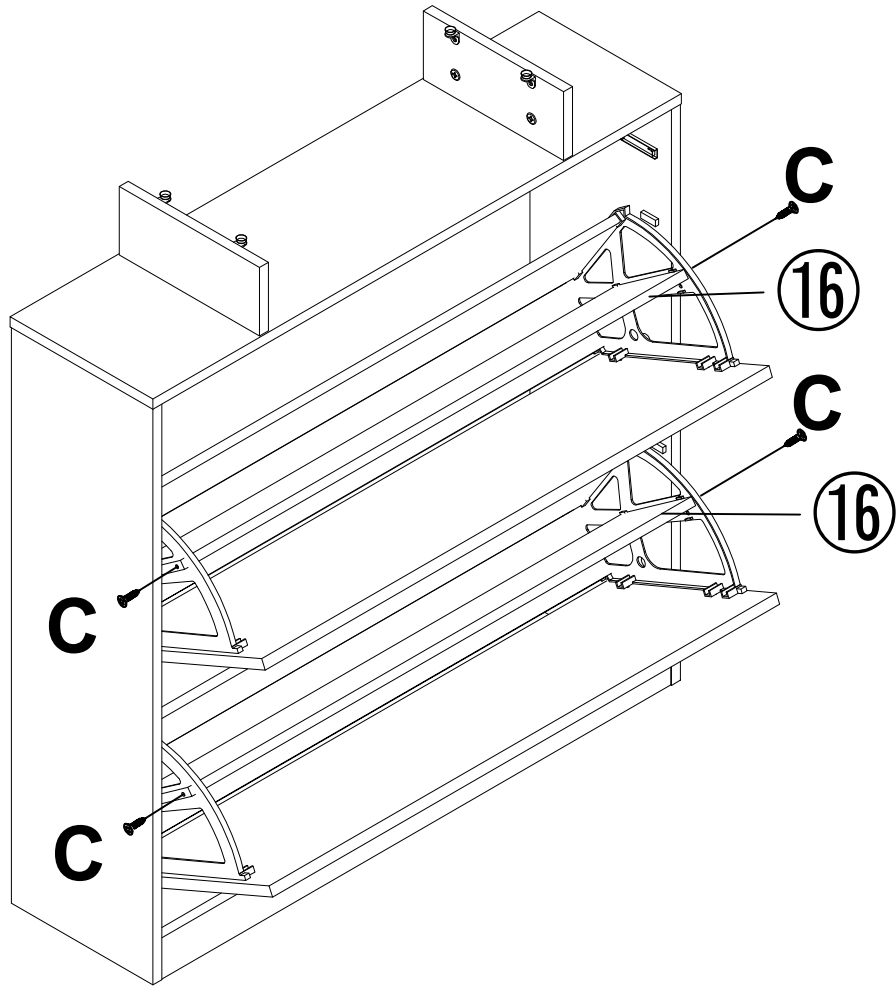
Cx8PCS

STEP14



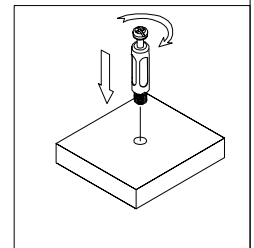
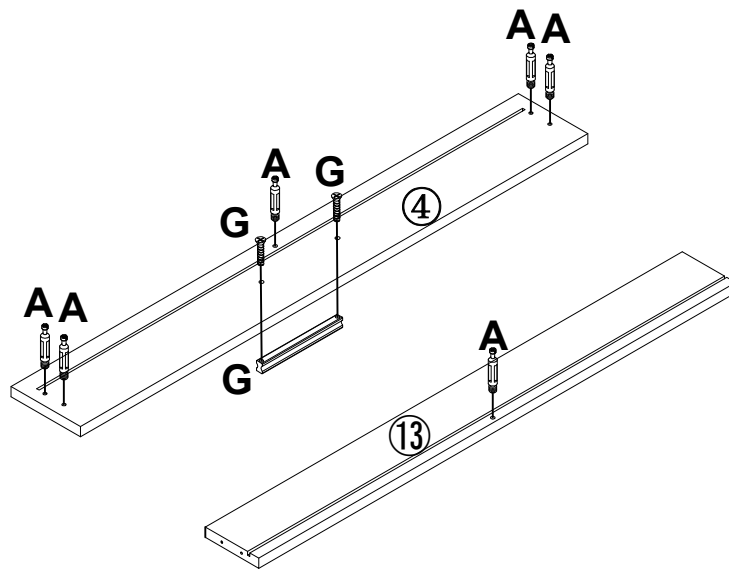
	Ox4PCS
	Px4PCS

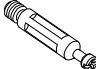

STEP15



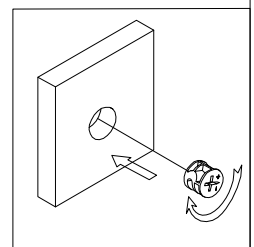
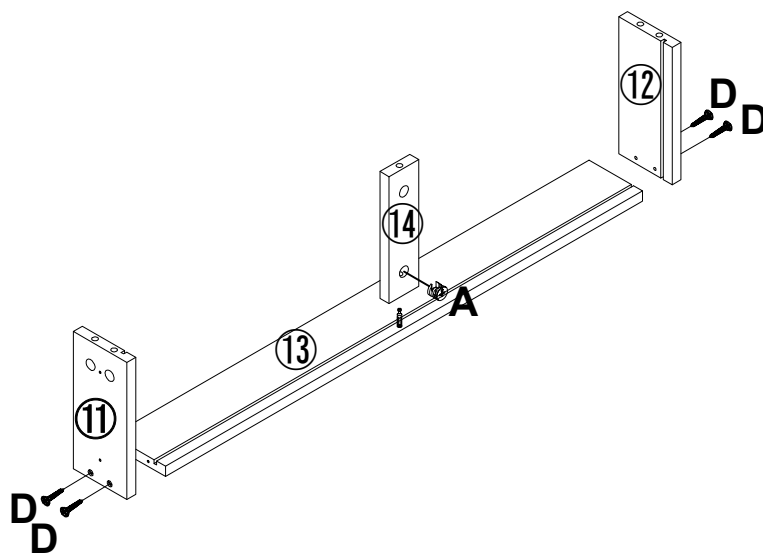
Cx4PCS



STEP16



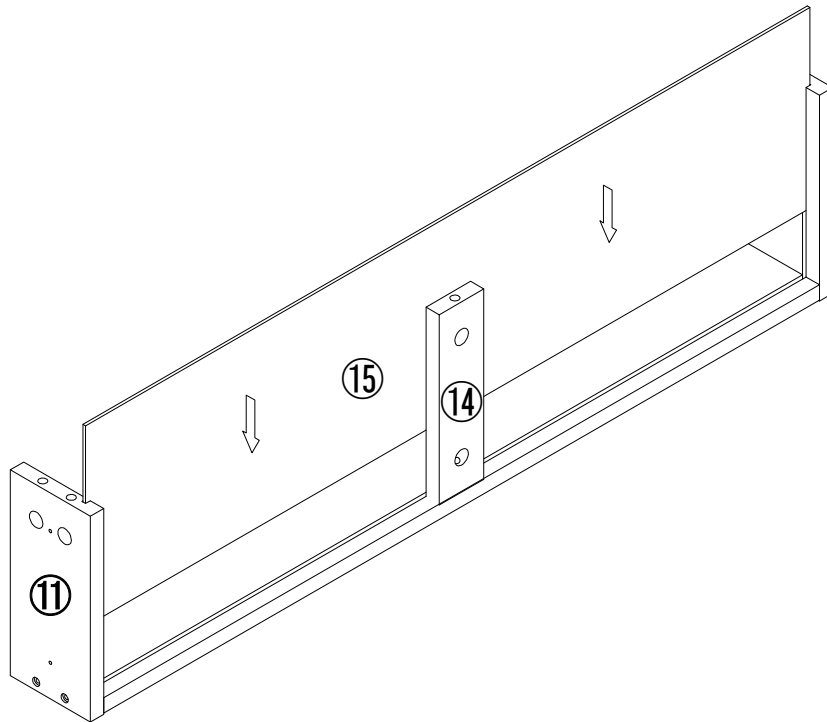
	Ax6PCS
	Gx1PCS

STEP17

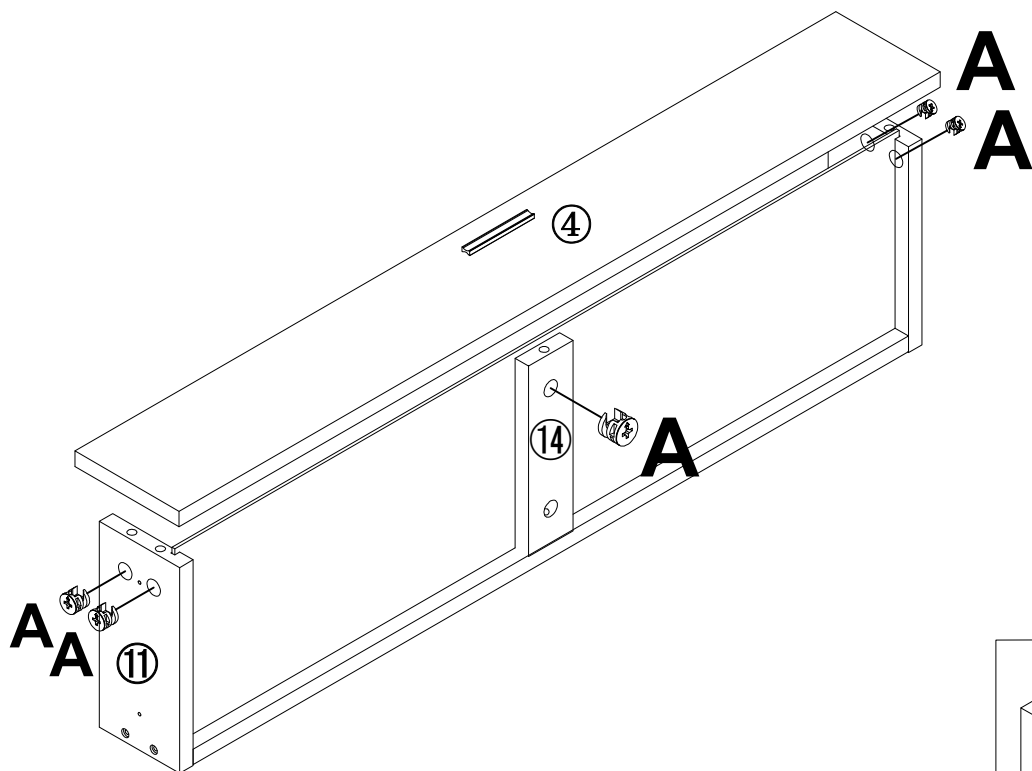


	Ax1PCS
	Dx4PCS

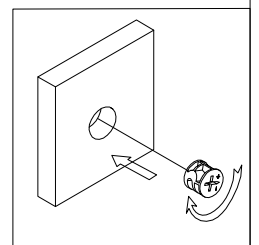
STEP18



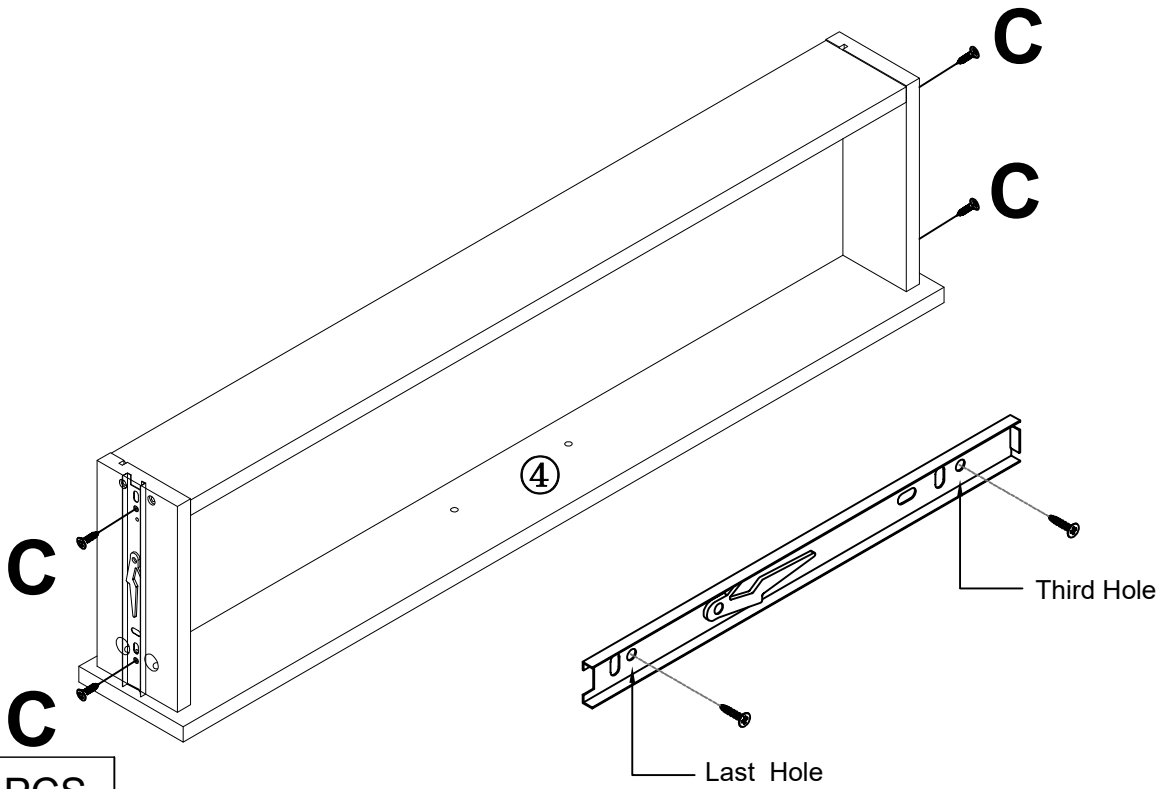
STEP19





Ax5PCS

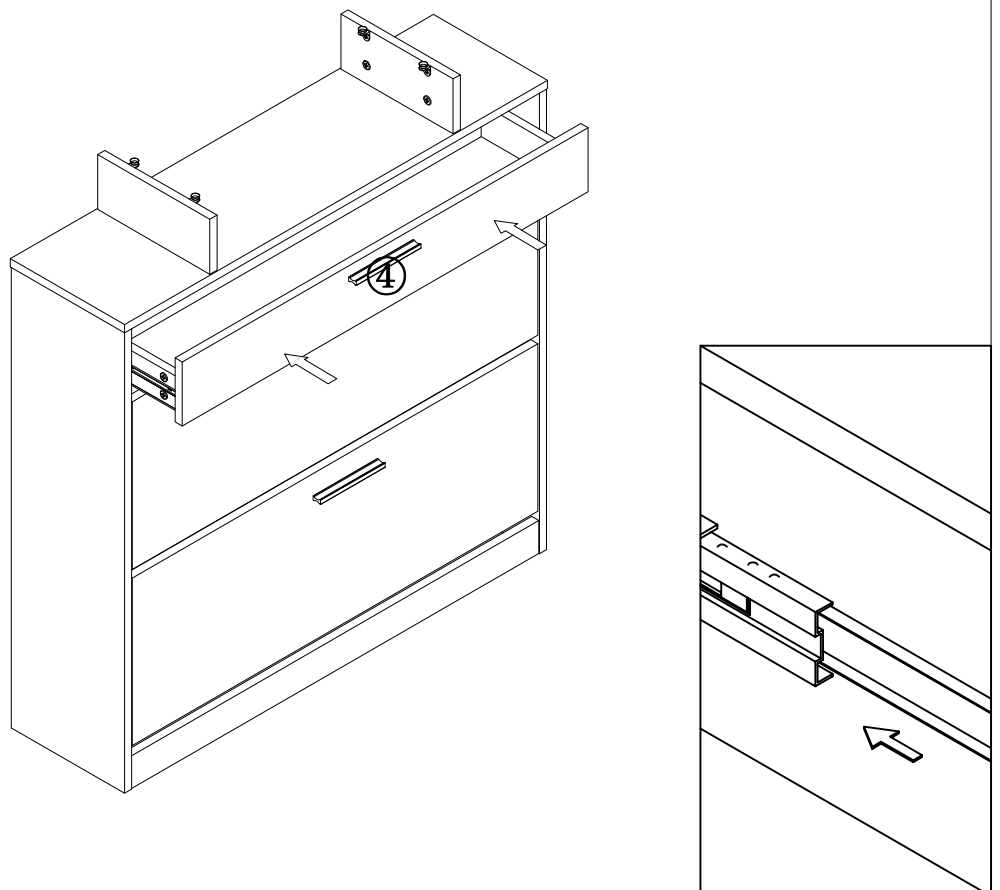


STEP20

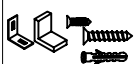
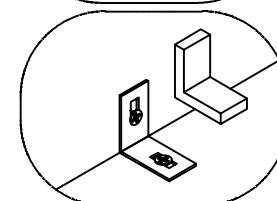
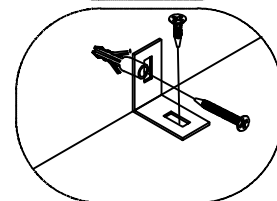
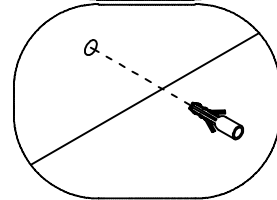
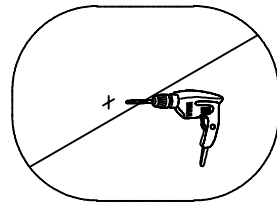
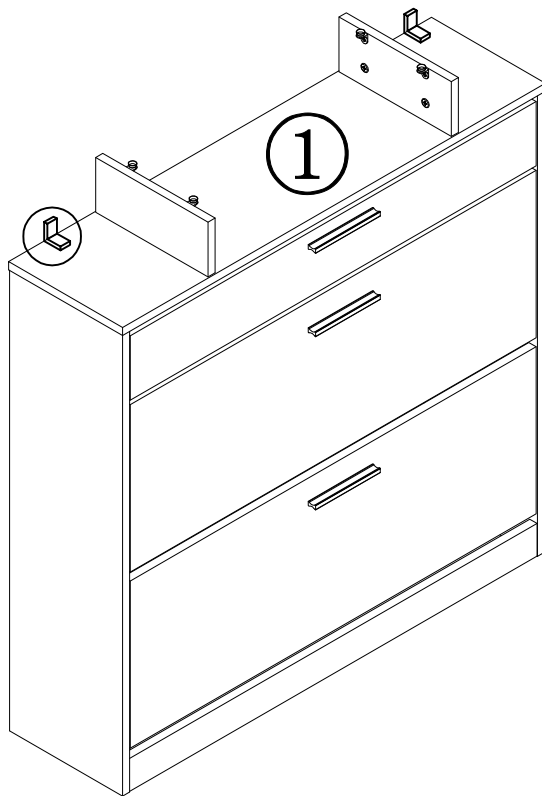


	Cx4PCS
	E2x2PCS

STEP21

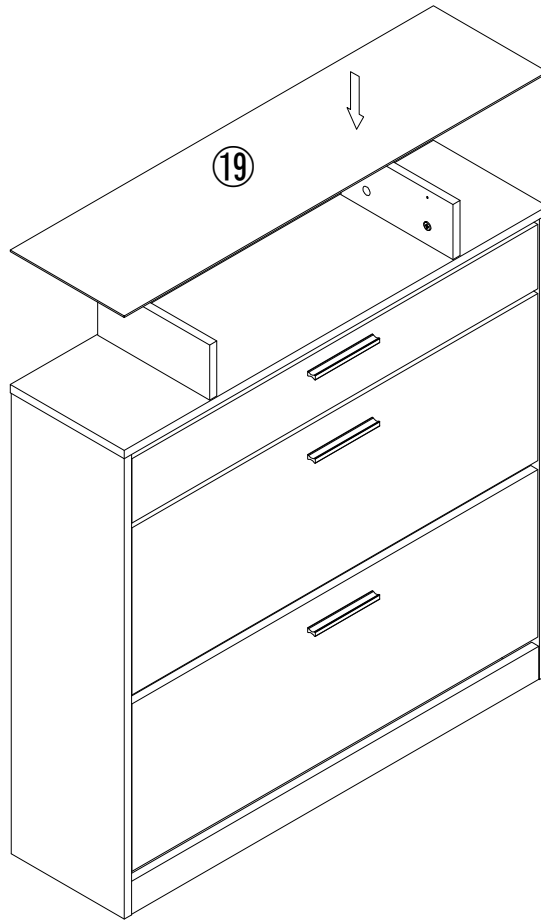


STEP22



Hx2PCS

STEP23



STEP24

