

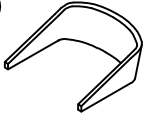
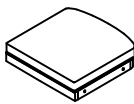




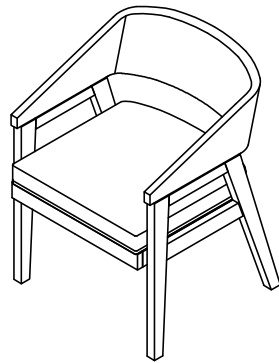
Assembly Instruction

Item No: DESC#2118







Description: Dining Chair Barrel (2/CTN Sold in pairs)

PARTS LIST:

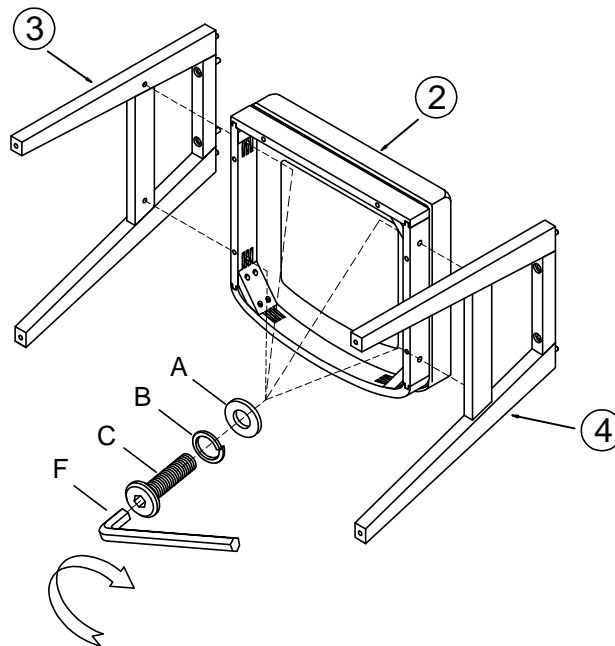
① 	② 	③ 	④ 
CHAIR BACK: 1PC	SEAT FRAME: 1PC	LEFT LEG: 1PC	RIGHT LEG: 1PC



⑤ HARDWARE LIST

NO.	DRAWING	DESCRIPTION	
A		Spring Washer $\phi 5/16"$	8Pcs
B		Flat Washer $\phi 5/16" \times 19 \times 2\text{mm}$	8Pcs
C		Bolt $\phi 5/16" \times 1-5/8"$	4Pcs
D		Bolt $\phi 5/16" \times 2"$	4Pcs
E		Allen Key 5mm	1Pc
F		Touch Pen	1Pc

STEP 1



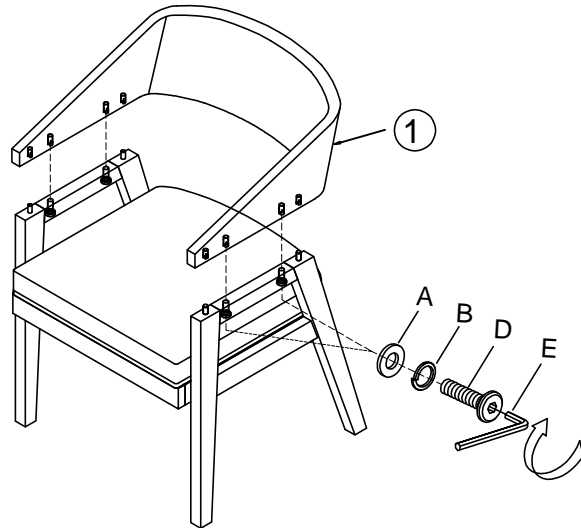


Assembly Instruction

Item No: DESC#2118

Description: Dining Chair Barrel (2/CTN Sold in pairs)

STEP 2



Complete

