









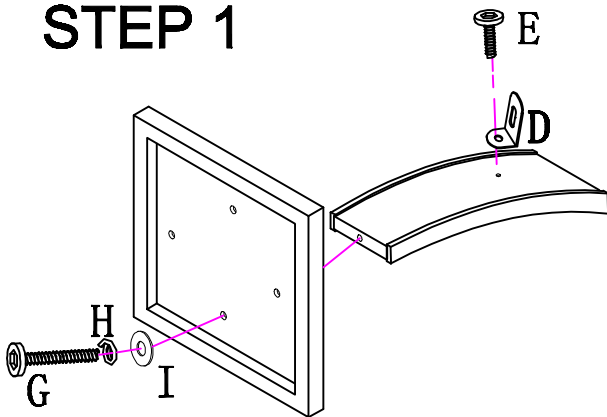


# ASSEMBLY INSTRUCTIONS

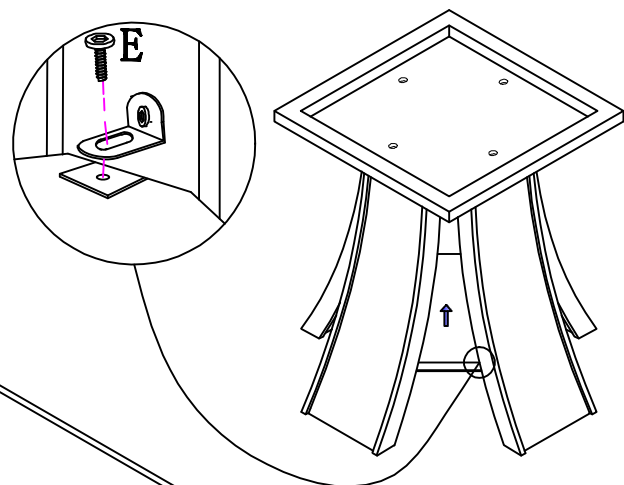
NO	DESCRIPTION	Q' TY
A		4PCS
B	 $\frac{1}{4}'' * 20\text{mm}$	4PCS
C	 $\frac{1}{4}''$	1PCS
D		4PCS
E	 $\phi 1/4'' * 1/2''$	8PCS
F		4PCS

NO	DESCRIPTION	Q' TY
G	 $\phi 5/16'' * 2''$	4PCS
H	 $\phi 5/16''$	4PCS
I	 $\phi 5/16'' * 22\text{mm}$	4PCS
J	 $\frac{5}{16}''$	1PCS

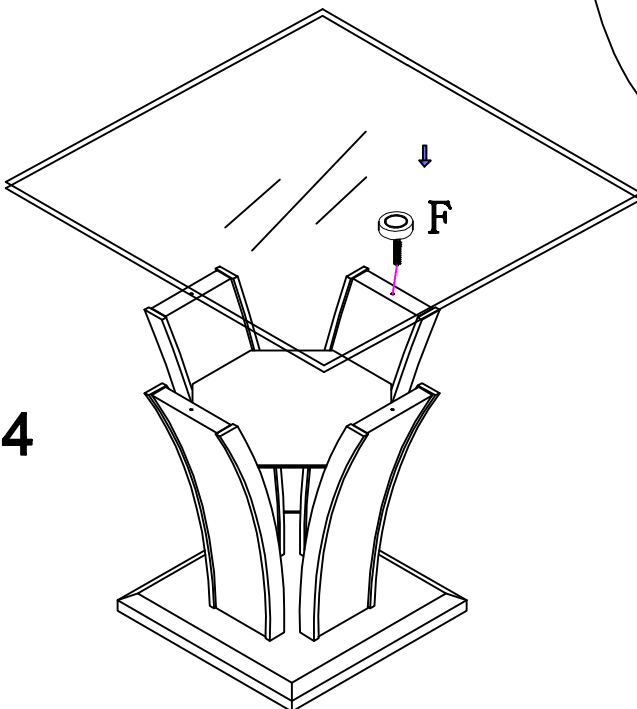
## STEP 1



## STEP 2



## STEP 4



## STEP 3

