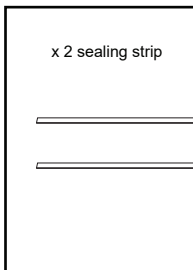
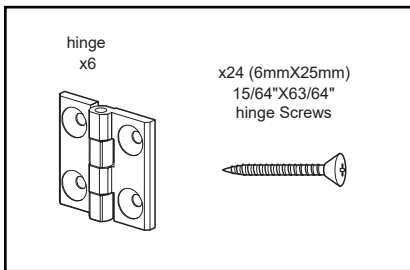
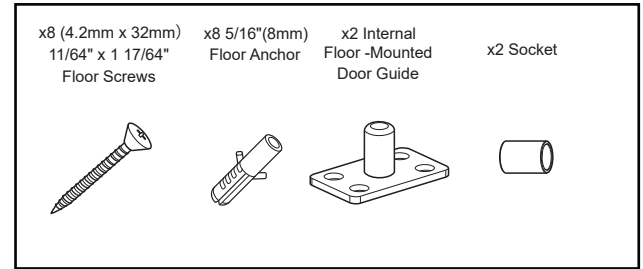
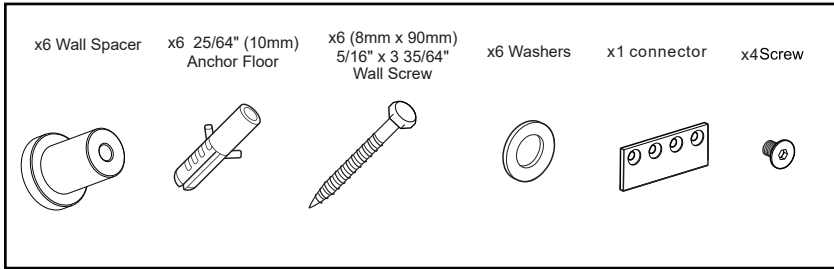
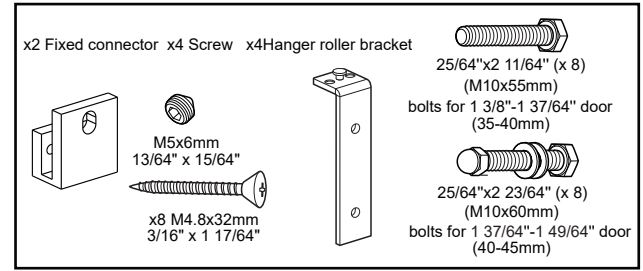
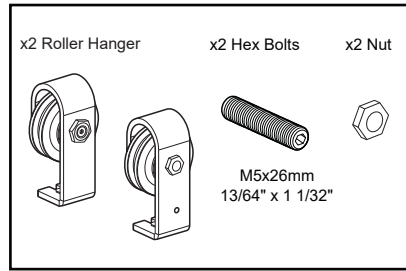
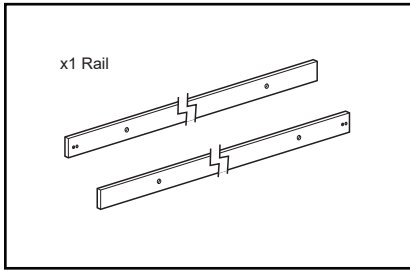


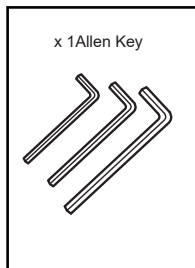
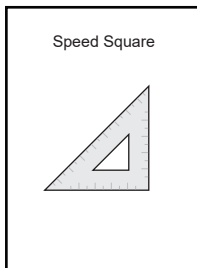
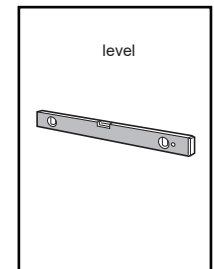
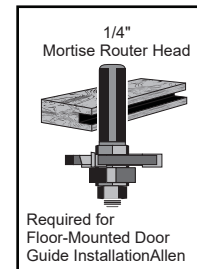
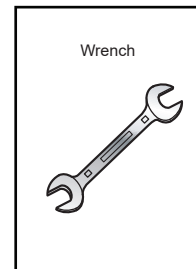
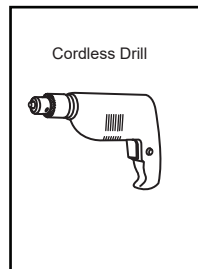
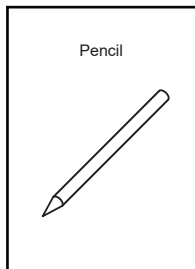
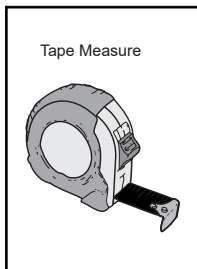
# BARNDOORHARDWAREKIT TSQ16BK-7FT INSTALLATION GUIDE

## Main Components



To provide feedback on a particular part, please mark it by circling in the instruction manual and kindly send us a photo.

## Tools Required



## IMPORTANT: BEFORE YOU BEGIN

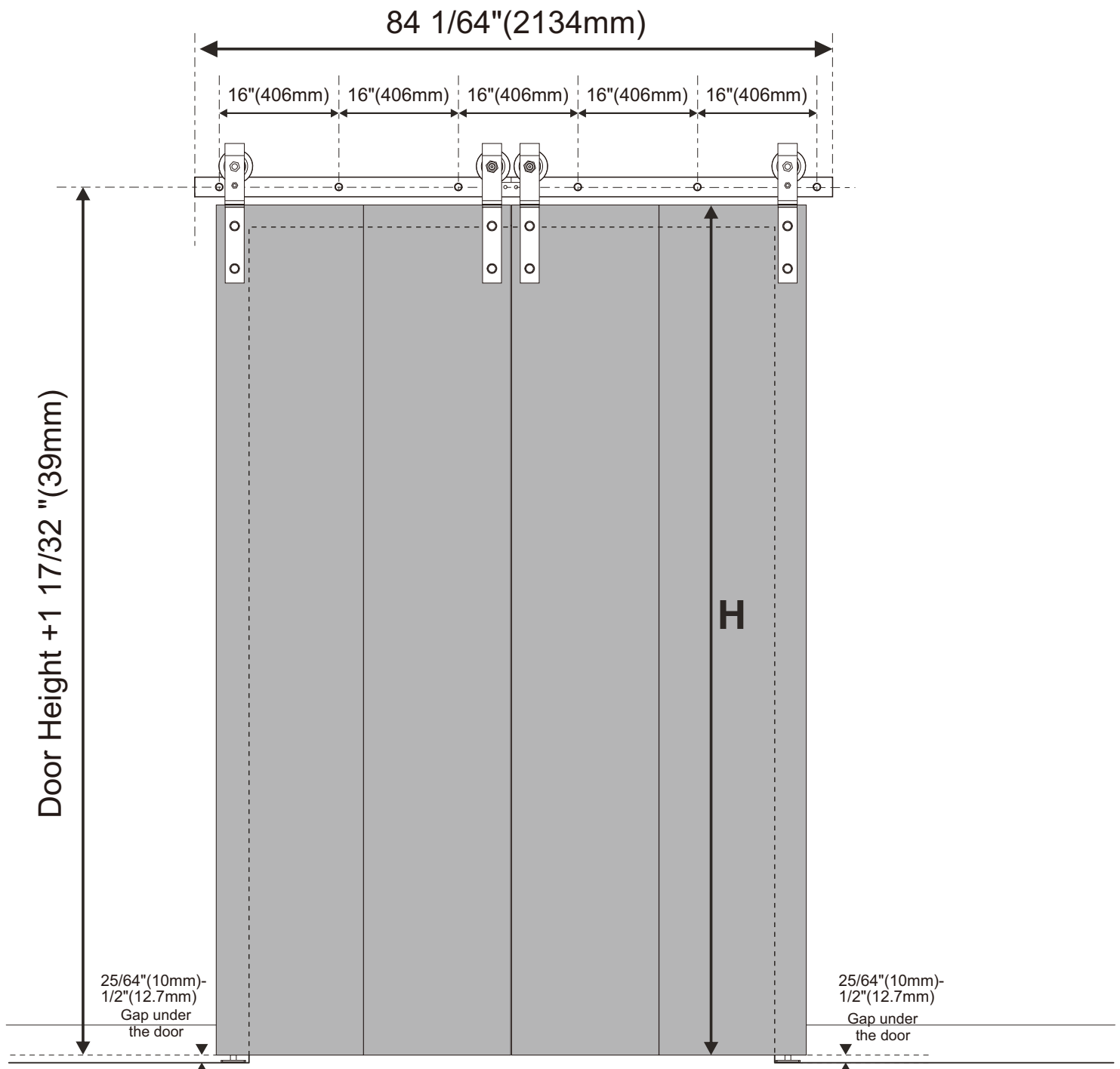
IF INSTALLING DIRECTLY INTO A NON-CONCRETE WALL, DO NOT ATTEMPT TO INSTALL THE RAIL SOLELY TO THE DRYWALL OR ANY WALL SURFACE AS THIS MAY NOT SUPPORT THE WEIGHT OF THE RAIL AND MOUNTED DOOR. THE RAIL MUST BE INSTALLED ONTO A PIECE OF SOLID WOOD BLOCKING (PACKAGE NOT INCLUDED) USING MOUNTING SCREWS ( PACKAGE NOT INCLUDED). ENSURE THE SOLID WOOD BLOCKING IS SECURED INTO THE STRUCTURAL SURFACE. USE A STUD FINDER WHERE NECESSARY TO LOCATE STUDS AND SECURE SAFELY. TYPICAL SOLID WOOD BLOCKING SHOULD BE 81 3/4" x 5 1/2" x 7/8".

NOTE, SEPARATE BOLTS ARE PROVIDED FOR 13/8" DOORS AND LONGER BOLTS PROVIDED FOR 13/4" DOORS. IF INSTALLING WITH THE INTERNAL FLOOR-MOUNTED DOOR GUIDE, THE DOOR MUST BE MORTISED 1/4" WIDE X 3/4" DEEP CENTRALLY.

Fit door panel width:  $9 \frac{27}{32}$ " ~  $11 \frac{13}{16}$ "

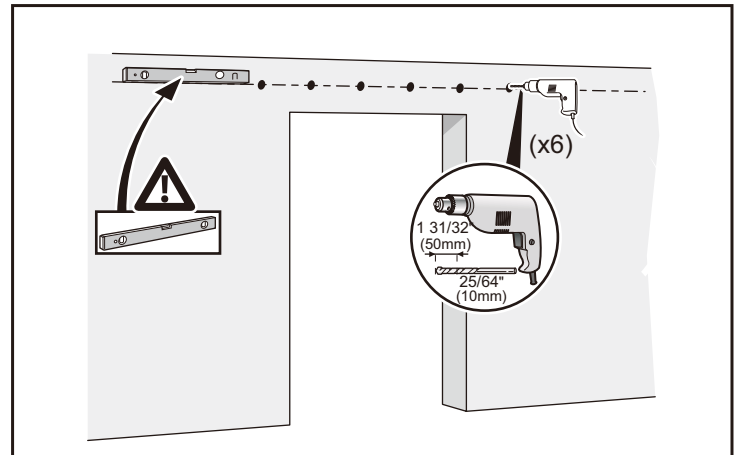
**Step 1. CONCRETE Wall Preparation1**

Position the rail by measuring up from the door height (H) +  $1 \frac{17}{32}$ " to the centre of the track. Also ensure a gap of  $\frac{25}{64}$ " -  $\frac{1}{2}$ " at the bottom. Ensure the rail is level and leave a minimum of 2" from the end of the rail to the side of the opening.



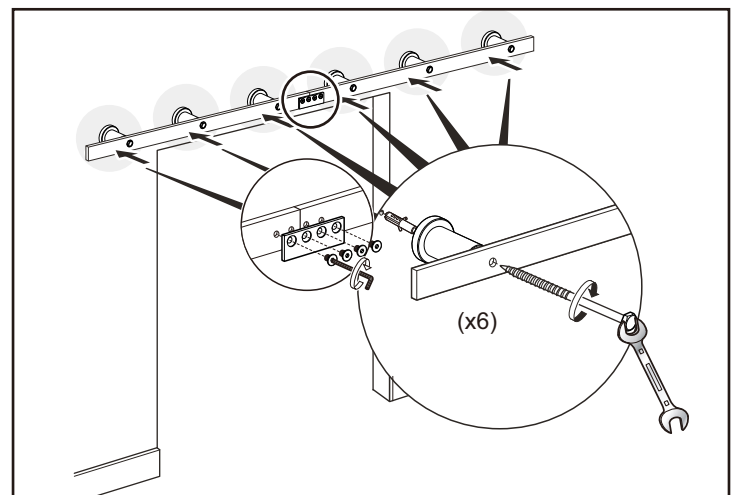
### Step 2. CONCRETE Wall Preparation2

Position the rail in place ensuring that it is level, mark the holes on the rail using a pencil and pre-drill 3/8" holes into the concrete.



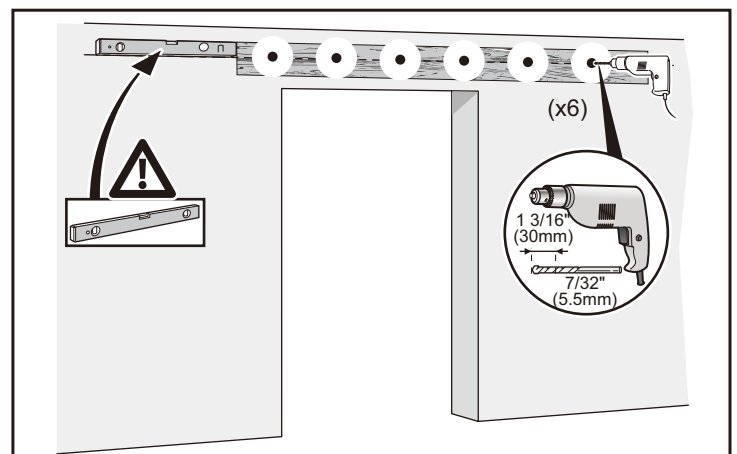
### Step 3. CONCRETE Rail Installation

When installing directly into concrete, align the spacers to holes, insert using the provided anchors and hex bolts (with washers). Ensure to un-screw to separate the hex bolt and anchor to install correctly, securing with a wrench.



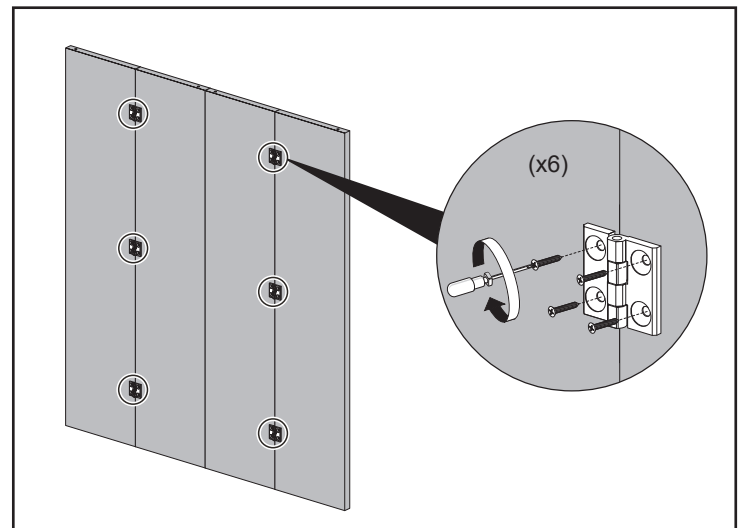
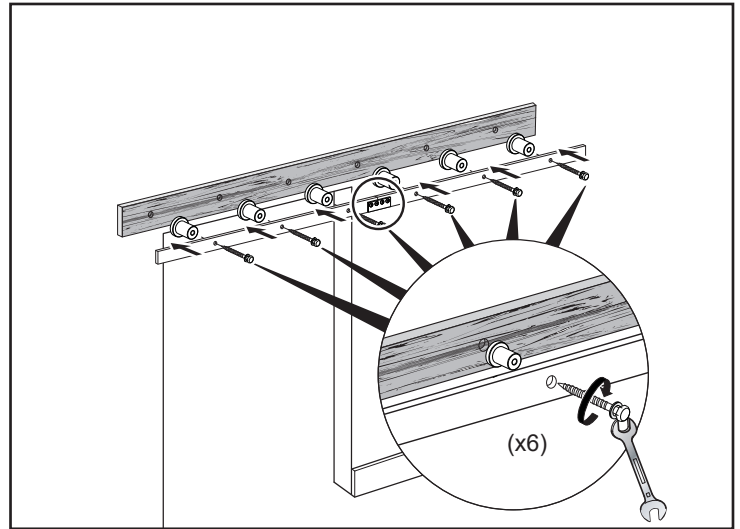
### Step 4. DRYWALL Wall Preparation

Position the rail on top of the wood blocking ensuring levelness, mark the holes using a pencil and pre-drill 3/16" holes into the wood blocking.



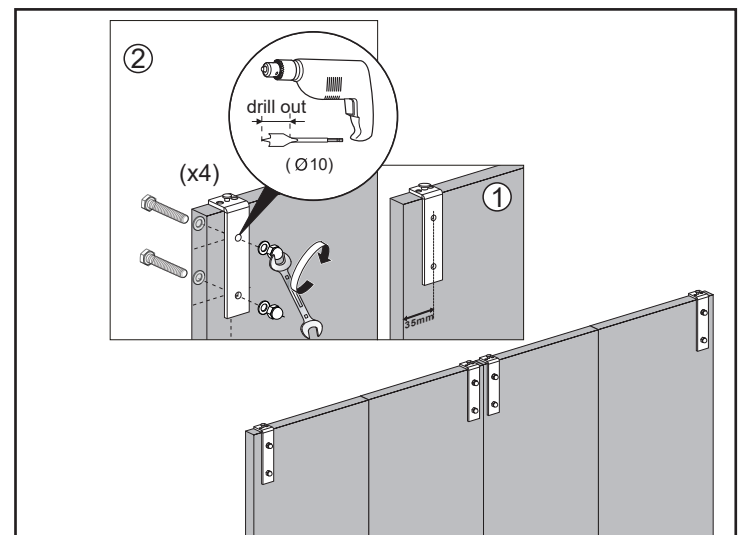
### Step 5. DRYWALL Rail Installation

When installing into the solid wood block and wall, insert using the provided wall screws. Align each spacer to the rail holes, inserting screws (with washers), securing with a wrench.



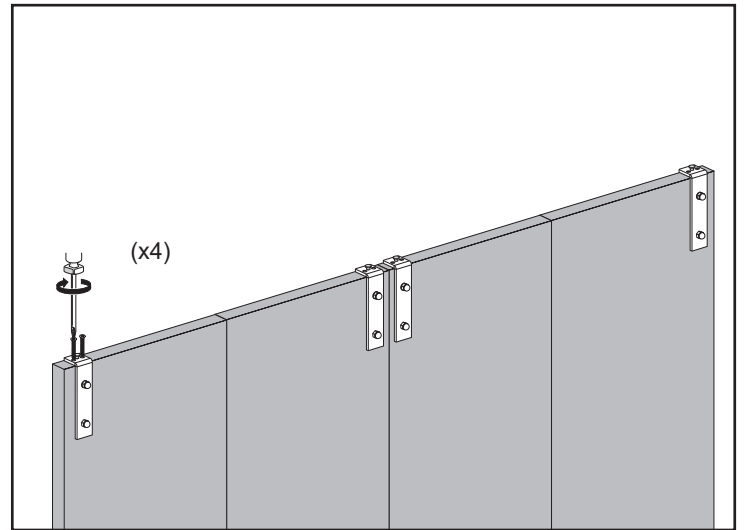
### Step 6. Install Side Bracket

First, drill 10MM holes in the door and then fix the bracket to the door with screws



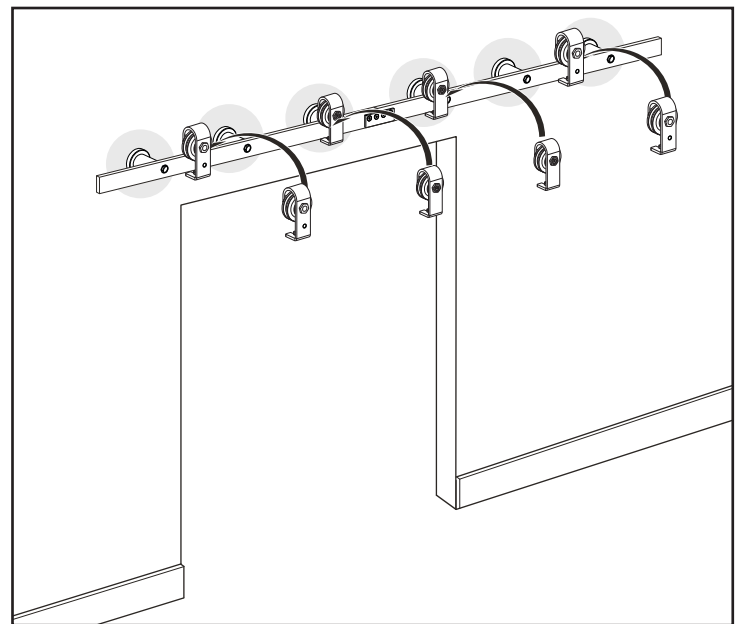
### Step 7. Fixing Bracket Top Screw

Install the hanger roller bracket on the reserved hole of the top of door by 3/16" x 1 17/64 screw.



### Step 8. Hanging the rollers

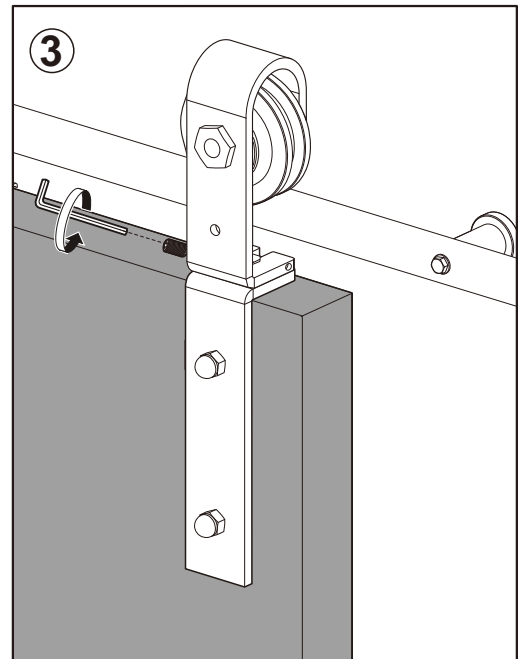
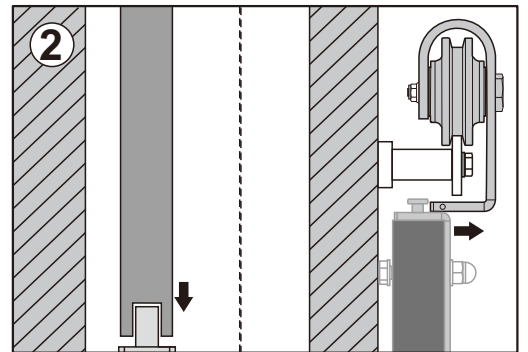
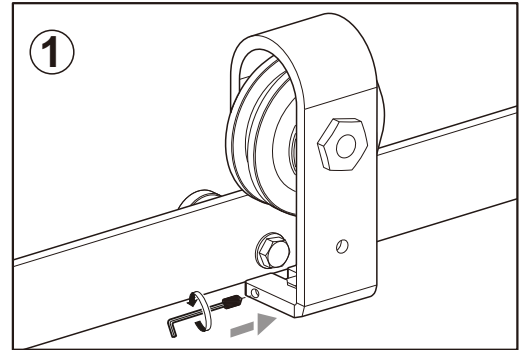
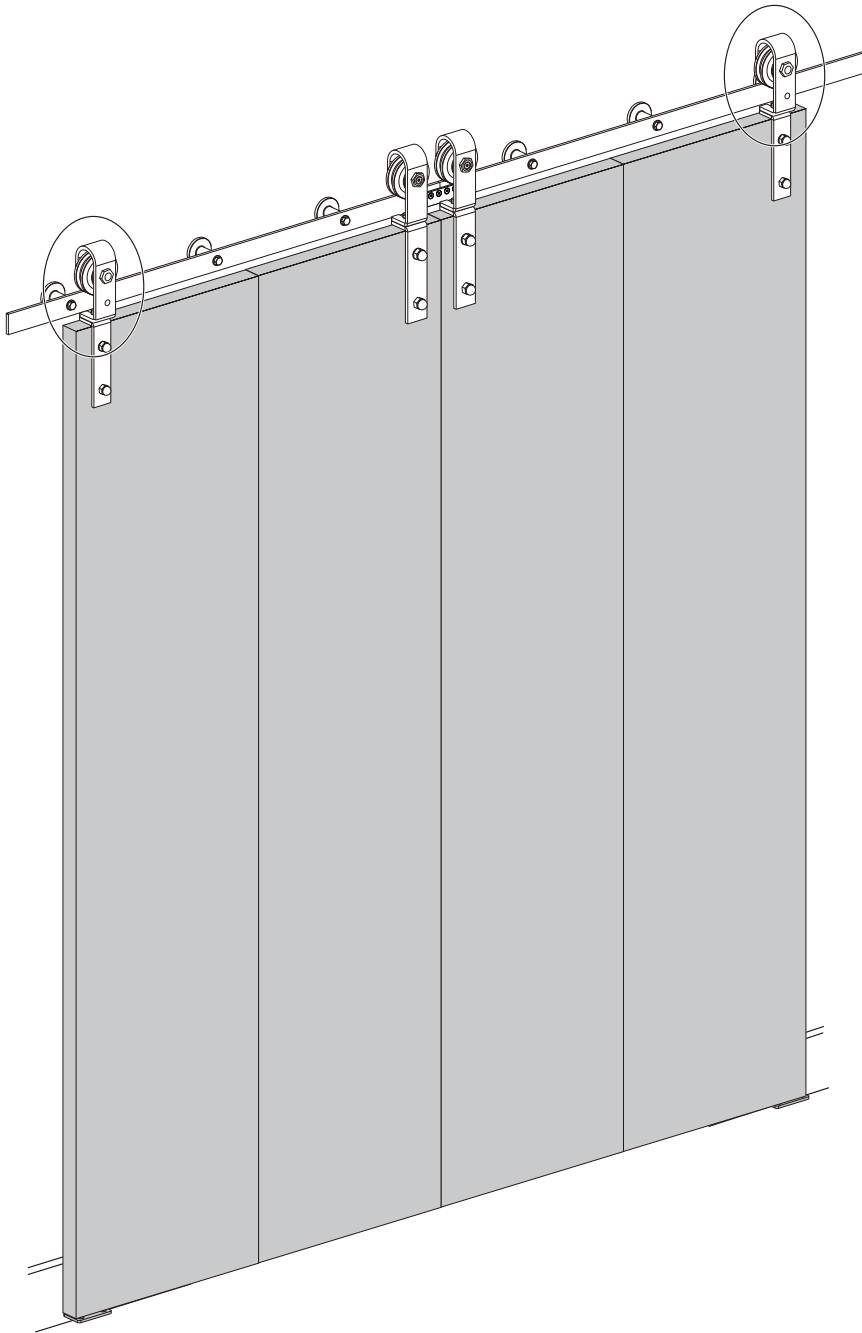
Put the 4 rollers on the rail





**Step 10. Install hanger roller 1**

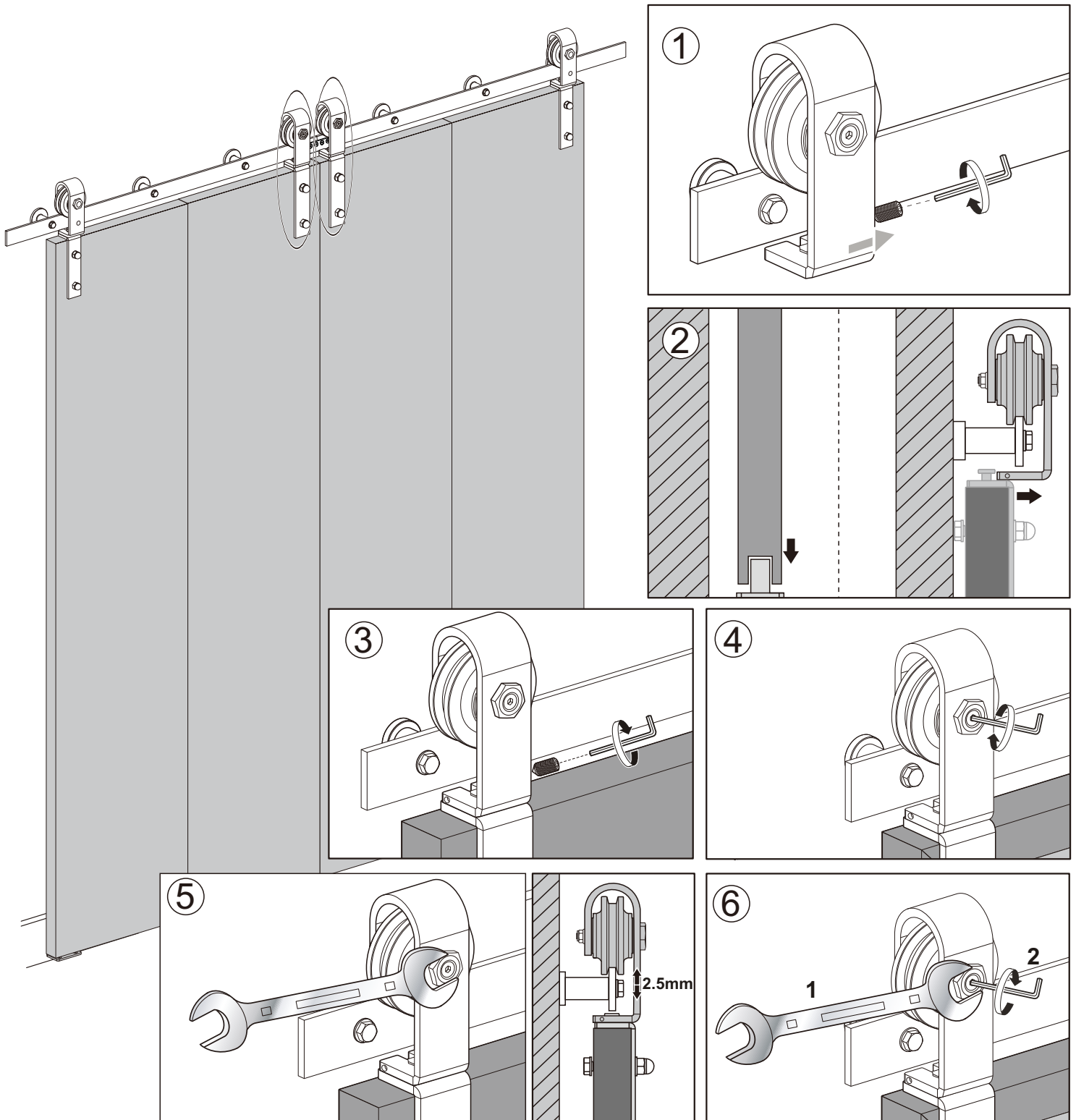
Unscrew the screw, adjust the position of the door and the floor guide, then push in the hanger roller slot, and fix it with screw.



### Step 11. Install hanger roller 2

Unscrew the screw, adjust the position of the door and the floor guide then push in the hanger roller card slot, fix it with screws.

Using a wrench to adjust the height of the hanger roller to a suitable position, and tighten it.

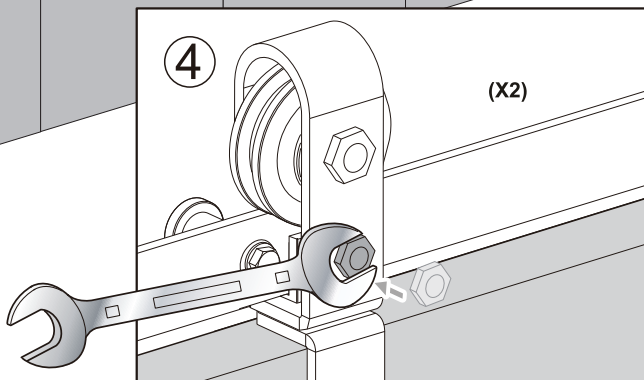
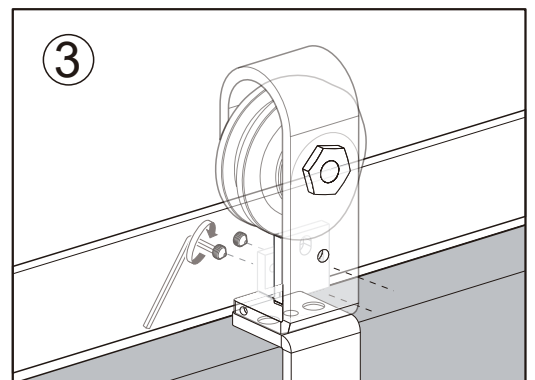
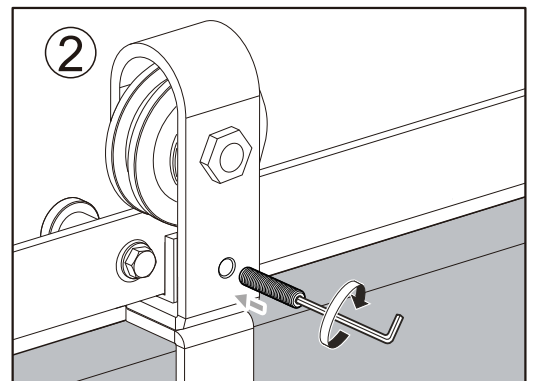
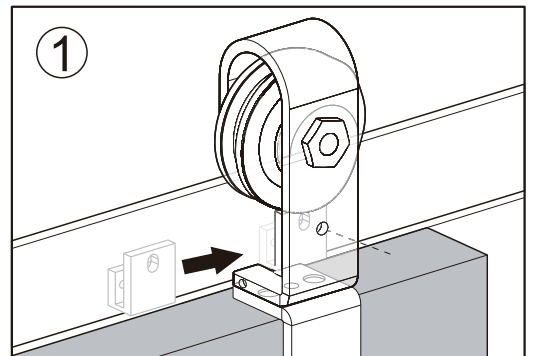
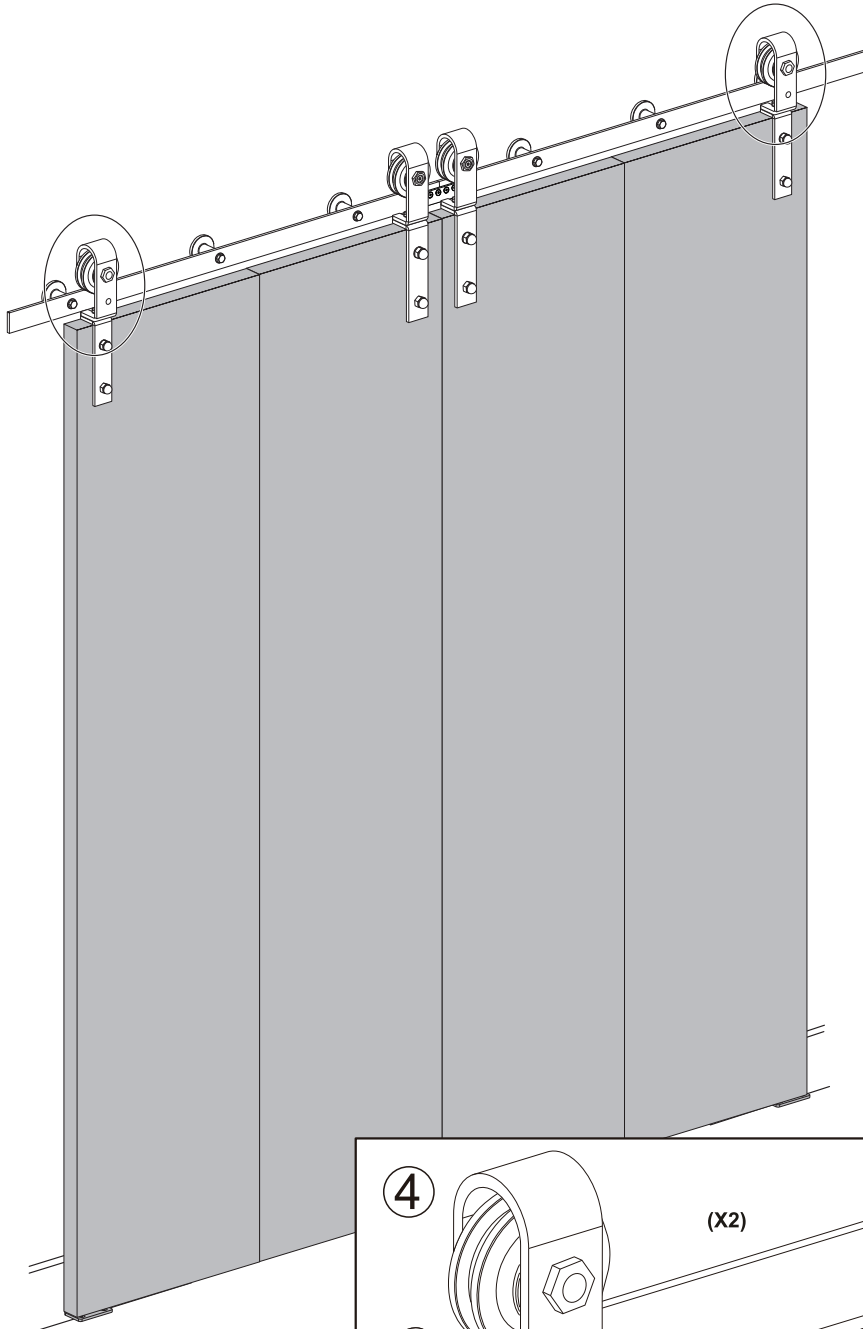


**Step 12. Install the fixed connector**

Align the hole of the connecting piece with the lower hole of the hanger roller plate.

Using a wrench to pass through the hanger roller plate and the connecting piece.

Tighten the other two holes of the connector with a screw. Then install the nut with the wrench.



**Step 13. Install the sealing strip**

Tear off the sealing strip and stick it to the side of the door

