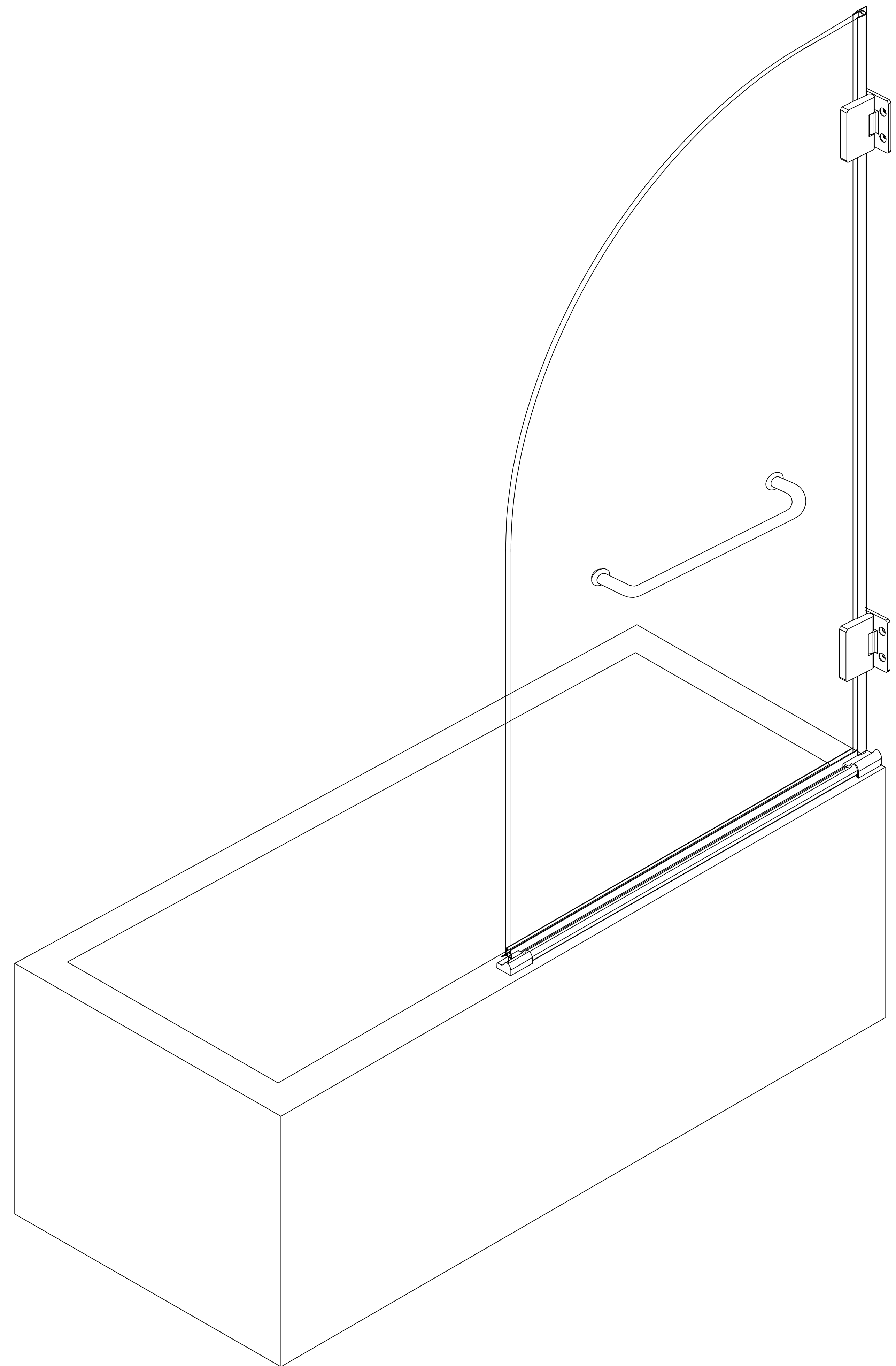


left-hand side shower
screen installation



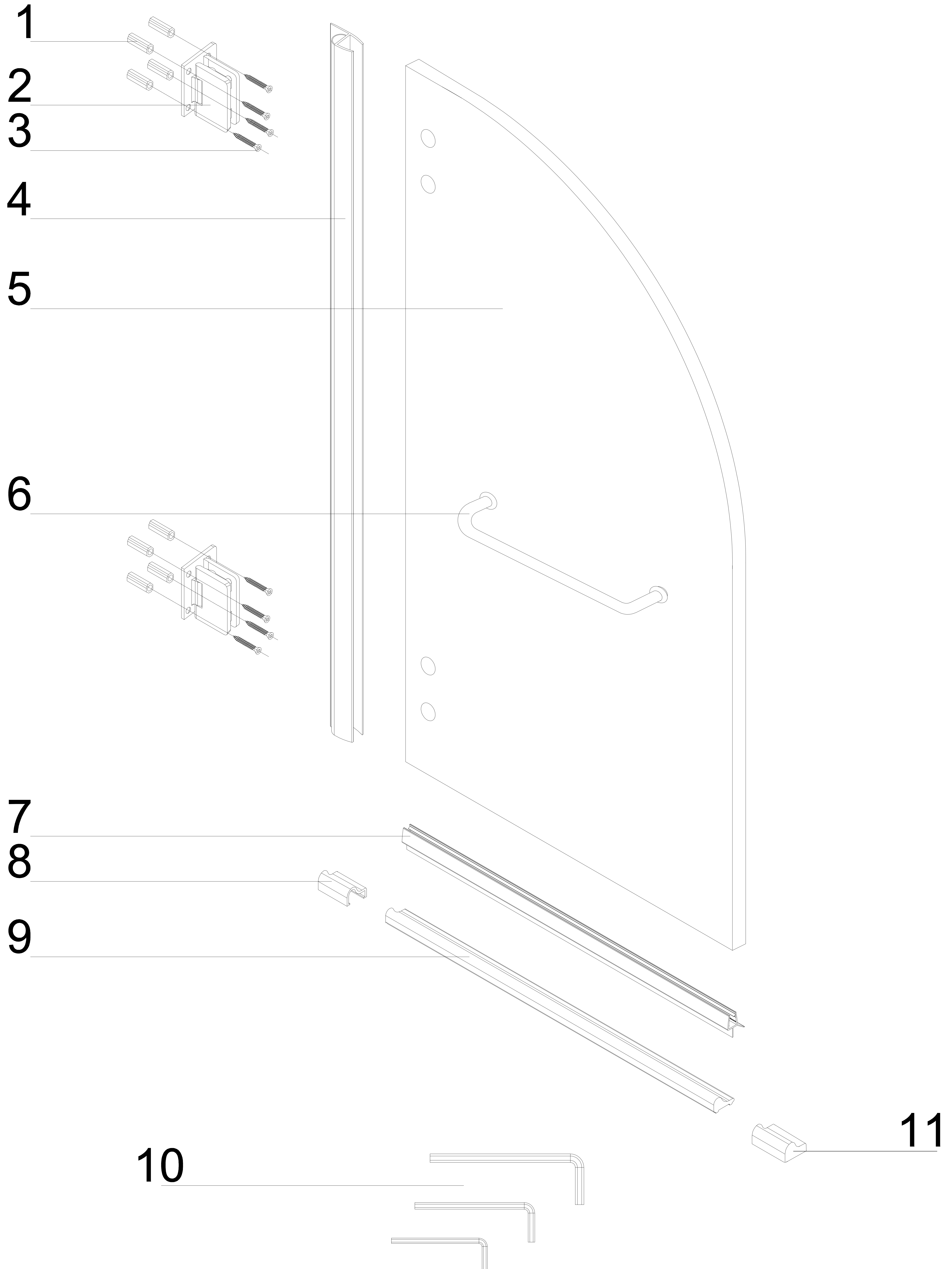
right-hand side shower
screen installation

Customer Support: 1-877-897-1222
After-sale service: felyl@outlook.com
Hours of Operation: M-F 9 AM-5:00PM

Scan for
instruction video

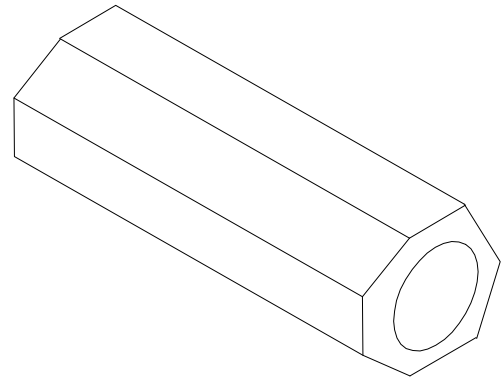
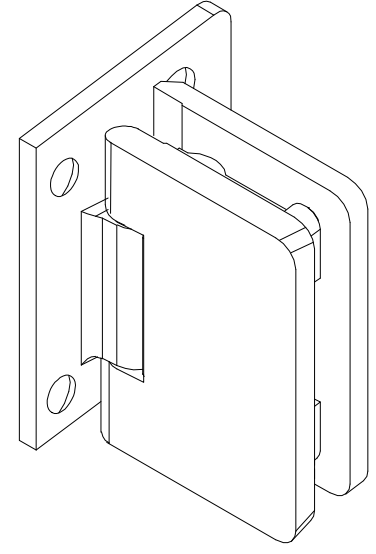
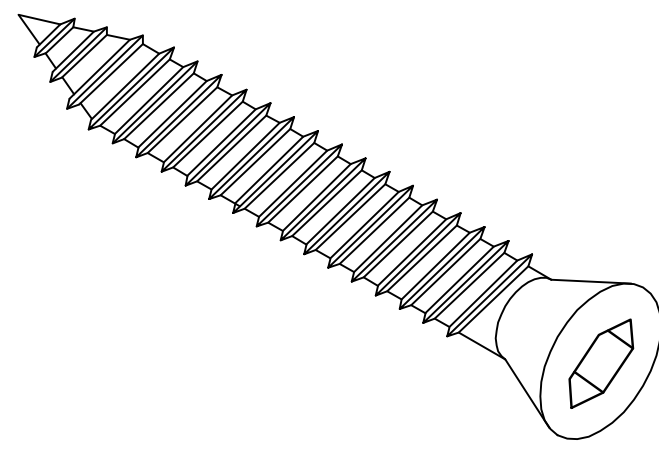
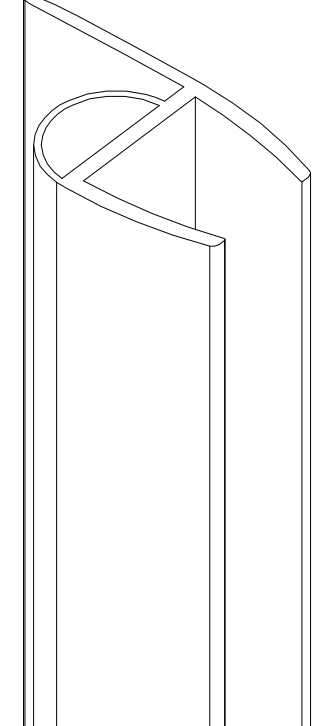
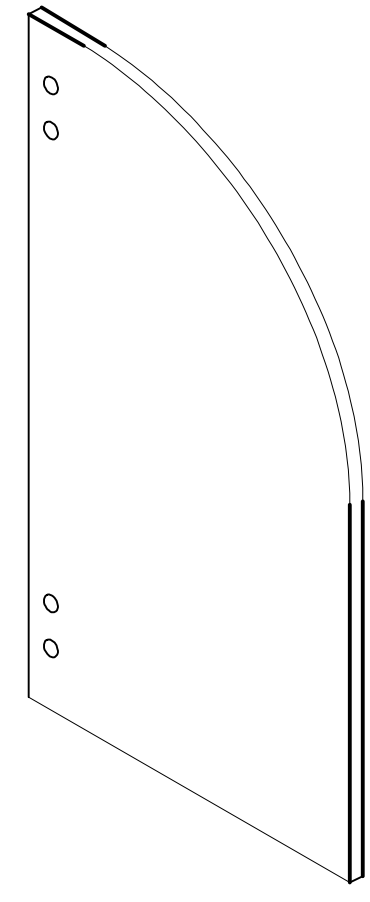
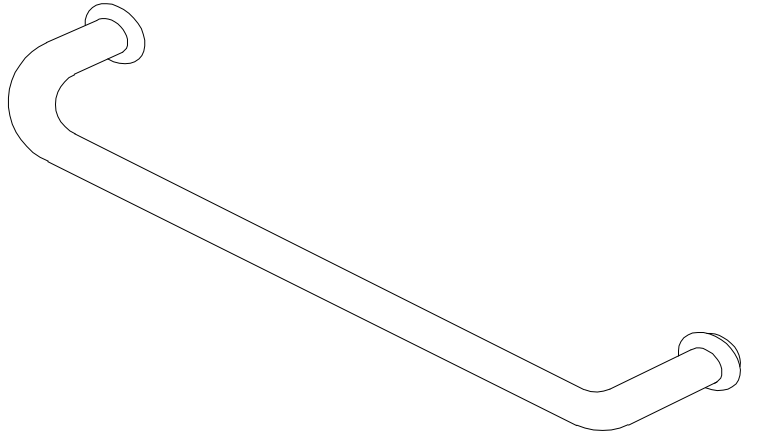
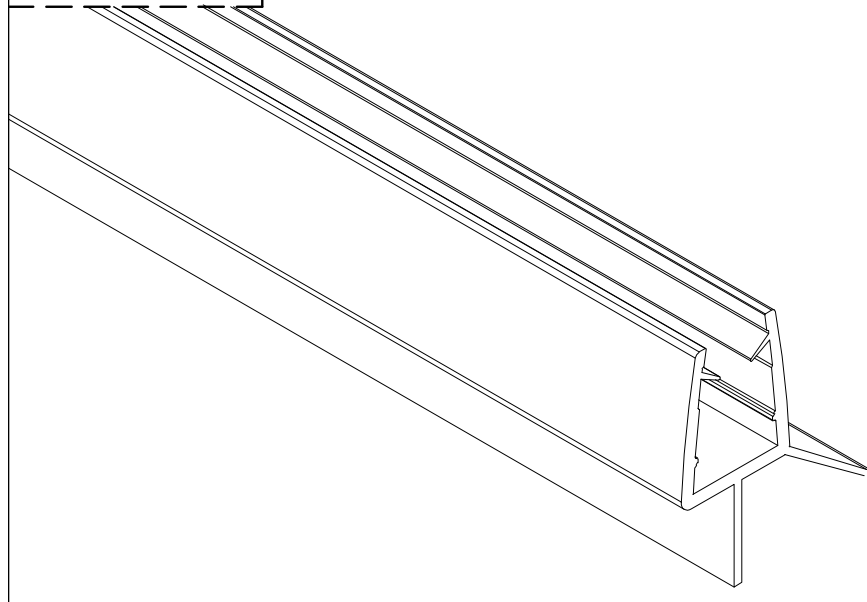
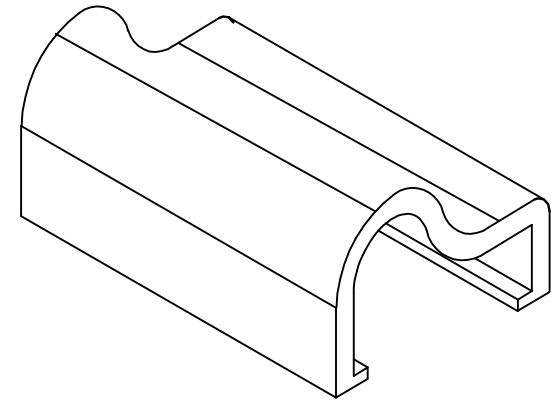
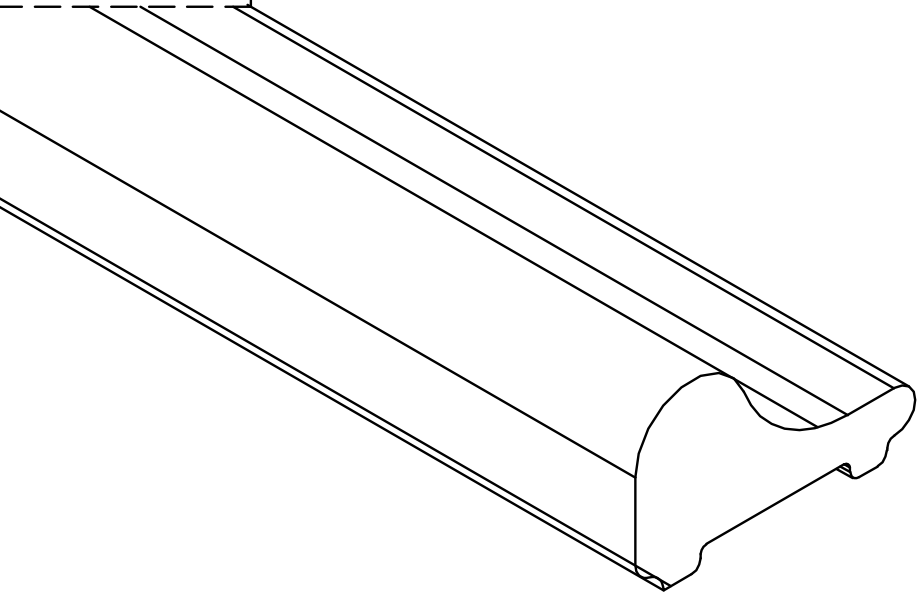
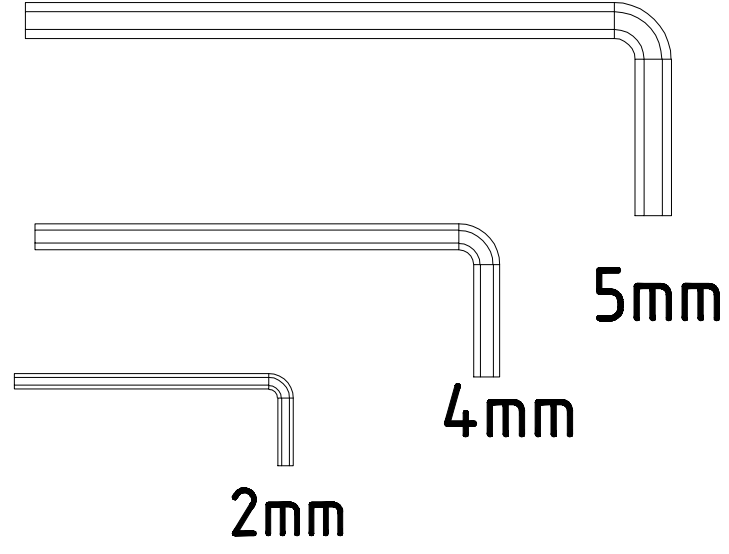
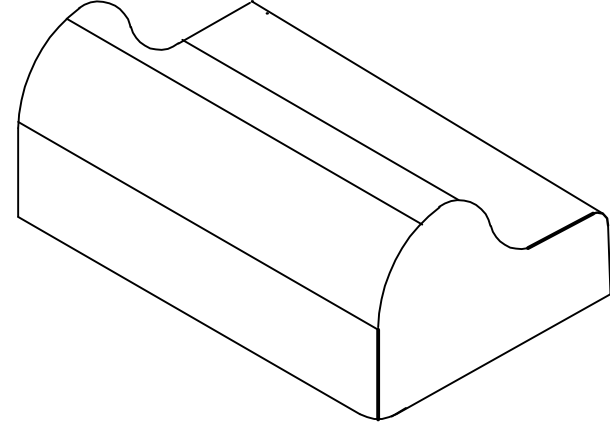


Detailed Diagram

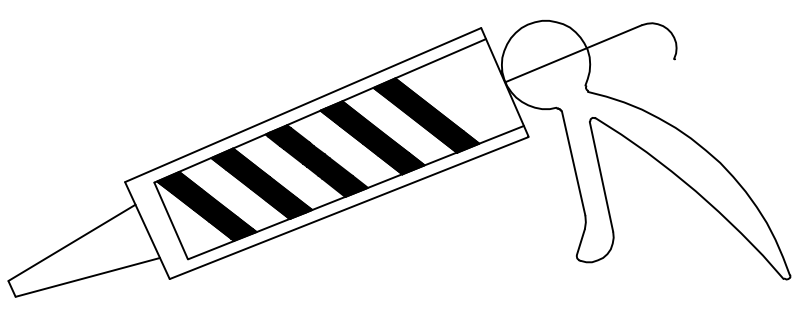
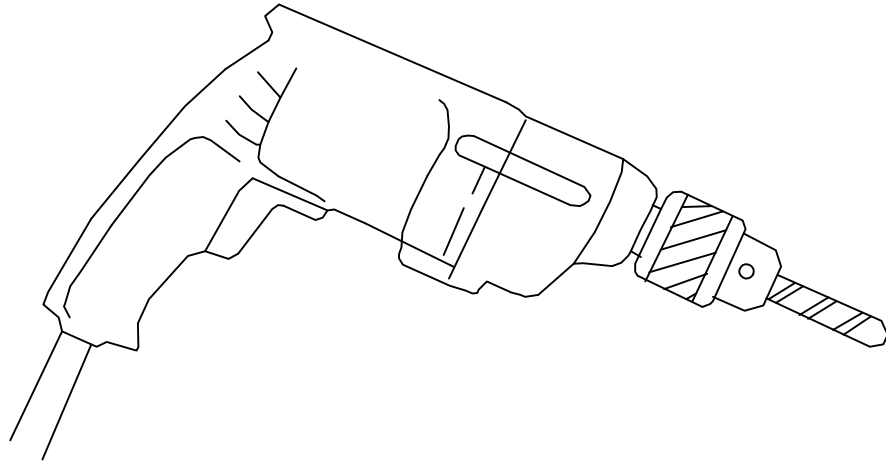
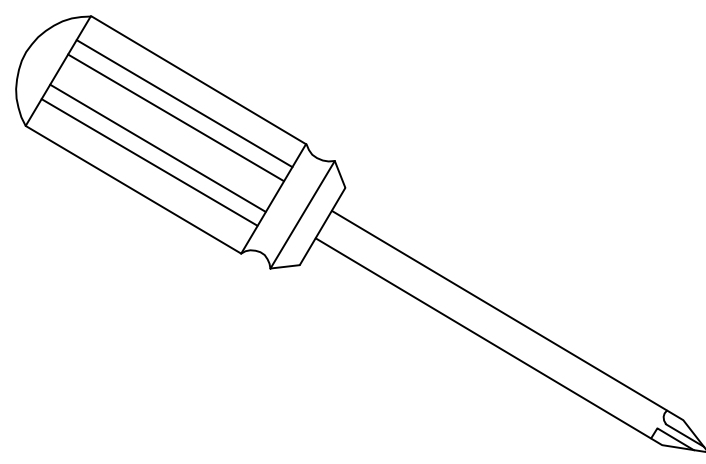
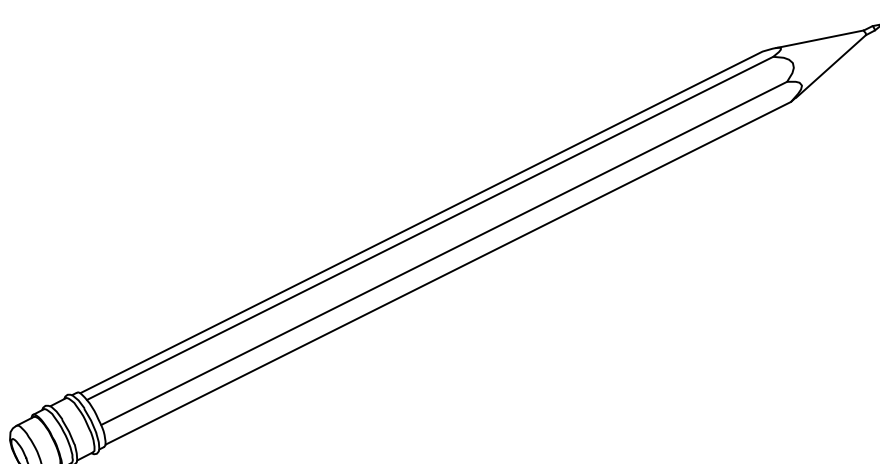
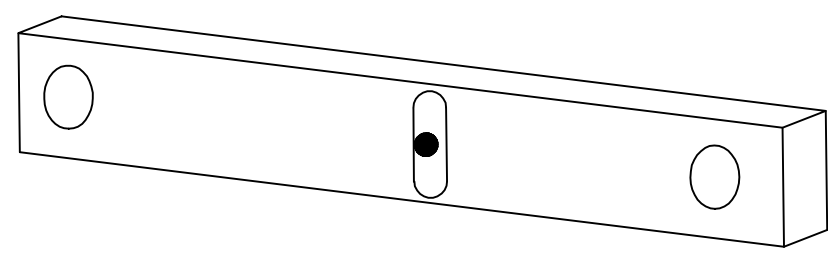
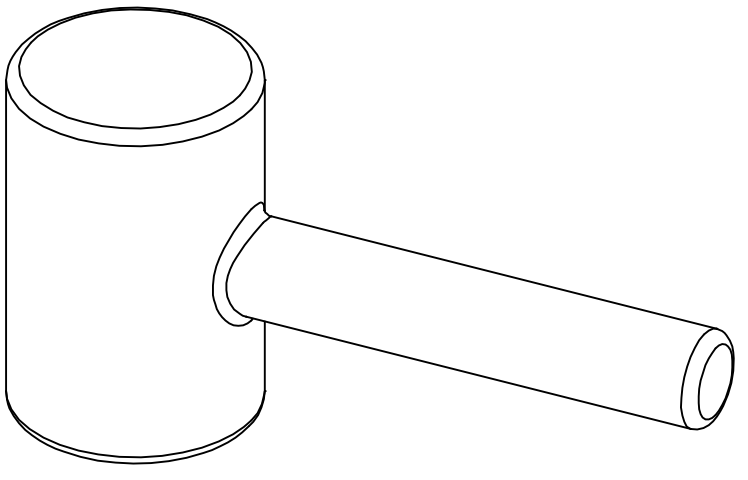
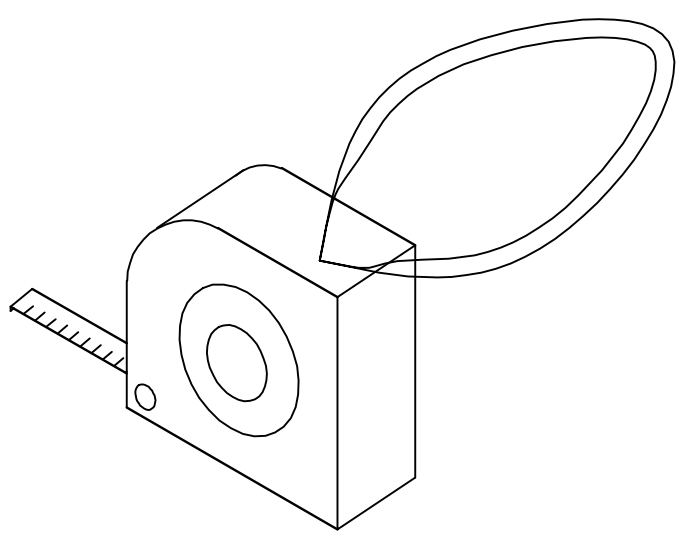
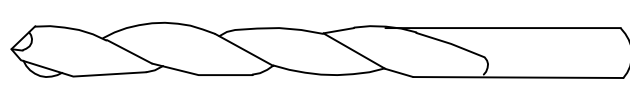
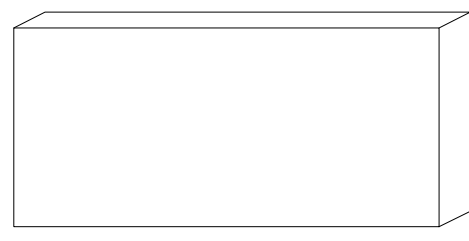
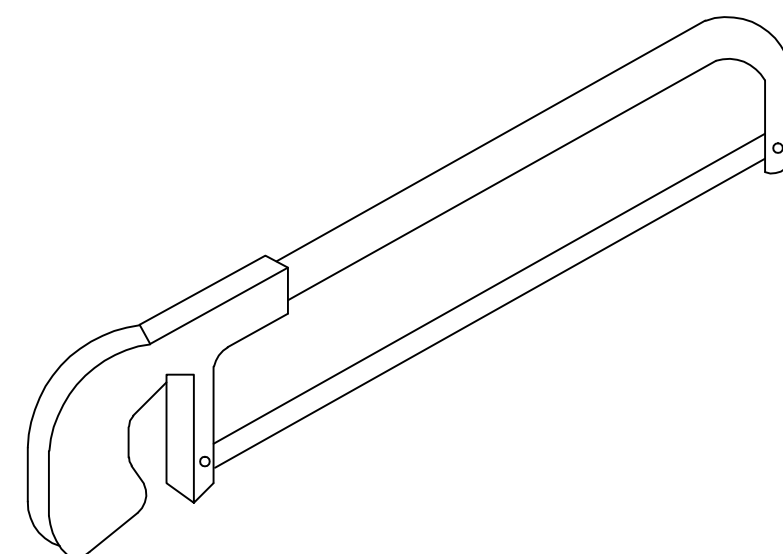




PART LIST

Check all parts according to the list before assembly . Feel free to contact with us if you need assistance .

					
<p>Plug8*36(8PCS)</p>	<p>Shower door hinge (2PCS)</p>	<p>Screw 5*40(8PCS)</p>	<p>Shower door side seal strip(1PC)</p>	<p>Shower screen door (1PC)</p>	<p>Shower door handle(1PC)</p>
					
<p>Shower door bottom seal strip (1PC)</p>	<p>Left-hand-side plastic connector(1 PC)</p>	<p>Aluminum strip(1 CP)</p>	<p>Allen key(3PCS)</p>	<p>Right-hand-side plastic connector(1 PC)</p>	

Recommended Tools

					
<p>Silicone</p>	<p>Drill</p>	<p>Philips Screw Driver</p>	<p>Pencil</p>	<p>Level</p>	<p>Rubber Mallet</p>
					
<p>Tape Measure</p>	<p>Ø5/16"Drill Bit</p>	<p>Wooden Jam</p>	<p>Hacksaw</p>	<p>Safety Glass</p>	<p>Safety Gloves</p>

Utilize Safety Glasses and Safety Gloves when constructing this shower door



Product installation attention and maintenance

Note: When installing, the glass corner protector cannot be dropped. And glass corners cannot touch the ground

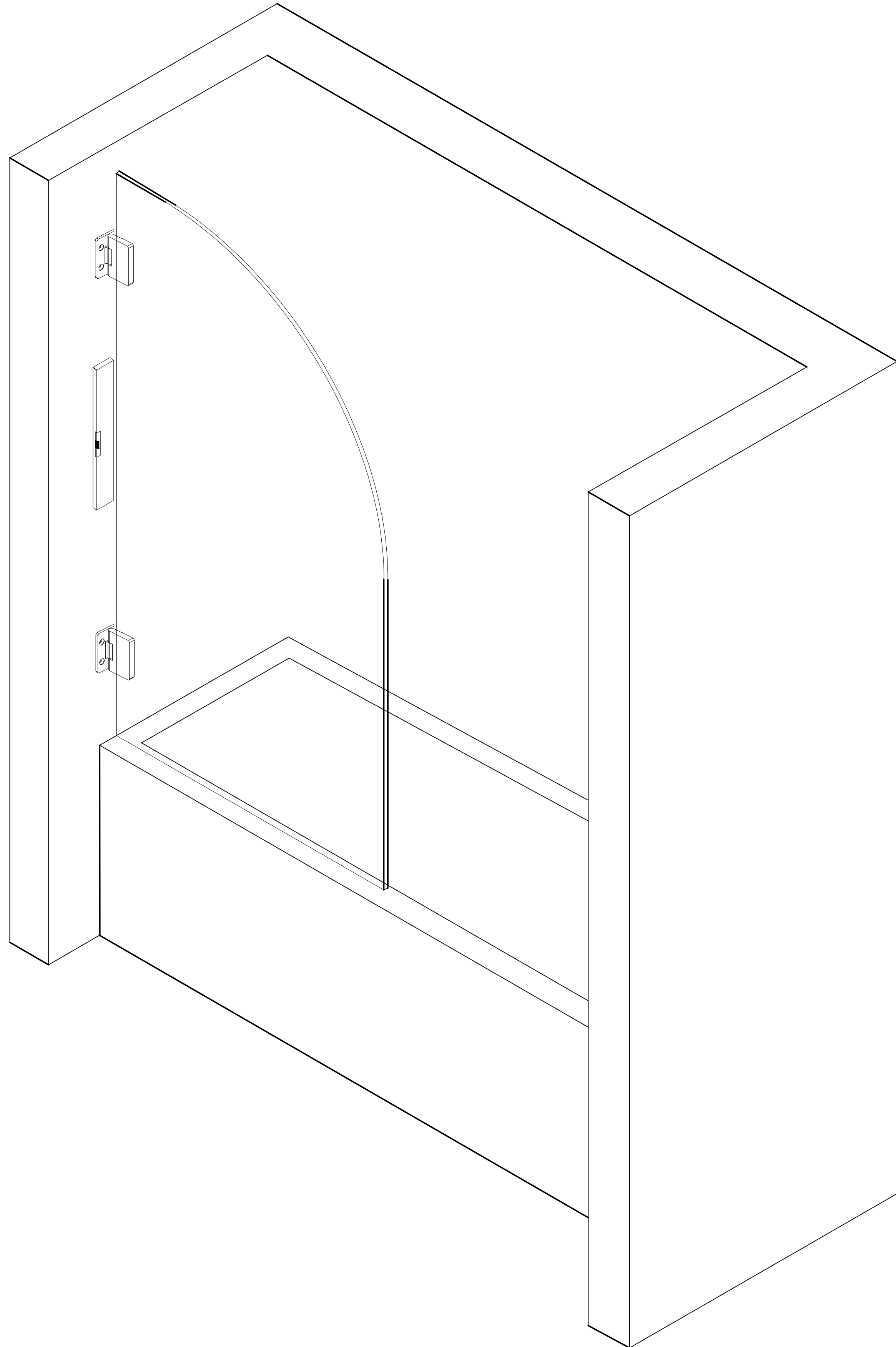
GLASS: To ensure long lasting life for your glass shower products: wipe them off after each use with a soft cloth. Rinse and wipe off the glass using either a soft cloth or a squeegee to prevent soap buildup and water spots (Hard water can etch the surface of the glass over time if left to dry). To prevent scratching the surface: never use abrasive cleaners or cleaning products that contain scouring agents. Never use bristle brushes or abrasive sponges that may scratch the surface.

HARDWARE: To ensure a long lasting finish: wipe off the metal parts after each use with a soft cloth. Do not use abrasive cleaners or cleaning products containing ammonia, bleach or acid. If accidentally used, rinse the surface as soon as possible to prevent damage to the finish (peeling or corrosion). After cleaning the polished finishes, rinse thoroughly and wipe dry with soft cloth. Clean stainless steel surfaces at least once a week. When applying stainless steel cleaner or polish to stainless steel hardware, work with (not across) the grain. Never use an abrasive sponge or cloth, steel wool or wired brush as these may permanently scratch the surfaces.

Left Hand Assembly

STEP 1

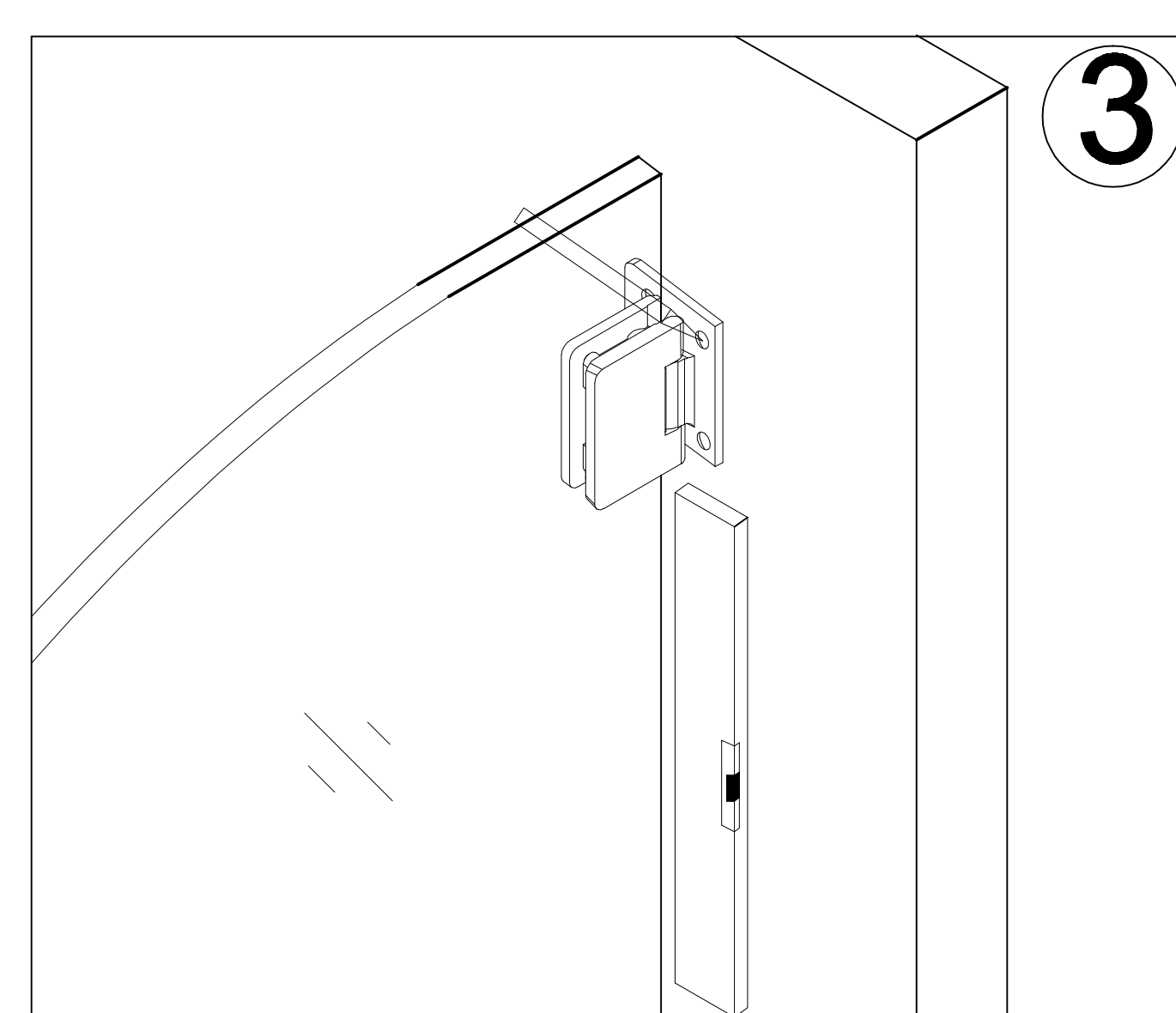
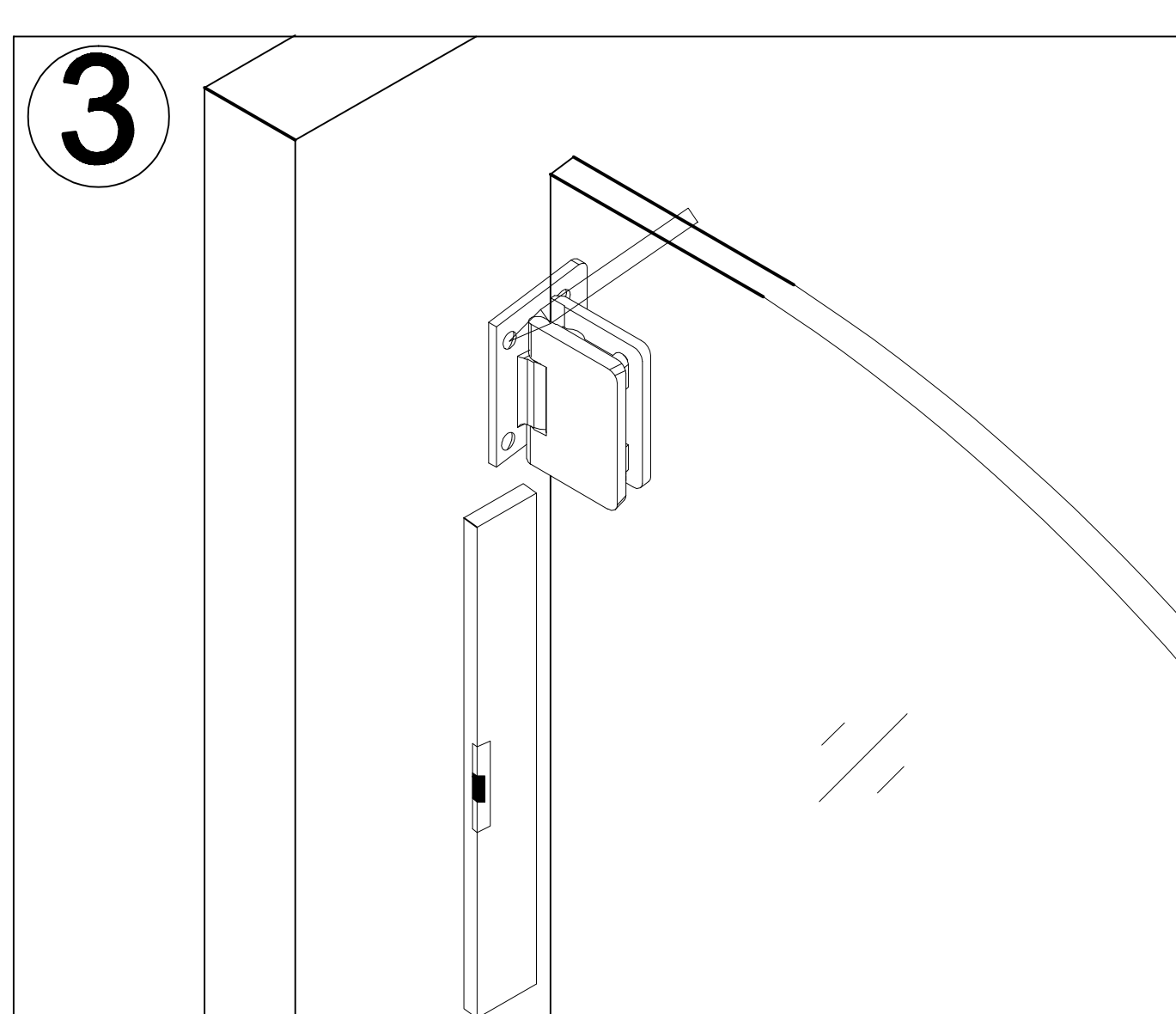
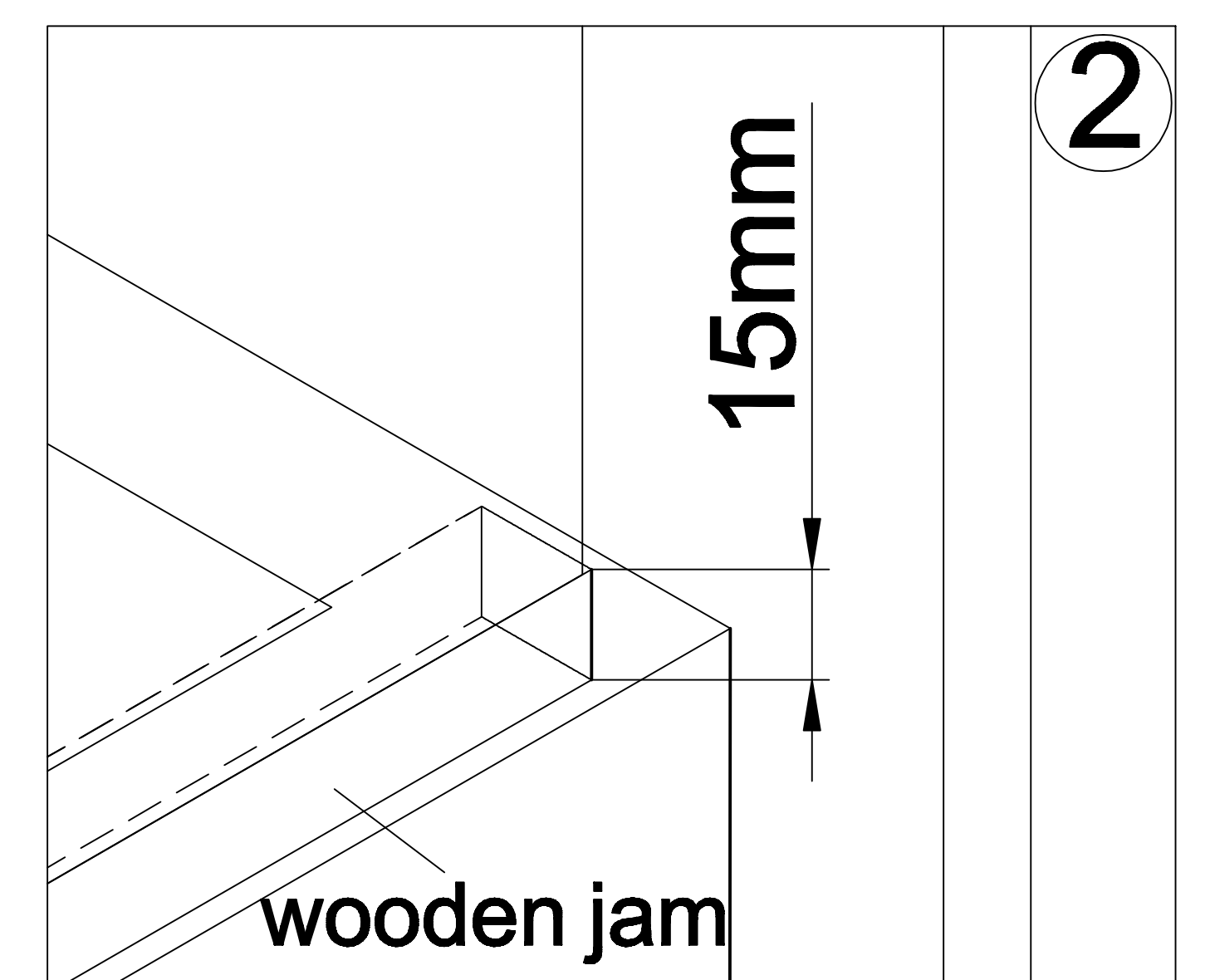
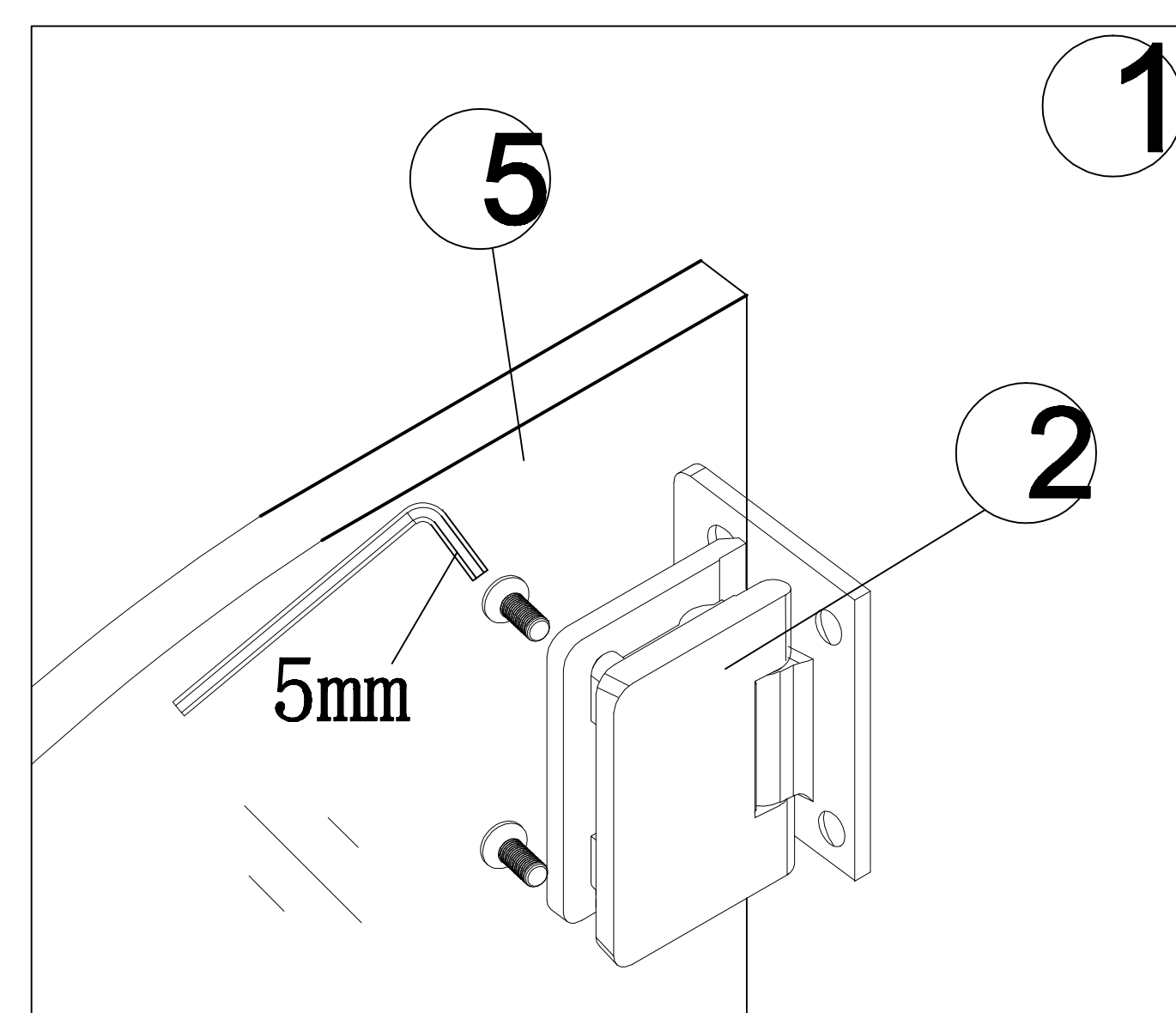
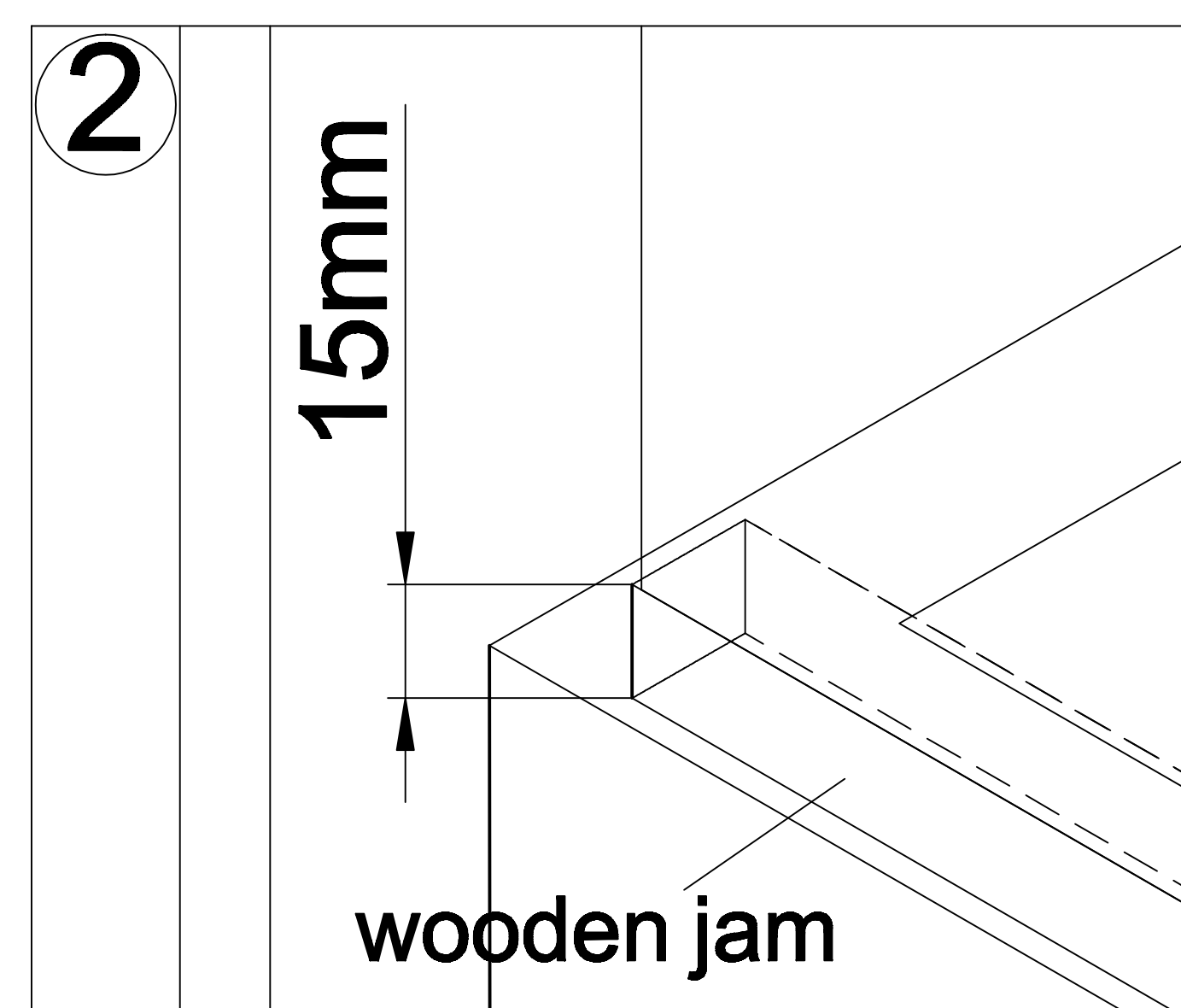
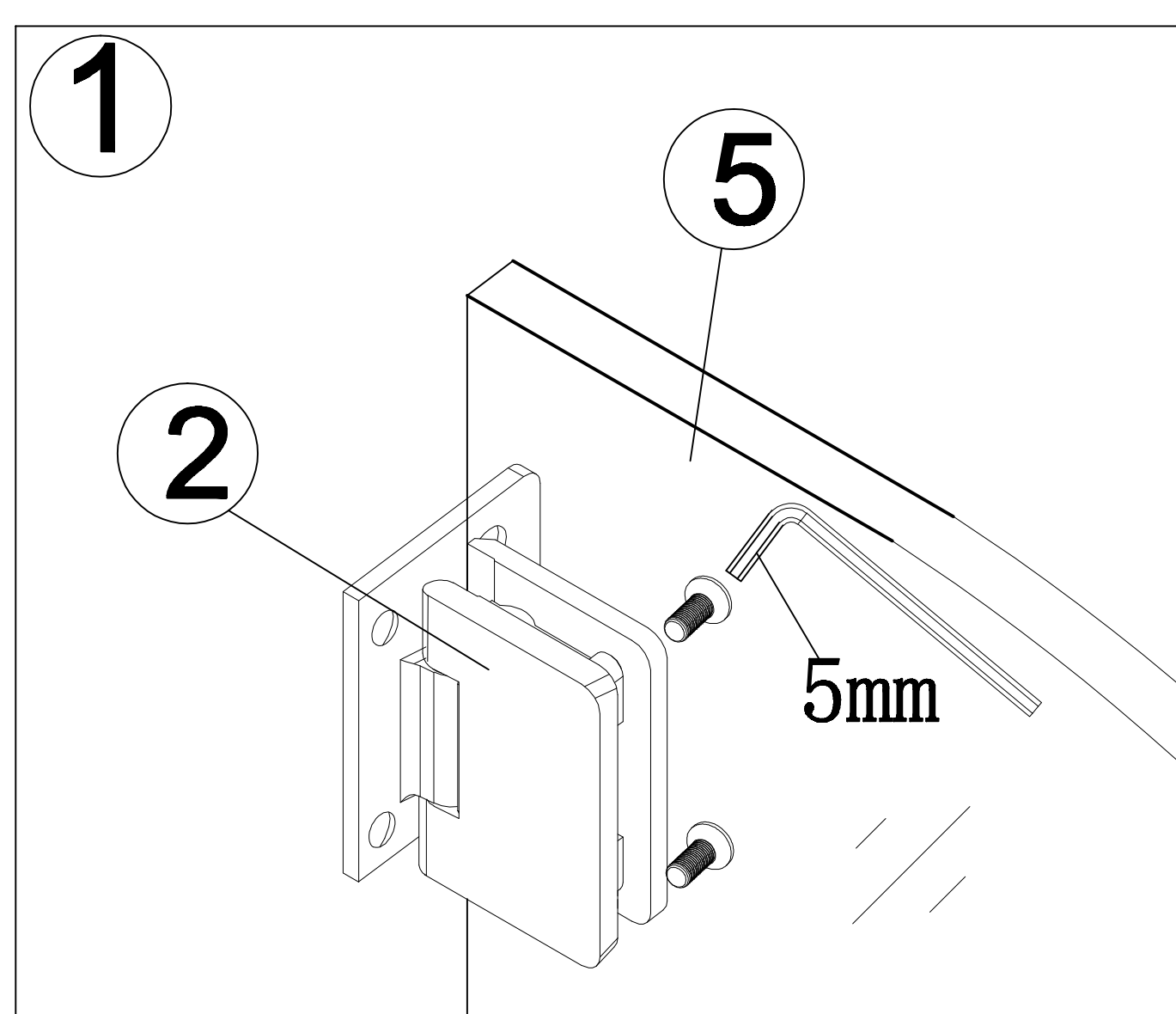
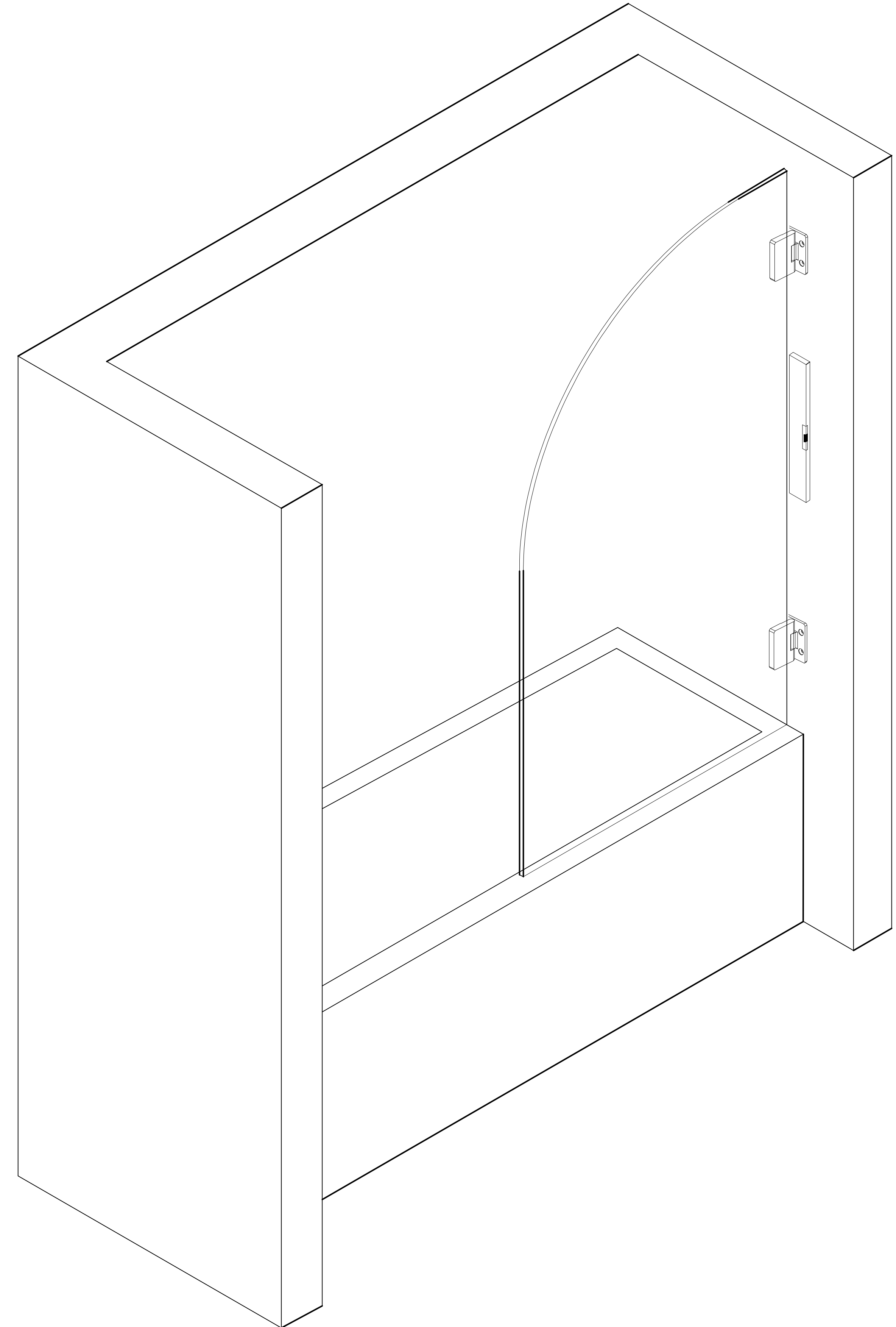
1. Install shower door hinge(2) onto shower screen door(5).
2. Place the wooden jam under the glass to support the glass and mark the hole.
3. Attach shower screen door(5) to the wall and leave 15mm gap between the door bottom and bathtub's top surface. Make sure it aligns straight with level and mark the hole position of hinge(2) with pencil.



Right Hand Assembly

STEP 1

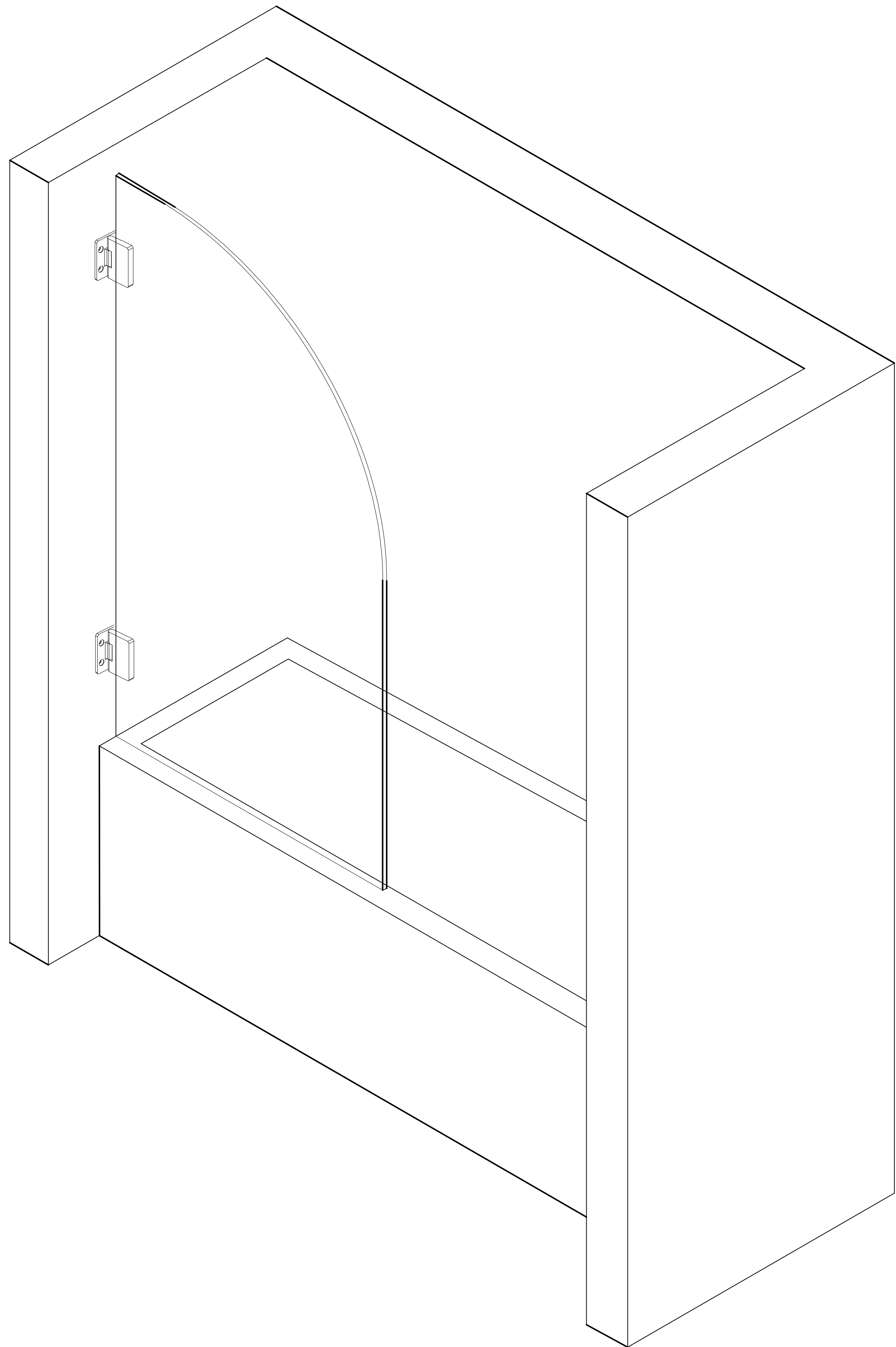
1. Install shower door hinge(2) onto shower screen door(5).
2. Place the wooden jam under the glass to support the glass and mark the hole.
3. Attach shower screen door(5) to the wall and leave 15mm gap between the door bottom and bathtub's top surface. Make sure it aligns straight with level and mark the hole position of hinge(2) with pencil.



Left Hand Assembly

STEP 2

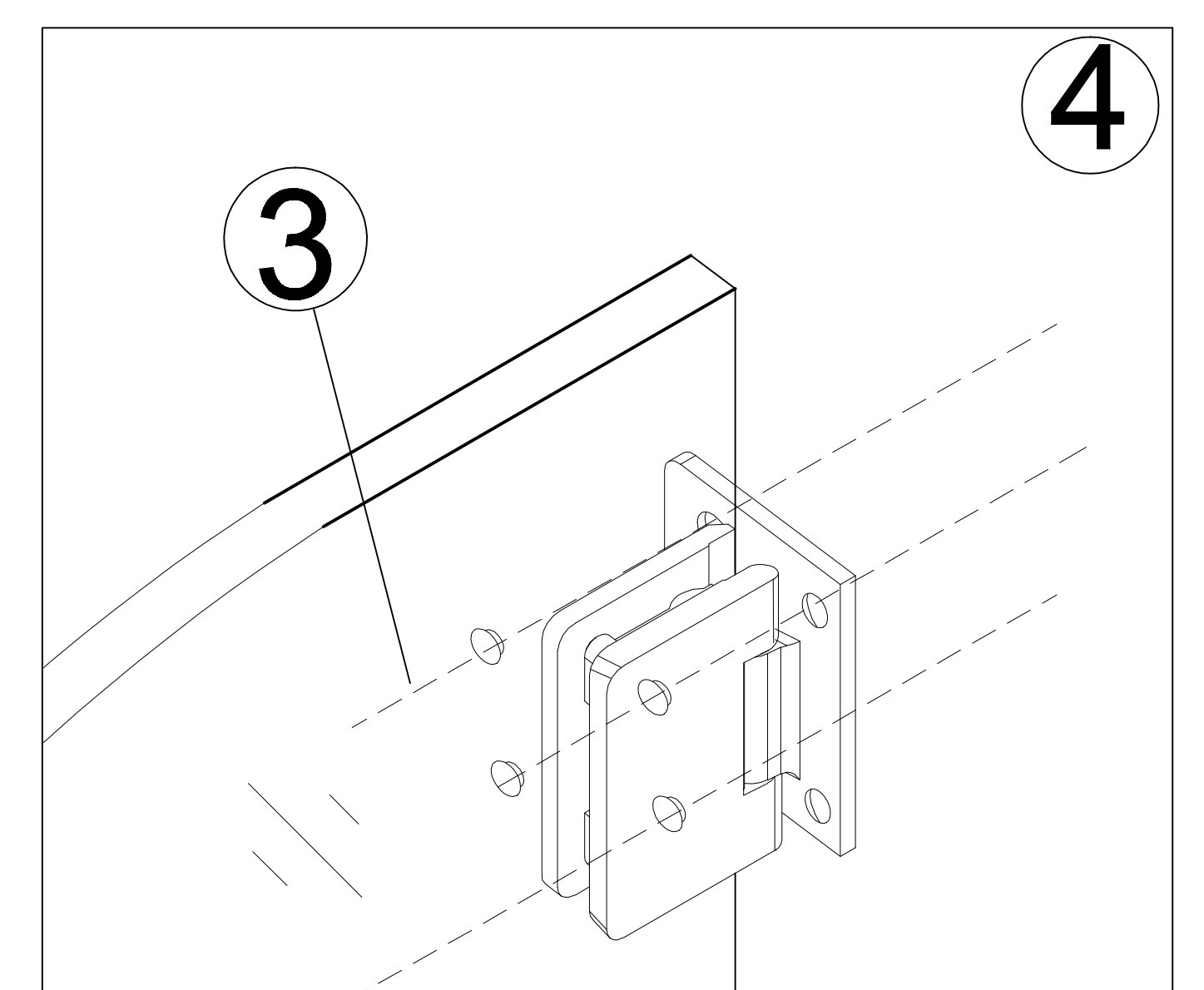
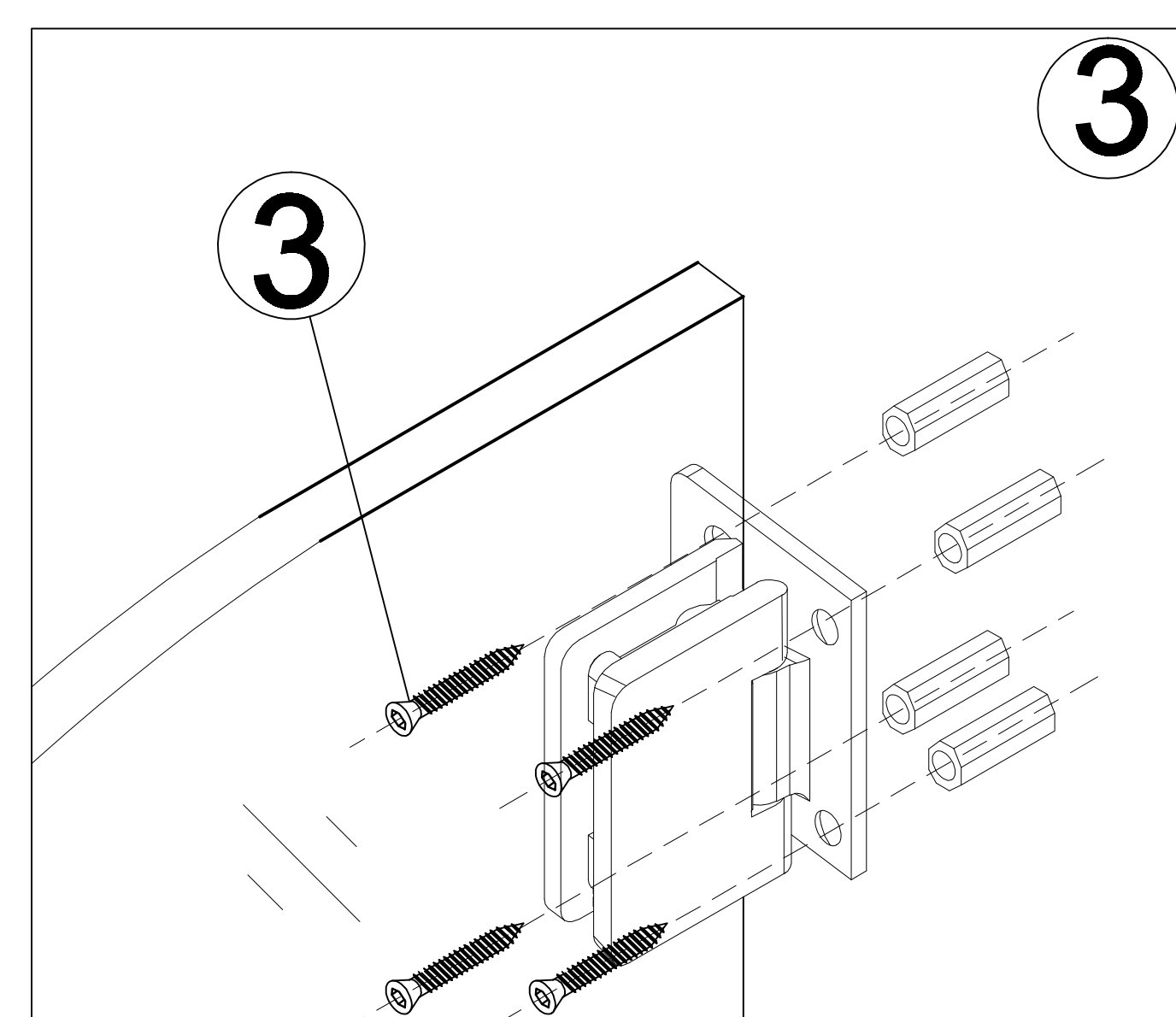
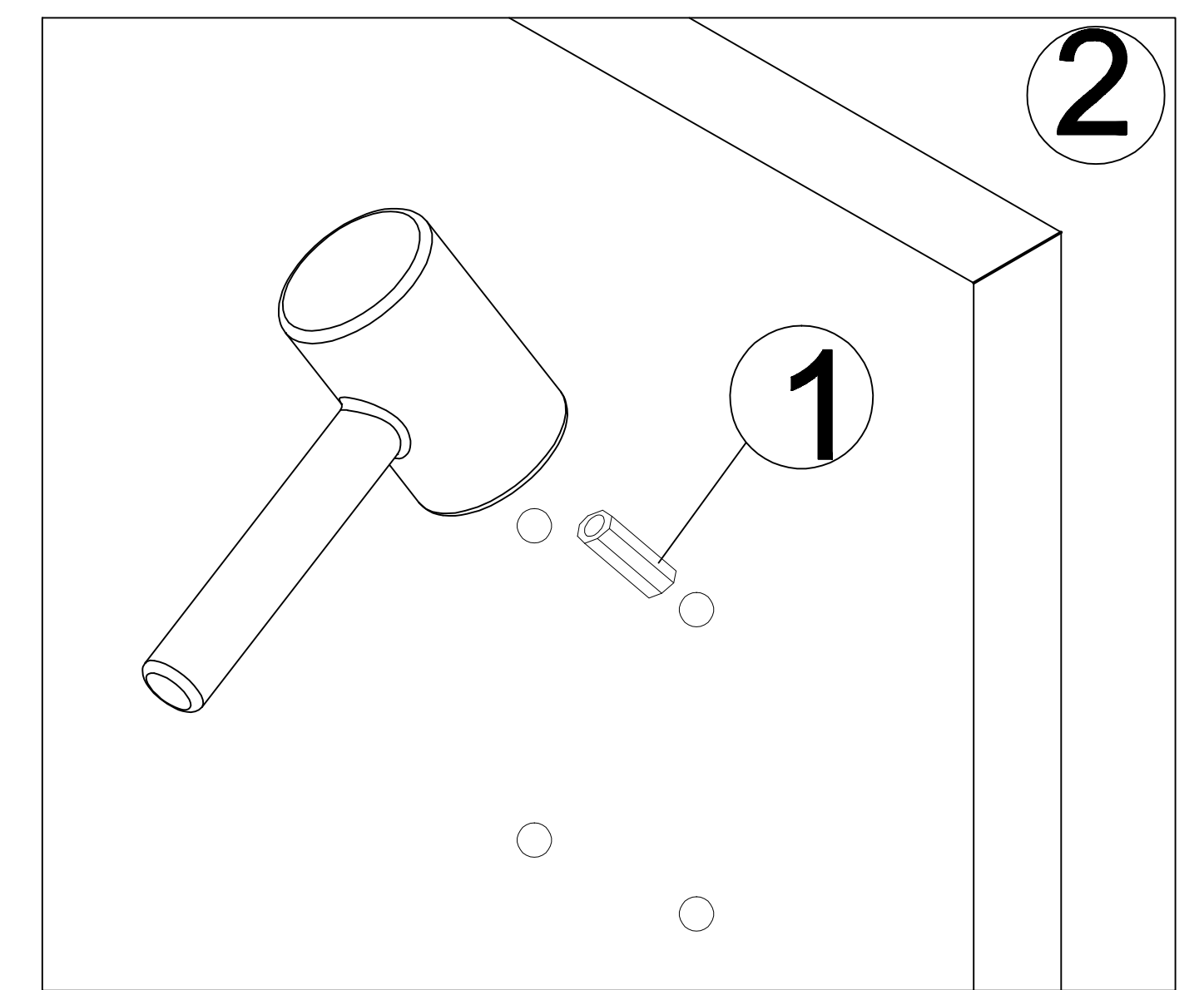
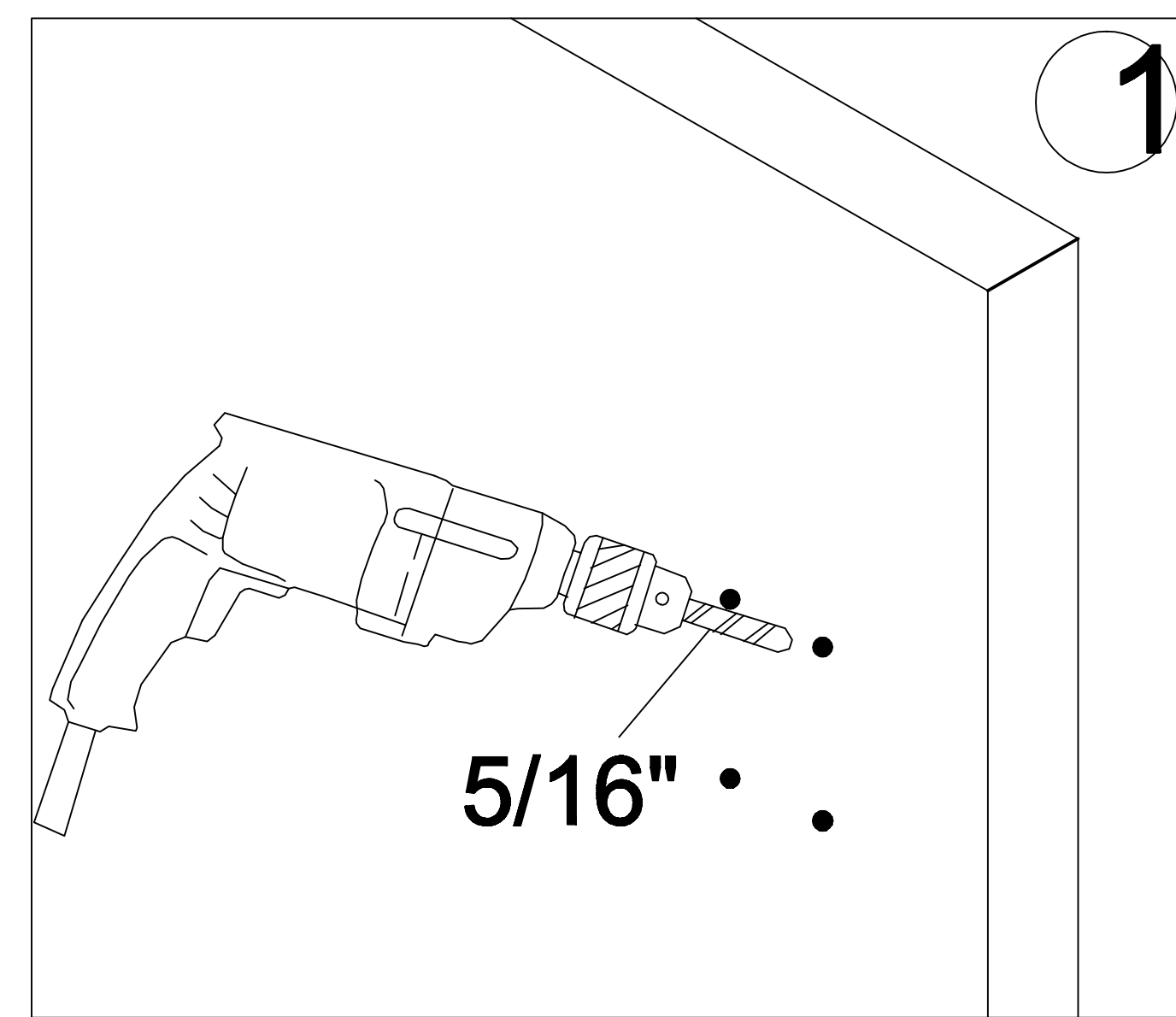
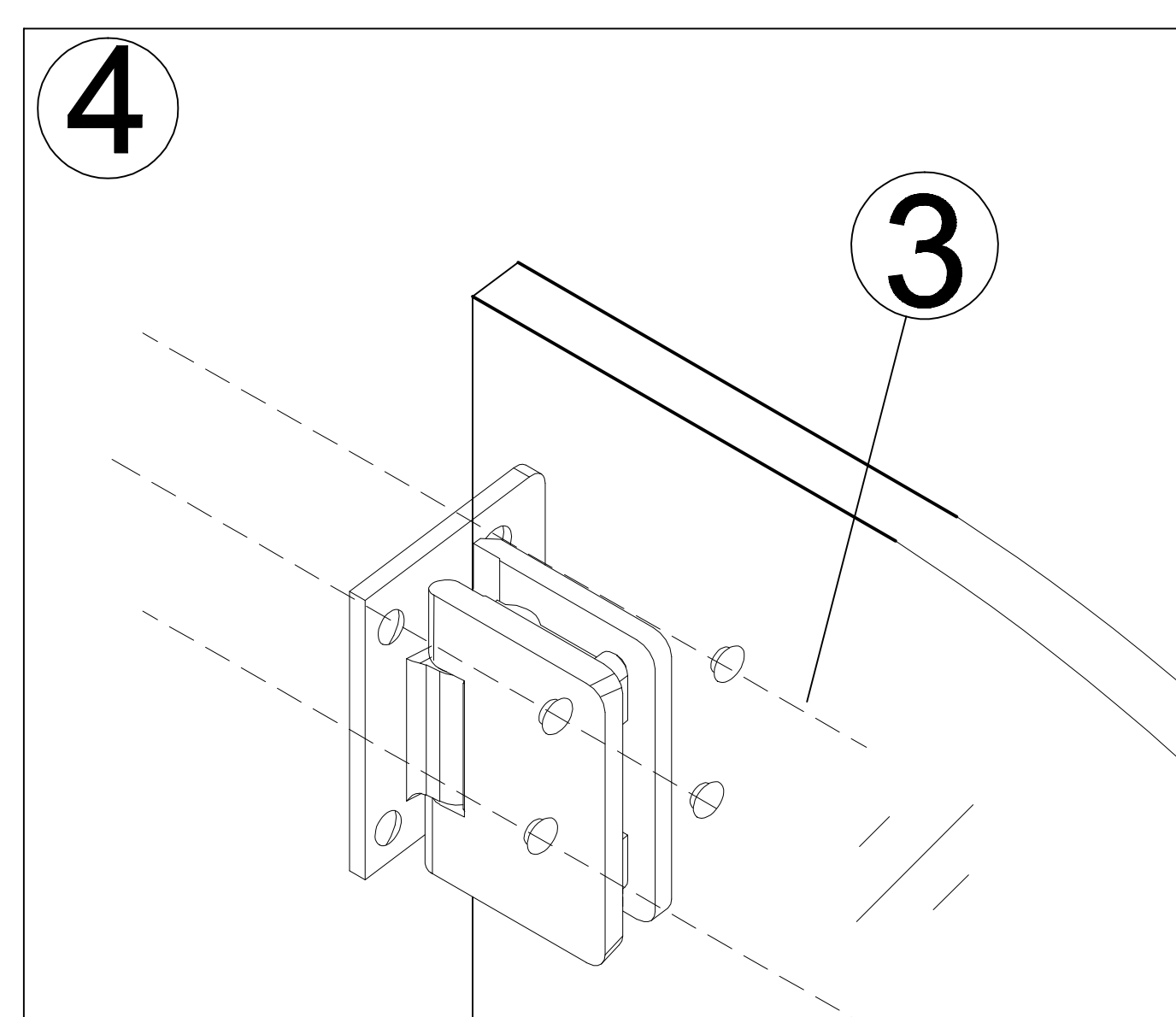
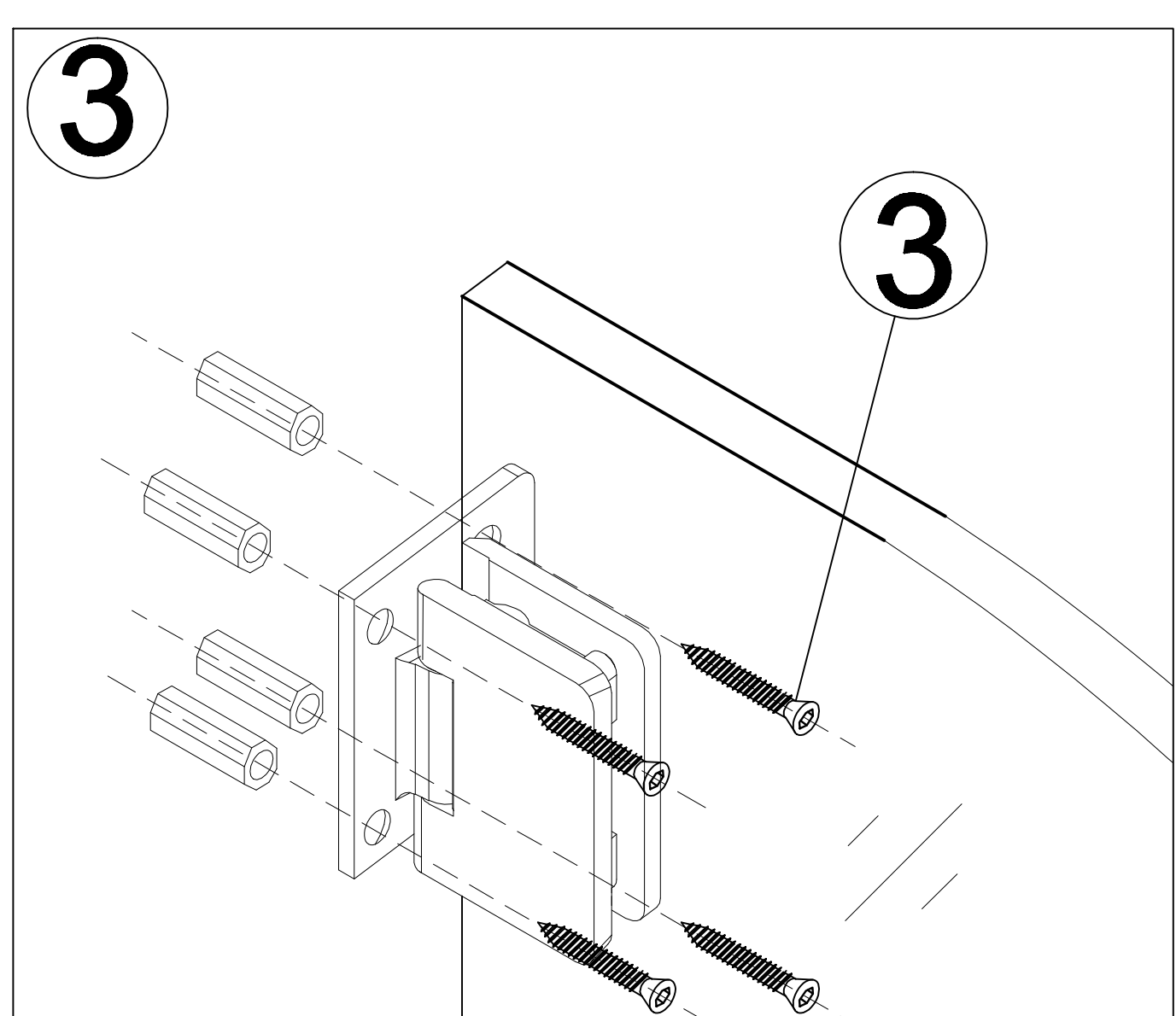
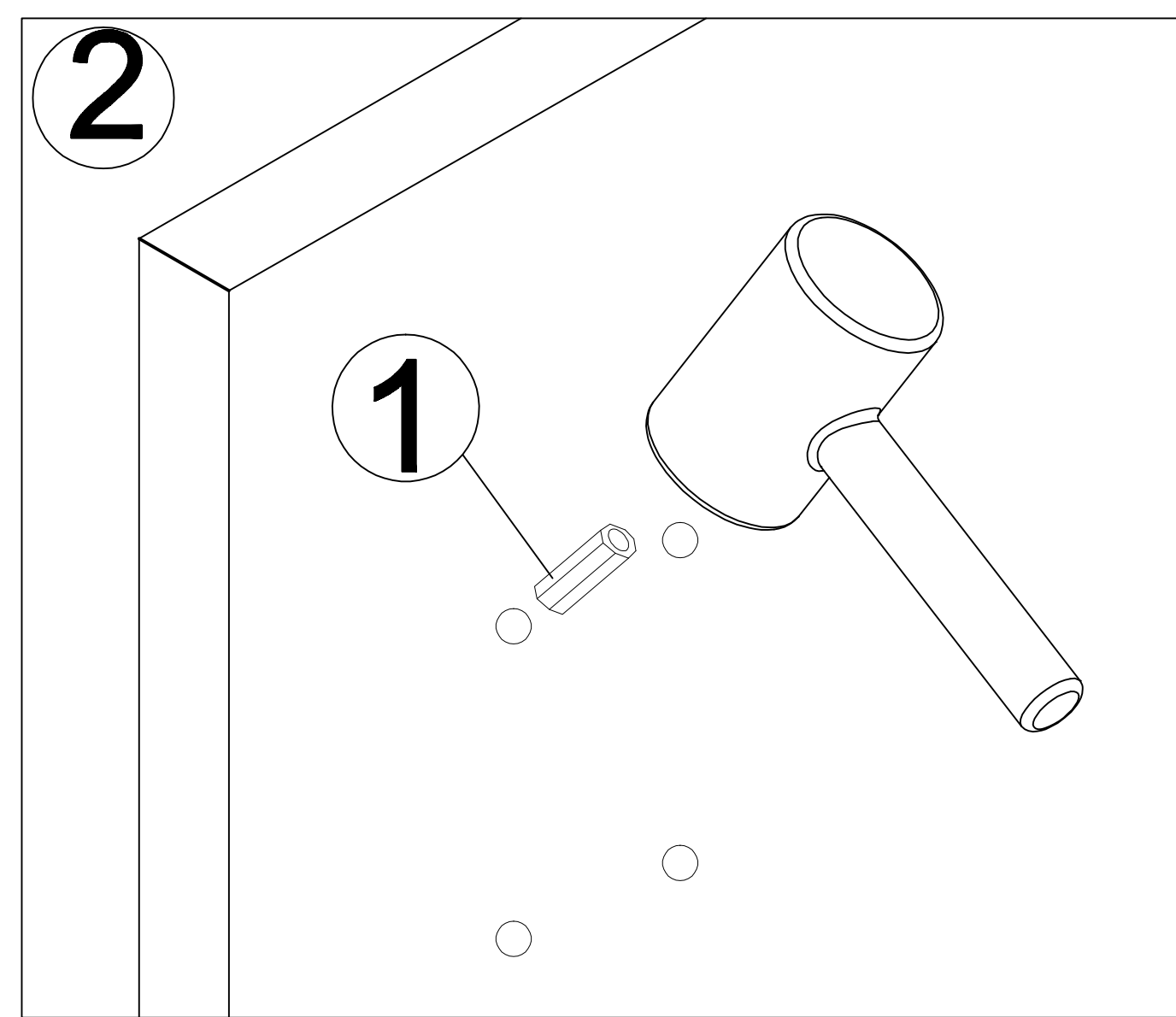
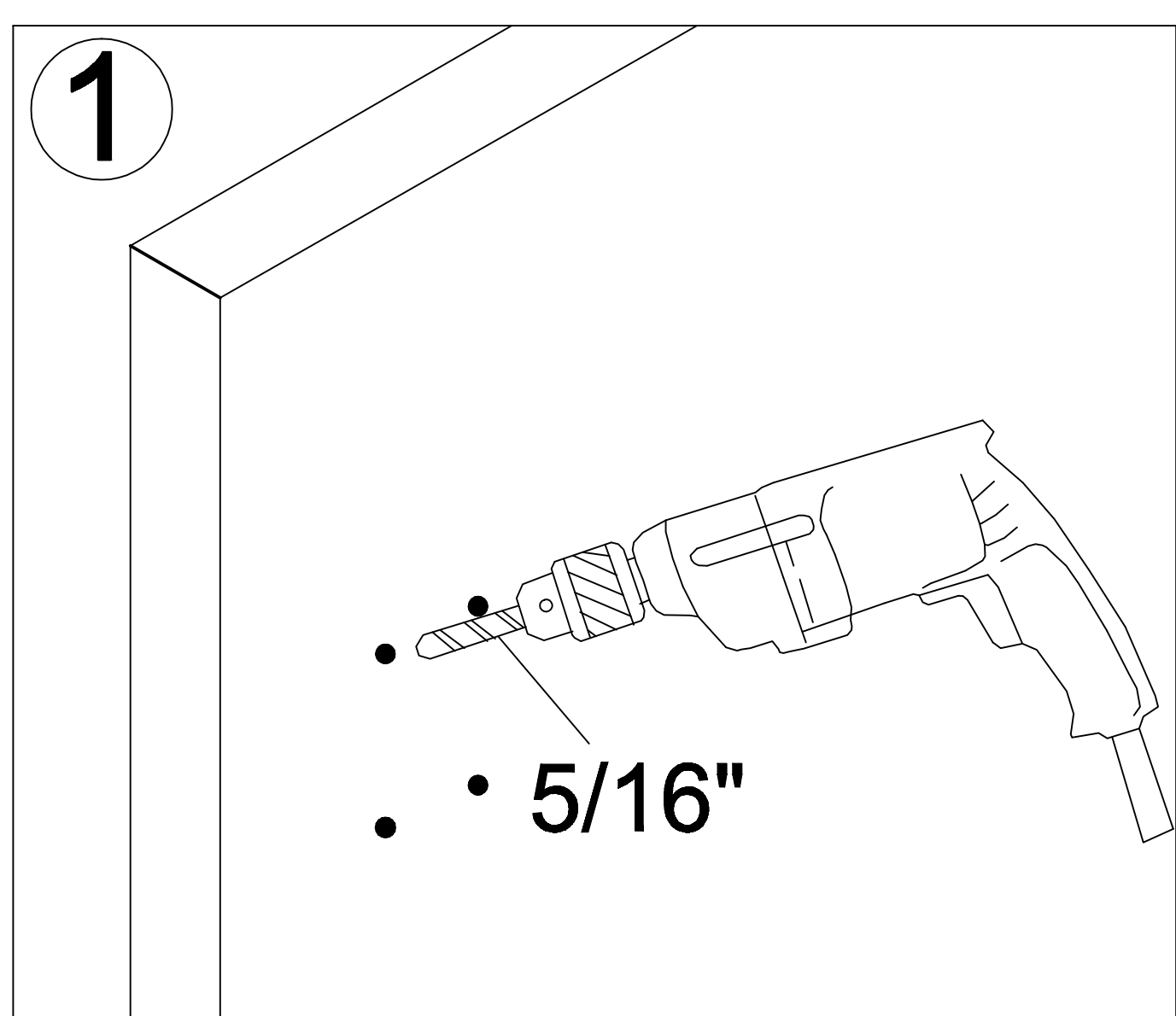
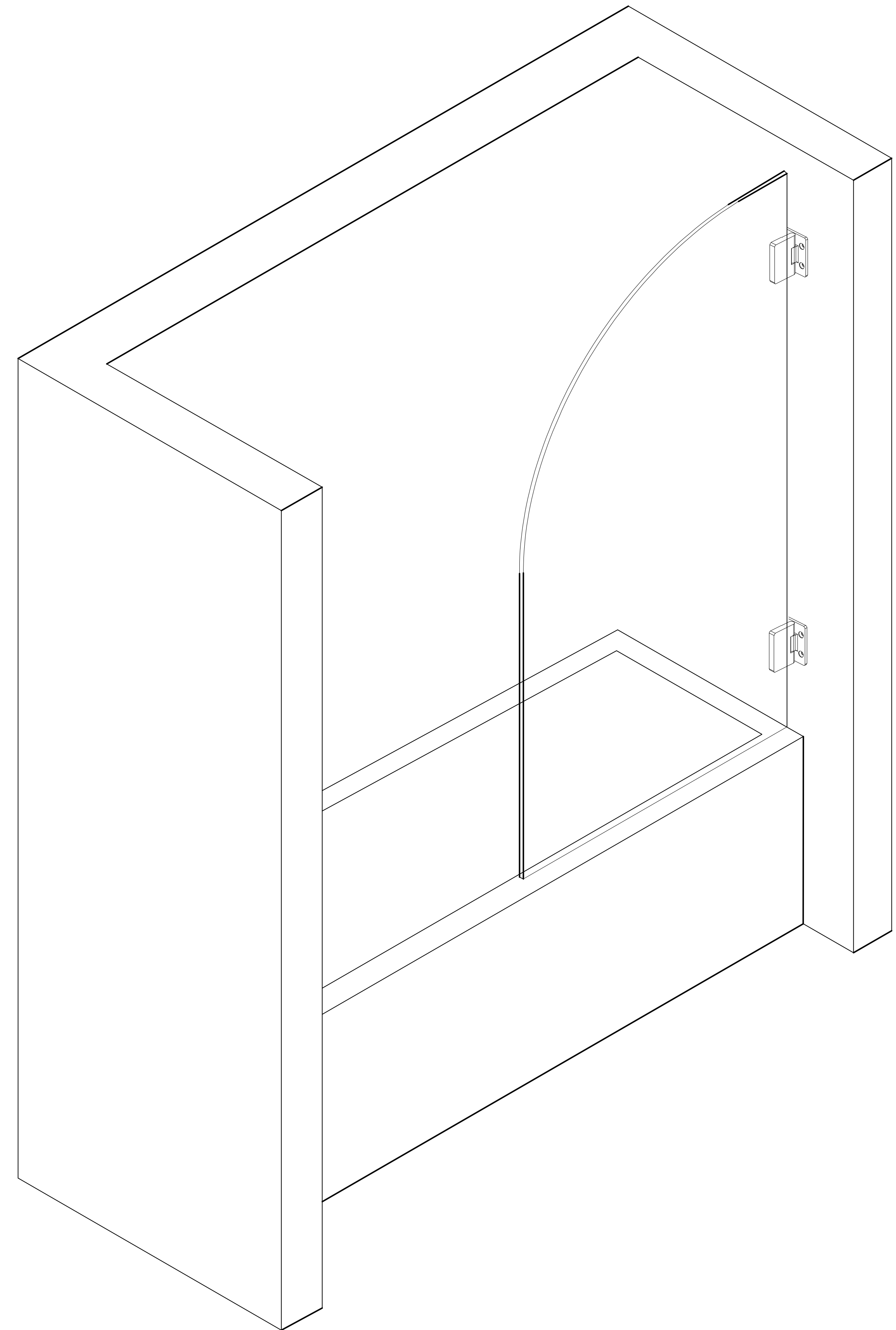
1. Take off the shower screen door(5), and drill through the pencil markings.
2. Insert the plug(1) into the hole and use Rubber Mallet to hit it until it's fully in.
3. Align the shower screen door to the wall and use screw 5x40(3) to screw tight the hinge(2).
4. Put the screws cover.



Right Hand Assembly

STEP2

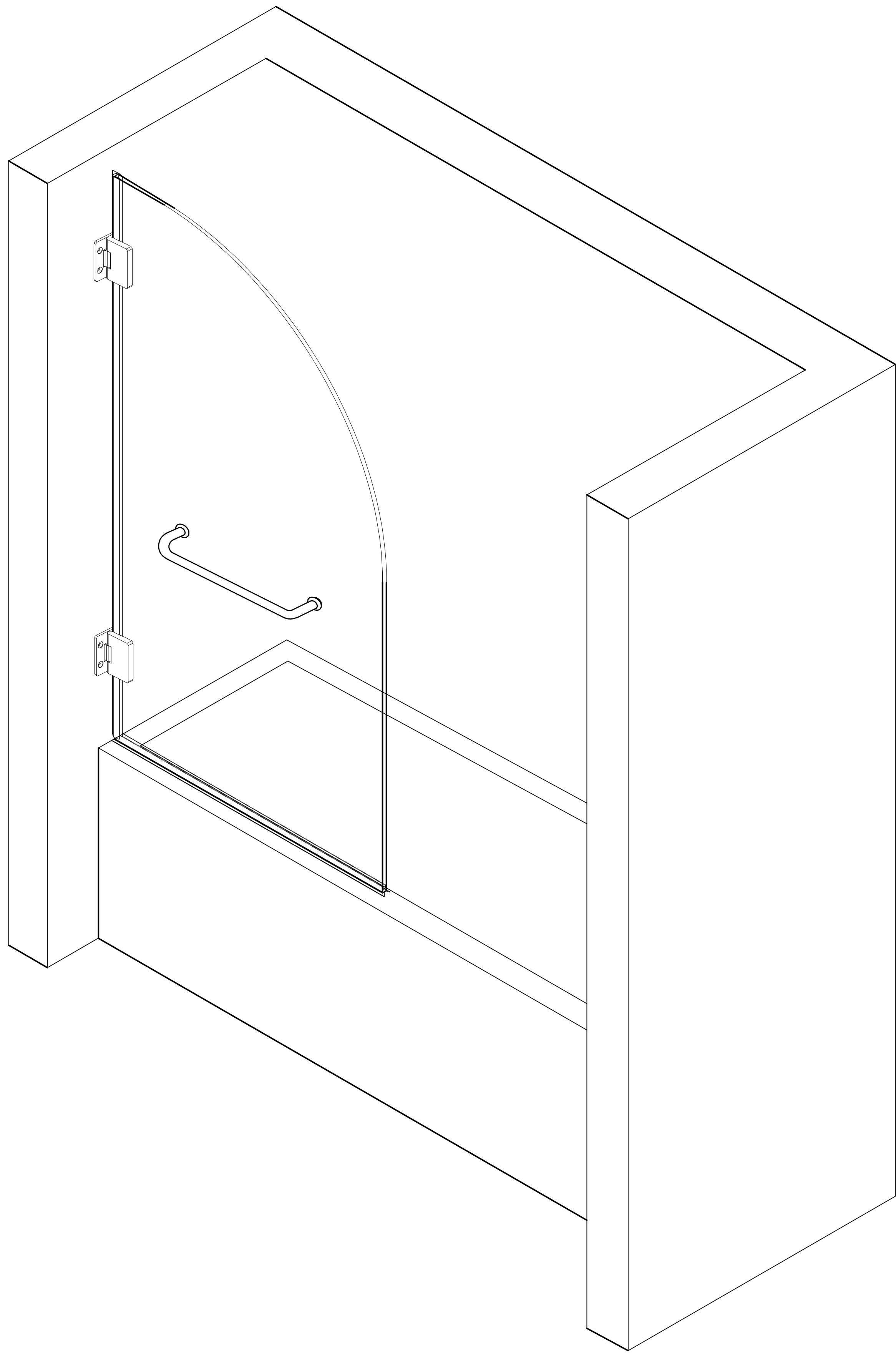
1. Take off the shower screen door(5), and drill through the pencil markings.
2. Insert the plug(1) into the hole and use Rubber Mallet to hit it until it's fully in.
3. Align the shower screen door to the wall and use screw 5x40(3) to screw tight the hinge(2).
4. Put the screws cover.



Left Hand Assembly

STEP 3

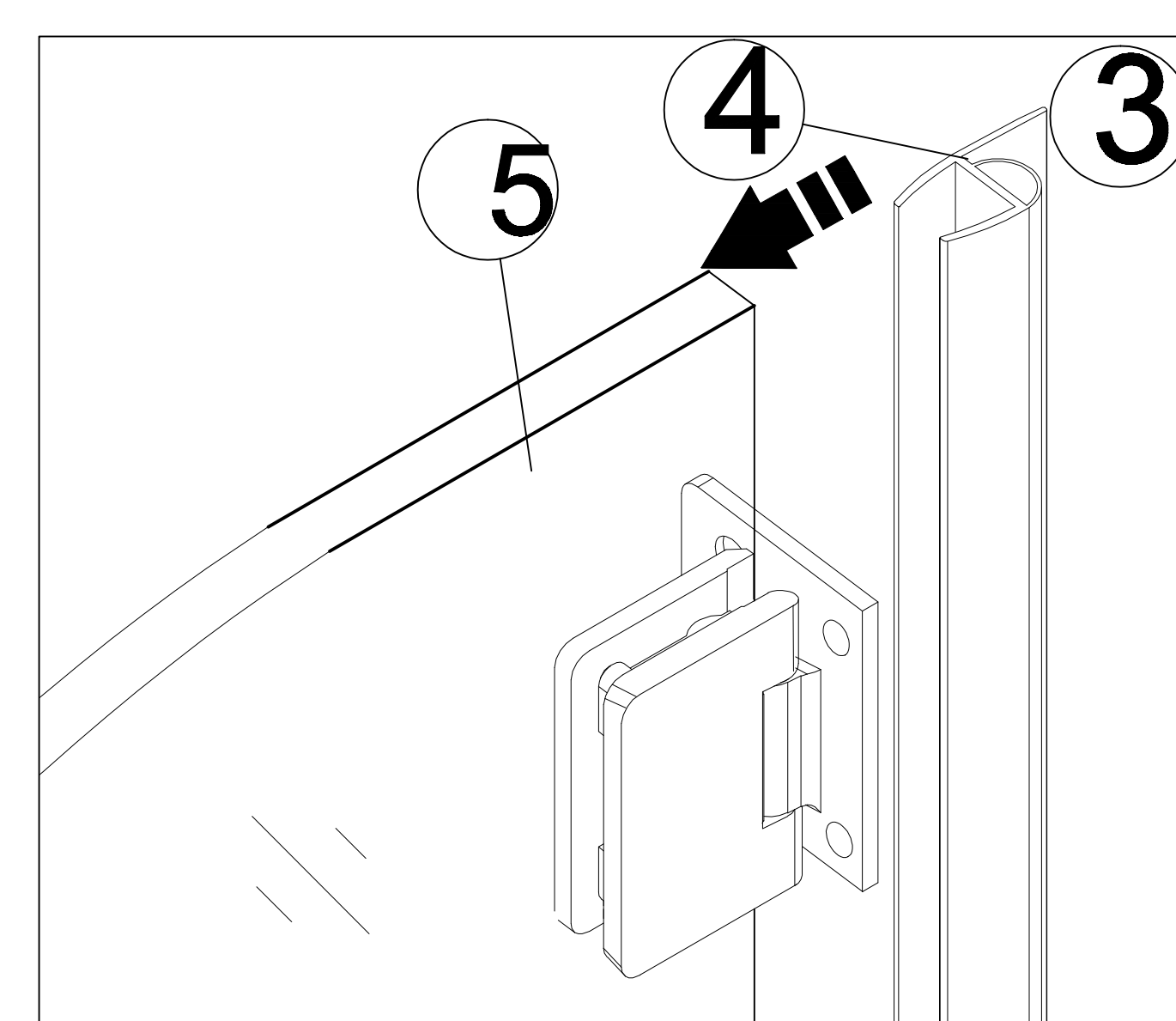
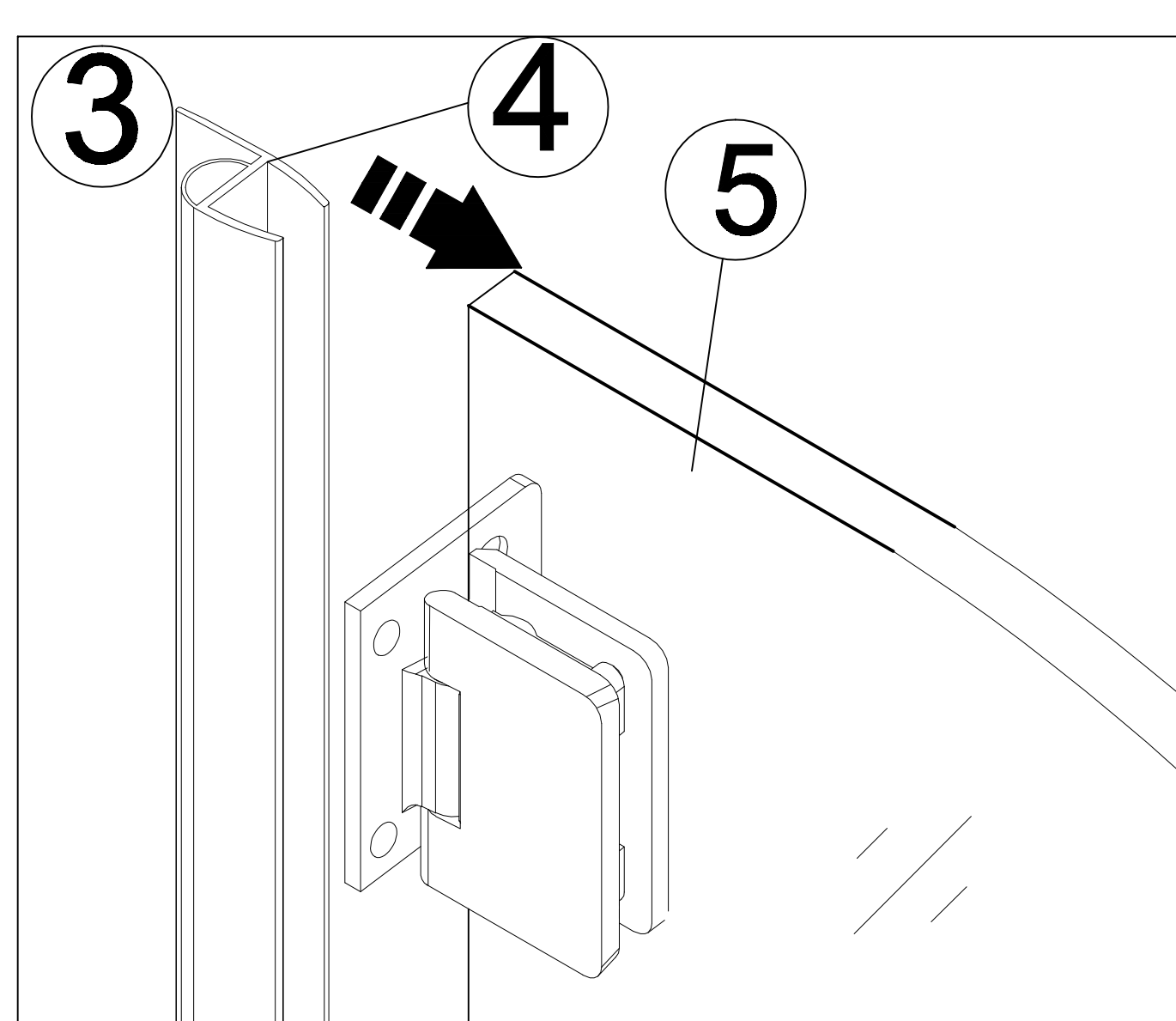
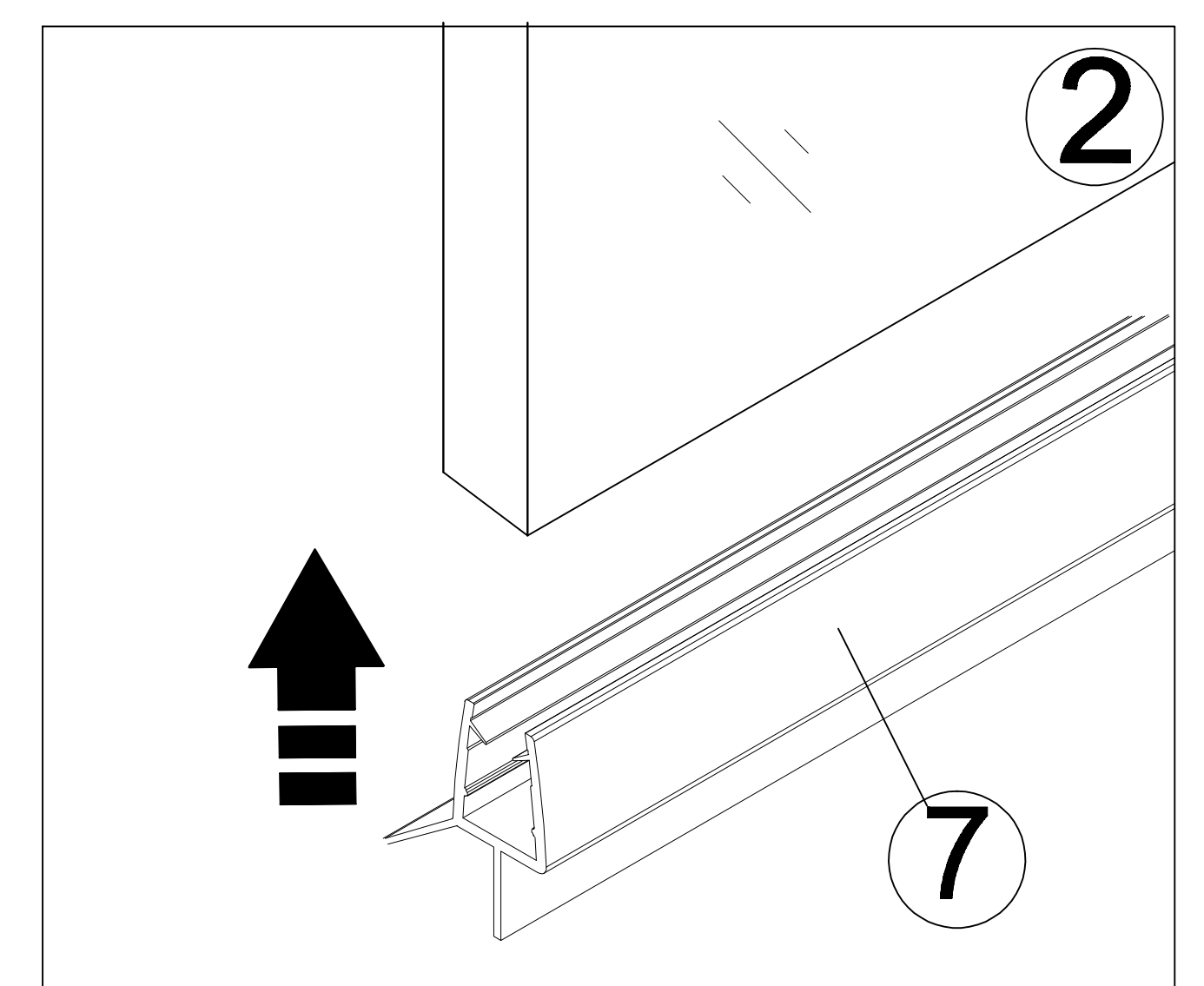
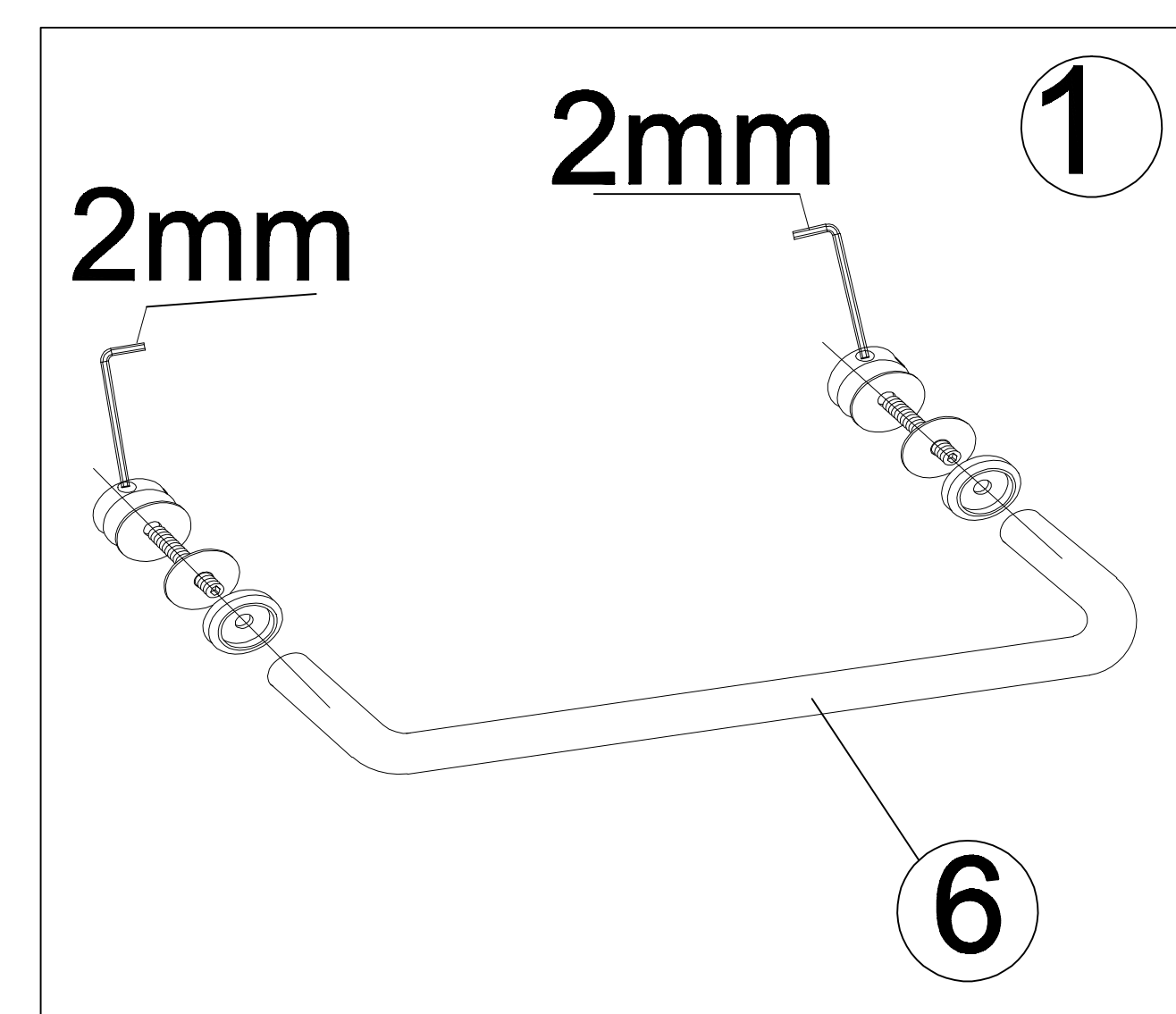
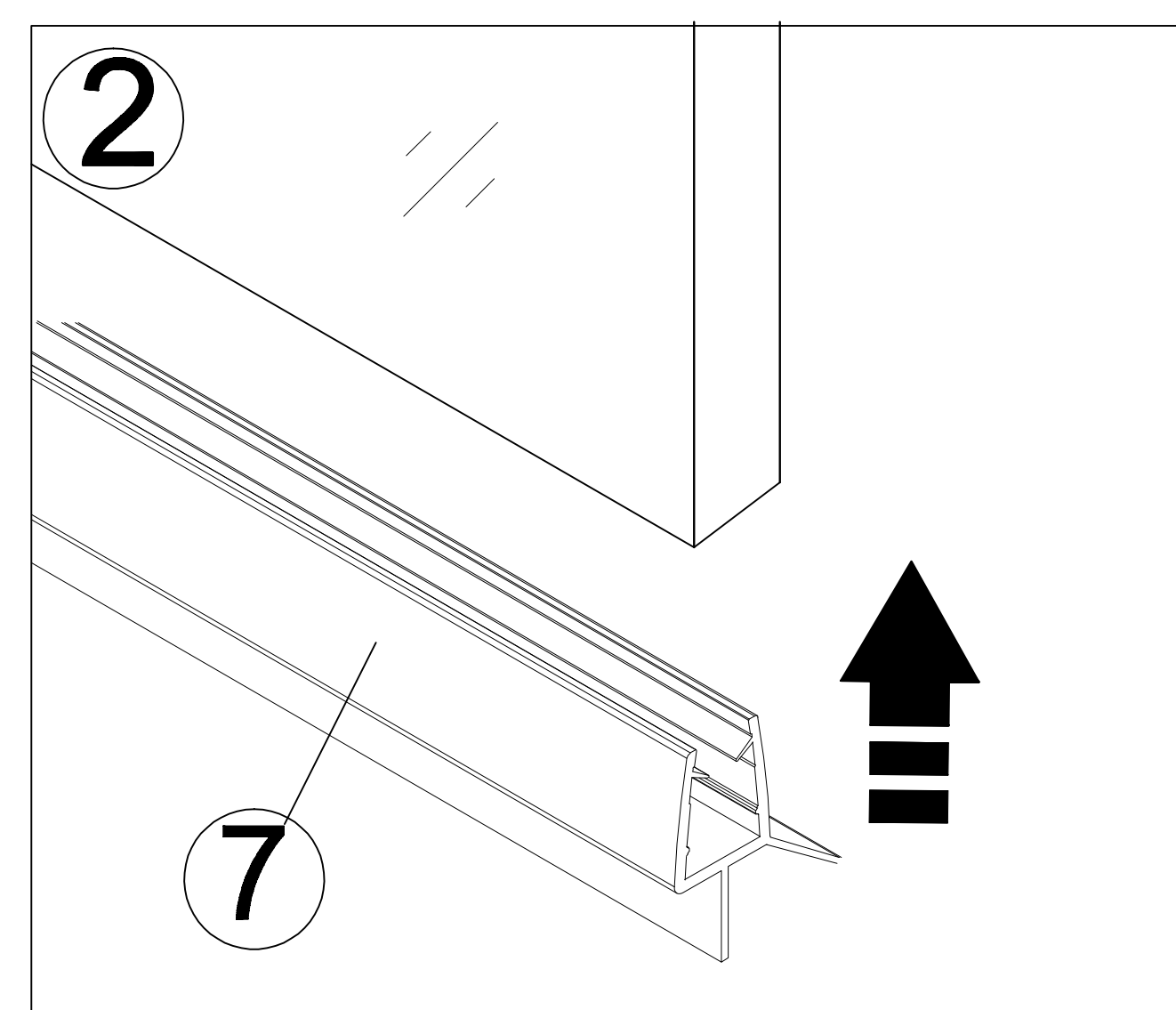
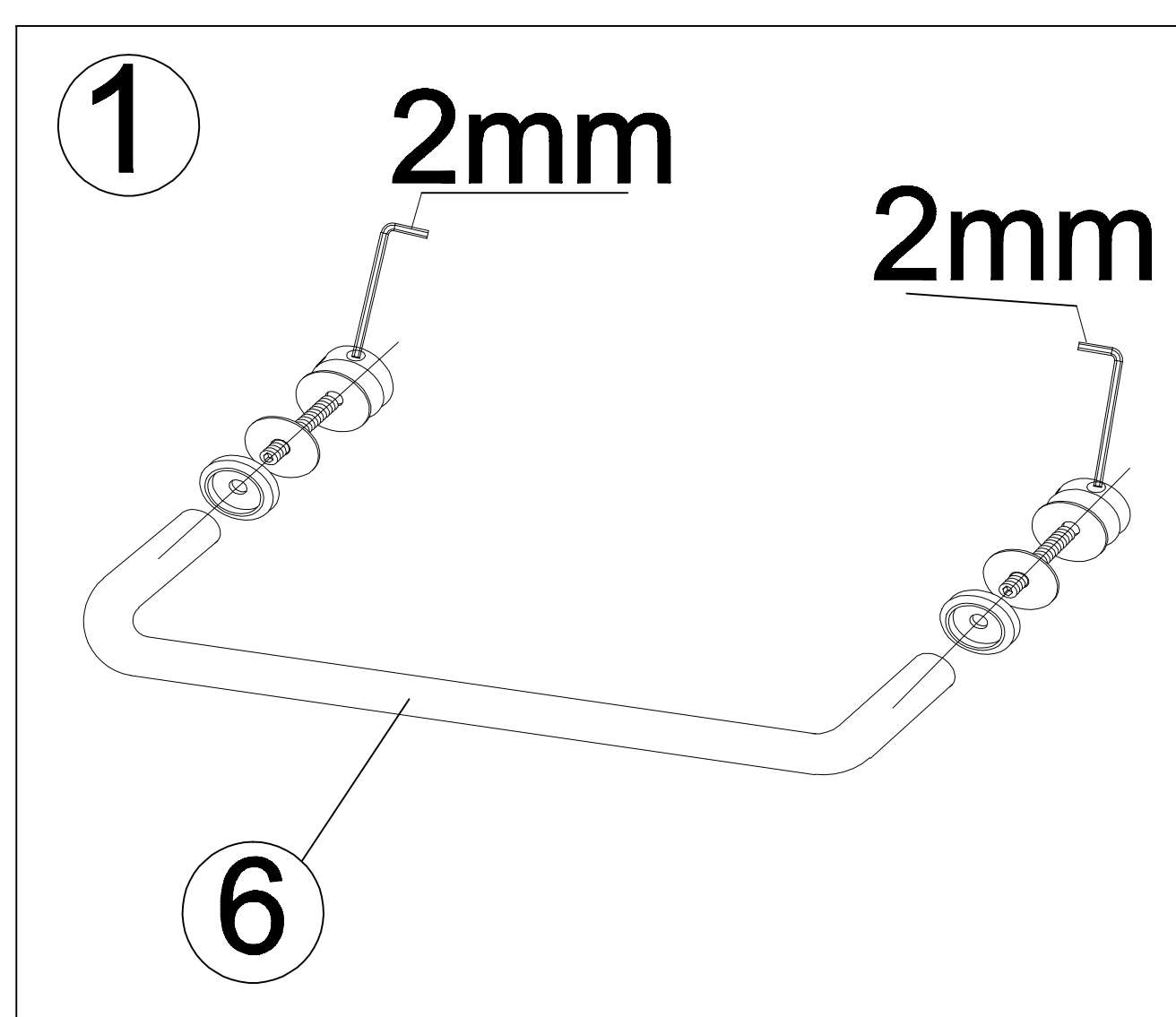
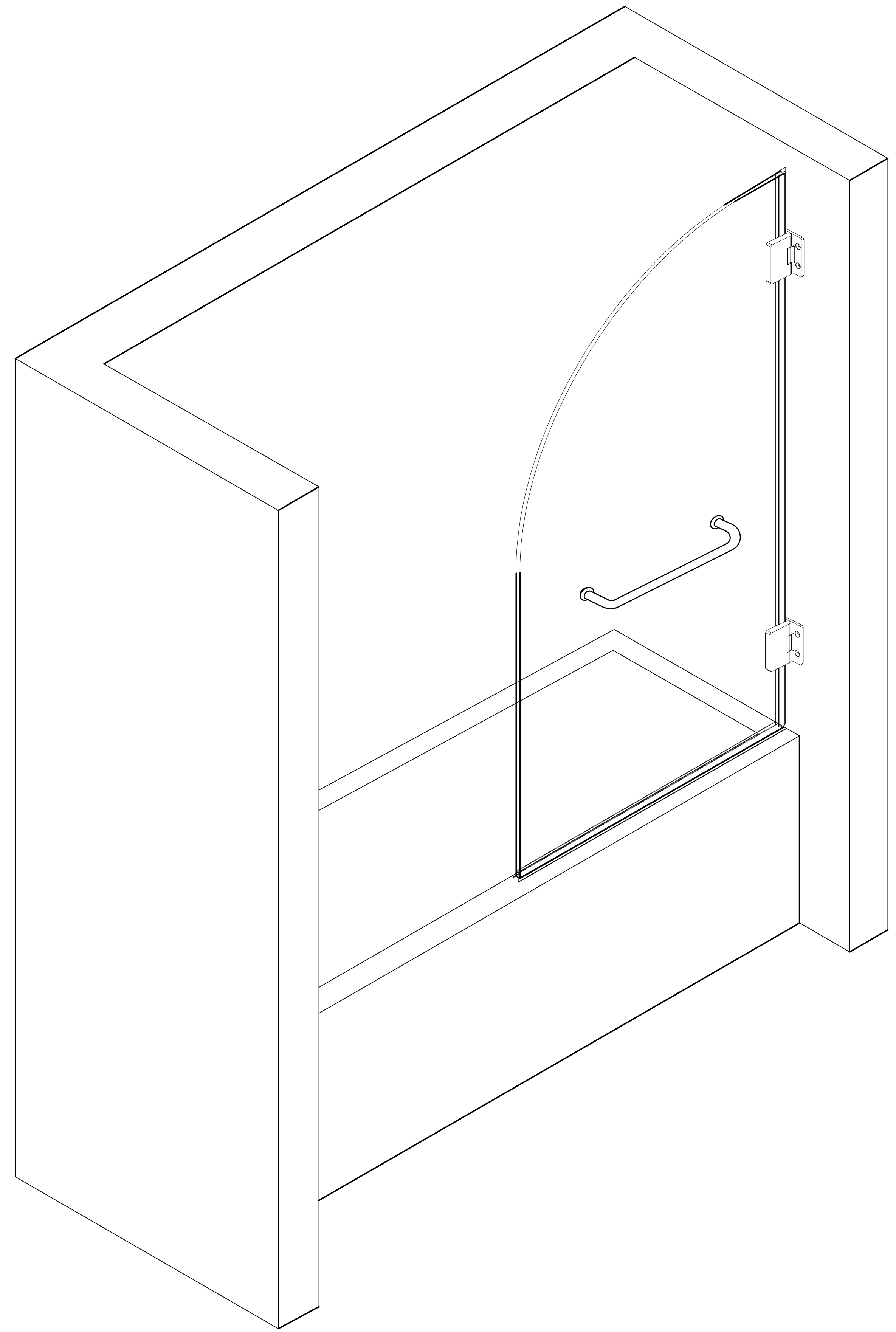
1. Assemble the door handle (6) onto shower screen door(5).
2. Assemble shower door bottom seal strip(7) to shower screen door(5).
3. Assemble shower door side seal strip(4) onto shower screen door(5).



Right Hand Assembly

STEP 3

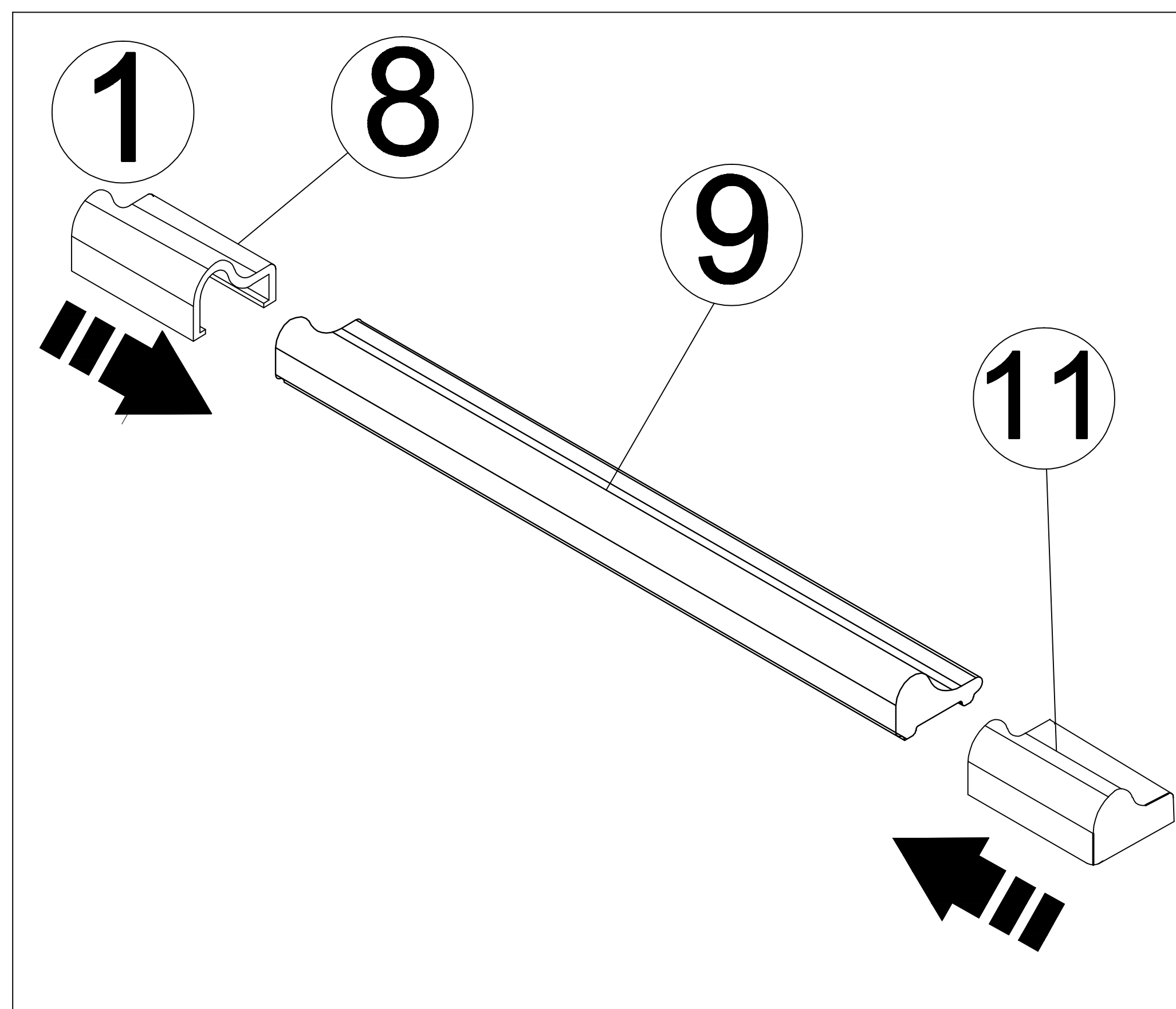
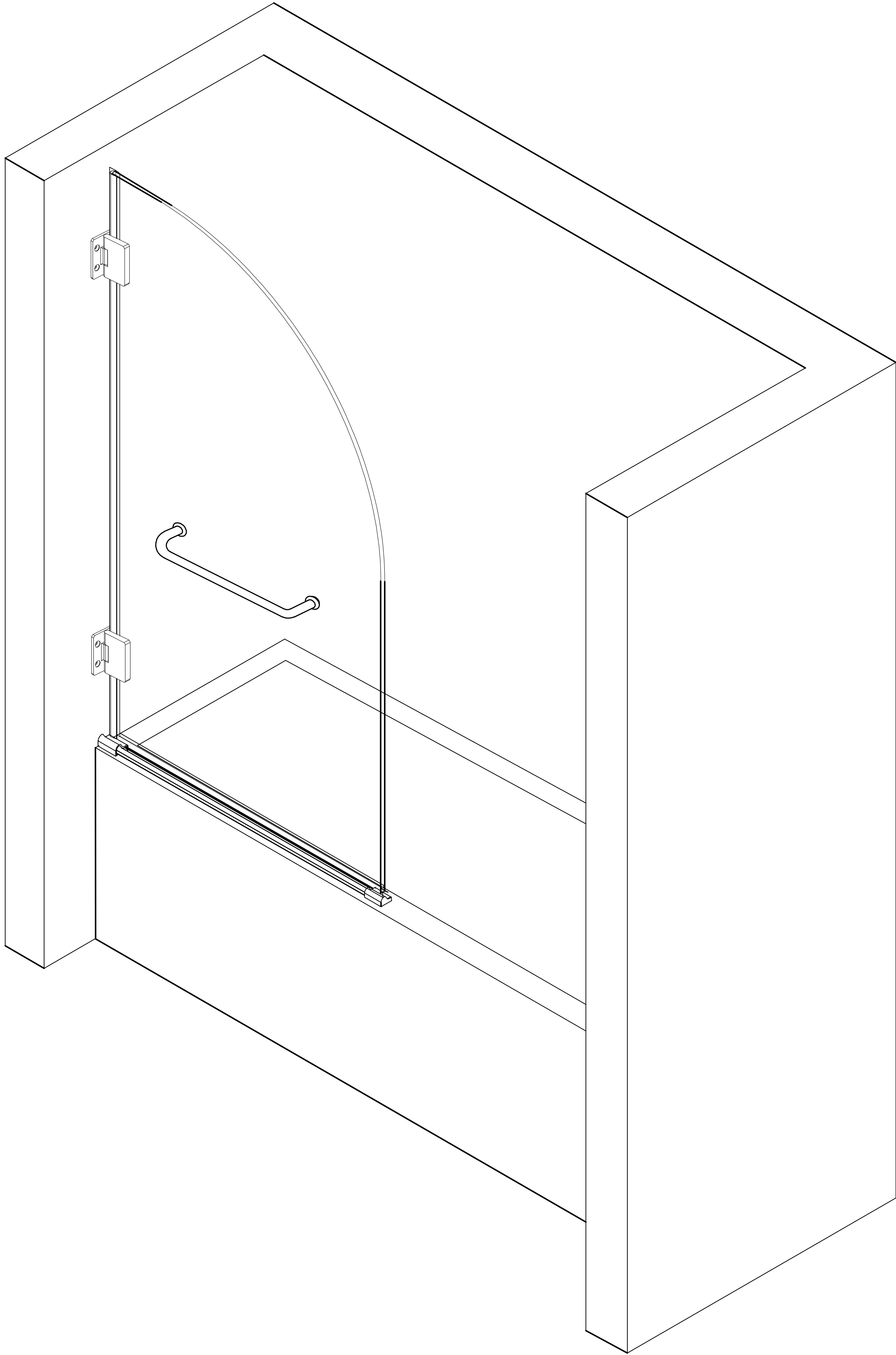
1. Assemble the door handle (6) onto shower screen door(5).
2. Assemble shower door bottom seal strip(7) to shower screen door(5).
3. Assemble shower door side seal strip(4) onto shower screen door(5).



Left Hand Assembly

STEP 4

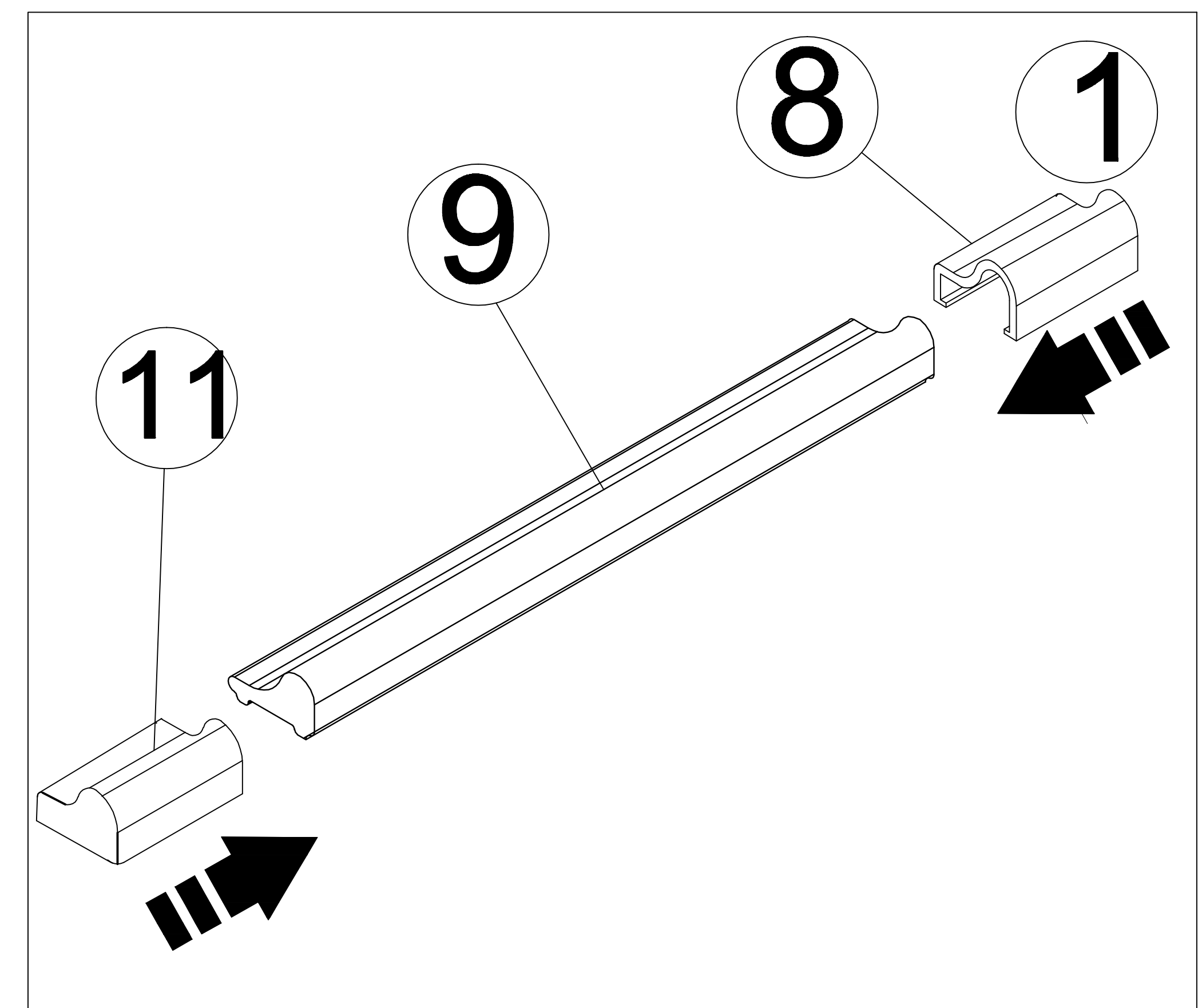
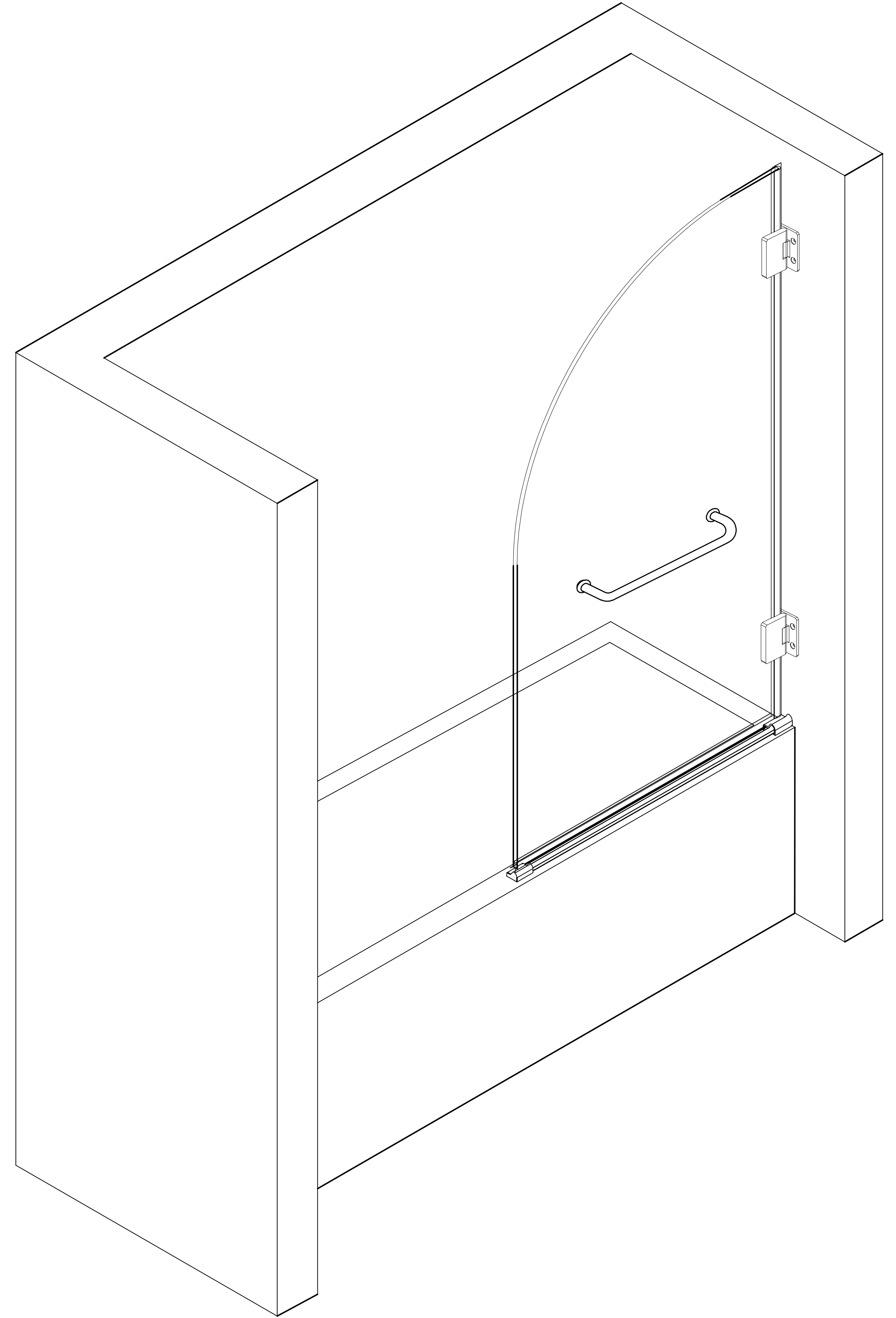
1. Assemble left-hand-side plastic connector(8) and right-hand-side plastic connector(11) to Aluminum strip(9).



Right Hand Assembly

STEP 4

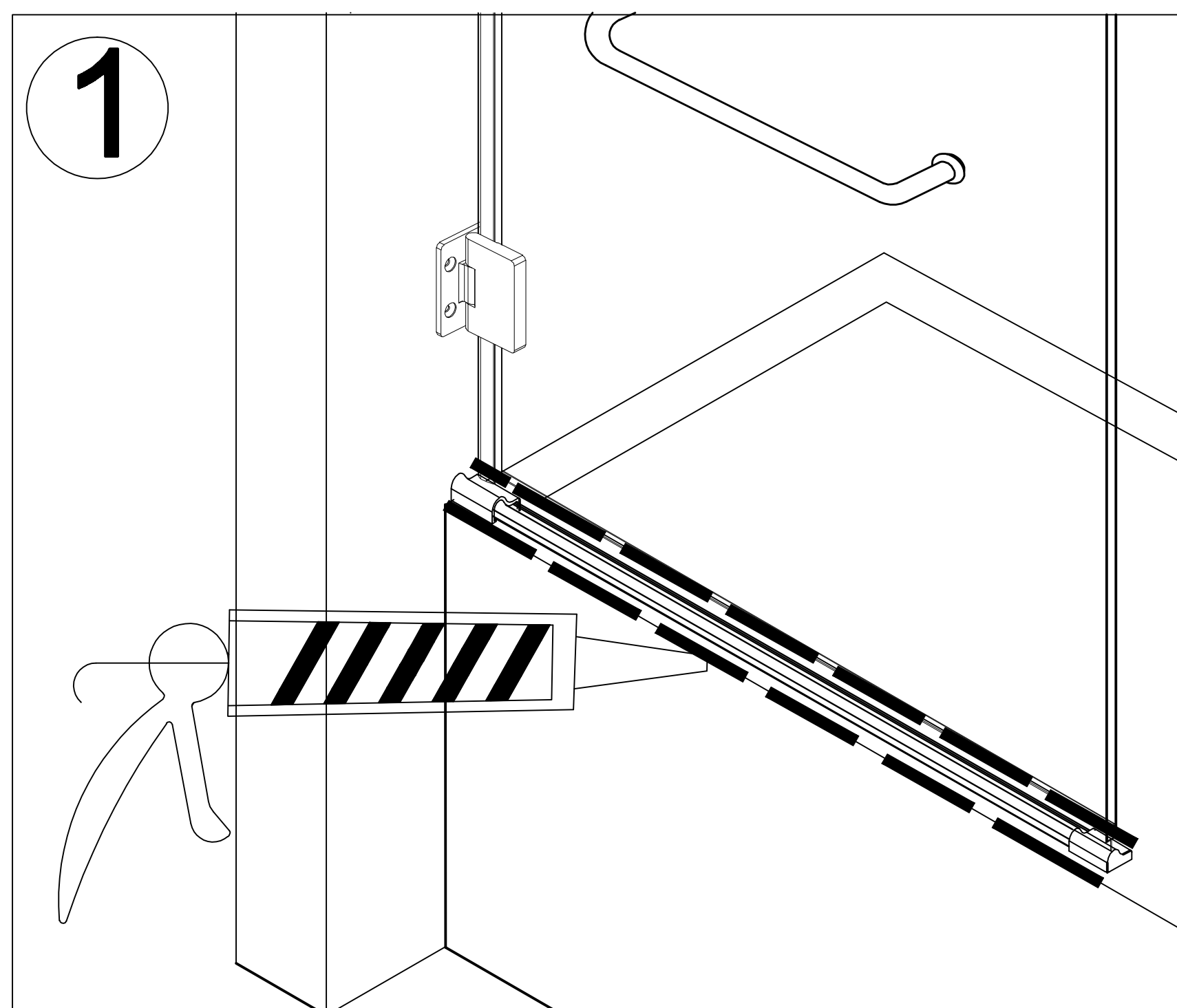
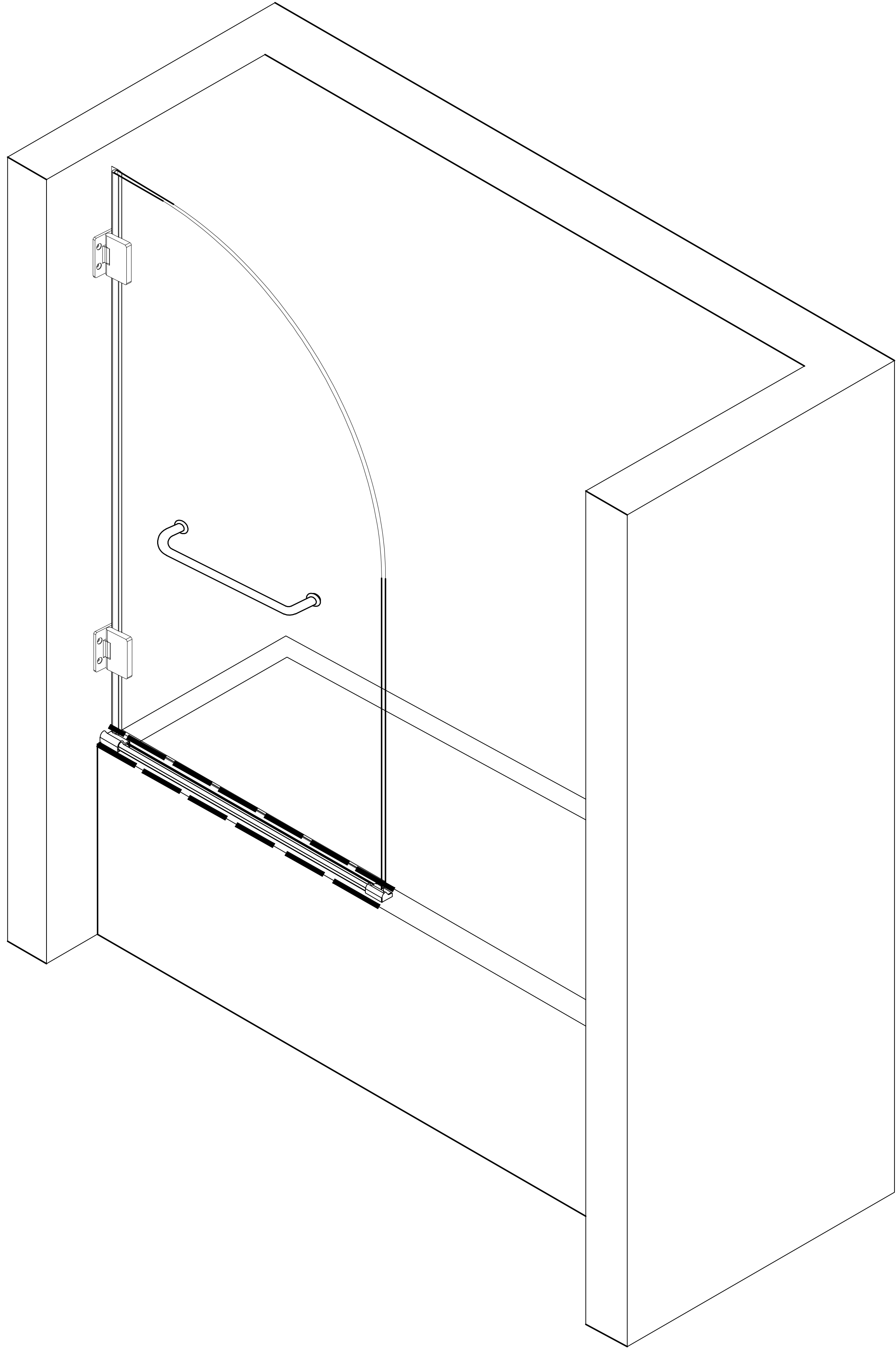
1. Assemble left-hand-side plastic connector(8) and right-hand-side plastic connector(11) to Aluminum strip(9).



Left Hand Assembly

STEP 5

1. Apply qualified mildew resistant silicone along the sides of Aluminum strip (9). Allow the silicone to dry for 24 hours before using the shower to ensure it's fully consolidated.



Right Hand Assembly

STEP 5

1. Apply qualified mildew resistant silicone along the sides of Aluminum strip (9). Allow the silicone to dry for 24 hours before using the shower to ensure it's fully consolidated.

