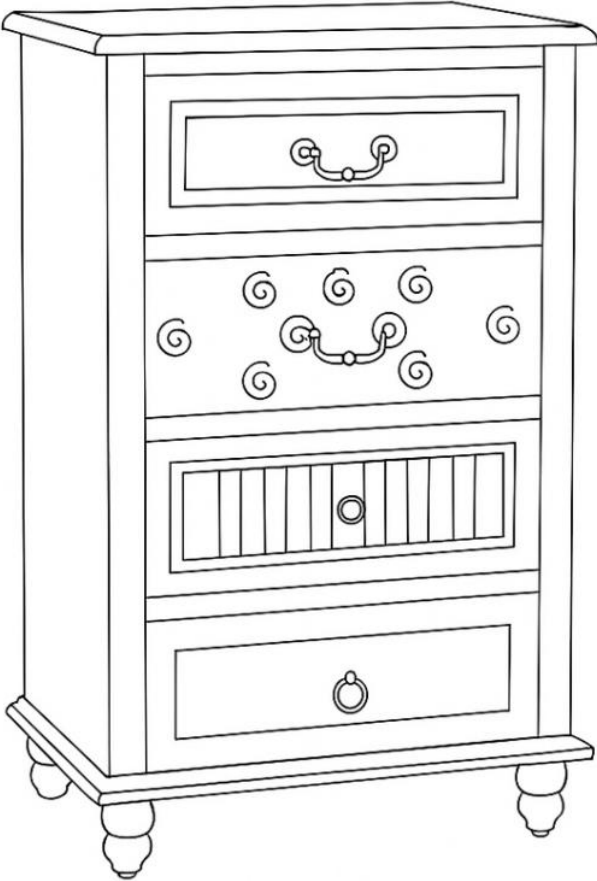


Ahokua

Assembly Instruction

Accent Cabinet




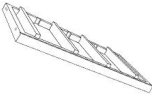
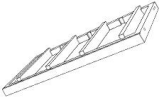








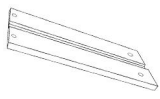
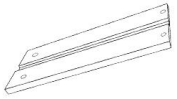
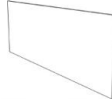





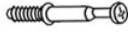

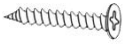














⚠ WARNING:

- Read all instructions carefully and completely before assembly and use.
- Retain for future reference.
- **DO NOT use power tools.**
- **DO NOT over-tighten hardware.**
- Periodically check all hardware and re-tighten as necessary.
- DO NOT sit or stand on product. Use only for intended purpose.
- DO NOT exceed 80lbs for the tabletop and 10lbs for each drawer, evenly distributed.

If you encounter any issues during installation or use, please email us at support@mi-din.com, including your order ID and a detailed description of the problem. If possible, please provide relevant images to expedite assistance. We will strive to resolve any issues promptly

Parts List

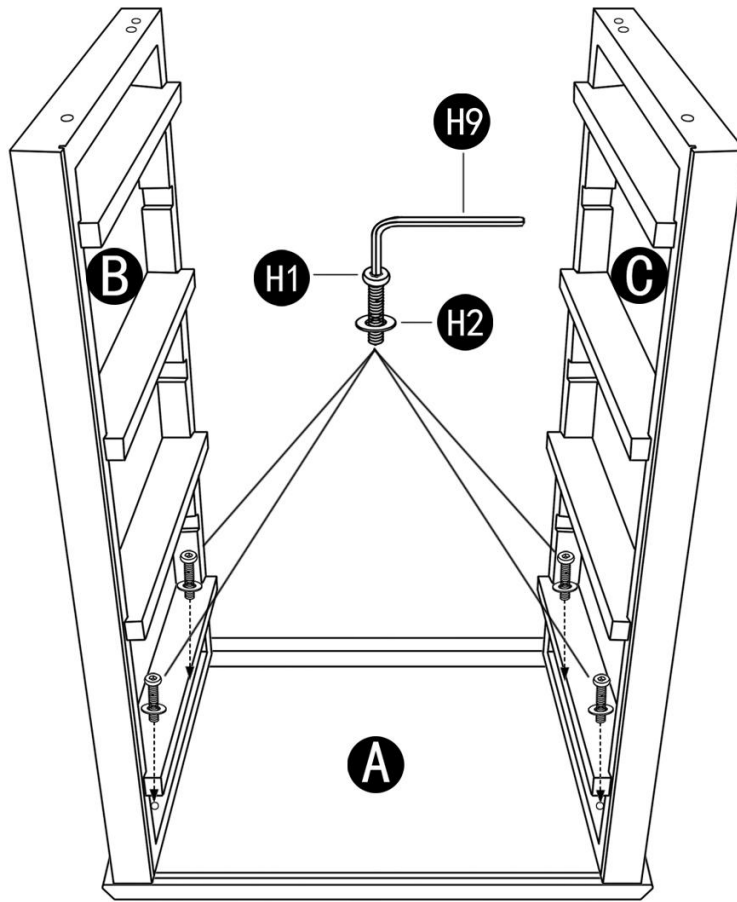
Check all parts before assembly

Item no.	Reference image	QTY.	Item no.	Reference image	QTY.	Item no.	Reference image	QTY.
A.		1	B.		1	C.		1
D.		3	E.		1	F.		1
G.		4	H.		1	I.		1
J.		1	K.		1	L.		4
M.		4	N.		4	O.		4
H1.		8+1	H2.		8+1	H3.	 Short	8+1
H4.		8	H5.		16+2	H6.		16+2
H7.	 Long	16+2	H8.		4	H9.		1
H10.		1	H11.		1	H13.		1
			H12.	 Smaller	2	H14.	 Bigger	2
H15.		1	H16.		1	H17.	 Long	1+1
H18.	 Middle	2+1	H19.	 Short	1	H20.		4+1
H21.	 Middle	4+1						

Step 1: Put the Top (A) on a soft surface to protect the finish.

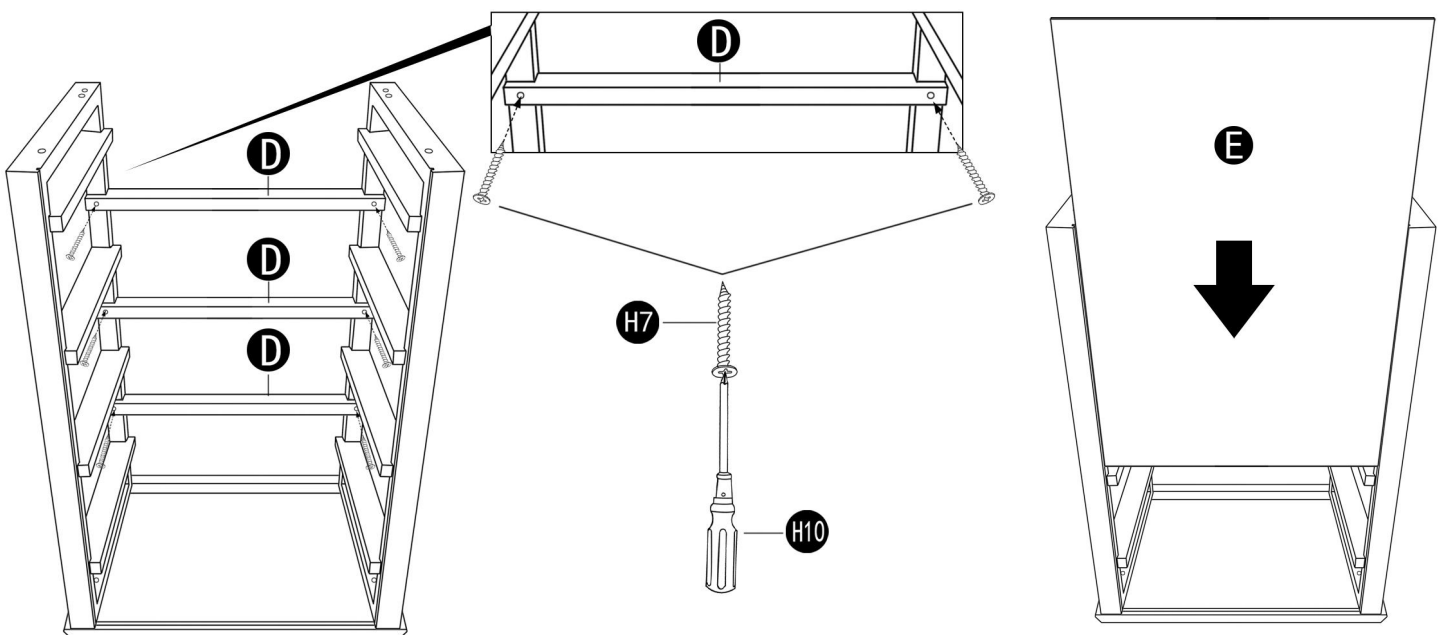
Attach the Panel (B&C) to Top (A) with Hex bolt (H1) & washer (H2) by Allen Key (H9) as shown below.

Leave hardware loose in this step.

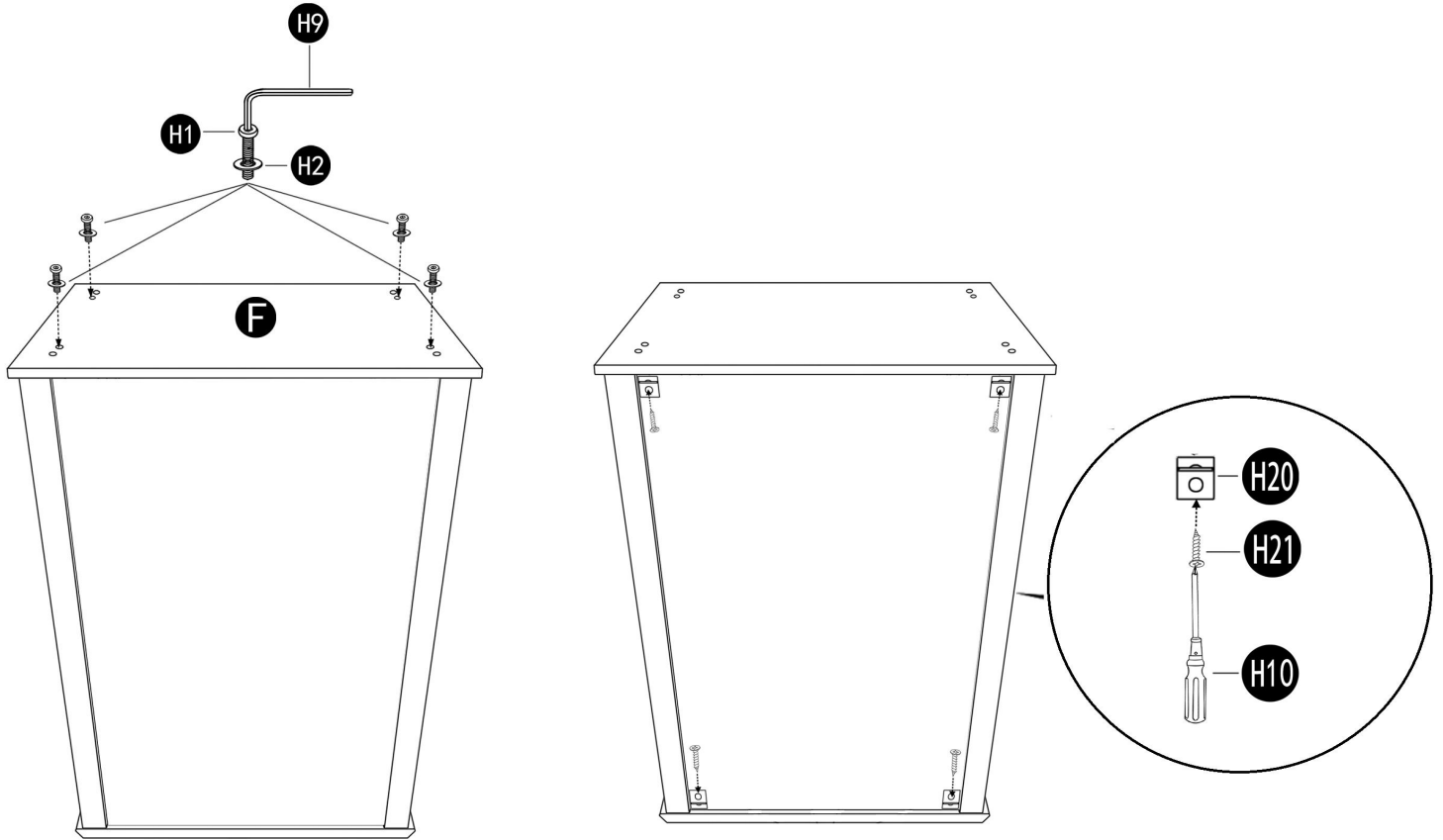


Step 2: Attach the Front wood strip (D) to Panel (B&C) with Screw (H7) by Spanner (H10) as shown below.

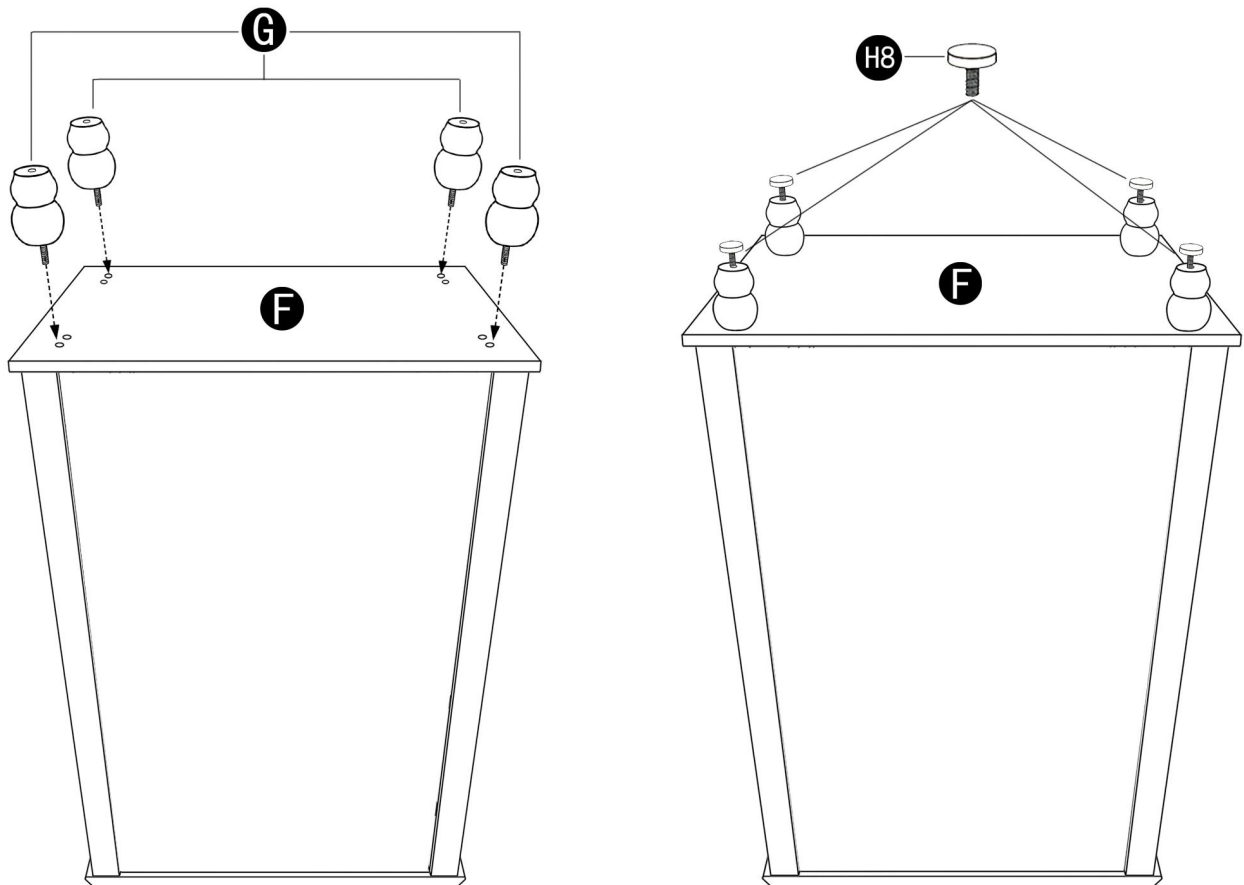
Leave hardware loose in this step. Insert Panel (E) to Panel (B&C) as shown below.



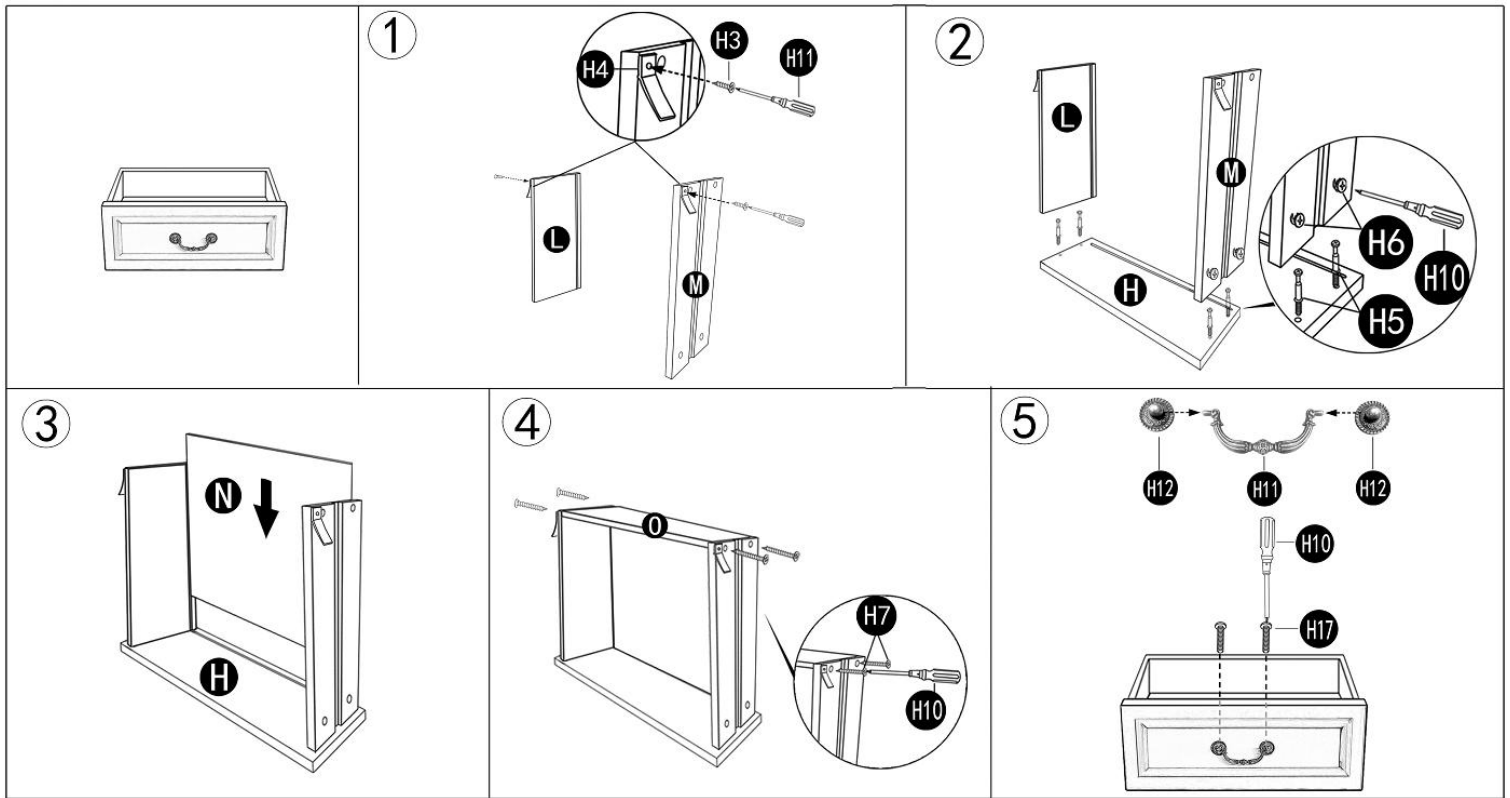
Step 3: Attach the Bottom panel (F) to the main body with Hex bolt (H1) & washer (H2) by Allen Key (H9) as shown below. **Ensure to fully tighten all bolts from Step 1 to 3. If necessary, attach (H20) to the back of the main body to enhance the stability with H21 by Spanner H10 as shown below.**



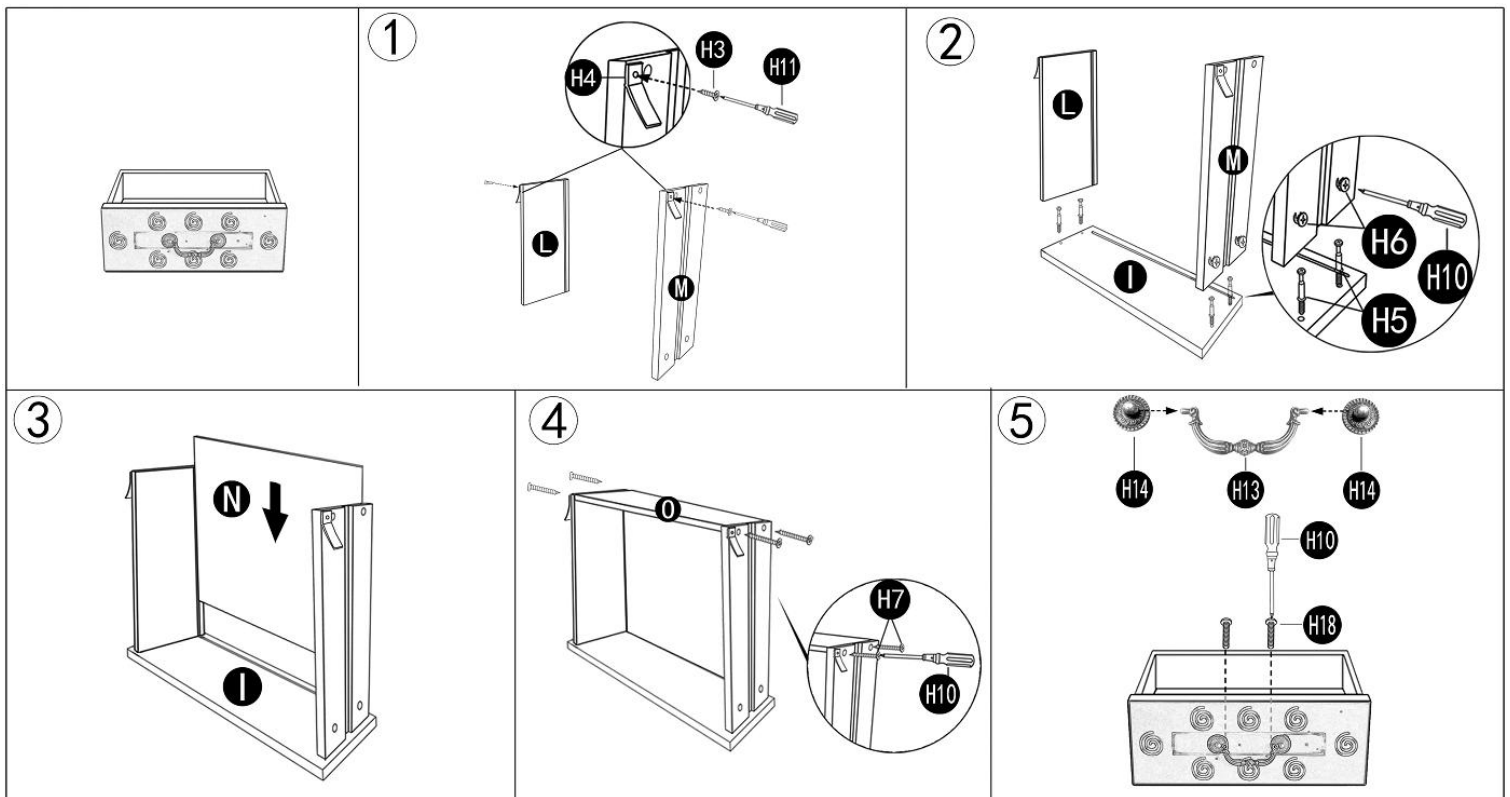
Step 4: Insert the threaded end of the Legs (G) into the Bottom panel (F) and turn it clockwise to tighten. Attach the Foot pad (H8) to the bottom of the legs as below right photo shown.



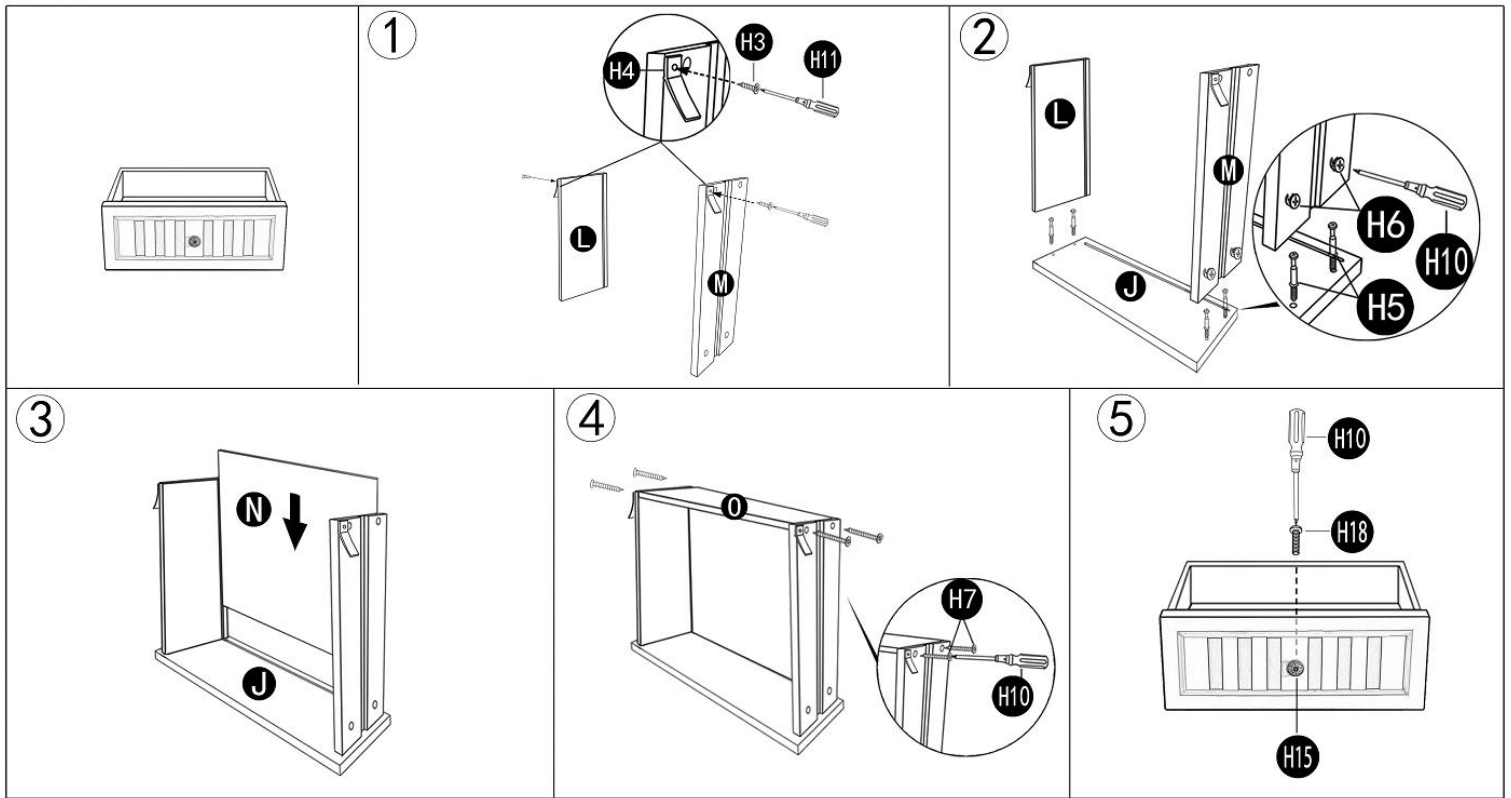
Step 5: Put the Top drawer's panel (**H/L/M/N/O**) on a soft surface to protect the finish.
 Ensure to use the **bolt (H17)** to attach handle (**H12**).



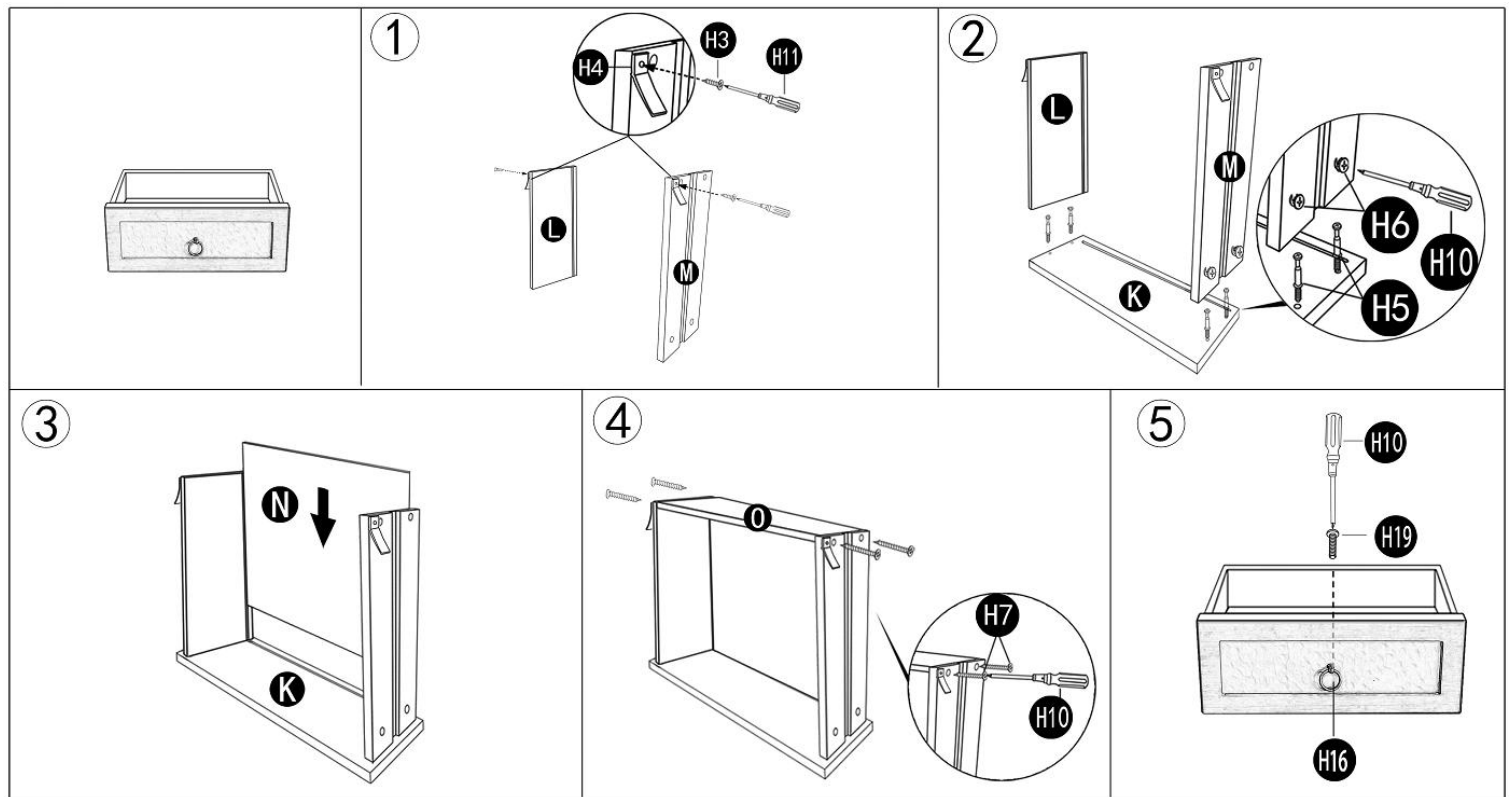
Step 6: Put the Second drawer's panel (**I/L/M/N/O**) on a soft surface to protect the finish.
 Ensure to use the **bolt (H18)** to attach handle (**H14**).



Step 7: Put the Third drawer's panel (**J/L/M/N/O**) on a soft surface to protect the finish.
 Ensure to use the **bolt (H18)** to attach knob (**H15**).



Step 8: Put the Bottom drawer's panel (**K/L/M/N/O**) on a soft surface to protect the finish.
 Ensure to use the **short bolt (H19)** to attach knob (**H16**).



Place all drawers to the main Body. Assembly finished.