

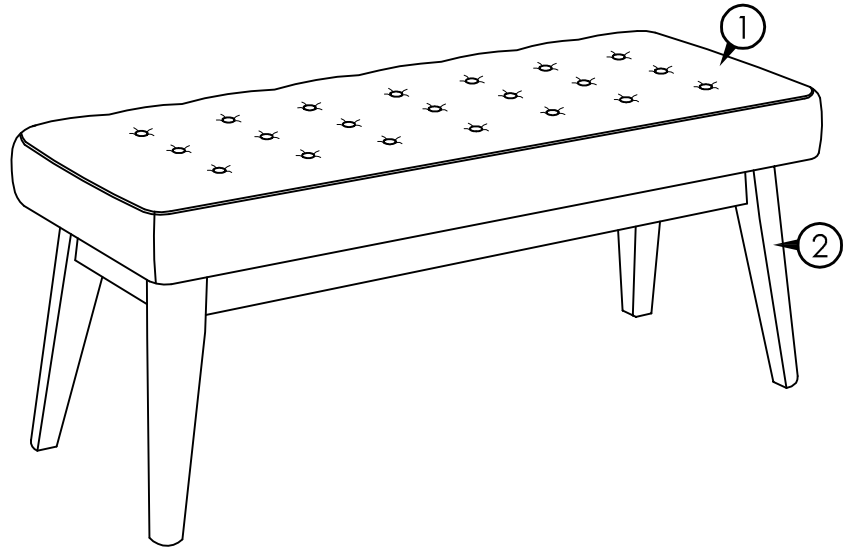
ASSEMBLY INSTRUCTIONS

IMPORTANT NOTE :

- * PLACE ALL WOODEN PARTS ON A CLEAN AND SMOOTH SURFACE SUCH AS A RUG OR CARPET TO AVOID THE PARTS FROM BEING SCRATCHED.
- * BEFORE YOU BEGIN, KINDLY FOLLOW THE ASSEMBLY INSTRUCTIONS STEP BY STEP.

| HARDWARE LIST | | |
|---------------|---|------|
| A | JCBC M6 x 60mm + S/W M6 + F/W M6 x 19mm | 8PCS |
| B | ALLEN KEY M4 | 1PC |

| PART LIST | | |
|-----------|-----------|------|
| 1 | BENCH TOP | 1PC |
| 2 | BENCH LEG | 4PCS |



COMPLETED BENCH ASSEMBLY.

STEP 1

