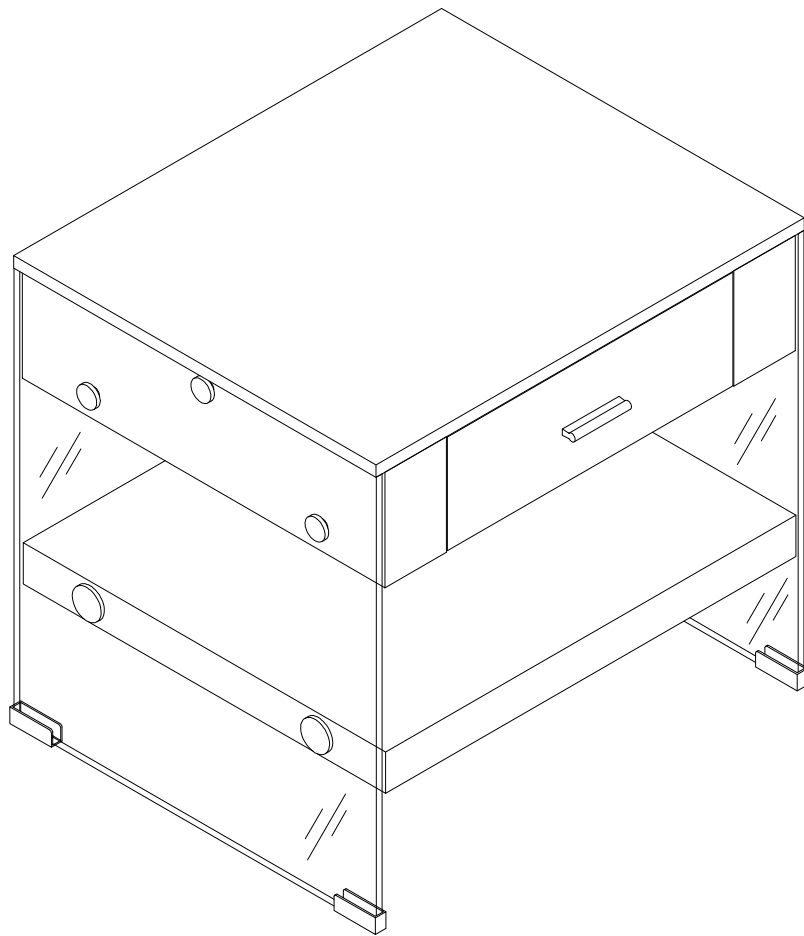


Assembly Instructions



ASSEMBLY RATING

The Assembly Rating is a 5-point system that shows the degree of effort needed in assembling a specific product (with 1 being easy and 5 being difficult). For some products, two persons are recommended.

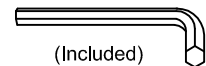
EASY



DIFFICULT

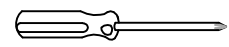
Tools Required For Assembly:

Allen Wrench

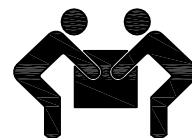


(Included)

Phillips Screwdriver



(Not Included)



2 PERSONS RECOMMENDED

ASSEMBLY & CARE ADVICE

FOR YOUR FURNITURE TO LAST, CORRECT ASSEMBLY AND PROPER MAINTENANCE ARE NECESSARY. PLEASE FOLLOW THE INFORMATION PROVIDED BELOW TO FULLY ENJOY YOUR FURNITURE.

BASIC ASSEMBLY TECHNIQUES



When lock or spring washer is used in an assembly, please make sure the lock or spring washer is placed between the larger flat washer and the head of the screw or bolt.



Position each part correctly and insert screws or bolts into their respective holes by hand tighten or using the proper hand tool. Only tighten when step is completed or when instructed to do so.



Use cardboard or carpet area when assembling furniture to prevent scratches. Make sure the furniture rests on a flat and level surface with each leg evenly touching the floor.



Some furniture comes with height adjustment knobs underneath each leg. To lower or to raise each leg, you need to turn clockwise or counterclockwise, respectively.

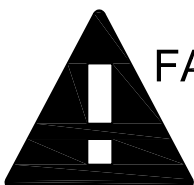


Make sure all parts are properly aligned, then use the appropriate hand tool to completely tighten the bolts or screws. Do not use power tools and do not overtighten.

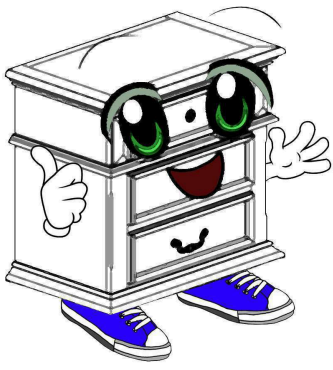


Save the instructions and store the Allen wrench or any supplied tool for later maintenance. After two weeks, check and tighten any loose hardware and repeat again every six months thereafter.

IT IS THE USER'S RESPONSIBILITY TO MAINTAIN THE FURNITURE. THE HARDWARE MAY LOOSEN OVER TIME AND MAY CAUSE THE FURNITURE TO BE WOBBLY AND UNABLE TO SUPPORT ITS INTENDED WEIGHT CAPACITY. THIS MAY LEAD TO COLLAPSE AND MAY CAUSE SERIOUS INJURY.



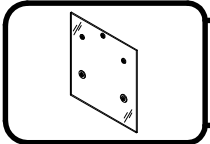
FAILURE TO FOLLOW THE GUIDELINES ABOVE MAY RESULT IN INJURY AND/OR PROPERTY DAMAGE.



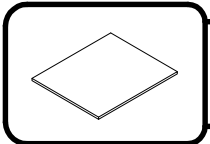
Before you begin, please read Page 2 of "Assembly and Care Advice".

And remember, do not tighten until each step is completed or instructed.

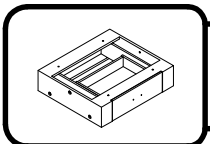
Parts List



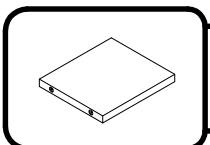
#1 x 2pcs
Side Glass



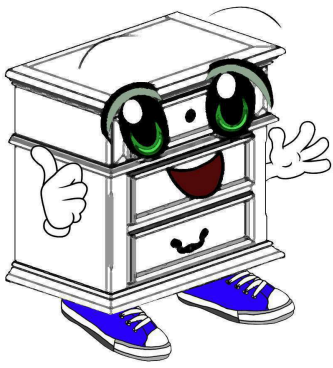
#2 x 1pc
Top



#3 x 1pc
Cabinet



#4 x 1pc
Bottom Shelf



Before you begin, please read Page 2 of "Assembly and Care Advice".

And remember, do not tighten until each step is completed or instructed.

Hardware List



#A x 6pcs
Bolt 5/16"x 5/8"



#J x 2pcs
Bolt 3/16"x 3/4"



#B x 4pcs
Rod M8x50



#K x 2pcs
Washer Ø12xØ5x0.8



#C x 4pcs
Nut M8



#L x 4pcs
Bolt 1/4"x 1"



#D x 1pc
Allen Wrench M5



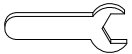
#M x 1pc
Allen Wrench M4



#E x 4pcs
Floor Protector



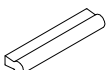
#F x 6pcs
Washer Ø20xØ10x1.5



#G x 1pc
Hex Wrench



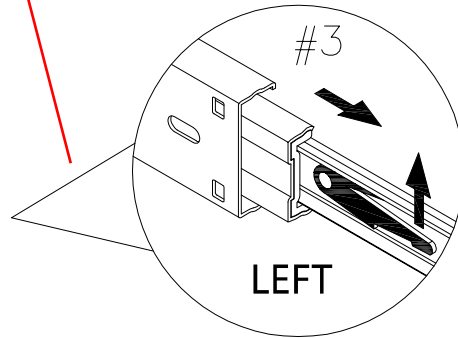
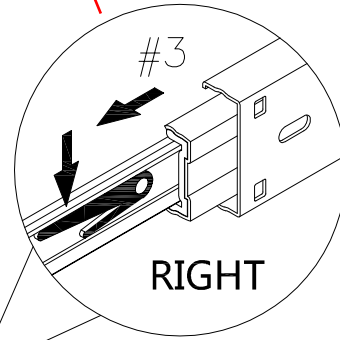
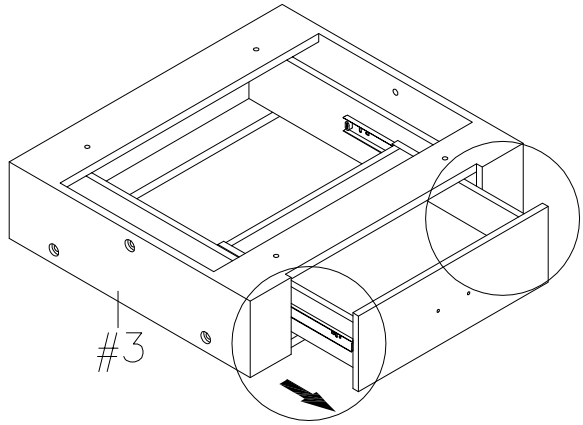
#H x 4pcs
Moon Washer



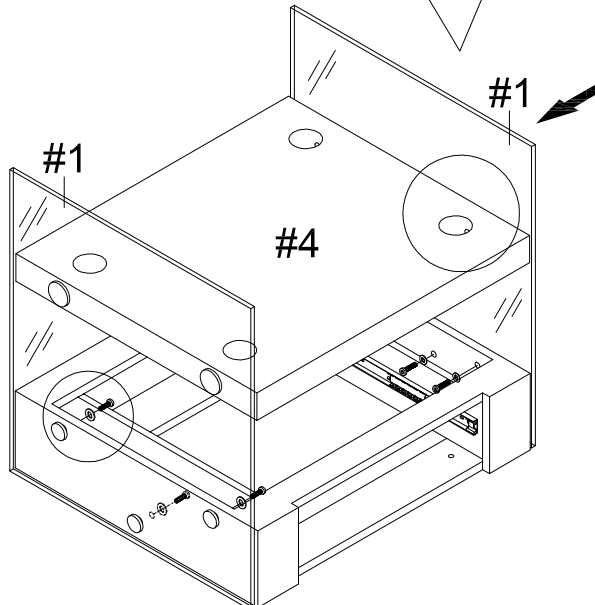
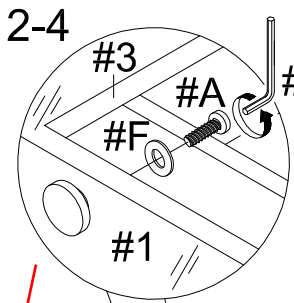
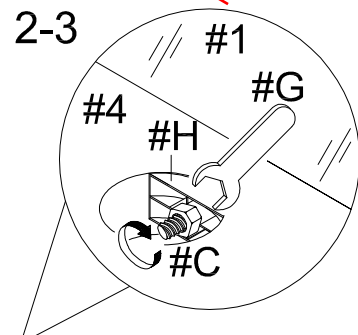
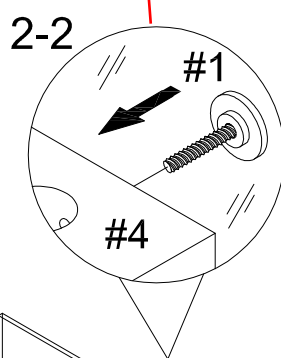
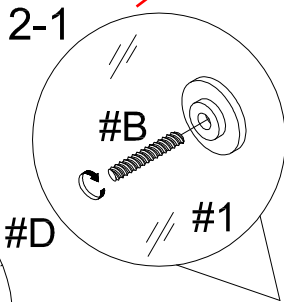
#I x 1pc
Handle



To remove the drawer from the cabinet (#3); extend the drawer until you see a black lever on the rails. As shown in the picture, push the right rail down and push the left rail up, then all together you can pull out the drawer.



1) Attach rod to the big holes of the side glasses (#1). Insert the rod attached to side glasses (#1) through the holes of bottom shelf (#4). Insert moon washer (#H) to the rod, then secure with hexnut (#C).



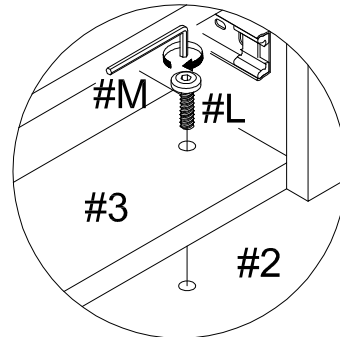
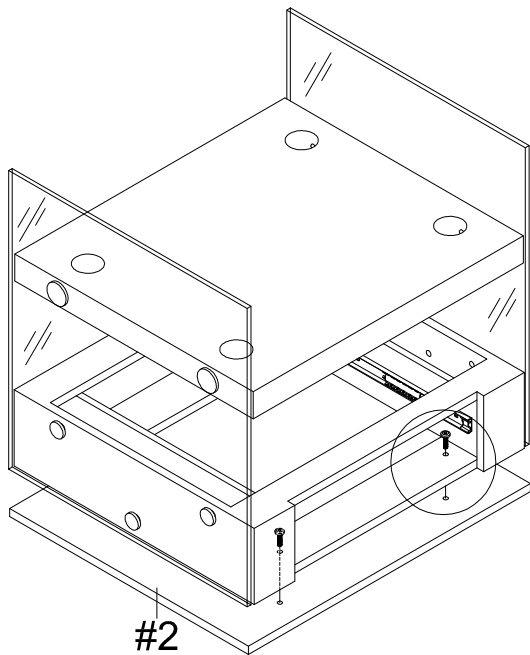
- #A x 6pcs
- #B x 4pcs
- #C x 4pcs
- #F x 6pcs
- #H x 4pcs

2) Align bottom holes of the side glasses (#1) to the holes of the cabinet. Secure with bolts (#A) that has a flat washer attached to the bolts (#A).

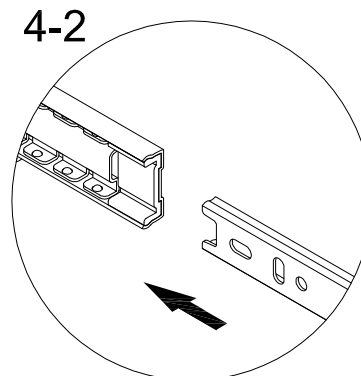
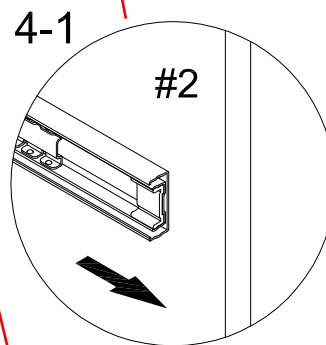
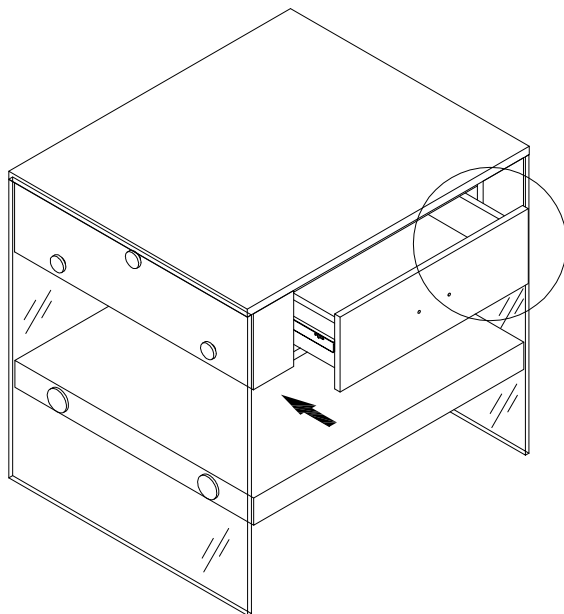


Align cabinet to the holes of the top panel (#2), then secure with bolts (#L).

#L x 4pcs



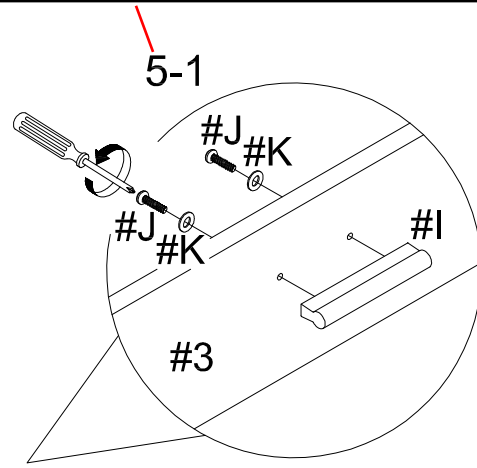
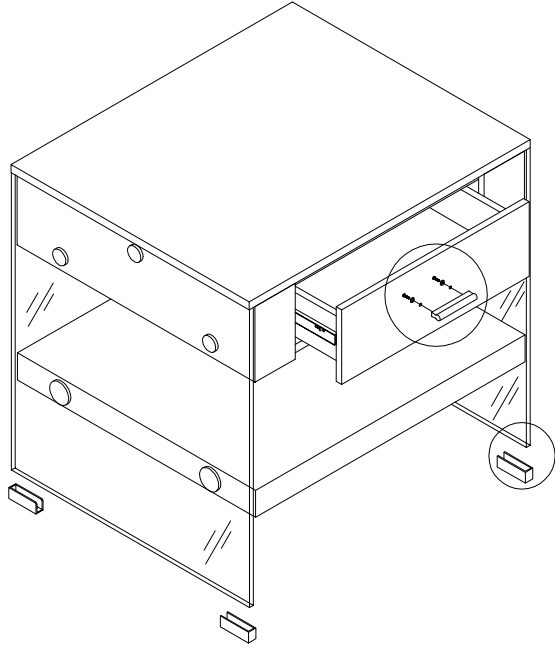
Insert the drawer back into the cabinet by aligning the side rails to each other. Push the drawer all the way in until the rails from the drawer connects through the black lever of the rails connected to the cabinet.



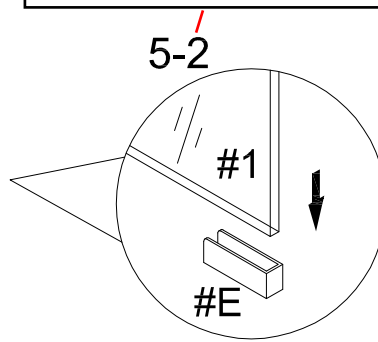


#E x 4pcs
#I x 1pc
#J x 2pcs
#K x 2pcs

1) Align handle to the holes of the drawer, then secure with bolts (#J) with flat washer (#K).



2) Insert floor protector (#E) onto the bottom corners of the side glasses (#1).



Assembly Completed

