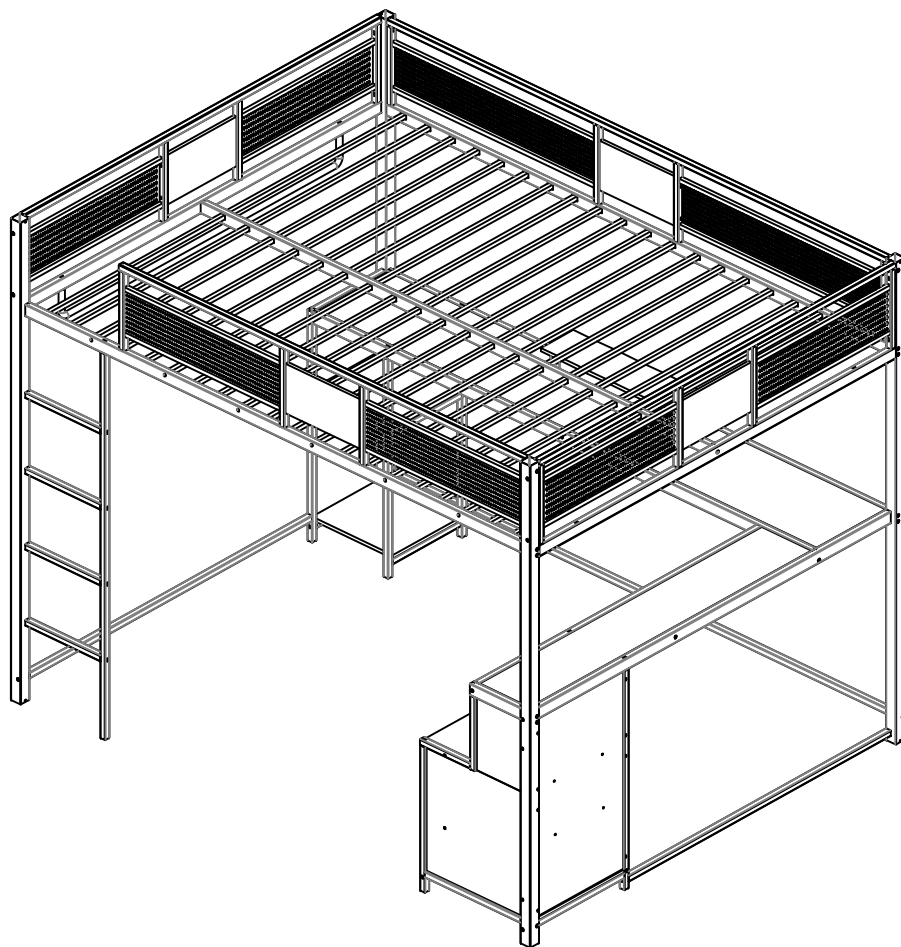


THE BED ASSEMBLY INSTRUCTIONS



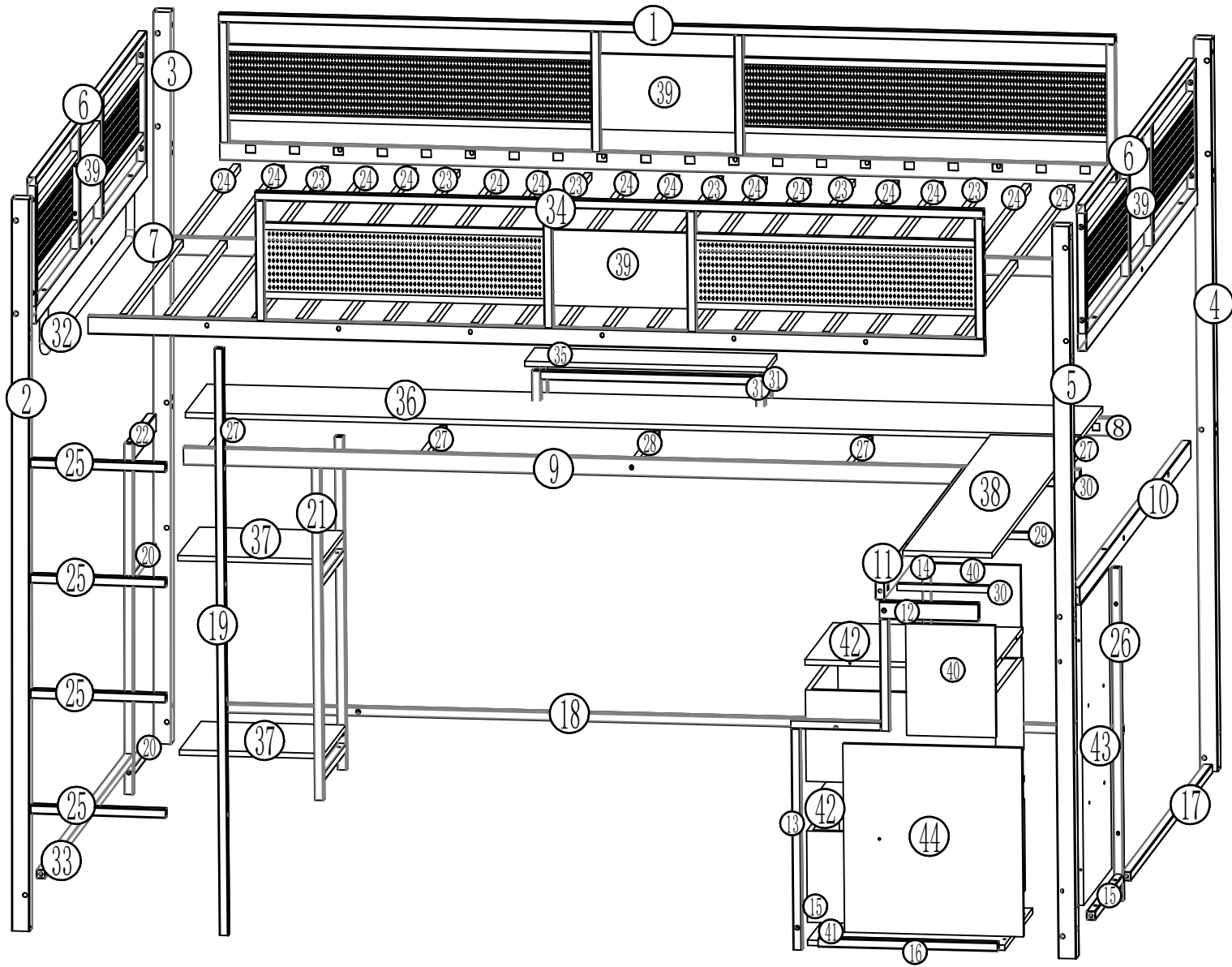
SAFETY WARNINGS AND GENERAL NOTES:

1. Follow the information on the warnings on the bunk bed end structure and on the carton. Do not remove the warning label from the bed.
2. Always use the recommended size mattress on mattress support, or both, to help prevent the likelihood of entrapment or falls.
3. Do not allow children under 6 years of age to use the upper bunk.
4. Periodically check and ensure the guardrail, ladder and other components are in their proper position, free from damage, and all connectors are tight.
5. Do not allow horseplay on or under beds.
6. Always prohibit jumping on the bed.
7. Prohibit more than one person on upper bunk.
8. Always use the ladder for entering and leaving the upper bunk.
9. Do not use substitute parts. Contact the manufacturer or dealer for replacement parts.
10. Use of a night-tight may provide added safety precaution for a child using the upper bunk.
11. Always use guardrails on both long sides of the upper bunk.
12. If the bunk bed will be placed next to a wall, the guardrail that runs the full length of the bed should be placed against the wall to prevent entrapment between the bed and the wall.



































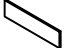





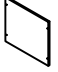


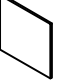

The use of water or sleep flotation mattresses is prohibited.

13. **STRANGULATION HAZARD**-Never attach or hang items to any part of the bunk bed that are not designed for use with the bed; for example, but not limited to, hooks, belts and jump ropes.
 14. Keep these instructions for future reference.
 15. We recommend assembling your bunk bed on the shipping carton to protect your floor or carpet.
 16. Be certain all staples are out of the box before beginning assembly on the shipping carton.
 17. USE ONLY MATTRESSES WHICH ARE AS THE TABLE BELOW ON UPPER AND ON LOWER BUNKS.
- | Up bed (bunk bed and tribed included) | | Length | Width | Thickness |
|---------------------------------------|-------------|---------|---------|-----------|
| Mattress size | | | | |
| TWIN | XL Standard | 79"-80" | 38"-39" | 8" |
18. SURFACE OF MATTRESS MUST BE AT LEAST 5"(127MM) BELOW THE UPPER EDGE OF GUARDRAILS.
 19. Replacement Parts:
Replacement Parts, including additional guardrails, may be obtained from any of our (Shenzhen Yuefeng Zhiqi Technology Co., Ltd) dealers.











Bed parts view



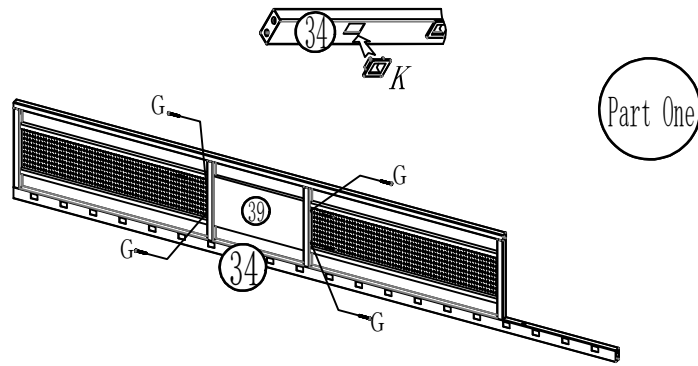
Part List

						
1-1pcs	2-1pcs	3-1pcs	4-1pcs	5-1pcs	6-2pcs	7-1pcs
						
8-1pcs	9-1pcs	10-1pcs	11-1pcs	12-1pcs	13-2pcs	14-1pcs
						
15-2pcs	16-2pcs	17-1pcs	18-1pcs	19-1pcs	20-2pcs	21-1pcs
						
22-1pcs	23-6pcs	24-14pcs	25-4pcs	26-1pcs	27-1pcs	28-4pcs
						
29-1pcs	30-2pcs	31-2pcs	32-1pcs	33-1pcs	34-1pcs	35-1pcs
						
36-1pcs	37-2pcs	38-1pcs	39-4pcs	40-2pcs	41-1pcs	42-2pcs
						
43-1pcs	44-2pcs	45-2pcs				

Hardware List

									
C	D	E	F	K	R	G	H	U	T
8*35 27PCS	8*55 48PCS	6*25 16PCS	8*15 12PCS	40PCS	M4*25 16PCS	M4*35 42PCS	4*50-6PCS	U-2PCS	T-4PCS

Step 1

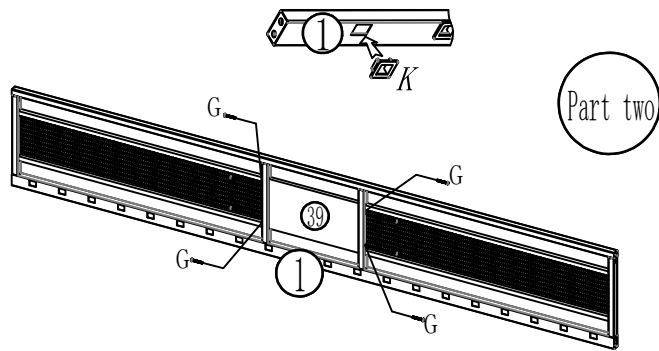


G
M4*35
4PCS

K
20PCS

M

Step 2

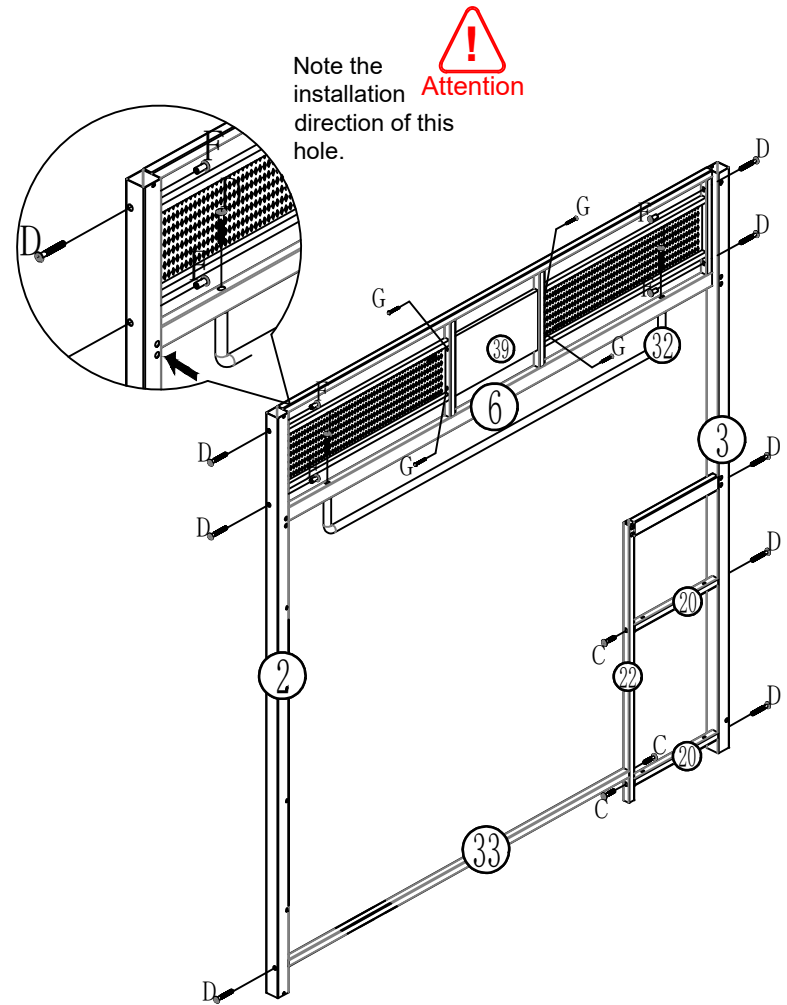


G
M4*35
4PCS

K
20PCS

M

Step 3



Note the installation direction of this hole.
Attention

C
8*35
3PCS

D
8*55
10PCS

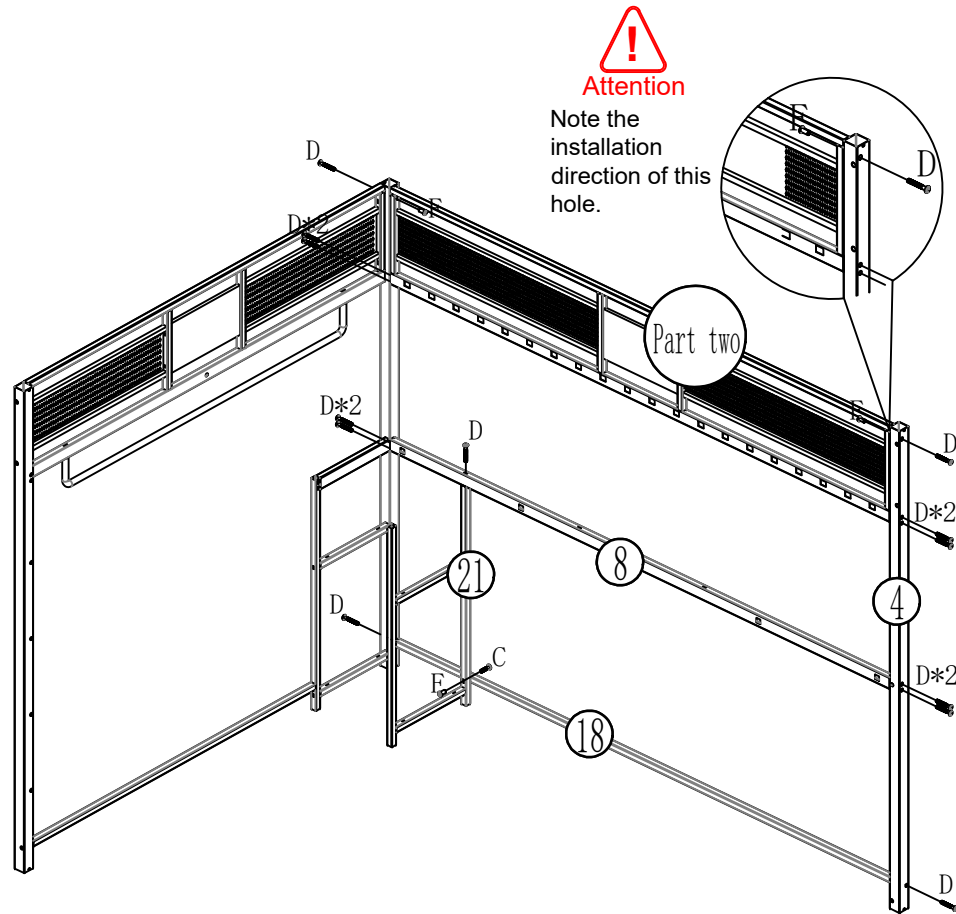
F
8*15
4PCS

G
M4*35
4PCS

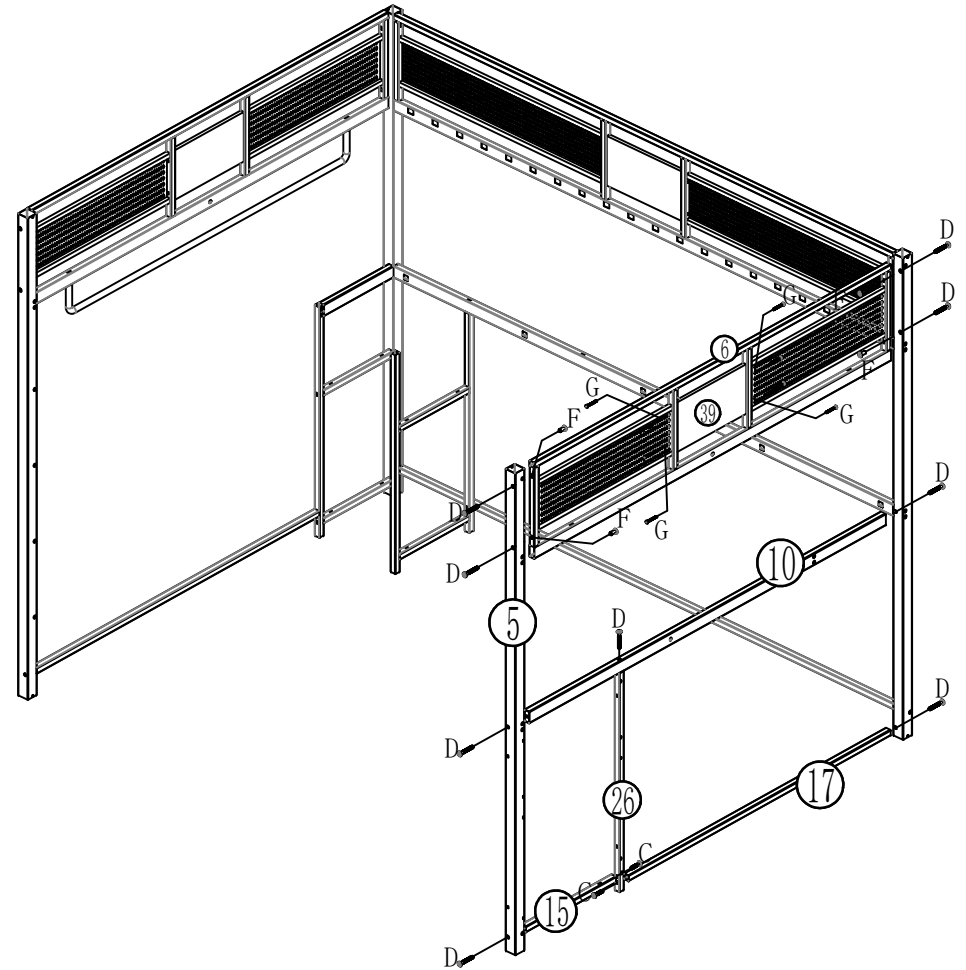
L

M

Step 4



Step 5



D
8*55-13PCS



F
4*15-3PCS



C
8*35
1PCS



L



D
8*55-9PCS



G
M4*35
4PCS



C
8*35
2PCS



F
4*15-4PCS

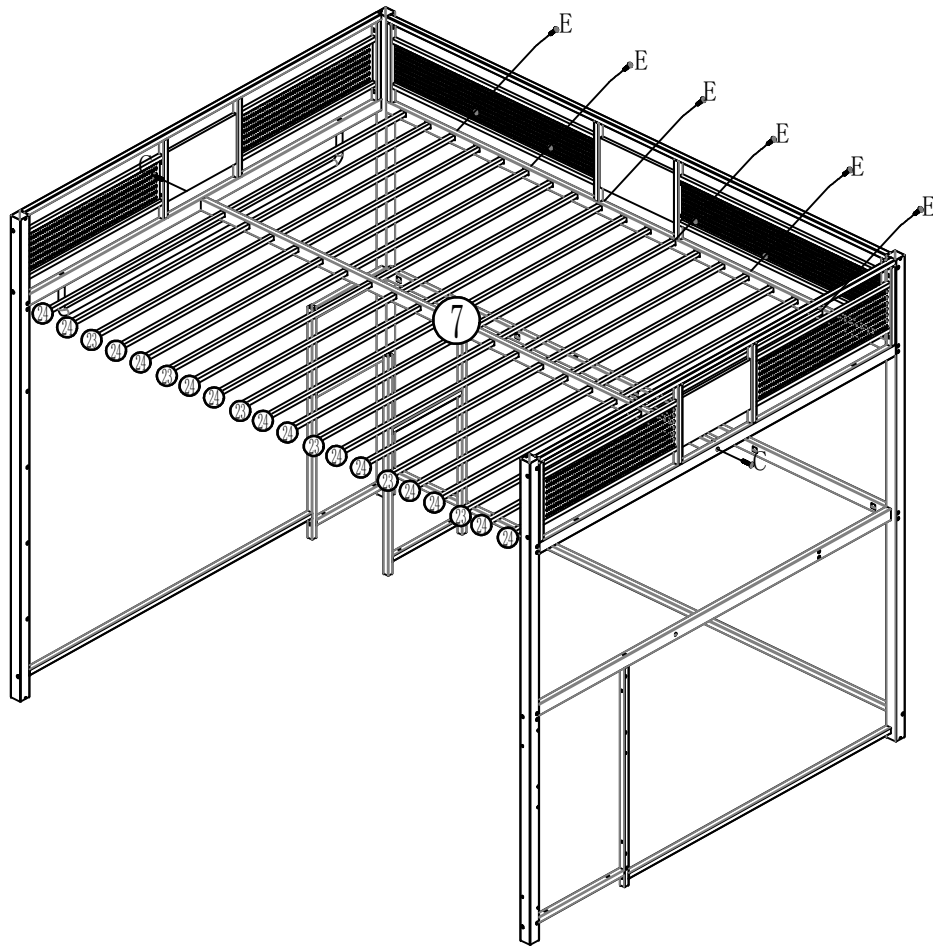


M



L

Step 6

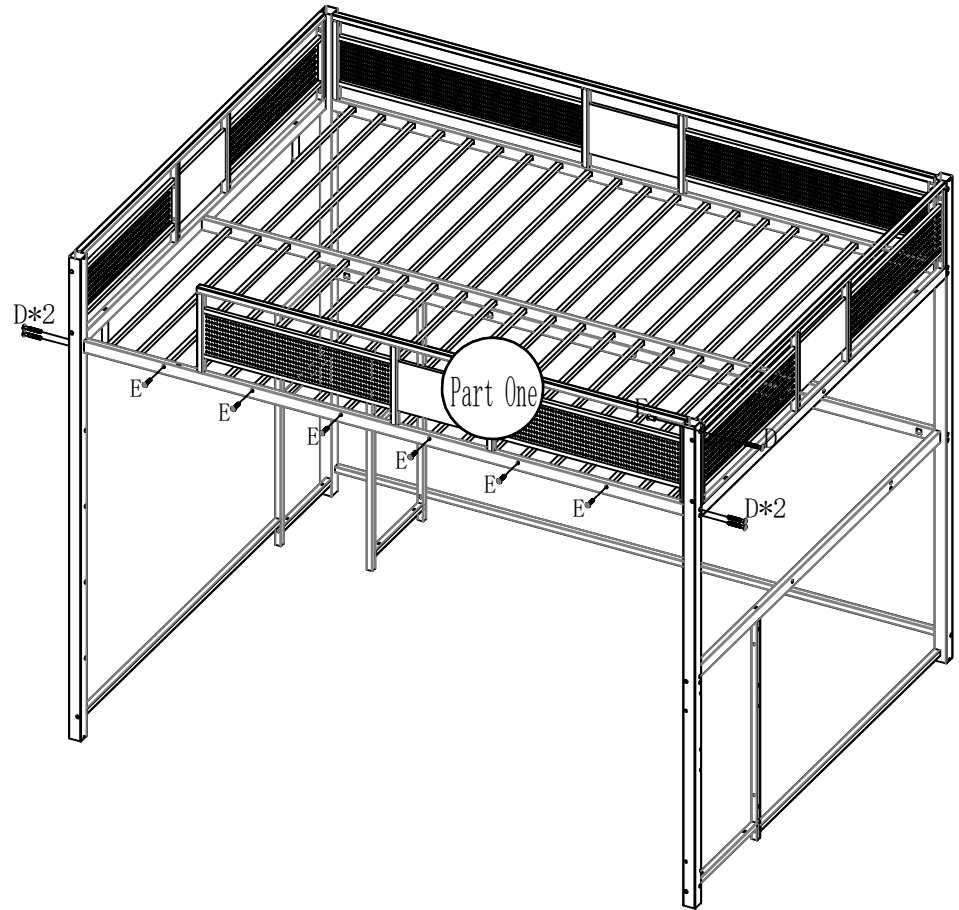


C
8*35
2PCS

E
6*35
6PCS

L

Step 7



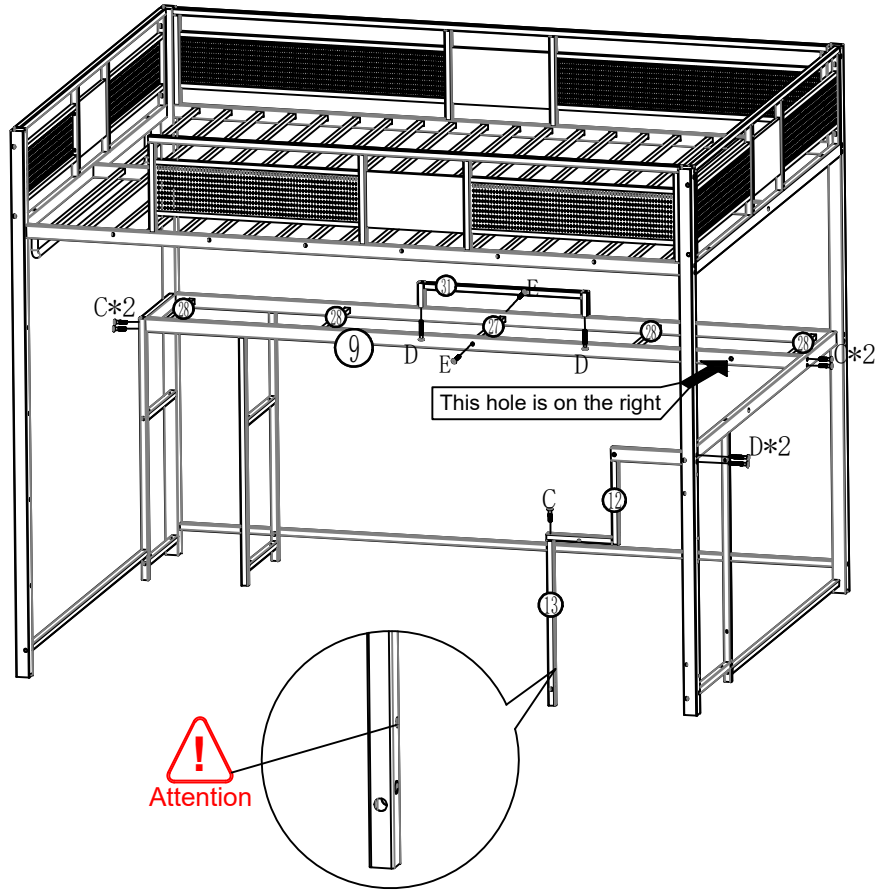
D
8*55-5PCS

E
6*35
6PCS

F
4*15-1PCS

L

Step 8



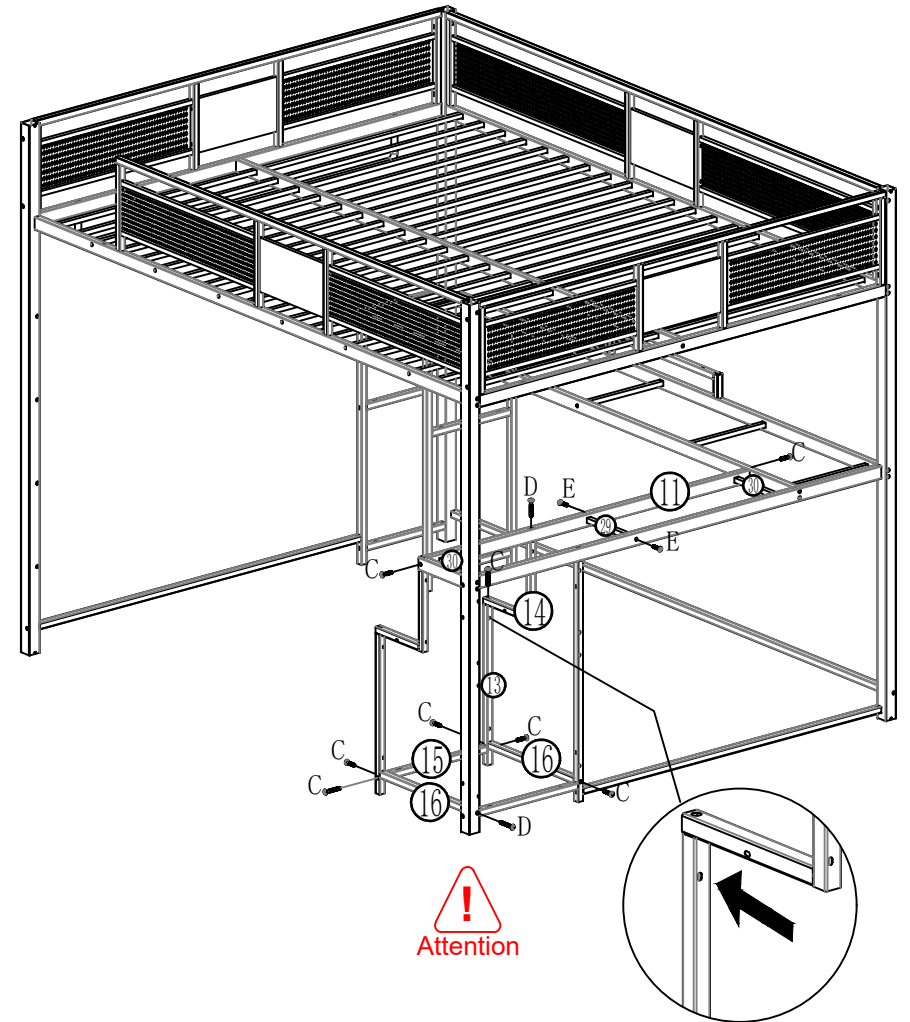
C
8*35
5PCS

D
8*55-4PCS

E
6*35
2PCS

L

Step 9



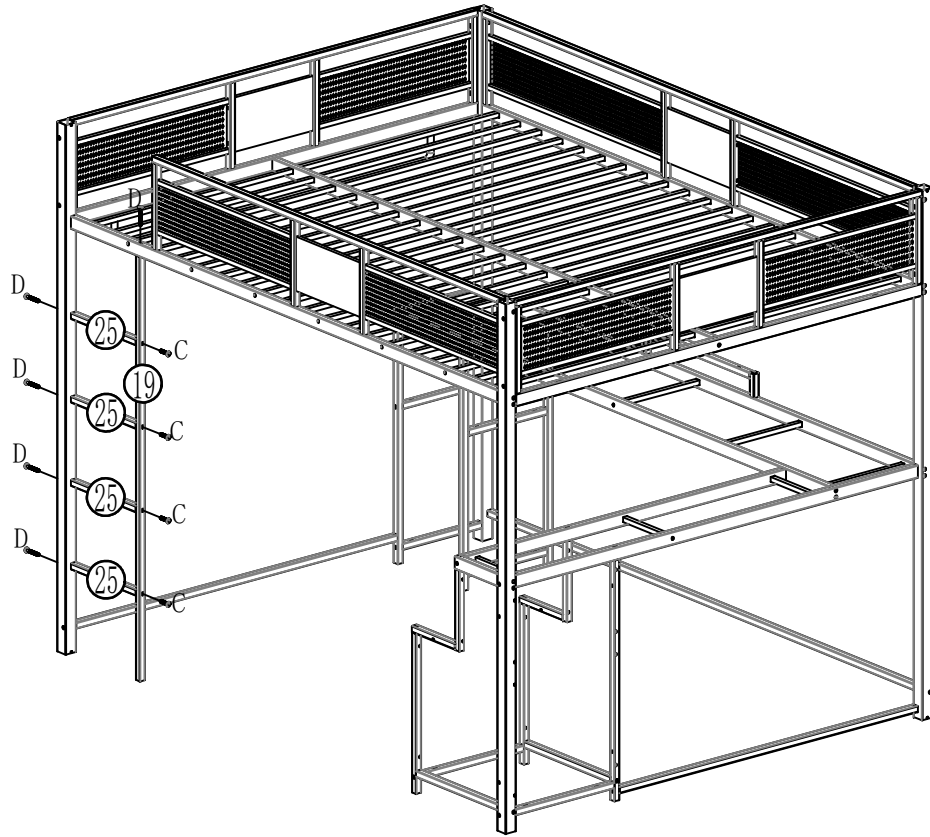
E
6*25
2PCS

D
8*55-2PCS

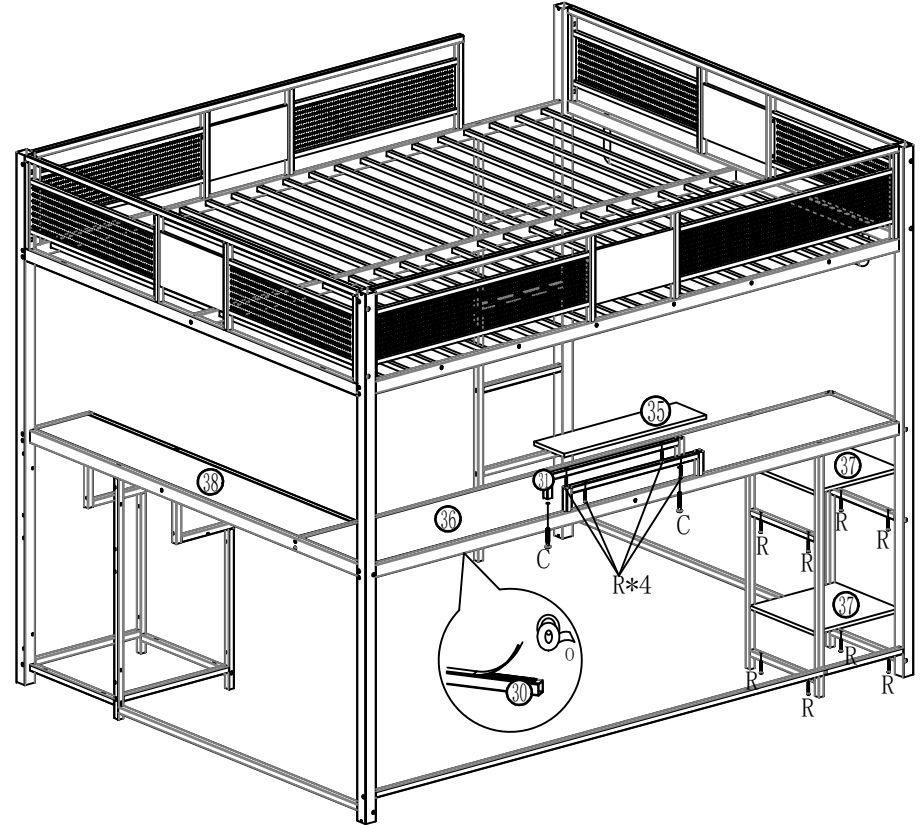
C
8*35
8PCS

L

Step 10



Step 11



D
8*55-5PCS



C
8*35
4PCS



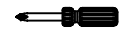
L



C
8*35
2PCS



R
M4*25
12PCS

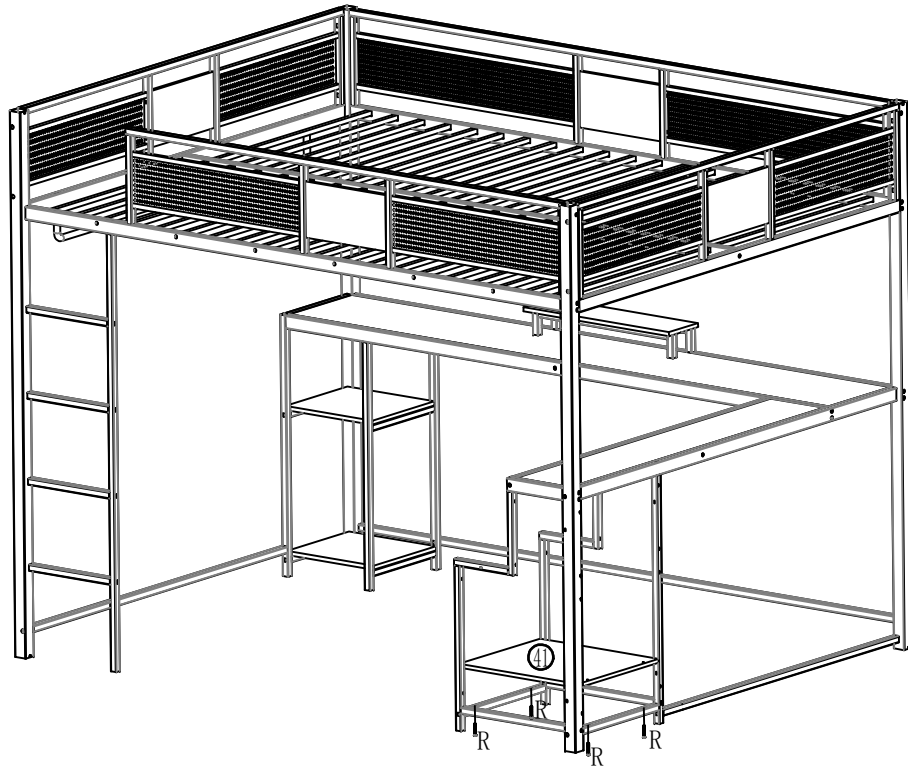


M

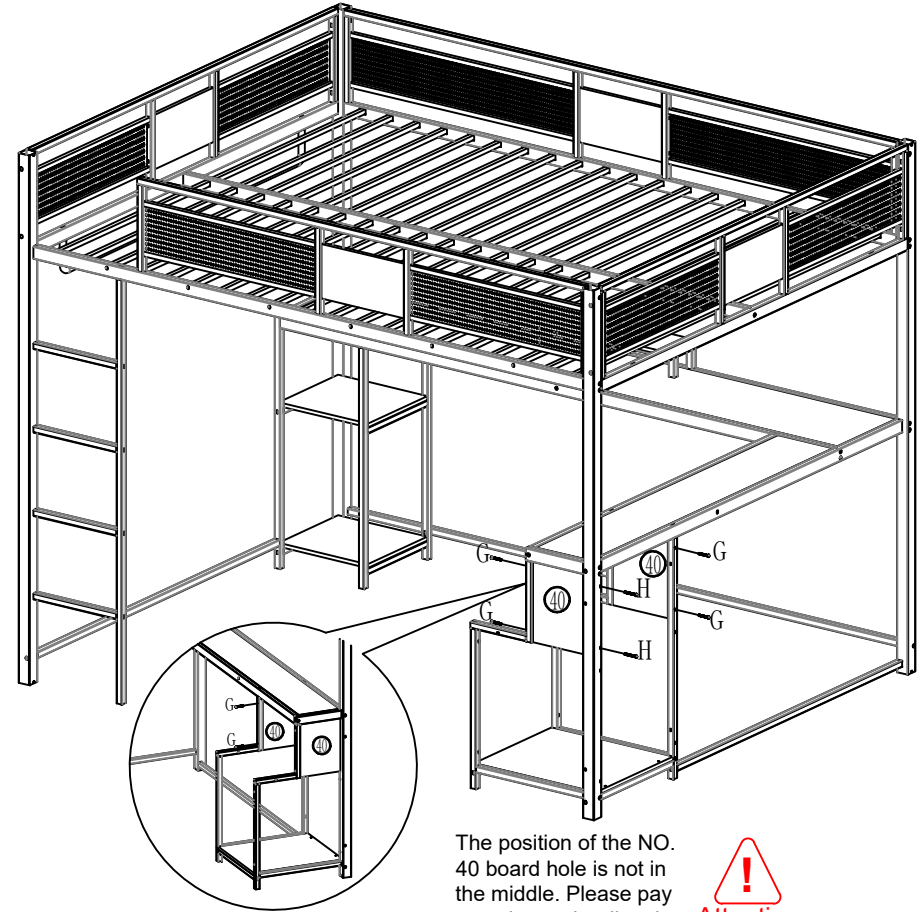



L

Step 12



Step 13



The position of the NO. 40 board hole is not in the middle. Please pay attention to the direction  **Attention**



R

M4*25
4PCS



M



G

M4*35
6PCS



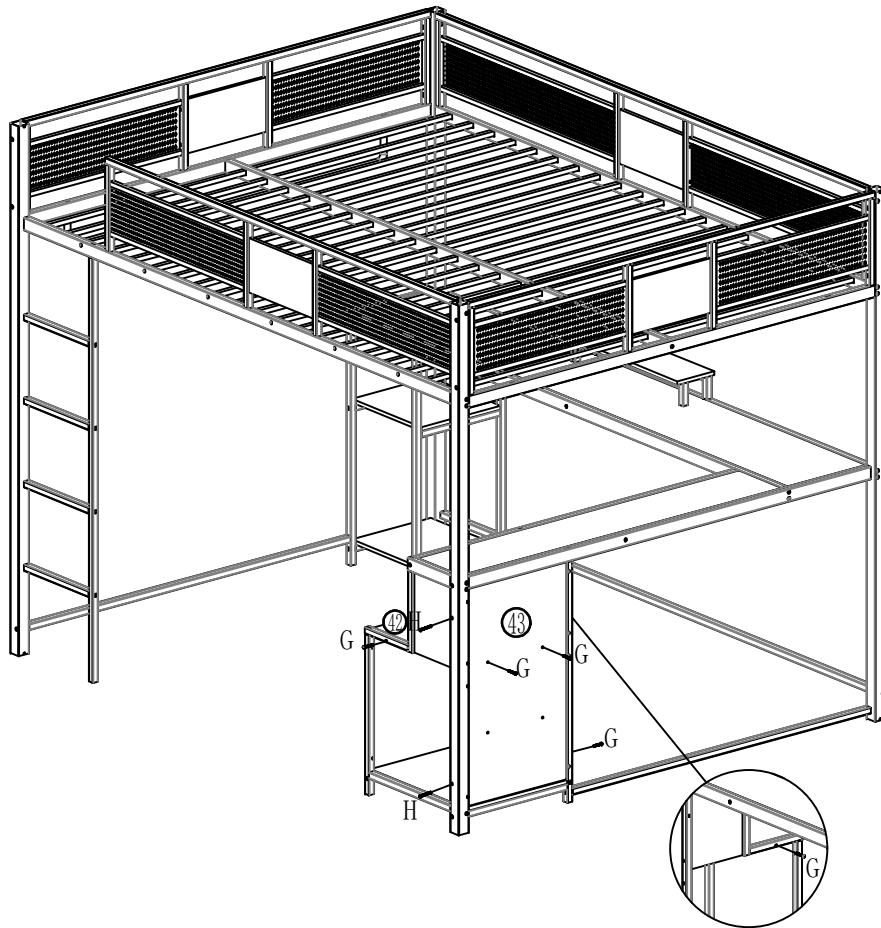
H

4*50-2PCS



M

Step 14



G
M4*35
8PCS

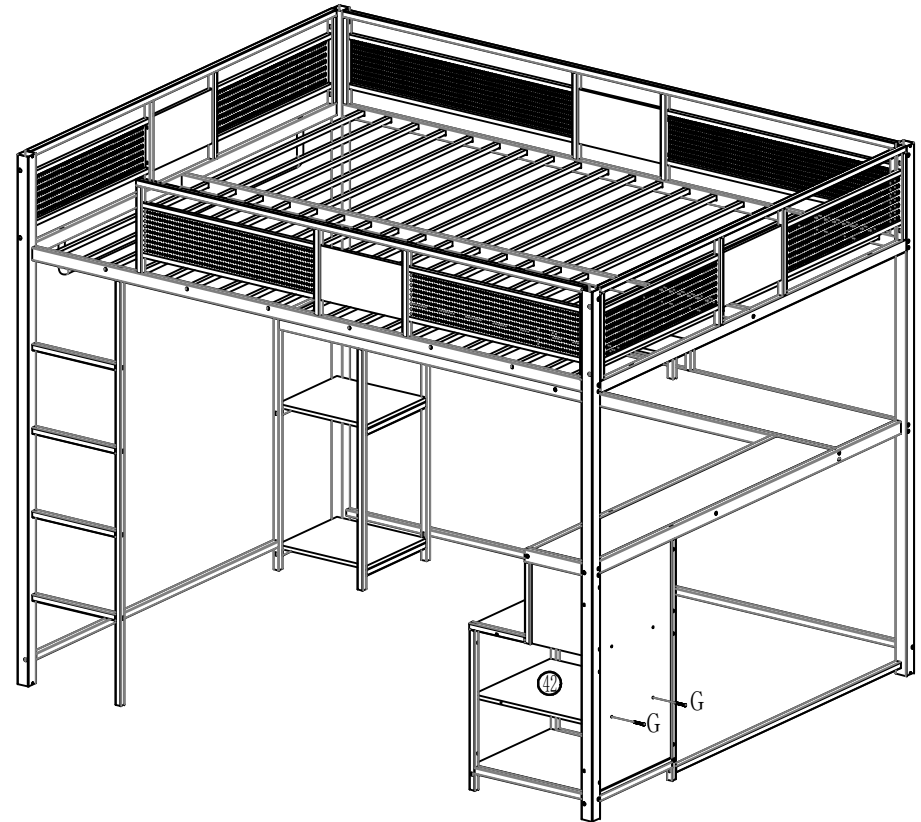


H
4*50-2PCS



M
1PCS

Step 15

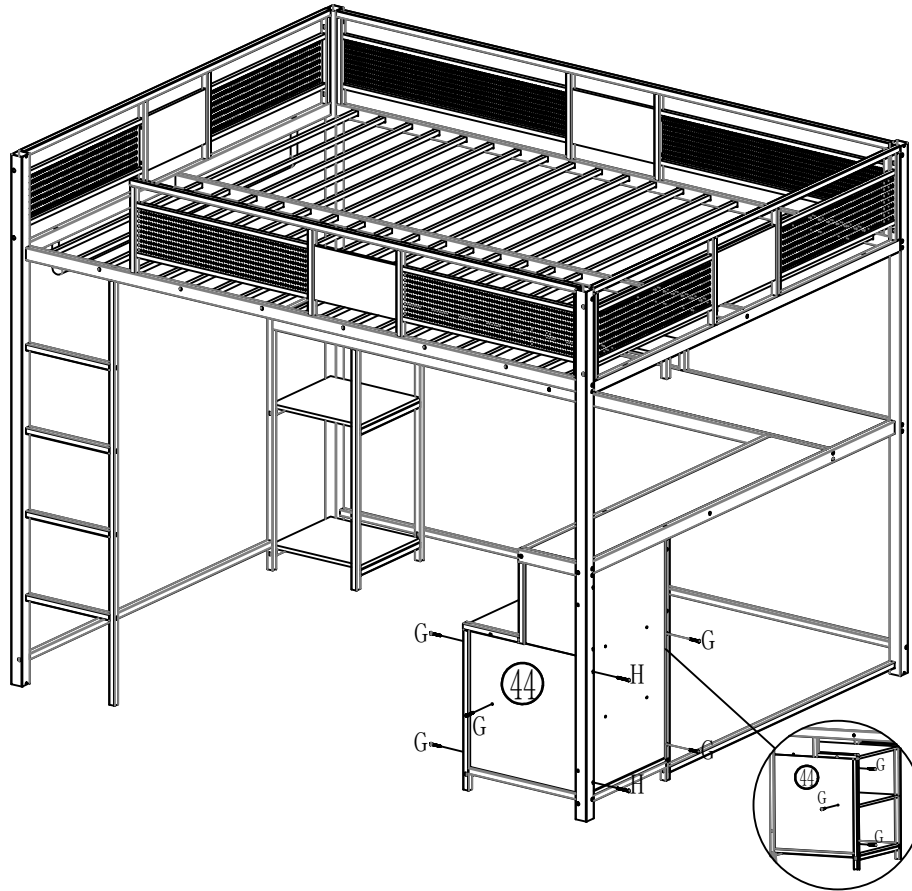


G
M4*35
2PCS

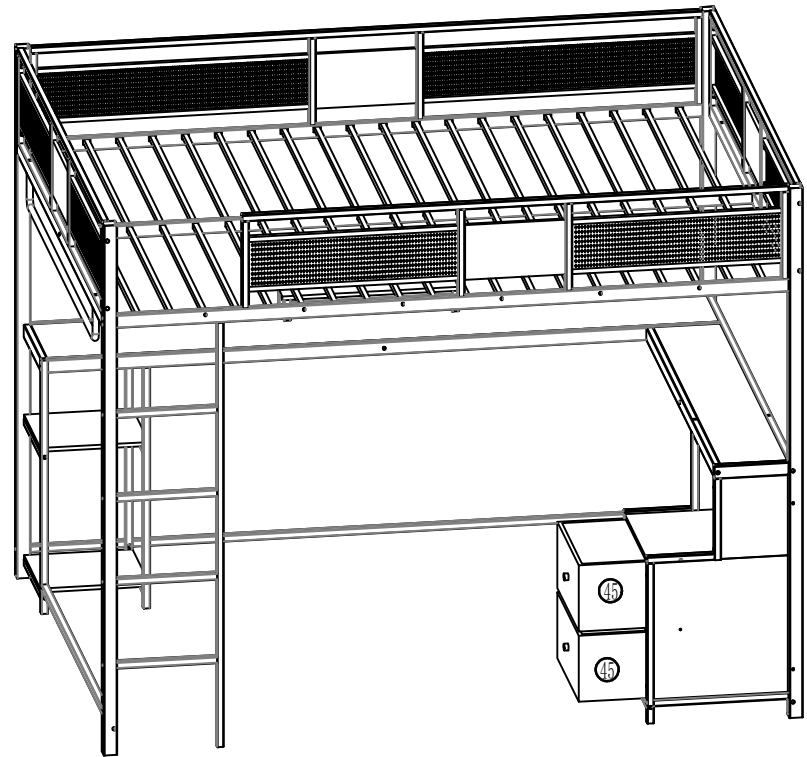


M
1PCS

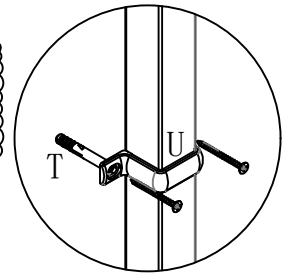
Step 16



Step 17



*Tips:
If you feel that the bed
is a little wobbly then
please use the parts "U"
and "T" for reinforcement*



G

M4*35
10PCS



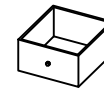
H

4*50-2PCS



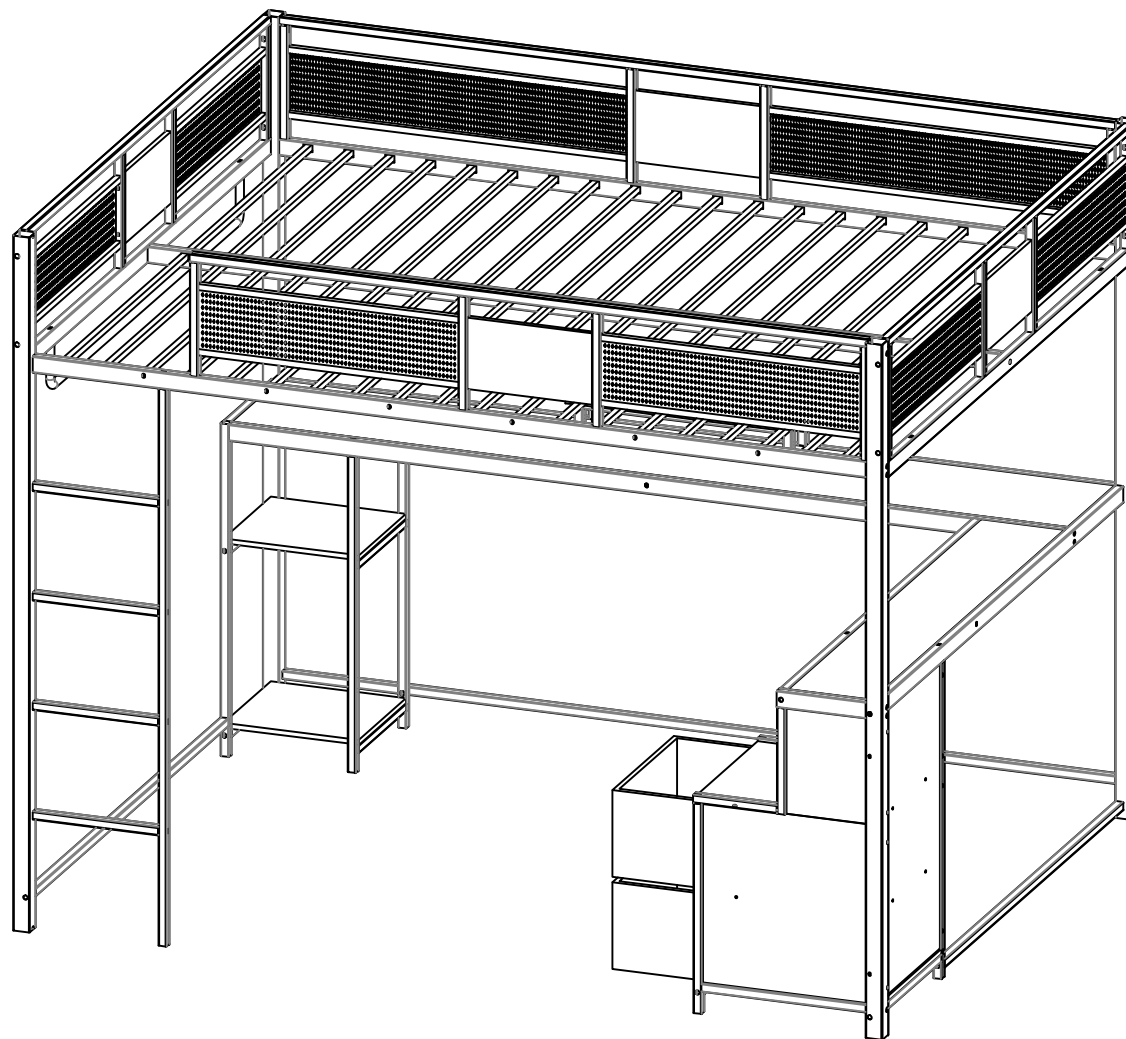
M

1PCS



#45-2PCS

Completed bed



Please make sure all bolts are fastened before use, thank you.