



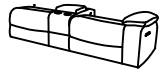




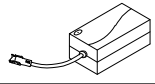

ASSEMBLY INSTRUCTIONS

REDONDO COLLECTION

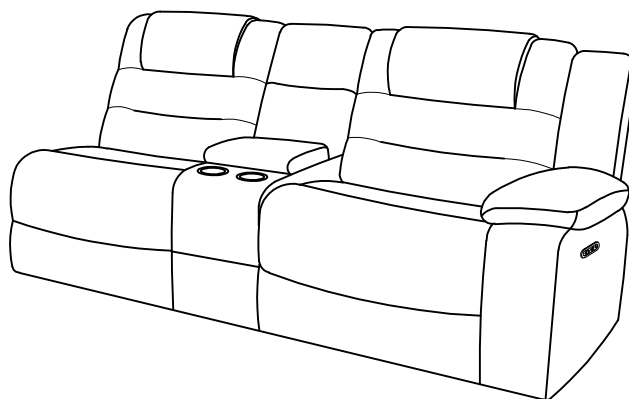
ITEM#: U2540-R25P1

DESCRIPTION : REDONDO RAF CONSOLE
LOVESEAT W/1 RECLINER PWR FR

Thank you for purchasing this quality product. Be sure to check all packing materials carefully for small parts, which may have come loose during shipment. Identify and count all items and compare with the parts list shown below. It is recommended to have two people during assembling and to remove the back and base of the furniture out from the box. **Please follow the drawings below to assemble the item**

Parts List			
NO.	DESCRIPTION	SKETCH	Q'TY
A	Seat		1 PC
B	Left Side Facing (LSF) backrest		1 PC
C	Console Backrest		1 PC
D	Right Side Facing (RSF) backrest		1 PC
E	Right Side Facing (RSF) wing		1 PC
F	Transformer		1 PC
G	Plug		1 PC

Weight Capacity (PER SEAT)	350 LB
----------------------------	--------



All images shown are for illustration purpose only.
Actual product may vary due to product enhancement.

ASSEMBLY INSTRUCTIONS

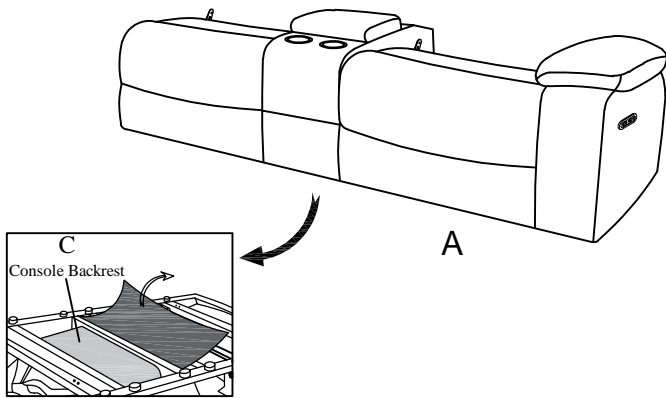
REDONDO COLLECTION

ITEM#: U2540-R25P1

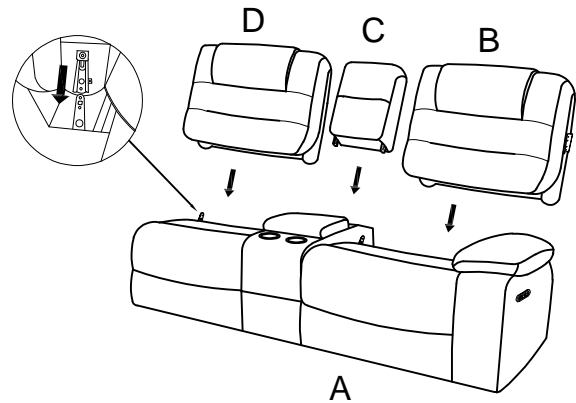
DESCRIPTION : REDONDO RAF CONSOLE

LOVESEAT W/1 RECLINER PWR FR

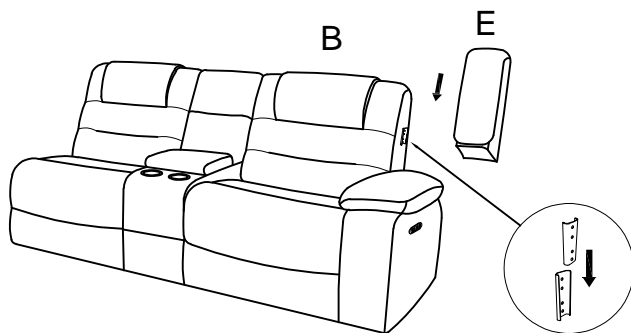
Step 1: Locate the console backrest (C) at the bottom of seat (A).



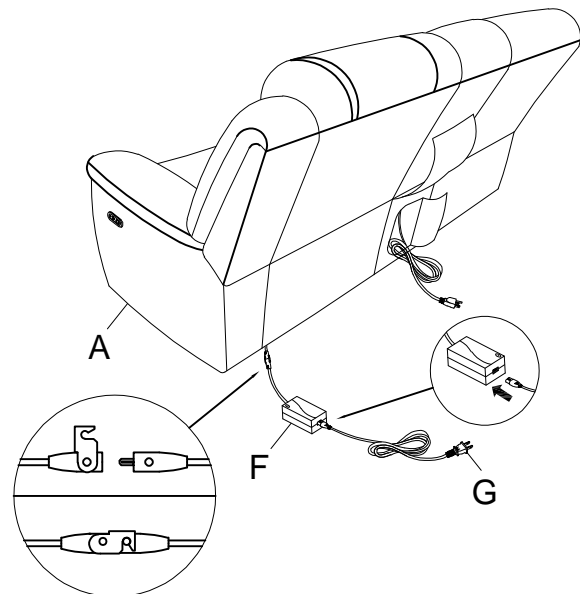
Step 2: Attach the LSF, Console, and RSF backrests (B/C/D) to the seat (A).



Step 3: Attach the LSF Wing (E) to the LSF backrest (B).



Step 4: Connect the Transformer (F) to the power wire at the back left side facing of seat (A) and then connect the plug (G) to the Transformer (F).



All images shown are for illustration purpose only.
Actual product may vary due to product enhancement.

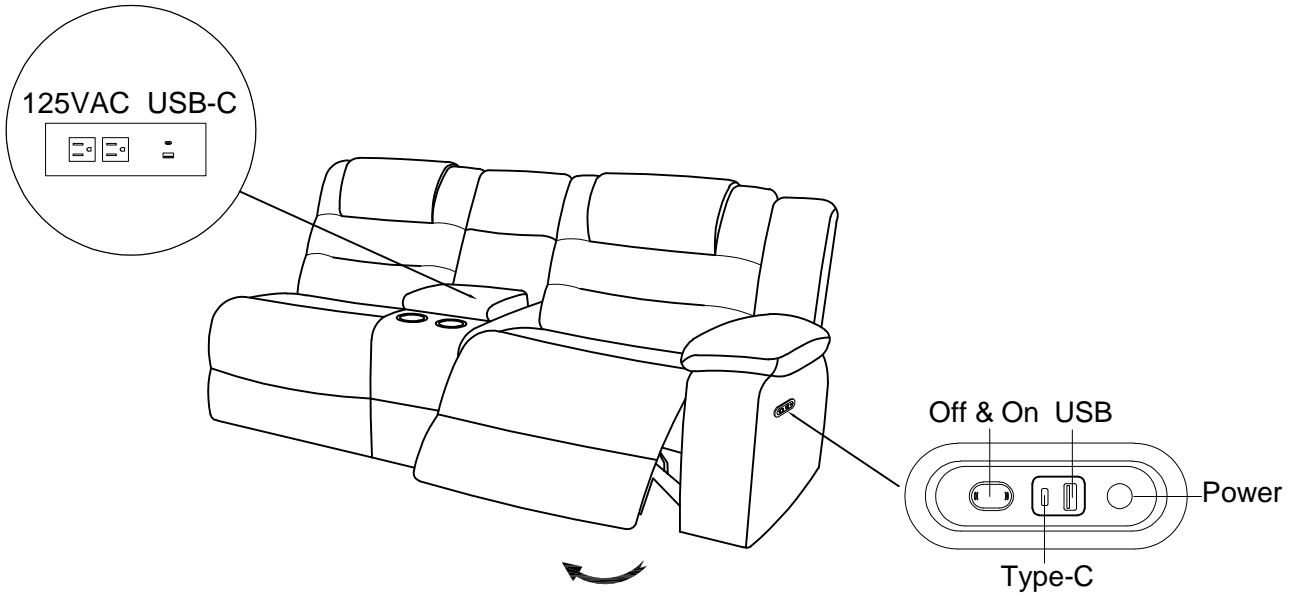
ASSEMBLY INSTRUCTIONS

REDONDO COLLECTION

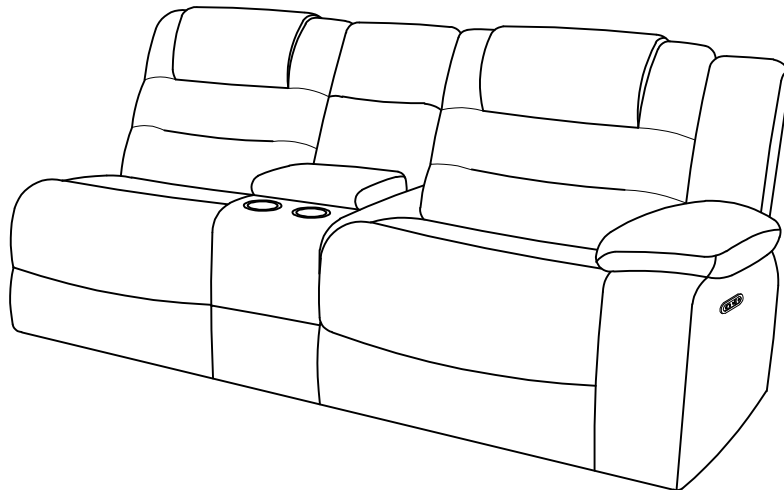
ITEM#: U2540-R25P1

DESCRIPTION : REDONDO RAF CONSOLE
LOVESEAT W/1 RECLINER PWR FR

Step 5: Open the Footrest by pressing the power button on/off.



Step 6:



All images shown are for illustration purpose only.
Actual product may vary due to product enhancement.

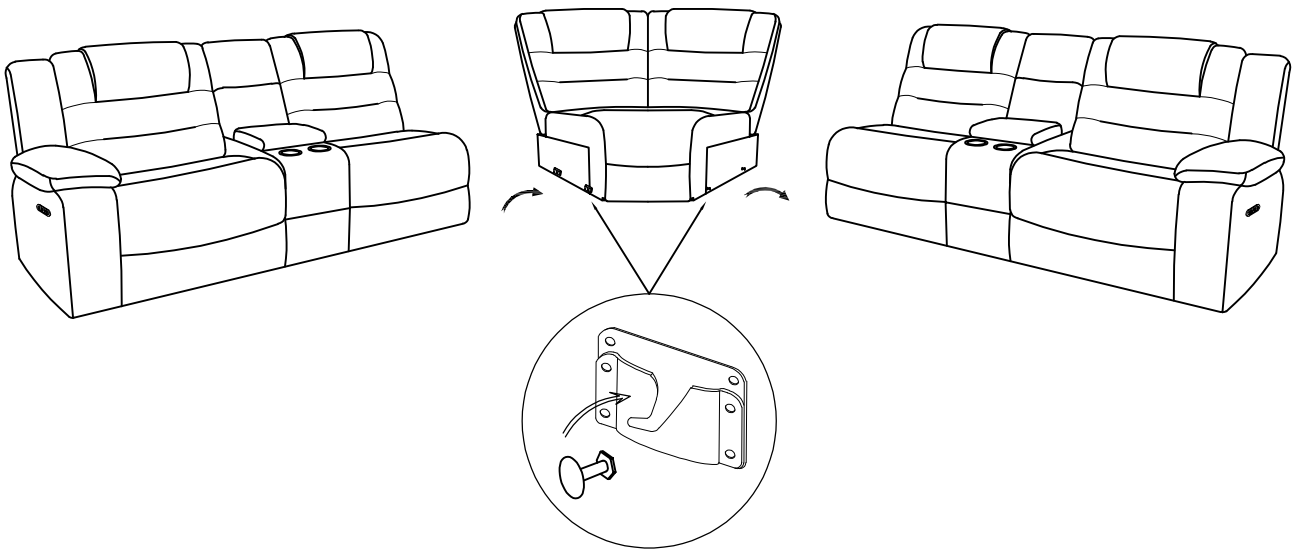
ASSEMBLY INSTRUCTIONS

REDONDO COLLECTION

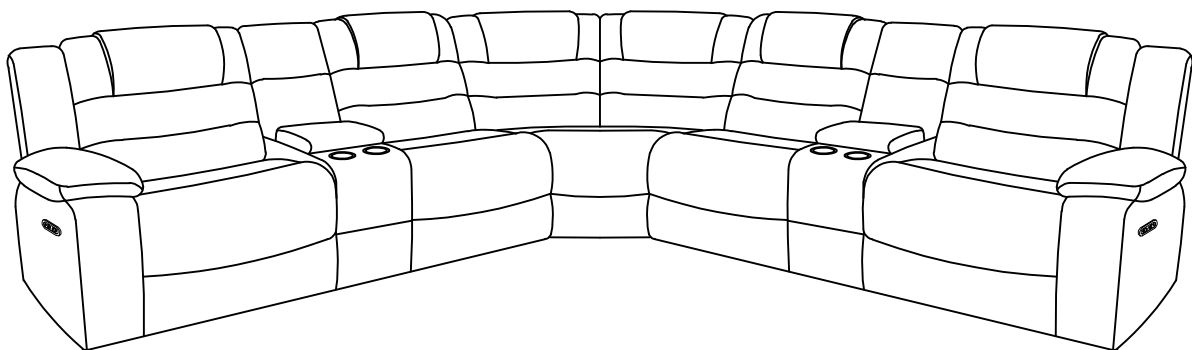
ITEM#: U2540-R25P1

DESCRIPTION : REDONDO RAF CONSOLE
LOVESEAT W/1 RECLINER PWR FR

Step 7:



Step 8:



All images shown are for illustration purpose only.
Actual product may vary due to product enhancement.



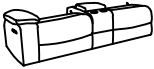




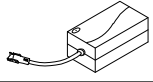

ASSEMBLY INSTRUCTIONS

REDONDO COLLECTION

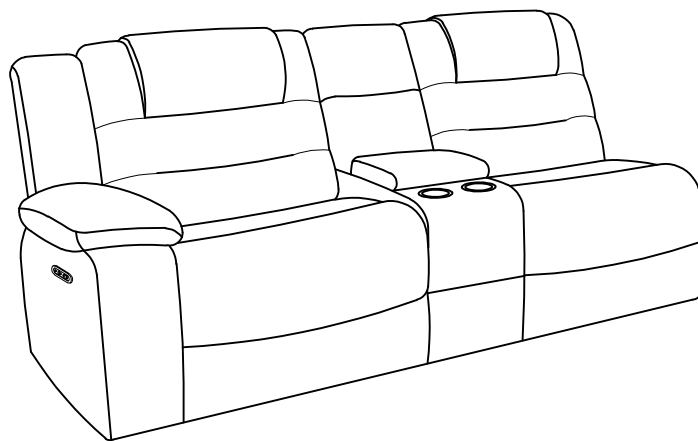
ITEM#: U2540-L25P1

DESCRIPTION : REDONDO LAF CONSOLE
LOVESEAT W/ 2 RECLINERS PWR FR

Thank you for purchasing this quality product. Be sure to check all packing materials carefully for small parts, which may have come loose during shipment. Identify and count all items and compare with the parts list shown below. It is recommended to have two people during assembling and to remove the back and base of the furniture out from the box. **Please follow the drawings below to assemble the item**

Parts List			
NO.	DESCRIPTION	SKETCH	Q'TY
A	Seat		1 PC
B	Left Side Facing (LSF) backrest		1 PC
C	Console Backrest		1 PC
D	Right Side Facing (RSF) backrest		1 PC
E	Left Side Facing (LSF) wing		1 PC
F	Transformer		1 PC
G	Plug		1 PC

Weight Capacity (PER SEAT)	350 LB
----------------------------	--------



All images shown are for illustration purpose only.
Actual product may vary due to product enhancement.

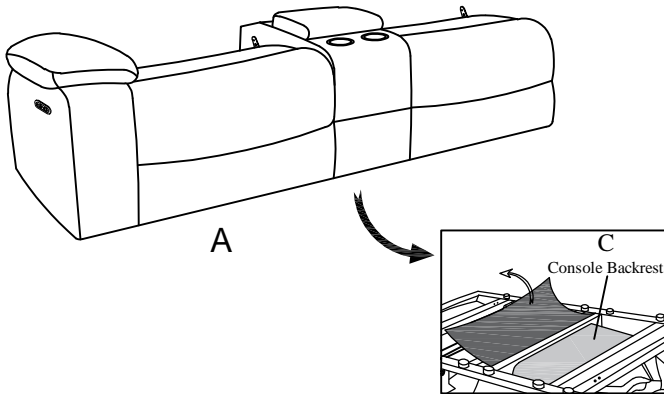
ASSEMBLY INSTRUCTIONS

REDONDO COLLECTION

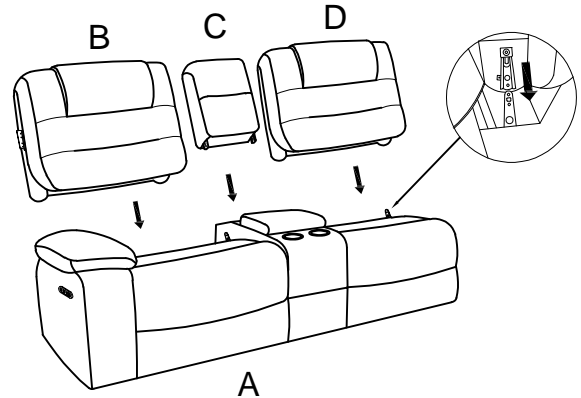
ITEM#: U2540-L25P1

DESCRIPTION : REDONDO LAF CONSOLE
LOVESEAT W/ 2 RECLINERS PWR FR

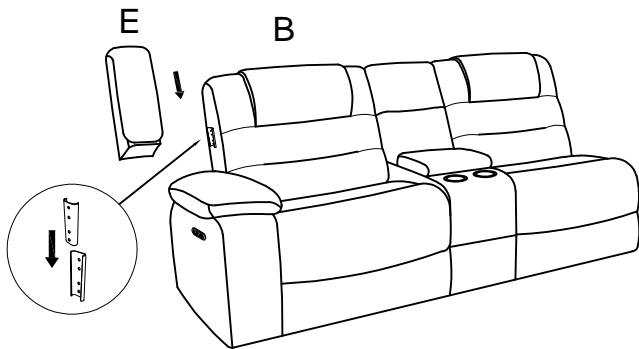
Step 1: Locate the console backrest (C) at the bottom of seat (A).



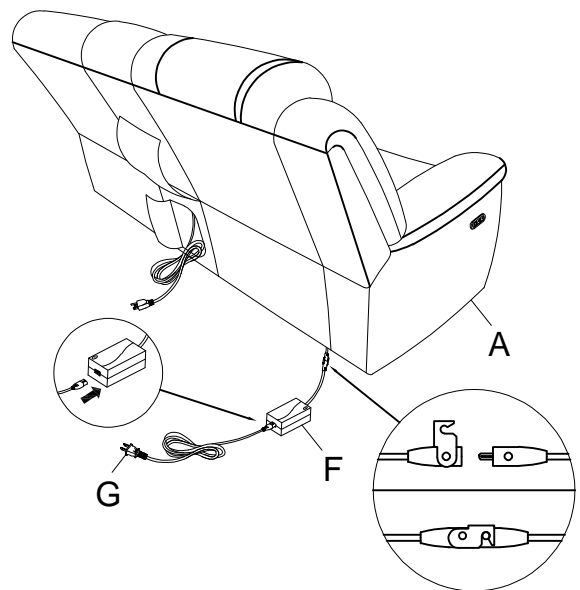
Step 2: Attach the LSF, Console, and RSF backrests (B/C/D) to the seat (A).



Step 3: Attach the LSF Wing (E) to the LSF backrest (B).



Step 4: Connect the Transformer (F) to the power wire at the back right side facing of seat (A) and then connect the plug (G) to the Transformer (F).



All images shown are for illustration purpose only.
Actual product may vary due to product enhancement.

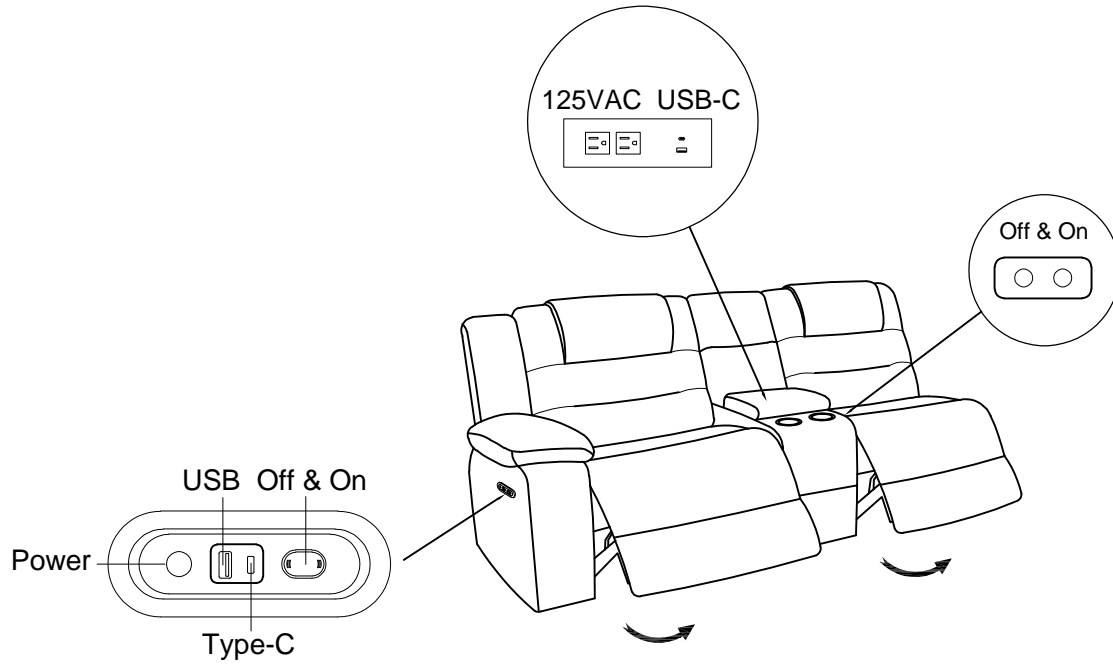
ASSEMBLY INSTRUCTIONS

REDONDO COLLECTION

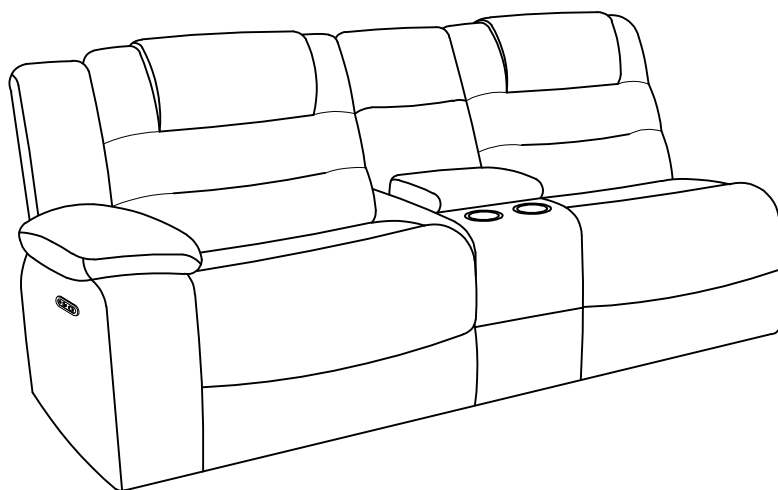
ITEM#: U2540-L25P1

DESCRIPTION : REDONDO LAF CONSOLE
LOVESEAT W/ 2 RECLINERS PWR FR

Step 5: Open the Footrest by pressing the power button on/off.



Step 6:



All images shown are for illustration purpose only.
Actual product may vary due to product enhancement.

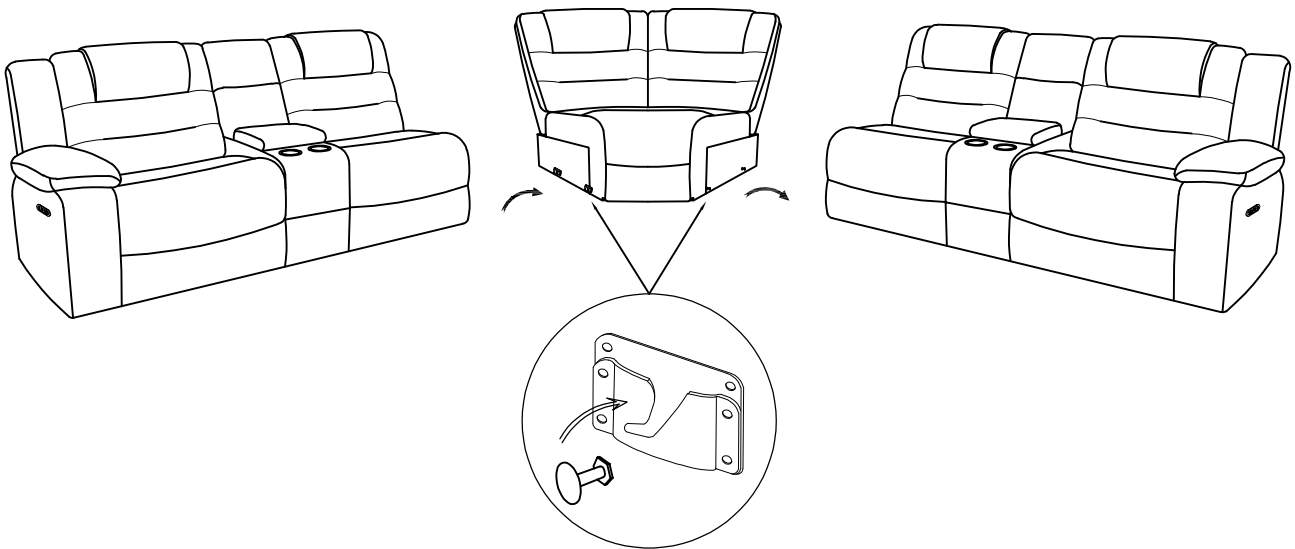
ASSEMBLY INSTRUCTIONS

REDONDO COLLECTION

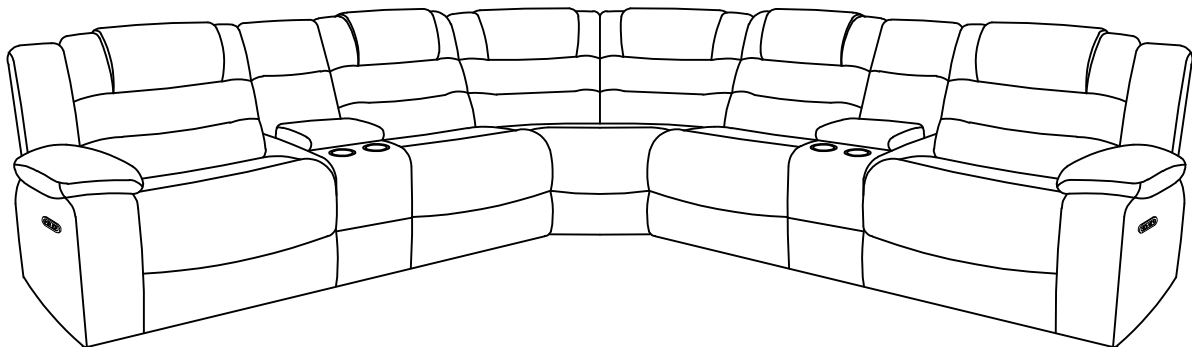
ITEM#: U2540-L25P1

DESCRIPTION : REDONDO LAF CONSOLE
LOVESEAT W/ 2 RECLINERS PWR FR

Step 7:



Step 8:



All images shown are for illustration purpose only.
Actual product may vary due to product enhancement.






ASSEMBLY INSTRUCTIONS

REDONDO COLLECTION

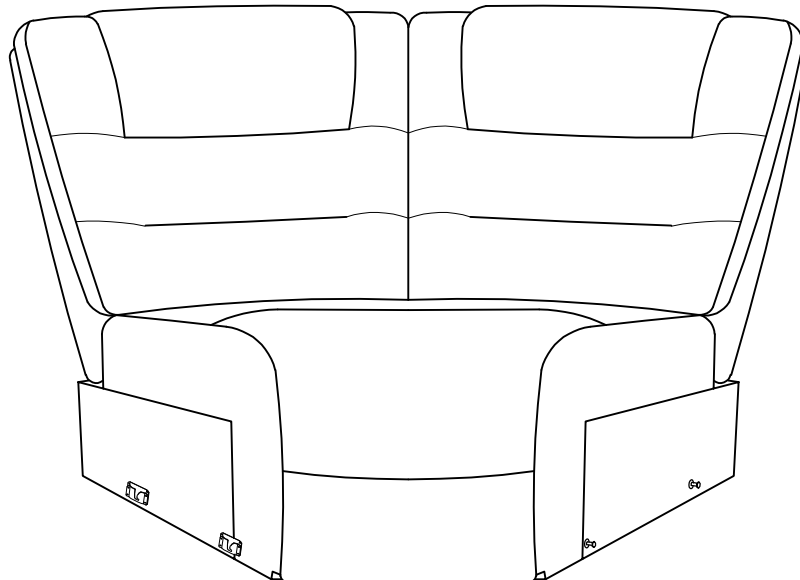
ITEM#: U2540-WG

DESCRIPTION : REDONDO WEDGE

Thank you for purchasing this quality product. Be sure to check all packing materials carefully for small parts, which may have come loose during shipment. Identify and count all items and compare with the parts list shown below. It is recommended to have two people during assembling and to remove the back and base of the furniture out from the box. **Please follow the drawings below to assemble the item**

Parts List			
NO.	DESCRIPTION	SKETCH	Q'TY
A	Seat		1 PC
B	Left Side Facing (LSF) Backrest		1 PC
C	Right Side Facing (RSF) Backrest		1 PC

Weight Capacity (PER SEAT)	300 LB
----------------------------	--------



All images shown are for illustration purpose only. Actual product may vary due to product enhancement.

ASSEMBLY INSTRUCTIONS

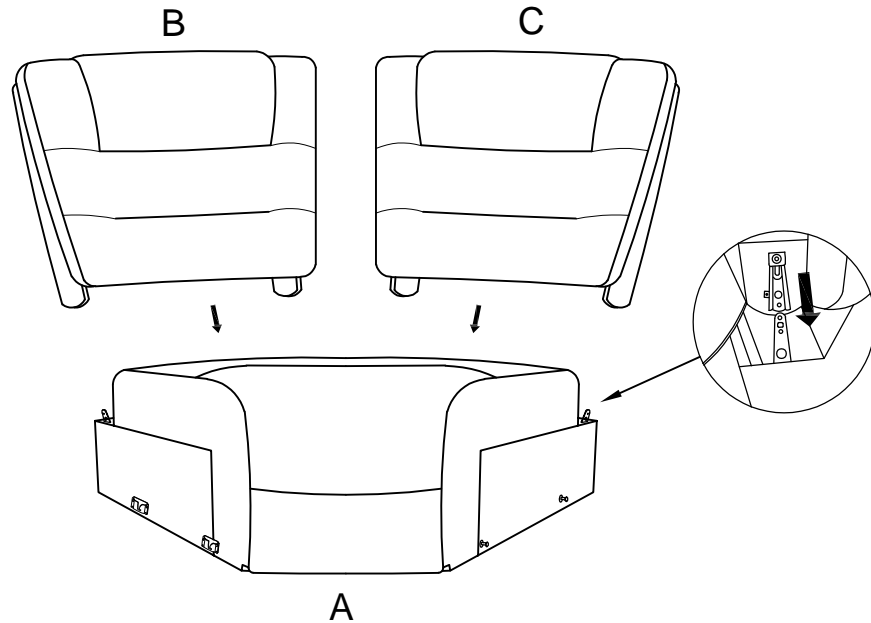
REDONDO COLLECTION

ITEM#: U2540-WG

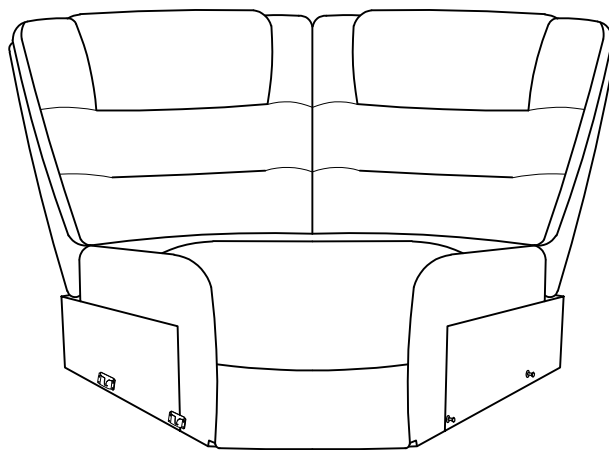
DESCRIPTION : REDONDO WEDGE

Step 1:

Attach the LSF Backrest (B) and RSF Backrest (C) to the Seat (A).



Step 2:



All images shown are for illustration purpose only.
Actual product may vary due to product enhancement.

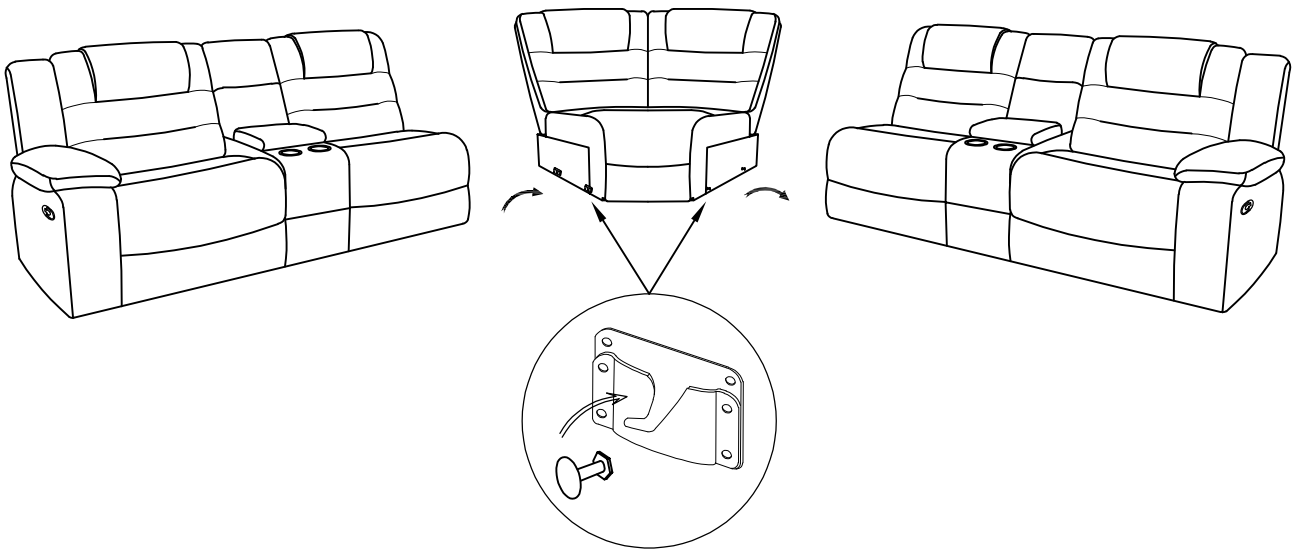
ASSEMBLY INSTRUCTIONS

REDONDO COLLECTION

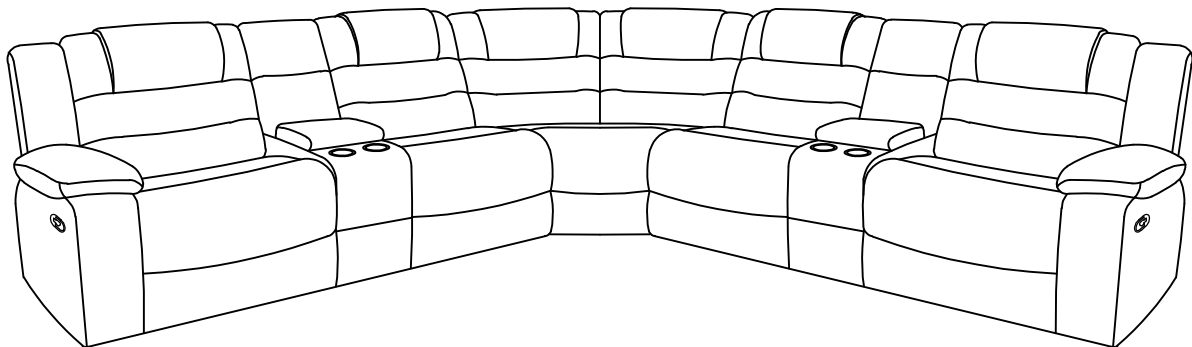
ITEM#: U2540-WG

DESCRIPTION : REDONDO WEDGE

Step 3:



Step 4:



All images shown are for illustration purpose only.
Actual product may vary due to product enhancement.