

**INSTRUCTION MANUAL ENCLOSED**

**ATTENTION**

**IF YOU HAVE ANY PROBLEMS OR QUESTIONS, EMAIL OR CALL  
CUSTOMER SERVICE BEFORE YOU RETURN THIS PRODUCT TO THE  
STORE WHERE IT WAS PURCHASED.**

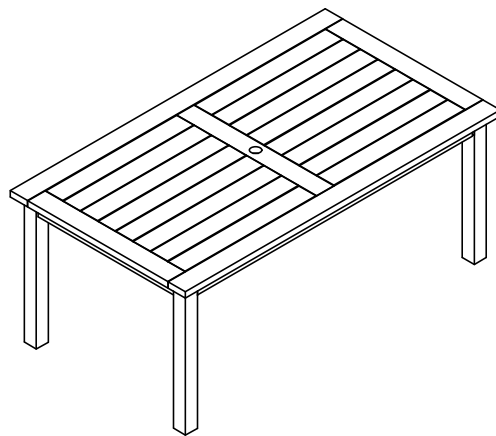
For Customer Service:

**\*\*When emailing Customer Service, please include your **Order Number** and **platform of purchase** in the email subject for quicker assistance.**

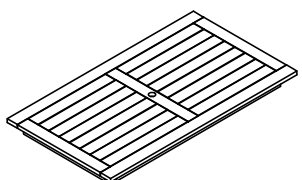

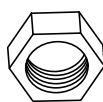
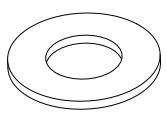
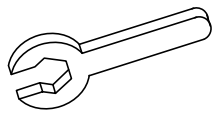
# INSTRUCTION MANUAL ENCLOSED

## OUTDOOR DINNING TABLE

### ASSEMBLY INSTRUCTION



Parts	DESCRIPTION	Quantity
<b>PARTS LIST</b>		
<b>PARTS</b>		
A	Table Top	1
B	Leg	4
<b>HARDWARE</b>		
C	Hex	8
D	Flat Washer	8
E	Wrench	1
<b>SPARE PARTS</b>		
C	Hex	1
D	Flat Washer	1
	Leveler	1

<p>A</p>  <p>x1</p>	<p>B</p>  <p>x4</p>	<p>C</p>  <p>x8 5/16*5mm</p>
<p>D</p>  <p>x8 5/16*16*2mm</p>	<p>E</p>  <p>x1 5/16</p>	

**For Customer Service:**

**PLEASE READ AND FOLLOW ALL SAFETY TIPS**

### GETTING STARTED

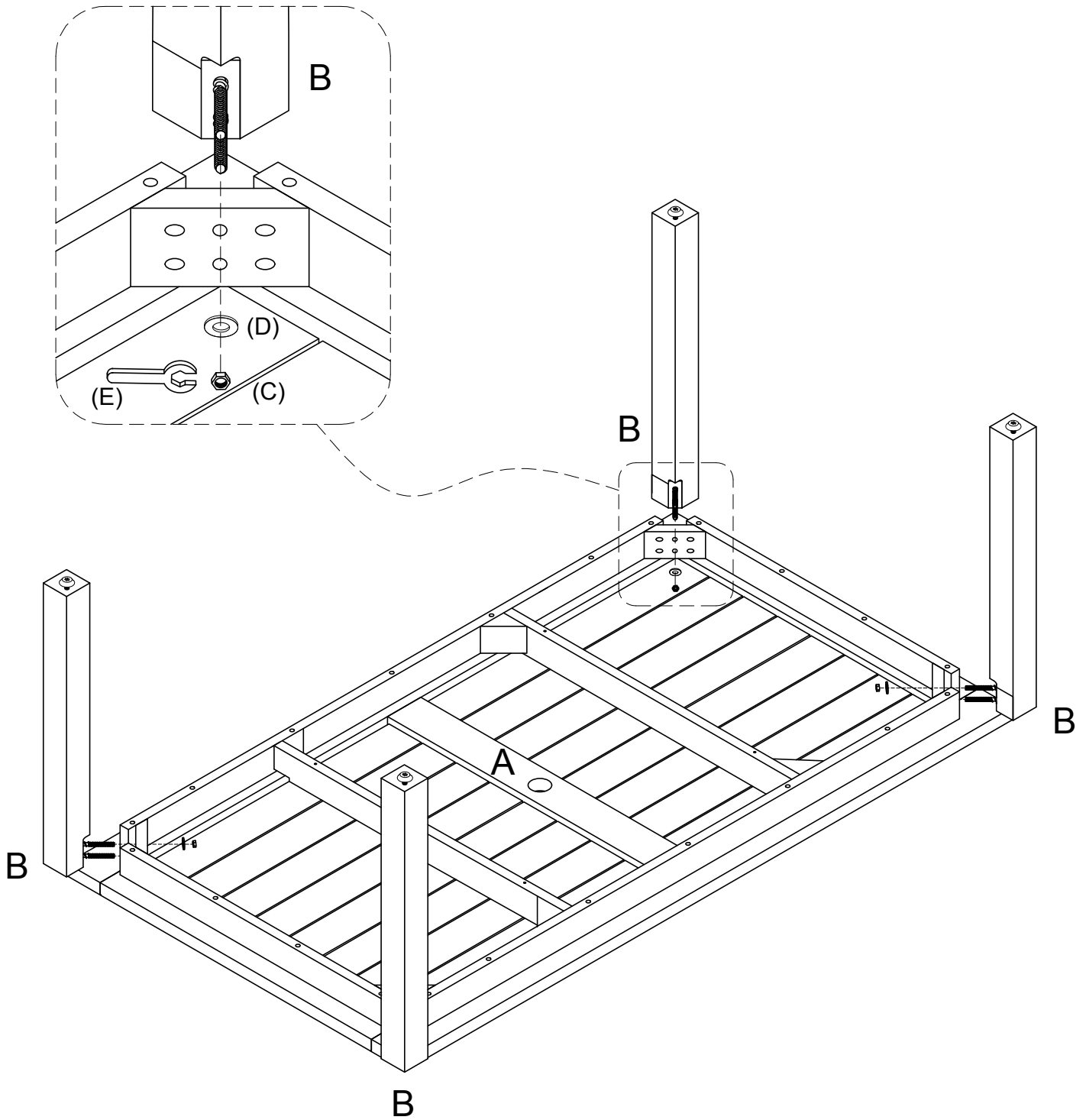
1. Before assembly, CAREFULLY use scissors or utility knife to cut and unwrap all parts. Make sure you do not discard the hardware.
2. Make sure that you have all the parts listed. If you are missing any parts, please email Customer Service: Please identify the parts you need and model number. Make sure to include your name and address.
3. Please include your **Order Number** and **platform of purchase** in the email subject, and one of our customer service representative will get back to you.

#### Warm Tips:

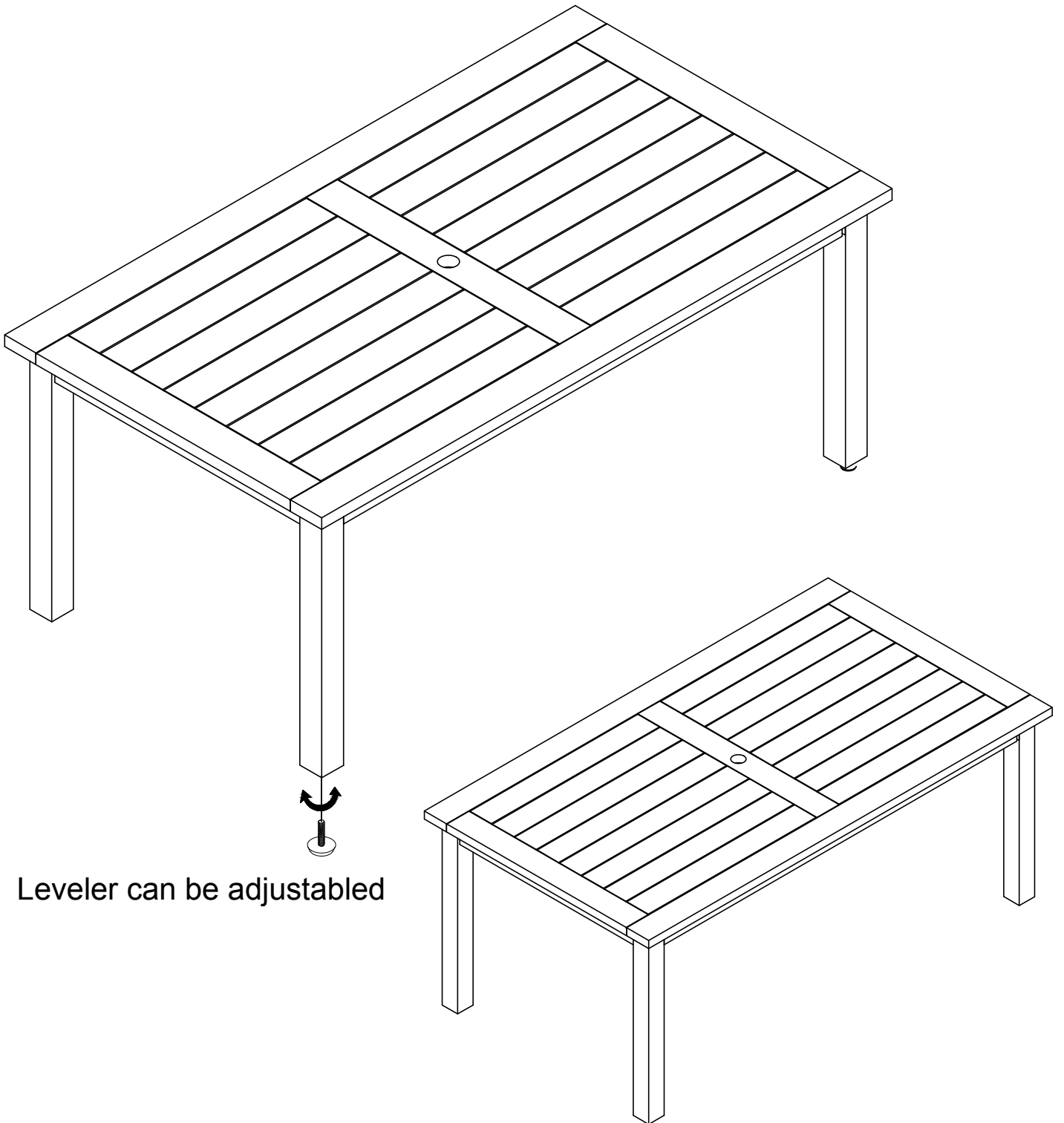
1. The plastic covers on some metal parts are just for product protection. Please remove it before assembly.
2. Please follow the sequence of AI during assembly.
3. Do not tighten the screws until all of them are in right positions.

1

Position Table Top(A) with Leg(B) by the pre-drilled threads. Use Wrench (E) to fasten Hex(C) and Flat Washer(D) . Table Top(A) should have 8 Hex(C) and Flat Washer(D) fastened. (Photo 1)



2



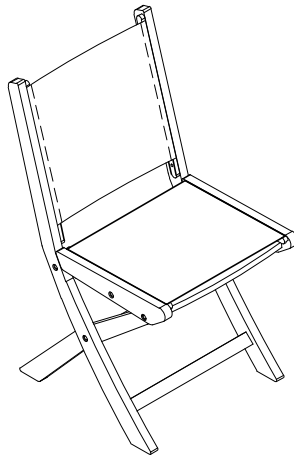
Leveler can be adjustable

You have completed assembling the furniture - enjoy!

# INSTRUCTION MANUAL ENCLOSED

## OUTDOOR CHAIR

### INSTRUCTION ASSEMBLY



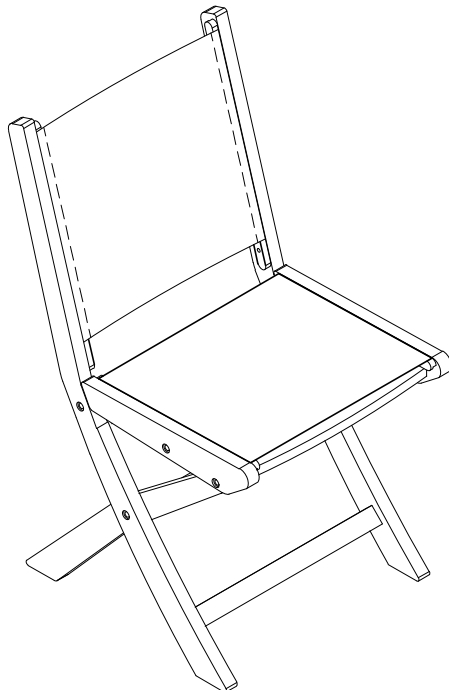
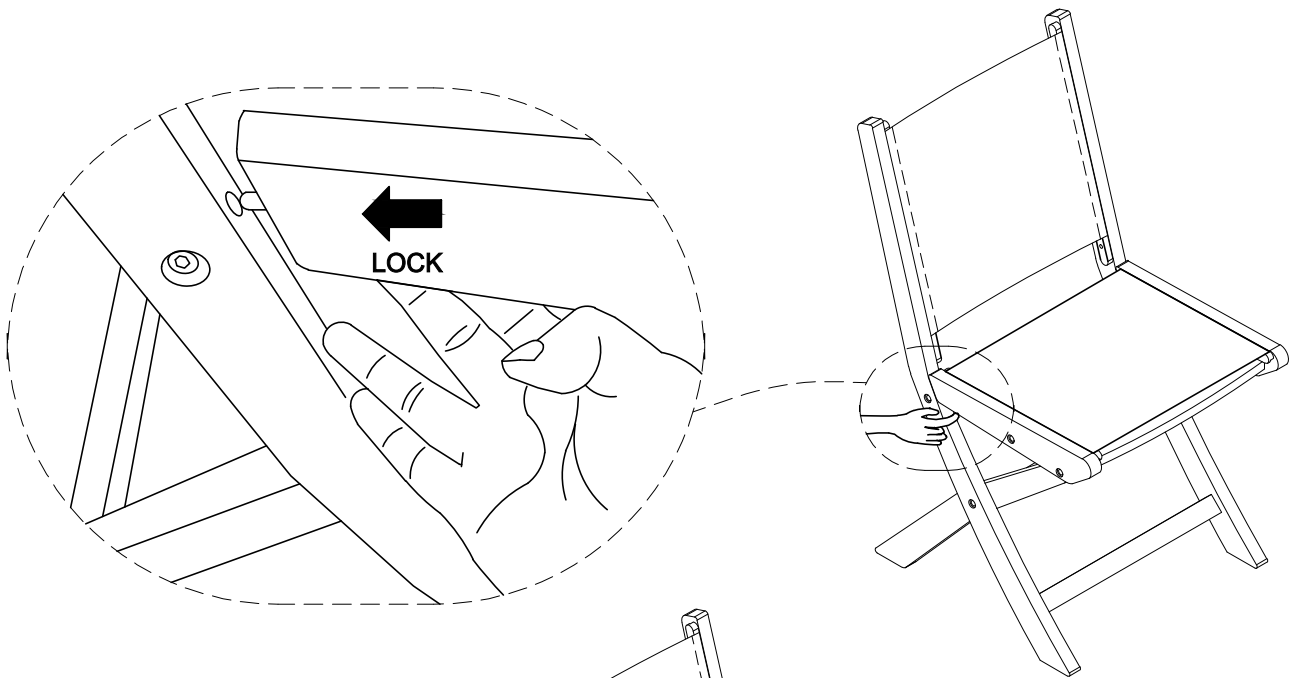
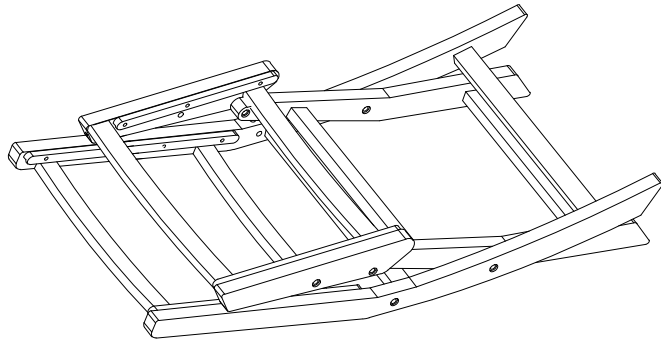
### GETTING STARTED

1. Before assembly, **CAREFULLY** use scissors or utility knife to cut and unwrap all parts. Make sure you do not discard the hardware.
2. Make sure that you have all the parts listed. If you are missing any parts, please email Customer Service: Please identify the parts you need and model number. Make sure to include your name and address.
3. Please include your **Order Number** and **platform of purchase** in the email subject, and one of our customer service representative will get back to you.

#### Warm Tips:

1. The plastic covers on some metal parts are just for product protection. Please remove it before assembly.
2. Please follow the sequence of AI during assembly.
3. Do not tighten the screws until all of them are in right positions.

- 1 Take the chair from carton and unfold the chair . Make sure the spring insert the hole completely .(Photo 1)



You have completed assembling the furniture - enjoy!