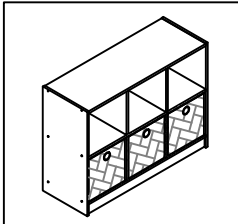
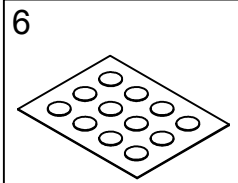


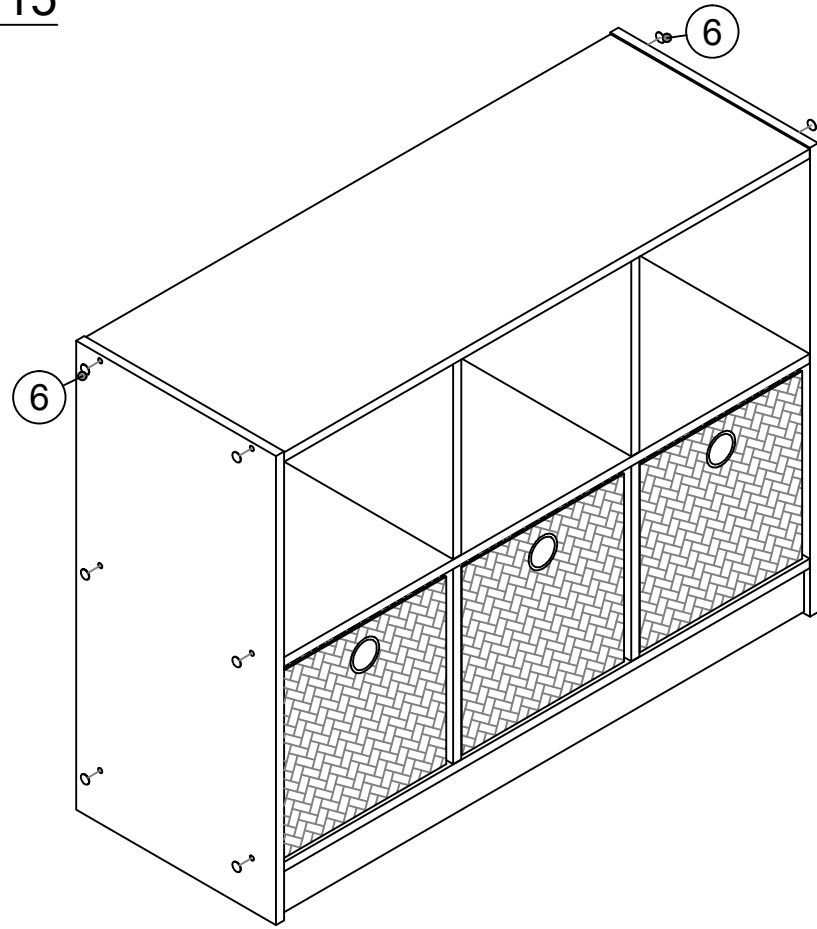
STEP 15



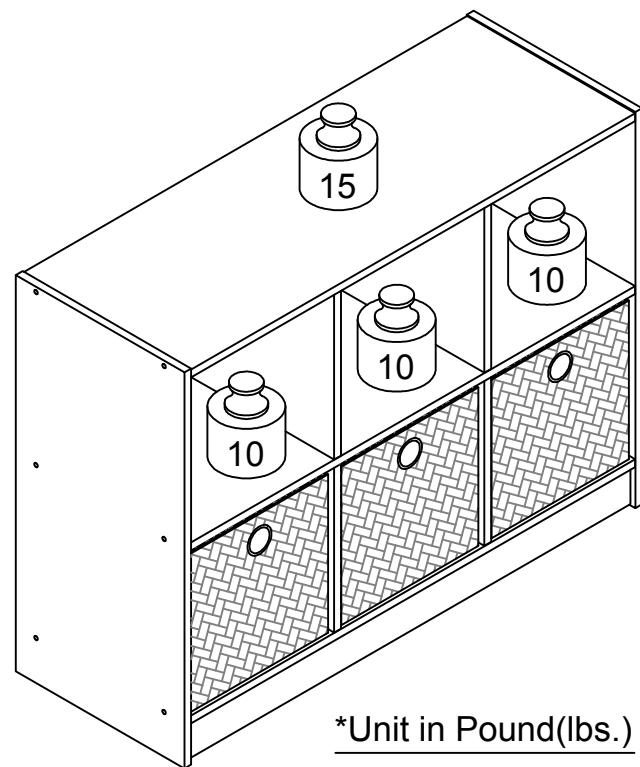
ASSEMBLED UNIT



STICKER 1 SET



Recommended Maximum Weight



*Unit in Pound(lbs.)

WARNING:

- >This unit has been designed to support the maximum loads shown. Exceeding these load limits could cause sagging, instability, product collapse, and/or serious injury.
- >DO NOT allow children to climb on unit.
- > Put heavier items on lower shelves.

Assembly Instruction

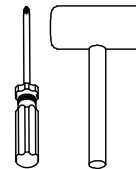
Furinno Basic 3x2 Bookcase Storage w/Bins

00:30

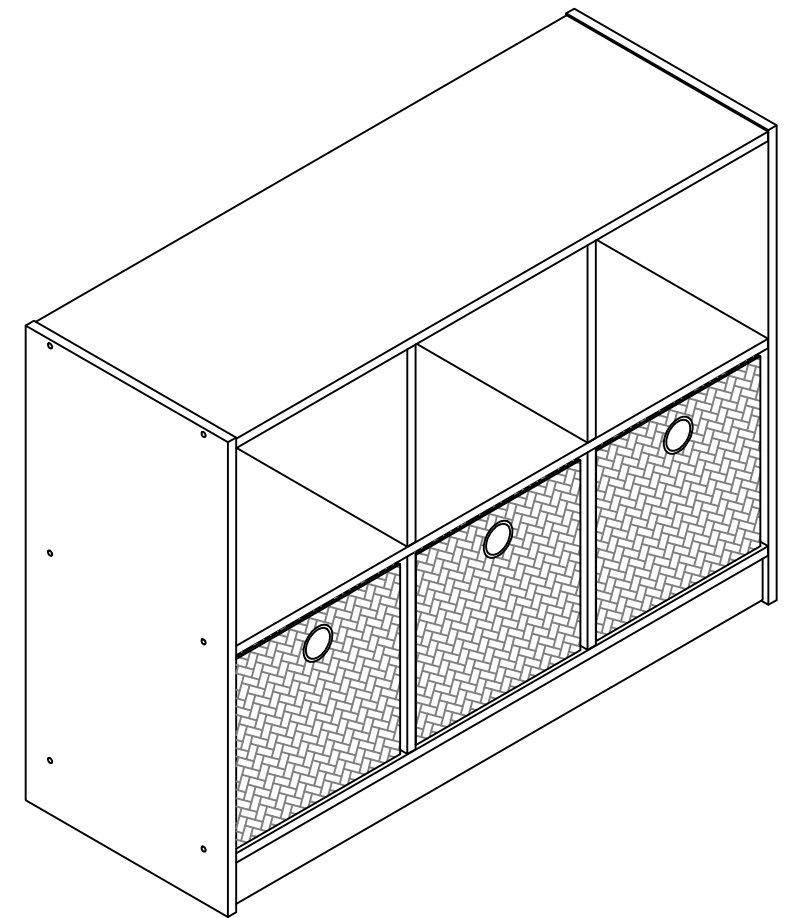
Approx. 30 minutes



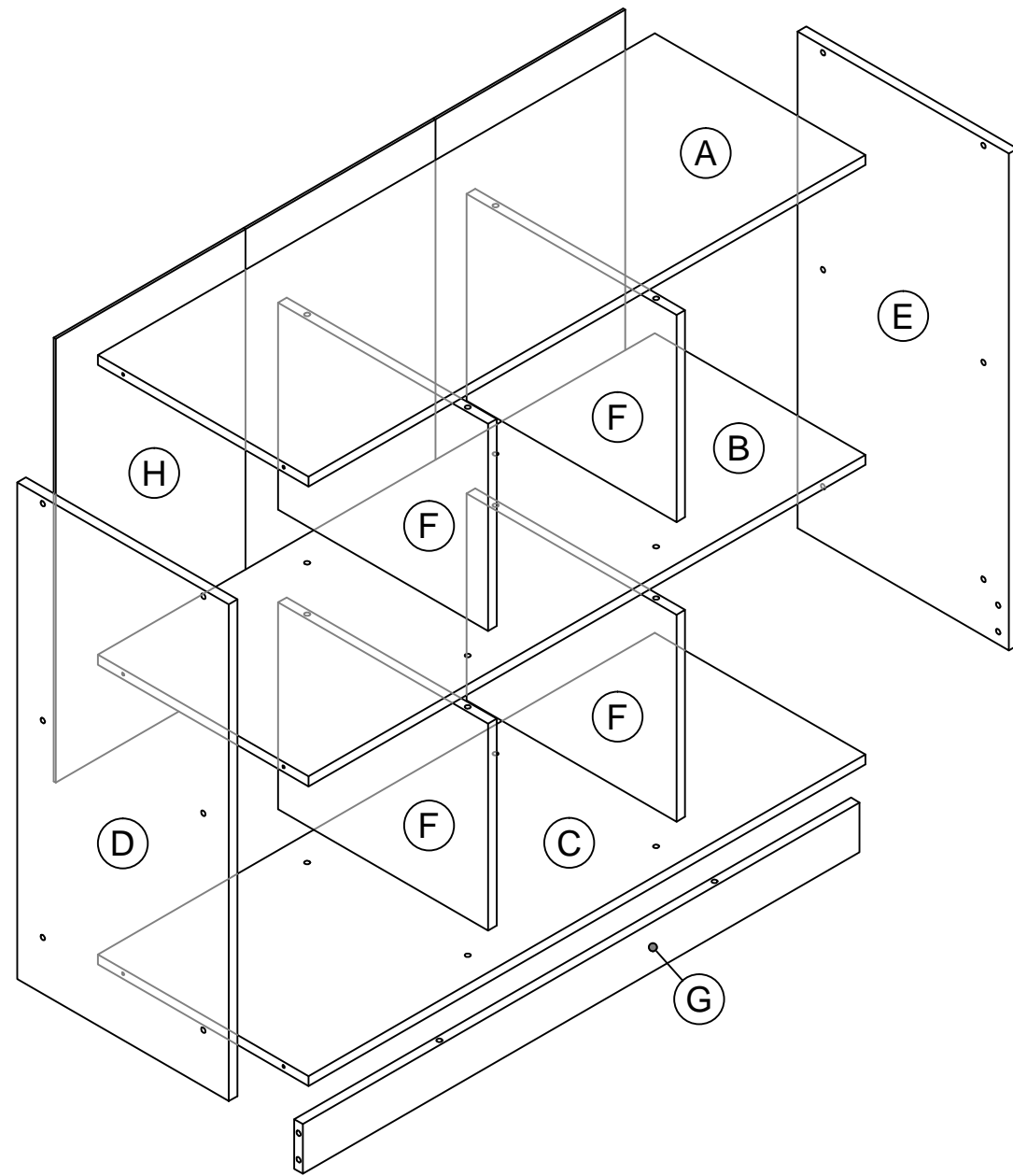
Recomm. 2 Person



Tool Required



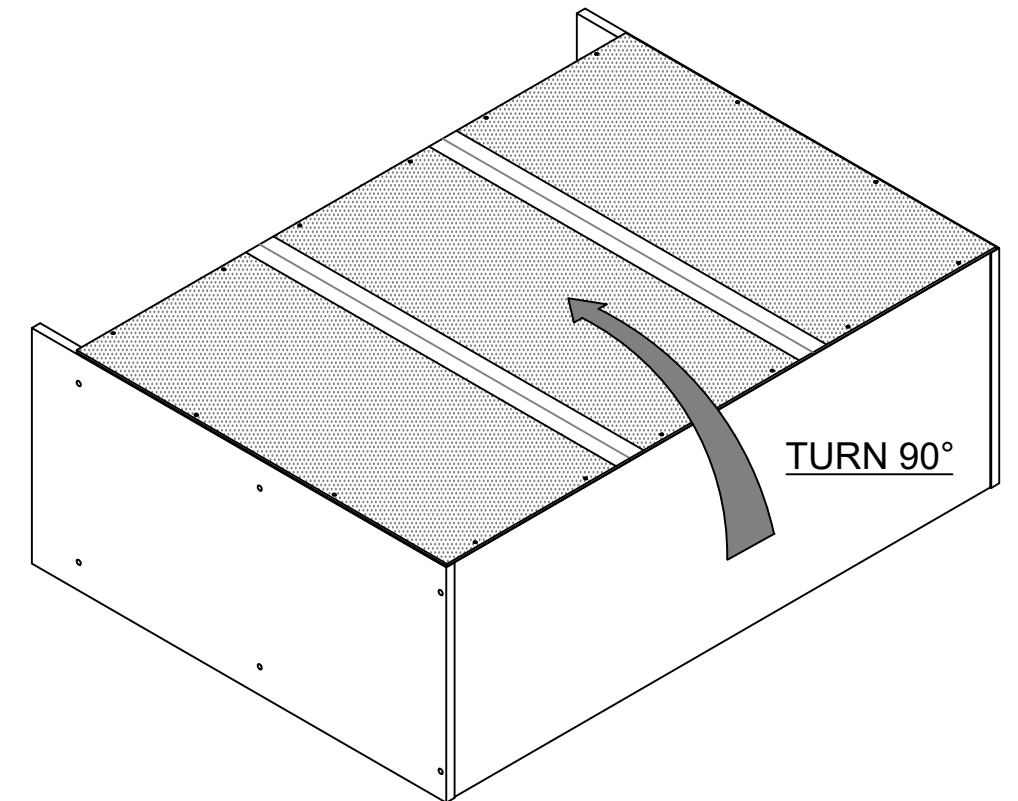
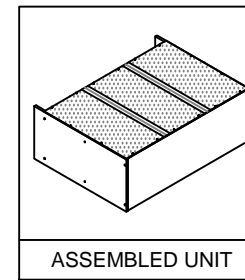
EXPLODED VIEW



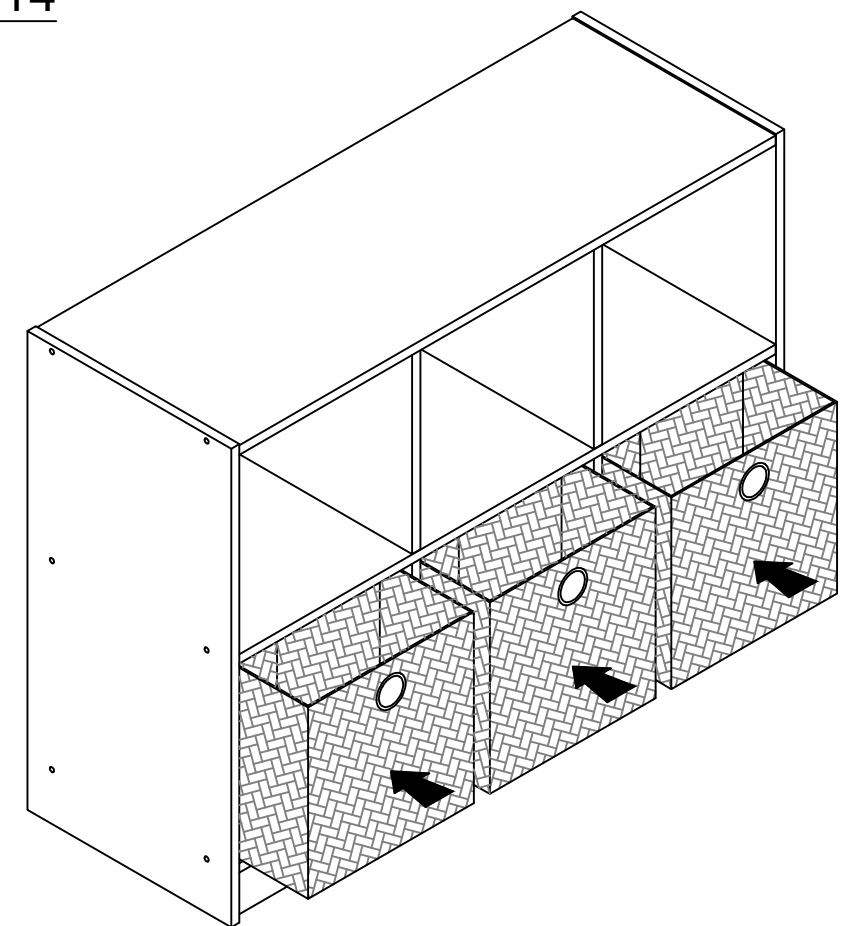
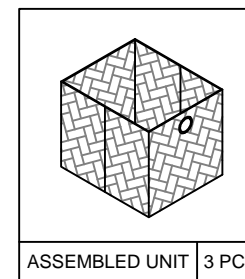
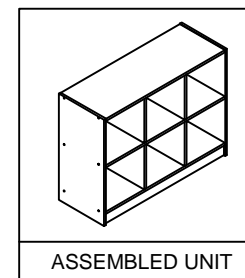
USEFUL HINTS BEFORE YOU START:

1. Read each step carefully before starting.
2. It is important that each step is performed in correct order to avoid difficulties.
3. Identify, soft and count the parts before assembly.
4. Assemble your furniture on packaging cardboard to prevent scratch or damage.
5. Clean the product with mild cleanser using soft damped cloth. Do not use harsh or abrasive cleanser.
6. Using incompatible hardware might cause damage to product.

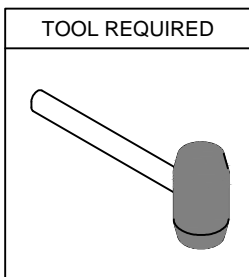
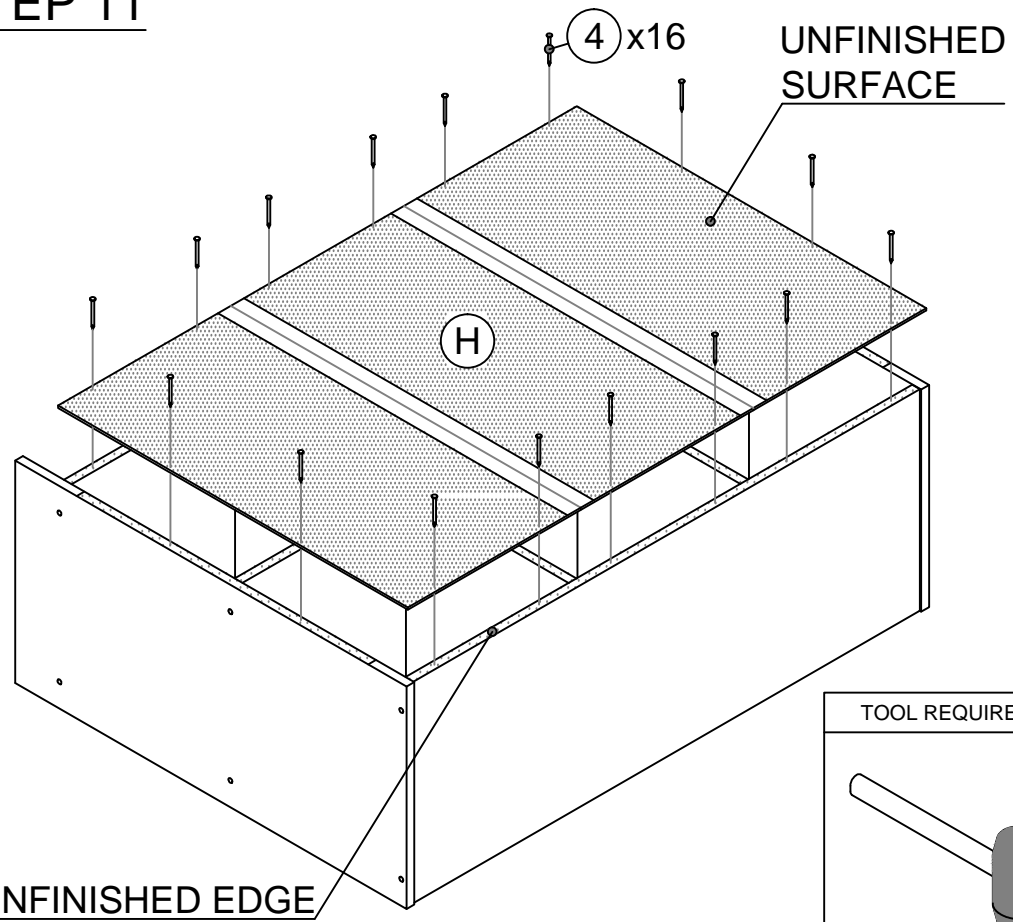
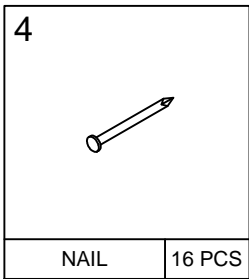
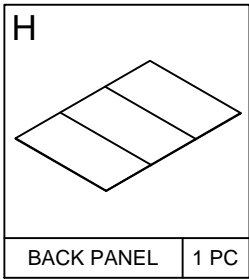
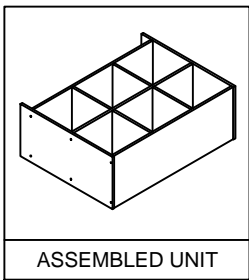
STEP 13



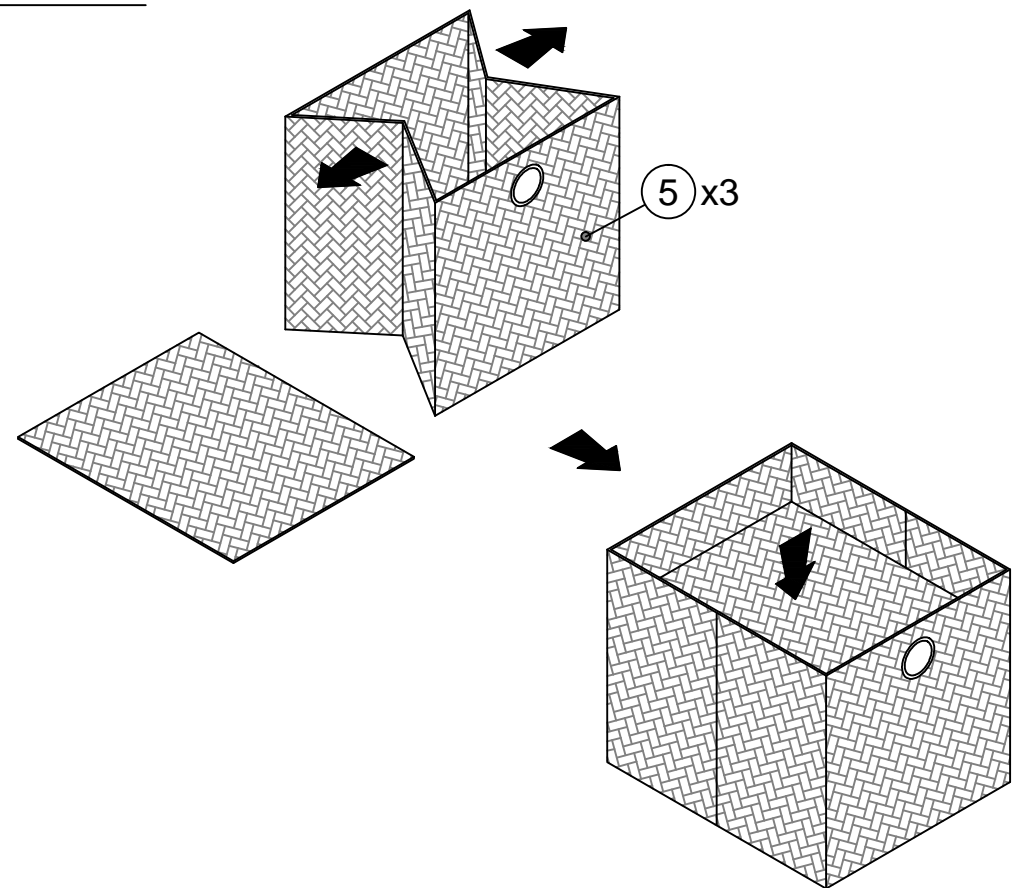
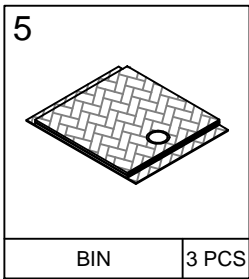
STEP 14



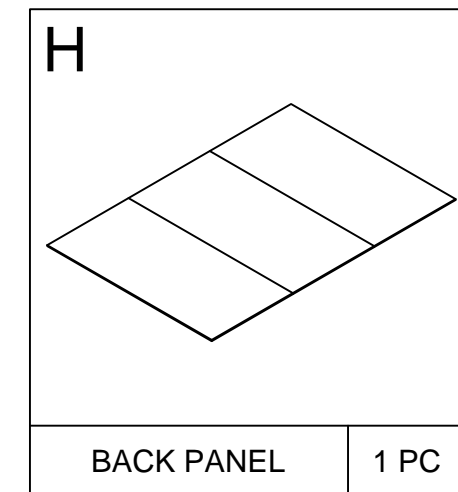
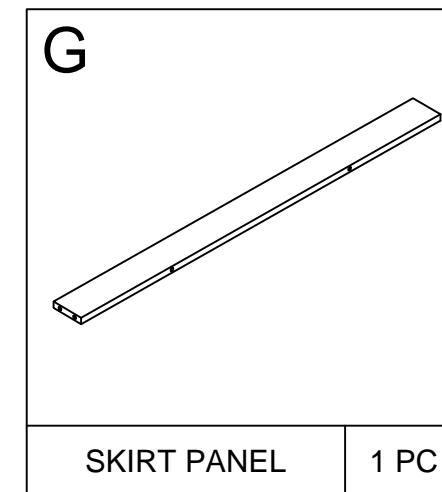
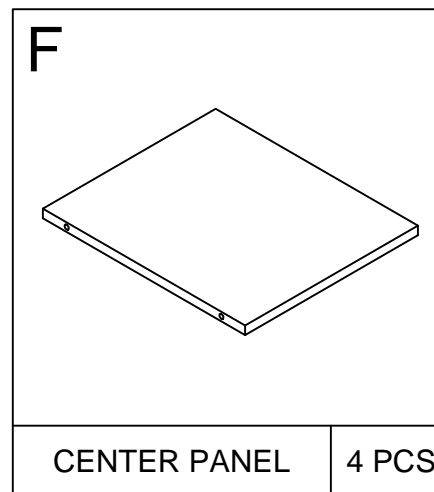
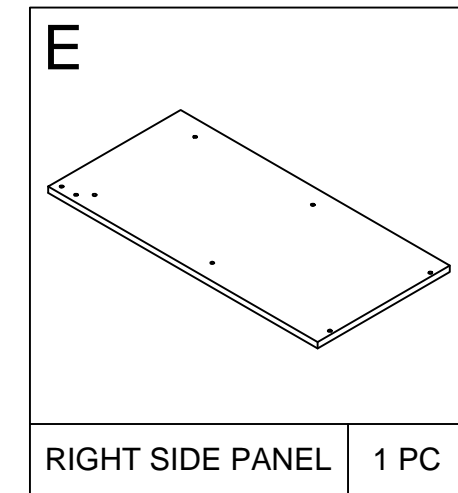
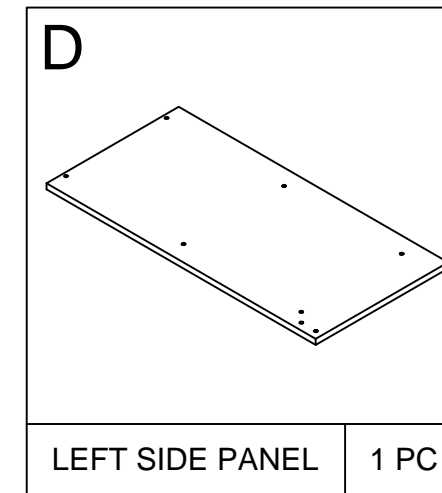
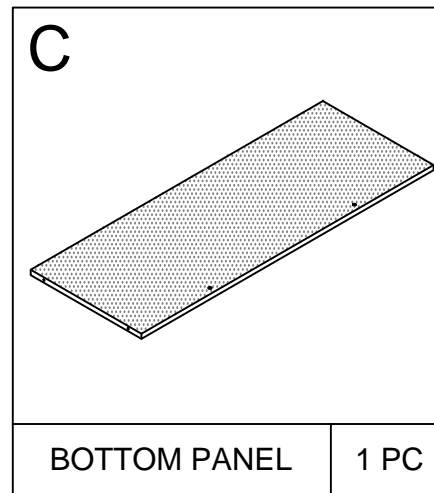
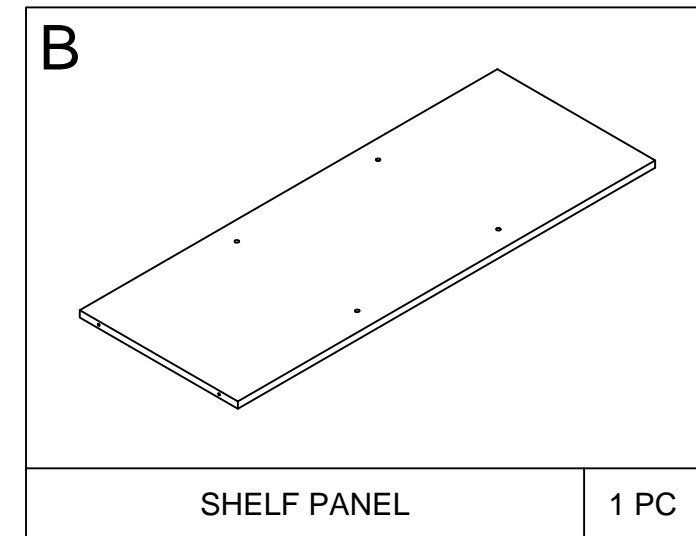
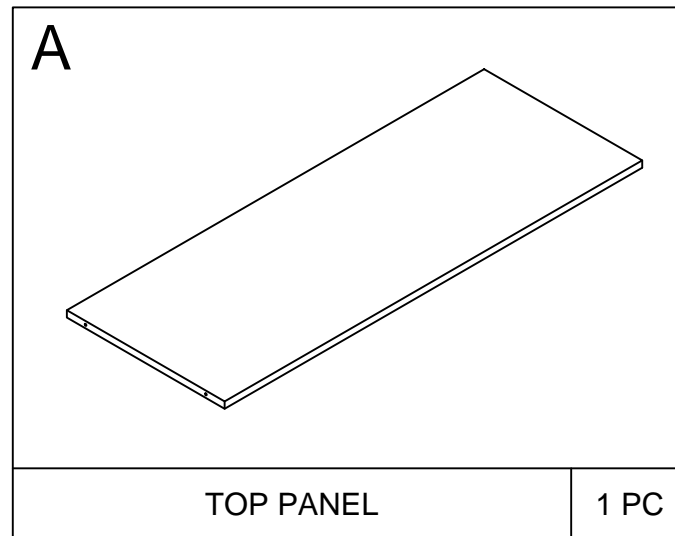
STEP 11



STEP 12

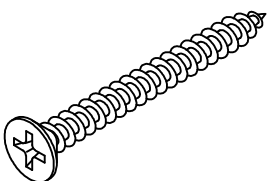


PARTS LIST



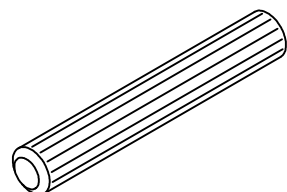
HARDWARE LIST

1



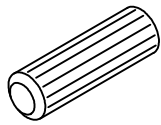
SCREW	12 PCS
-------	--------

2



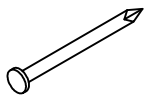
LONG DOWEL	4 PCS
------------	-------

3



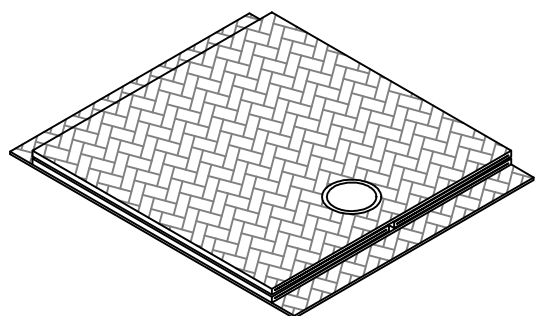
SHORT DOWEL	14 PCS
-------------	--------

4



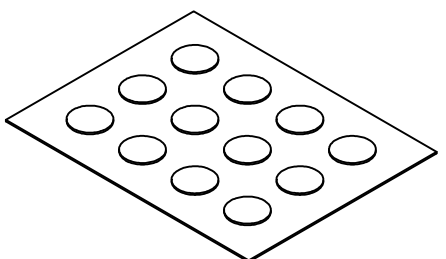
NAIL	16 PCS
------	--------

5

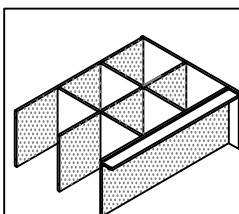


BIN	3 PCS
-----	-------

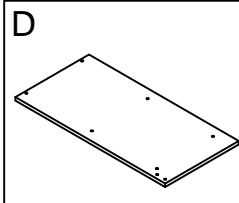
6



STICKER	1 SET
---------	-------

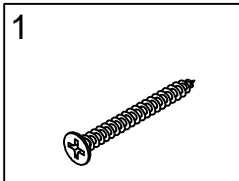


ASSEMBLED UNIT



D

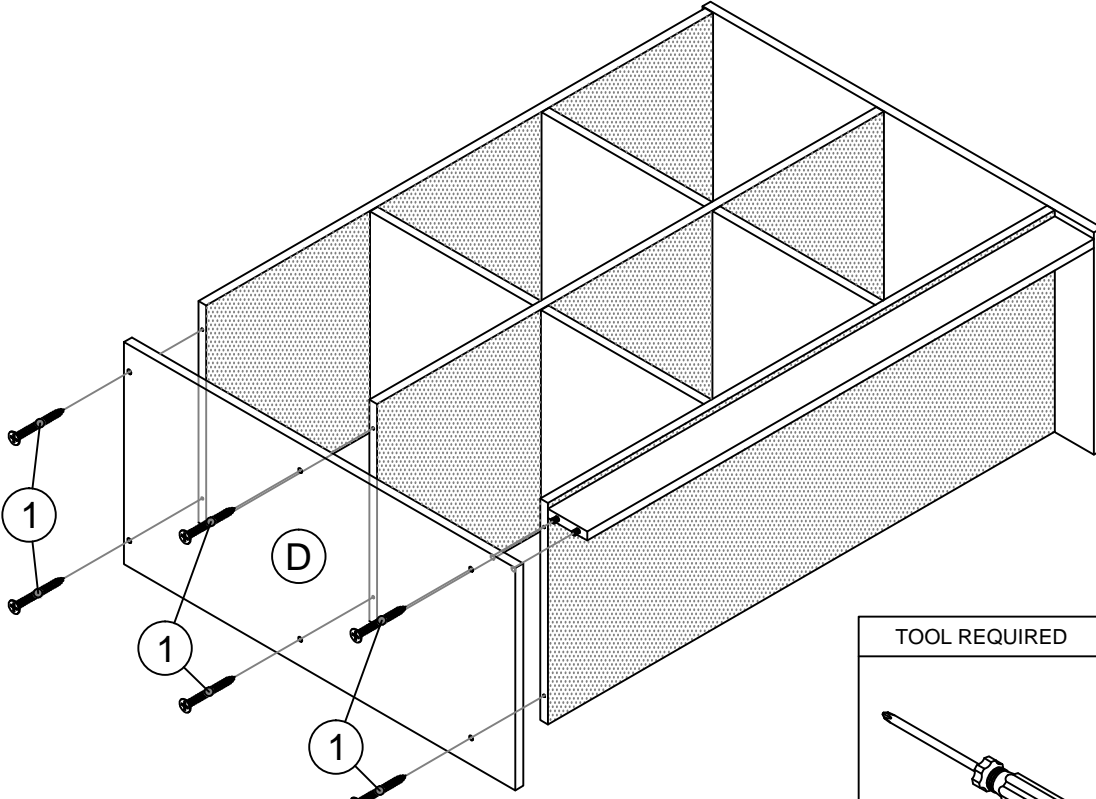
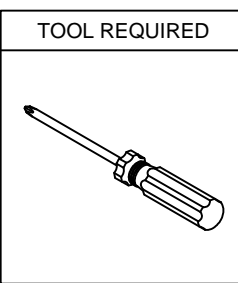
LEFT SIDE PANEL 1 PC



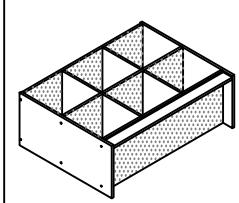
1

SCREW 6 PCS

STEP 9

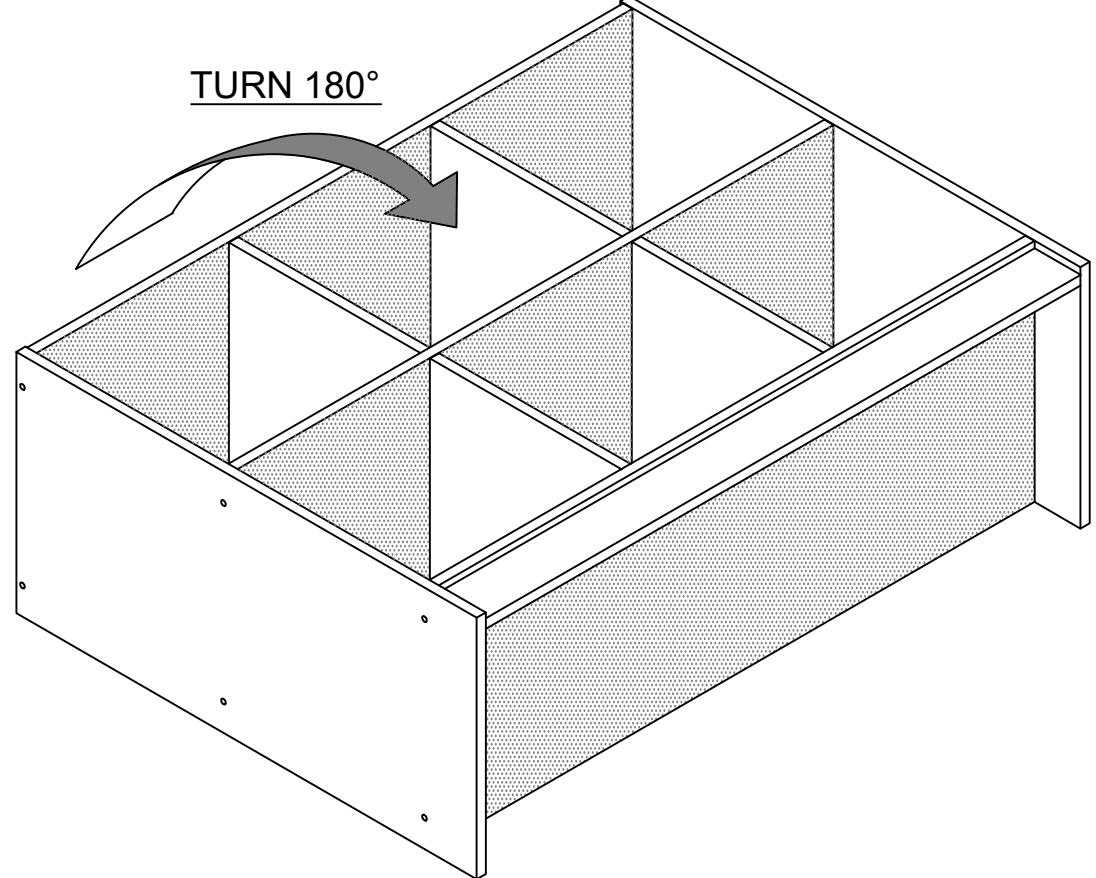



TOOL REQUIRED



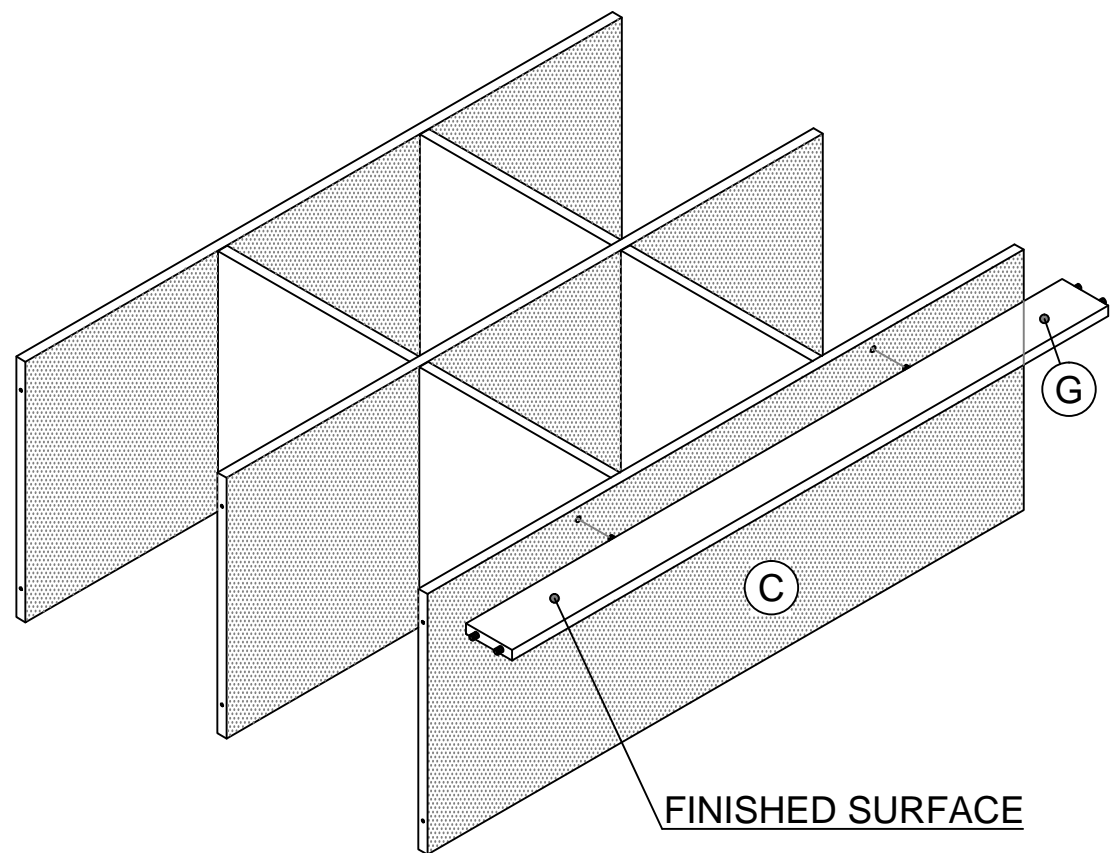
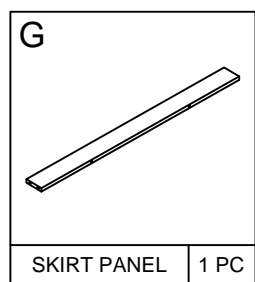
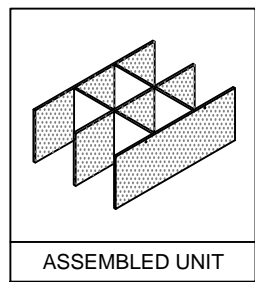
ASSEMBLED UNIT

STEP 10

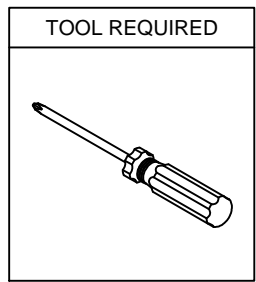
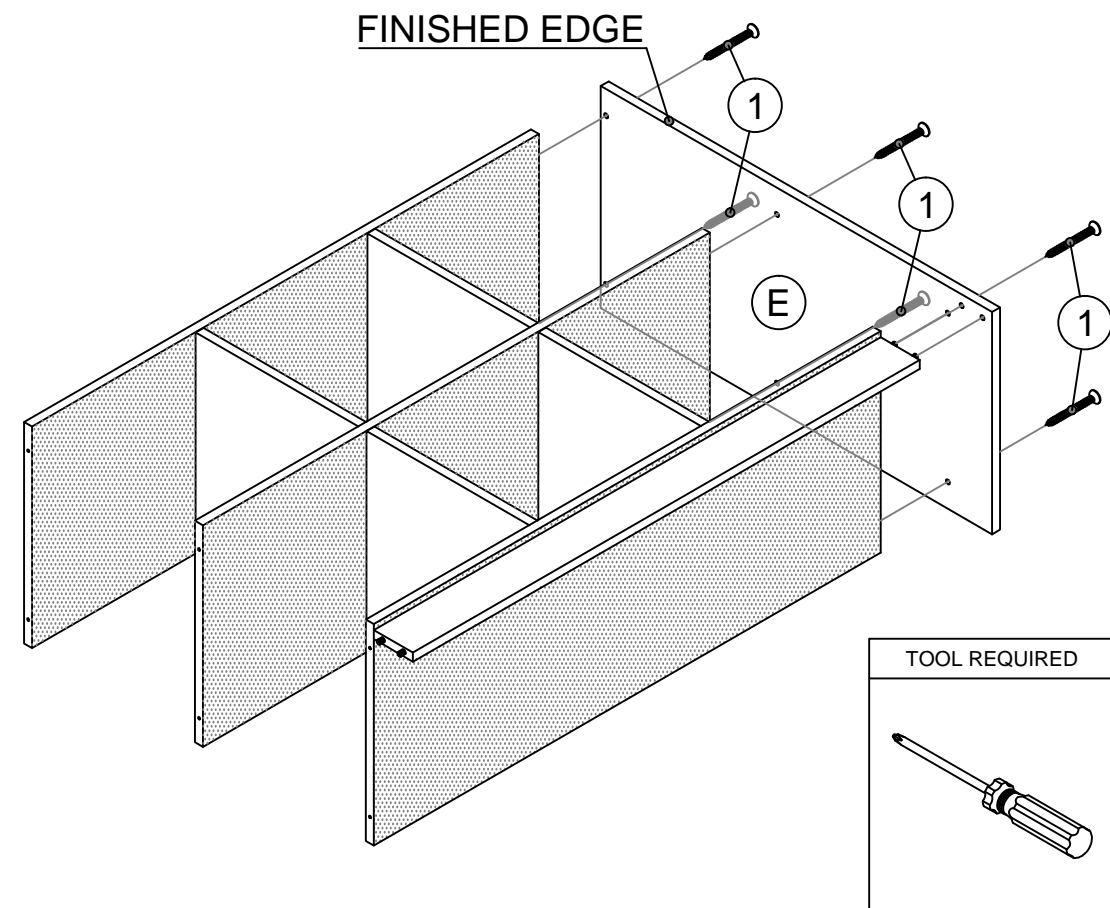
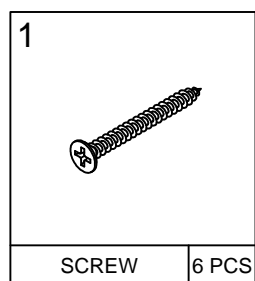
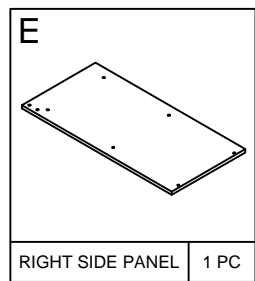
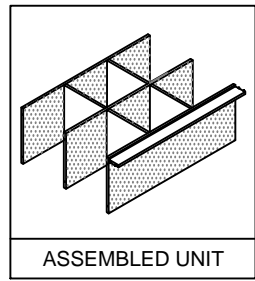


TURN 180°

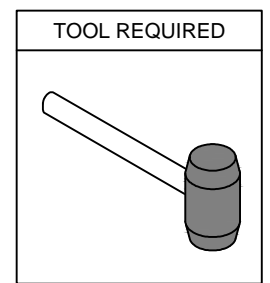
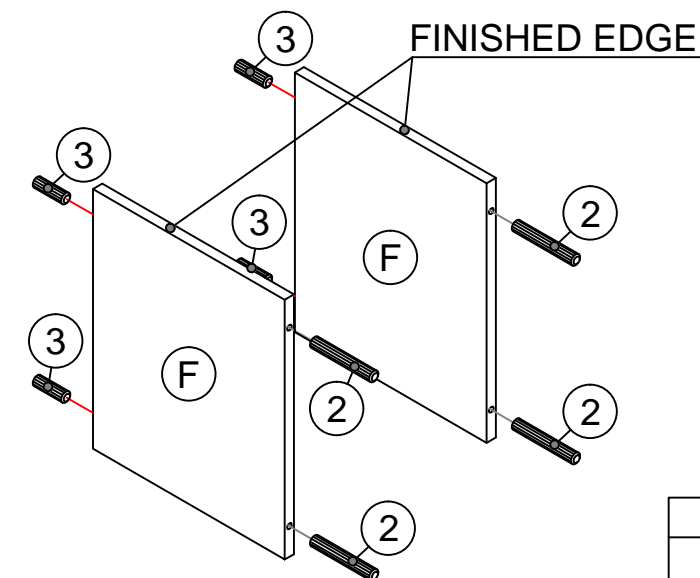
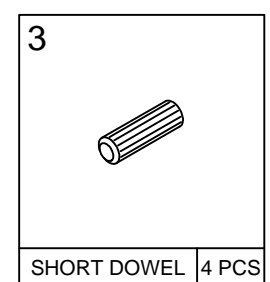
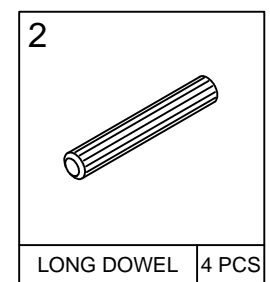
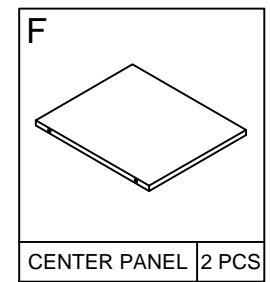
STEP 7



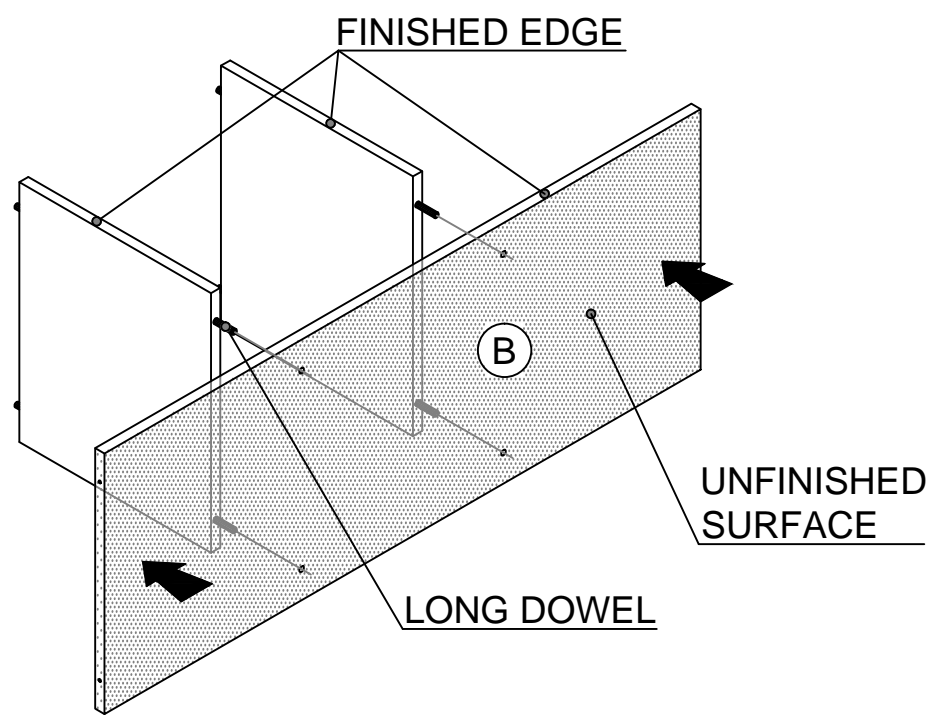
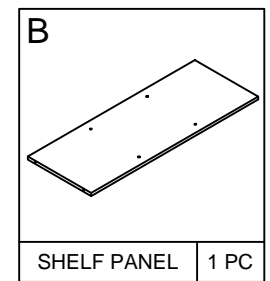
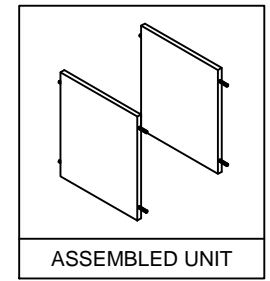
STEP 8

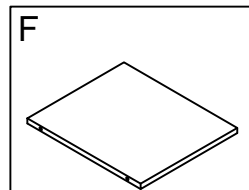


STEP 1

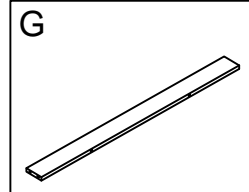


STEP 2

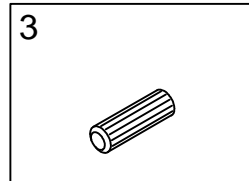




CENTER PANEL 2 PCS

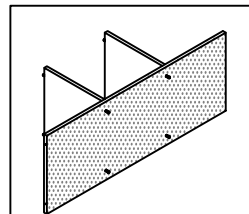
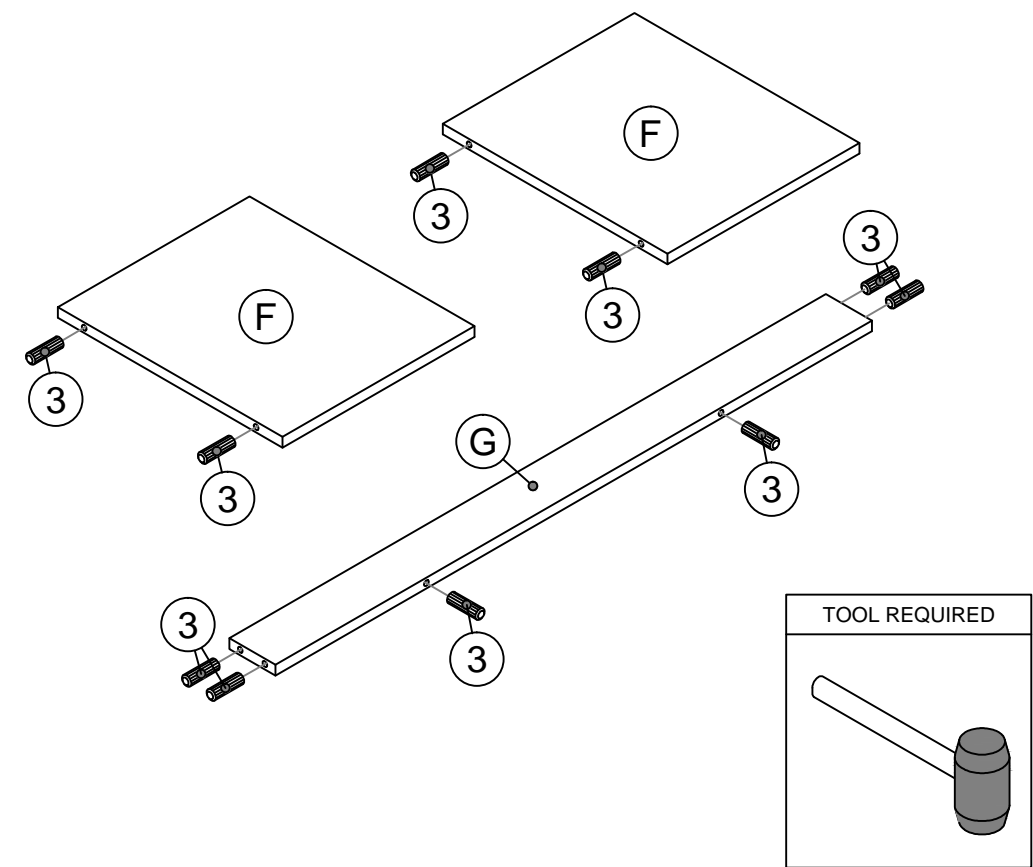


SKIRT PANEL 1 PC

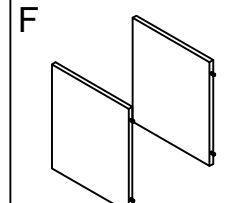


SHORT DOWEL 10 PCS

STEP 3

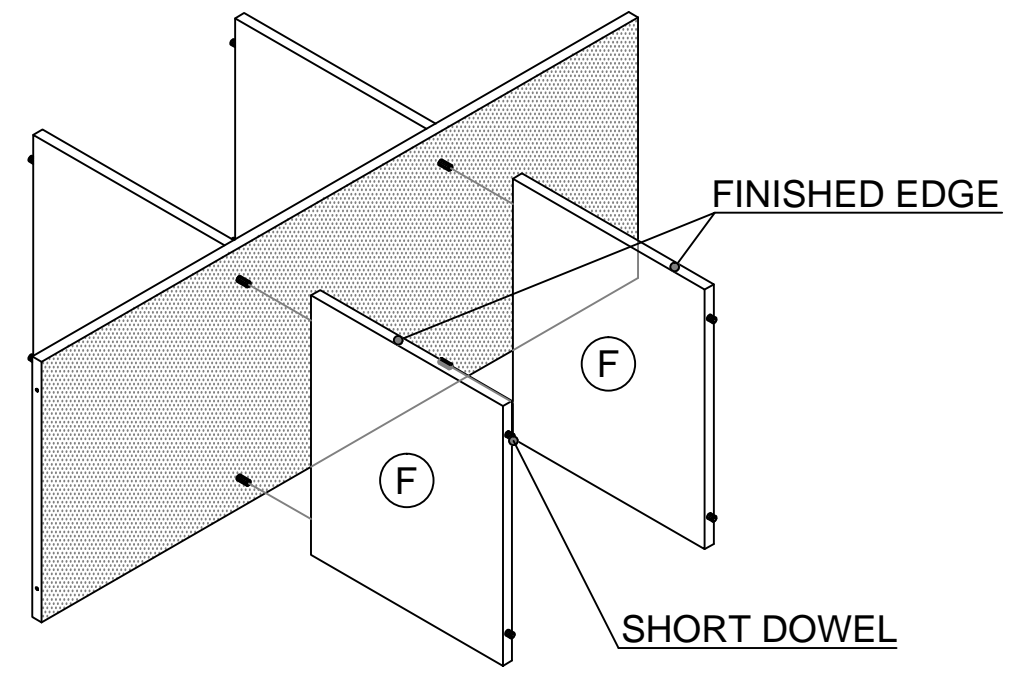


ASSEMBLED UNIT

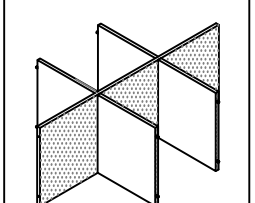


CENTER PANEL 2 PCS

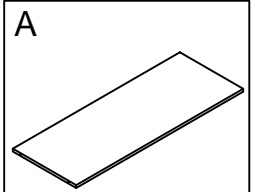
STEP 4



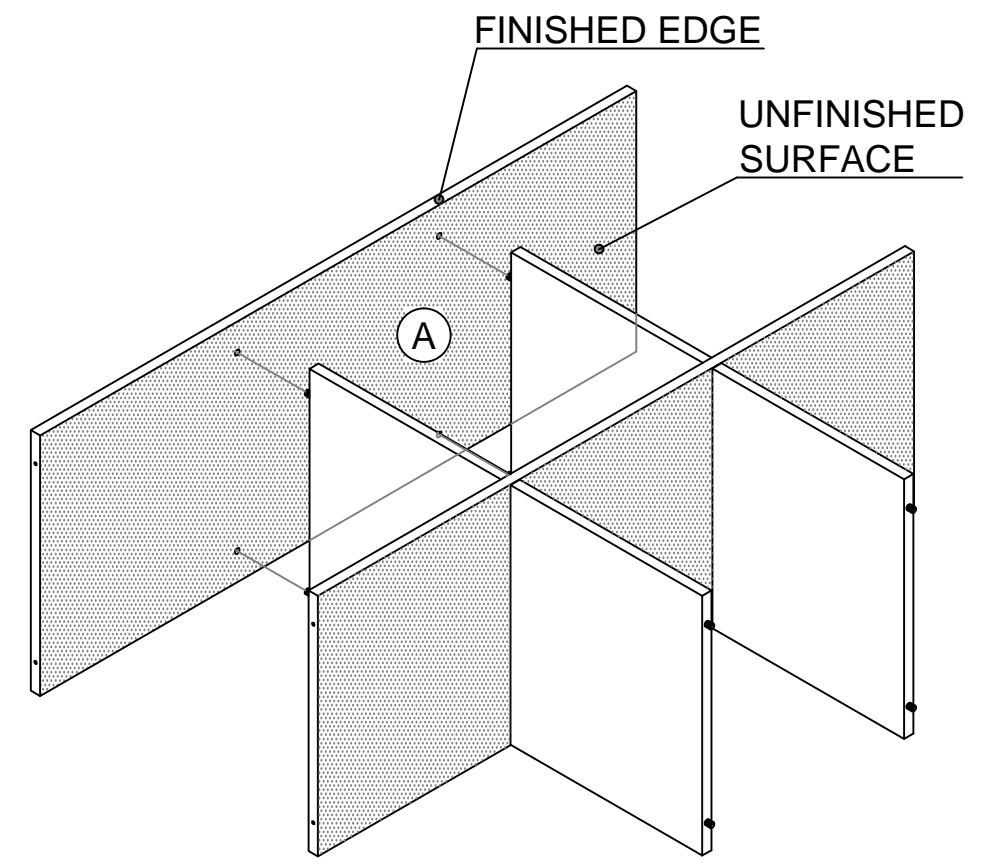
STEP 5



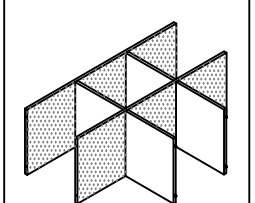
ASSEMBLED UNIT



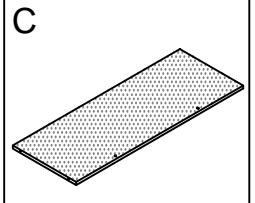
TOP PANEL 1 PC



STEP 6



ASSEMBLED UNIT



BOTTOM PANEL 1 PC

