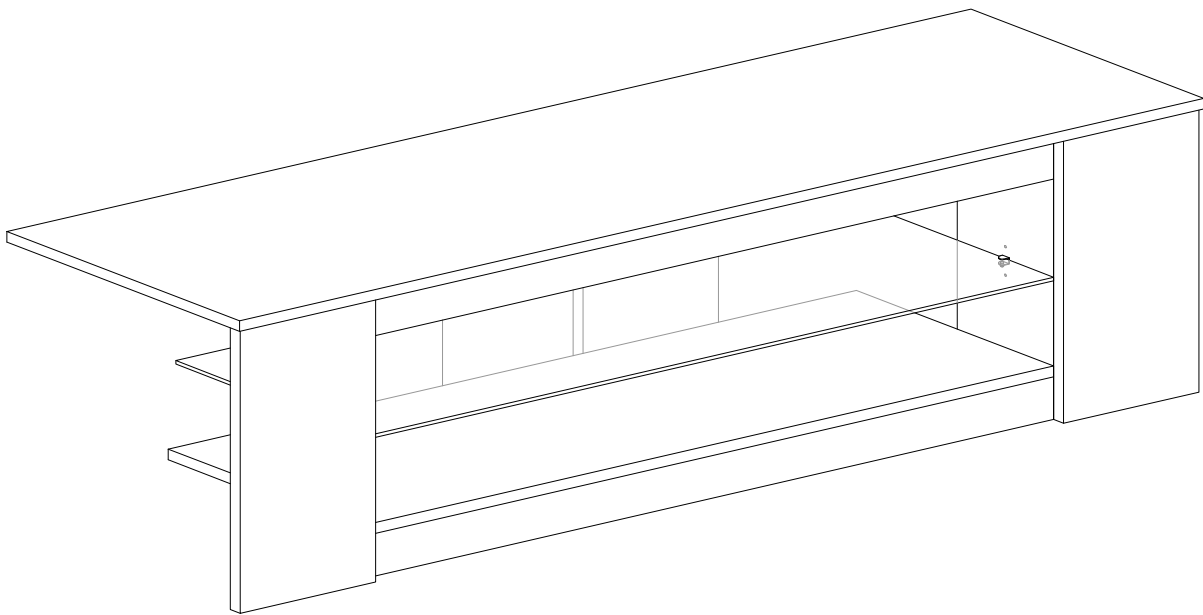
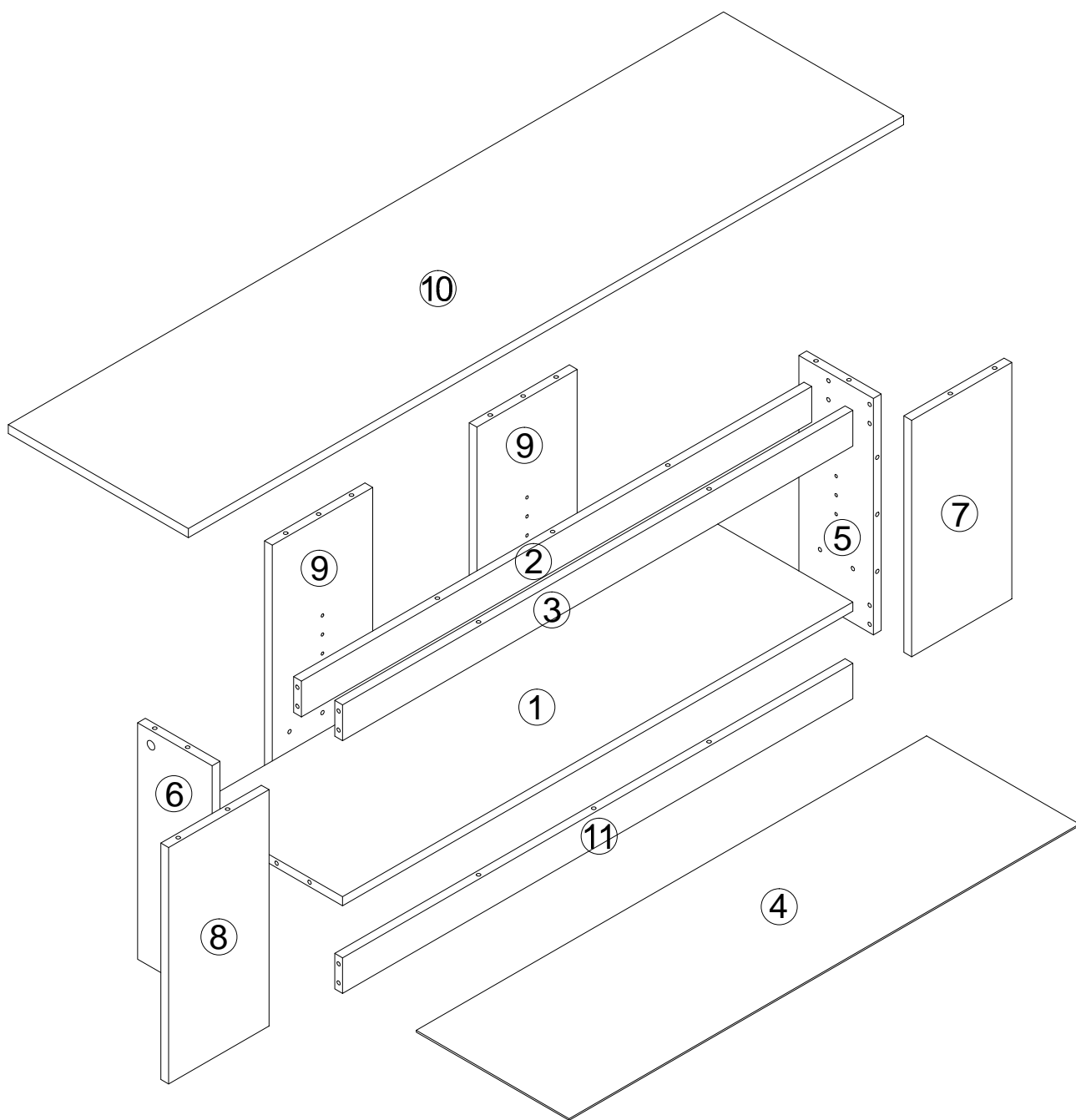


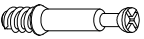


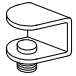
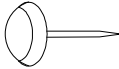
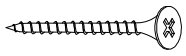
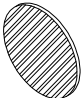
# ASSEMBLY INSTRUCTIONS INSTRUCTIONS D'ASSEMBLAGE



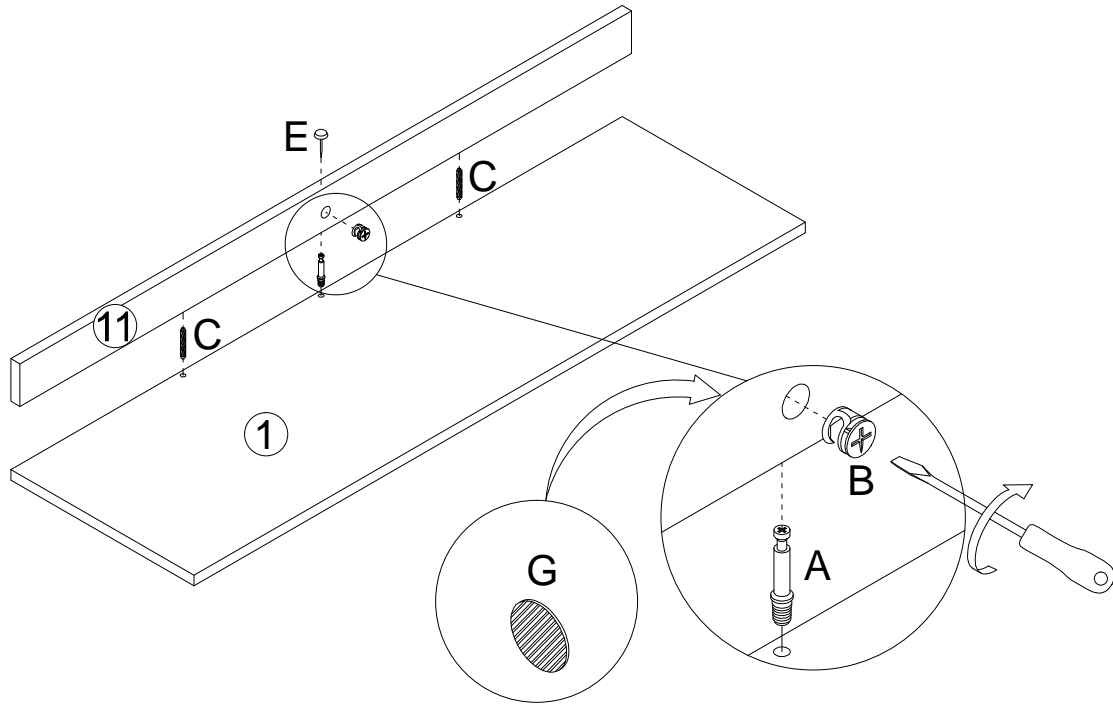
ENTERTAINMENT CENTER/TV STAND - 55" L DARK TAUPE 2 SHELVES/TEMPERED GLASS

CENTRE DE DIVERTISSEMENT/MEUBLE DE TÉLÉVISION - 55" L TAUPE FONCÉ 2 ÉTAGÈRES/VERRE TREMPÉ

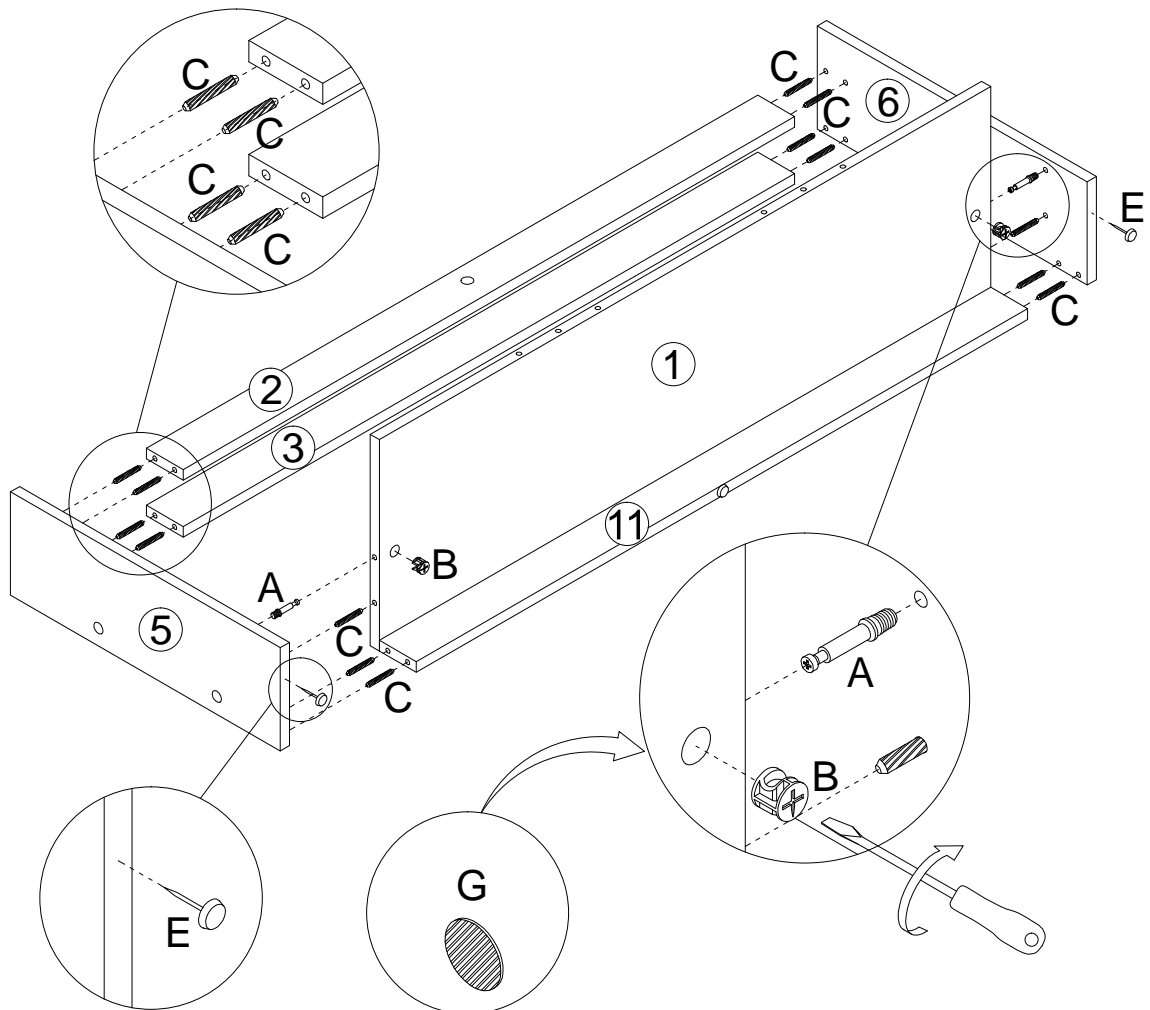


|  |   |   |   |  |   |   |      |   |      |   |      |   |       |
|--|---|---|---|--|---|---|------|---|------|---|------|---|-------|
|  |  |  |  |  |  |  |      |   |      |   |      |   |       |
|  | Ø15x12mm  | 8x30mm  |   |  | 4x40mm  | Ø20mm   |      |   |      |   |      |   |       |
| A  | 14PCS   | B   | 14PCS   | C  | 32PCS   | D   | 4PCS | E | 7PCS | F | 4PCS | G | 14PCS |

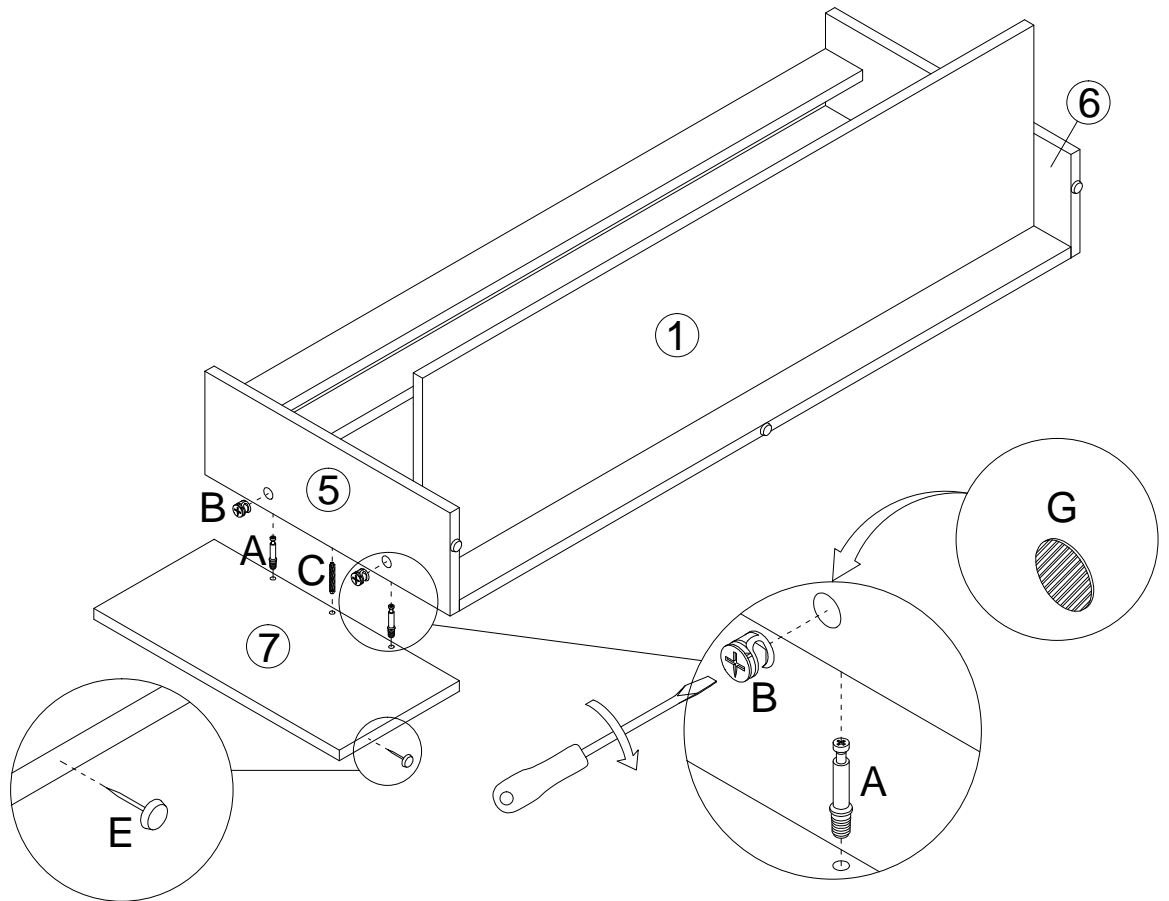
# step 1



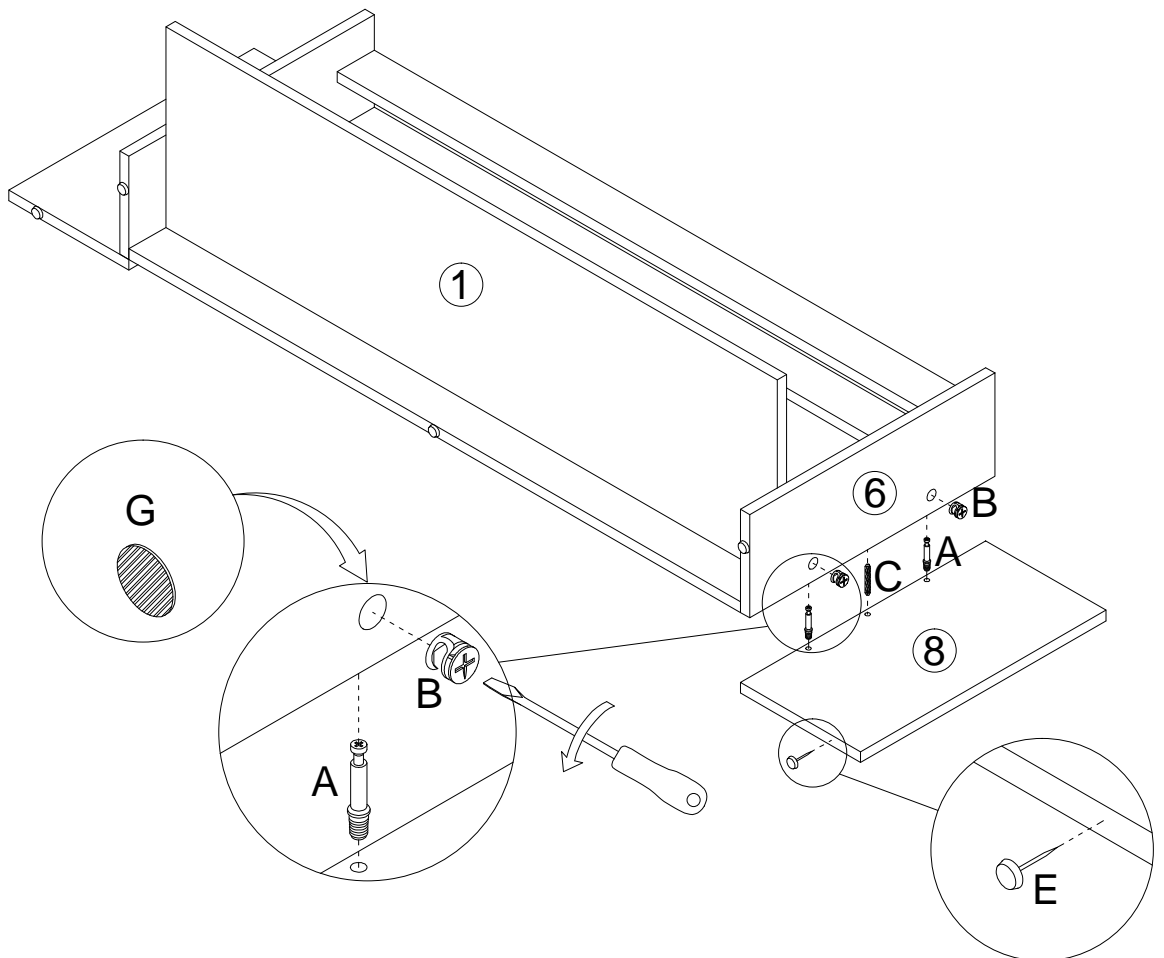
# step 2



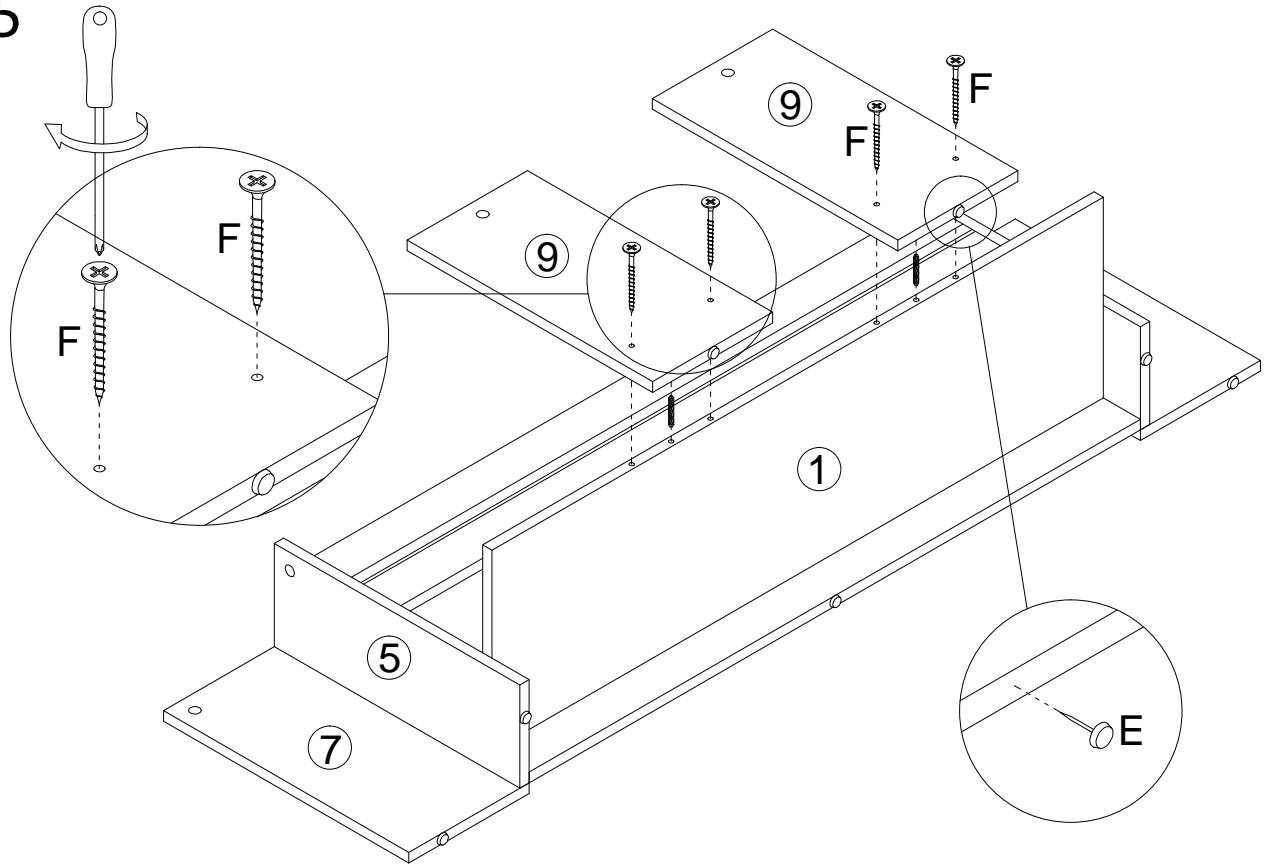
### step 3



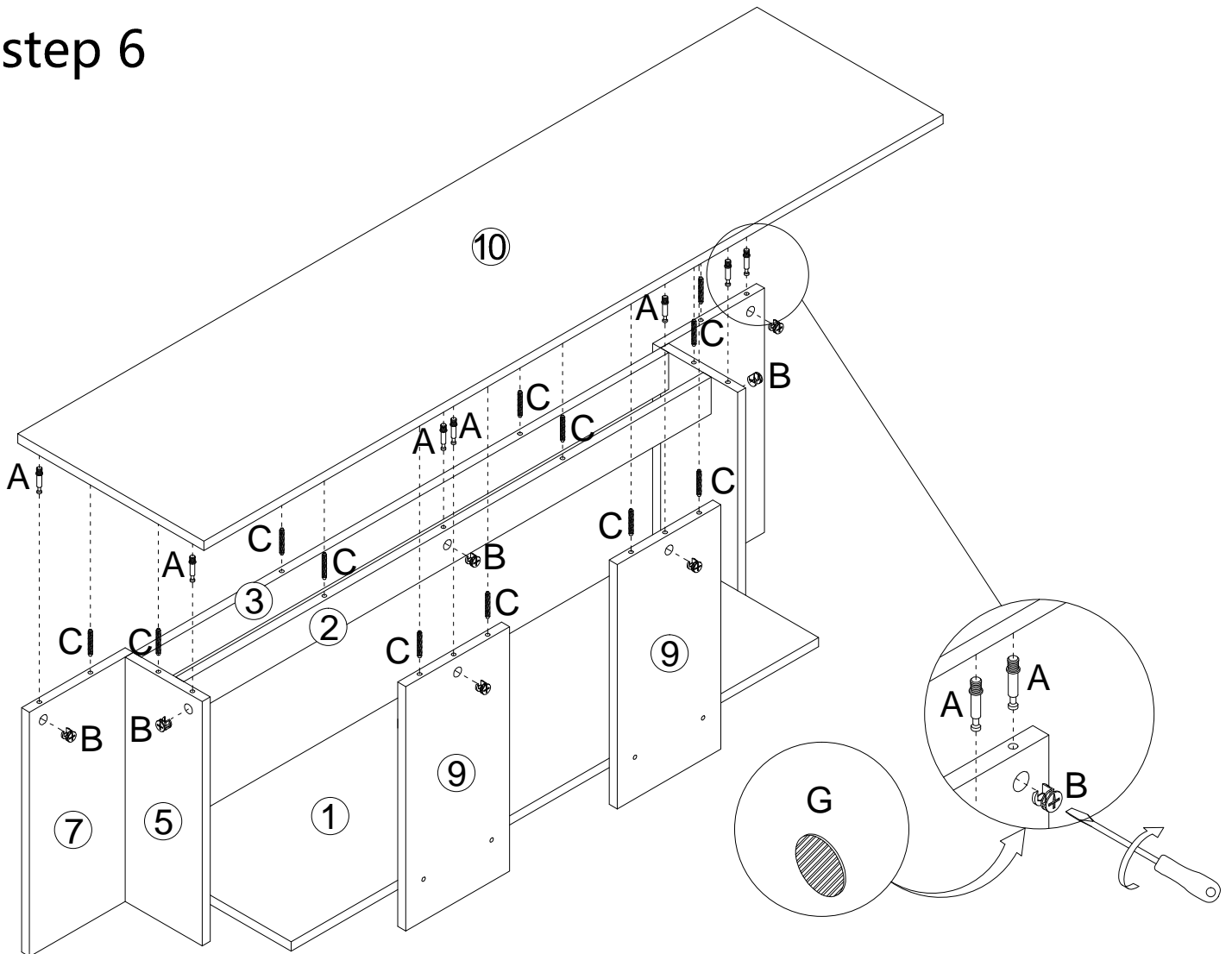
### step 4



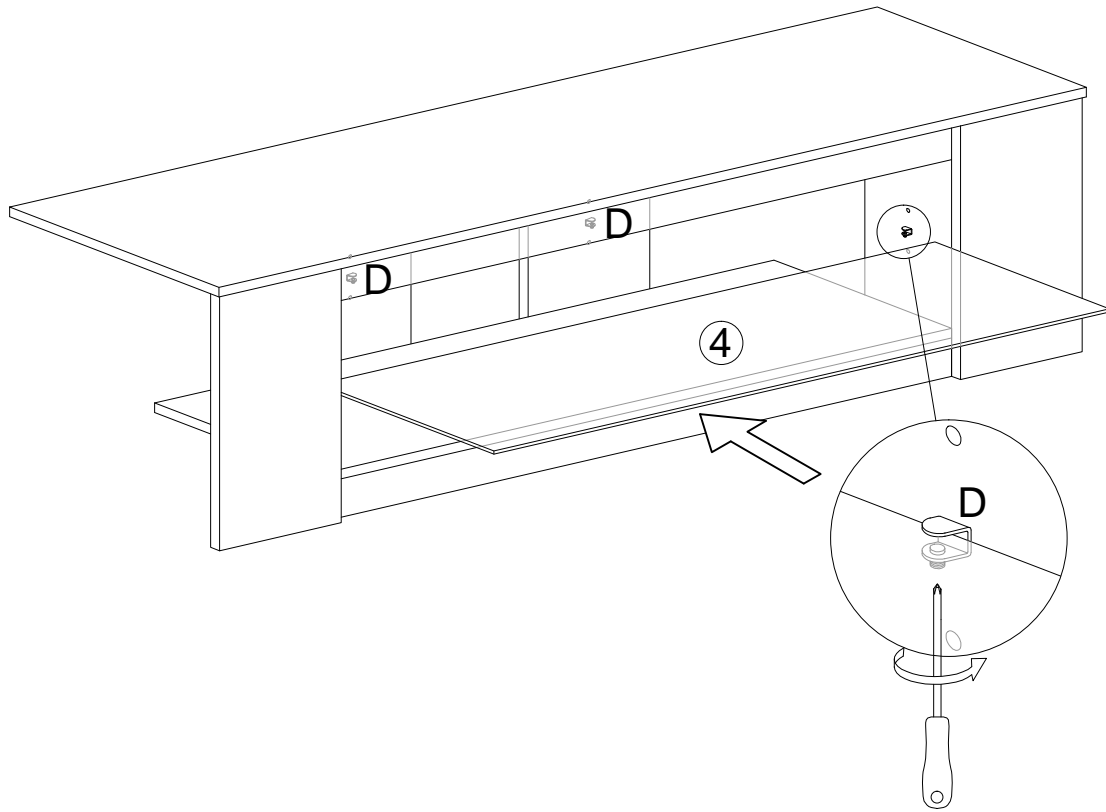
# step 5



# step 6



step 7



step 8

