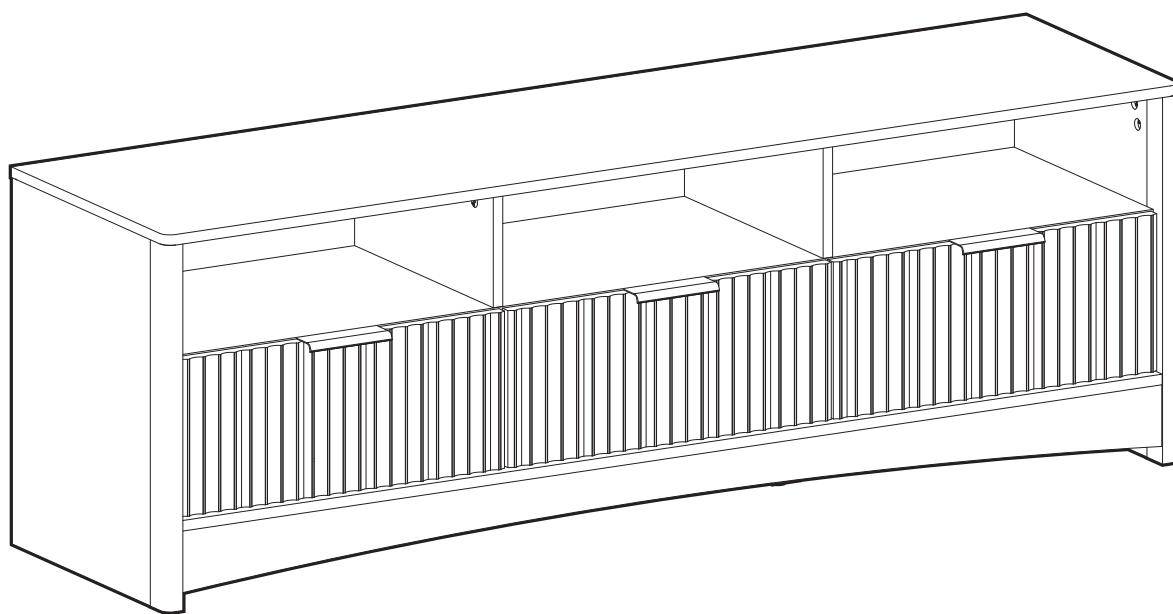
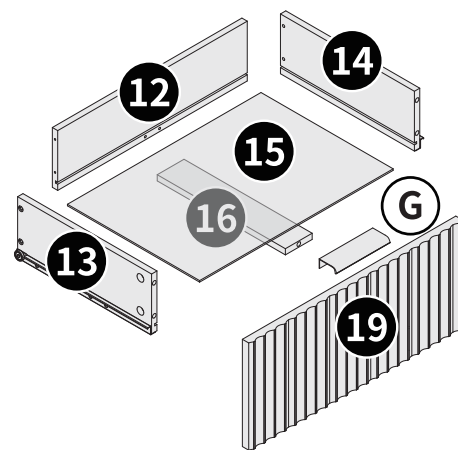
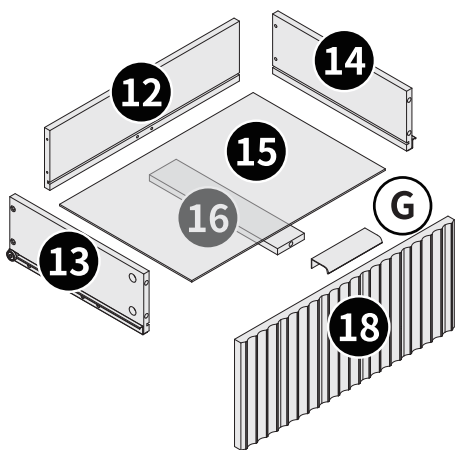
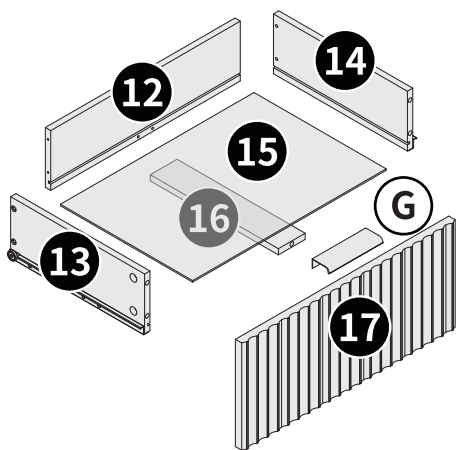
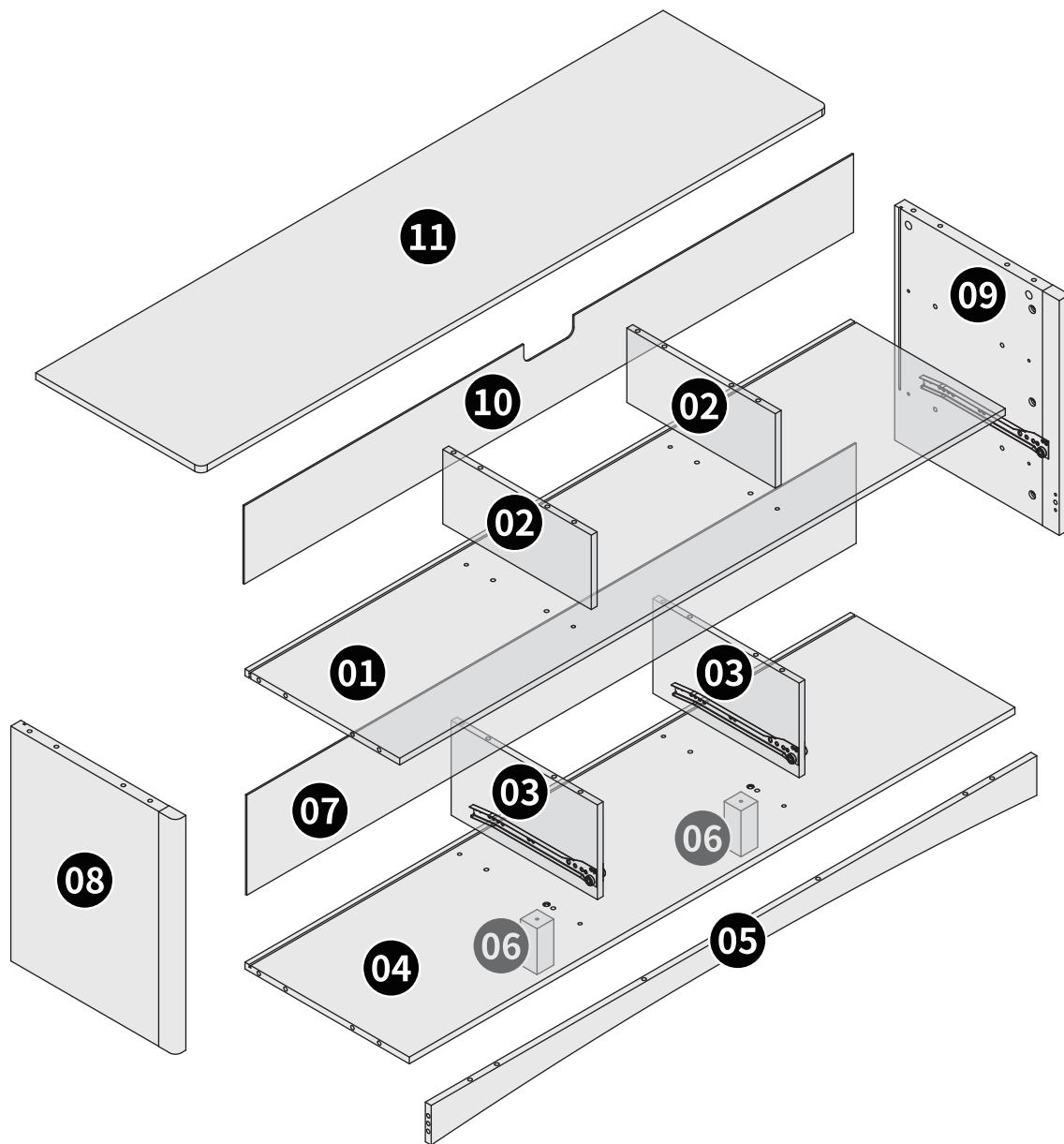
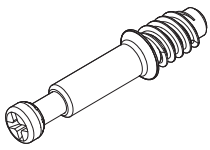
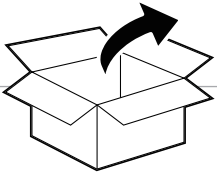
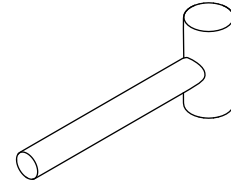
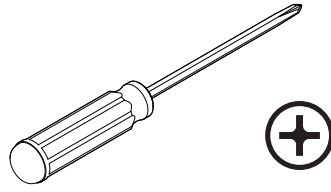
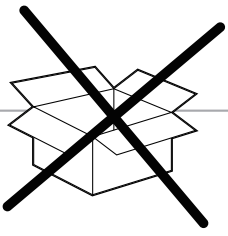


Installation & Assembly

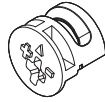






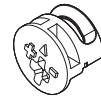
Ø6 x 35mm

(A) x 43



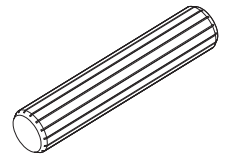
Ø15 x 11mm

(B1) x 28



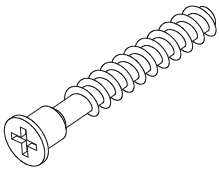
Ø15 x 9mm

(B2) x 15



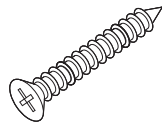
Ø8 x 30mm

(C) x 32



Ø6 x 50mm

(D) x 10



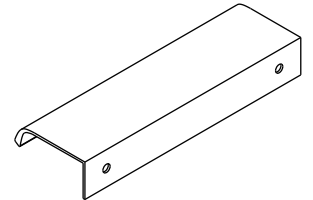
Ø4 x 38mm

(E) x 18



Ø3.5 x 12mm

(F) x 6



(G) x 3



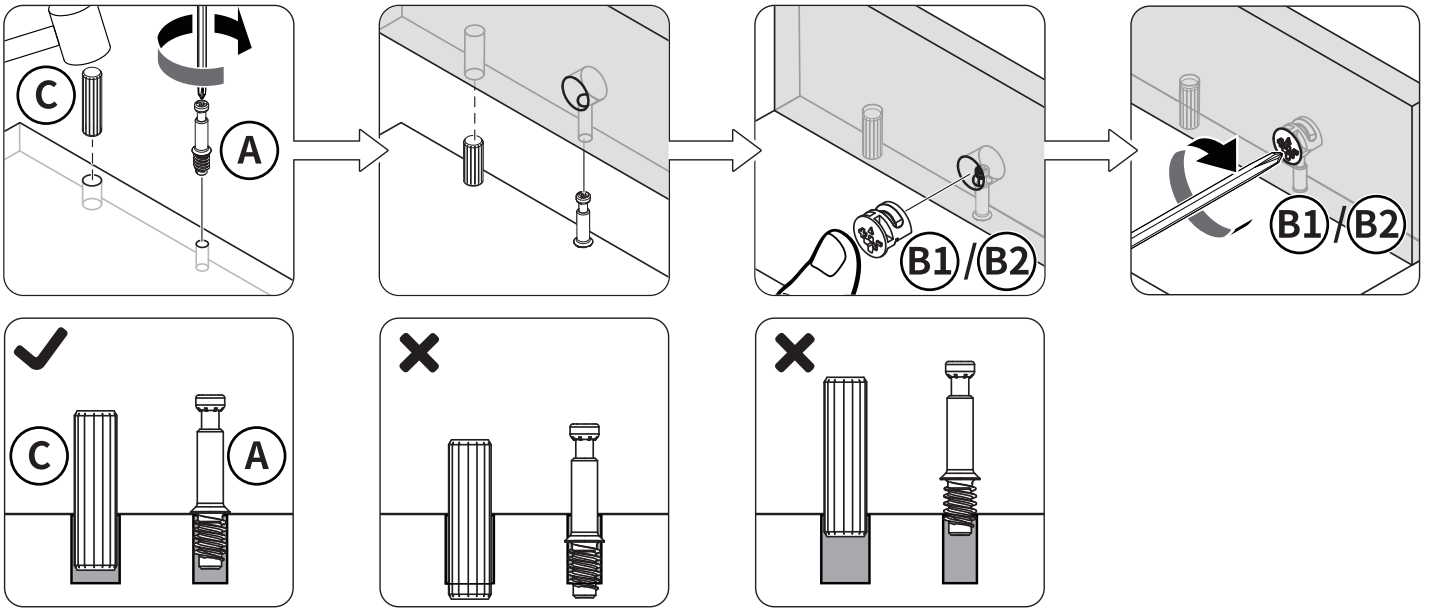
(H) x 16



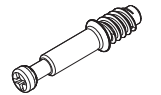
Ø3 x 17mm

(I) x 16

Installation Guide

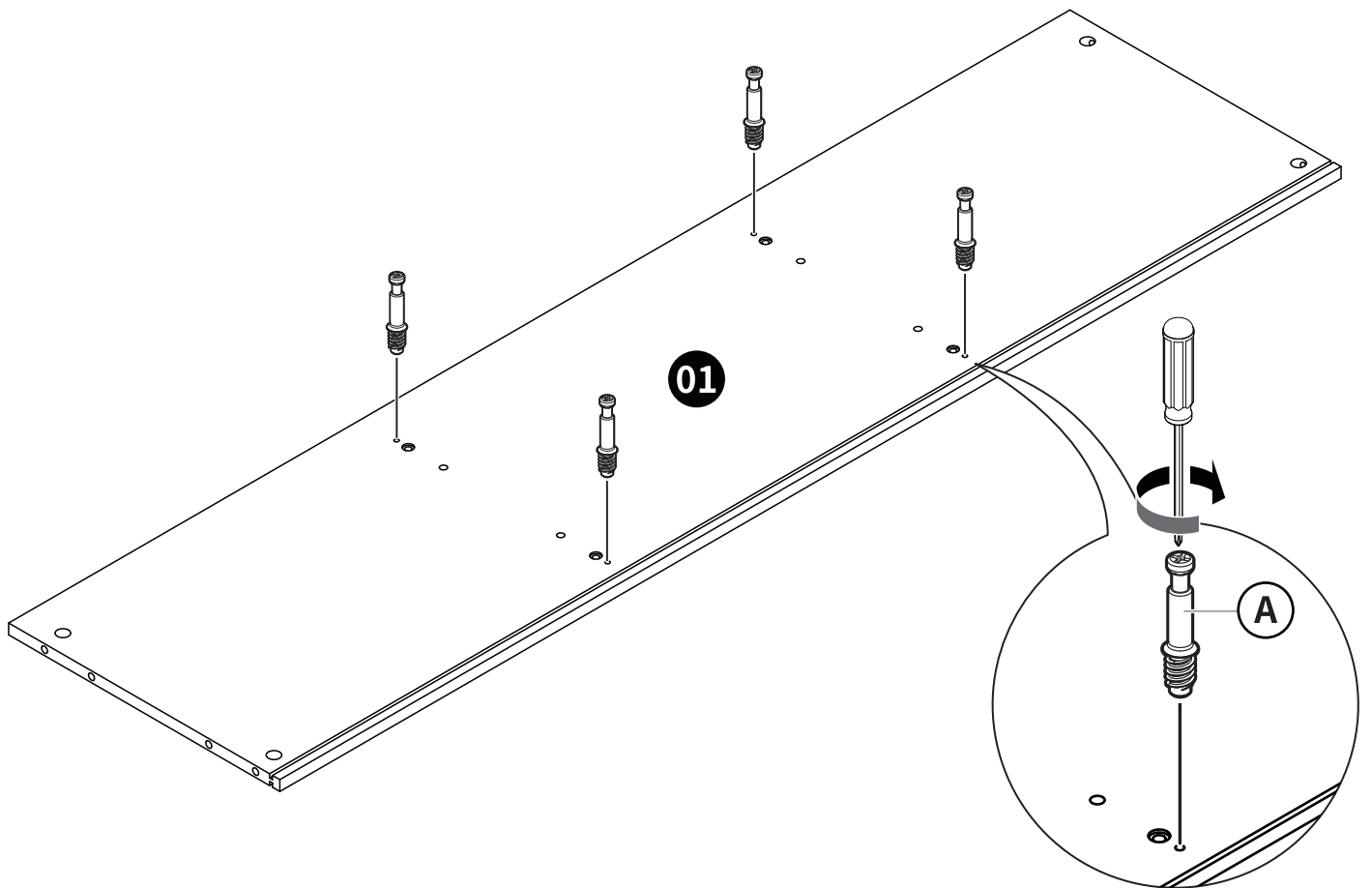


1

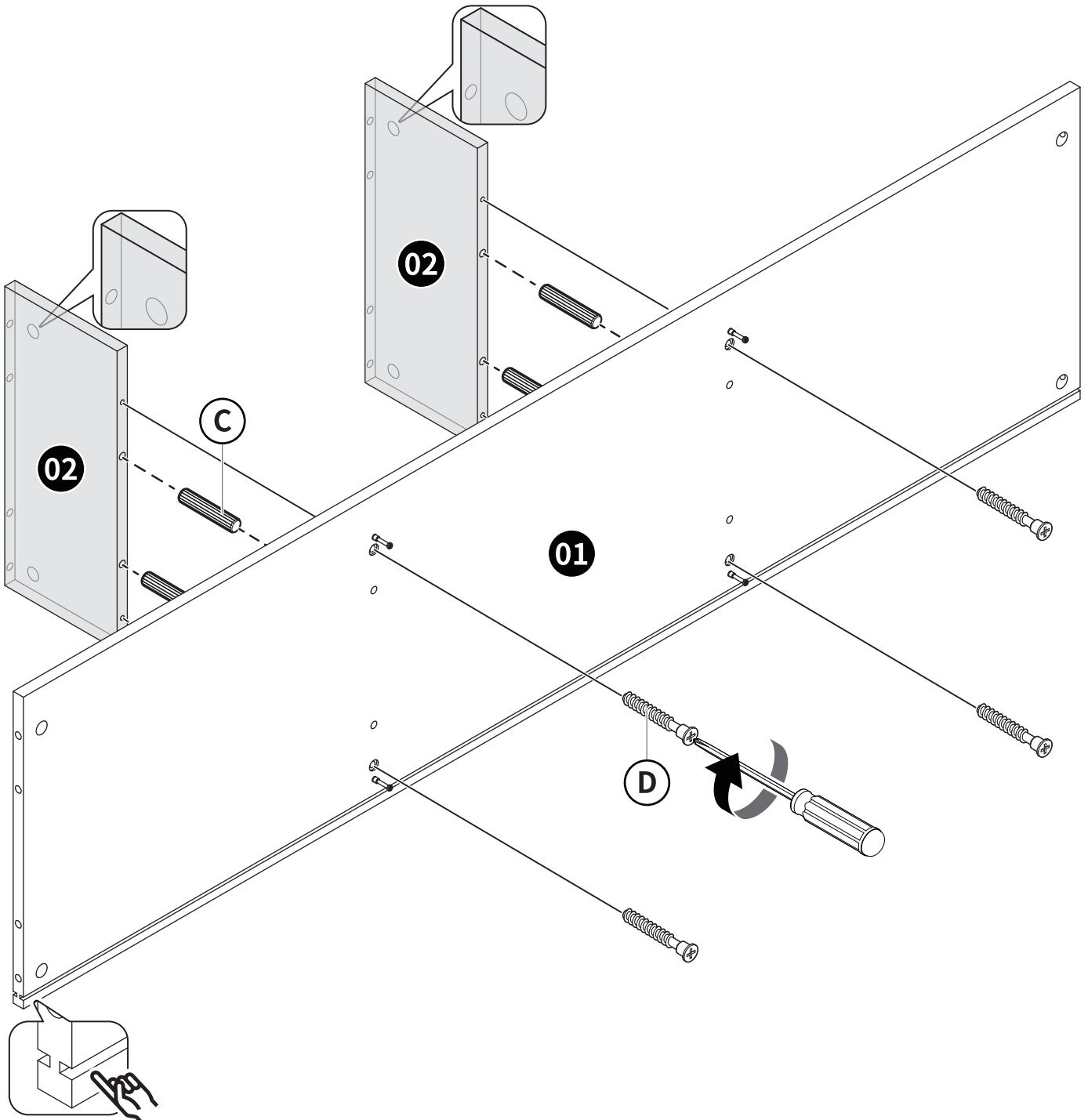
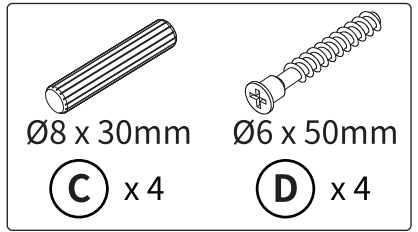
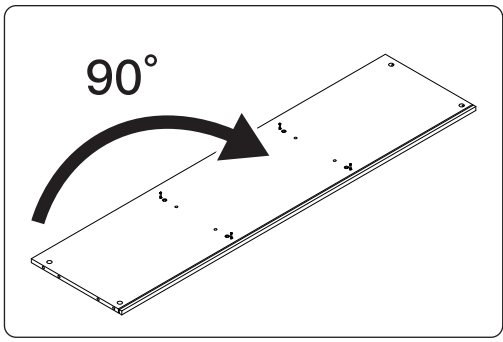


Ø6 x 35mm

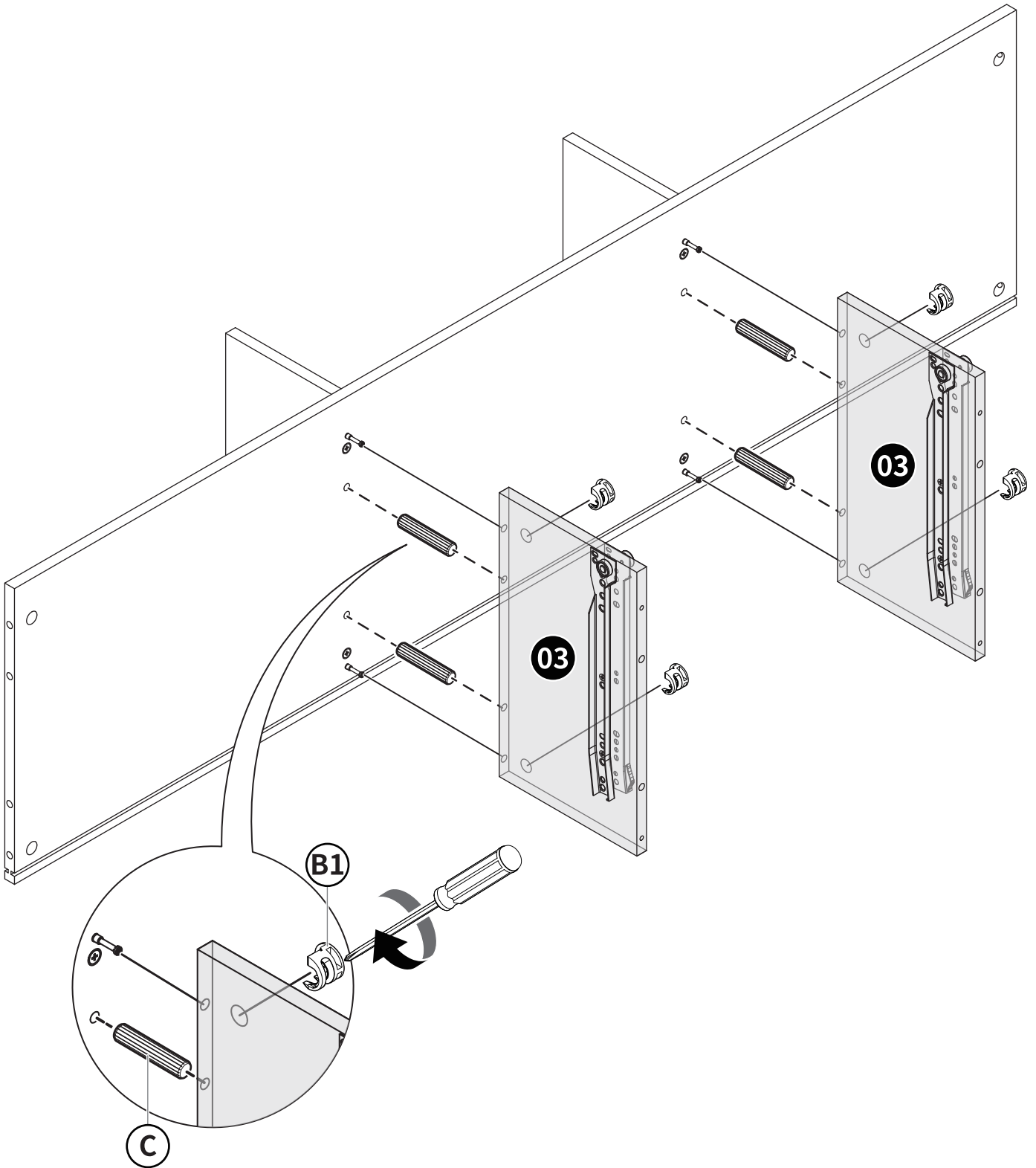
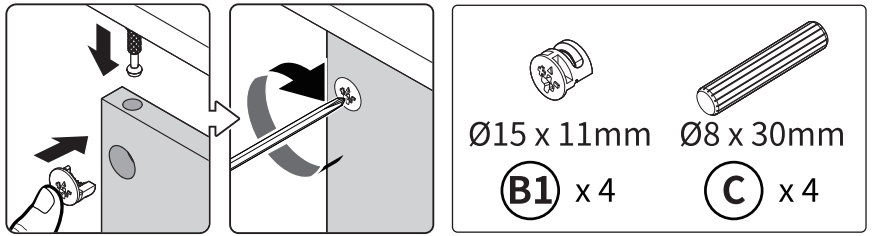
(A) x 4



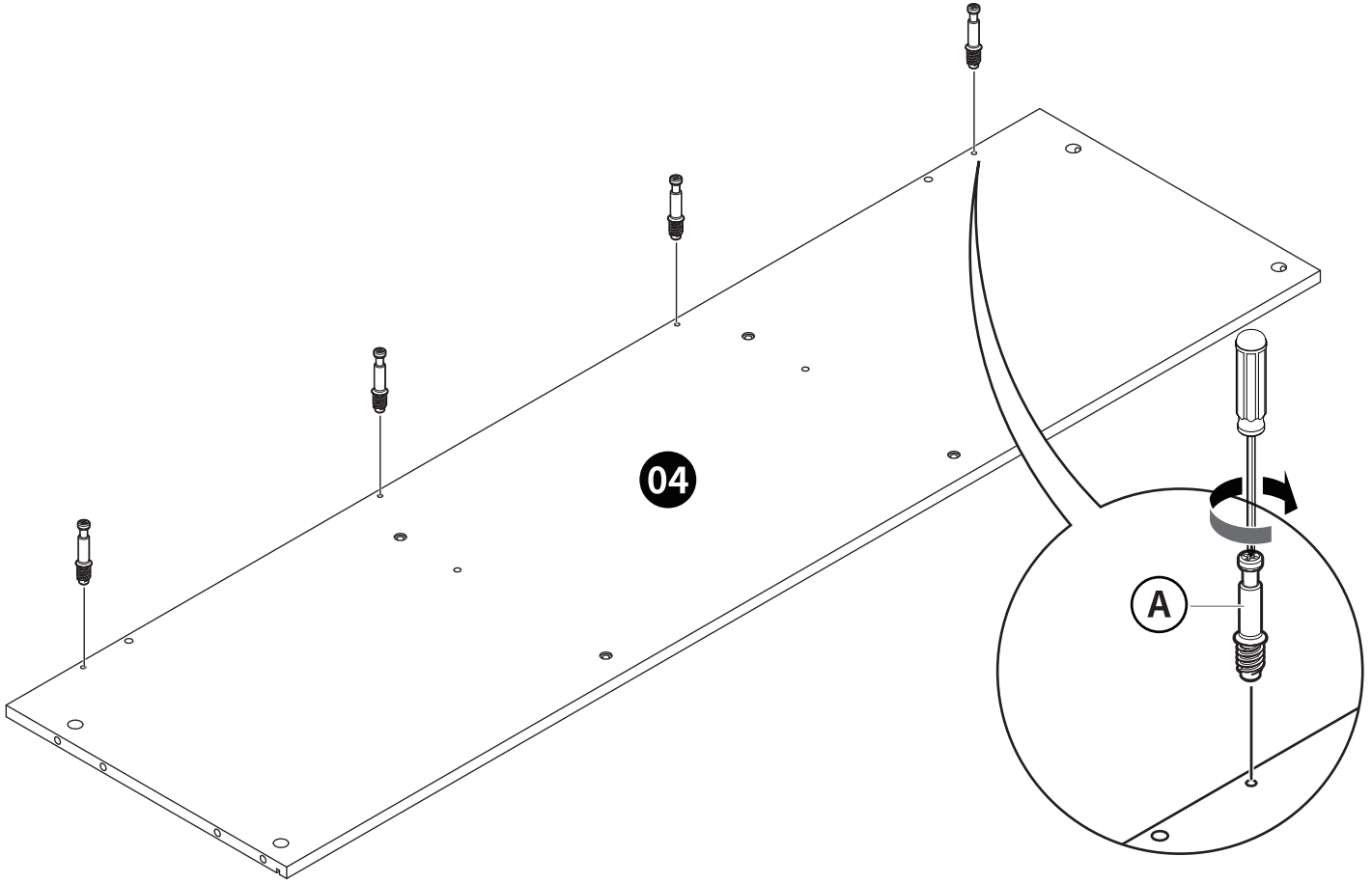
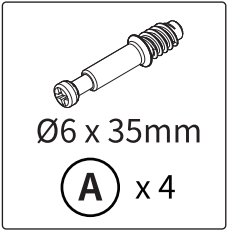
2



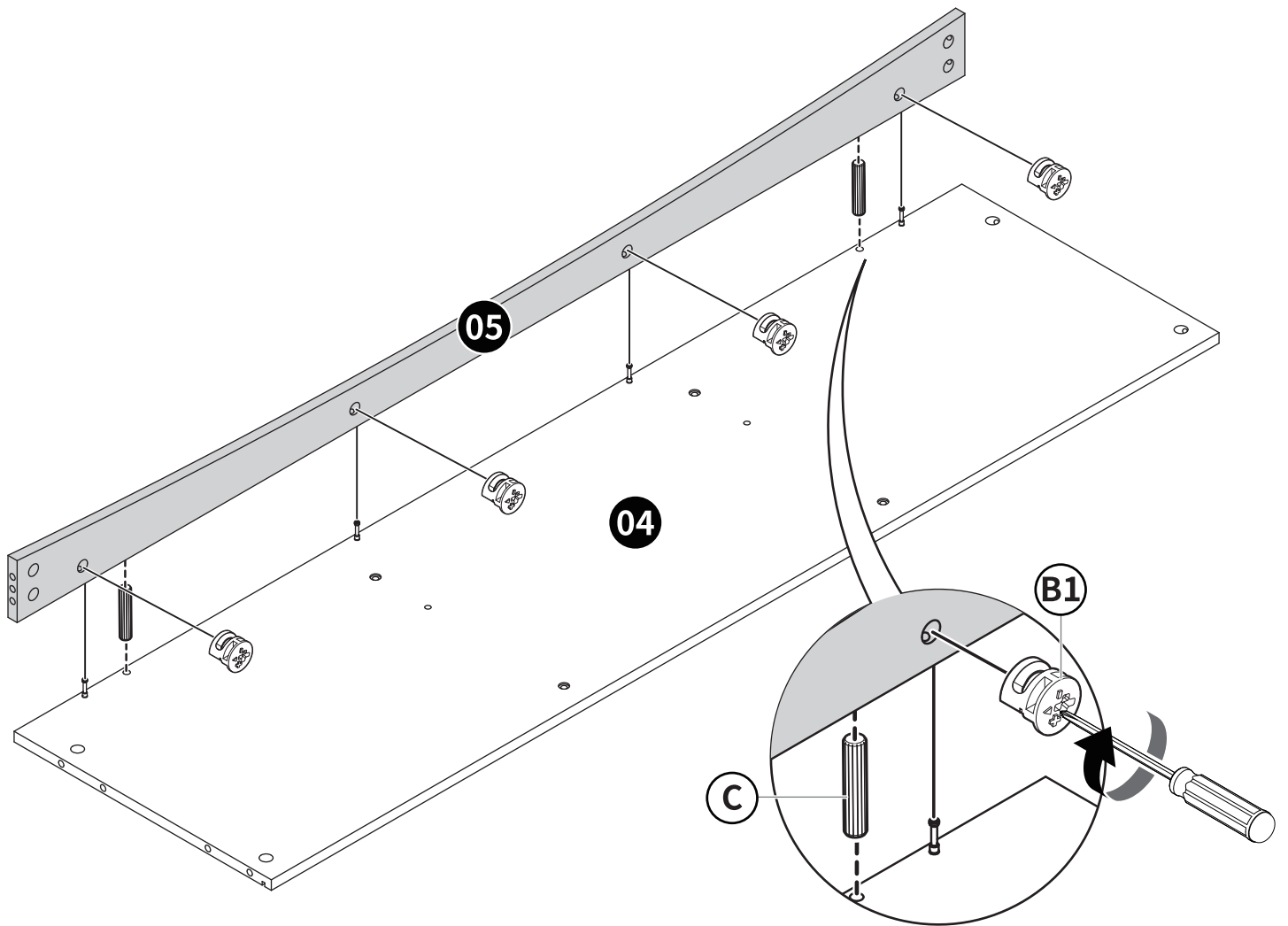
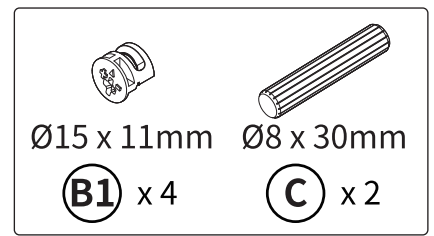
3



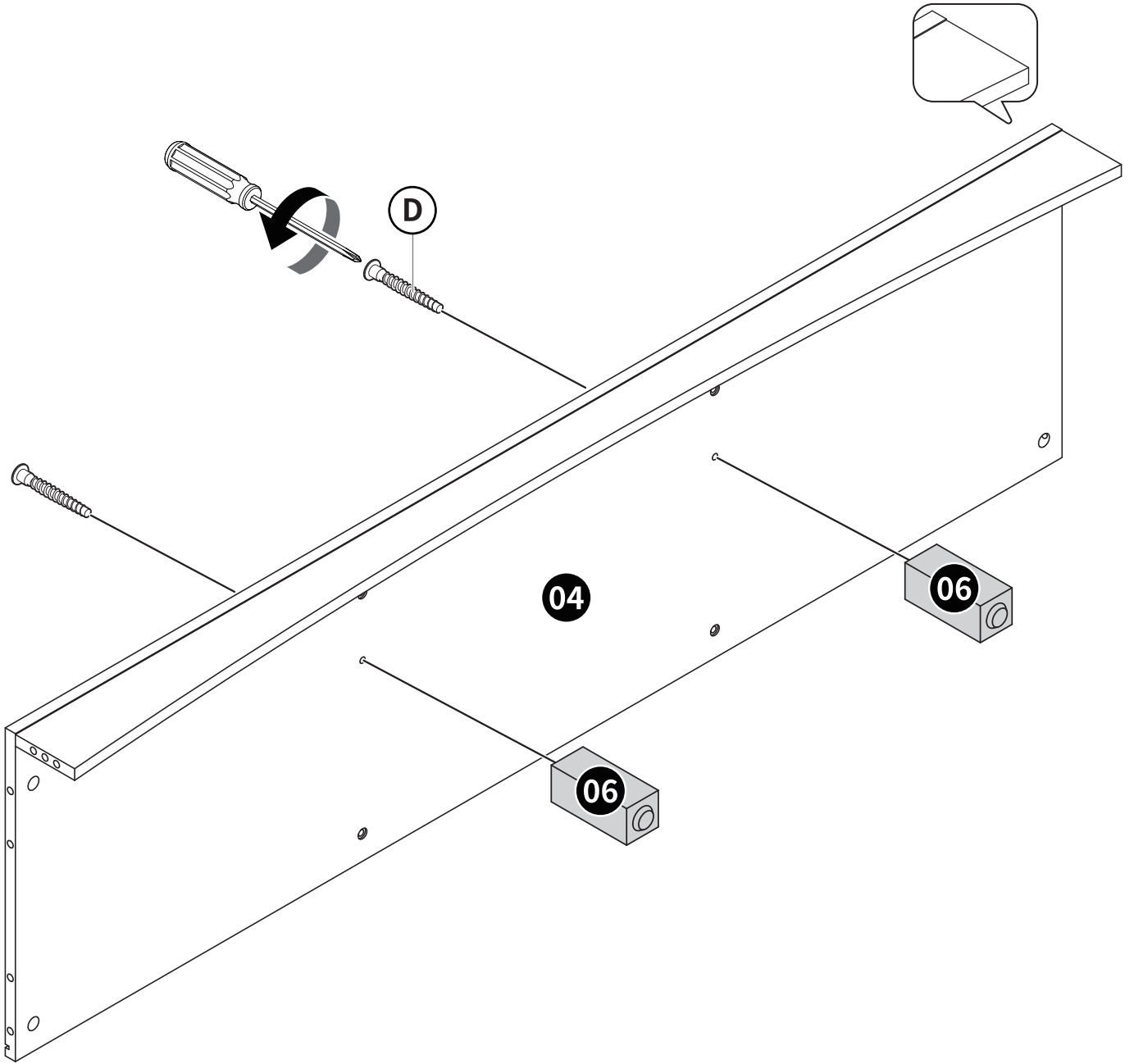
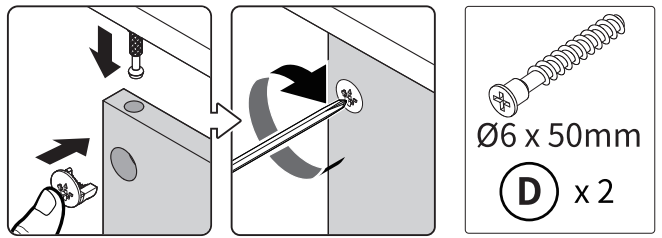
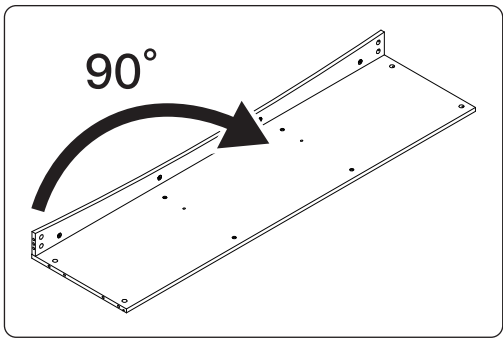
4



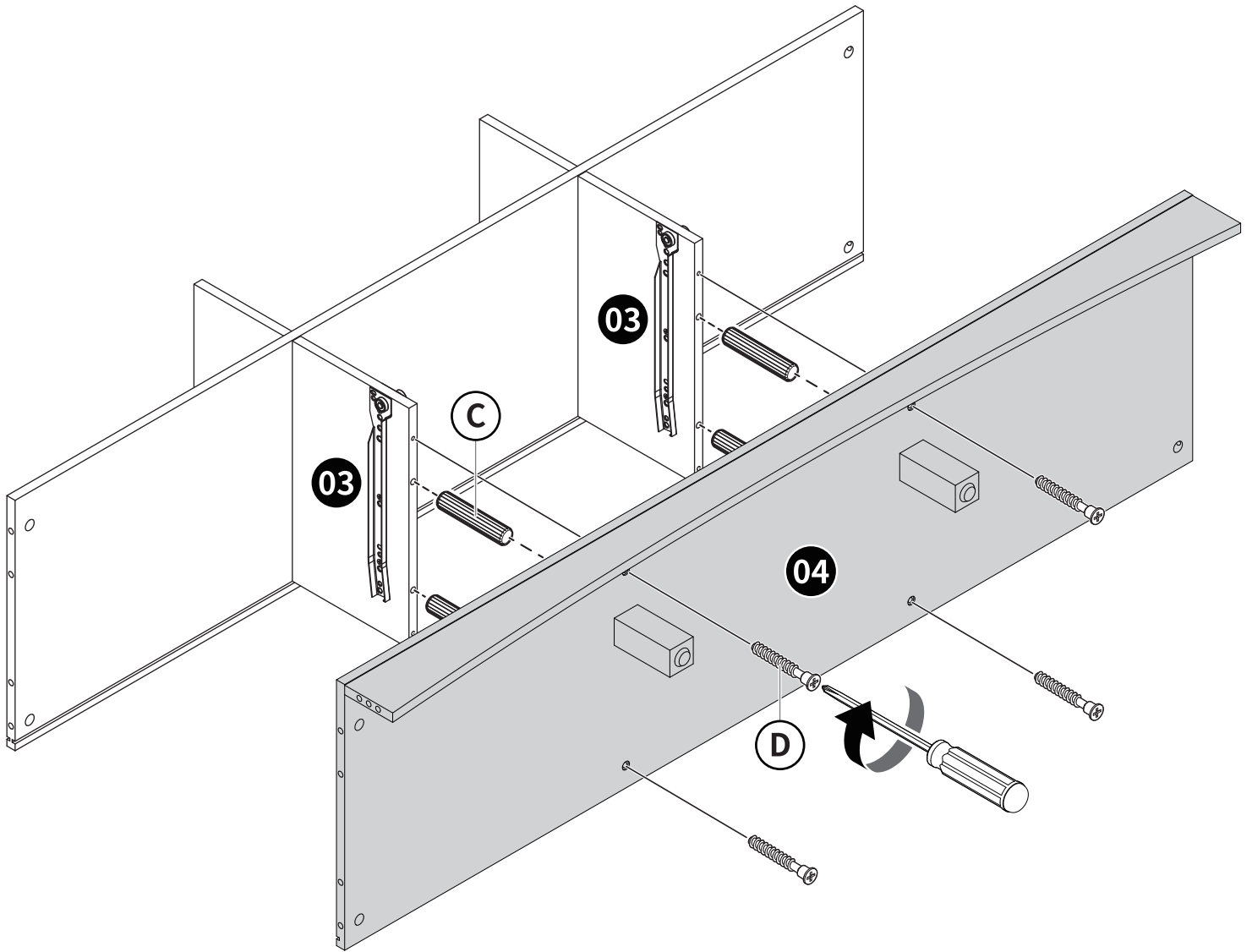
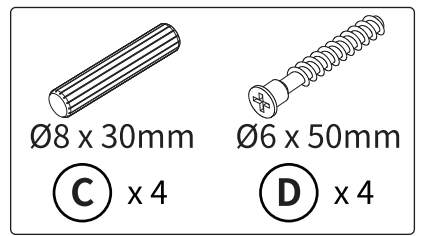
5

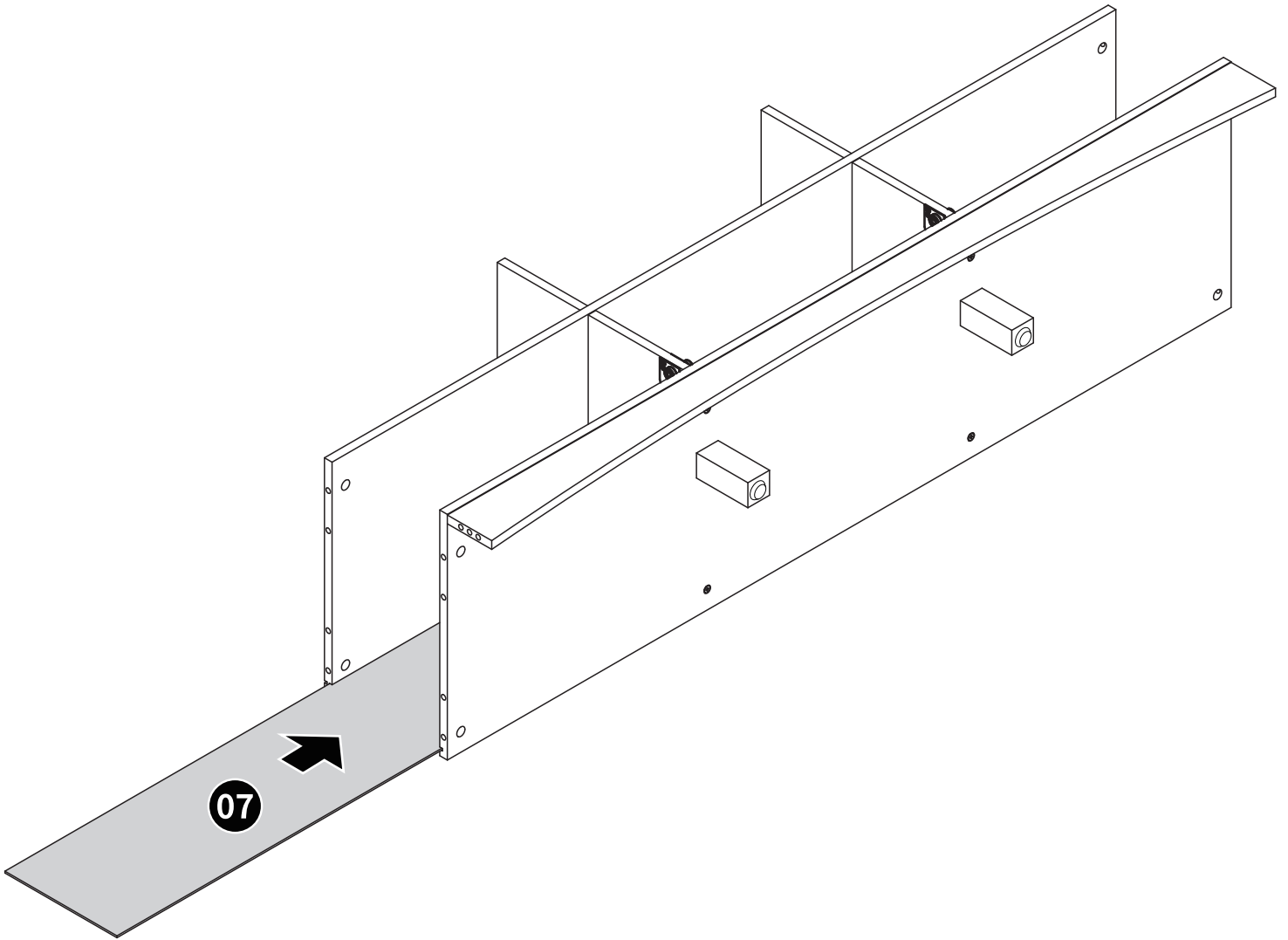


6

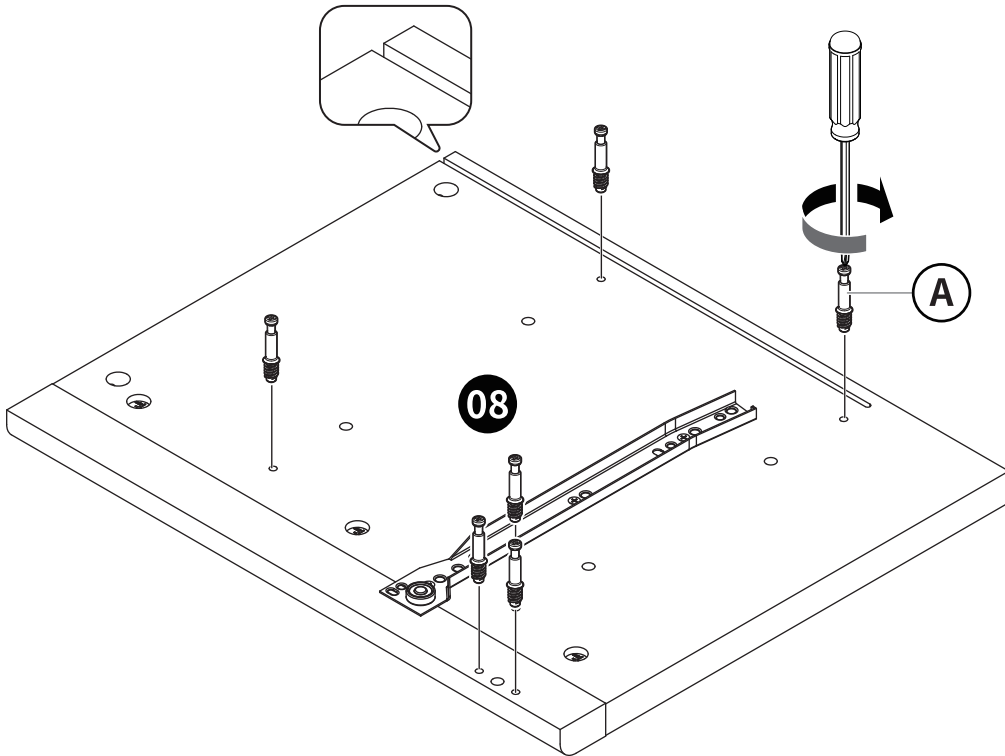
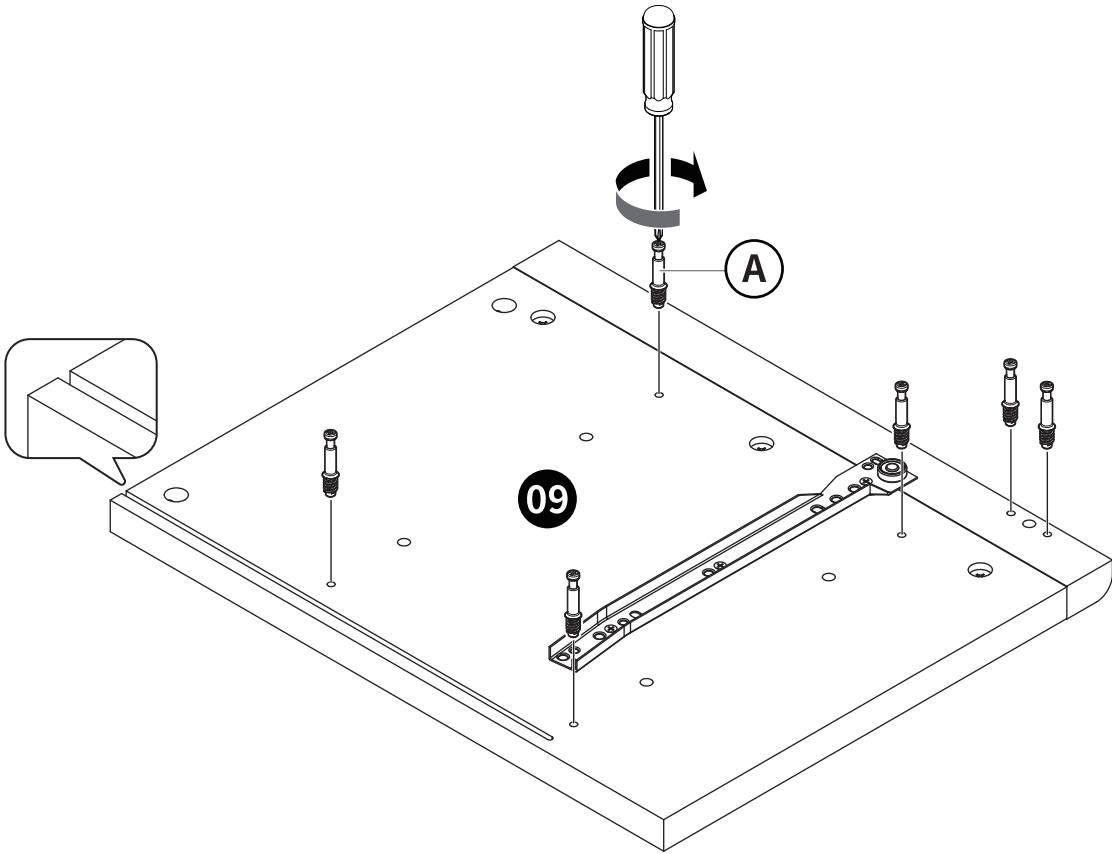
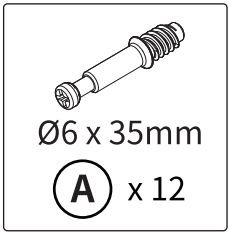


7

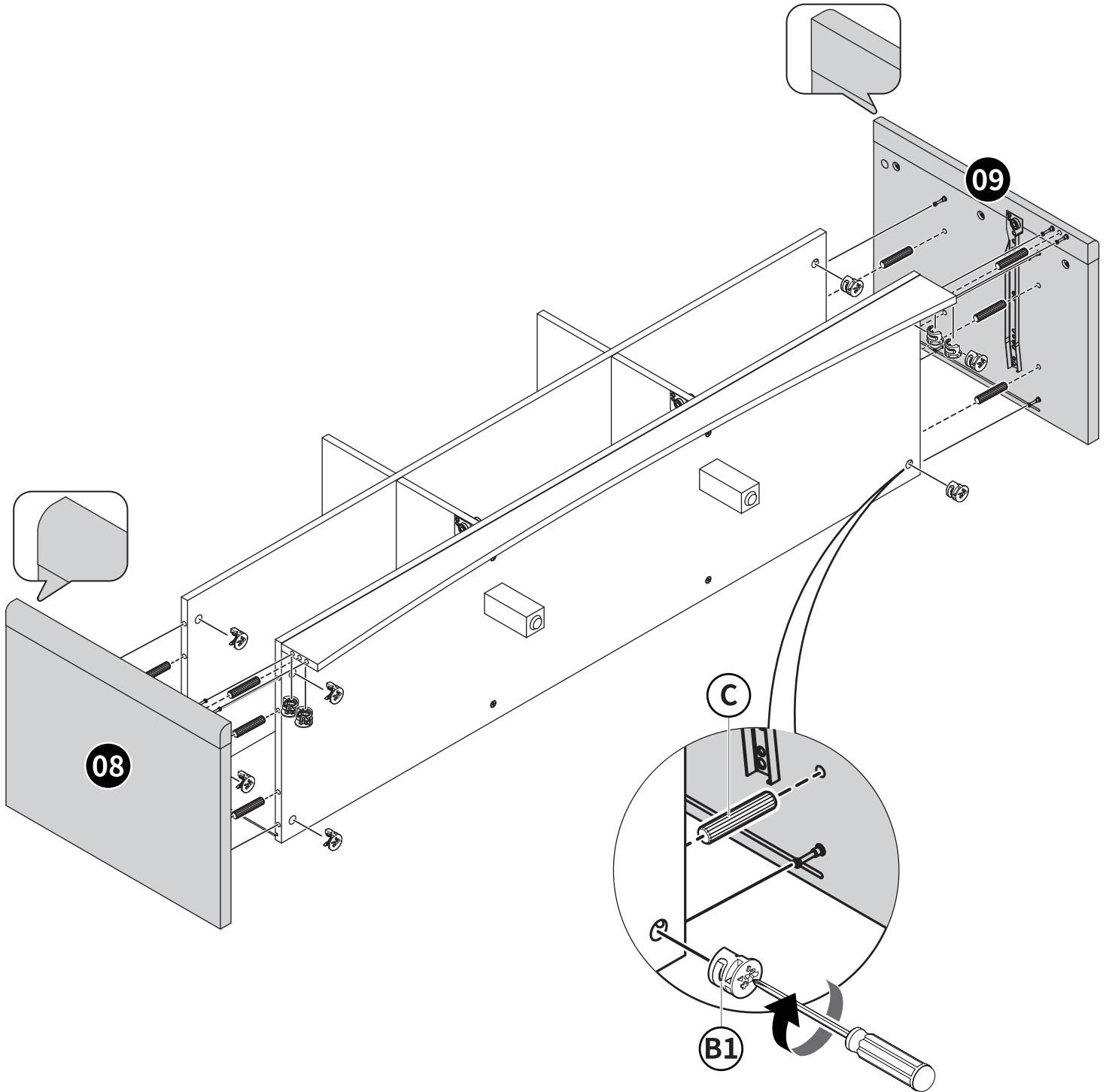
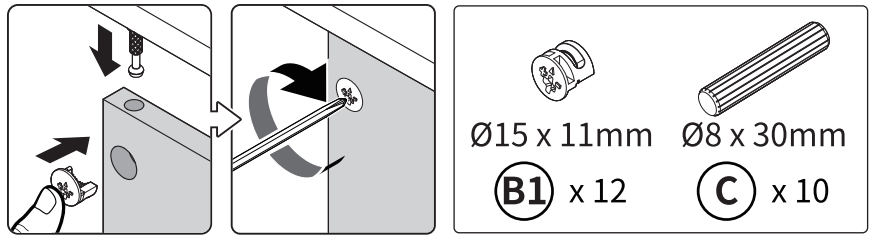




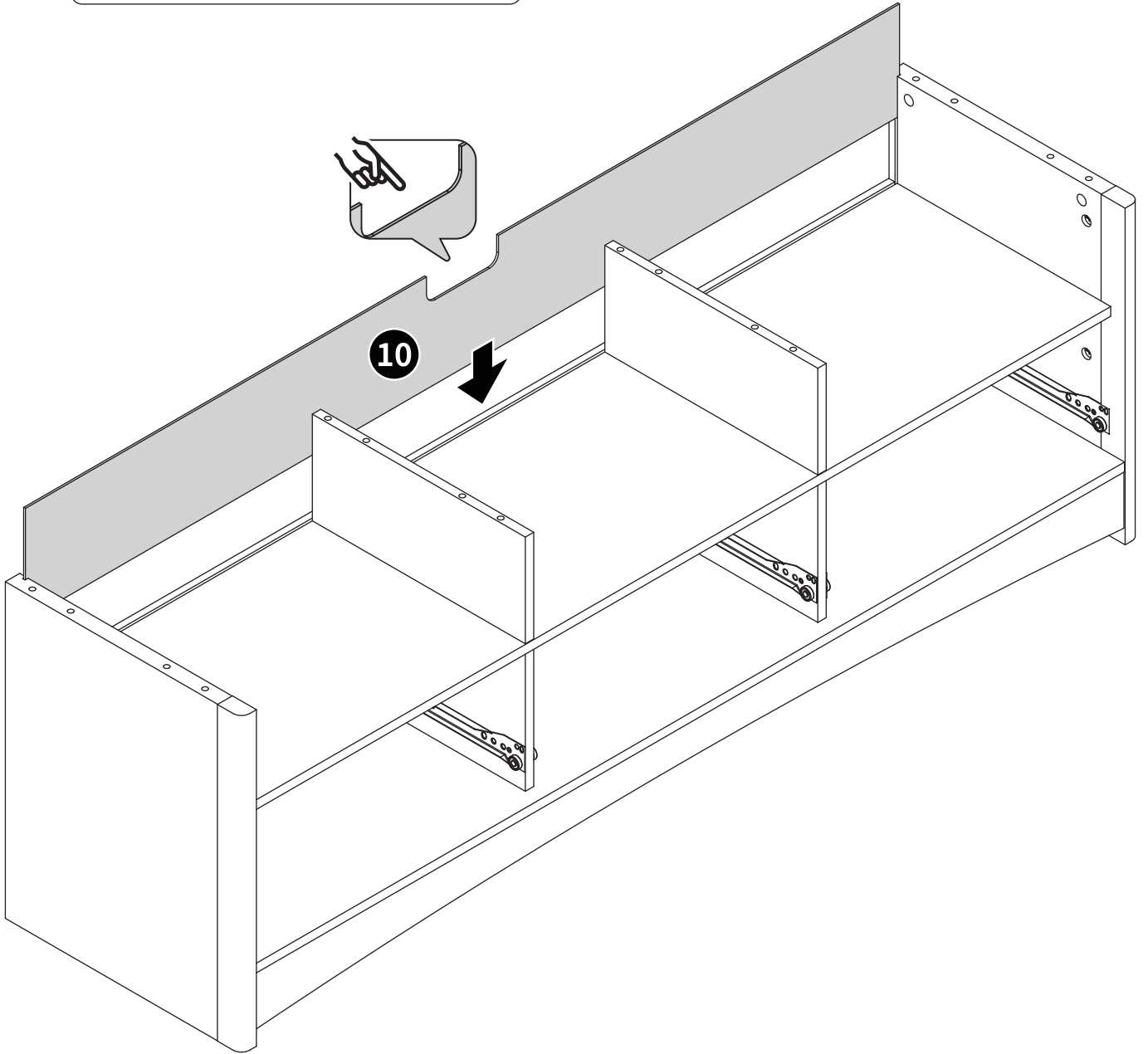
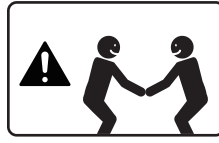
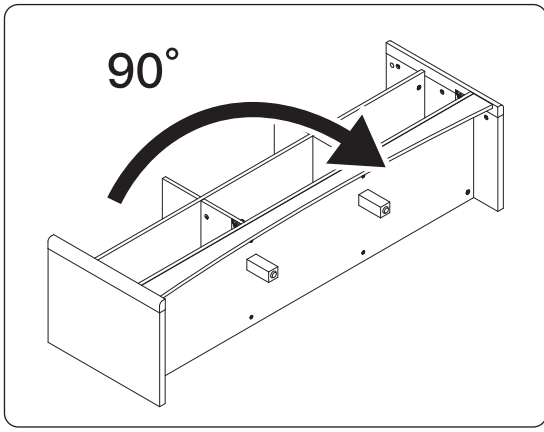
9



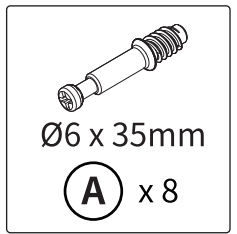
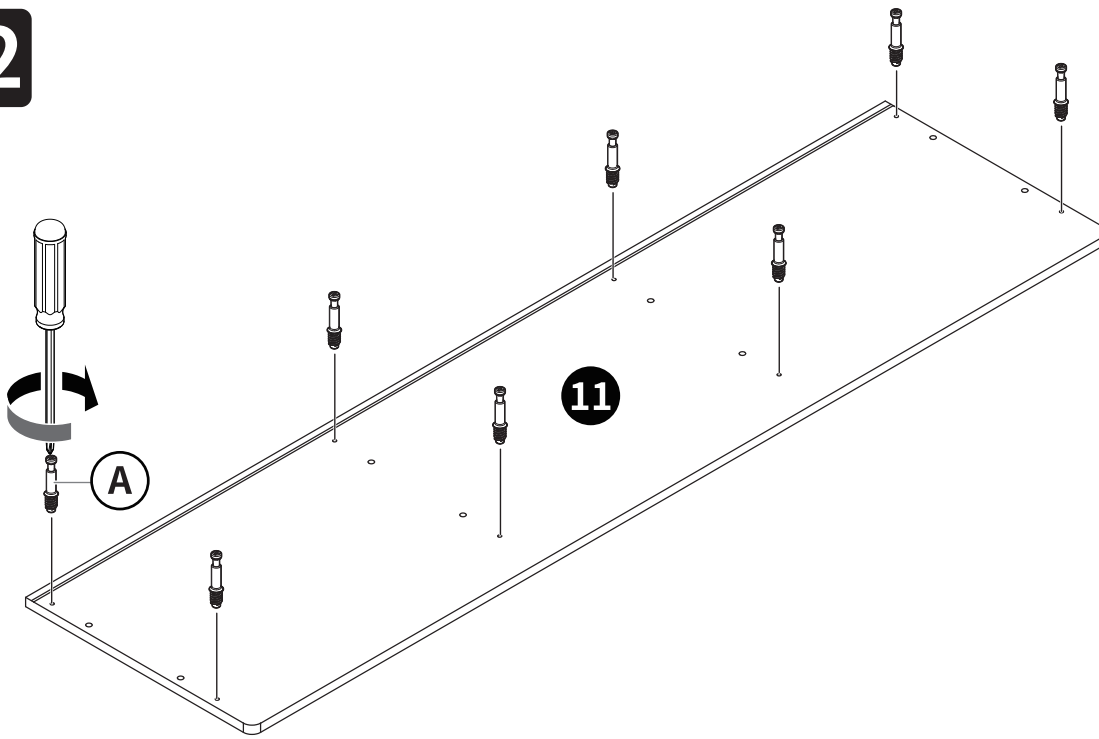
10



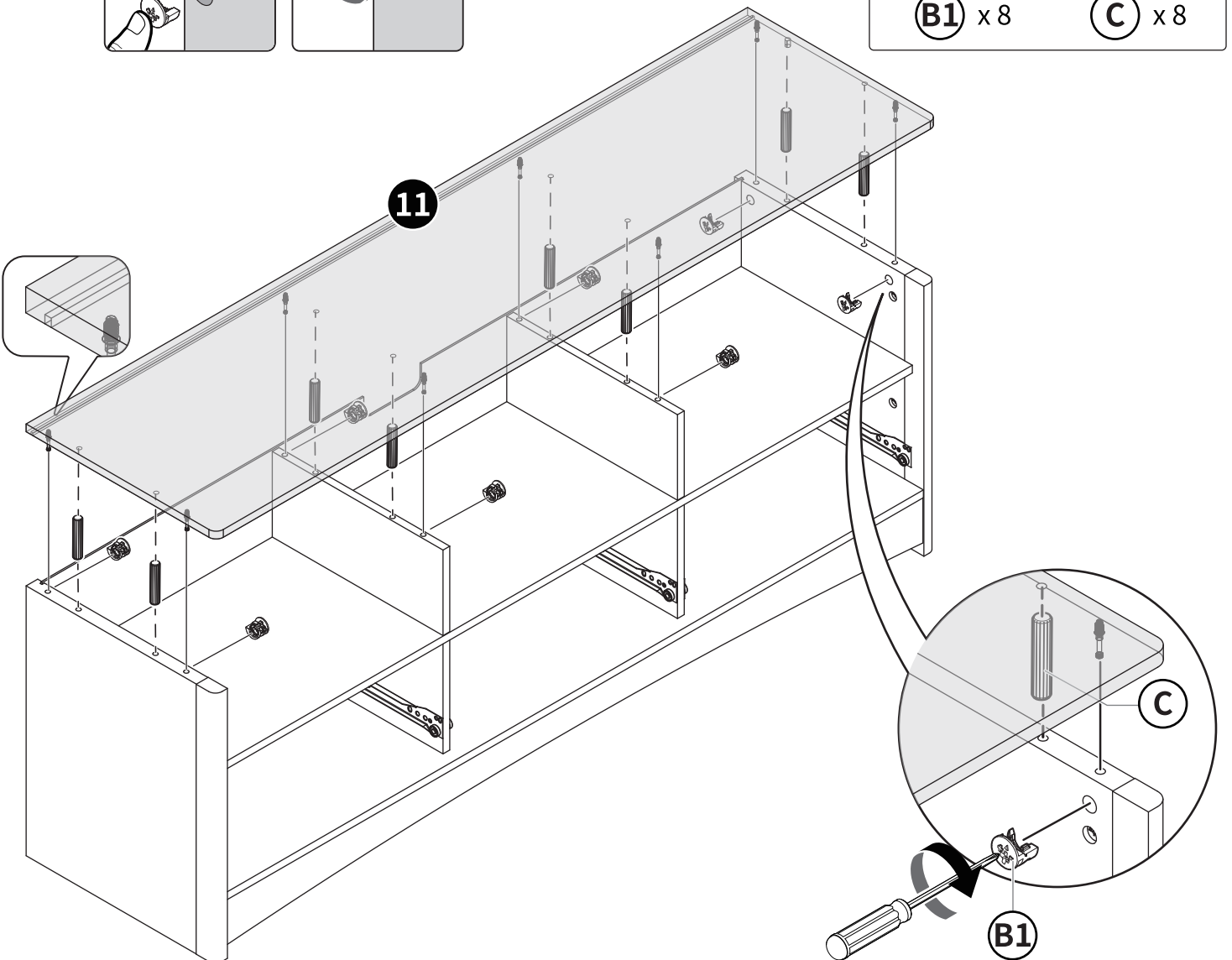
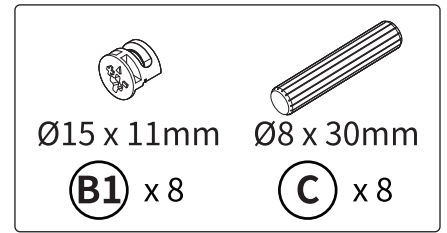
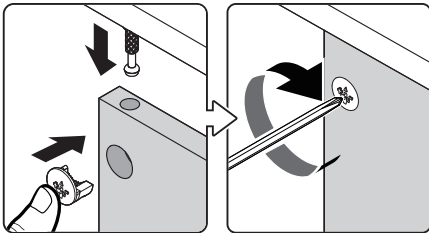
11



12



13



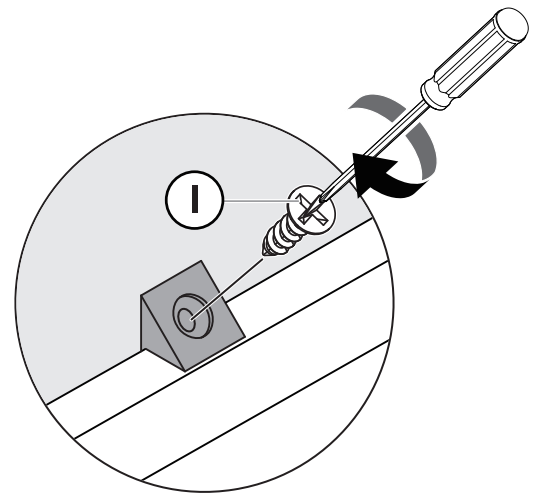
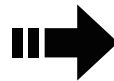
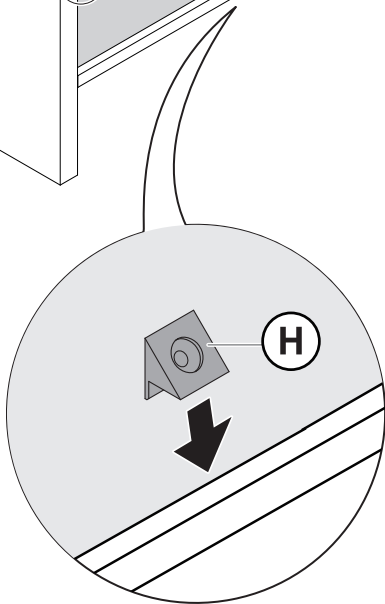
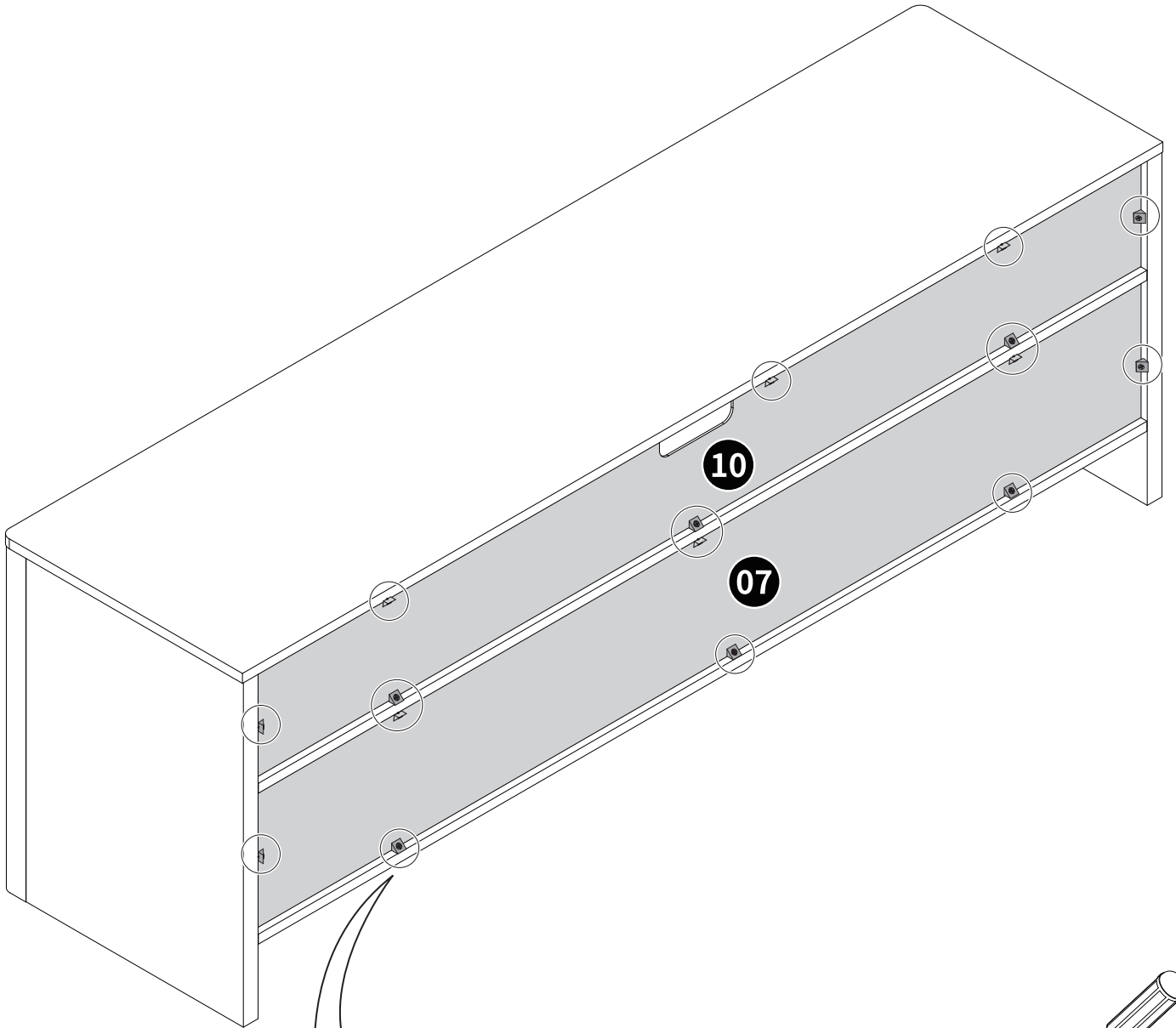
14



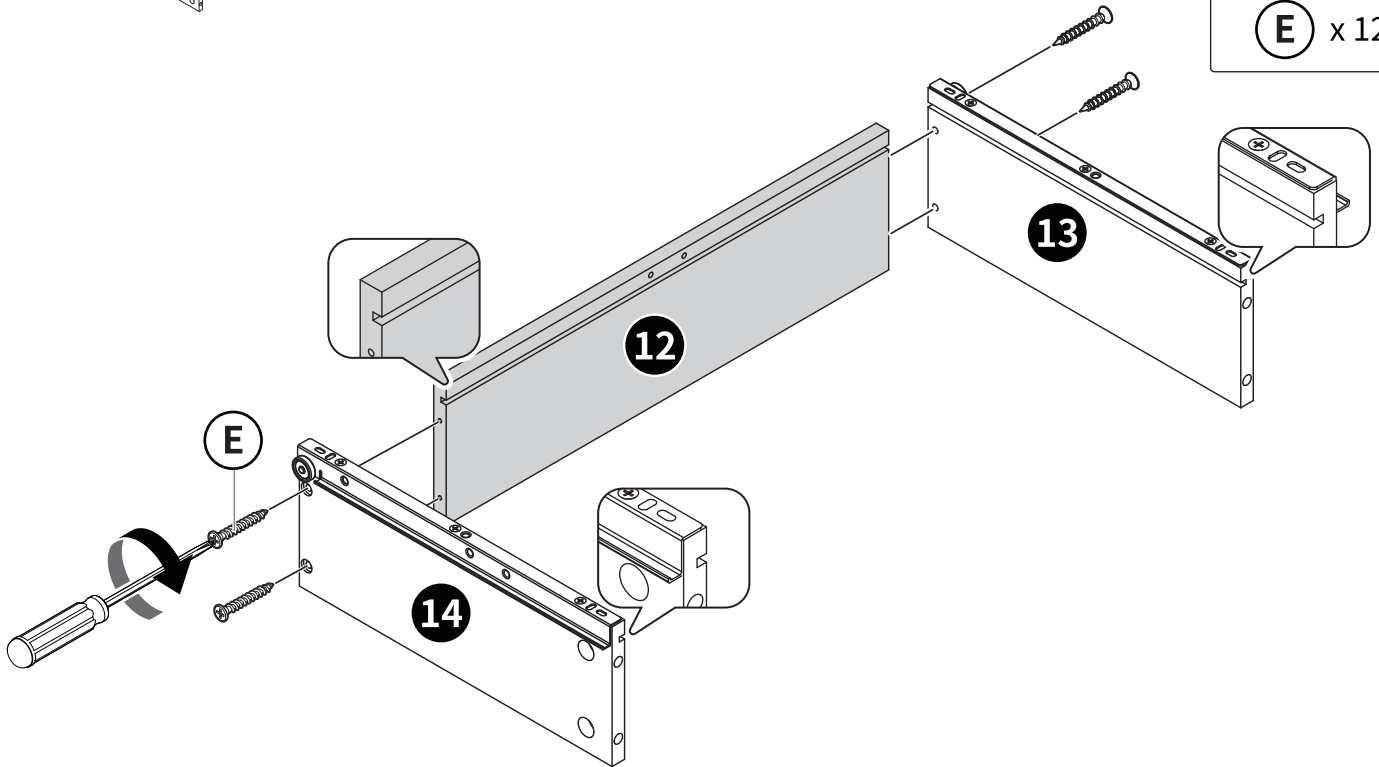
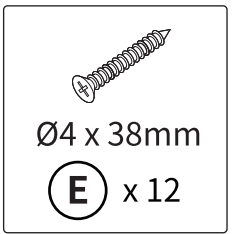
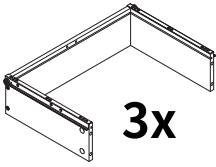
Ø3 x 17mm

(H) x 16

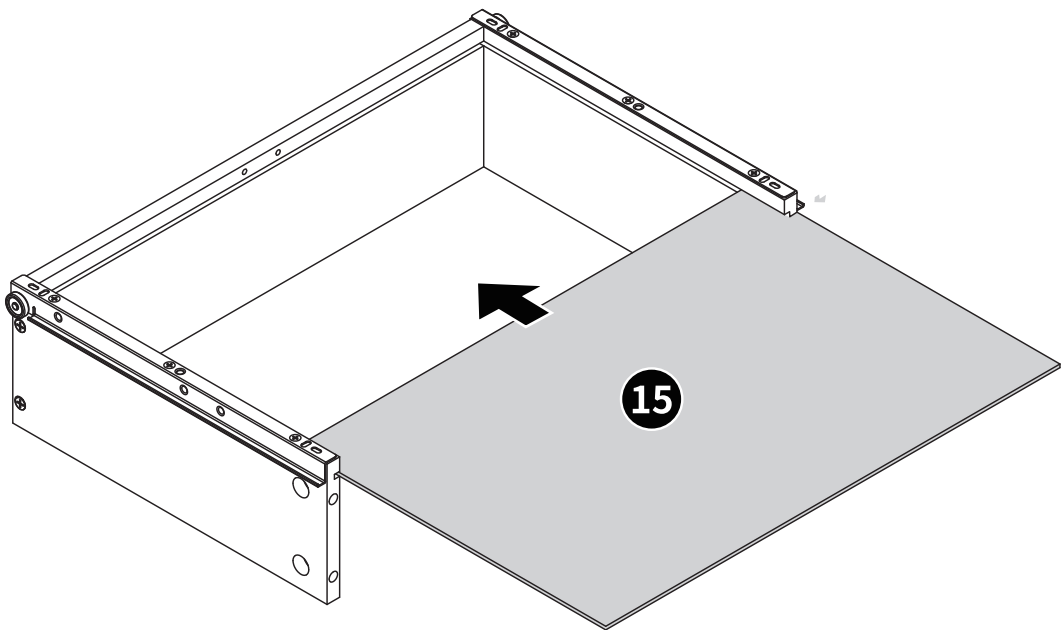
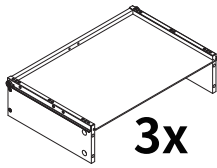
(I) x 16



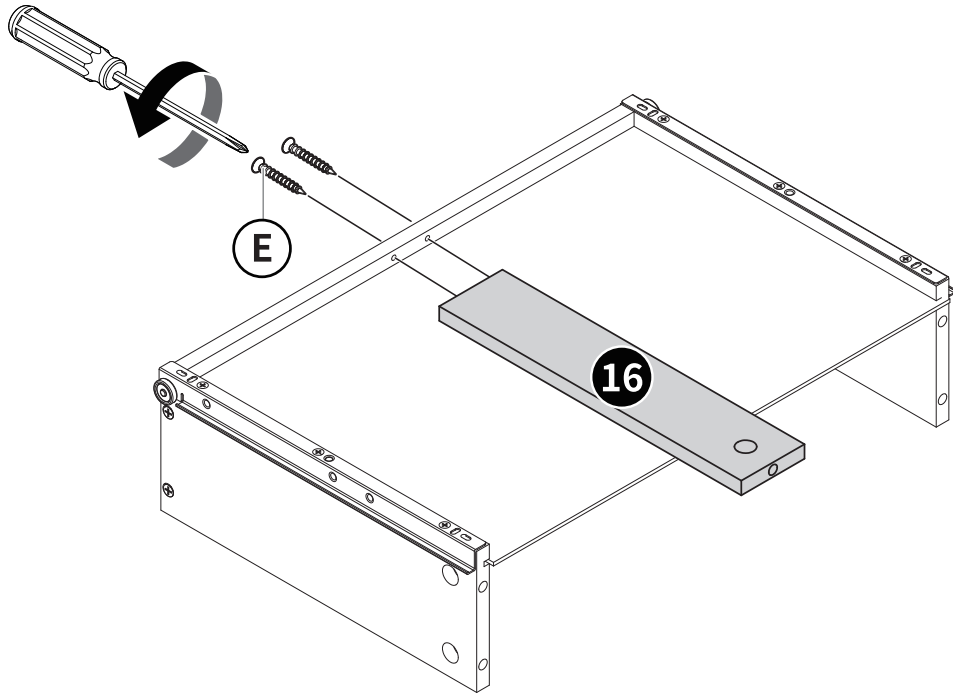
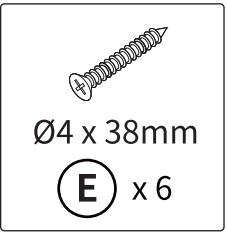
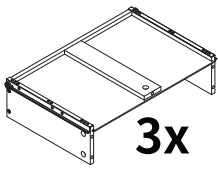
15



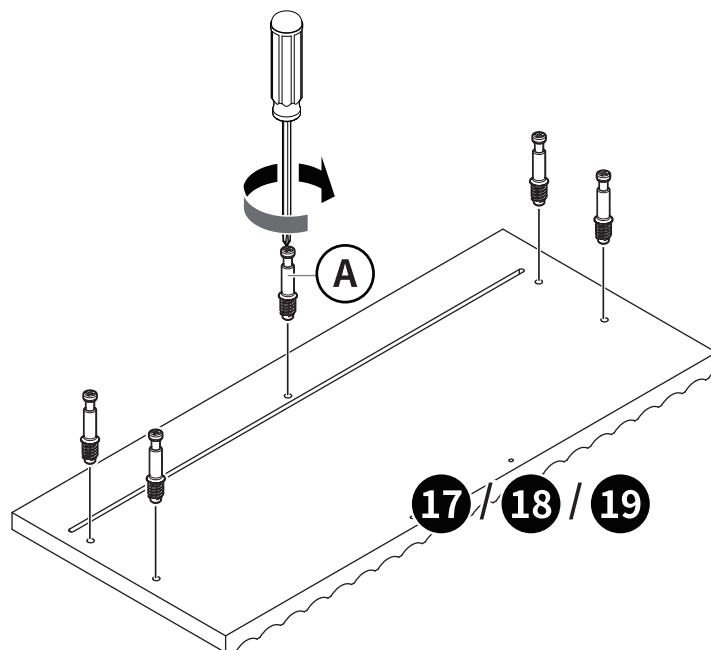
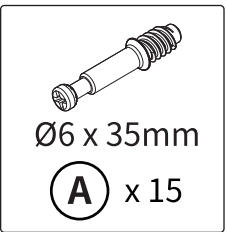
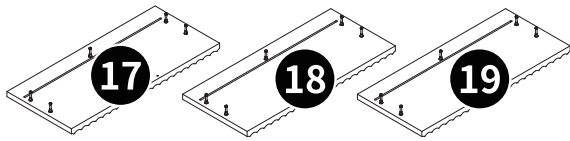
16



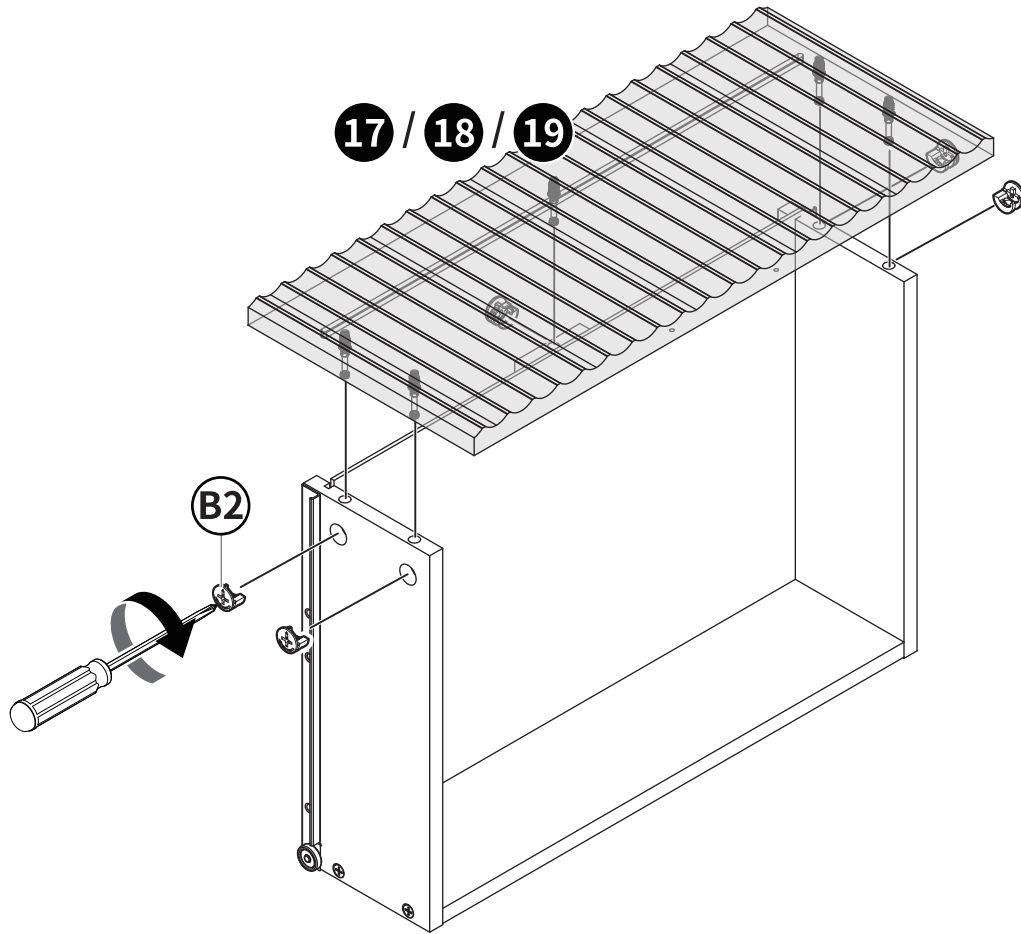
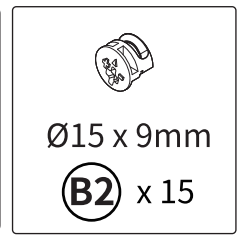
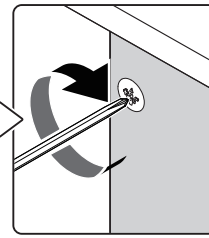
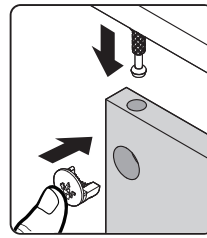
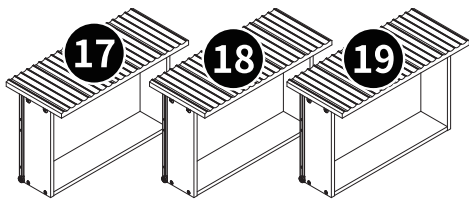
17



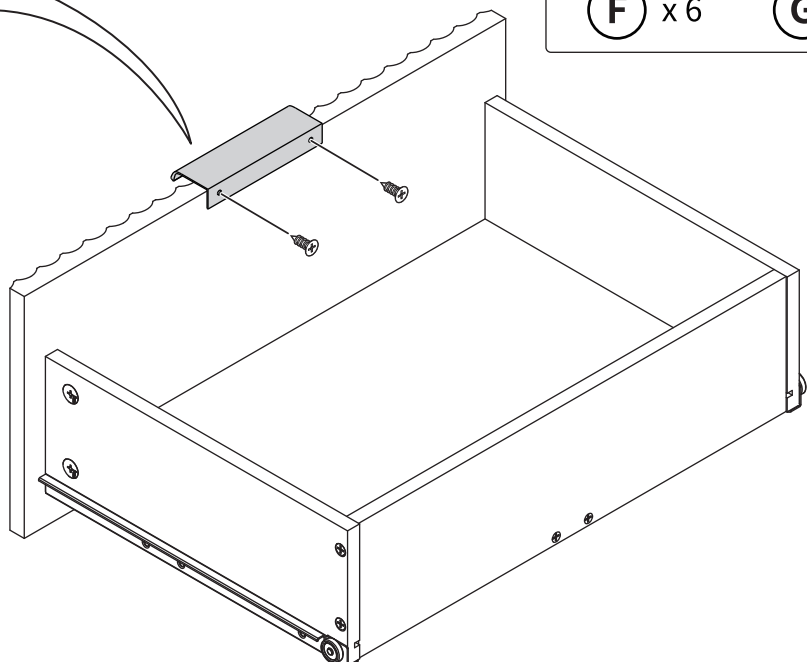
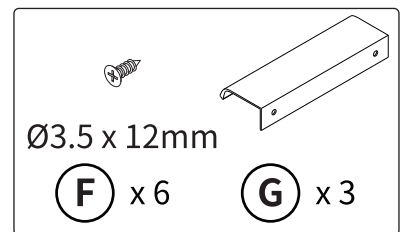
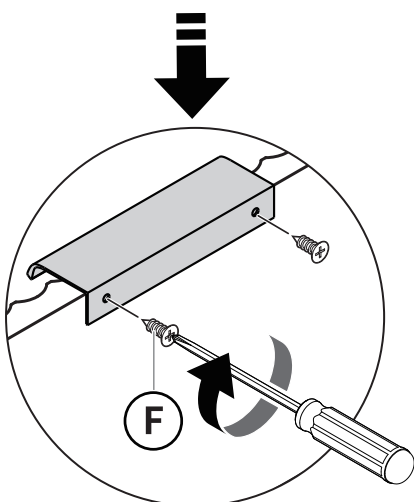
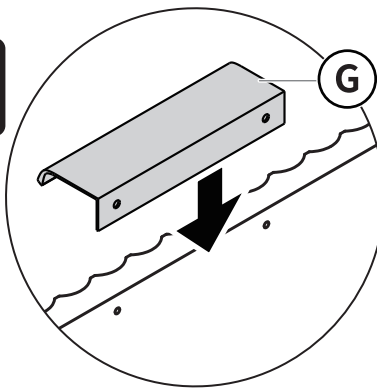
18



19



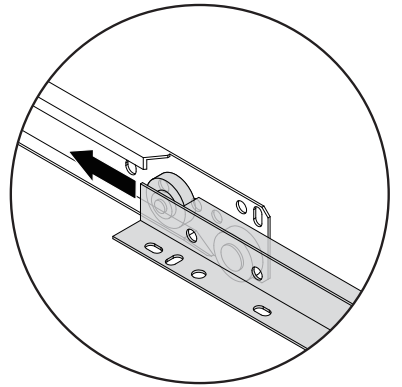
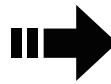
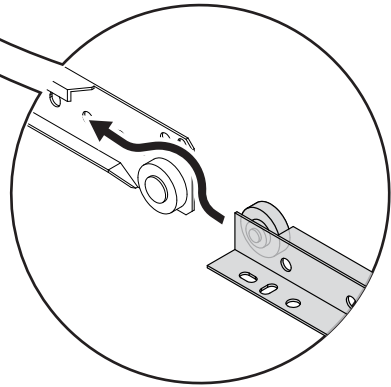
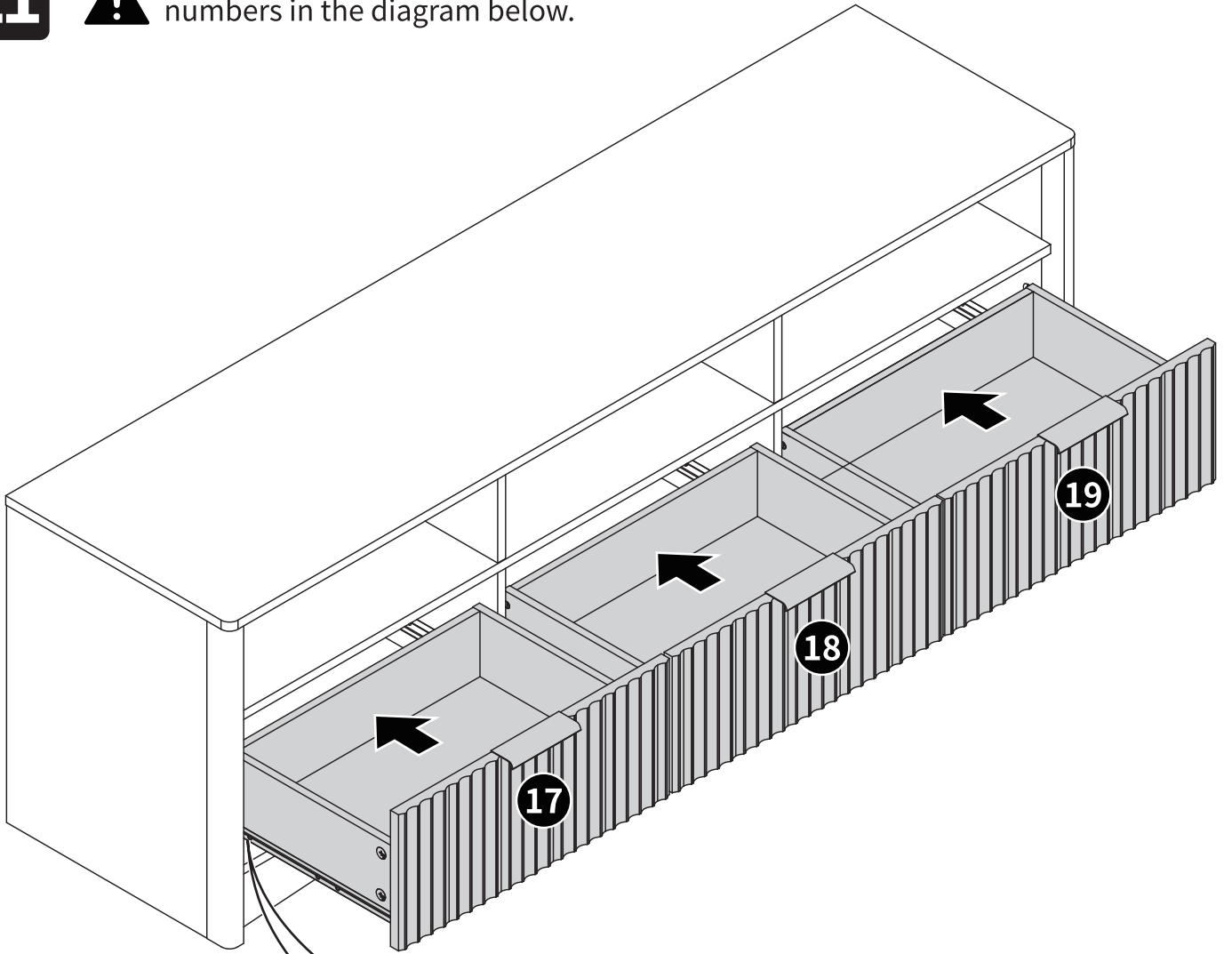
20



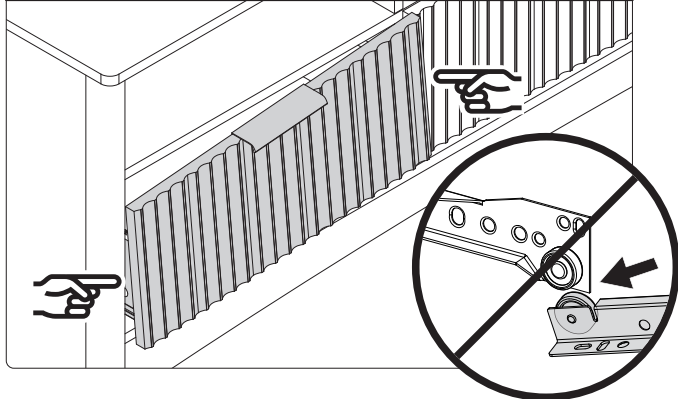
21



Note: Insert each drawer according to the part numbers in the diagram below.



Drawer Slide Under Console Slide



Drawer Slide Not Aligned

