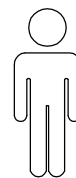
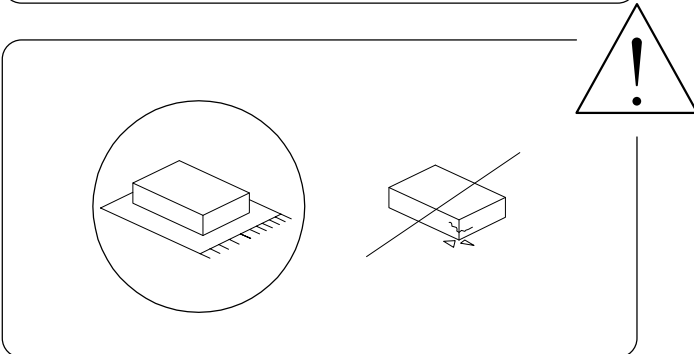
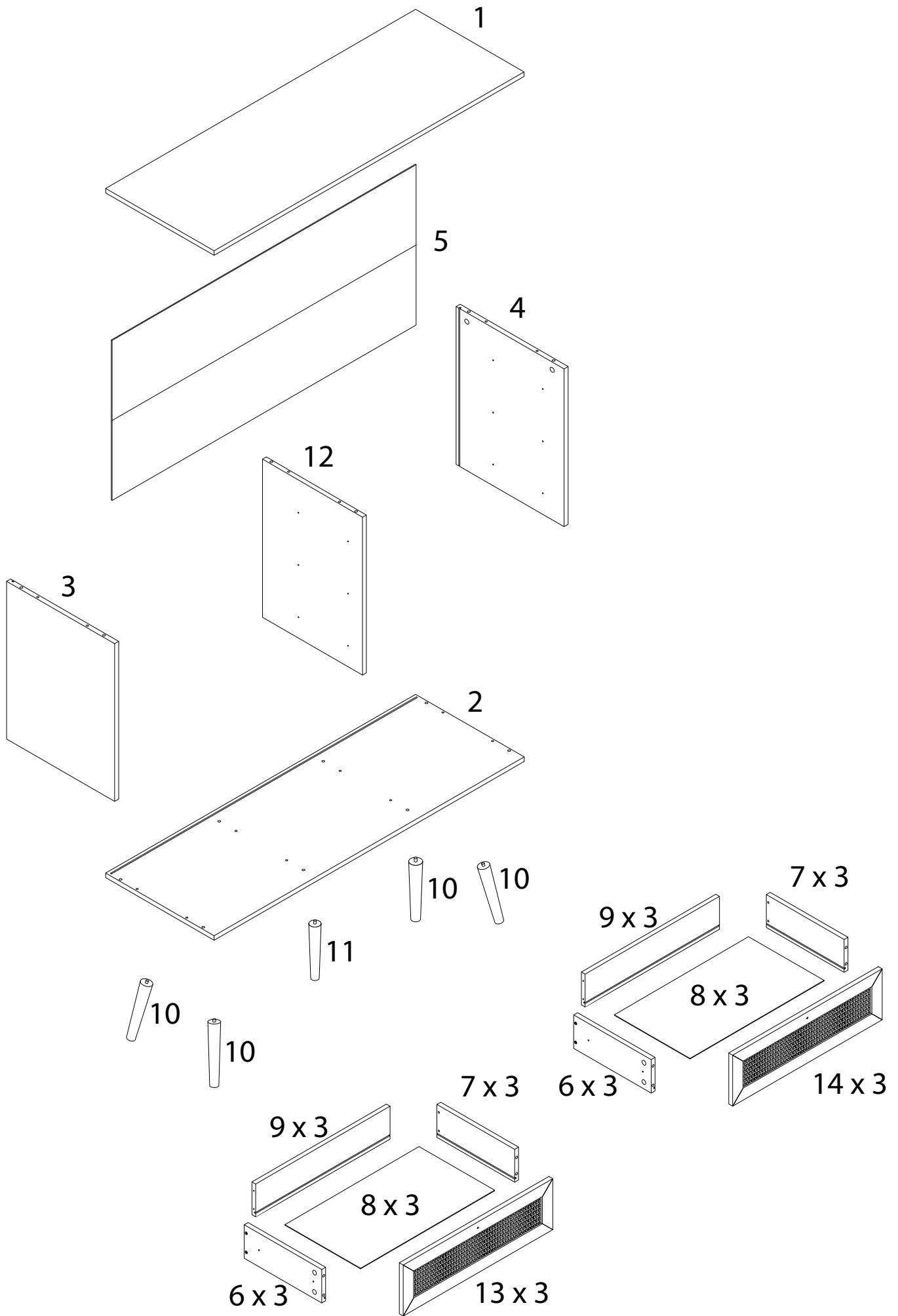
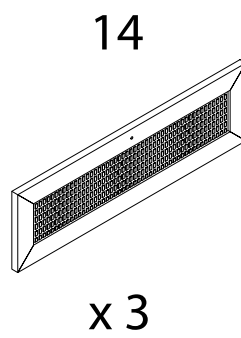
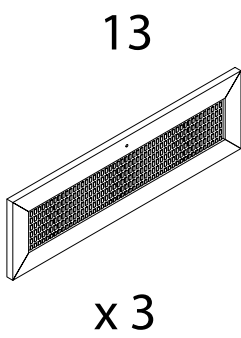
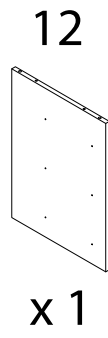
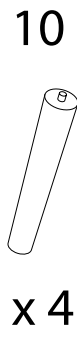
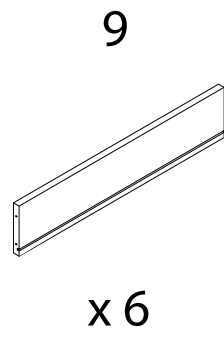
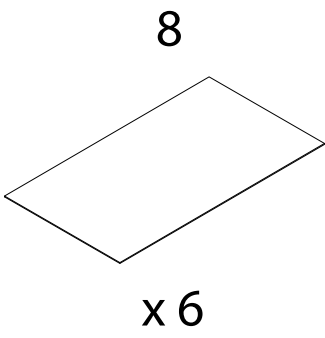
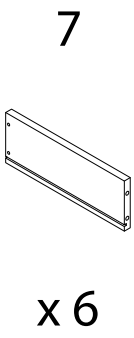
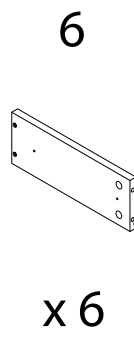
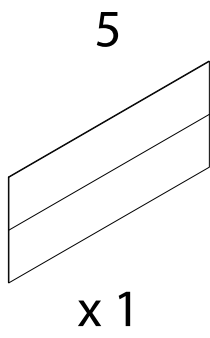
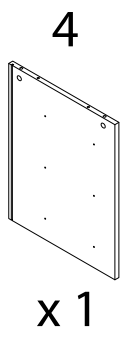
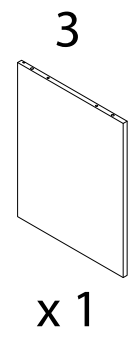
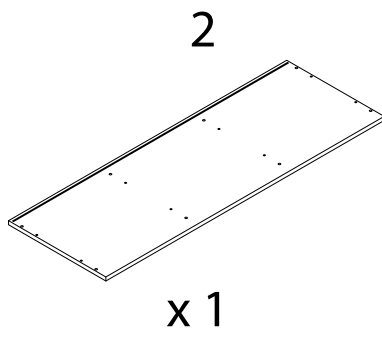
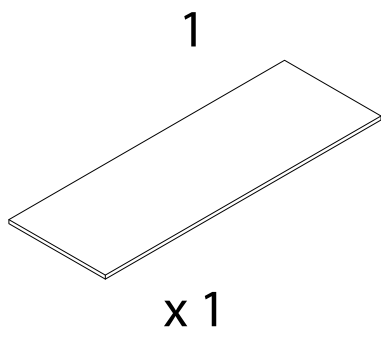


90'



2



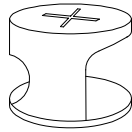


A



x 30

B



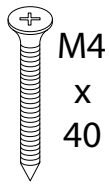
x 30

C



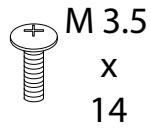
x 12

D



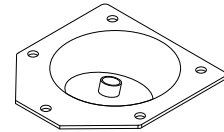
x 32

E



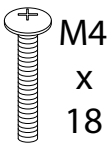
x 20

F



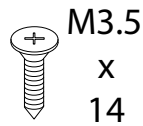
x 4

G



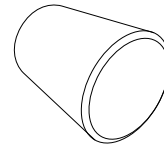
x 6

H



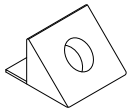
x 62

I



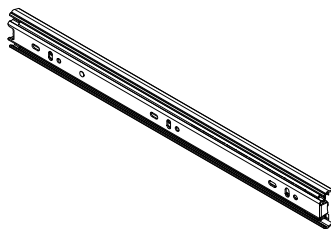
x 6

J



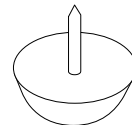
x 12

K



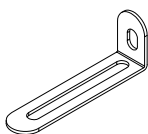
x 12

L



x 4

M



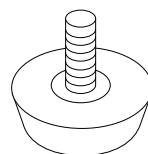
x 2

N



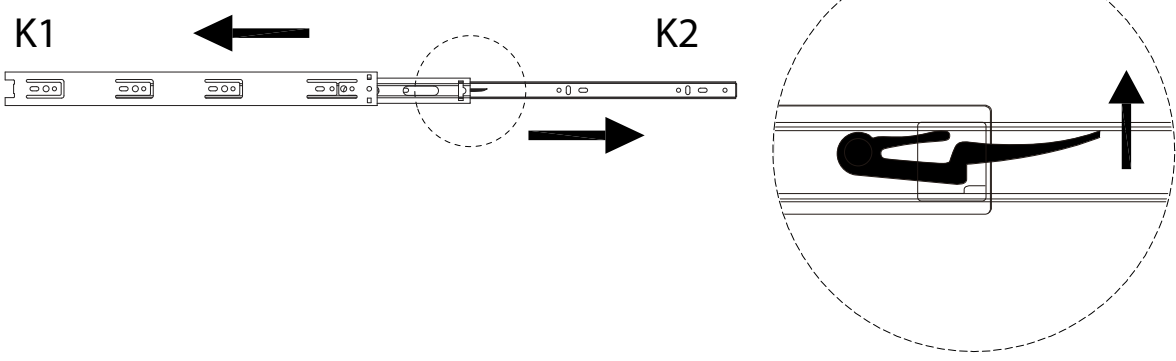
x 2

O



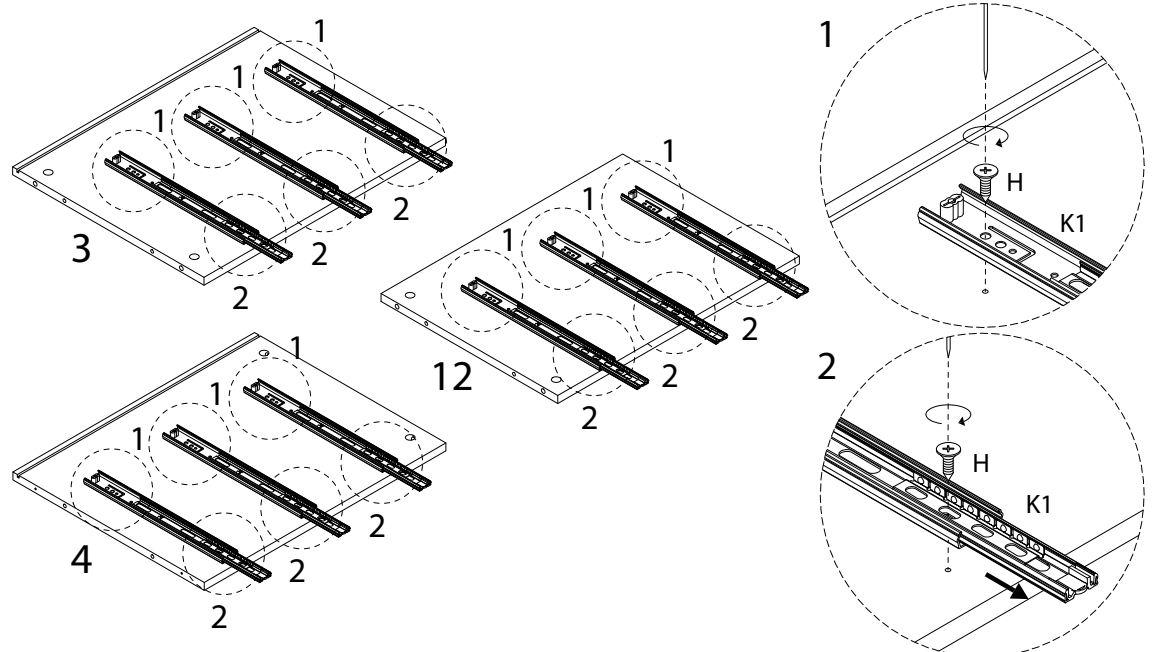
x 1

!



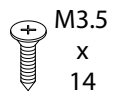
1

- |                  |                  |                   |                                     |                   |
|------------------|------------------|-------------------|-------------------------------------|-------------------|
| <p>3<br/>x 1</p> | <p>4<br/>x 1</p> | <p>12<br/>x 1</p> | <p>H<br/>M3.5<br/>x 14<br/>x 18</p> | <p>K1<br/>x 9</p> |
|------------------|------------------|-------------------|-------------------------------------|-------------------|



2

H

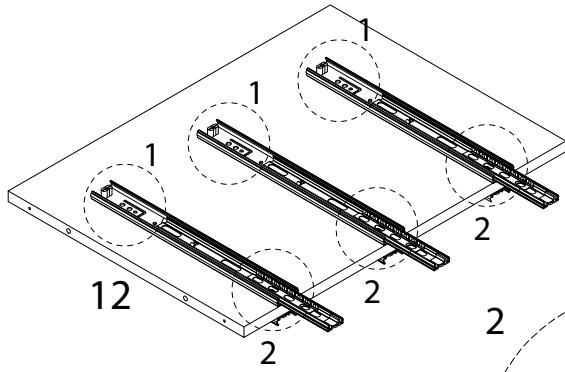


x 6

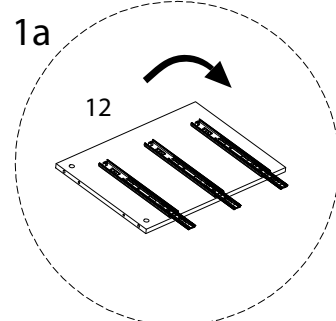
K1



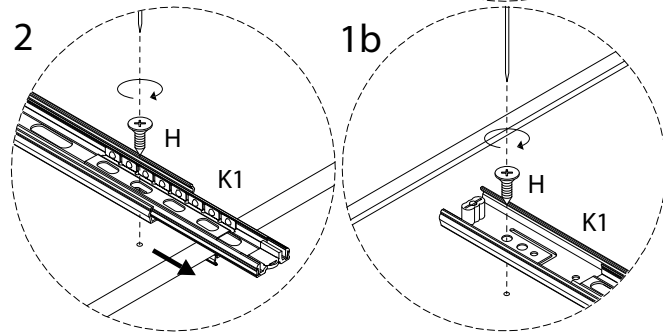
x 3



1a

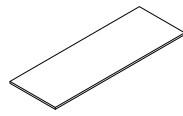


1b



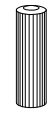
3

1

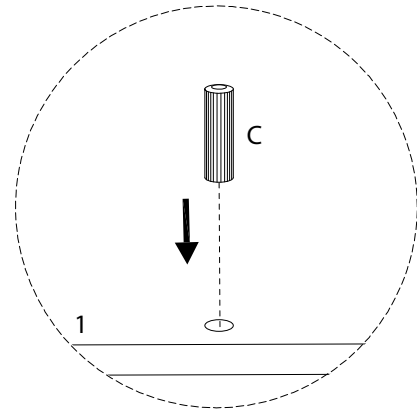
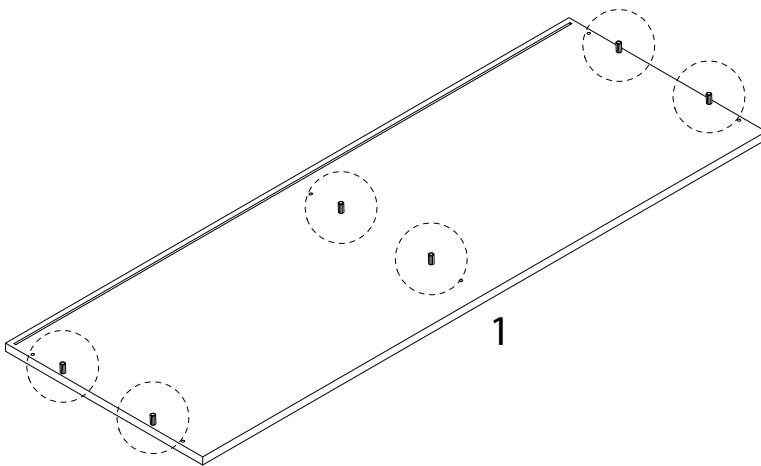


x 1

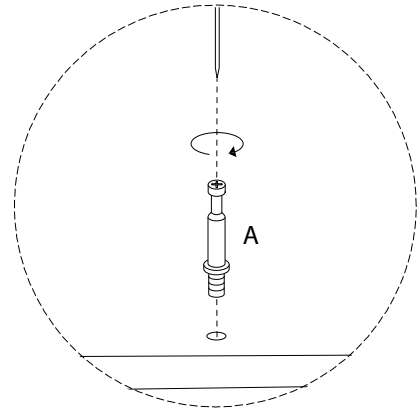
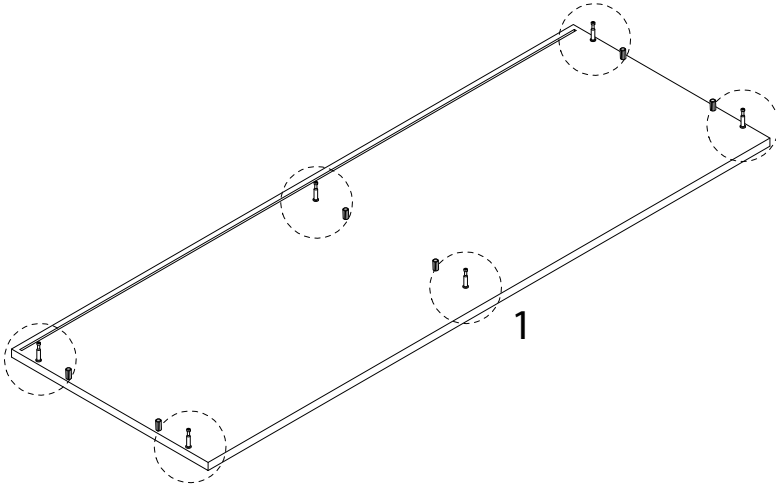
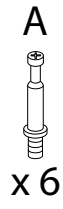
C



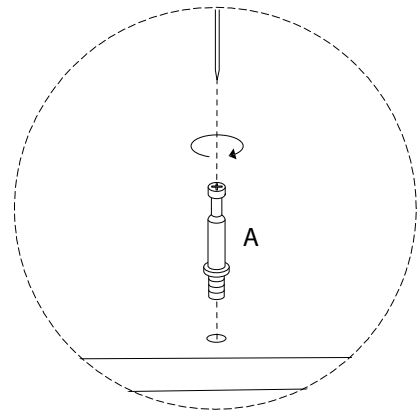
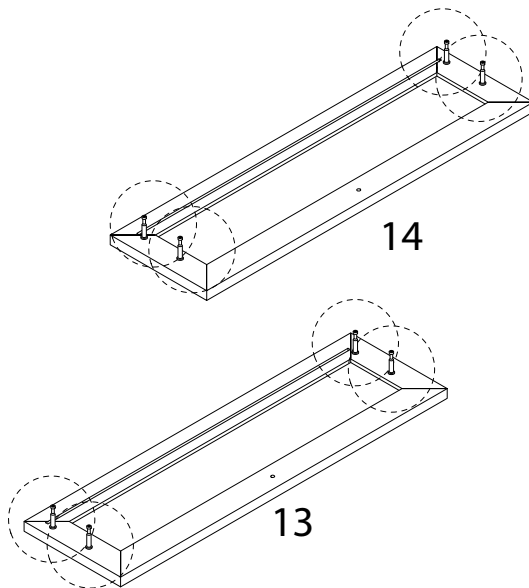
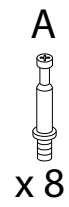
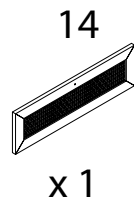
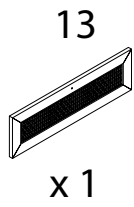
x 6



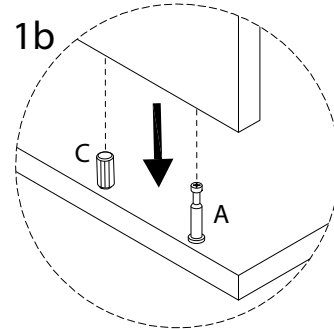
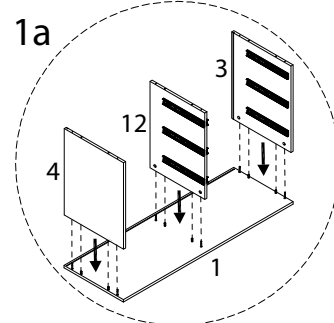
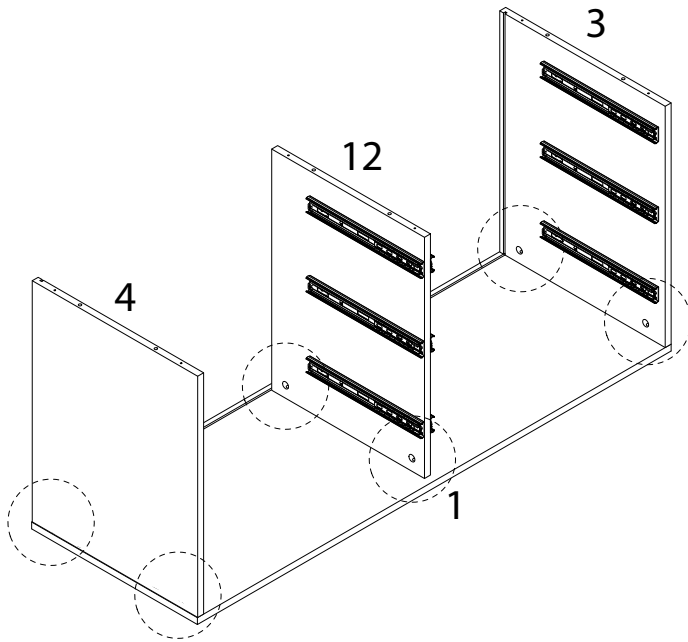
4



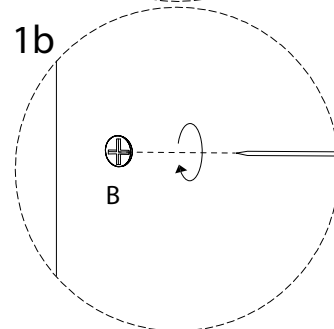
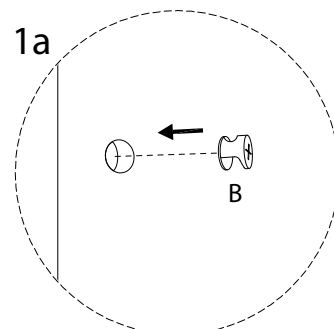
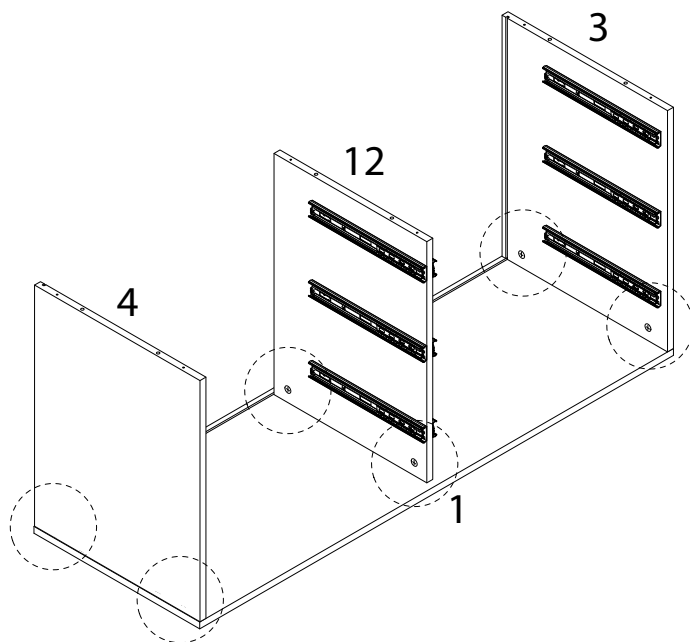
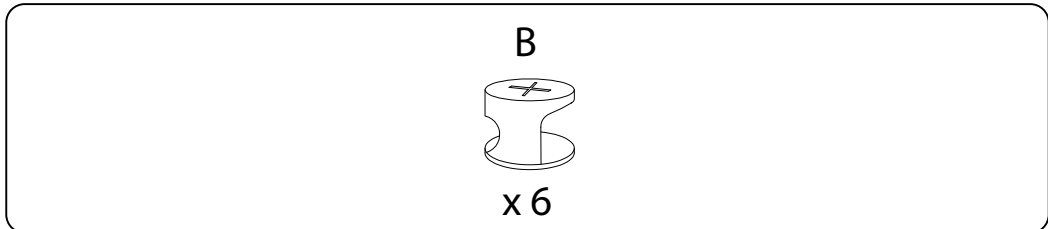
5 x 3



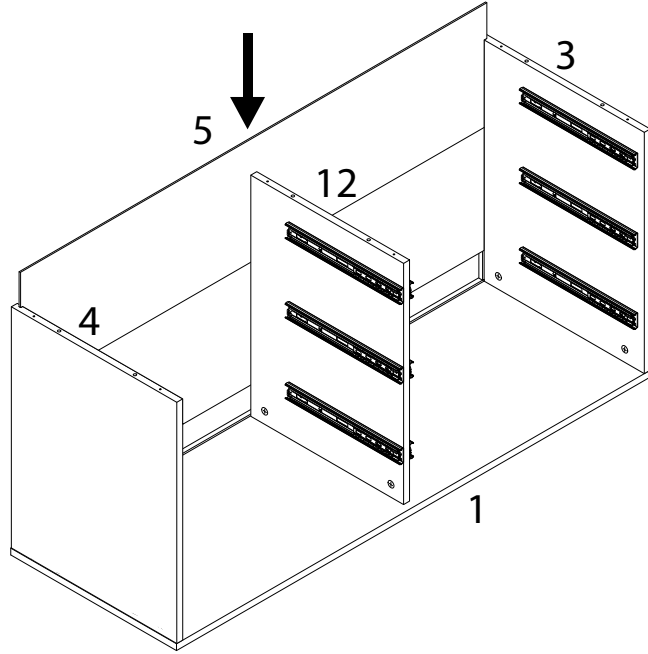
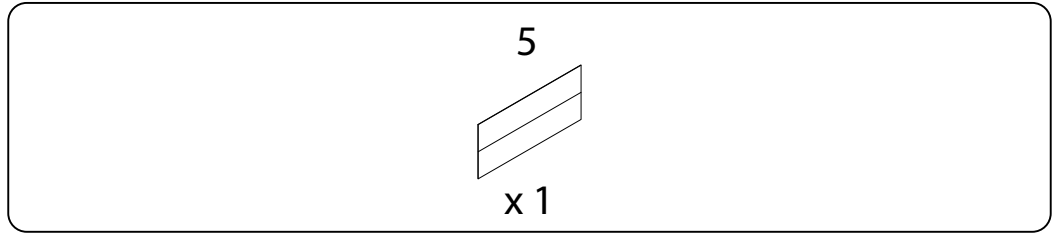
6



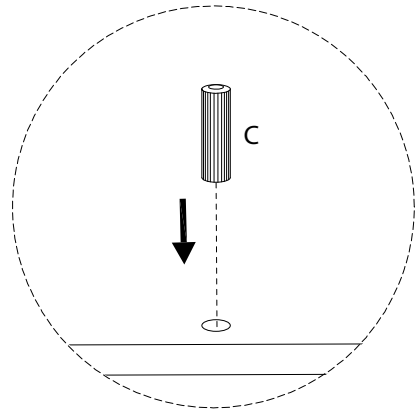
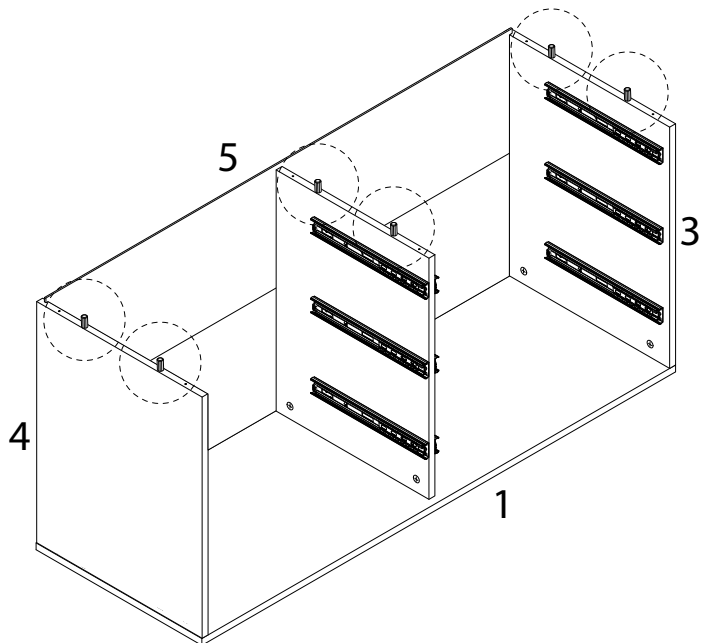
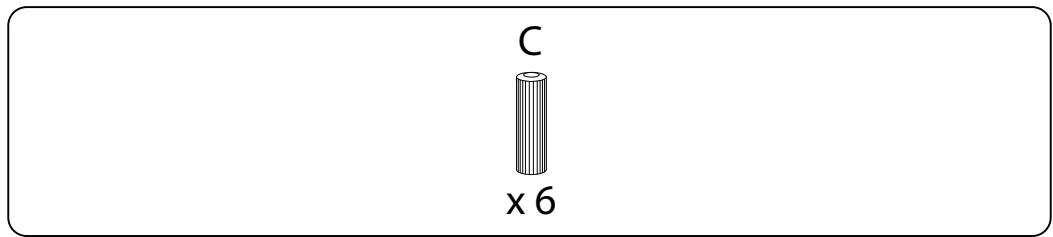
7



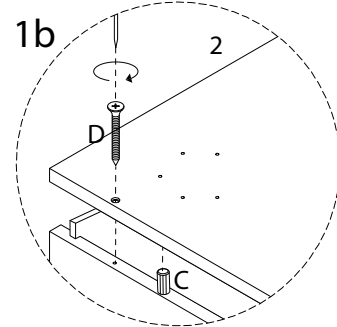
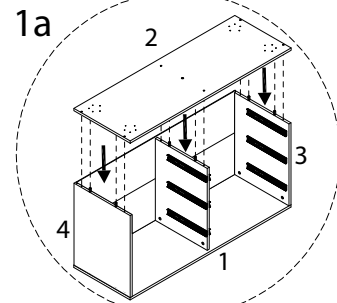
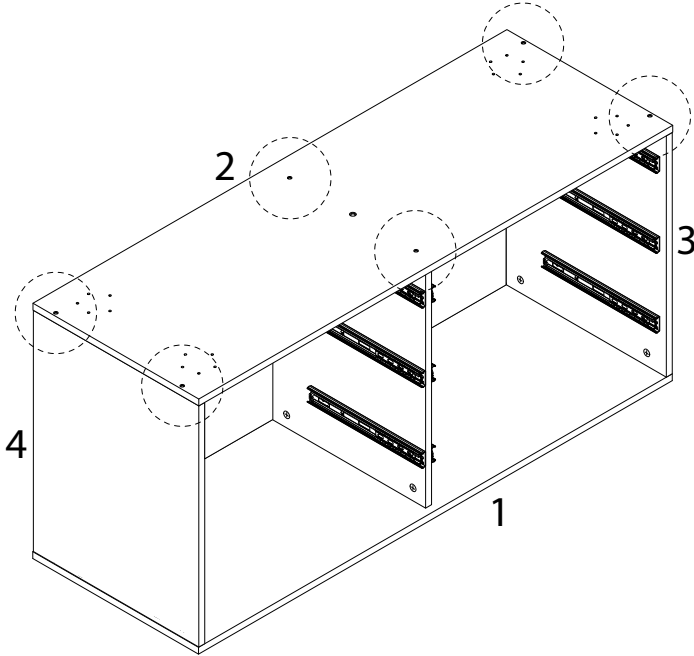
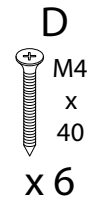
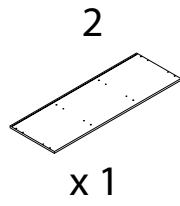
8



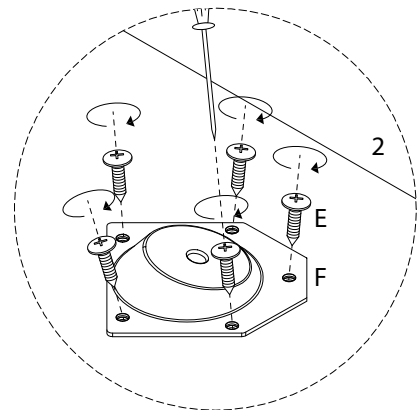
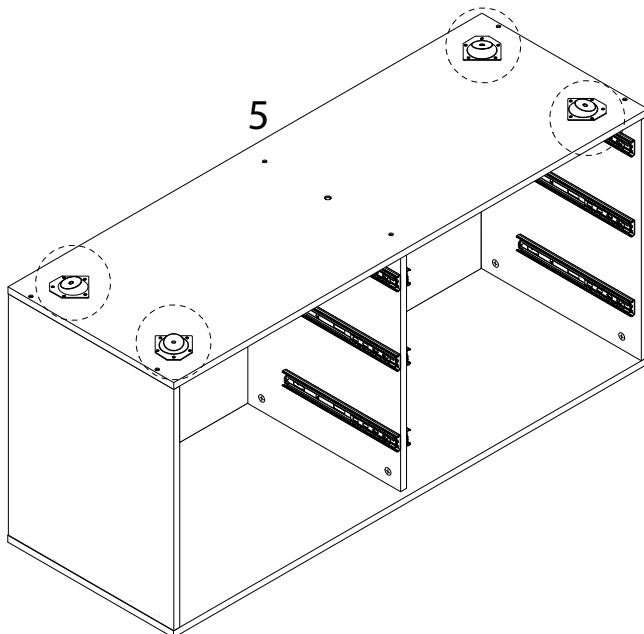
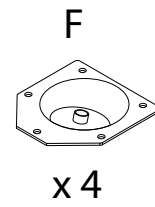
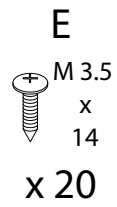
9



10



11



12

10

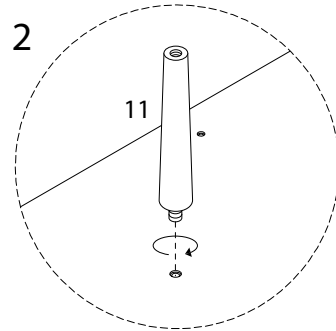
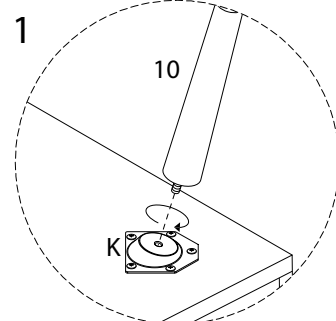
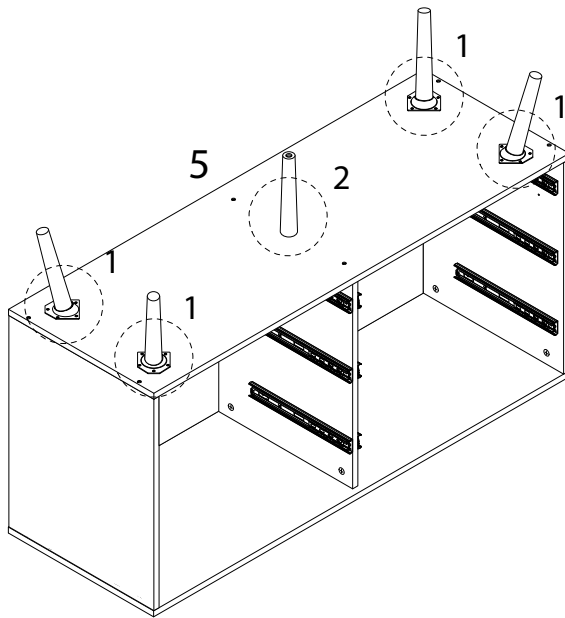


x 4

11



x 1



13

L

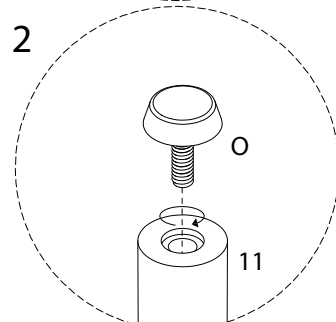
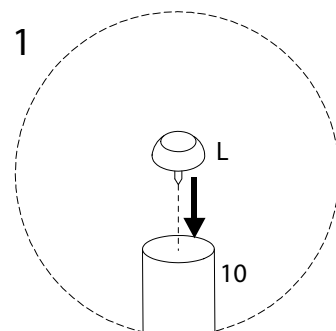
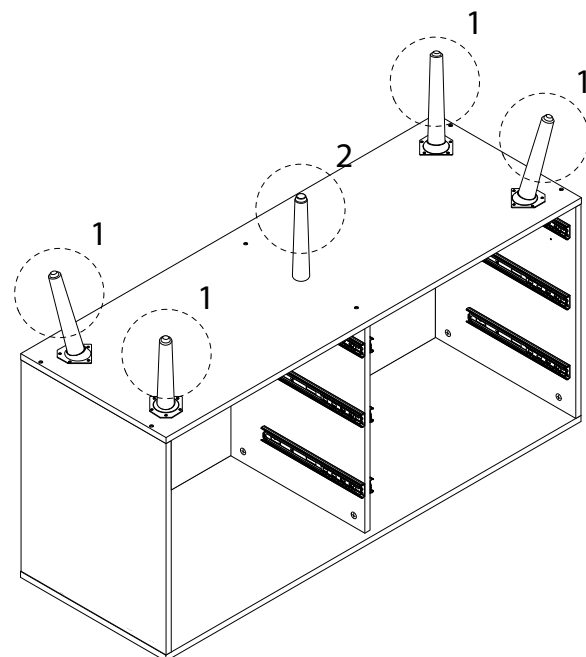


x 4

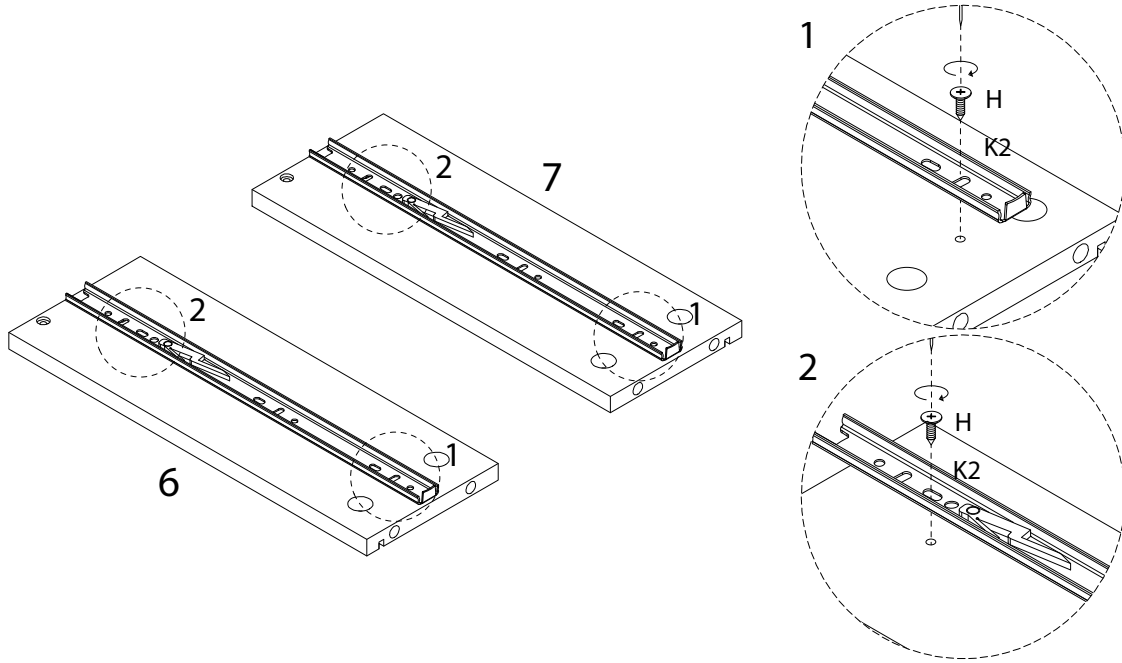
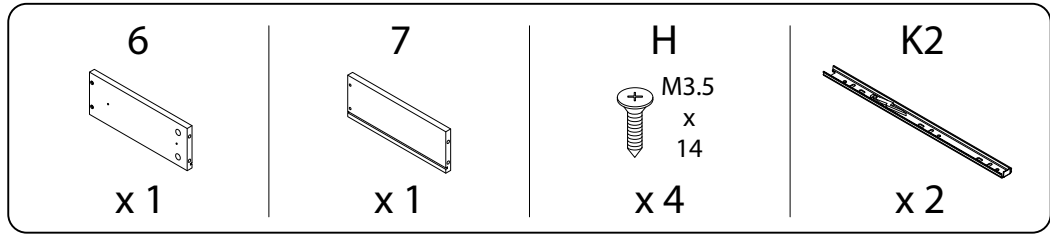
O



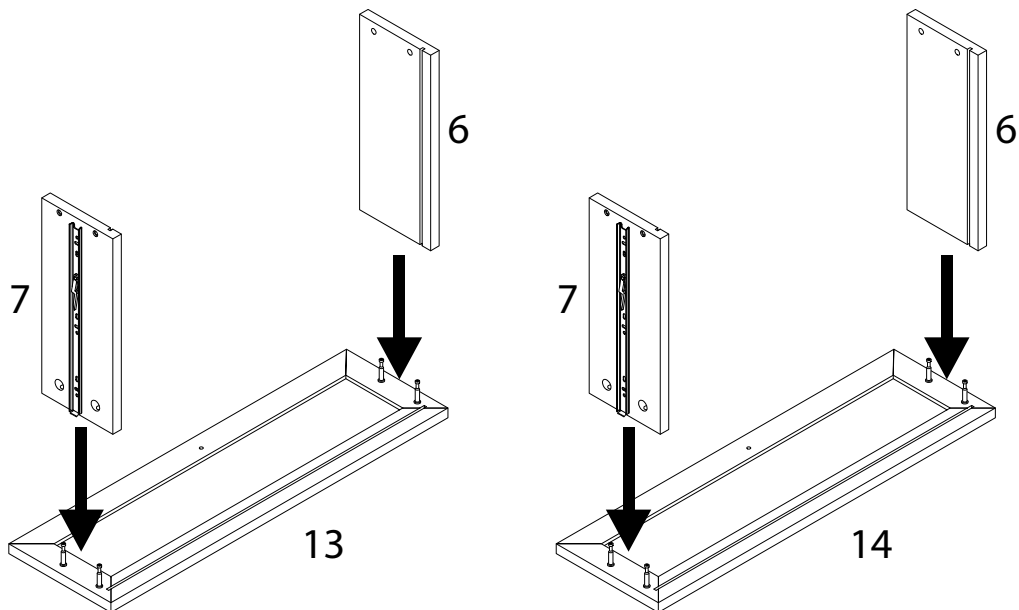
x 1



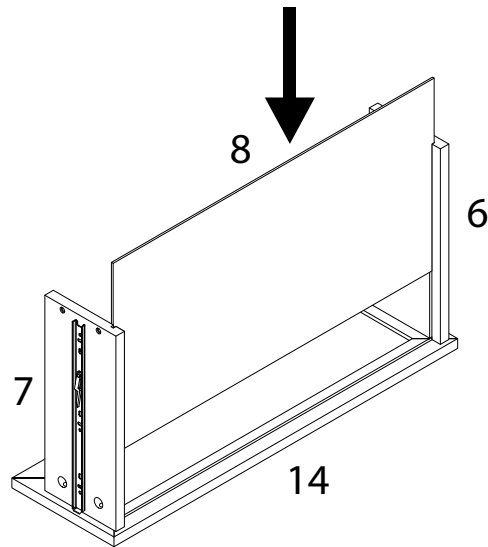
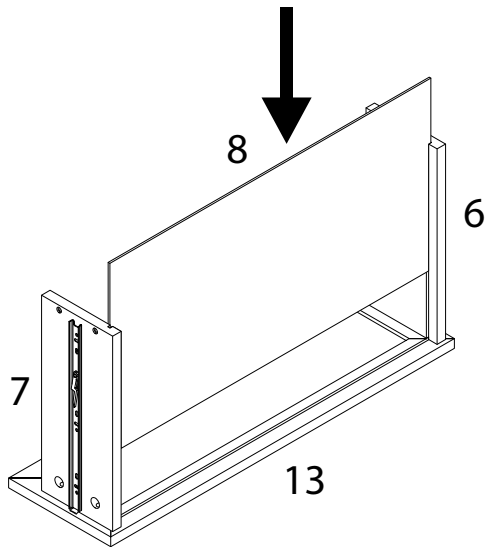
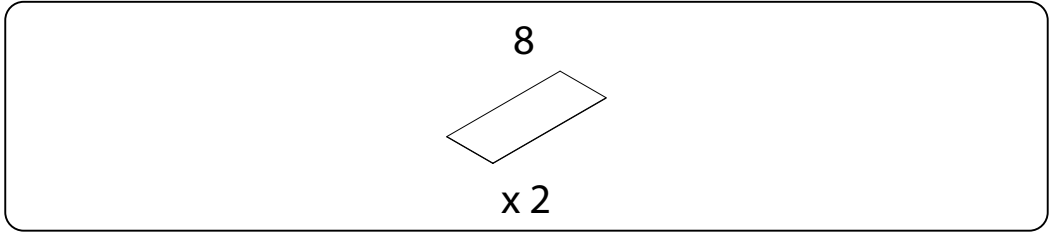
14 x 6



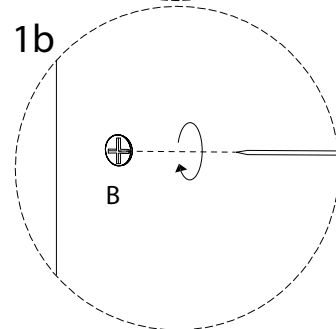
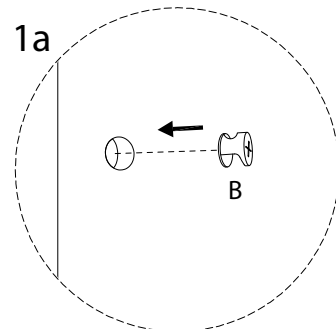
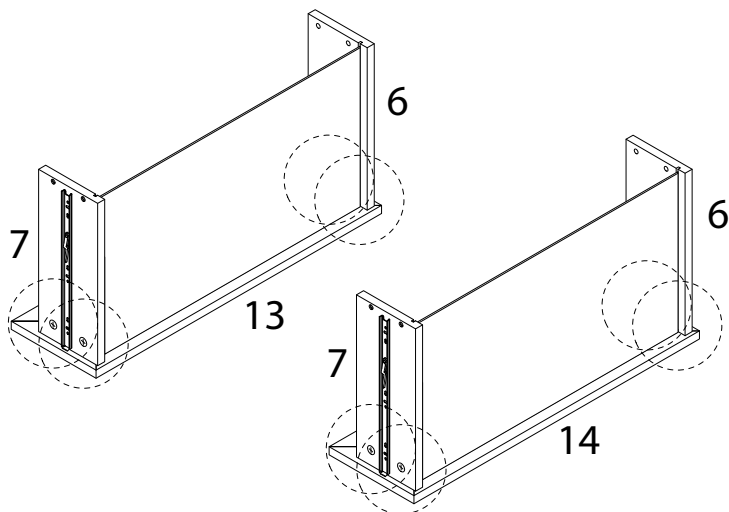
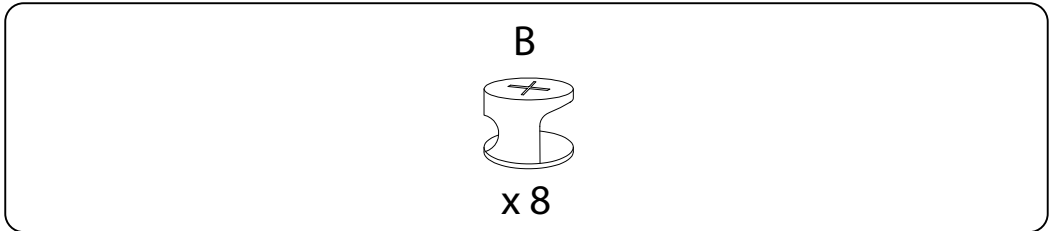
15 x 3



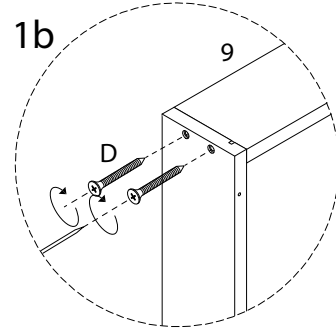
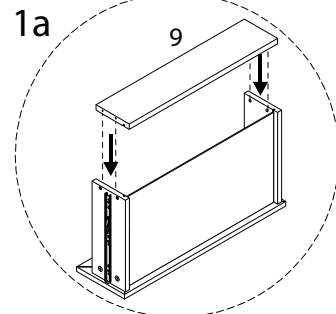
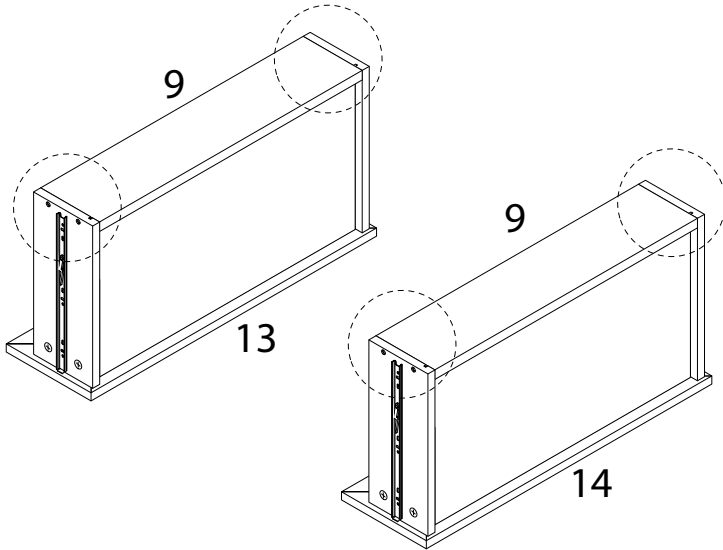
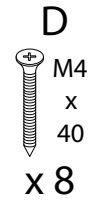
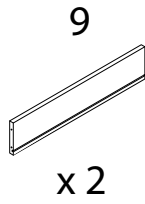
16 x 3



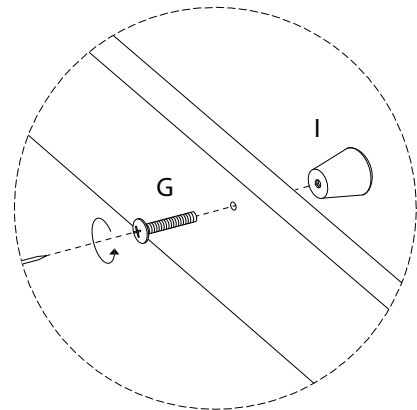
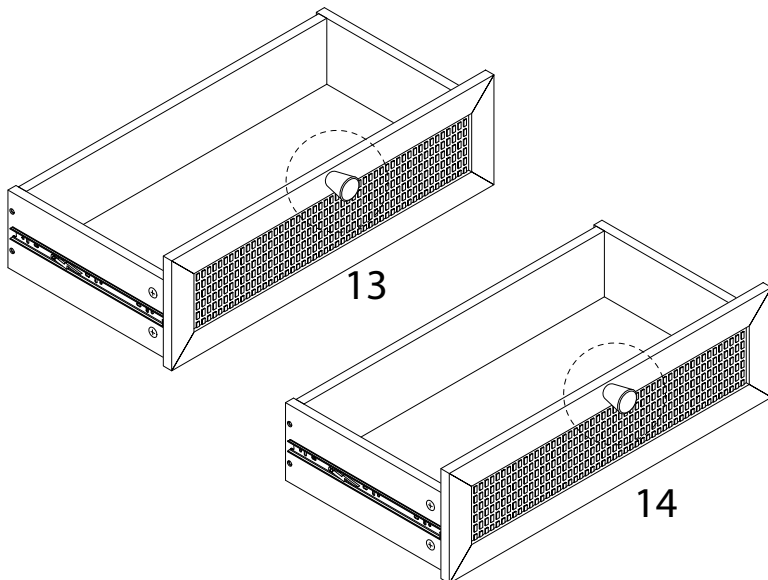
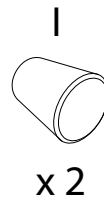
17 x 3



18 x 3



19 x 3



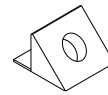
20

H

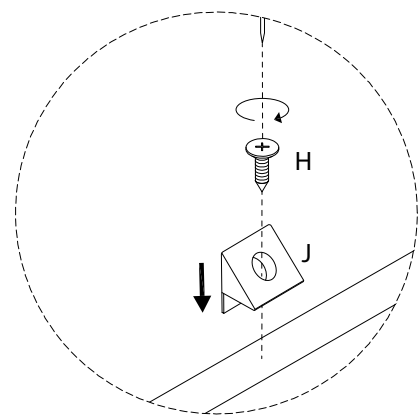
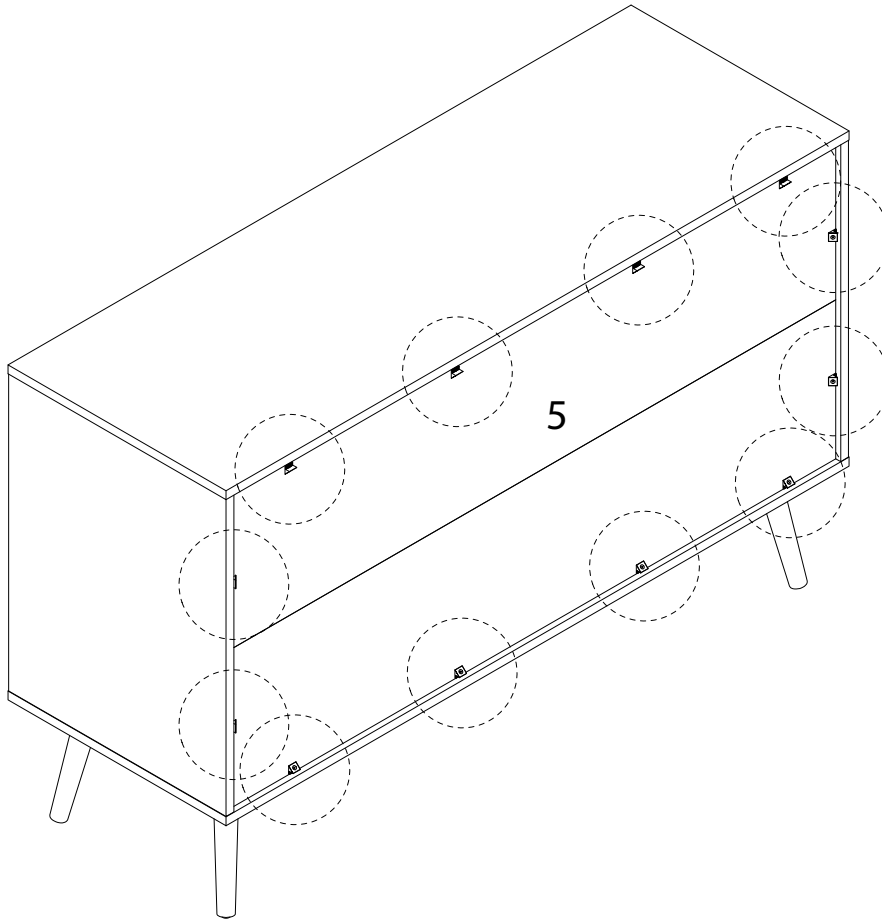


x 12

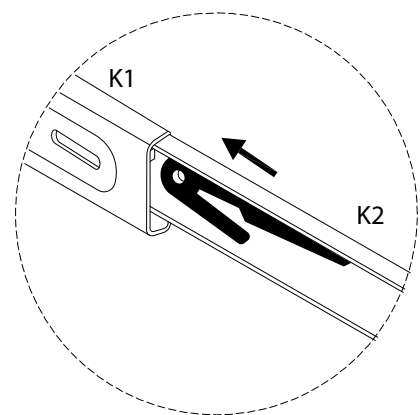
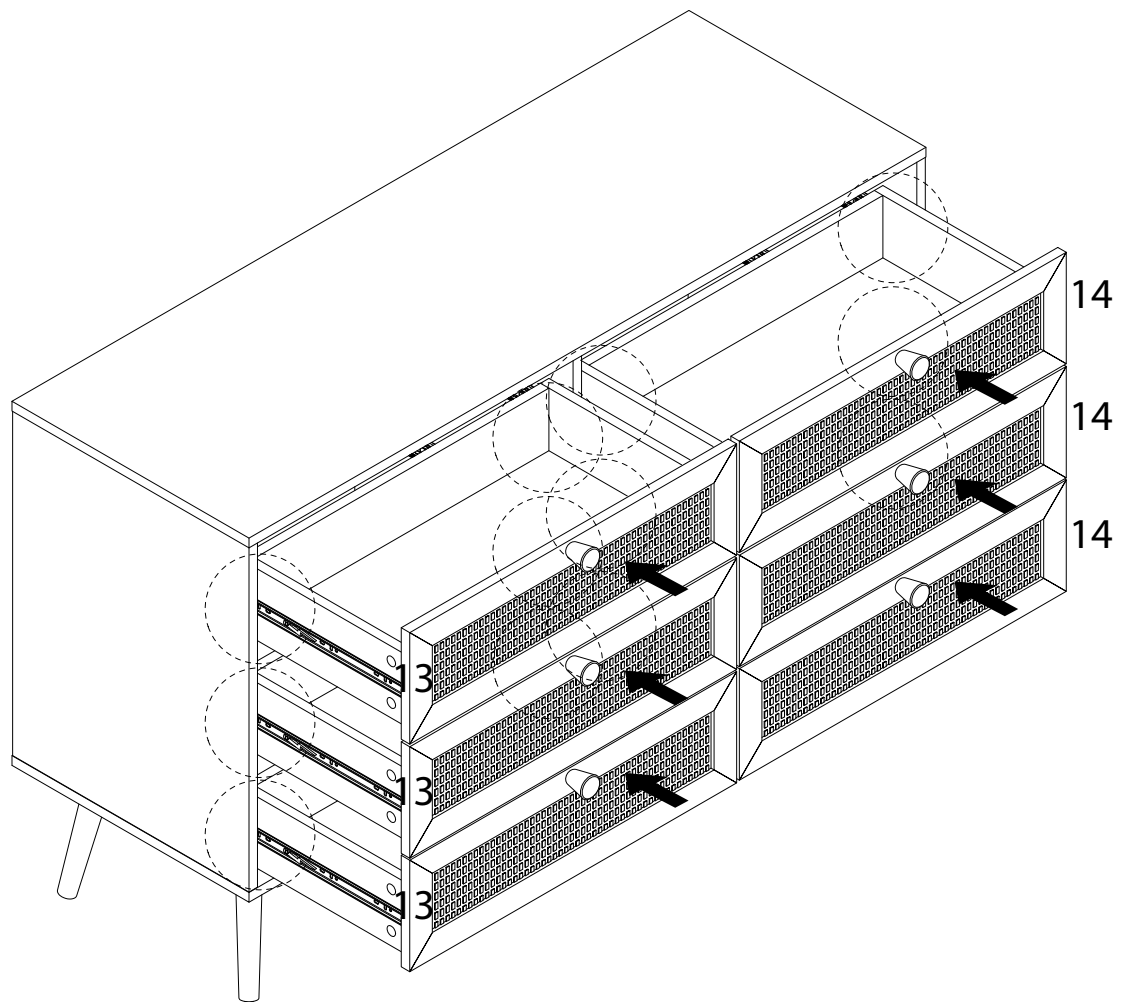
J



x 12



21



22

D  
M4  
x  
40  
x 2

H  
M3.5  
x  
14  
x 2

M  
x 2

N  
x 2

