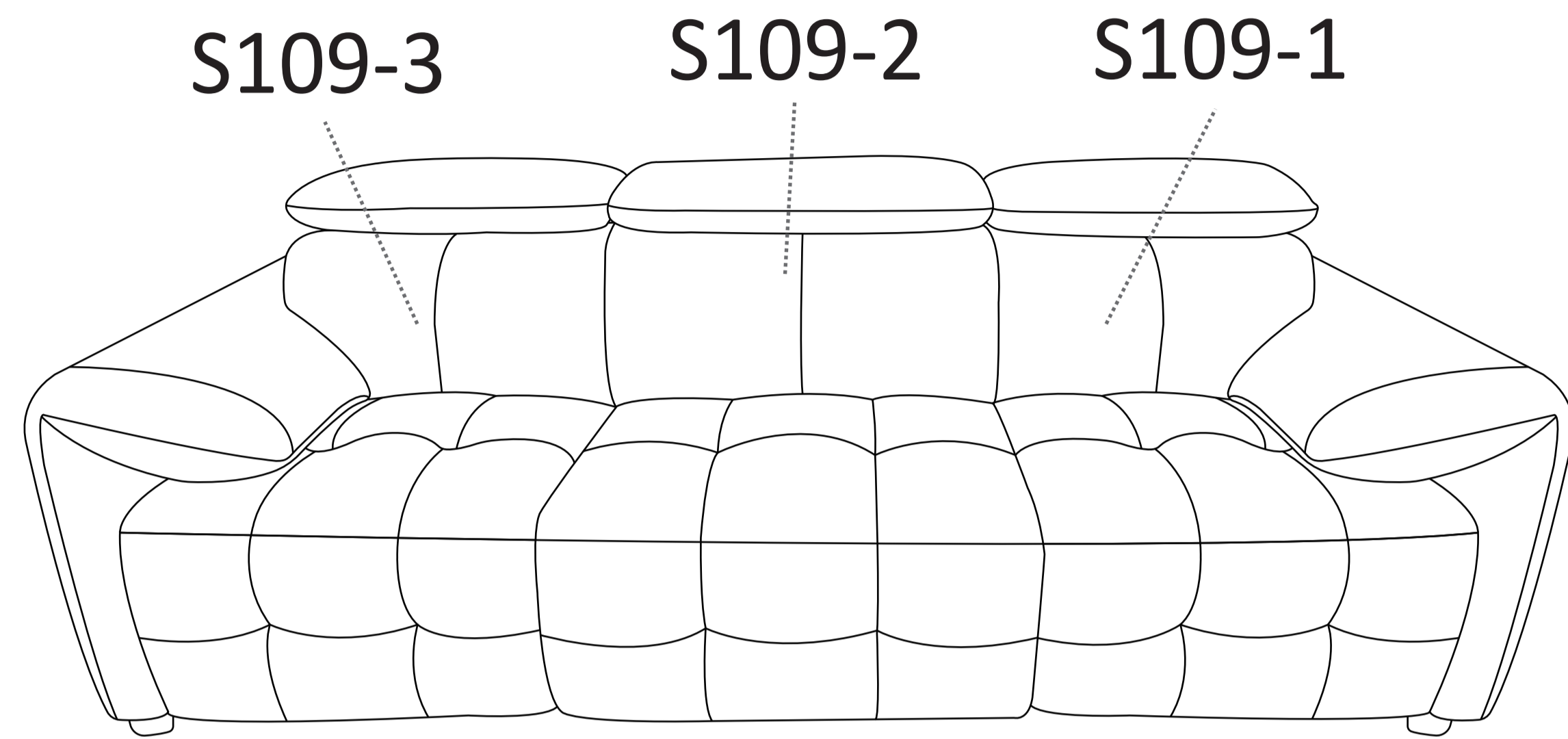
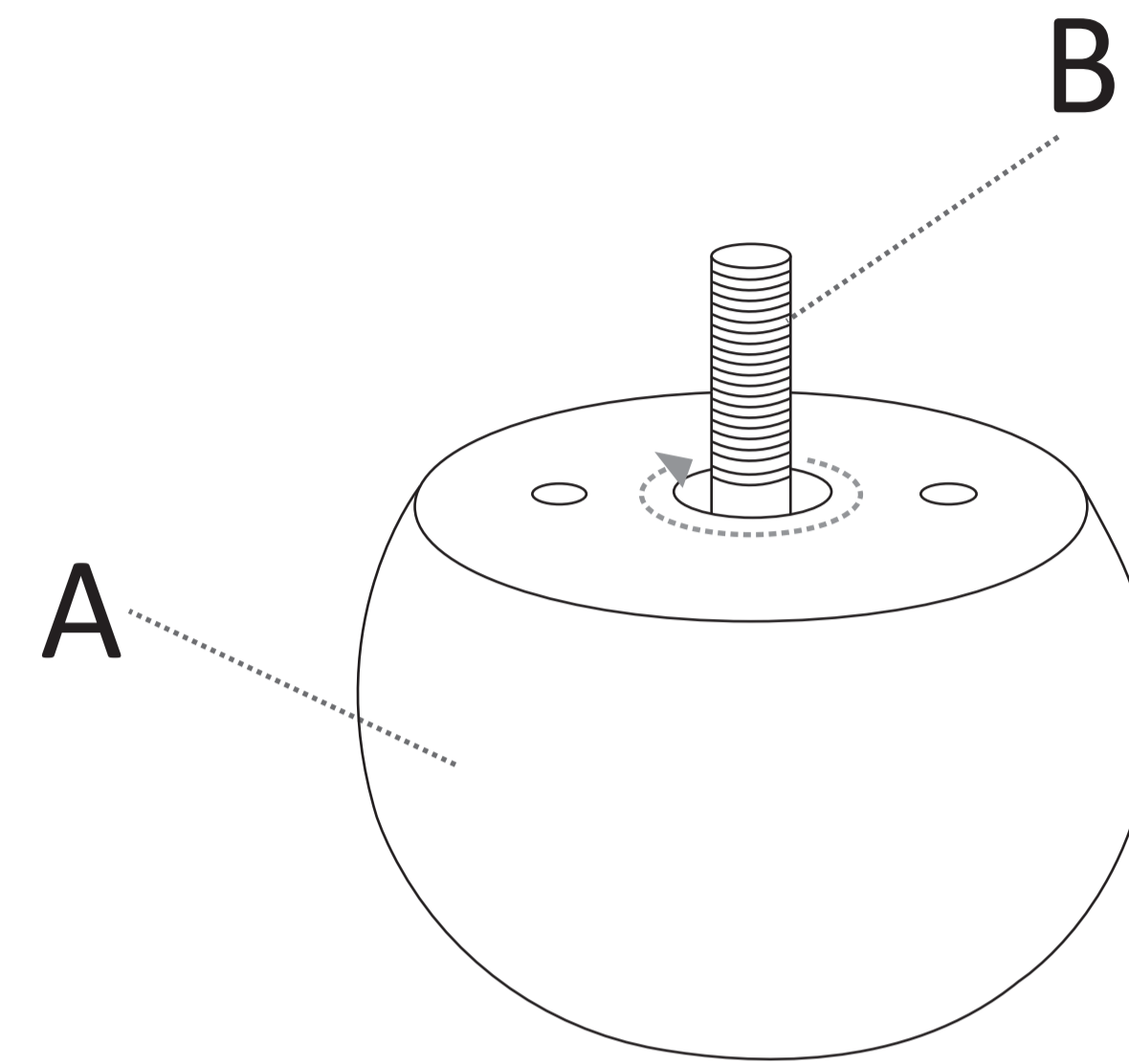


Assembly Instruction(1/2)



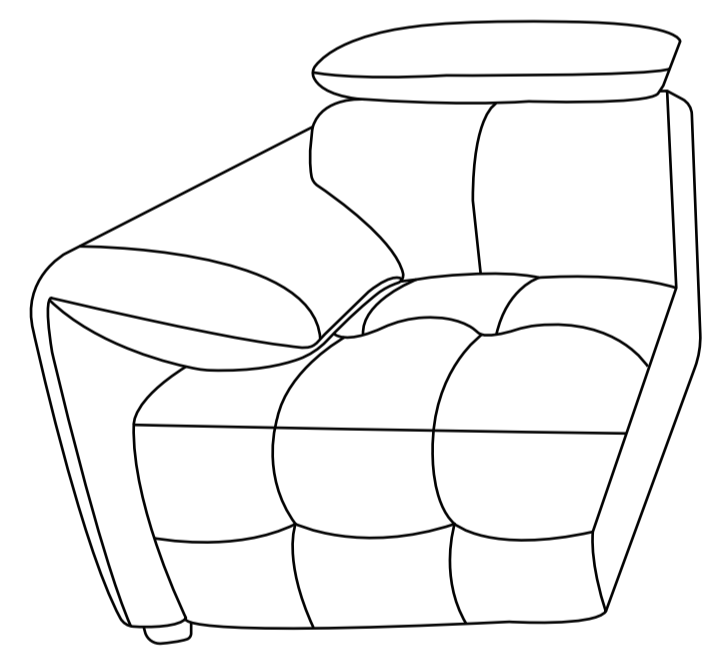
Step 1



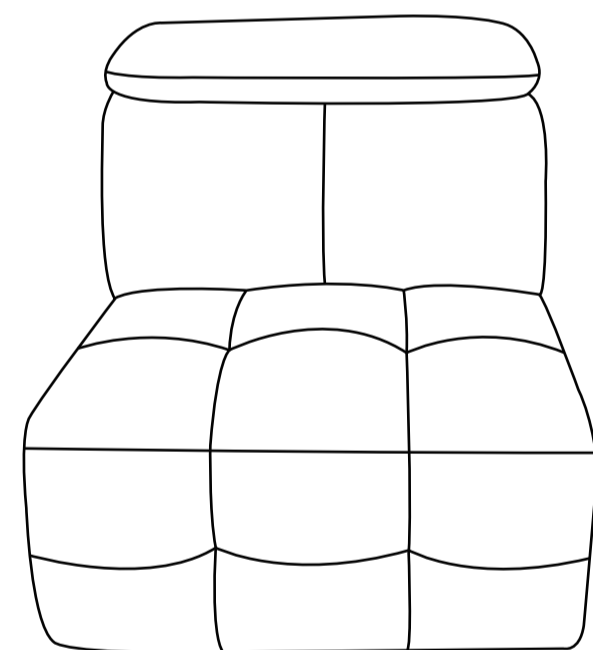
Step 1

Open the package to remove the parts, remove the remaining parts and check the quantity.

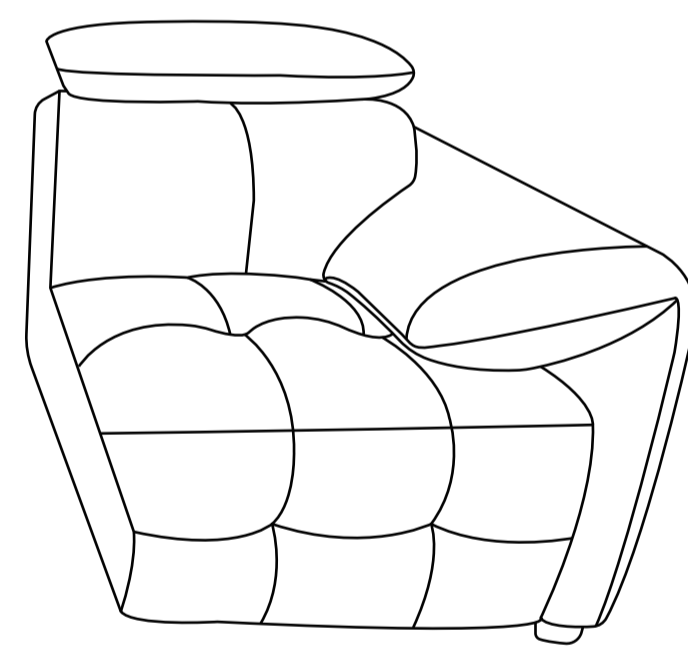
Step 2



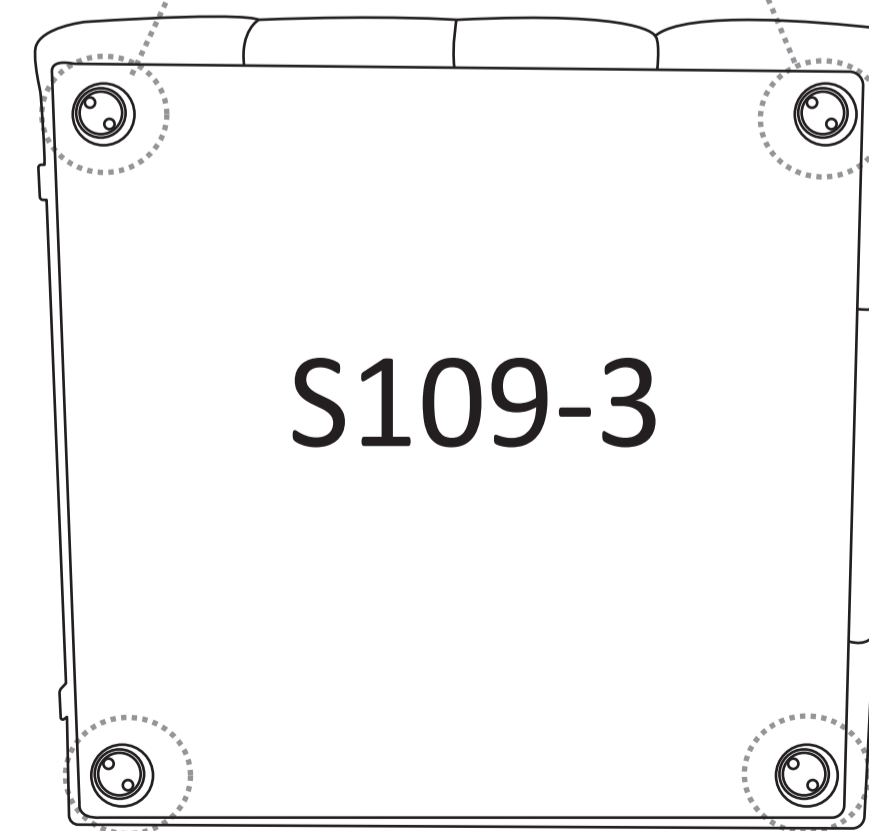
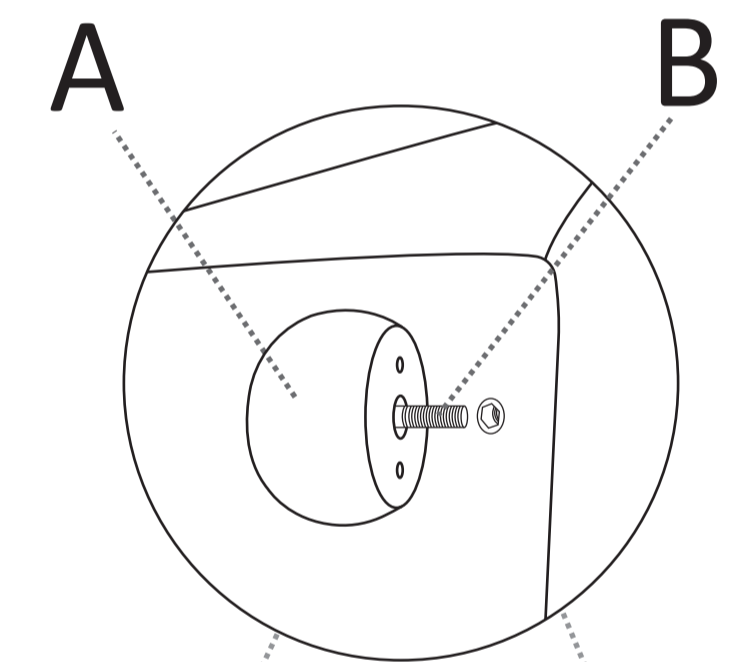
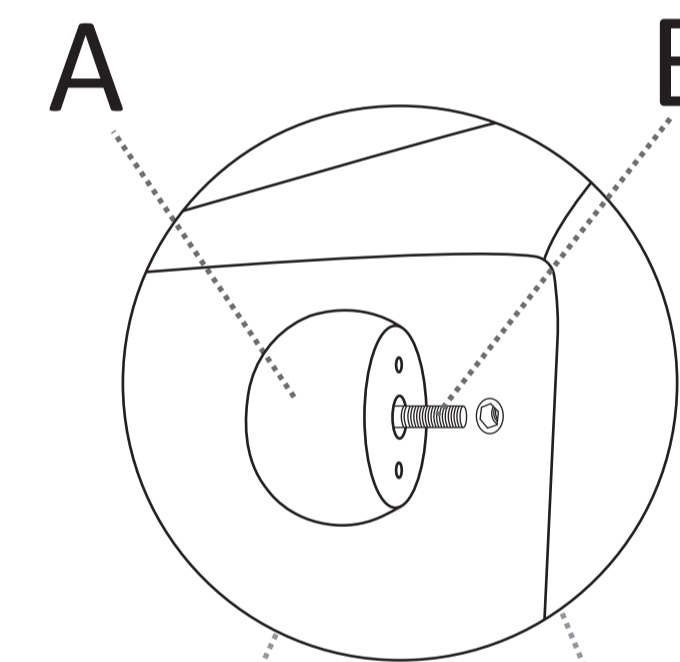
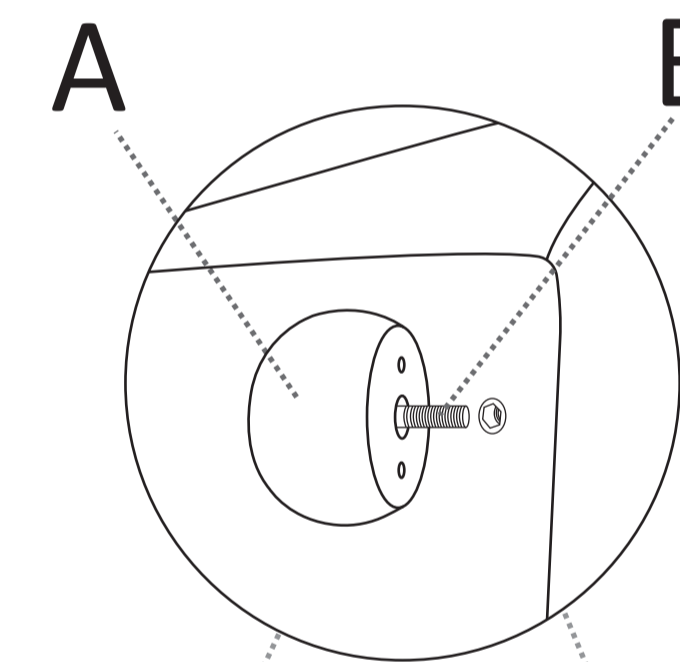
S109-3



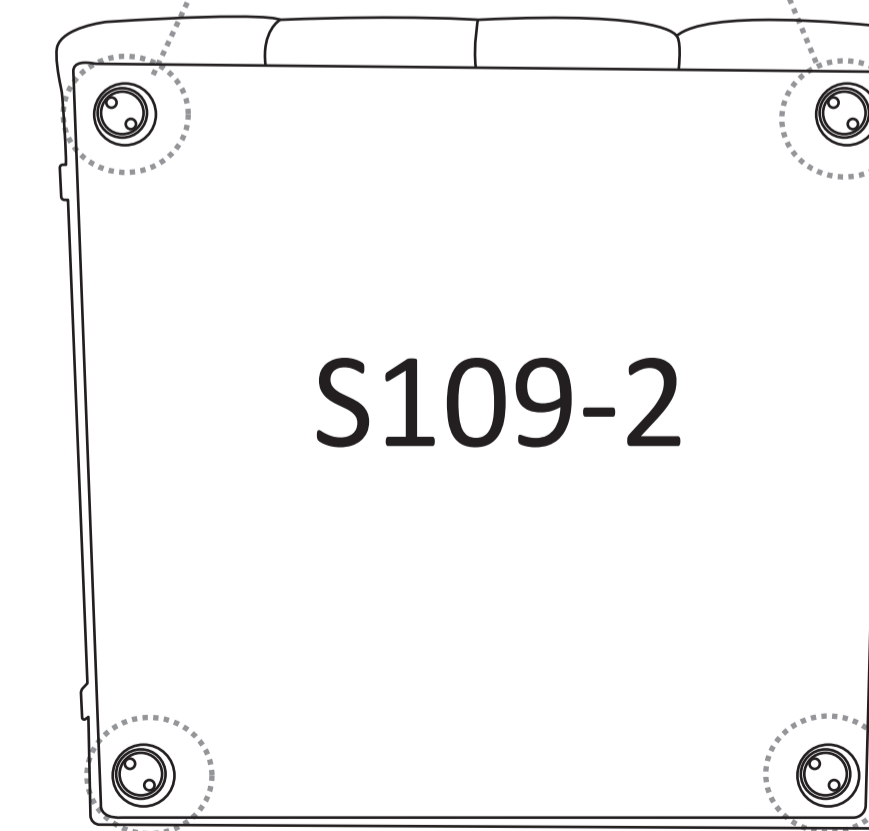
S109-2



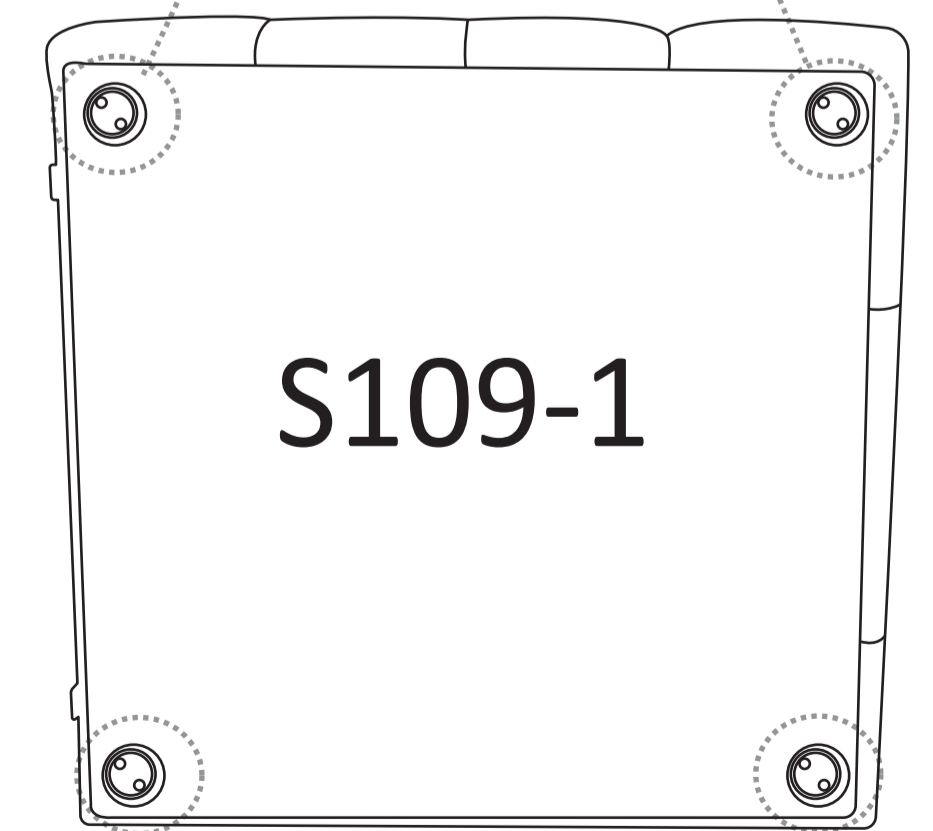
S109-1



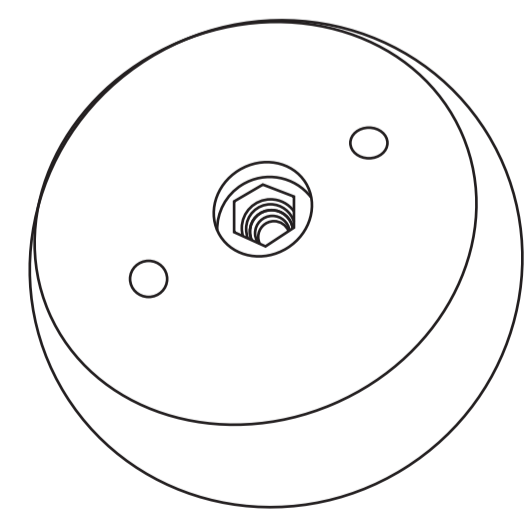
S109-3



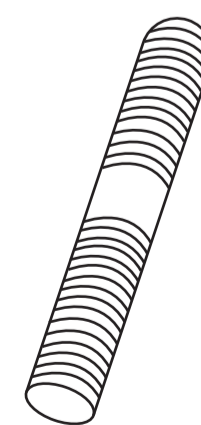
S109-2



S109-1



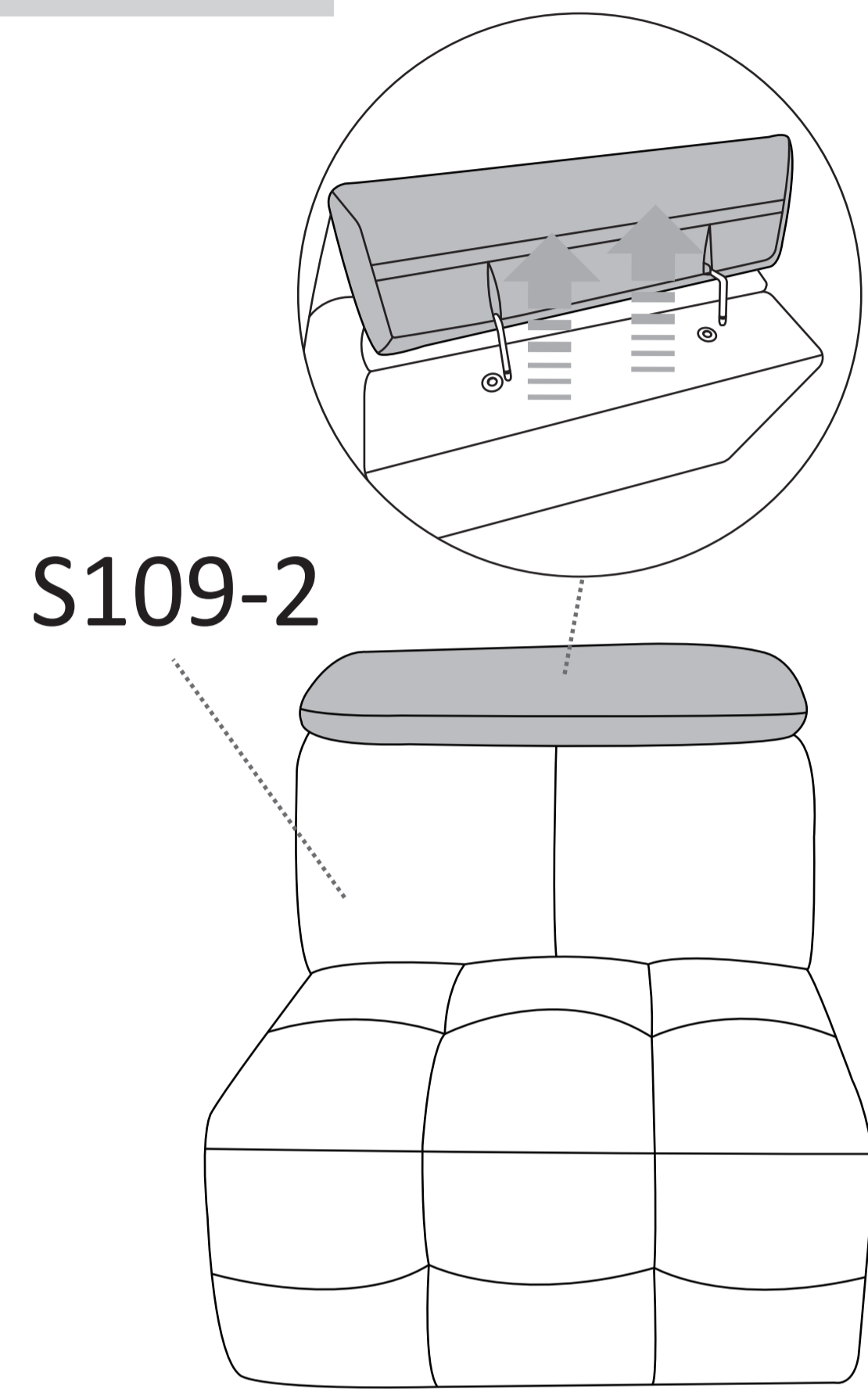
A × 12



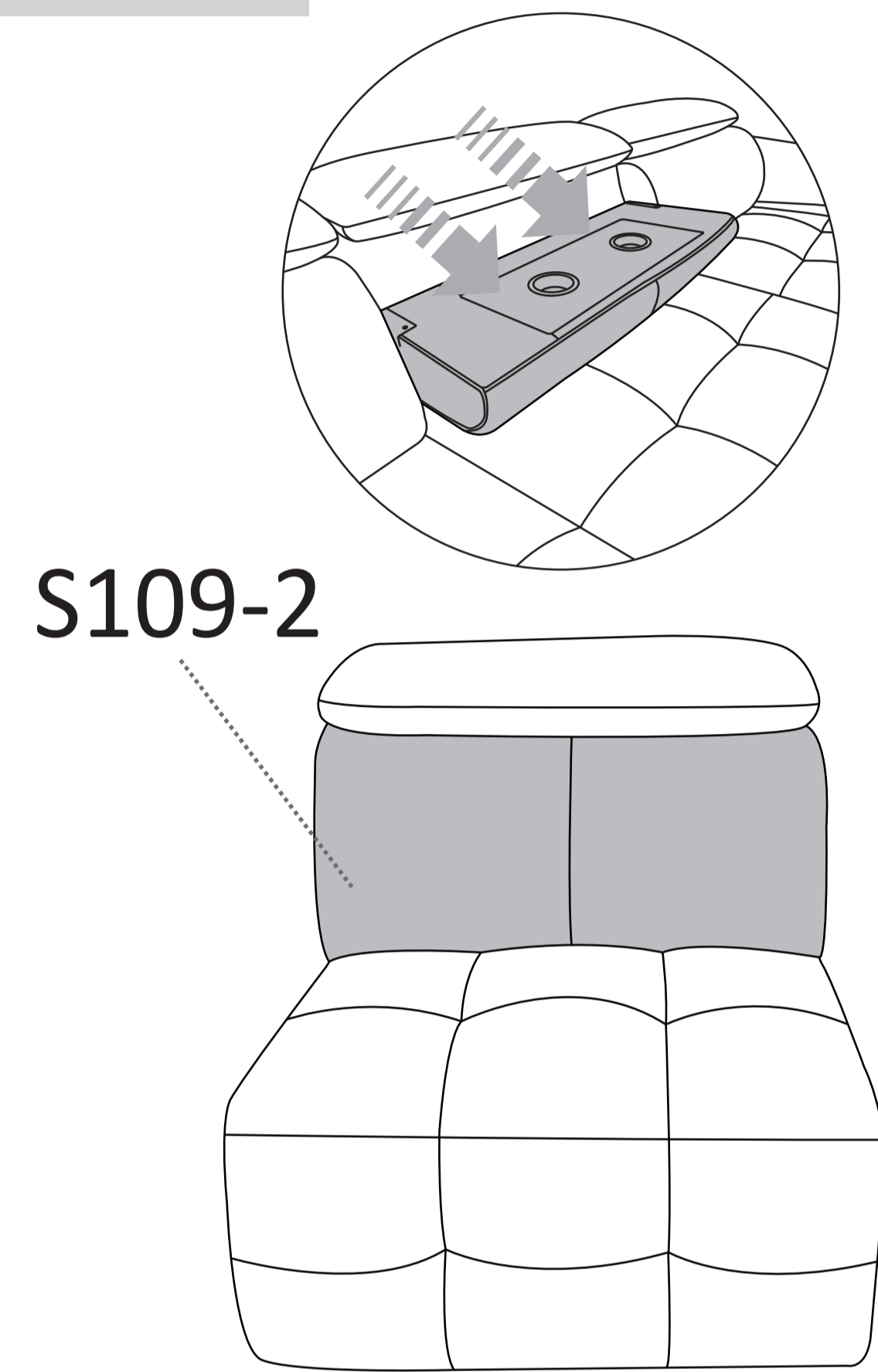
B × 12

Assembly Instruction(2/2)

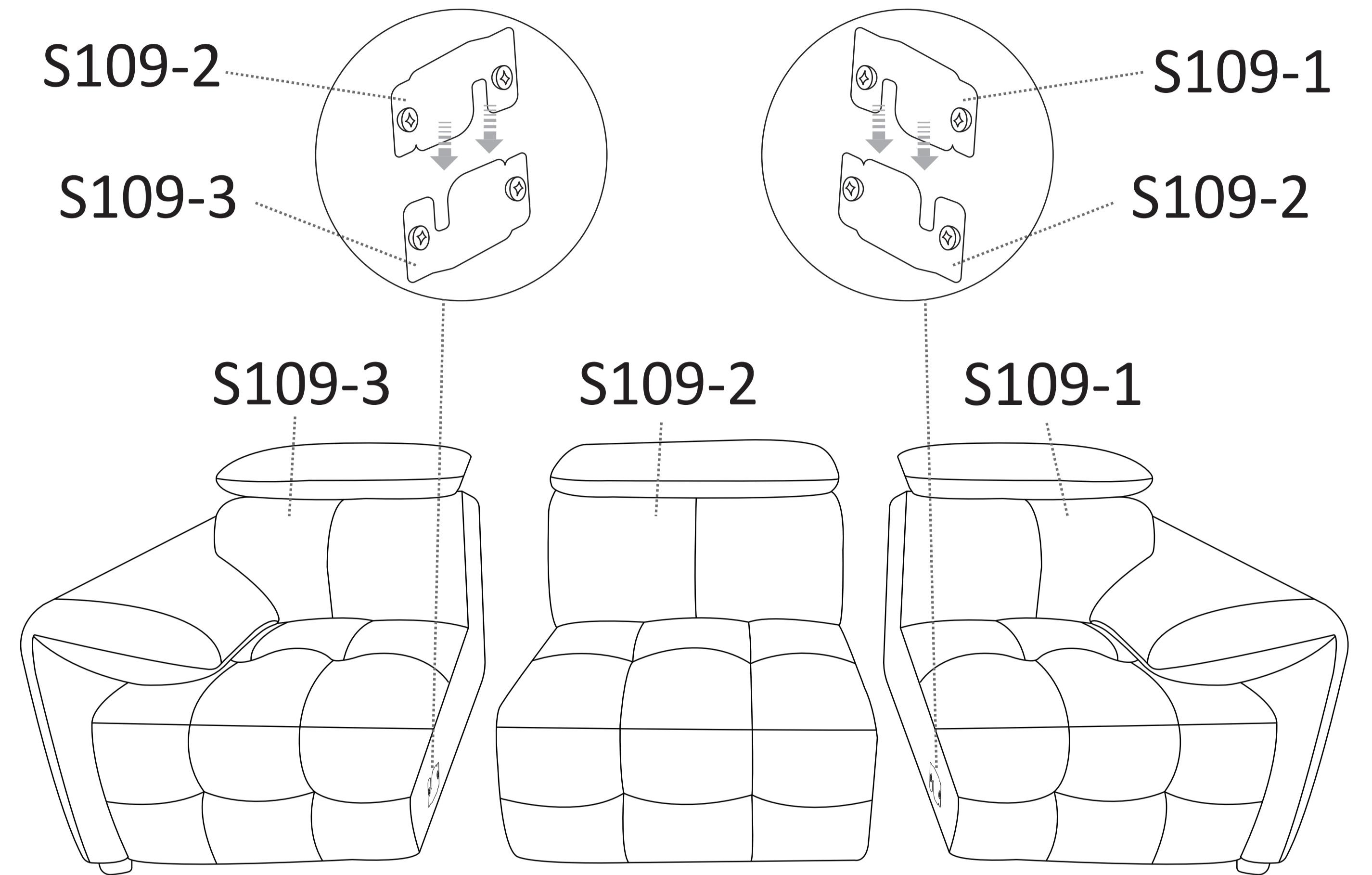
Step 3



Step 3



Step 3



Step 4

