

Weight Capacity

100 LBS

Thank You For Choosing Our Furniture

- ▀ If you have any questions or concerns, don't hesitate to reach out to us. ▀

Call us: +1(833)324-2464
Email: hello@hulalahome.com

NOTE:






This brochure contains **IMPORTANT** safety info. Please read and keep it for future reference.

MAINTAINANCE AND WARNINGS



Before You Start

Please follow the steps below:




-  Check the packaging for any damage, deformation, or water stains. If there is significant damage, please contact us promptly.
-  Open the packaging and confirm that the panels, hardware, screws, etc are complete.
-  Please read the installation instructions carefully to understand the installation steps and precautions to ensure proper installation.
-  Clean the installation area in advance and ensure the ground is level and there is enough space to avoid damaging the furniture or making installation difficult.
-  Lay a protective mat on the ground to prevent scratching the floor during installation.

After-Sales Service

- If you encounter any issues or need technical support during use, please contact our after-sales team. We offer long-term maintenance and warranty services.





Precautions

-  This product for indoor use only. Do not expose it to outdoor elements or high-humidity environments.
-  Keep the product away from high heat or open flames to prevent fire hazards.
-  Do not allow children to climb on the product to prevent personal injury caused by tipping



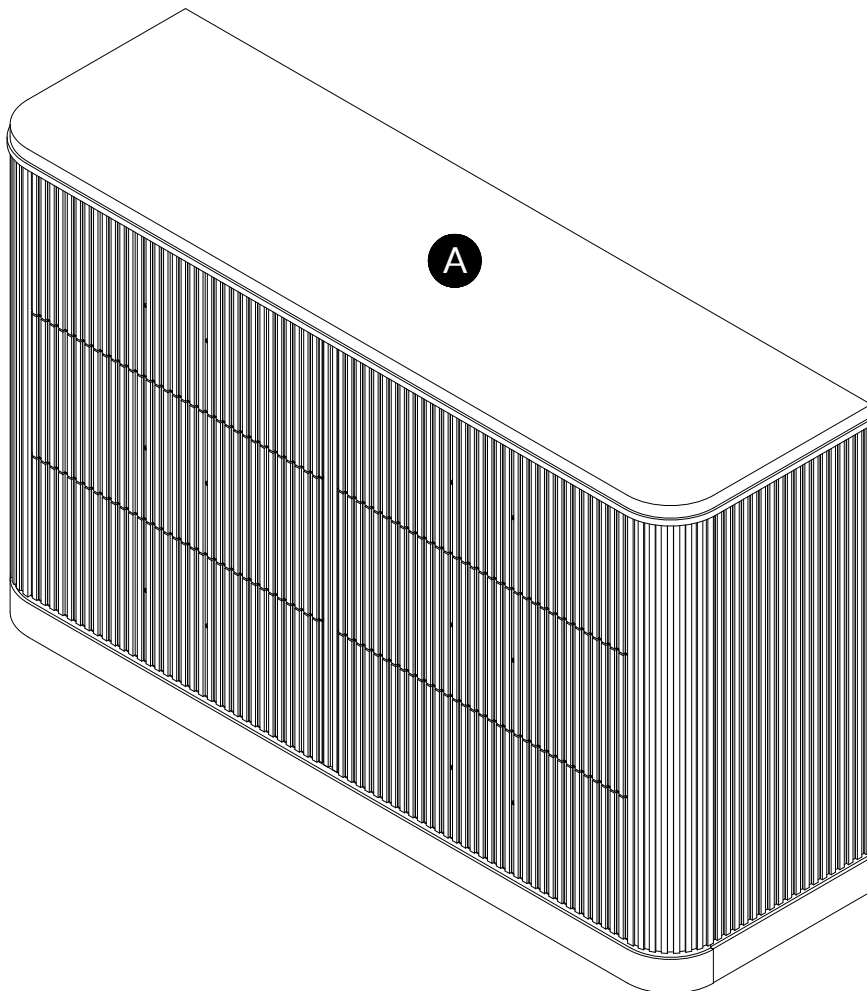
Safety Warnings

-  If you notice any loose or damaged parts, stop using the product immediately and contact customer service.
-  Do not attempt to disassemble or replace any components yourself, as this may affect the stability and safety of the product.

Daily Maintenance

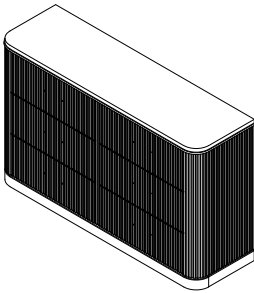
- Do not use cleaning agents containing acids, alkalis, or corrosive substances, as they may damage the surface. It is recommended to use neutral cleaning agents or specialized furniture cleaners
- Avoid exposing furniture to humid environments for extended periods to prevent swelling or deformation of the boards. Use a dehumidifier or desiccant during humid weather.
- Avoid direct contact of furniture with water. If water is accidentally spilled, wipe it dry immediately.
- Avoid placing excessively heavy objects on the furniture: ensure the weight is within a reasonable load-bearing range.
- Avoid using sharp or rough items on the furniture surface to prevent scratches, Handle items gently when moving them

Explosive view



Parts list

A



x1

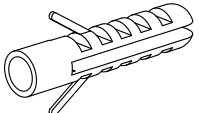
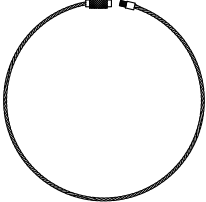
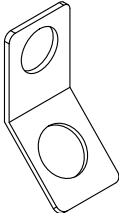
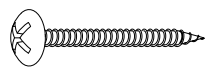
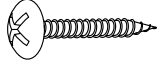
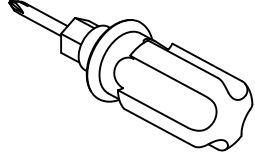


Installation:
15minutes.



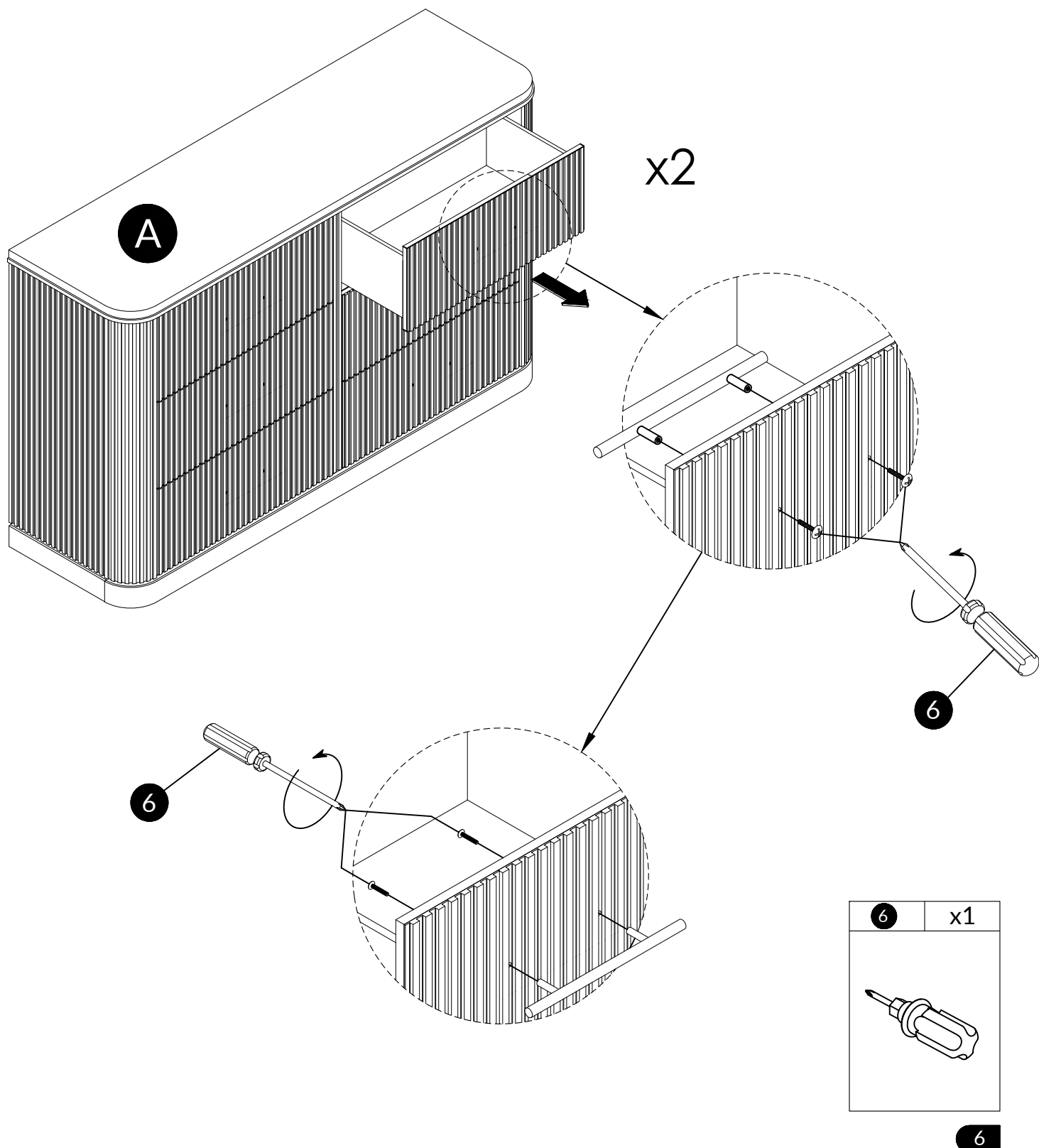
Two Person

Hardware List

<p>1</p>  <p>x2</p> <p>Not available</p>	<p>2</p>  <p>x2</p>	<p>3</p>  <p>x4</p>
<p>4</p>  <p>x2</p> <p>M4x39mm</p>	<p>5</p>  <p>x2</p> <p>M4x20mm</p>	<p>6</p>  <p>x1</p> <p>Not available</p>

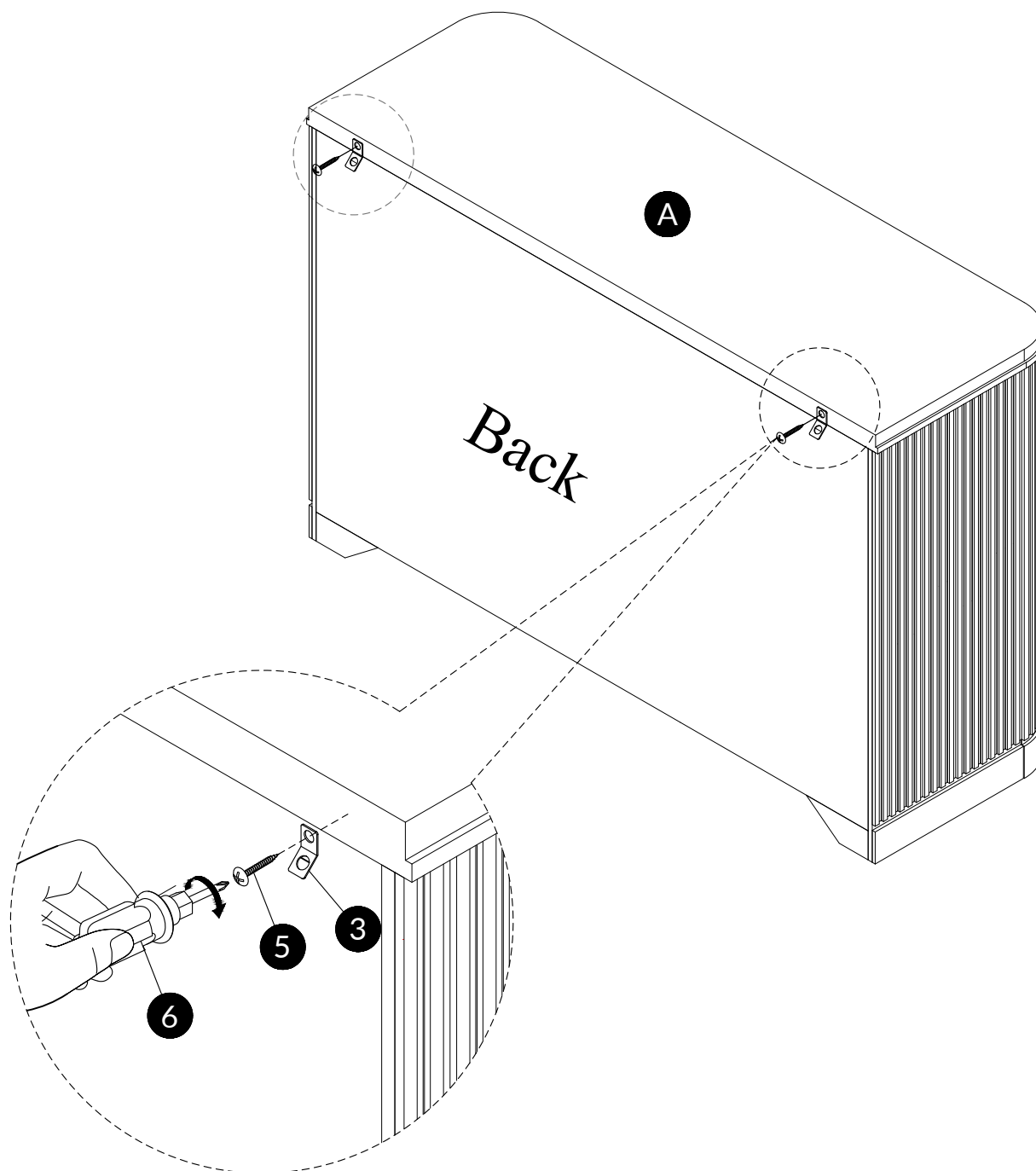
Step 1


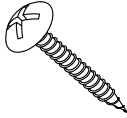
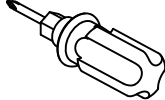
The handle is currently installed facing inward to facilitate transportation, and it is secured with bolts. Now, use a screwdriver 6 to remove the bolts and detach the handle. Then, reposition the handle facing outward and reattach it using the previously removed bolts.





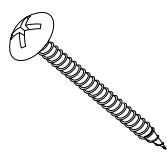
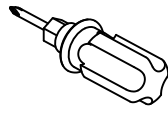
Step 2

Use screw 5 to attach part 3 to back panel for Dresser (A), tight screw with screwdriver 6.



3	x2	5	x2	6	x1
					
		M4x20mm			

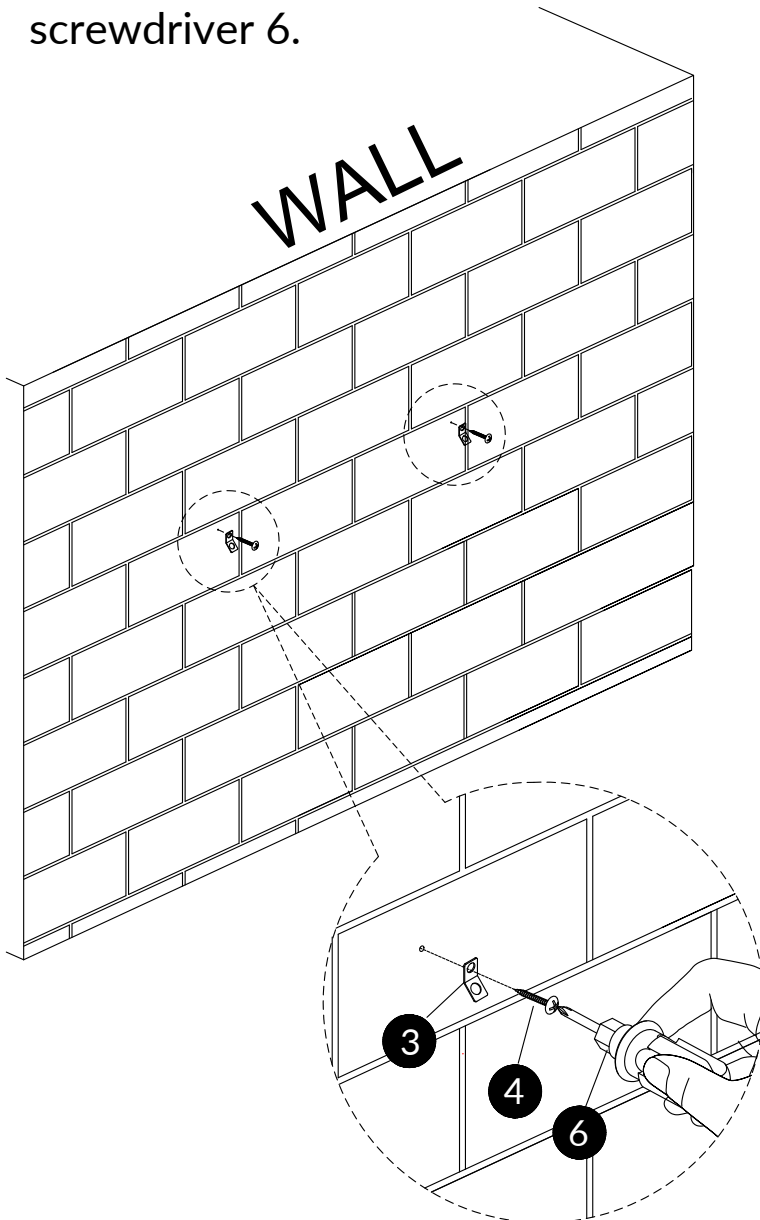
Step 3

1	x2	3	x2	4	x2	6	x1
				 M4x39mm			

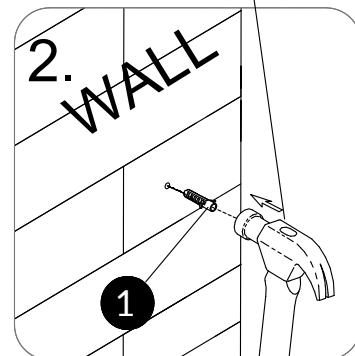
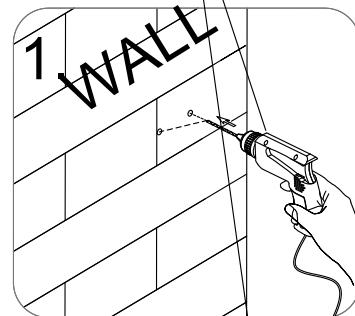
1. Install the anti-collapse device.

2. Mark the position on the wall, that corresponds to the location of part 3 on the of back panel for Dresser (A); Drill and insert the expandable screw 1 by hammer.

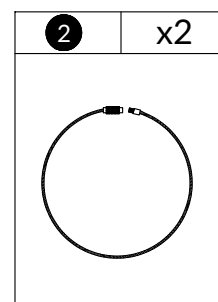
3. Assemble the part 3 to the wall. Align the hole in the part 3 with the expandable screw 1, use screw 4 to attach it and tighten by screwdriver 6.



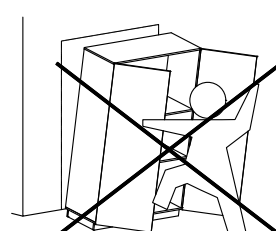
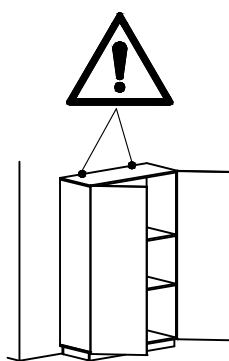
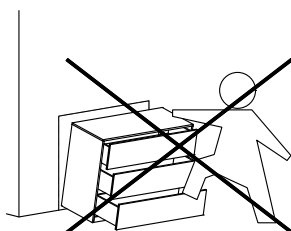
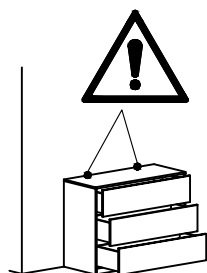
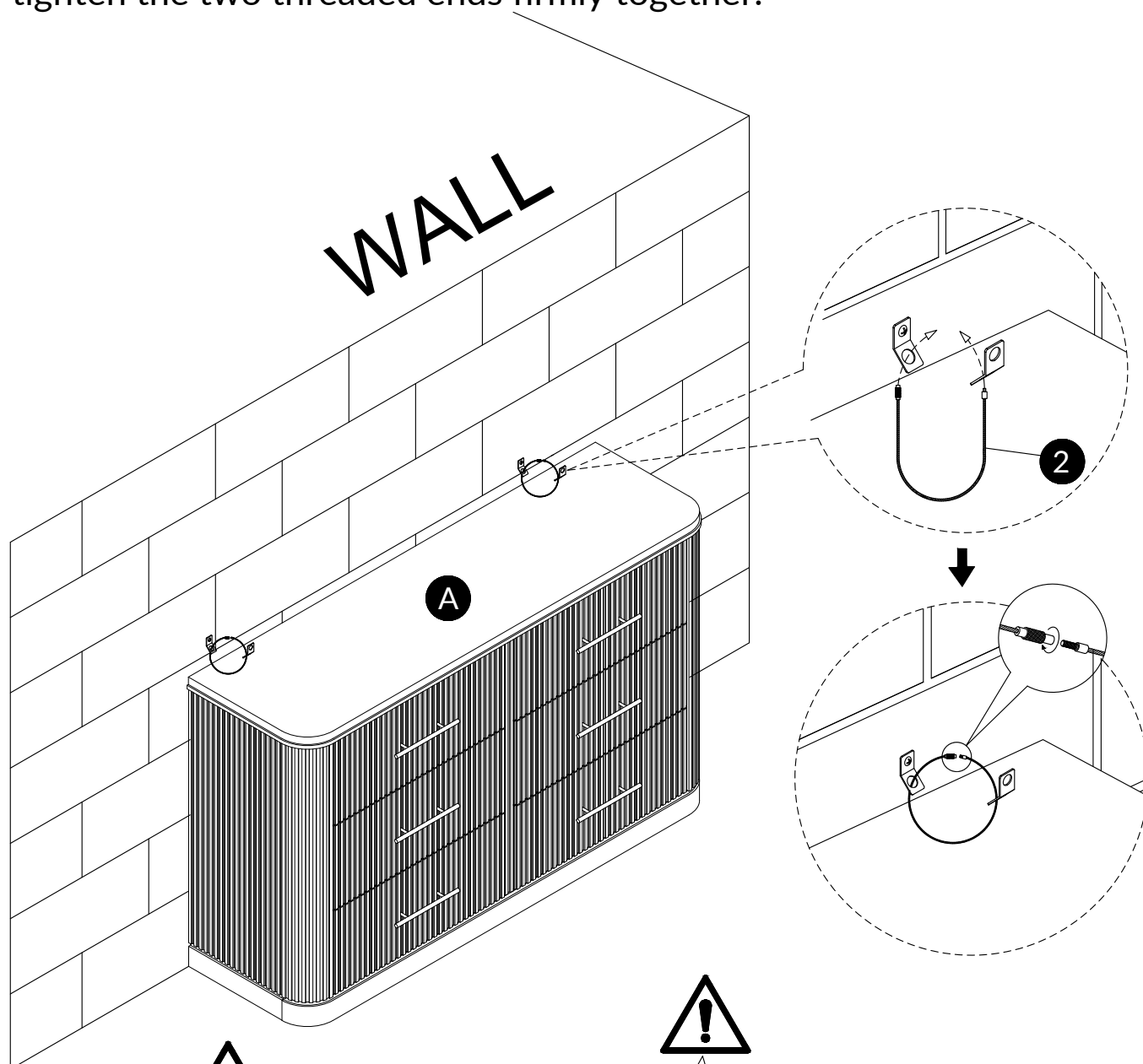
NOT PROVIDED



Step 4



insert the metal cable of part 2 through the holes of part 3 and tighten the two threaded ends firmly together.



WARRANTY

- We strive to offer quality products, and we also try our best to satisfy every customer who orders from us with products or services as needed.
- Replacement parts by purchasing them from our company if they are available.
- For return, please check the return policy with the retailer or market place you bought from

**Appreciate your purchasing from us.
Pop up your life by our furniture piece!**