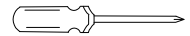
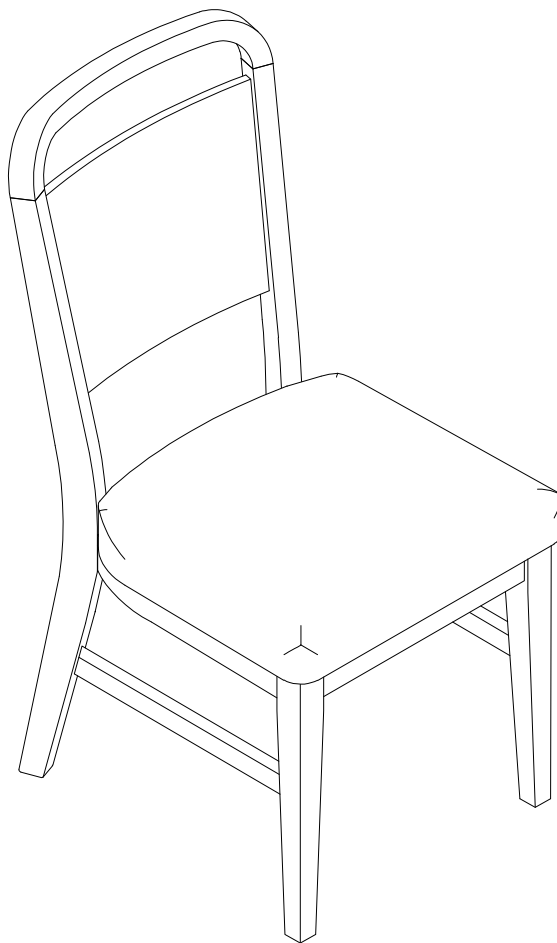


# ASSEMBLY INSTRUCTIONS

---

## TOOLS REQUIRED

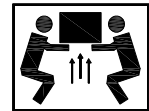


Screwdriver  
(Not Included)



(Included)

Allen Wrench

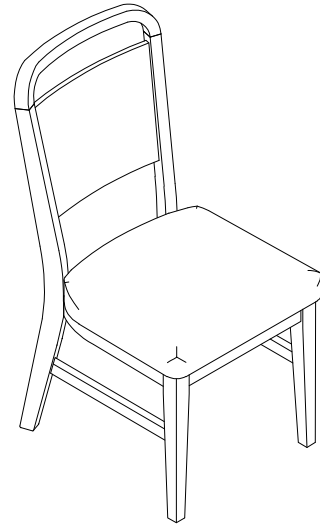


2 - People

Enjoying this product? We'd love your 5-star review!

If you have any issues, our support team is happy to help.

# ASSSEMBLY INSTRUCTIONS



## CHECK BEFORE STARTING

Are you missing anything?

Please double check all hardware and parts match the assembly guide before putting the product together. If damaged, we suggest you put the item back in the box and start your claim or return

Should we send any replacements?

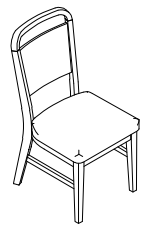
If there are any manufacturer defects or missing pieces please contact us for replacements. If purchased online, please contact the website of where you purchased it from, DIRECTLY

## IMPORTANT INFO BEFORE ASSEMBLY

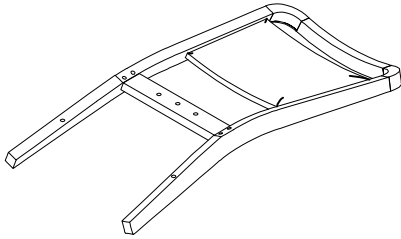
- If there's a problem with the parts do not attempt to assemble the product
- Place all parts on a clean and smooth surface such as a rug/carpet to avoid parts from being scratched
- When tightening screws to product do not overtighten until product is fully setup
- If product is too heavy for a single person to carry do not attempt and ask for assistance
- DO NOT DRAG or PUSH item to desired location. Must be carried when moving
- If item is not working as intended please review the assembly guide to see if any steps were missed or incorrectly built. If there's a problem with part please contact seller for additional assistance
- Please keep all hardware and small parts away from pets/infants
- Please wear gloves or protective gear to protect from getting cuts
- It is normal for new furniture to have an off gassing smell. Please air out furniture near a window for a few hours or a day before placing it in its desired location
- All products may have a slight color and texture variation due to different shipments, natural materials, screen-resolutions, or lighting in home. Images are rendered by different devices or websites

# Dining Chair

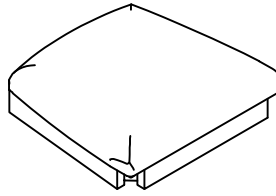
- Please keep instructions for future reference
- Check the quantity and irregularity of parts and hardware before you start
- If assembly guide is misplaced, please visit our website for copy



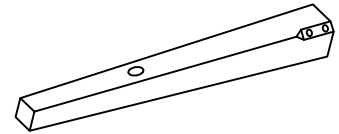
## Part List



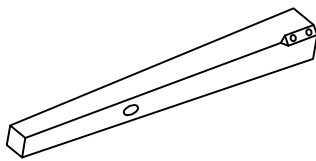
**A Chair Back**  
1 pc



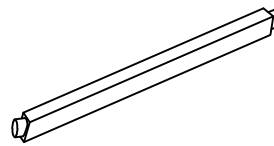
**B Chair Seat**  
1 pc



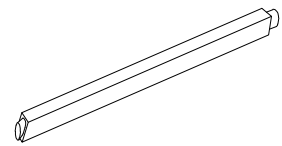
**C Chair Right Leg**  
1 pc



**D Chair Left Leg**  
1 pc



**E Chair Right Stretcher**  
1 pc

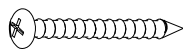


**F Chair Left Stretcher**  
1 pc

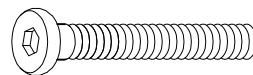
## Hardware List



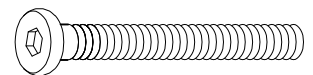
Ø1/4  
Flat Washer (Large)  
10 pcs



M4x38mm  
SCREW  
4 pcs



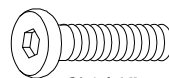
Ø1/4" x 20 x 2-1/2"  
(Chair front leg)  
Head Cap Bolt  
4 pcs



Ø1/4" x 20 x 3-1/8"  
(Chair back leg corner)  
Head Cap Bolt  
4 pcs



Ø1/4  
Spring Washer (Large)  
10 pcs



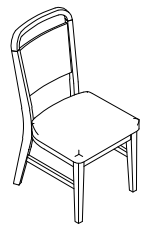
Ø1/4" x 20 x 1-1/2"  
(Chair back center)  
Head Cap Bolt  
2 pcs



Hex Wrench  
1 pc

If any parts/hardware listed are damaged or missing  
Please contact the seller for additional assistance

# ASSEMBLY INSTRUCTIONS



## IMPORTANT

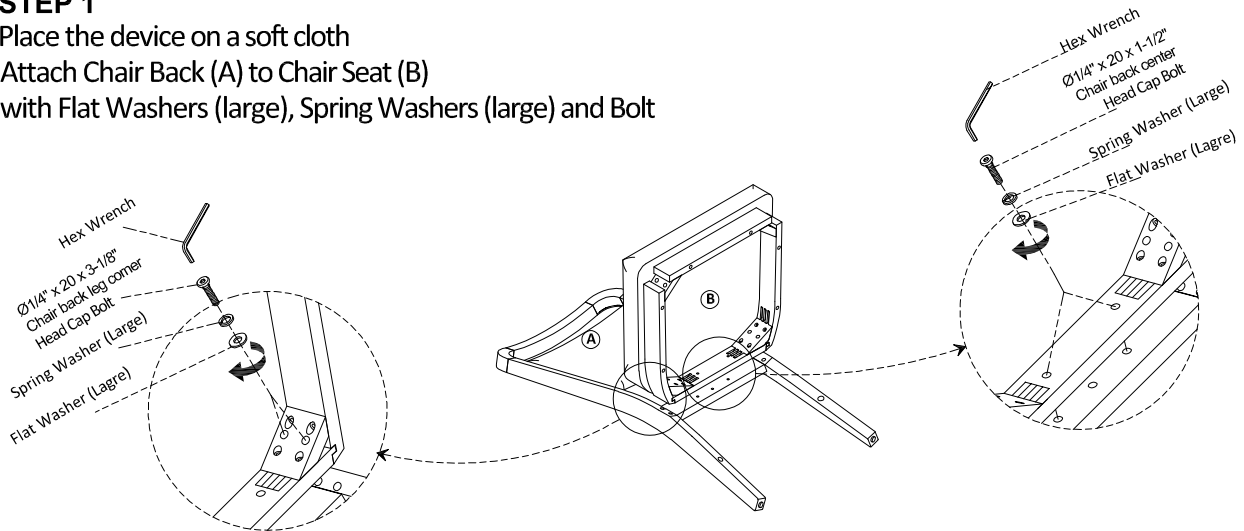
- Please keep Hex Wrench and Key Wench a safe place as you may need to tighten up the Head Cap Bolts in the future.
- Use a soft doth between these parts and the floor.
- After assembly, item must be level to work properly. Use the included adjustable levelers to level.

## STEP 1

Place the device on a soft cloth

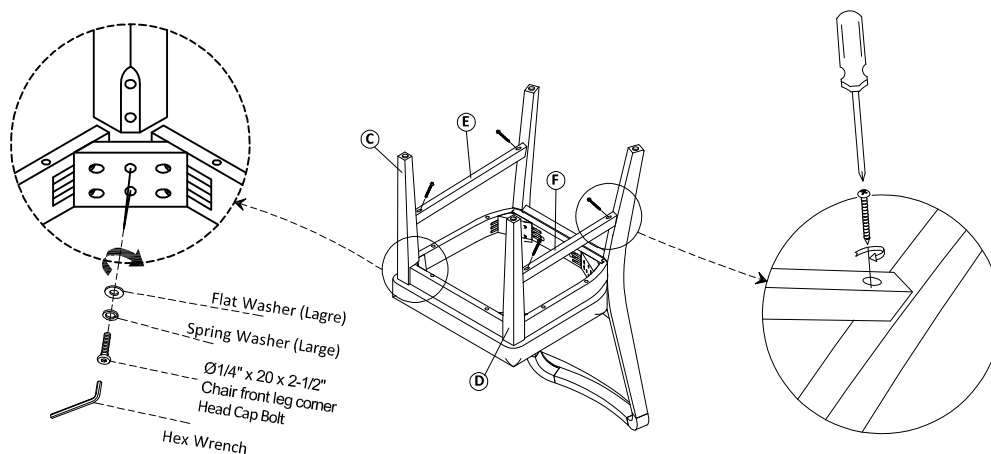
Attach Chair Back (A) to Chair Seat (B)

with Flat Washers (large), Spring Washers (large) and Bolt



## STEP 2

Attach the chair legs (C,D) to Step 1 with the flat washer (large), spring washer (large) and bolts. and also attach the Stretcher to Step 1 with screws. Turn the unit upside down to the upright position.



## ASSEMBLY COMPLETED

Please ensure the furniture rests on an even and flat surface.

- ✓ If the product wobbles or feels loose, double-check all bolts and/or screws are properly tightened and secured.

### ✓ Keep this handy!

Please retain this instruction manual and any order-related information for future reference.

### ✓ Lift, don't drag!

To avoid damage to product please always LIFT the product when transporting or adjusting the placement

This product is intended for RESIDENTIAL USE ONLY and not for commercial use.