

All For A Better Life

USERS' MANUAL

(EN)



Stainless Steel

Sink With Cabinet

PRODUCT DIMENSION

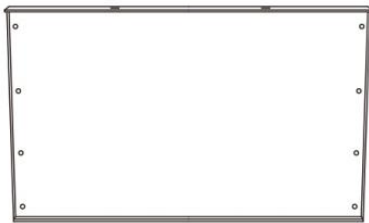
SC198



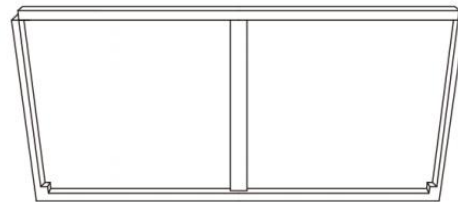
SC199



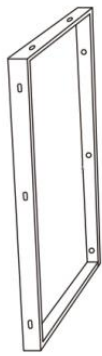
PACKAGE INCLUDES



Ⓐ x 1



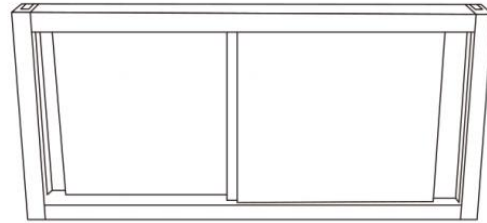
Ⓓ x 1



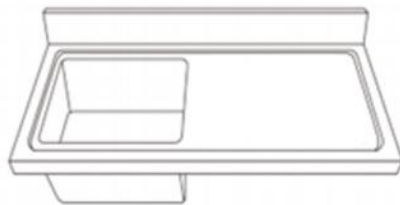
Ⓑ x 1



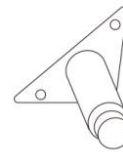
Ⓒ x 1



Ⓕ x 1



Ⓖ x 1



Ⓕ x 4



Ⓙ x 17



Ⓚ x 16

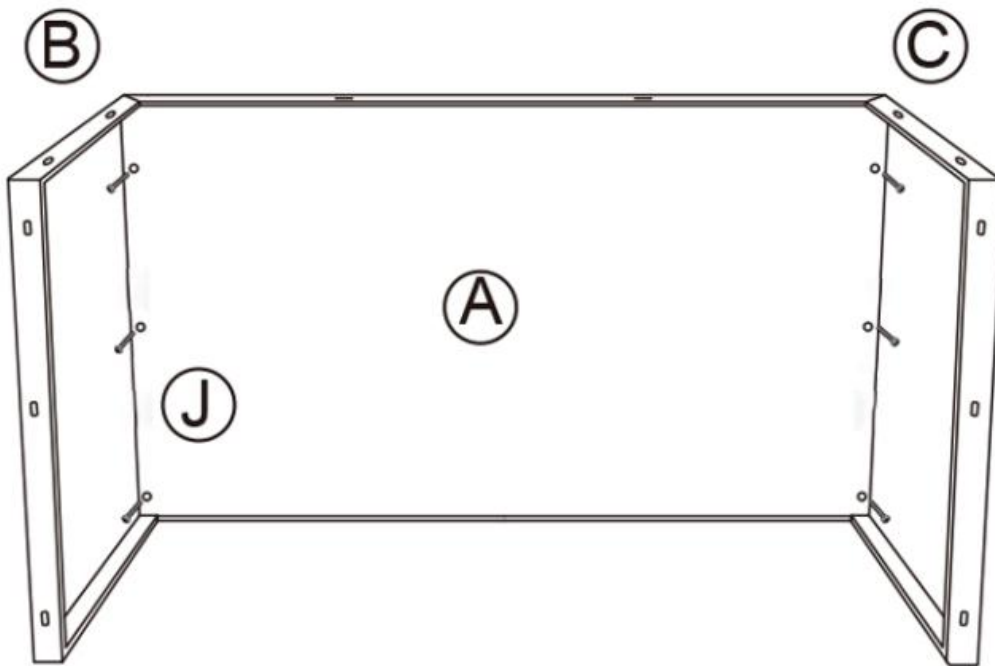


Ⓛ x 1

INSTALLATION INSTRUCTIONS

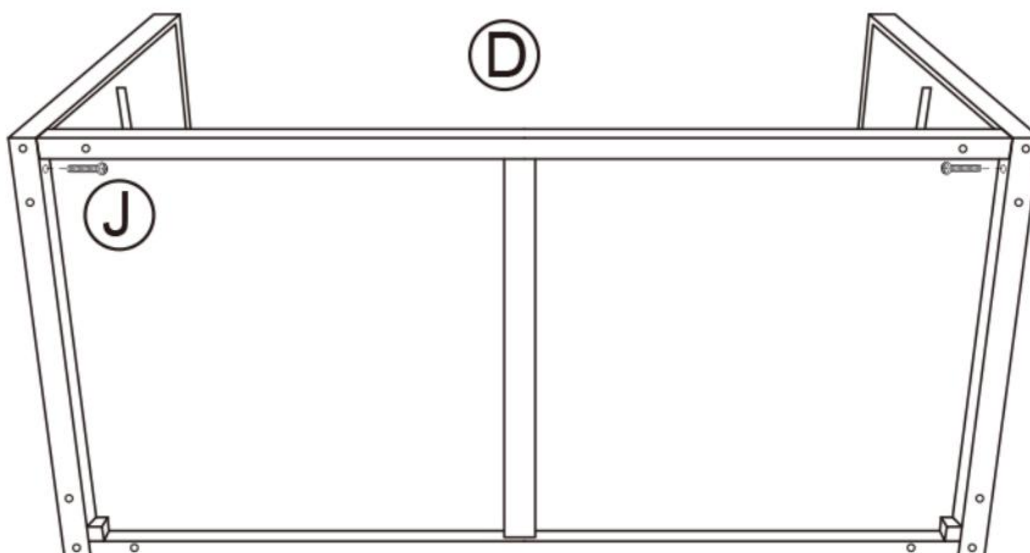
Step 1:

Secure parts B and C to the panel A with screws (J).



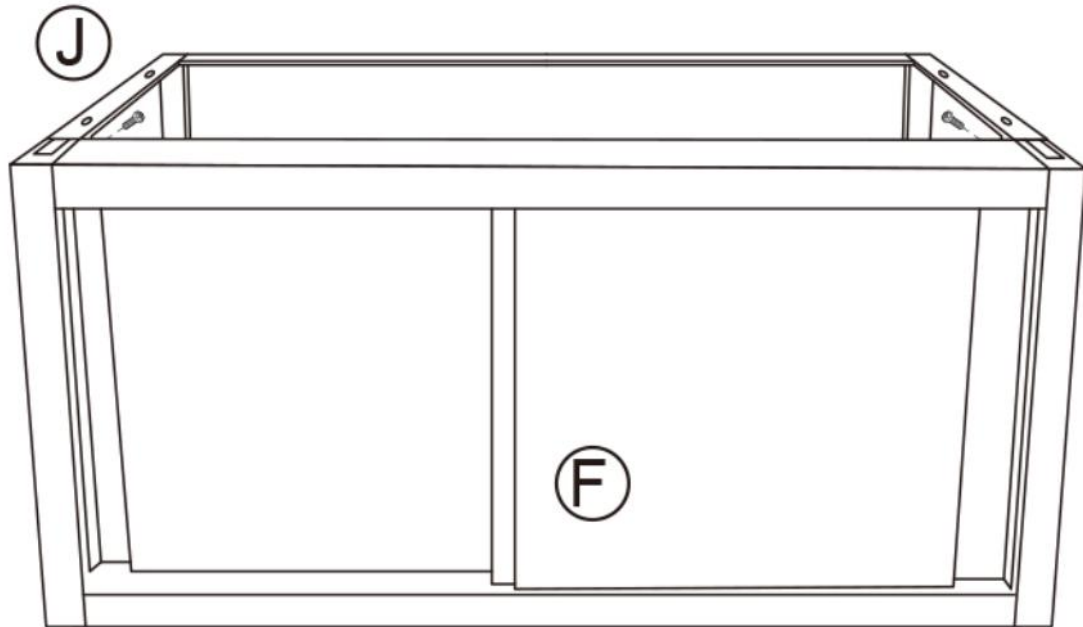
Step 2:

Secure the base plate part D with screw (J).

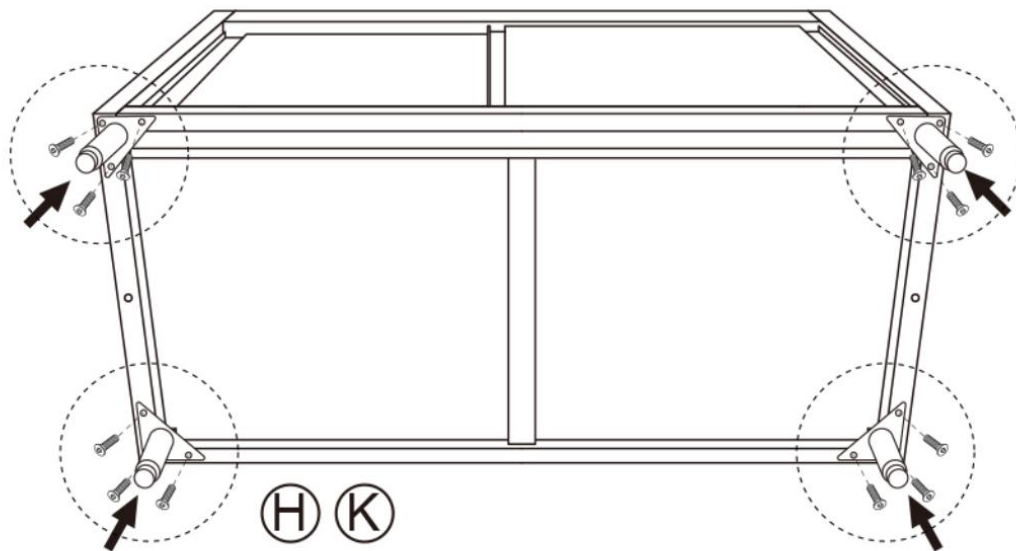


Step 3 : Secure Sink to Countertop.

Put the parts F which are with 2 cabinet door.

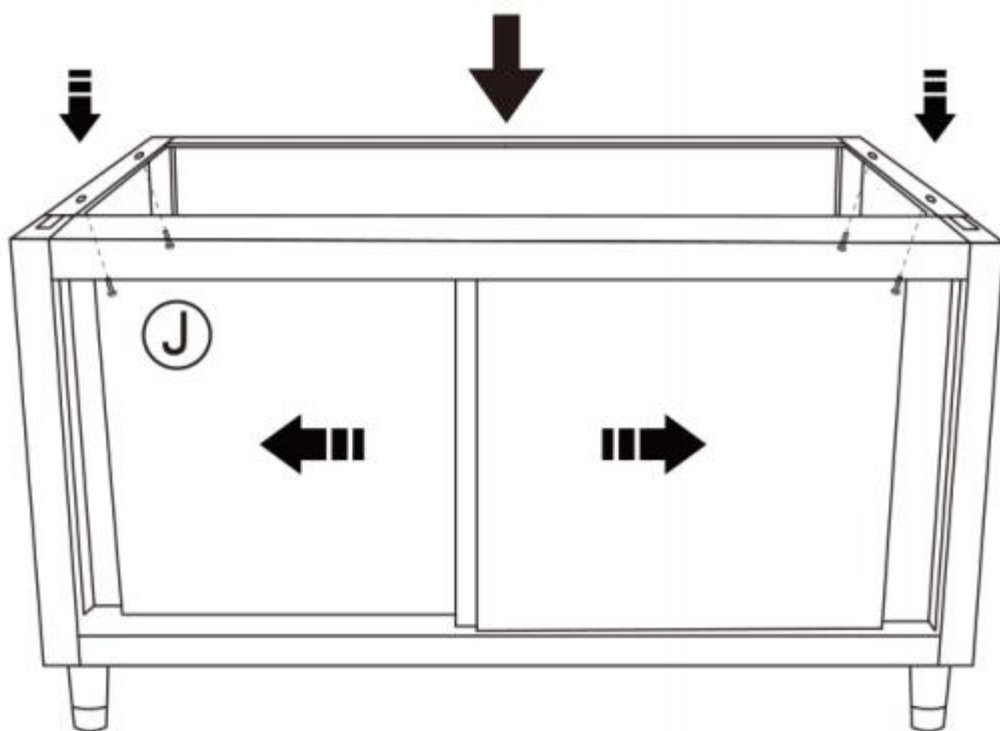
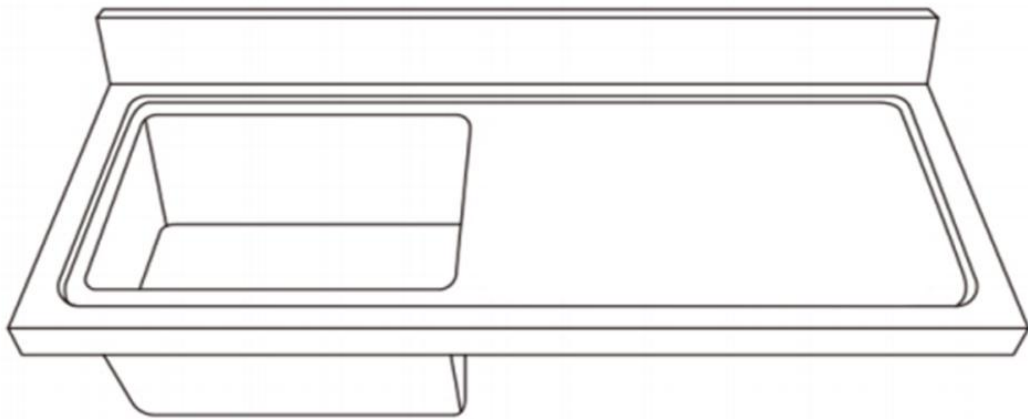


Step 4: Screw four feet with screw K



Step 5: Put the sink bowl on.

Place the sink basin on the cabinet. Secure both sides and the back with screw J.



CLEANING & MAINTENANCE

(a) The cleaning of the sink should start from the basics, and a thin layer of oil can be applied to the inner wall when you first start using it, trying to isolate the surface of the sink from contact with corrosive substances.



(b) The sink should be cleaned frequently, please use a neutral detergent, gently scrub, then rinse with clean water, and use a sponge or rag to dry, avoid using a steel brush or a rough brush to prevent metal particles from adhering to the sink wall, which is easy to produce rust spots over time, or scratch the appearance of the sink.



(c) Sprinkle a little salt on oily areas, then wipe up and down with waste plastic wrap, wipe and rinse with warm water several times, also to make the sink shine like new. The corners and drains around the sink can be wiped with a small brush or toothbrush dipped in soapy water, fine salt, and detergent, which can also achieve the ideal decontamination effect.

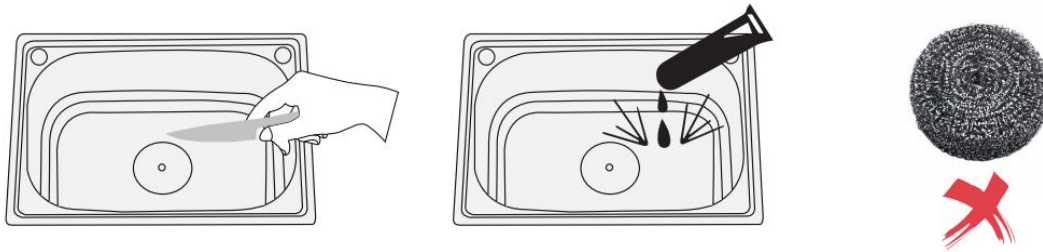


WARNINGS

Do Not

(a) When cleaning the stainless steel sink, don't use a very oxidizing detergent, because it will react with the stainless steel sink

(b) The stainless steel sink should not be cleaned with grinding plates or wire balls, so as to avoid scratches on the surface and affect its surface beauty.



RUST SPOTS

This sink is made of 304 stainless steel. If you see rust spots in your sink, it's due to external rust or iron particle contaminants. These rust particles attach to the sink surface, forming rust stains. Clean the rust stains with powder cleanser or sink cleaner and a dish scrubbing sponge. Scrub in the direction of the grain. Use toothbrush for corners and edges. Rinse thoroughly with water.

WARRANTY

offers a 12-month warranty to all of our products together with the original proof of purchase when a defect occurred, including those newly purchased and unused, from or through an authorized reseller, wholly or substantially, or as a result of faulty manufacturing parts, or workmanship during the Warranty Period. The warranty does not apply if damage is caused by other factors, including but without limitation of:

- (a) Normal wear and tear;
- (b) Abuse, mishandling, accident, or failure to follow operating instructions;
- (d) Servicing or modifications of the product other than

These are our general terms for warranty service, but we always urge our customers to reach out to us with any issue, regardless of warranty terms. If you have an issue with a LAFATI product

Congratulations on your successful registration. The product warranty has been extended!
Enjoy more effective customer support from now on.

First Name *

First Name

Last Name *

Last Name

Email *

Email

Phone

+93 70 123 4567

Purchase ID *

Purchase ID

Purchase From *

Amazon

Your Message

Your Message

Submit