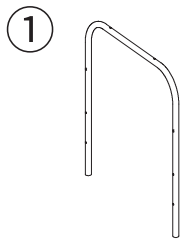
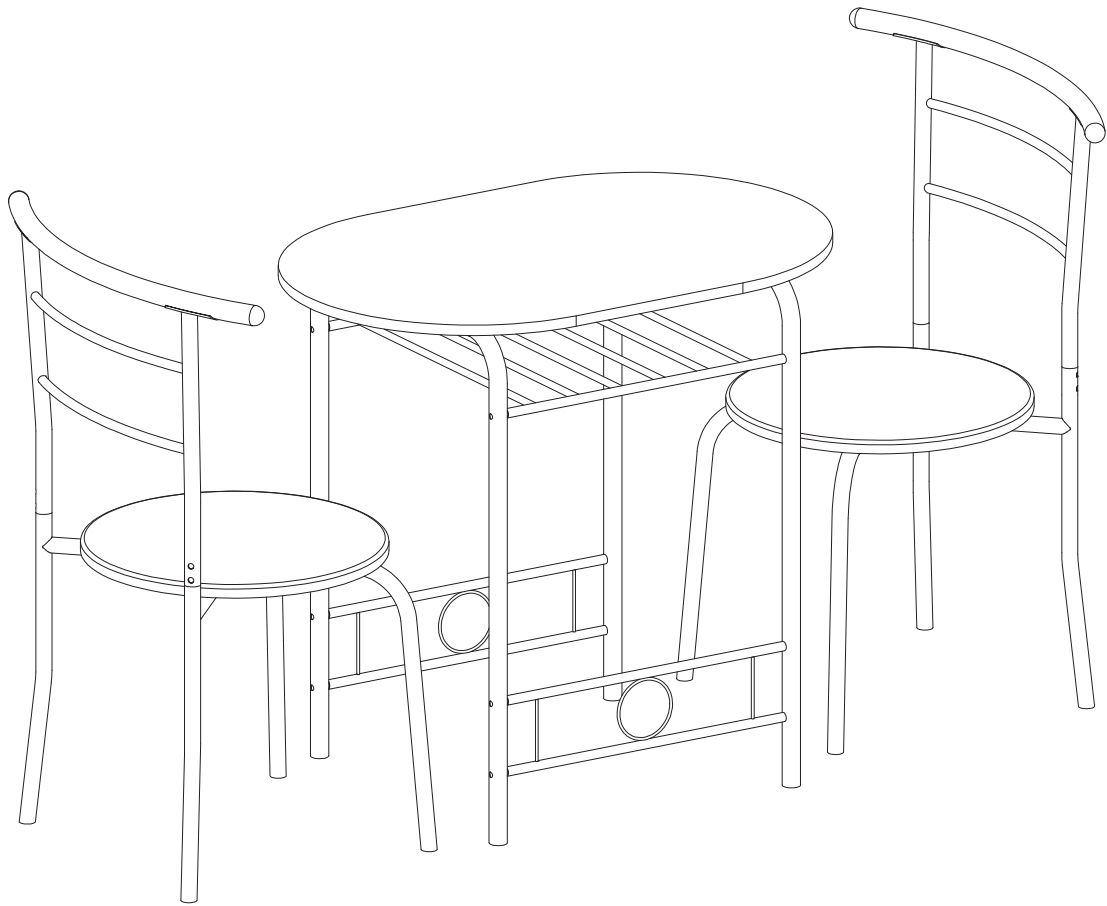
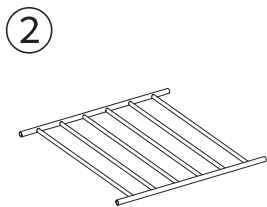


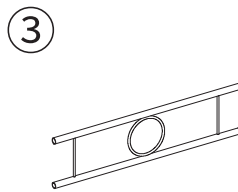
ASSEMBLY INSTRUCTION



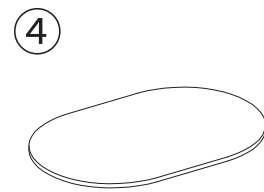
2 PCS



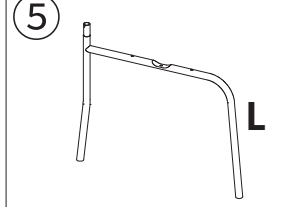
1 PC



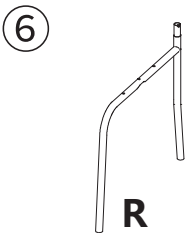
2 PCS



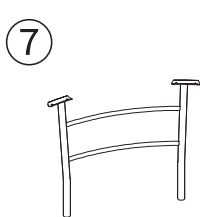
1 PC



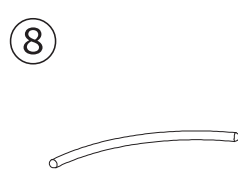
2 PCS



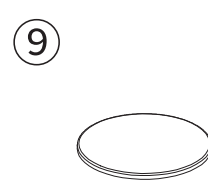
2 PCS



2 PCS



2 PCS



2 PCS

Ⓐ x 26



M6* 30mm

Ⓑ x 16



M6*12mm

Ⓒ x 8



This gasket is used when
the back screw of the
chair is too long

Ⓓ x 2



M6

Ⓔ x 1



S10

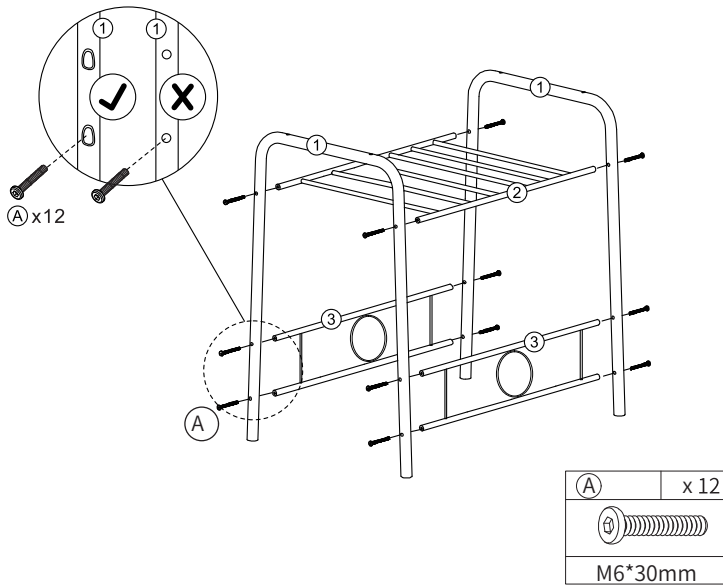
Ⓕ x 1



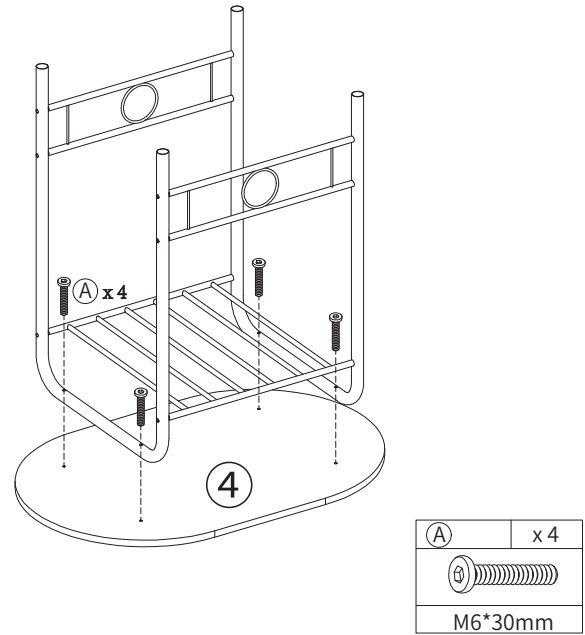
S4

ASSEMBLY INSTRUCTION

STEP 1

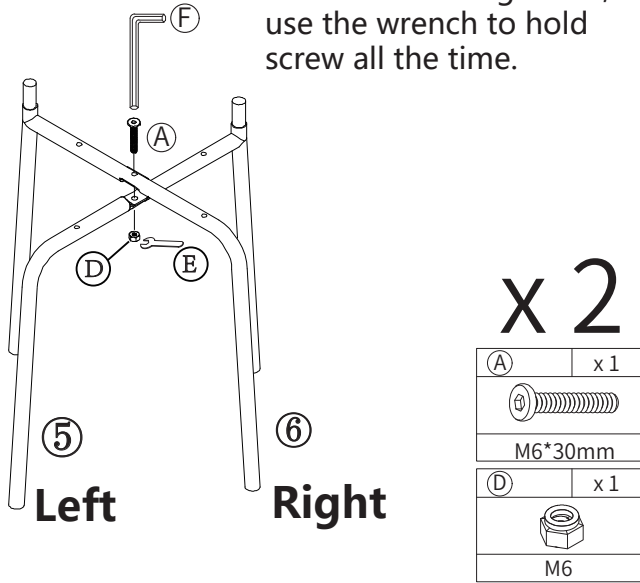


STEP 2

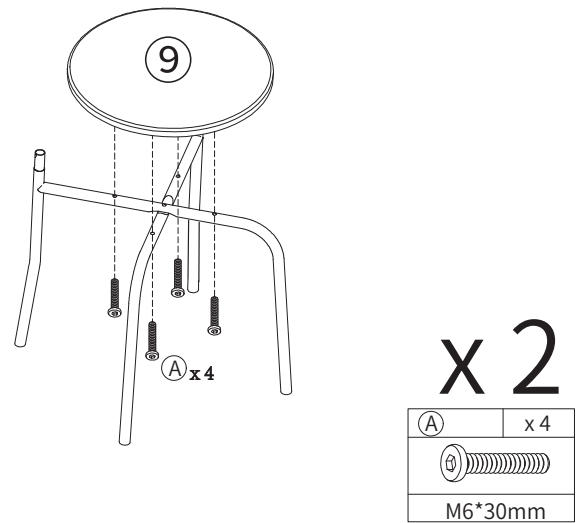


STEP 3

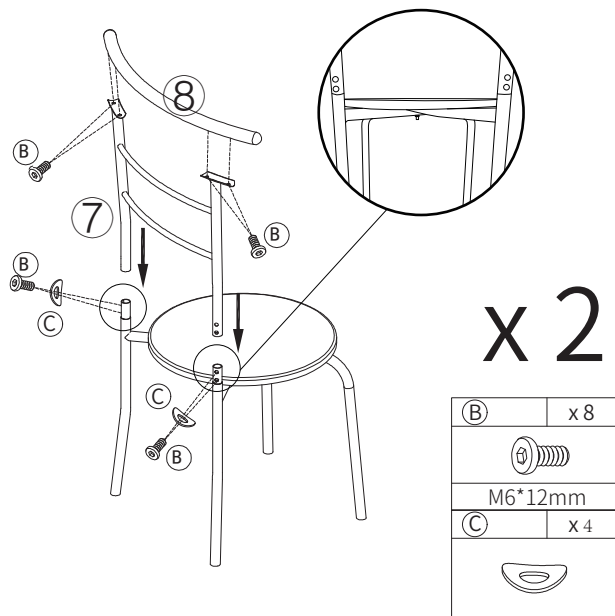
When assembling screw, use the wrench to hold screw all the time.



STEP 4



STEP 5



STEP 6

