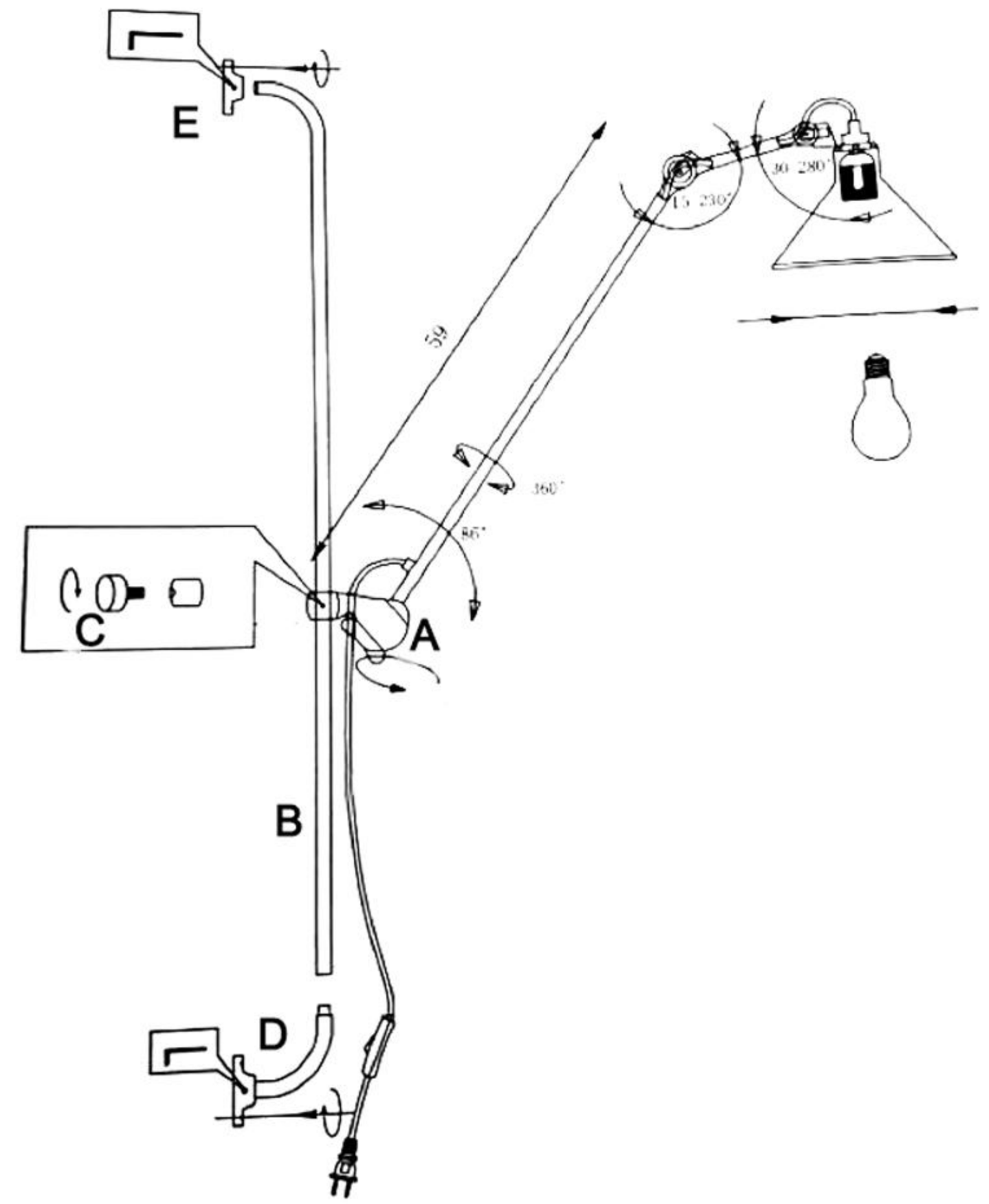


Assembly Instruction Sheet for Model HL494518

Package Contents

Part	Description	Quantity
A	Fixture Body	1 pc.
B	Bracket	1 pc.
C	Knob	1 pc.
D	Curved Rod	1 pc.
E	Backplate	2 pcs.



STEP 1

Thread the Fixture Body(A) to the Bracket(B) and fix the Fixture Body(A) to the Bracket(B) with Knob(C). Insert the Curved Rod(D) into the straight end of Bracket(B). Fix the Bracket(B) to Backplate(E) with nut.

STEP 2

Put the fixture close to wall.
Mark the drilling position on wall with the help of the Backplate(E).
Drill holes on wall, and attach the Backplates(E) to wall with screws by hex key.

STEP 3

Install your bulb to the bulb base.
Plug in the power cord.

Your fixture is now assembled and ready to use.