

15 : 00

estimated assembly



2 or more

people required

Ok, let's
get started!



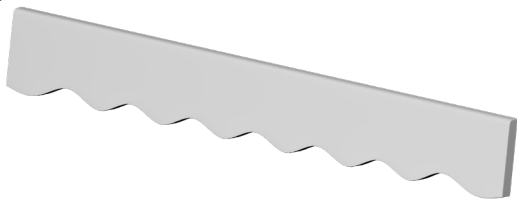
- Put on mood music!
- To prevent damage to product, use the clean side of package carton or rug as working surface.
- In the event of missing or damaged parts, delivery problems etc., please reach out to our team. We will be happy to fix the problem!

care guide

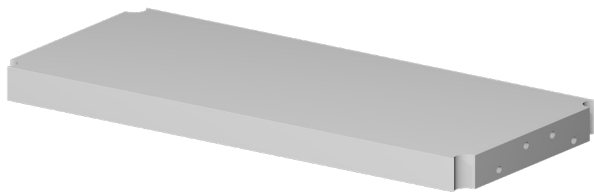
- Clean regularly with a soft and dry cloth.
- To protect finish, avoid use of abrasive cleaners.
- Wipe up spills immediately. Please!



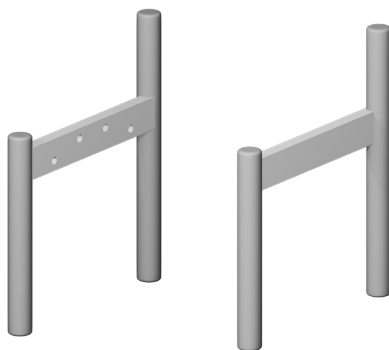
product parts



(A)
Bench Back
x1



(B)
Bench Seat
x1

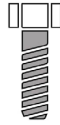


(C)
Table legs
x2

what's included



(D)- L key Bolt
(8 X 30mm)
x8



(E)- L key Bolt
(6 X 50mm)
x4



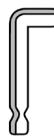
(F)- Lock Washer
(8 X 16mm)
x8



(G)- Plain Washer
(8 X 20mm)
x8



(H)- Allen Key
(5mm)
x1



(I)- Allen Key
(4mm)
x1

assembly instructions

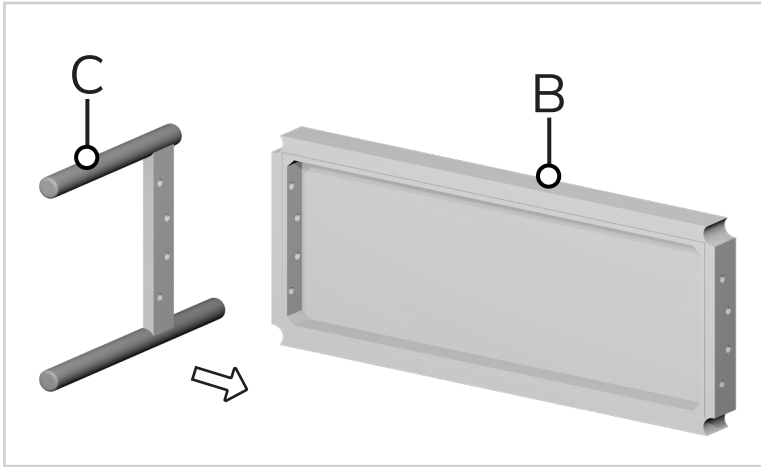
Friendly Tip: Take a deep breath going in. This may be a tricky part, but nothing too overwhelming. Just follow these steps to the T and the outcome will be worth it!



- ⓘ While assembling the product, tighten the bolts up to 50%. Once all parts are in place, only then fully tighten the bolts.

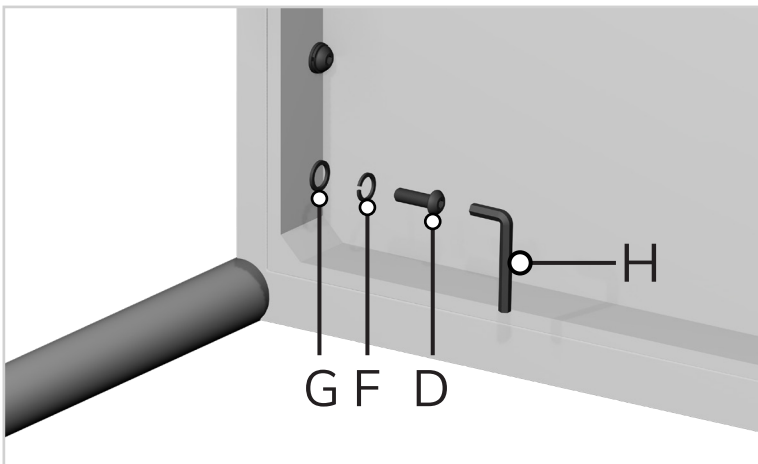
step 1:

Place the bench seat (B) and one leg (C) on their sides and align them as shown below. Use a rug or clean surface to avoid scratches.



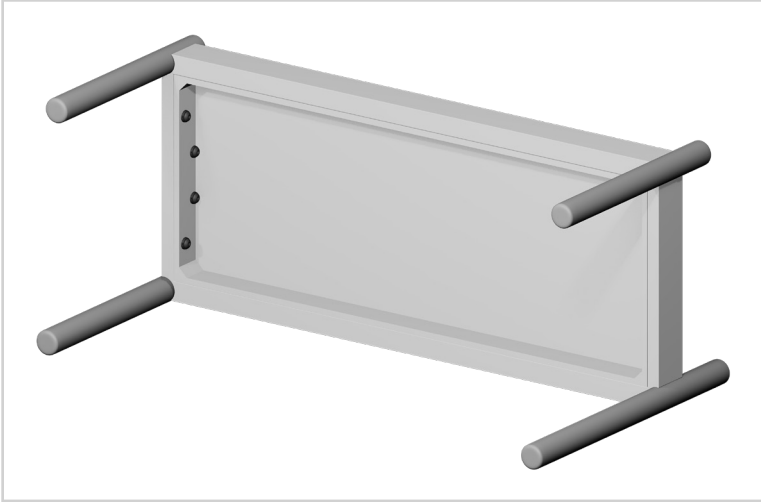
step 2:

To fix the seat and leg together, insert the plain washers (G), lock washers (F), and bolts (D) in the order shown, and tighten them with the allen key (H).



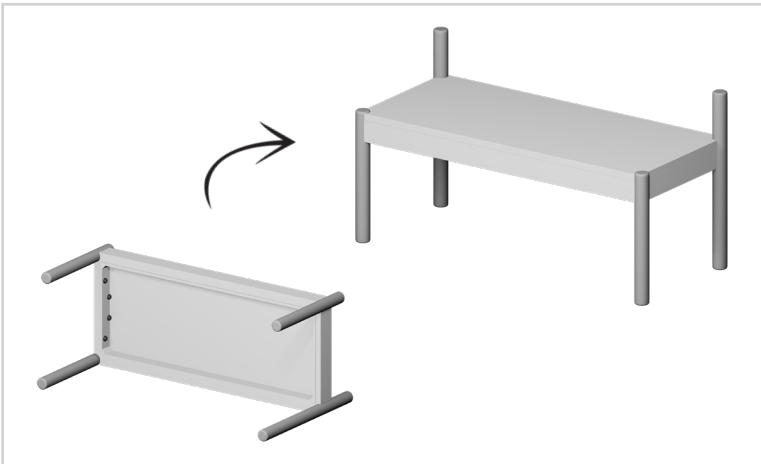
step 3:

In the same way, attach the other leg (C) by following step 2.



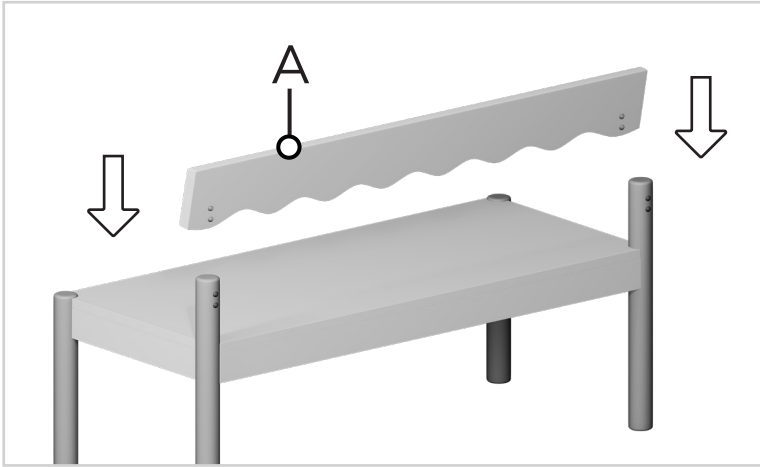
step 4:

Now, turn the assembled bench upright so you can continue with the next steps.



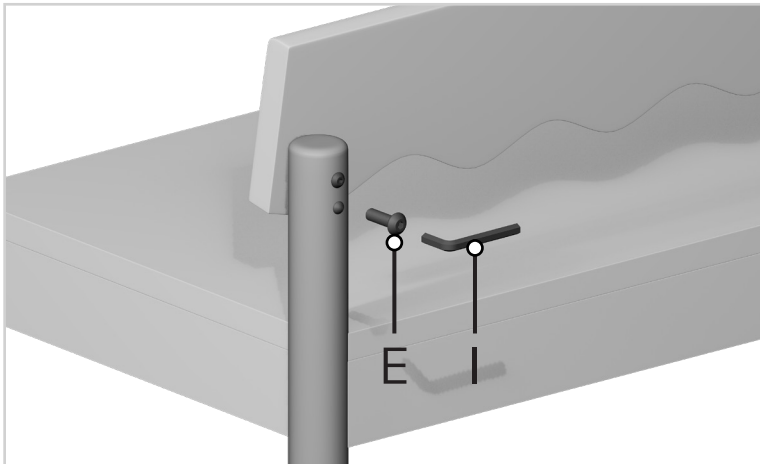
step 5:

To fix the bench back (A) to the legs, line them up as shown in the picture.



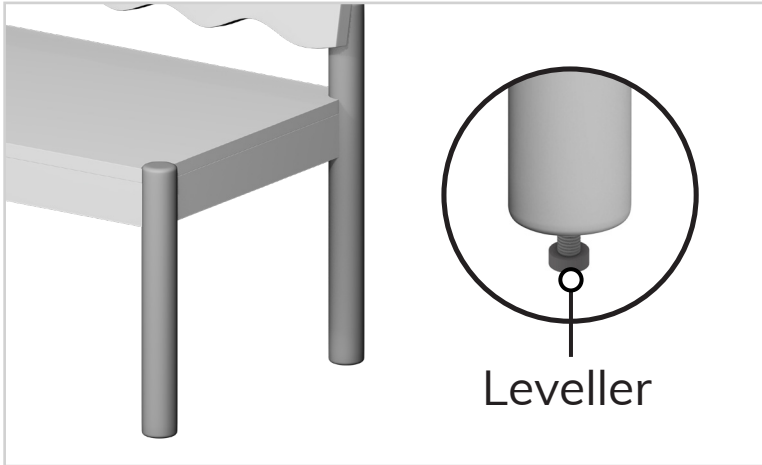
step 6:

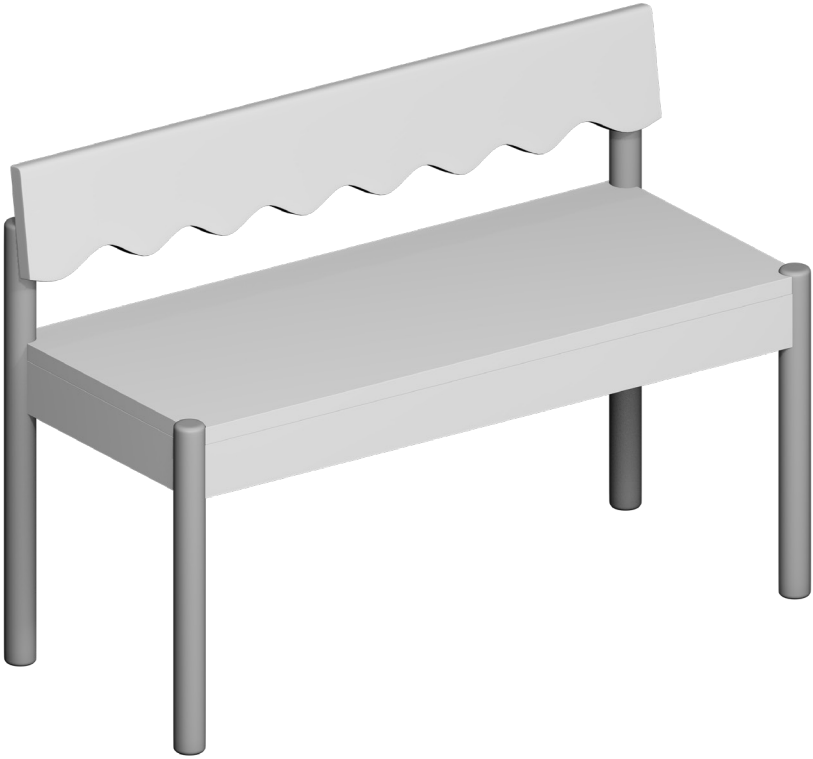
Insert the bolts (E) into the holes and then use the allen key (I) to tighten them securely.



step 7:

If required adjust the levellers according to the floor as shown in the image.





Voila! Your bench is now assembled and secure!

you've
got
a home
with us

