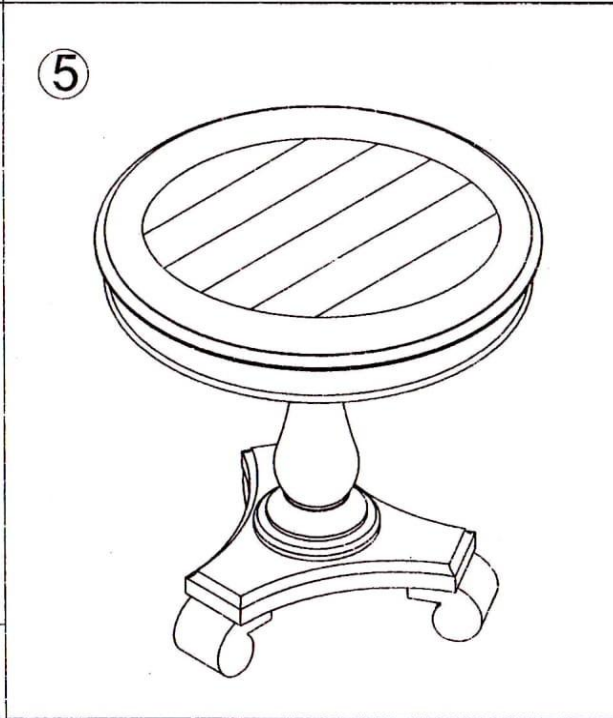
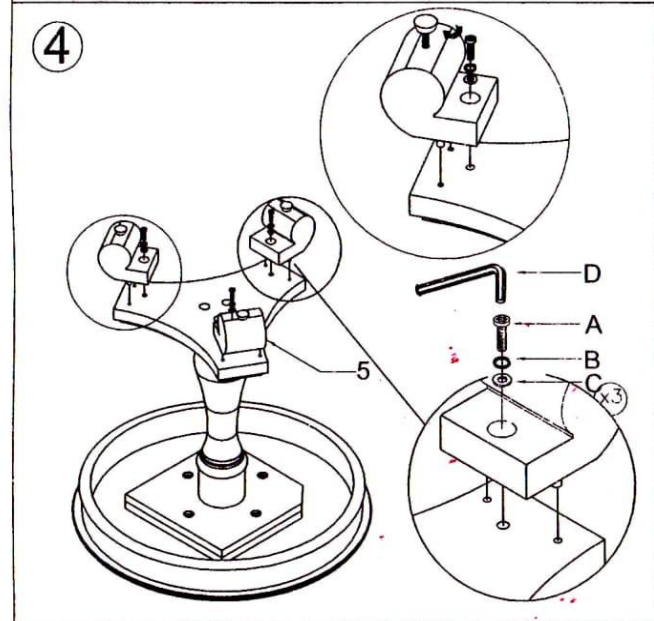
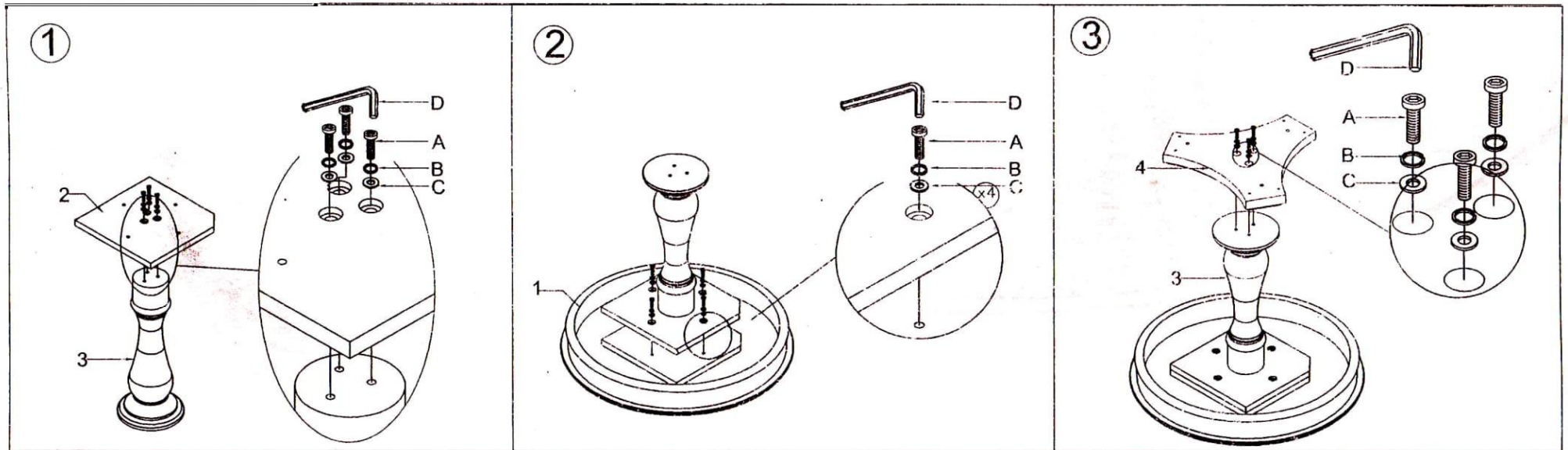


EndTable ASSEMBLY INSTRUCTION



NO.	SKETCH	DESCRIPTION	Q'TY
A		BOLT Ø5/16" X 1-3/8"	13 PCS
B		Lock Washer Ø5/16"	13 PCS
C		Flat Washer Ø5/16"	13 PCS
D		Allen Wrench Ø5mm	1 PC
1		Top Panel	1 PC
2		Panel connection plate	1 PC
3		The following columns	1 PC
4		Below the floor	1 PC
5		Foot pad	3 PCS

MADE IN CHINA