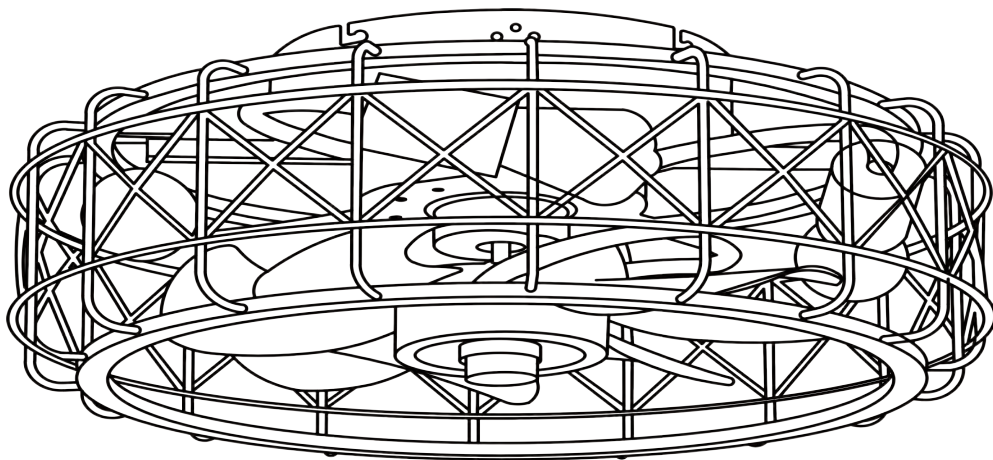


USE AND CARE GUIDE



Ceiling Fan With Lights

— ● **CEILING FAN** ● —

This manual provides clear instructions to facilitate the assembly, installation, operation, and maintenance of your ceiling fan.

Tools Needed for Assembly (Not Included)

- a. One screwdriver
- b. One stepladder

WARNING:
For safe and proper installation, we recommend having the fixture installed by a qualified and experienced professional.

Materials

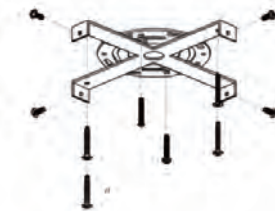
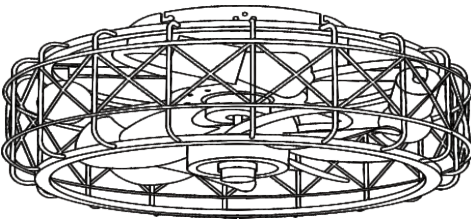

Wiring outlet box and box connectors must be of type required by the local code. The minimum wire would be 3-conductor (2 wire with ground) of the following size:

<u>Installed Wire Length</u>	<u>Wire Size A.W.G</u>
Up to 50ft	14
50-100ft	12

NOTE: Please read all safety instructions before installing your ceiling fan and keep this document for future reference.

Packing List

Check to see that you have received the following parts:

Ceiling Canopy	
Ceiling Fan Light	
Remote Control Remote Holder	

Energy Efficient Use of Ceiling Fans

Ceiling fan performance and energy savings rely heavily on the proper installation and use of the ceiling fan. Here are a few tips to ensure efficient product performance.

Choosing the Appropriate Mounting Location

Ceiling fans should be installed, or mounted, in the middle of the room and at least 10 feet from floor to the blade and 18 inches from wall to the blade.

Using the Ceiling Fan Year Round

Summer Season: Use the ceiling fan in the clockwise direction. The airflow produced by the ceiling fan creates a wind-chill effect, making you feel cooler. Select a fan speed that provides a comfortable breeze, lower speeds consume less energy.

Winter Season: Reverse the motor and operate the ceiling fan at low speed in the counterclockwise direction. This produces a gentle updraft, which forces warm air near the ceiling down into the occupied space. Remember to adjust your thermostat when using your ceiling fan-additional energy and dollar savings could be realized with this simple step!

Electrical and Structural Requirements

Your new ceiling fan will require a grounded electrical supply line of 120 volts AC, 60 HZ, 15 Amp Circuit. Electrical code requires use of a fan-rated outlet box to support the extra weight and motion associated with a ceiling fan. A fan-rated box will be labeled as such and typically supports up to a 50lbs ceiling fan. Fan-Rated Outlet Boxes vary in ratings and design. Ensure the ratings of your ceiling fan outlet box meet the requirements for the ceiling fan being installed. Figure 1, Figure 2 and Figure 3 depicts different structural configurations that may be used for mounting the outlet box.

Low-profile use (Figure 1)

A 1 2-in.-deep pancake box is meant to be screwed to a joist or block. It's used if only one cable is coming into the box. It is also available in a saddle-mount configuration.

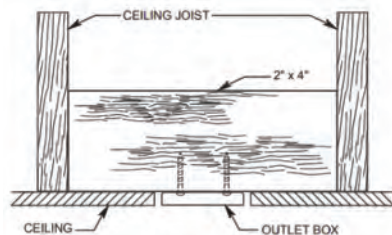


Figure 1

Deep-profile use(Figure 2)

A 2-1-in.-deep box can be attached to blocking between joists and is roomy enough to handle more than one cable.

WARNING: To reduce the risk of fire, electrical shock, or personal injury, mount fan to outlet box marked acceptable for fan support of 22.7 kg (50 lbs) or less. Use screws supplied with outlet box. Most outlet boxes commonly used for support of light fixtures are not acceptable for fan support and may need to be replaced. Consult a qualified electrician if in doubt.

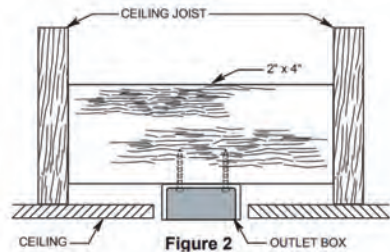


Figure 2

Brace use (Figure 3)

Paired with a deep box, this hanger is meant to span between two joists and takes the place of wooden blocking.

If your fan is to replace an existing light fixture, turn electricity off at the main fuse box at this time and remove the existing light fixture.

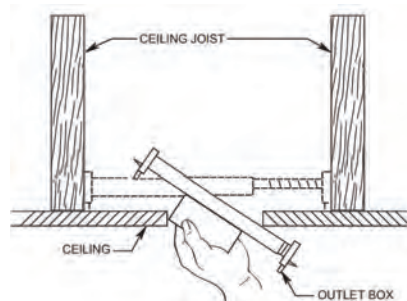


Figure 3

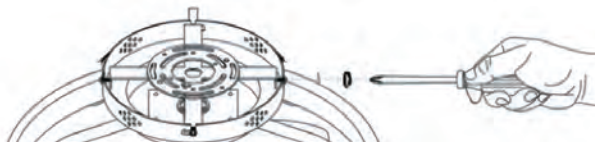
WARNING: Turning off wall switch is not sufficient. To avoid possible electrical shock, be sure electricity is turned off at the main fuse box before wiring. All wiring must be in accordance with National and Local codes and the ceiling fan must be properly grounded as a precaution against possible electrical shock.

WARNING: Do not operate this fan with a variable (Rheostat) wall controller or dimmer switch. Doing so could result in damage to the ceiling fan's remote control unit.

WARNING: To avoid fire or shock, follow all wiring instructions carefully. Any electrical work not described in these instructions should be done or approved by a licensed electrician.

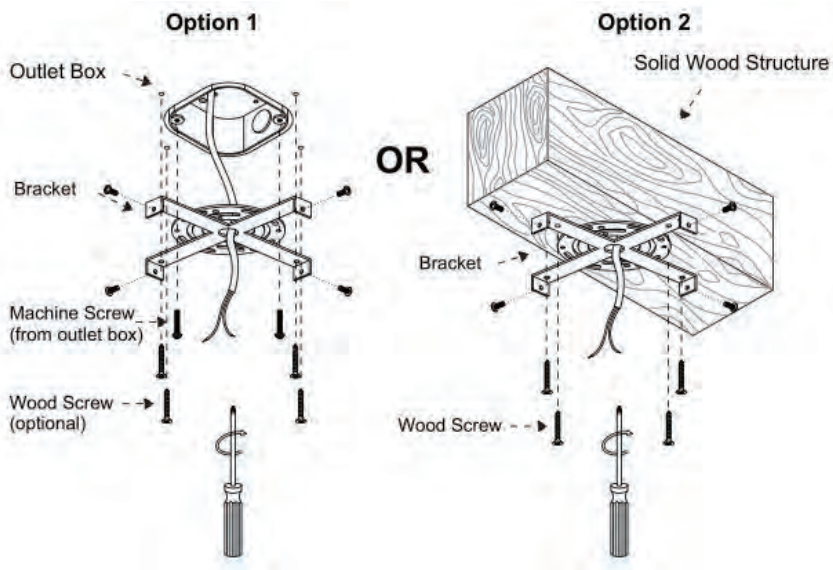
How to Hang Your Ceiling Fan

Loosen the 4 screws from the "L-shaped" holes on each side of the canopy.

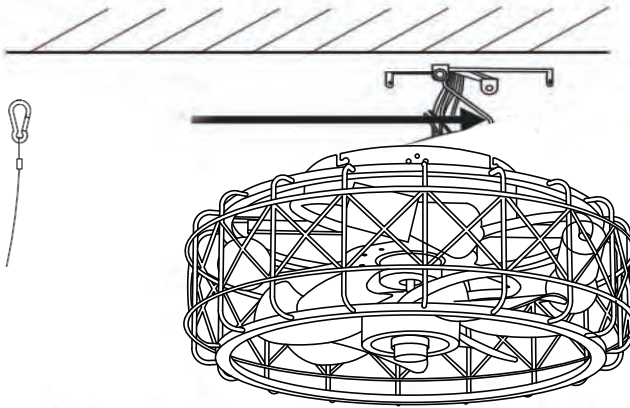


With Outlet Box: Fix the bracket onto the outlet box with screws from the outlet box, fix the cross bar of the bracket onto to the ceiling with 4 wood screws (optional).

Without Outlet Box: Fix the cross bar onto the solid wood structure with 4 wood screws.

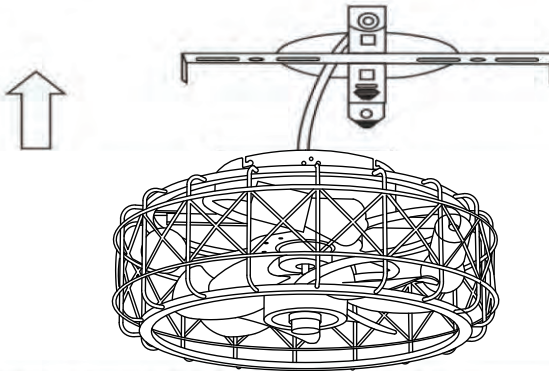


Hang the fixture onto the bracket with "S" hook provided.

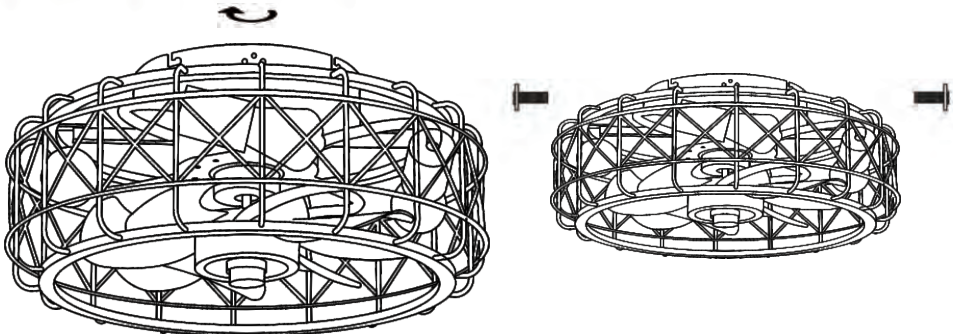


Connect wires from the fixture to the wires from outlet box with wire nuts, ground wire (green, green/yellow or bare copper) to ground wire, neutral wire (white or blue) to the neutral wire, hot wire (black or brown) to the hot wire. Wrap the connection with electrical tape.

Take away the S Hook.

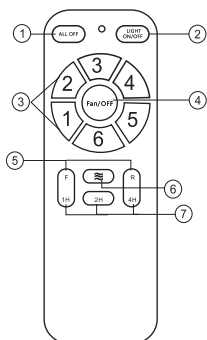


1. Fix the bracket screws onto the bracket but not tighten them.
2. Align the "L" slots from the canopy to the screws on the bracket, rotate the canopy to lock it onto the bracket. Tighten the screws.



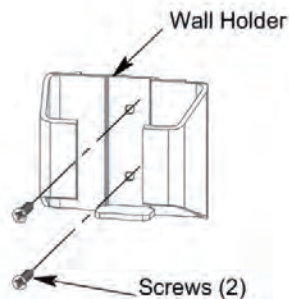
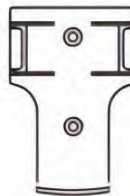
Remote Control Instructions

Remote Control



- ① Turn off the fan and the light.
- ② Turn on/off the light.
- ③ Turn on the fan and adjust the fan speed.
- ④ Turn off the fan.
- ⑤ Short press to switch the fan to Forward or Reverse.
- ⑥ Activate the Natural wind MODE.
- ⑦ Set up the Timer for the fan.

Remote Holder



Contact Information

For any installation difficulties or other questions, please feel free to contact our customer service team for support.