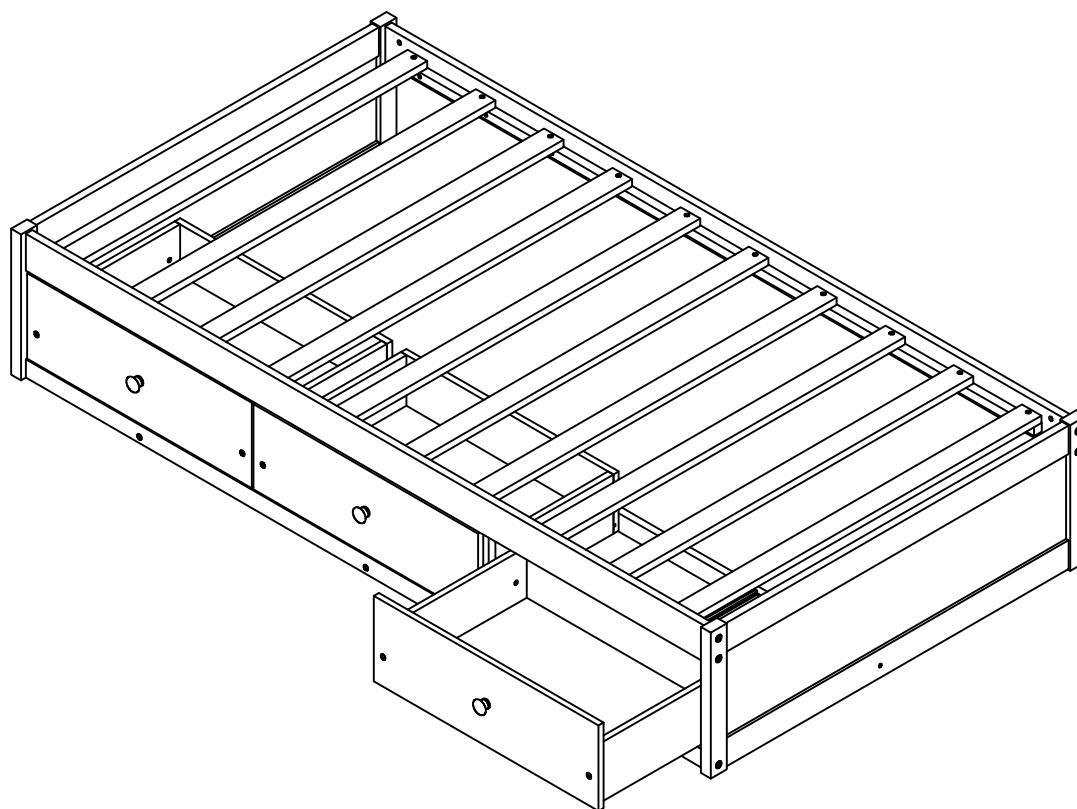
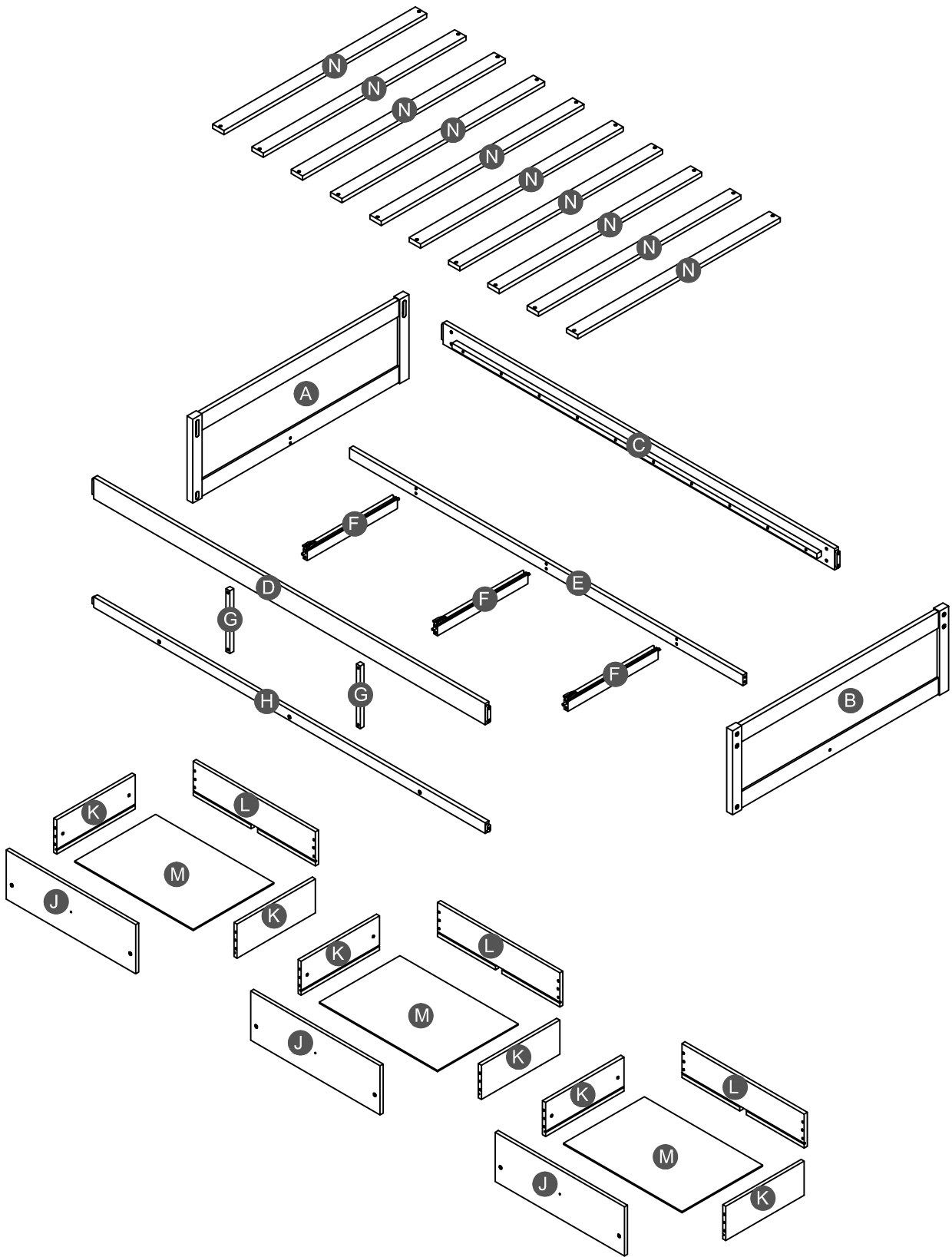


ASSEMBLY INSTRUCTIONS

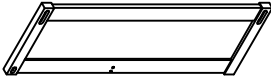
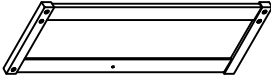
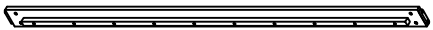
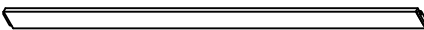
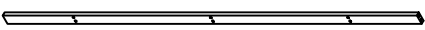
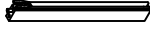
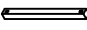

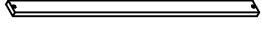
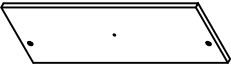
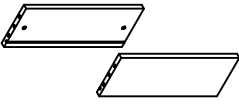


BED WITH 3 DRAWER



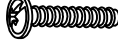
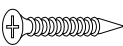

Detail View



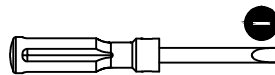
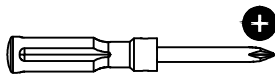
Part List

<p>A</p>  <p>Headboard - 1pc</p>	<p>B</p>  <p>Footboard - 1pc</p>	<p>C</p>  <p>Side Rail (Back) - 1pc</p>
<p>D</p>  <p>Side Rail (Front) - 1pc</p>	<p>E</p>  <p>Support Rail - 1pc</p>	<p>F</p>  <p>Support Drawer - 3pcs</p>
<p>G</p>  <p>Support - 2pcs</p>	<p>H</p>  <p>Drawer Side Rail - 1pc</p>	<p>N</p>  <p>Slats - 10pcs</p>
<p>J</p>  <p>Drawer Front - 3pcs</p>	<p>K</p>  <p>Drawer Left/Right - 6pcs</p>	<p>L</p>  <p>Drawer Back - 3pcs</p>
<p>M</p>  <p>Drawer Bottom - 3pcs</p>		

Hardware List

1  Ø8*30mm Wood dowel (26pcs)	2  (Ø15)1/4"*70mm Hex-Head bolts (10pcs)	3  1/4"*15 (9.5mm) Horizontal-Hole bolts(30pcs)
4  (Ø12)1/4"*60mm Hex-Head bolts (20pcs)	5  Ø38*31mm Pine Knob (3pcs)	6  3/16"*25mm Ph zinc(Knob) (3pcs)
7  Ø4*30mm Wood screws (20pcs)	8  400*30mm Drawer slide (3pcs)	9  Ø4*15mm Wood screws (9pcs)
10  (Ø12)1/4"*30mm Hex-Head bolts (4pcs)	11  (1/4")4.5*58mm Allen key (1pc)	



OPTIONAL TOOLS FOR ASSEMBLY (NOT INCLUDED)

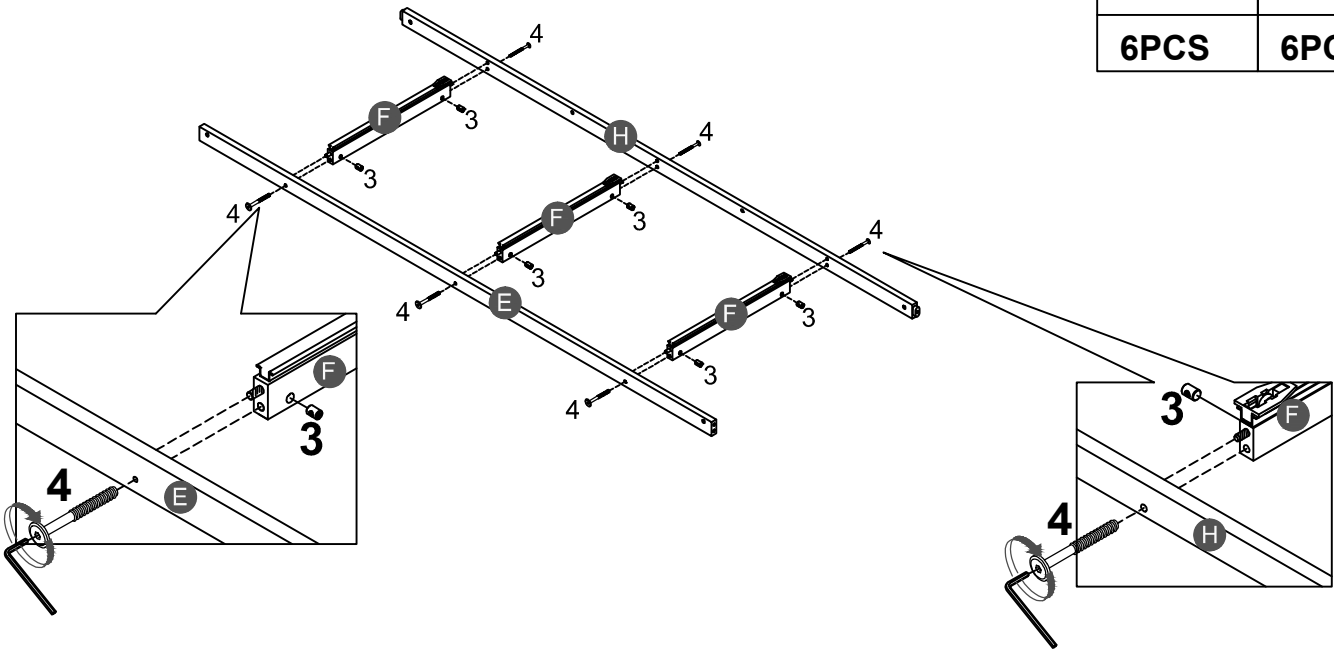


Electric
Screwdriver





PLEASE BE CAREFUL DO NOT DAMAGE THE HOLE POSITION WHEN YOU USE POWER TOOLS !

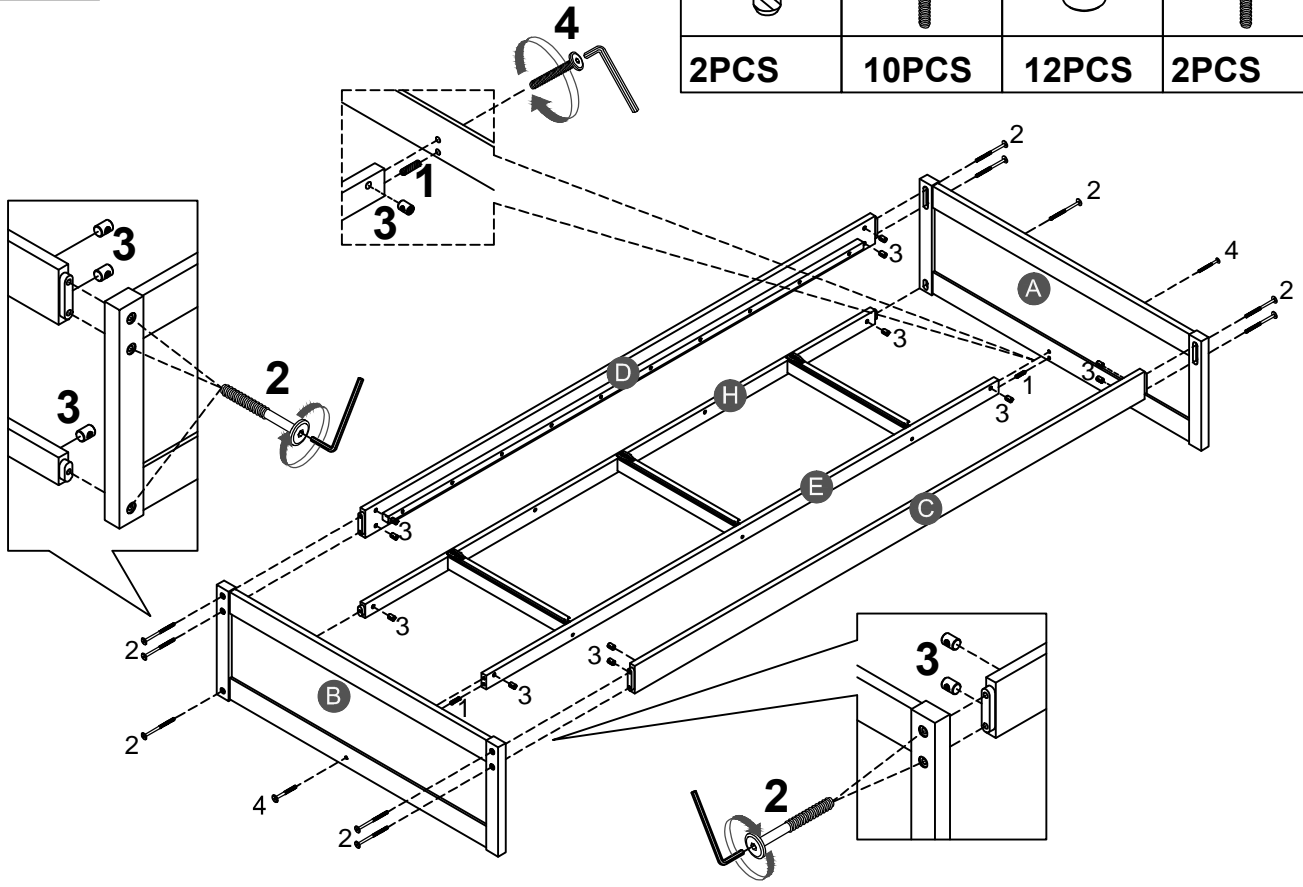
STEP 1:

3	4
	
6PCS	6PCS



STEP 2:

1	2	3	4
			
2PCS	10PCS	12PCS	2PCS

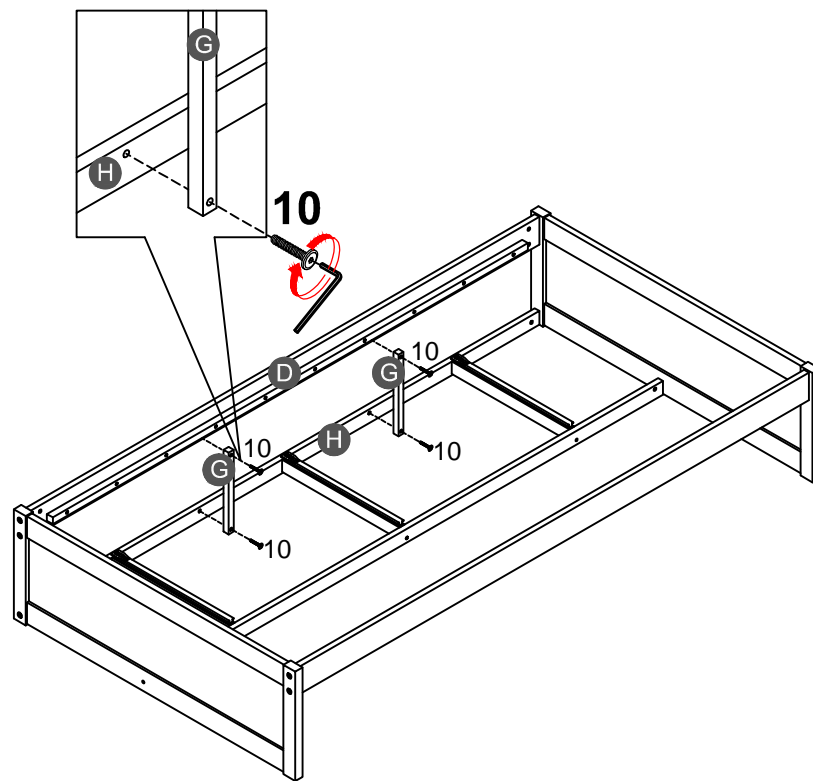


STEP 3:

10



4PCS

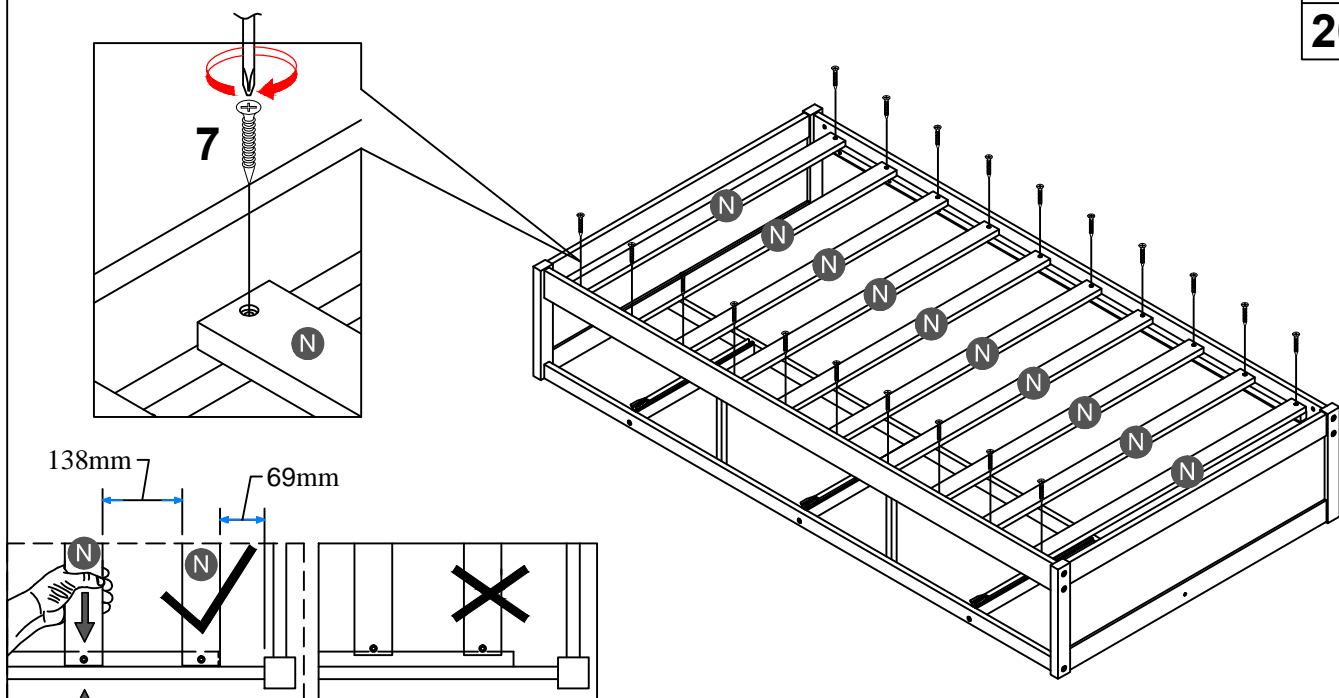


STEP 4:

7

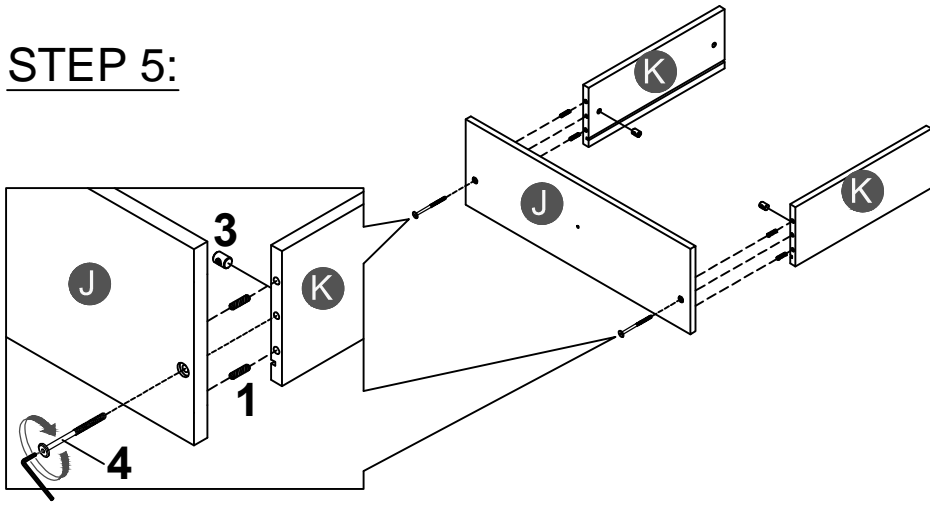


20PCS



NOTE: Please make sure the bed slats close to the side rail before locking the screws to avoid breakage. This step is required for both the left and right sides. Moreover, please do not lock the screws of the bed slats at the outermost edge to avoid damaging.

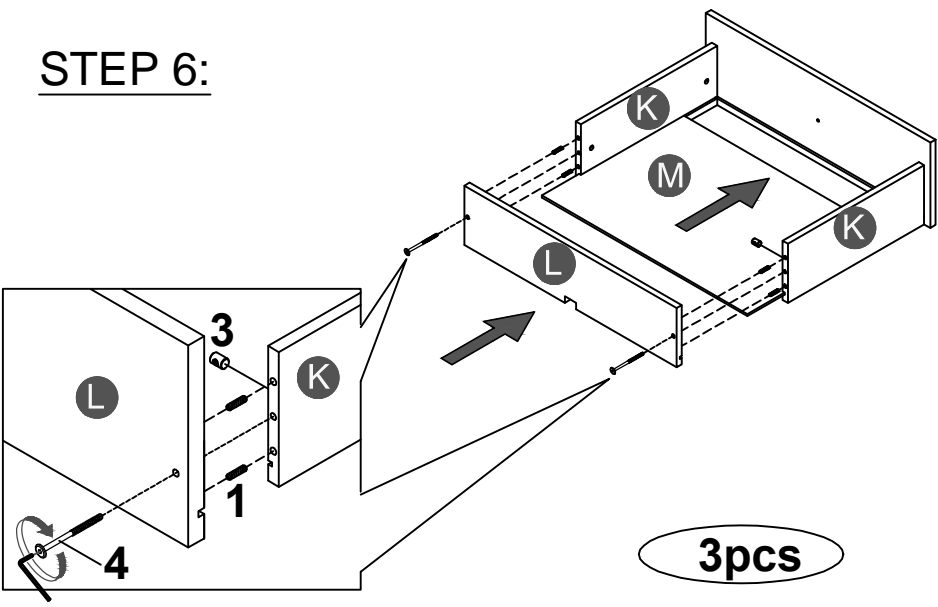
STEP 5:



1		3	
12PCS		6PCS	
4			
		6PCS	

3pcs

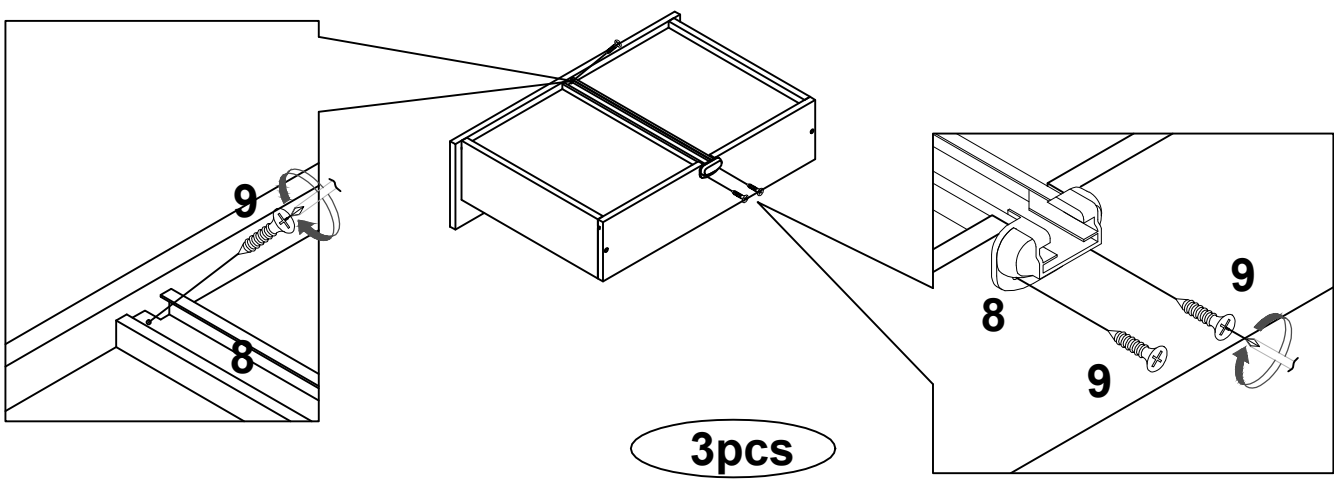
STEP 6:



1		3	
12PCS		6PCS	
4			
		6PCS	

3pcs

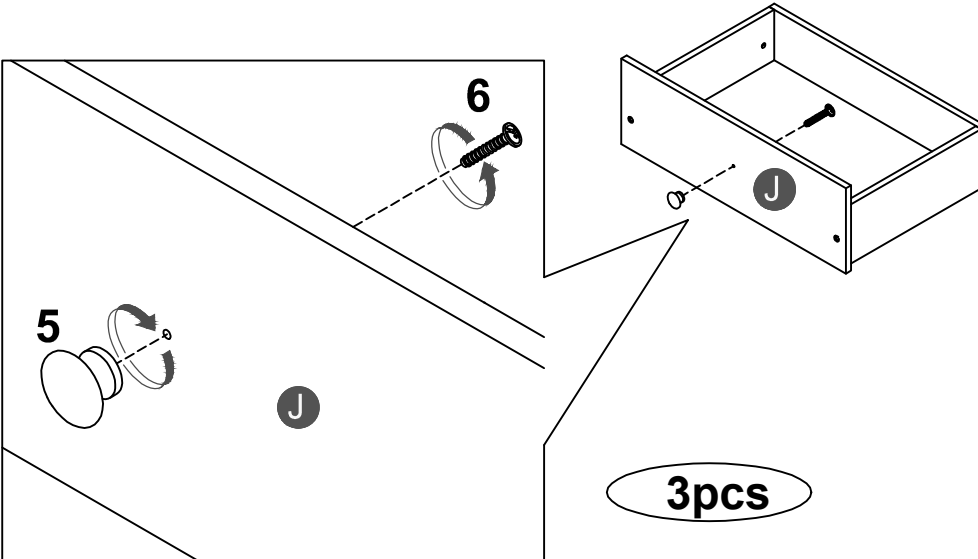
STEP 7:



8		9	
3PCS		9PCS	

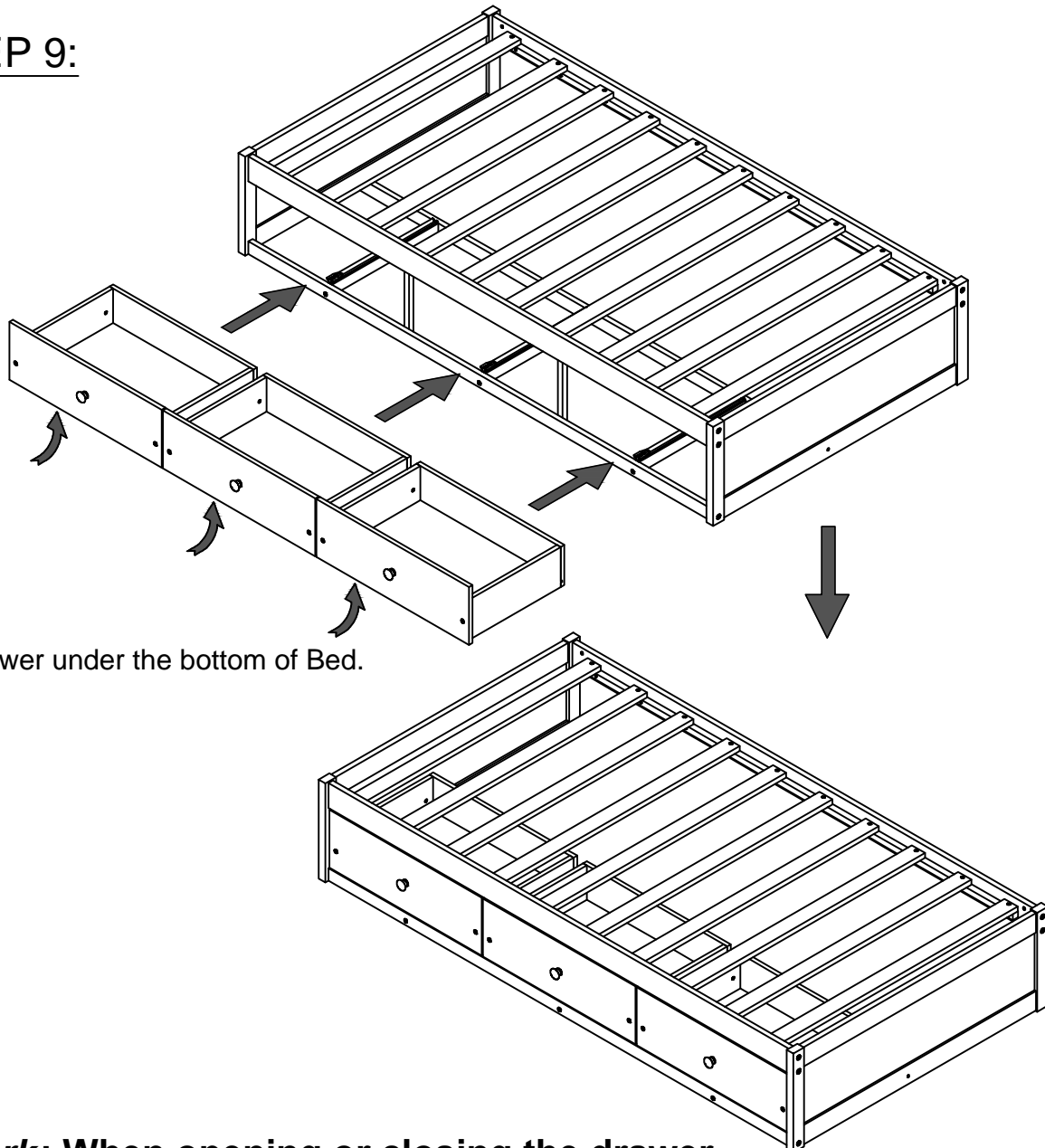
3pcs

STEP 8:



5	6
3PCS	3PCS

STEP 9:



Push Drawer under the bottom of Bed.

Remark: When opening or closing the drawer, Please lift the drawer slightly before opening or closing it.