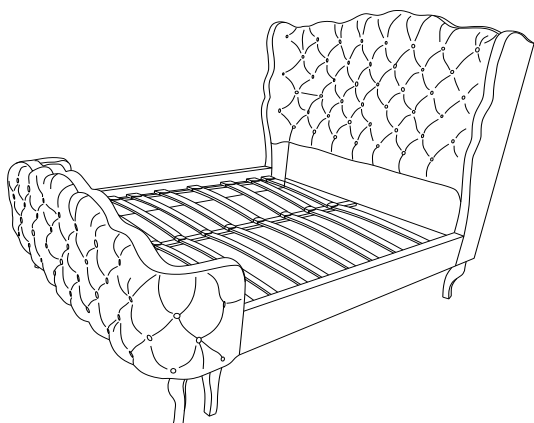


## QUEEN BED

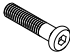
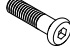
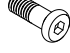



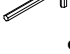
Thank you for purchasing the **QUEEN BED!**

Before you start, here are some helpful advice:

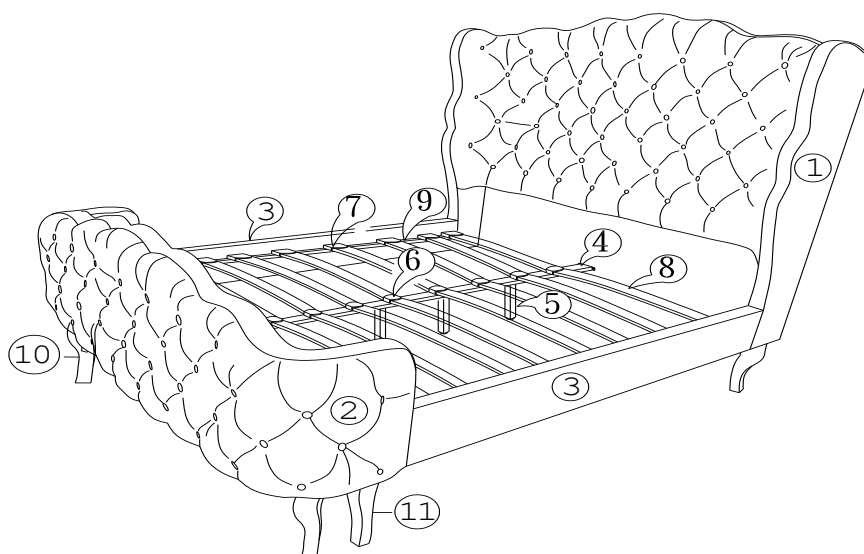
1. We suggest you spend a short time reading through this leaflet and then follow the simple step-by-step instructions.
2. Owing to the size and weight of the bed, we recommend that it is assembled by two adults, on a carpeted or padded area, in the room that it is intended for. Approximate assembly time: 30 minutes.
3. Please do not use any tools other than those provided or recommended in these instructions.
4. Please do not throw away any of the packaging or the instruction until you have checked all the components and hardware and the furniture is fully assembled. Please ensure that the packaging is disposed of in a safe and environmentally friendly way.
5. Assemble all components loosely until advised to tighten. Depending on use, it may be necessary to tighten the components from time to time, so please save the tools that have been provided.
6. Please keep all fitting out of reach of children.



### Hardware:

A.		Bolt M8x50mm	x10
B.		Bolt M8x25mm	x28
C.		Bolt M8x20mm	x10
D.		Flat Washer	x48
E.		Lock Washer	x48
F.		Screw 25mm	x32
G.		Allen Wrench	x1
H.		Screw Driver	x1(Not Included)

### Components:

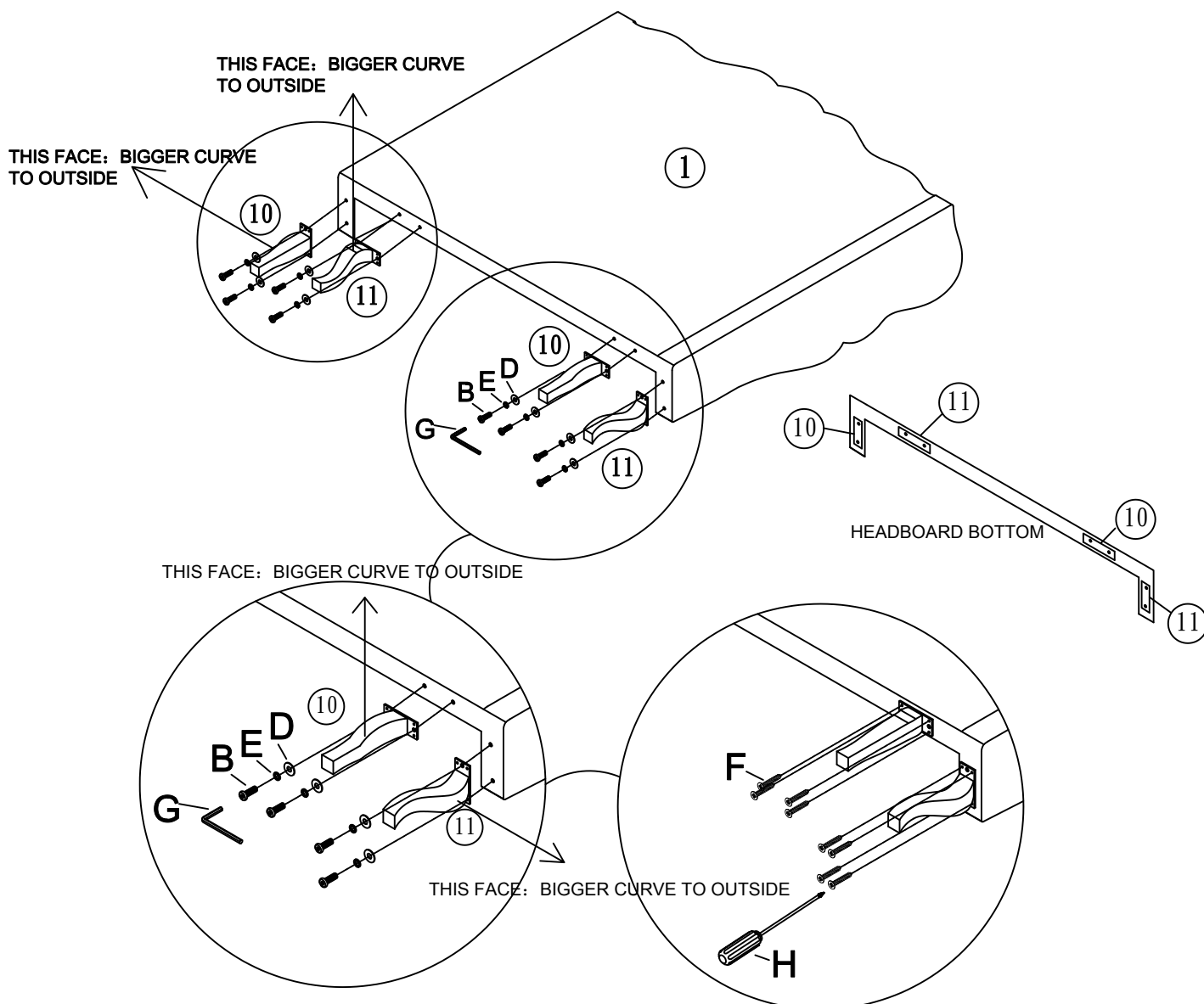


- |                         |     |                       |     |             |     |                 |    |                       |    |
|-------------------------|-----|-----------------------|-----|-------------|-----|-----------------|----|-----------------------|----|
| 1. Headboard            | x1  | 2. Footboard          | x1  | 3. Bed Rail | x2  | 4. Center Rail  | x1 | 5. Center Support Leg | x3 |
| 6. Center Plastic Cover | x13 | 7. Side Plastic Cover | x26 | 8. Slat     | x26 | 9. Slat Support | x2 |                       |    |
| 10. No.10 Leg           | x4  | 11. No. 11 Leg        | x4  |             |     |                 |    |                       |    |

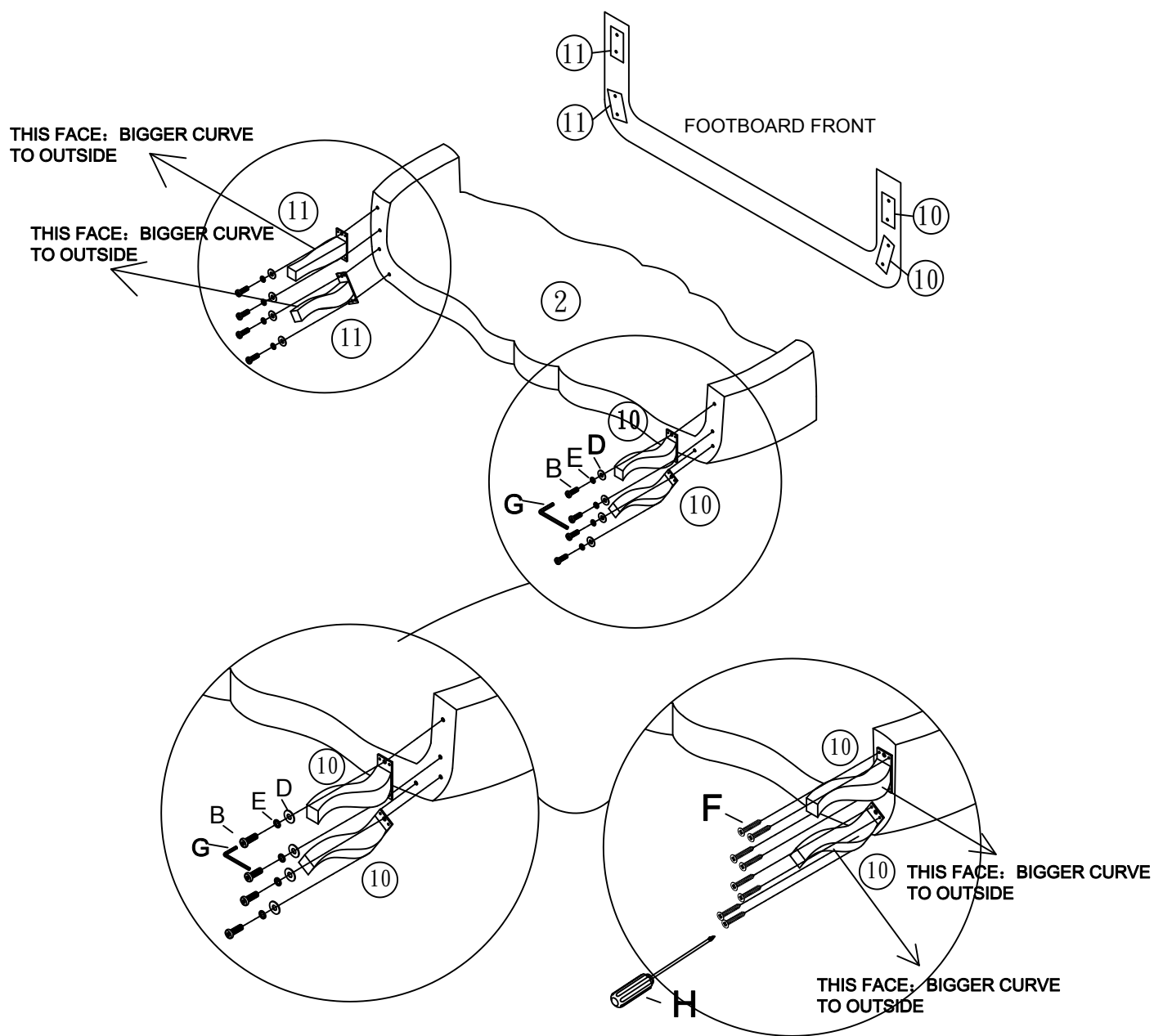
# QUEEN BED





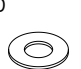

## STEP 1:

1. Turn **Headboard (1)** and **Footboard (2)** flat on the carpeted or padded area. Please take out 4 pieces of **No. 10 Legs (10)** and 4 pieces of **No.11 Legs (11)** from the carton, then follow the figure below to match the right Leg to the bottom of the **Headboard (1)** and **Footboard (2)**, please note that there are corresponding labels with Numbers shown on the actual Legs and Headboard/Footboard. The bigger curve face of the 4 pieces of **No. 10 Legs (10)** and 4 pieces of **No.11 Legs (11)** should face certain direction to the outside.
2. Attach 1 piece of **No.10 Leg (10)** to the bottom of the **Footboard (2)** by using 2 pieces of **Bolts (B)**, 2 pieces of **Lock Washers (E)** and 2 pieces of **Flat Washers (D)**. Tighten **Bolts (B)** by using **Allen Wrench (G)** as shown, then use 4 pieces of **Screws (F)** to screw in from **No. 10 Leg (10)** to the bottom of **Footboard (2)** by **Screw Driver (H)** (Not included).
3. Repeat the same steps for the assembly of the other 7 pieces of Legs.



# QUEEN BED



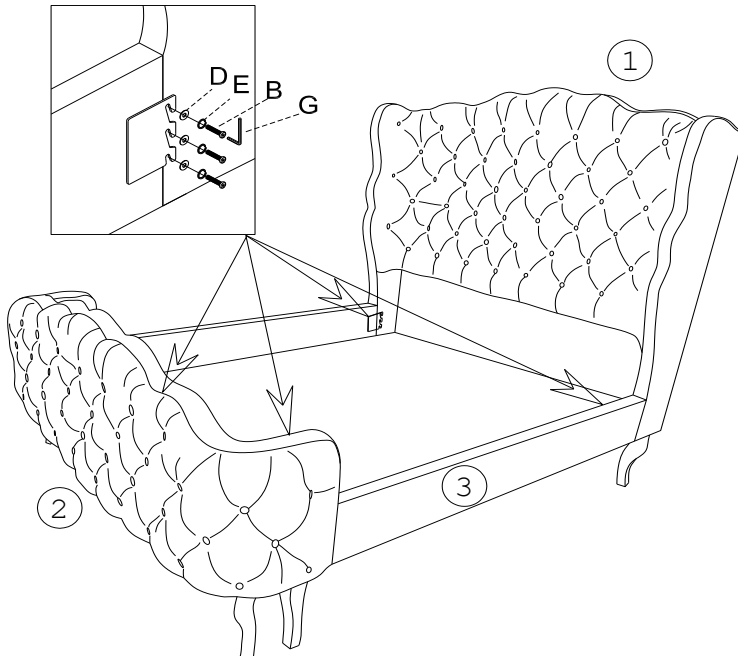
<b>B</b>  x 16	<b>E</b>  x 16	<b>F</b>  x 32
<b>G</b>  x 1	<b>D</b>  x 16	 Phillips Head Screwdriver NOT INCLUDED

Hardware & Tools required

# QUEEN BED

## STEP 2:

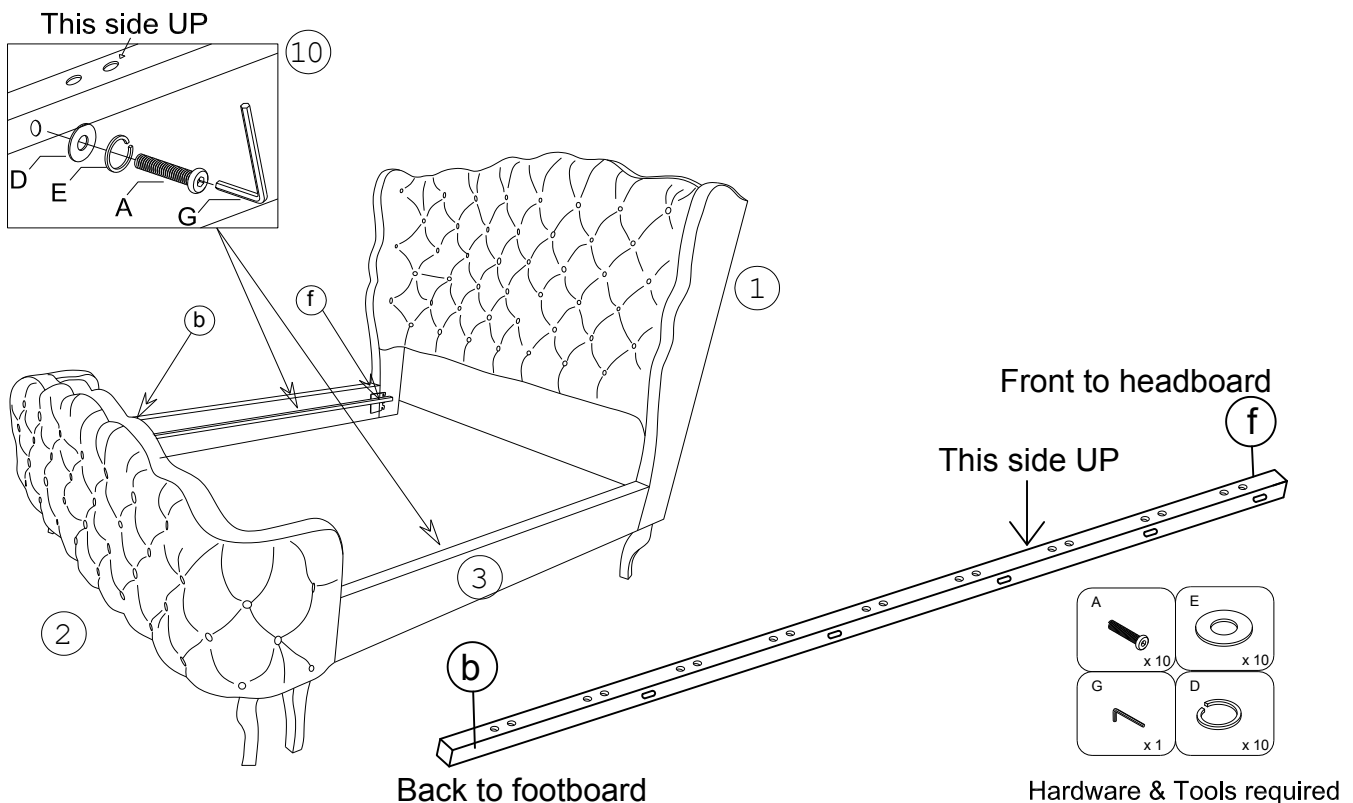
Attach one end of **Bed Rail (3)** to the **Headboard (1)** by using 3 pieces of **Bolts (B)**, 3 pieces of **Lock Washers (E)** and 3 pieces of **Flat Washers (D)**. Do not fully tighten **Bolts (B)** at this step. Repeat the same steps for the other end of Bed Rail to the **Footboard (2)**. Repeat the same steps for the other Bed Rail to **Headboard (1)** and **Footboard (2)**. Finally tighten all the **Bolts (B)** fully.



Hardware & Tools required

## STEP 3:

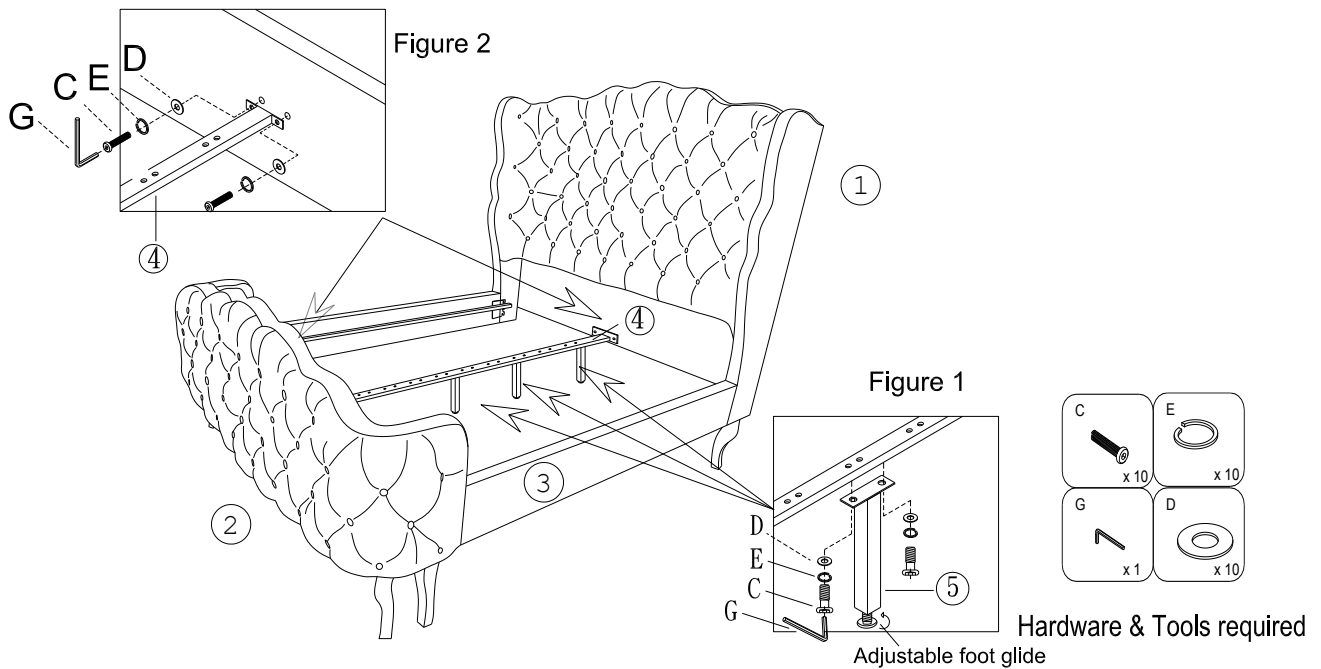
1. Attach one of the **Slat Support (10)** to one of the middle of the **Bed Rail (3)** by using 5 pieces of **Bolts (A)**, 5 pieces of **Lock Washers (E)** and 5 pieces of **Flat Washers (D)**. Please pay attention that the **Slat Support (10)** with holes is on the top. Tighten **Bolts (A)** by using **Allen Wrench (G)** as shown.
2. Repeat the same steps for the other **Slat Support (10)** to the other **Bed Rail (3)**.



## QUEEN BED

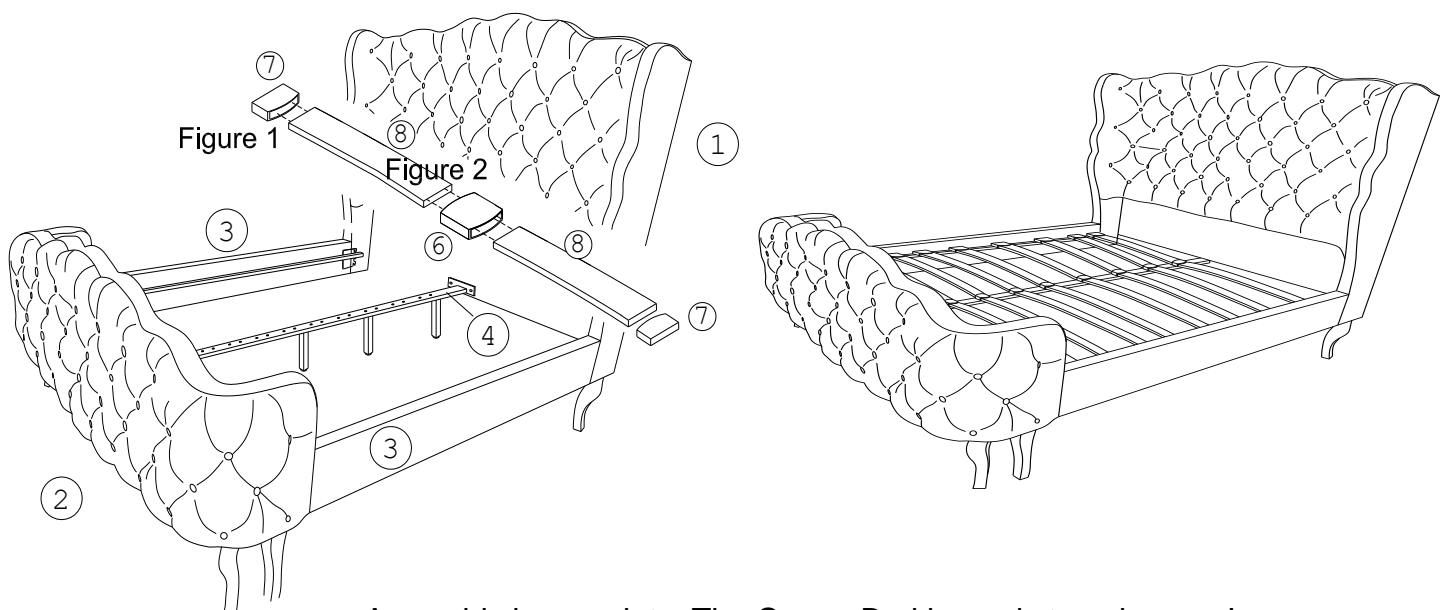
### STEP 4:

1. Attach each **Center Support Leg (5)** to the **Center Rail (4)** by using 2 pieces of **Bolts (C)**, 2 pieces of **Lock Washers (E)** and 2 pieces of **Flat Washers (D)**. Tighten **Bolts (C)** by using **Allen Wrench (G)** fully as shown in Figure 1.
2. Attach the **Center Rail (4)** to the Headboard &Footboard by using 4 pieces of **Bolts (C)**, 4 pieces of **Lock Washers (E)** and 4 pieces of **Flat Washers (D)**. Tighten **Bolts (C)** by using **Allen Wrench (G)** fully as shown in Figure 2.
3. Please note that the bottom of each **Center Support Leg (5)** has the adjustable foot glide which you can adjust the height if necessary.



### STEP 5:

Insert the assembled **Side Plastic Covers (7)** into the corresponding holes on the **Slat Support (7)** of the **Bed Rail (10)**, and the assembled **Center Plastic Cover (6)** into the corresponding holes on **Center Rail (4)** as shown.



Assembly is complete. The Queen Bed is ready to enjoy now!