

ASSEMBLY INSTRUCTION

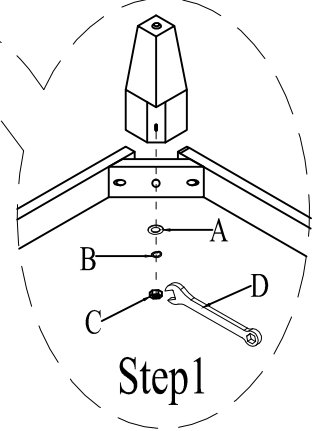
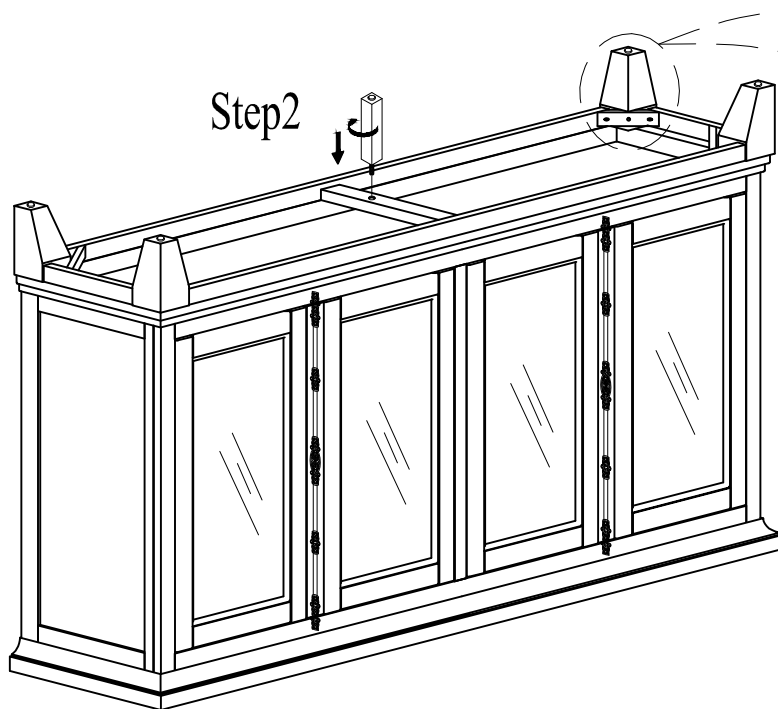
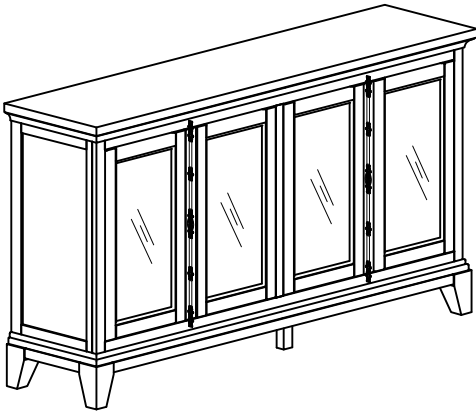
111 - 1400 ALMA FOUR DOOR ACCENT CONSOLE





www.kincaidfurniture.com

Phone : 828-728-3261.

IMPORTANT NOTES :

- . Place all wooden parts on a clean and smooth surface such as a rug or carpet to prevent the parts from being scratched.
- . Check to be sure that you have all parts and hardware.
- . Remove all wrapping materials, including staples and packing straps before you start to assemble.
- . Do not tighten all screws and bolts until completely assembled.
- . Keep all hardware out of the reach of children.



	Dimension	Shape	Quantity
A	Flat washer 5/16"*Ø19		4pcs
B	Lock washer 5/16"		4pcs
C	Nut 5/16"		4pcs
D	Wrench 12mm		1pc