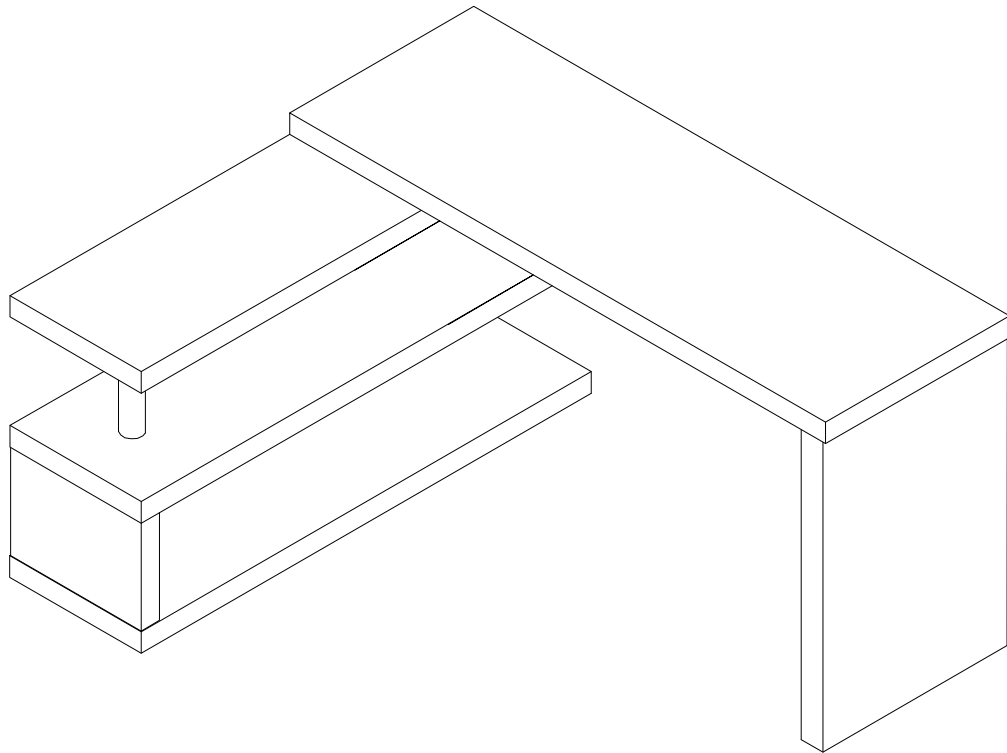


ASSEMBLY INSTRUCTION FOR ACME FURNITURE

MODEL# Y1006

Thank you for purchasing the quality product. Be sure to check all packing material carefully for small parts which may have come loose inside the carton during shipment. Separate, identify and count all parts and metal hardware. Compare with all parts list to be sure all parts are present. If any part(s) are missing or damaged, please contact your local furniture dealer. For efficient and speedy service, please indicate the model number and code letter of part(s) needed.

*****Do not fully tighten screws until fully assembled*****

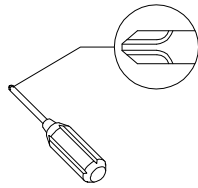


Attention:

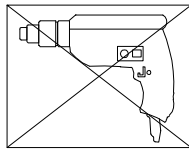
***Some number parts listed on the instruction sheet may not be in parts bag as they may already be assembled. Carefully check parts and packing materials prior to ordering replacements.

General Assembly Guidelines

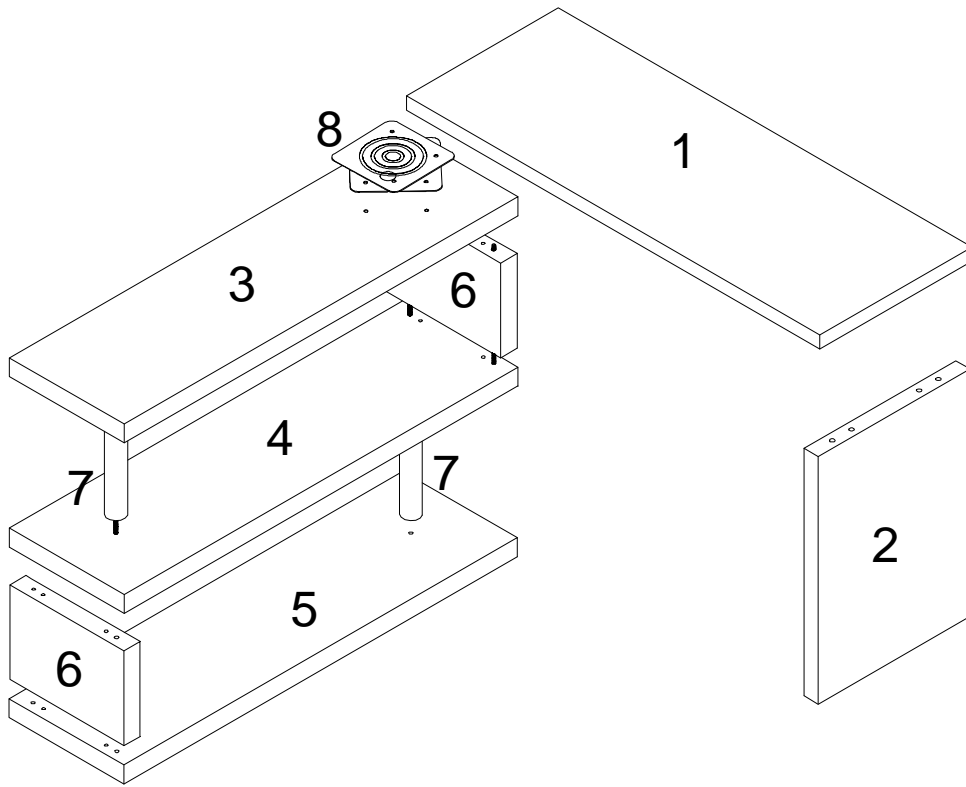
- I. Ensure that all parts and hardware are available before beginning assembly.
- II. Follow each step carefully to ensure the proper assembly of this product.
- III. Two people are recommended for ease in the assembly of this product.
- IV. The three main types of hardware used to assemble this product are : wood dowels , screws and bolts.
- V. A Phillips head screwdriver is required for the assembly of this product .










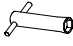

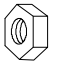



- VI. Power tools should not be used to assemble this product .



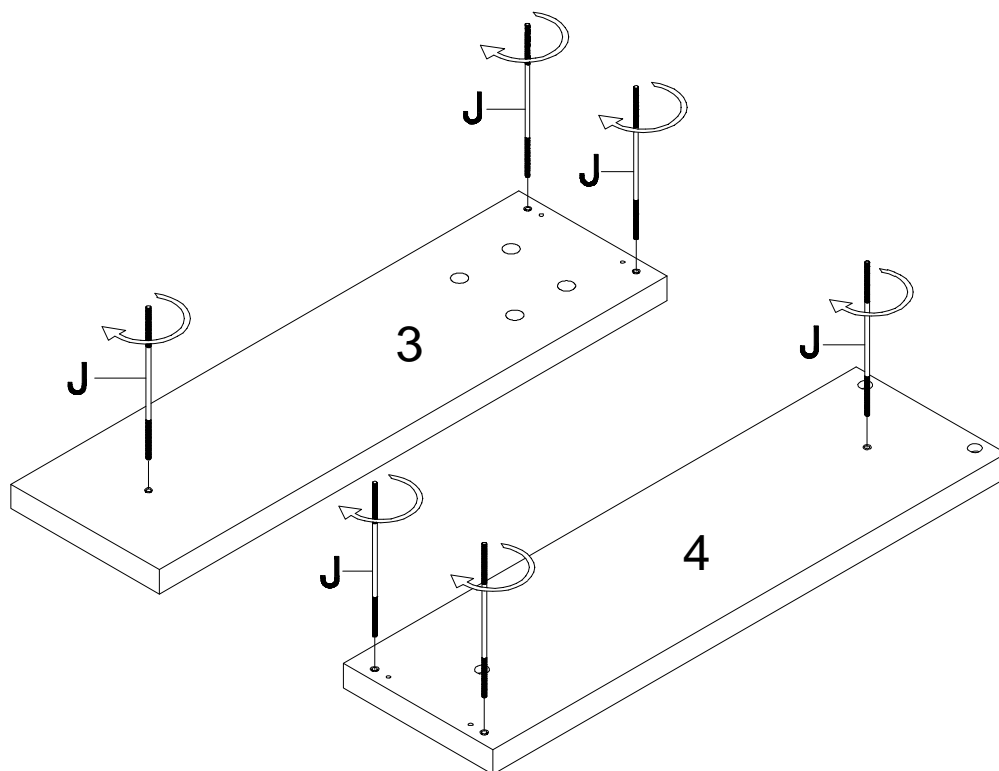
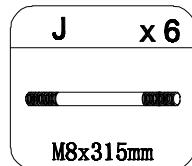
Parts List



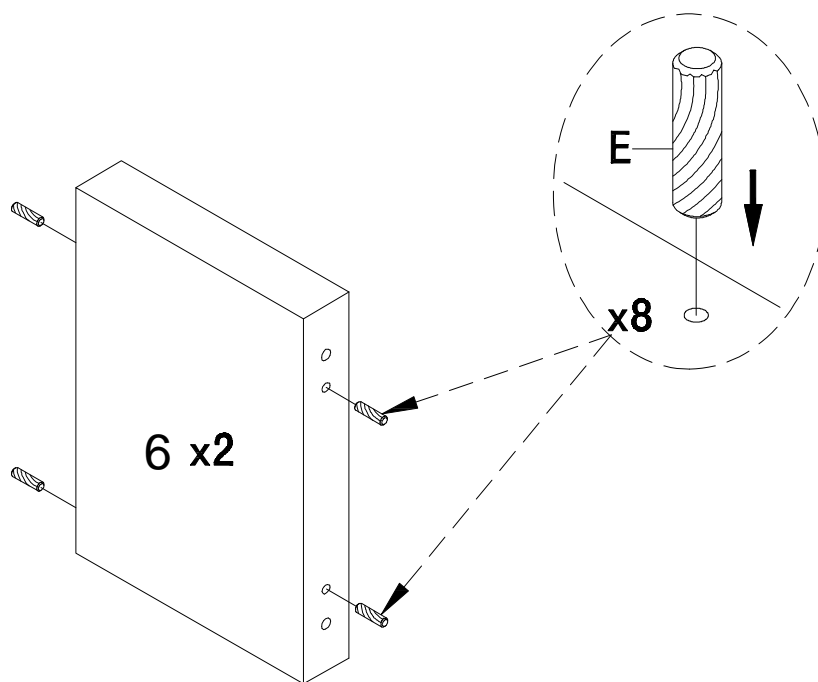
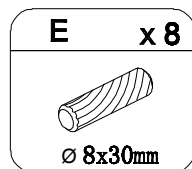
Hardware List

A		M8x45mm Bolt	4 pcs	H		M38x3mm Mat callosity	5 pcs
B		M8x20mm Bolt	16 pcs	I		M8mm Washer	16 pcs
C		M8x708mm Screw rod	2 pcs	J		M8x315mm Screw rod	6 pcs
D		Fixed angle code	2 pcs	K		Sleeve	1 pcs
E		Ø8x30mm Wooden dowel	10 pcs	L		M8 Nut	12 pcs
F		M5mm Hex Key	1 pcs	M		Wrench	1 pcs
G		M8x17mm Washer	24 pcs				

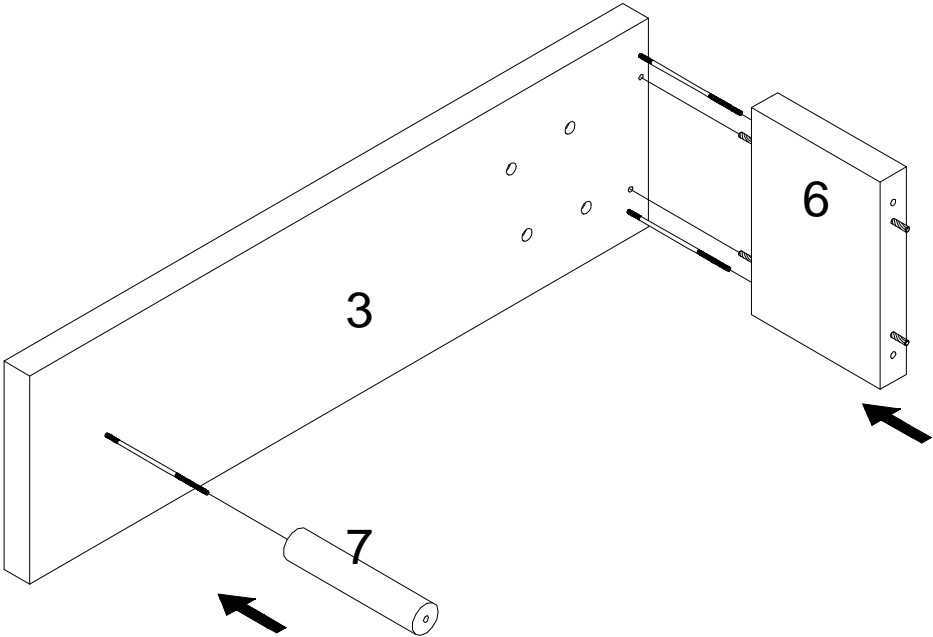
Step 1



Step 2

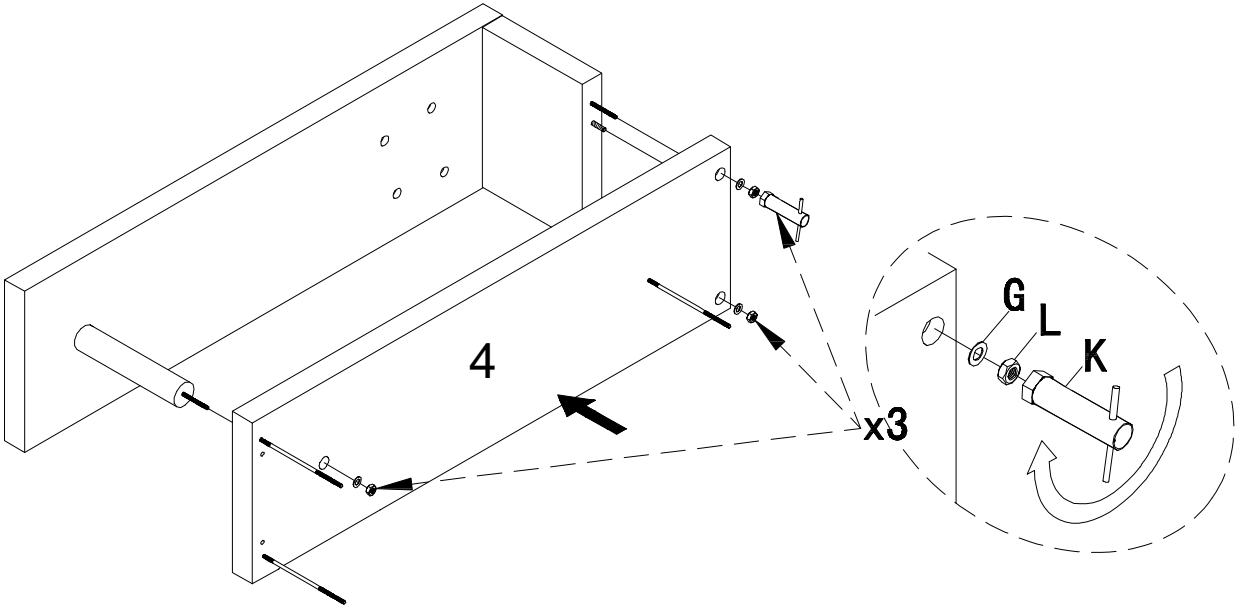


Step 3

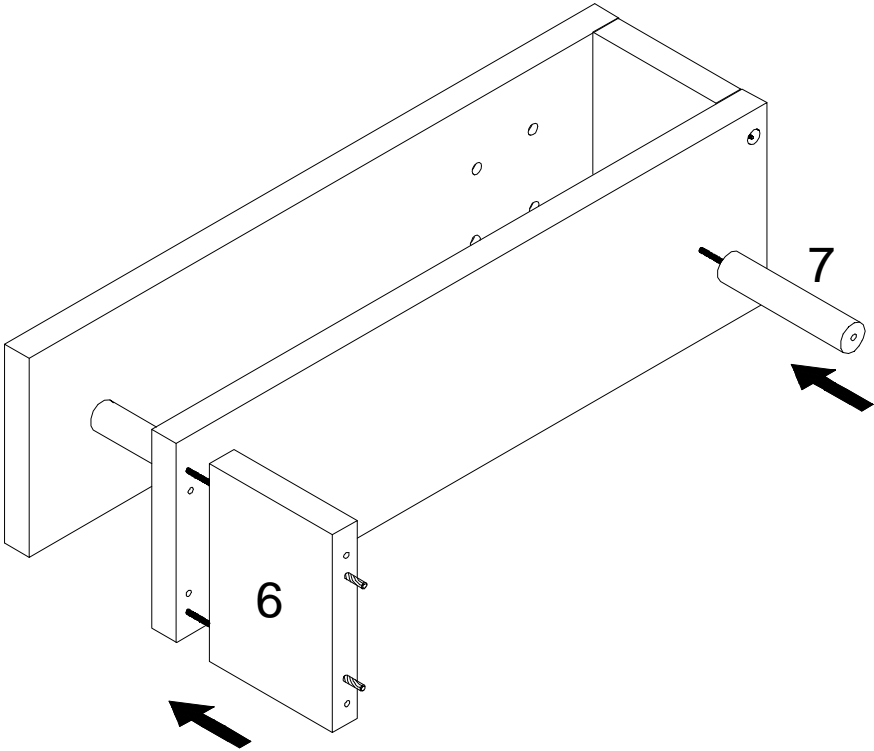


Step 4

- G x3**
MBx17mm
- K x1**
M8
- L x3**
M8

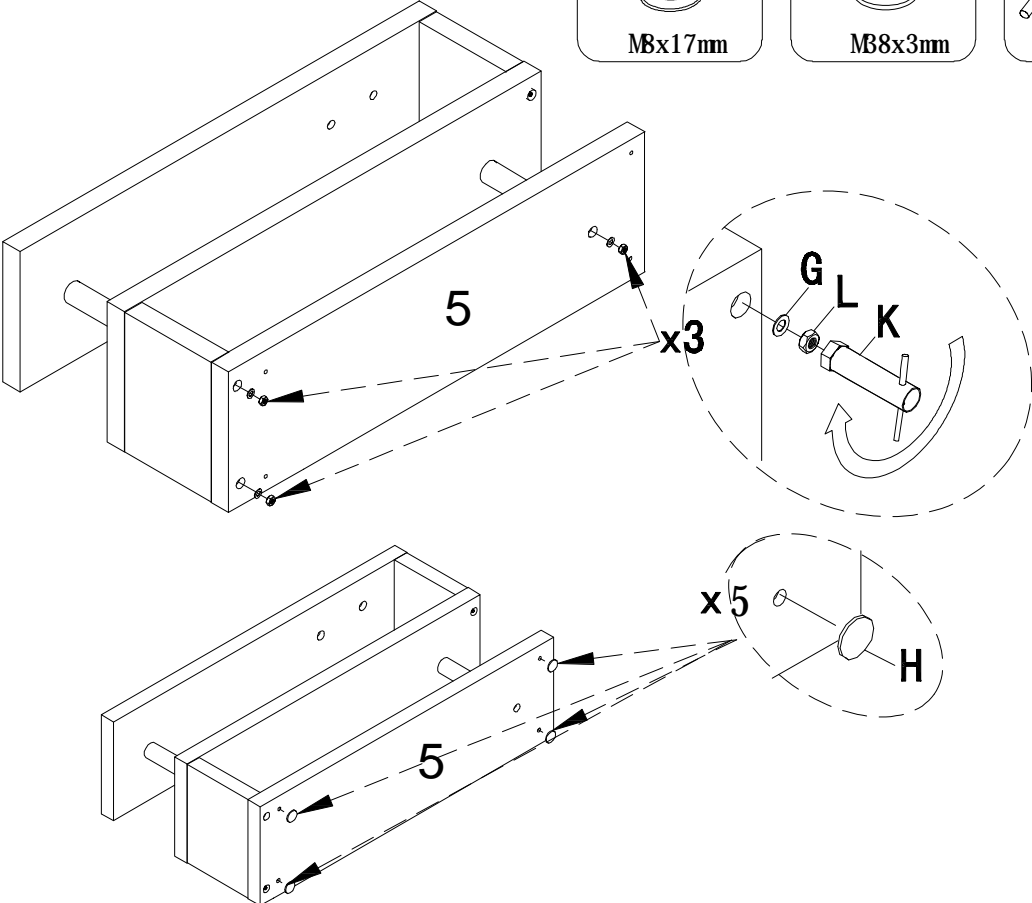


Step 5

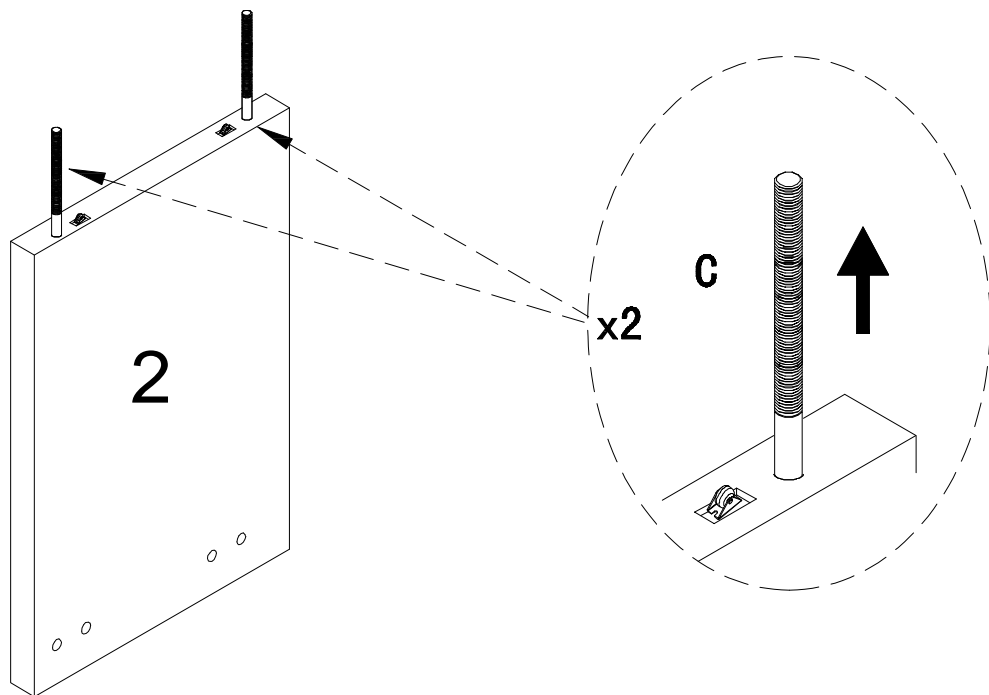


Step 6

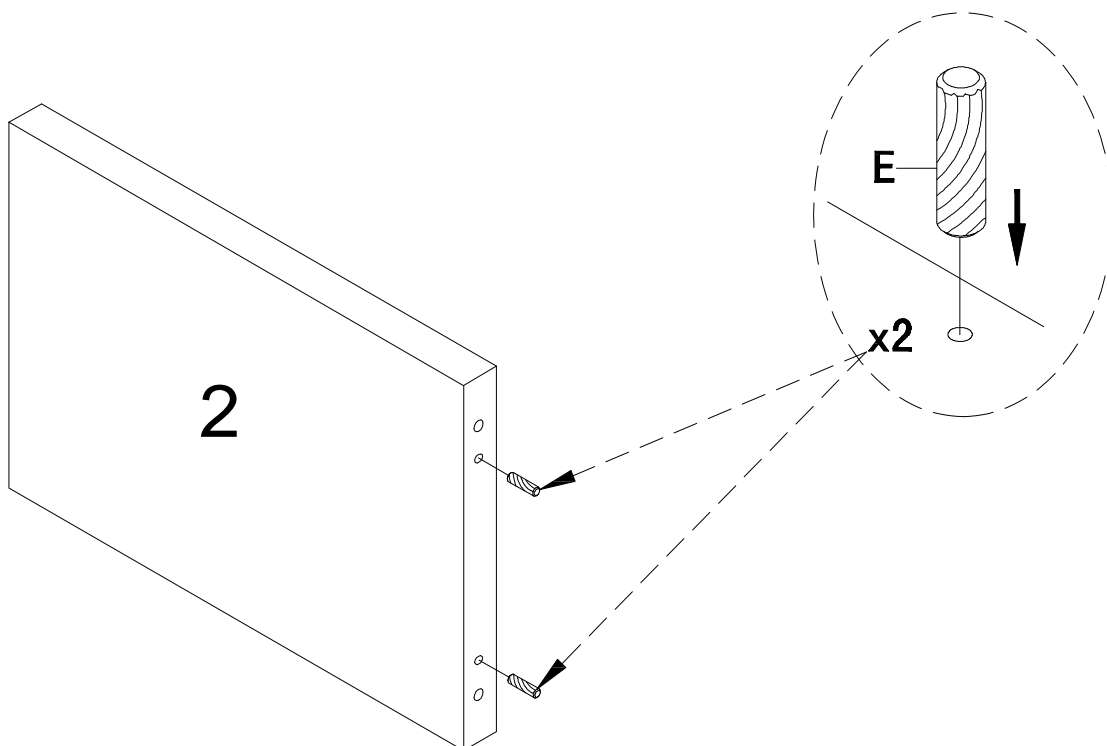
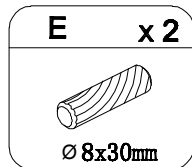
- G x3**
MBx17mm
- H x5**
MB8x3mm
- K x1**
M8
- L x3**
M8



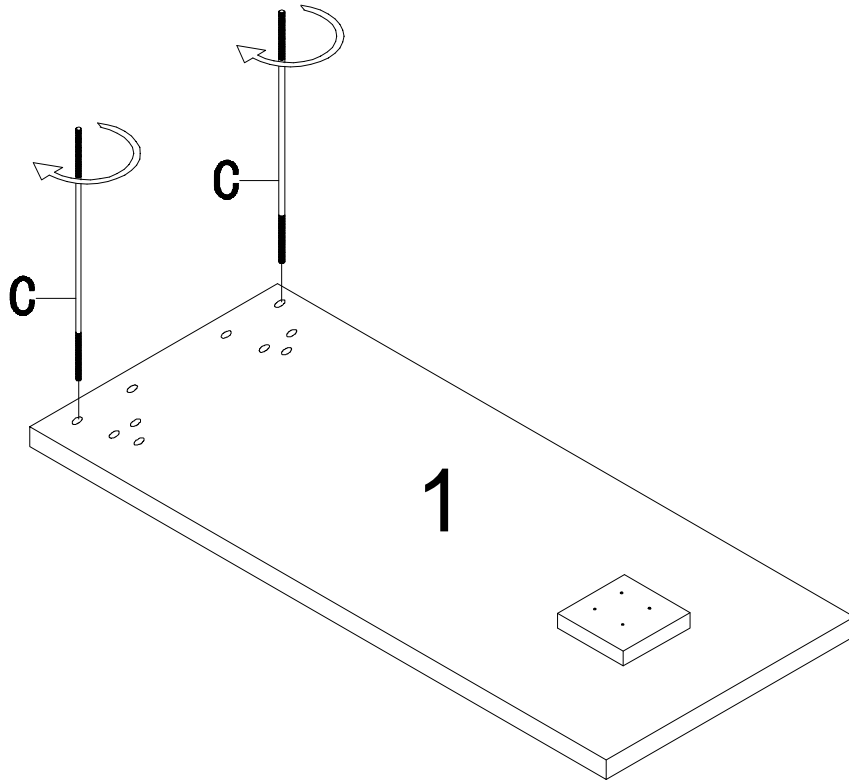
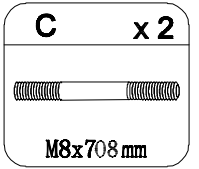
Step 7



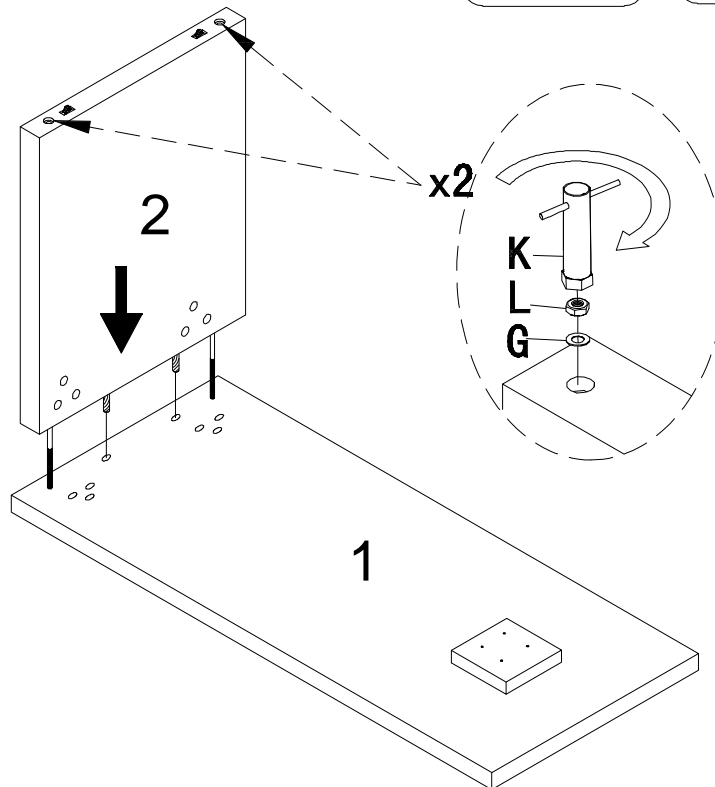
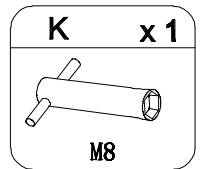
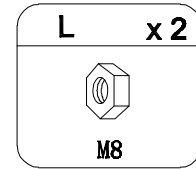
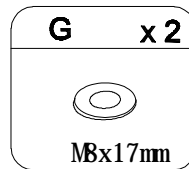
Step 8



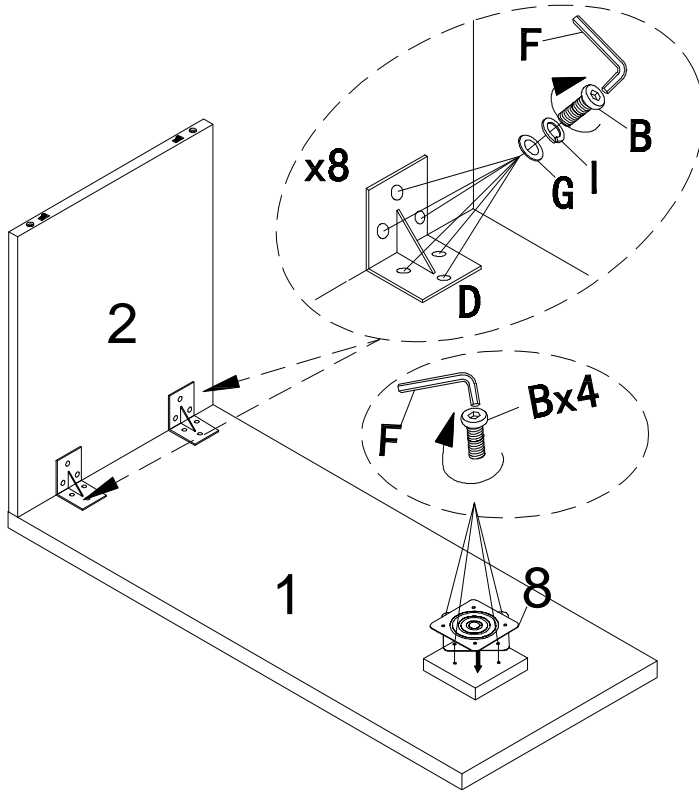
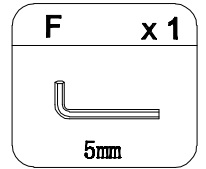
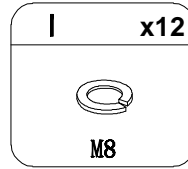
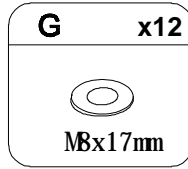
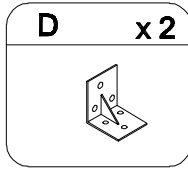
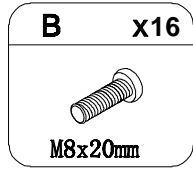
Step 9



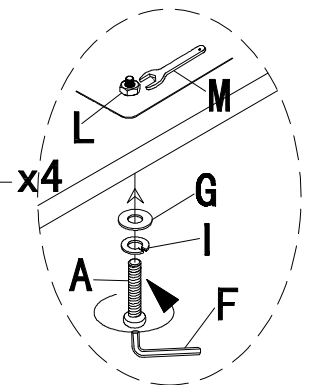
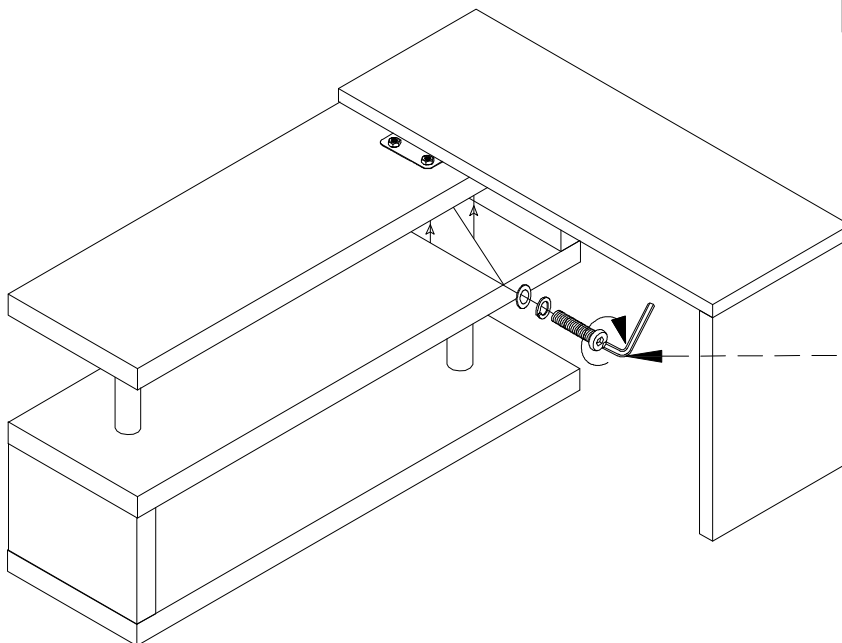
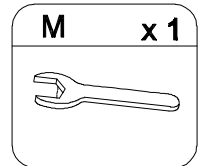
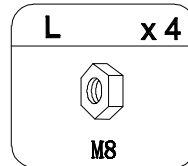
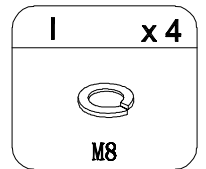
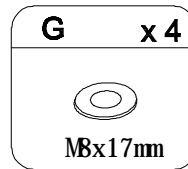
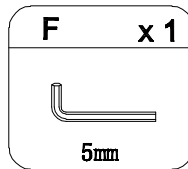
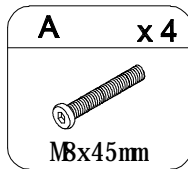
Step 10



Step 11



Step 12



Step 13

