

Nightstand

Assembly Instructions - Please keep for future reference



Dimensions

Width - 17.7inch

Depth - 17.7inch

Height - 23.62inch

Important – Please read these instructions fully before starting assembly



Safety and Care Advice

Important – Please read these instructions fully before starting assembly

- Check you have all the components and tools listed on the following pages.
- Remove all fittings from the plastic bags and separate them into their groups.
- Keep children and animals away from the work area, small parts could choke if swallowed.
- Make sure you have enough space to layout the parts before starting.

- During assembly do not stand or put weight on the product, this could cause damage.
- Assemble the item as close to its final position (in the same room) as possible.
- Assemble on a soft level surface to avoid damaging the unit or your floor.
- Parts of the assembly will be easier with 2 people.



- To reduce the likelihood of damaging your product please ensure that your power drill is set on a low torque setting.

Care and maintenance

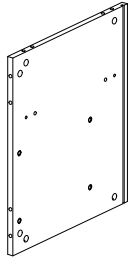
- Only clean using a damp cloth and mild detergent, do not use bleach or abrasive cleaners.
- From time to time check that there are no loose screws on this unit.
- This product should not be discarded with household waste. Take to your local authority waste disposal centre.

Handy Hints

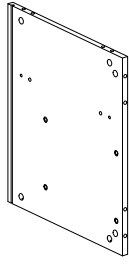
- Assemble all parts and bolts loosely during assembly, only once the product is complete should you fully tighten the bolts
- Regularly check and ensure That all bolts and fittings are tightened properly.

Components - Panels

Please check you have all the panels listed below



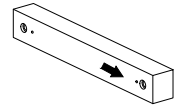
1 (475x415X15mm)X2



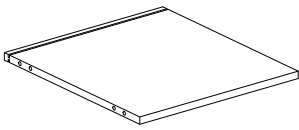
2 (475x415X15mm)X2



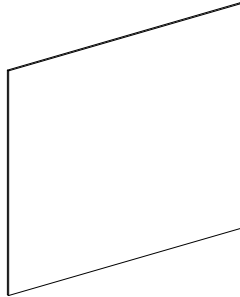
3 (475x50X15mm)X4



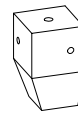
4 (300x40x34mm)X8



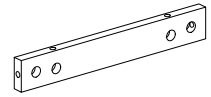
5 (380x415X15mm)X2



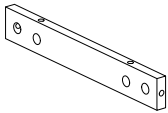
6 (390x320x2.7mm)X2



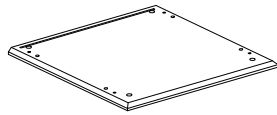
7 (85X50X50mm)X8



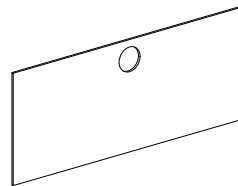
8 (310x45x15mm)X4



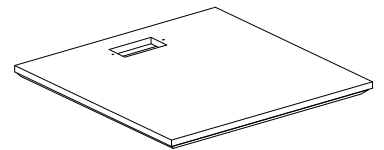
9 (325x45x15mm)X4



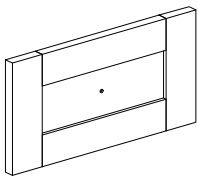
10 (440x445x15mm)X2



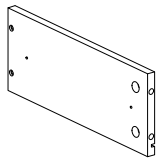
11 (390x160x2.7mm)X2



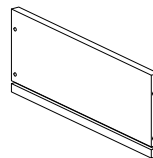
12 (450x450x25mm)X2



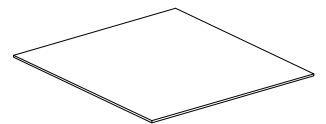
13 (308x160x15mm)X4



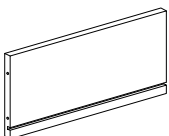
14 (300x118x12mm)X4



15 (300X118X12mm)X4



16 (272x297x2.7mm)X4

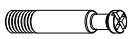


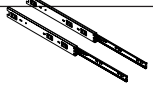



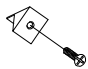

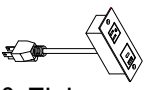
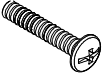


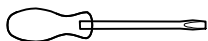
17 (262x118x12mm)X4

Components - Fittings

Please check you have all the panels listed below

Note: The quantitie below are the correct amount to complete the assembly. In some cases more fittings may be supplied than are required.

A  Male Camlock x 80	B  Female Camlock x 80	C  Dowel x 32
D  Drawer slider 12" X 4	E  3.5*12mm Screw x 36	F  4*30mm Screw x 16
G  Handle & Fixings x 4	H  Back Panel Stiffener x 16	I  Protective Feet x 8
J  Handle & Fixings x 2	K  6*35mm Screw x 24	



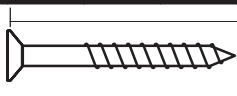
Tools required



Phillips screwdriver
(medium & large)

Ruler - Use this ruler to help correctly identify the screws

0 5 10 15 20 25 30 35 40 45 50 55 60 65 70 75 80 85 90 95 100 105 110 115 120 125 130 135 140 145 150 155 160 165 170



The screws length is measured from the head to the point (30mm screw shown).

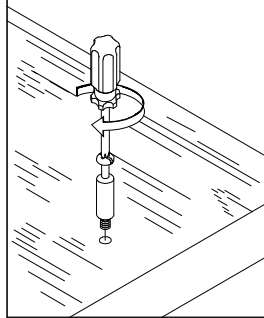
Using Camlocks

Step 1

Connect the male camlock as directed in the assembly instructions using a screwdriver.

1

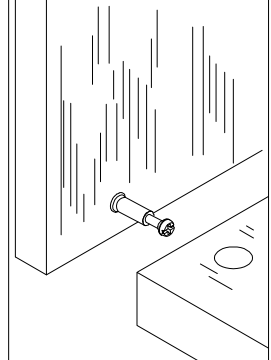
DO NOT OVER TIGHTEN.
NE PAS SERRER EXCESSIVEMENT.



Step 2

Push the male camlock into the entry hole.

2

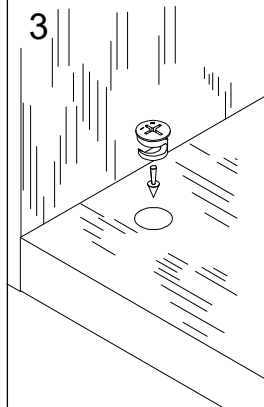


Step 3

Insert the female camlock as shown in the instruction.

Note: ensure that the arrow on the top of the camlock points towards the entry hole for the male camlock.

3



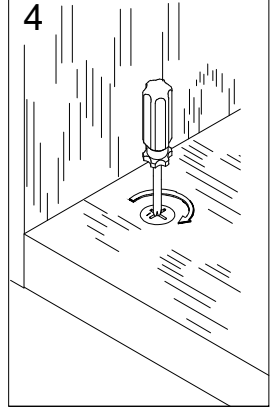
Step 4

Turn the female camlock clockwise with a screwdriver.

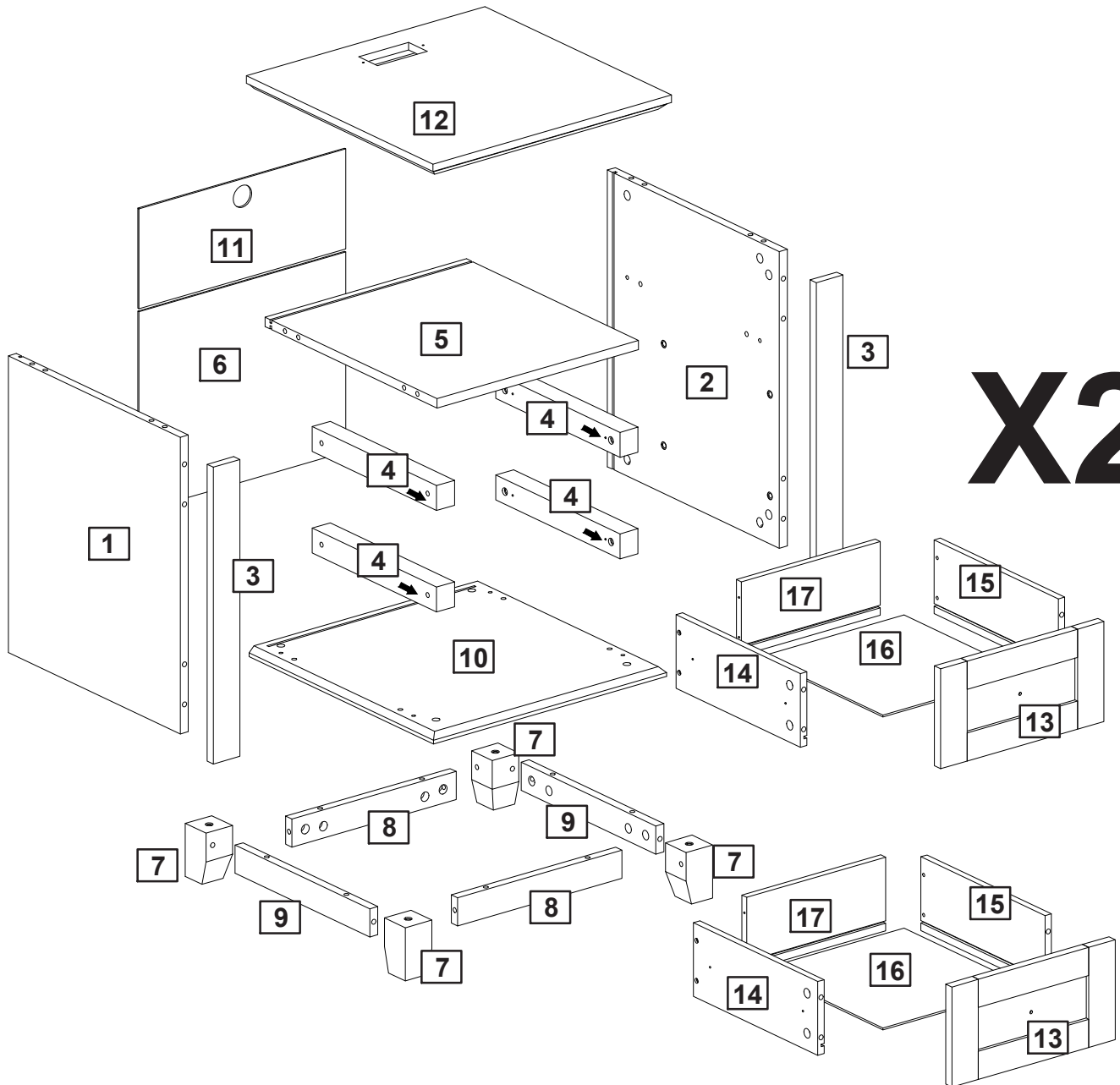
You should feel a click when the camlock is locked in place.

The joint is now secure.

4

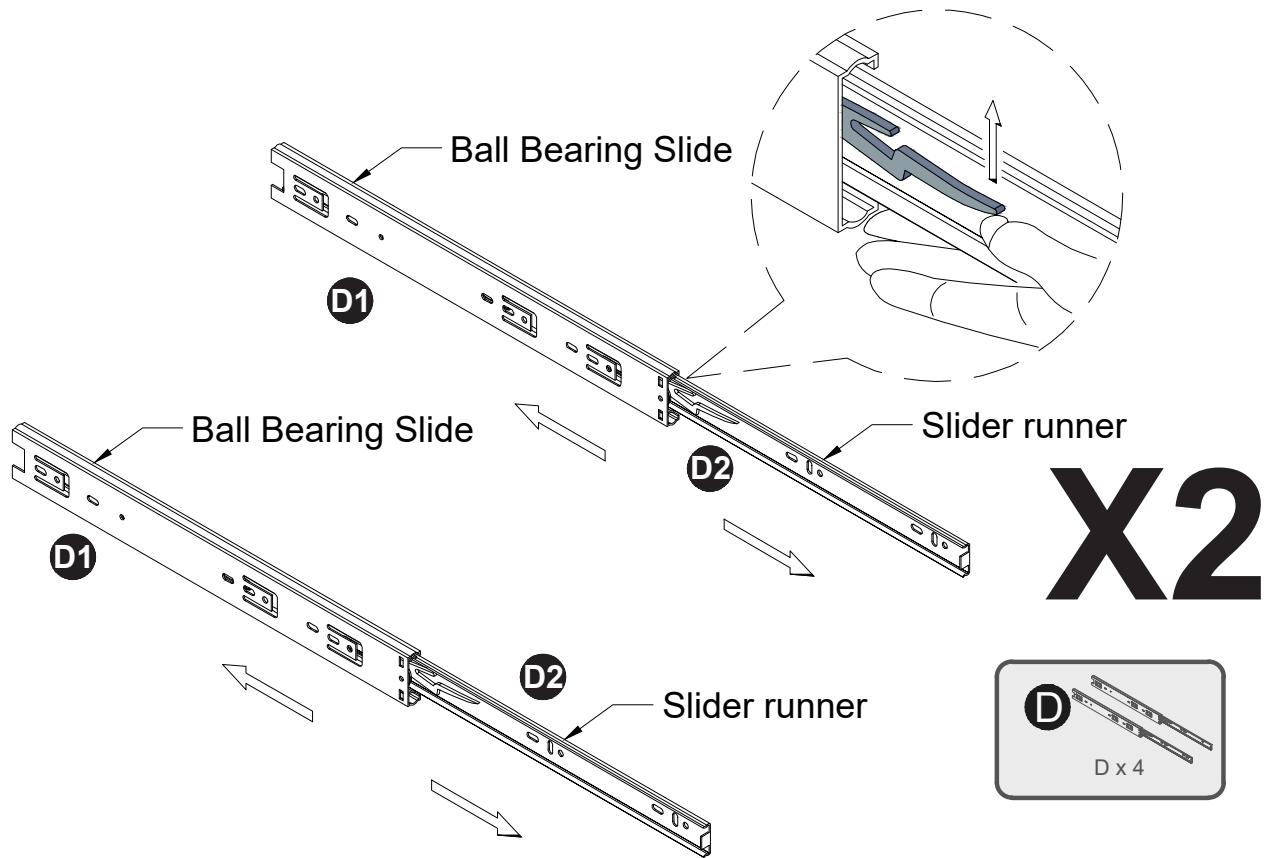


Assembly Instructions

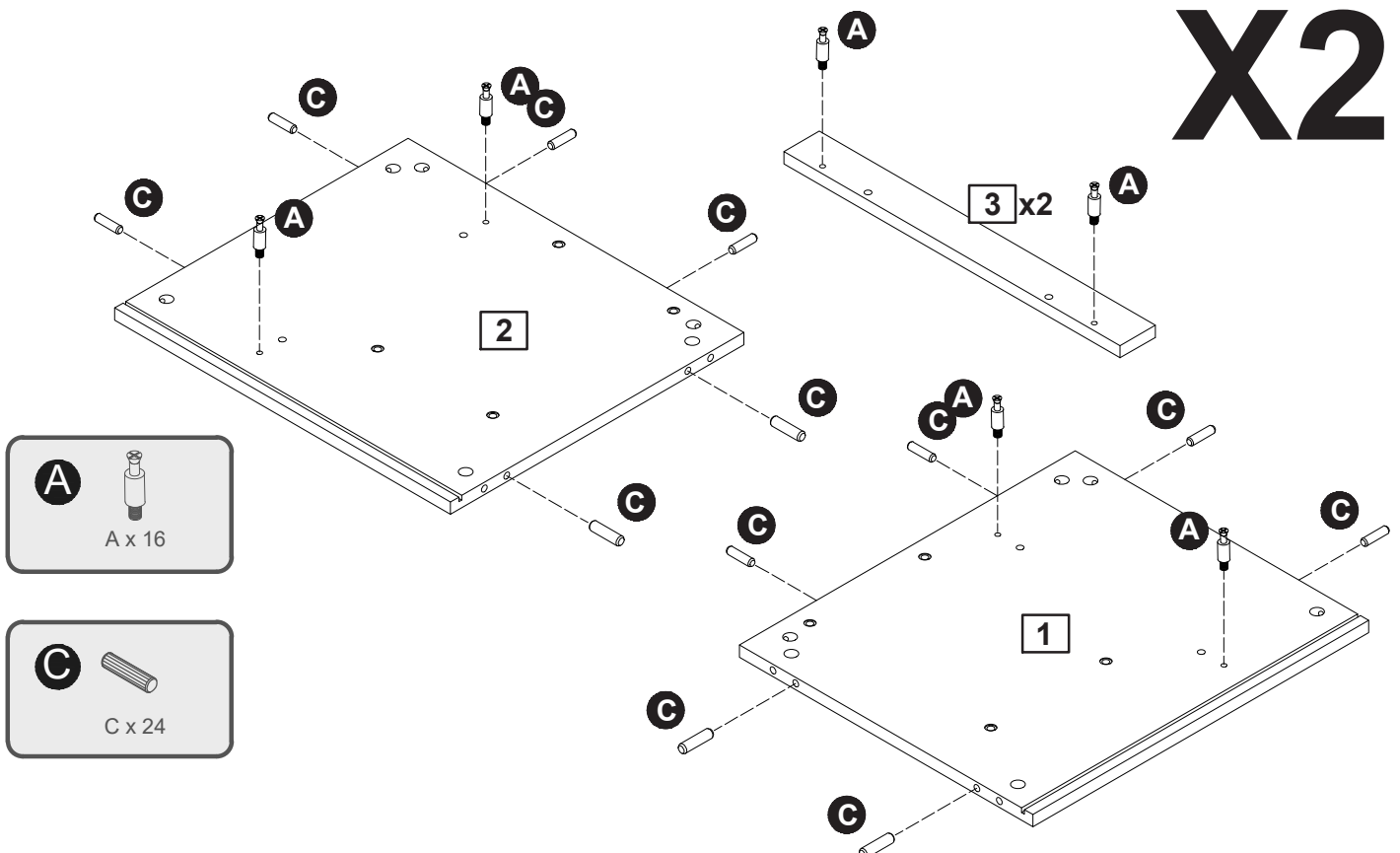


Assembly Instructions

Step 1

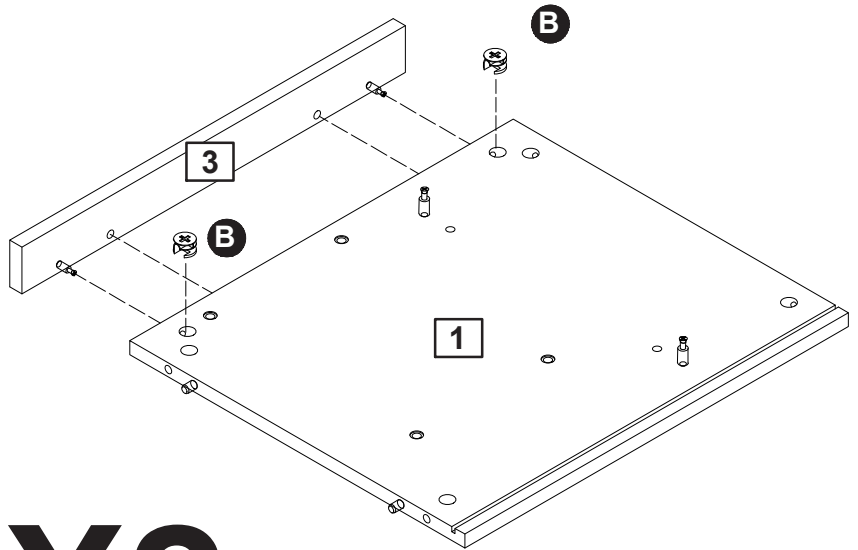
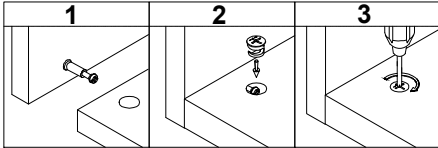


Step 2



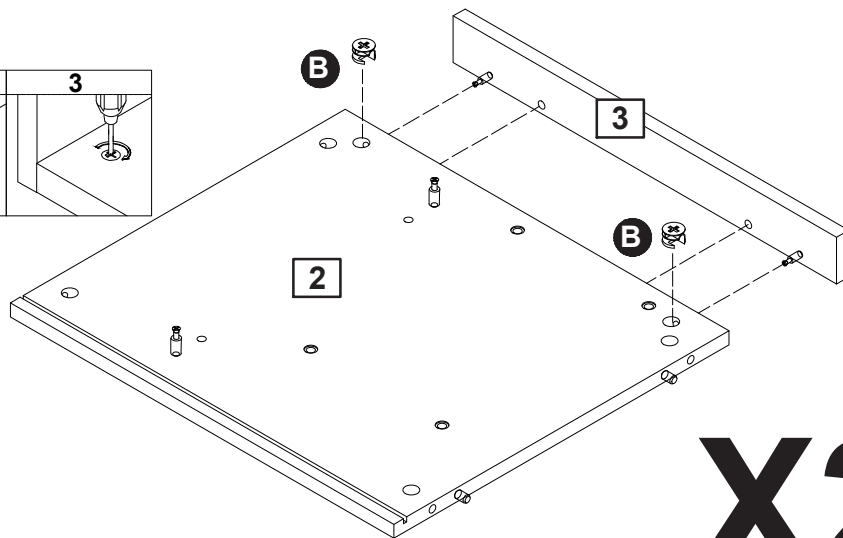
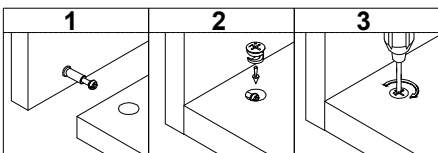
Assembly Instructions

Step 3



X2

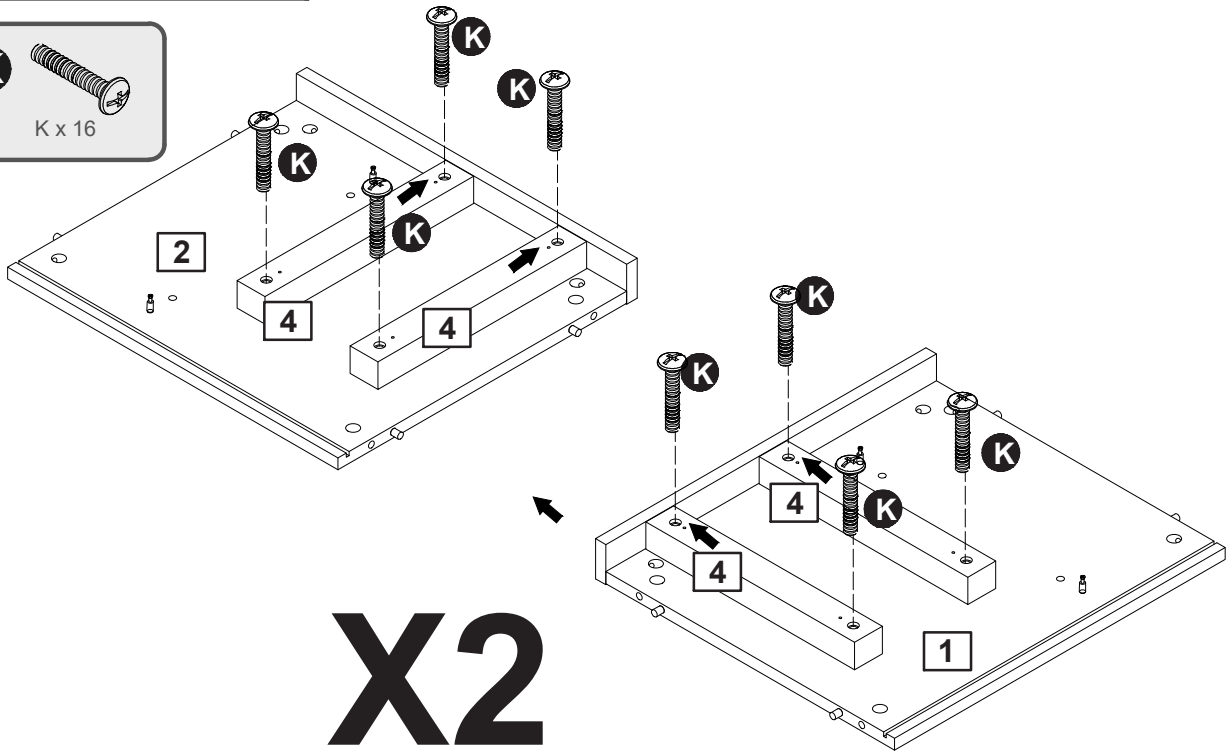
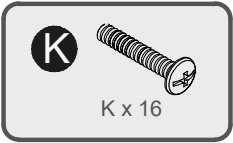
Step 4



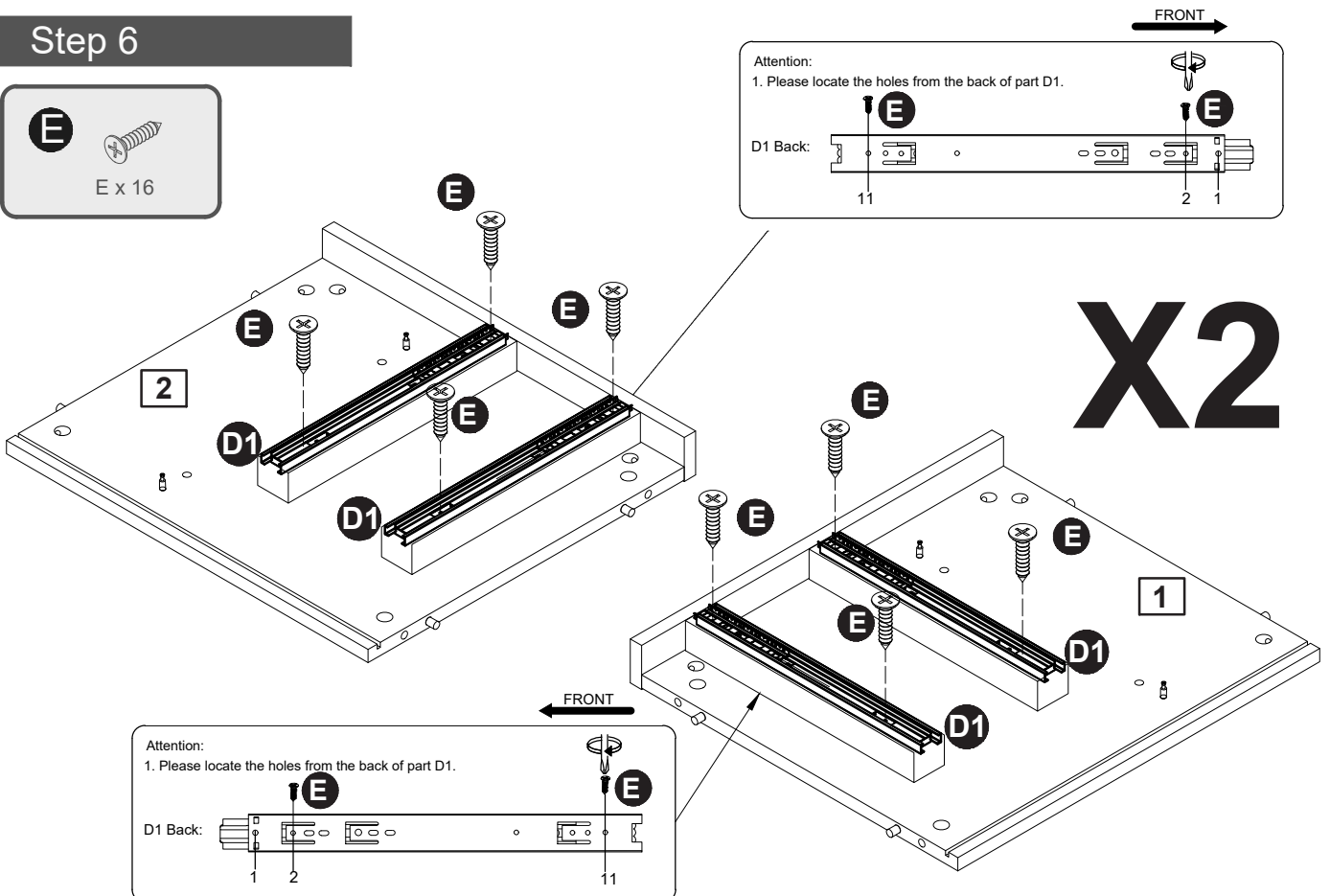
X2

Assembly Instructions

Step 5

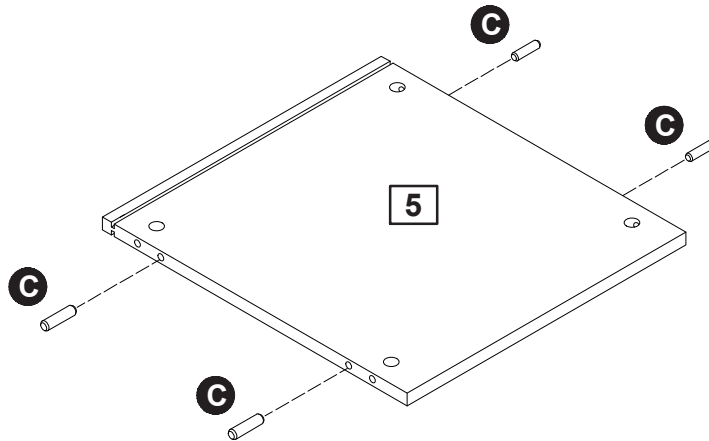
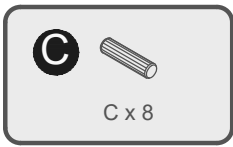


Step 6



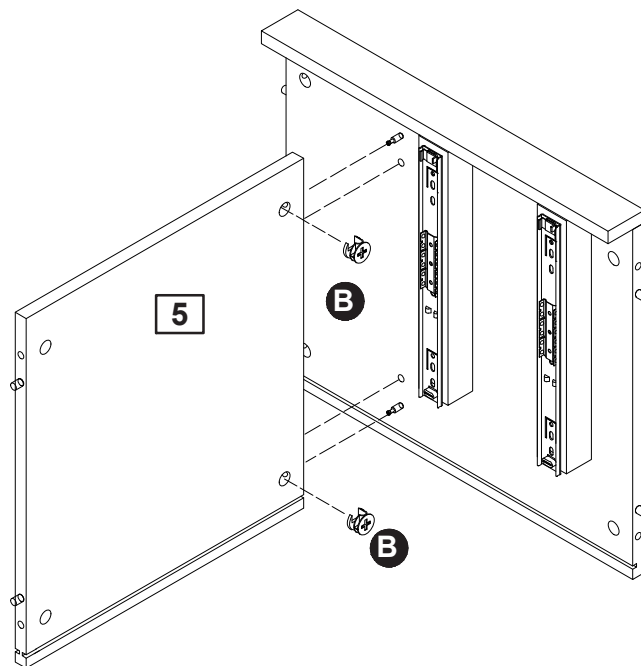
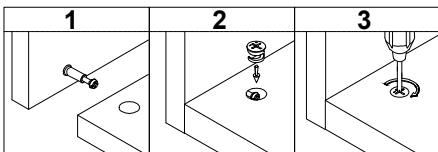
Assembly Instructions

Step 7



X2

Step 8



X2

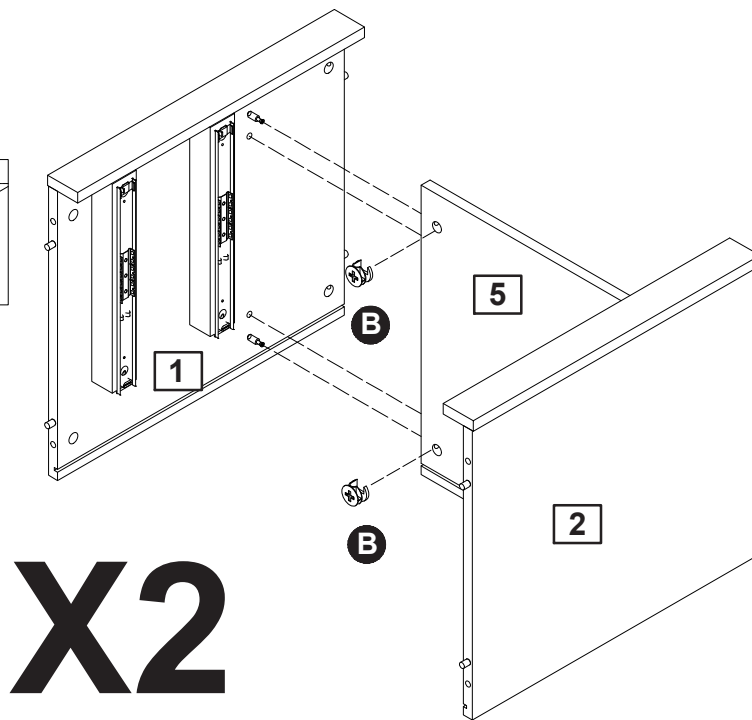
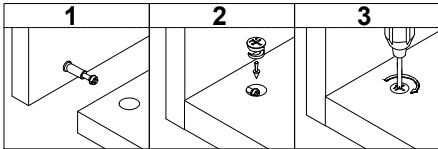
Assembly Instructions

Step 9

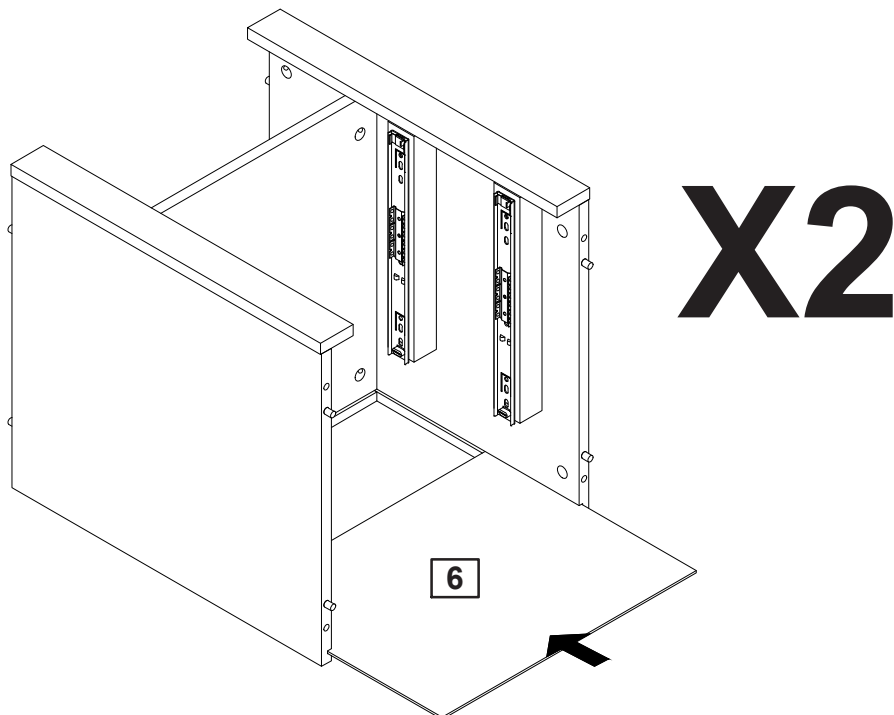
B



B x 4

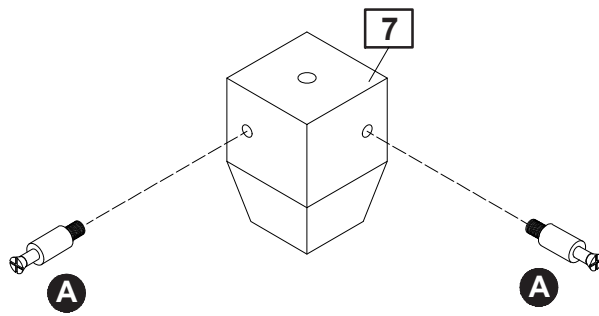
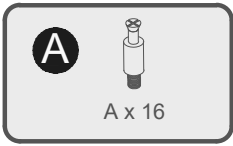


Step 10



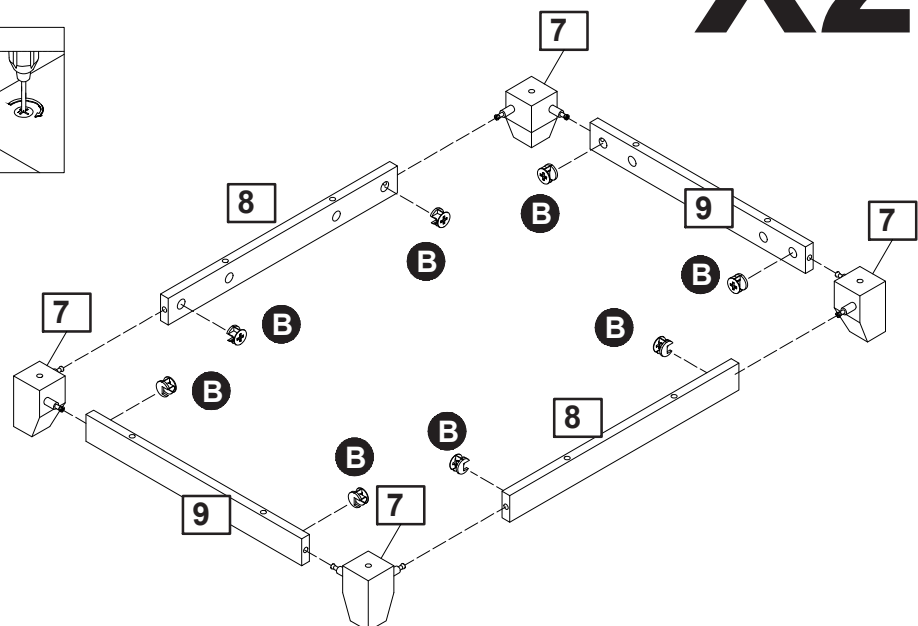
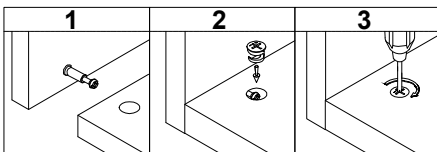
Assembly Instructions

Step 11



X8

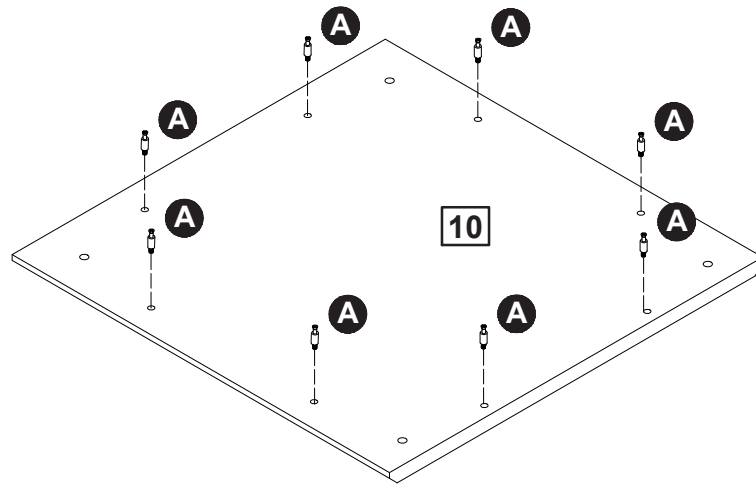
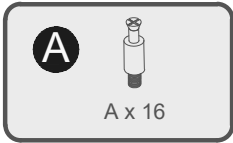
Step 12



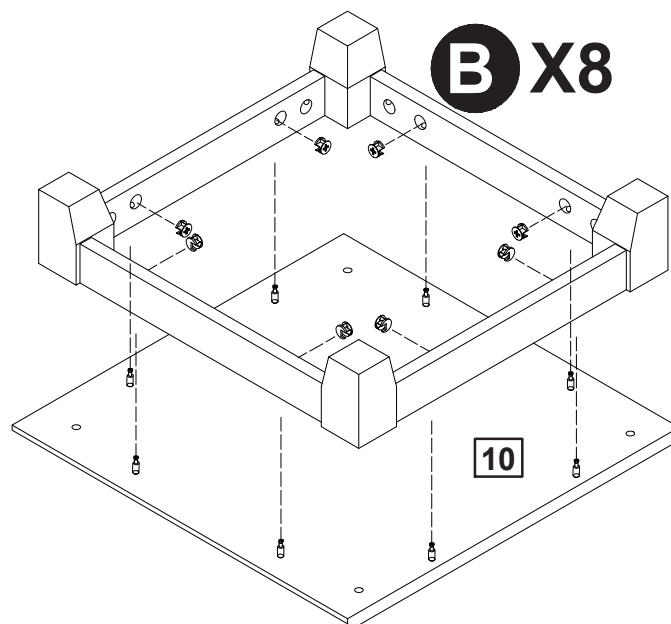
X2

Assembly Instructions

Step 13



Step 14

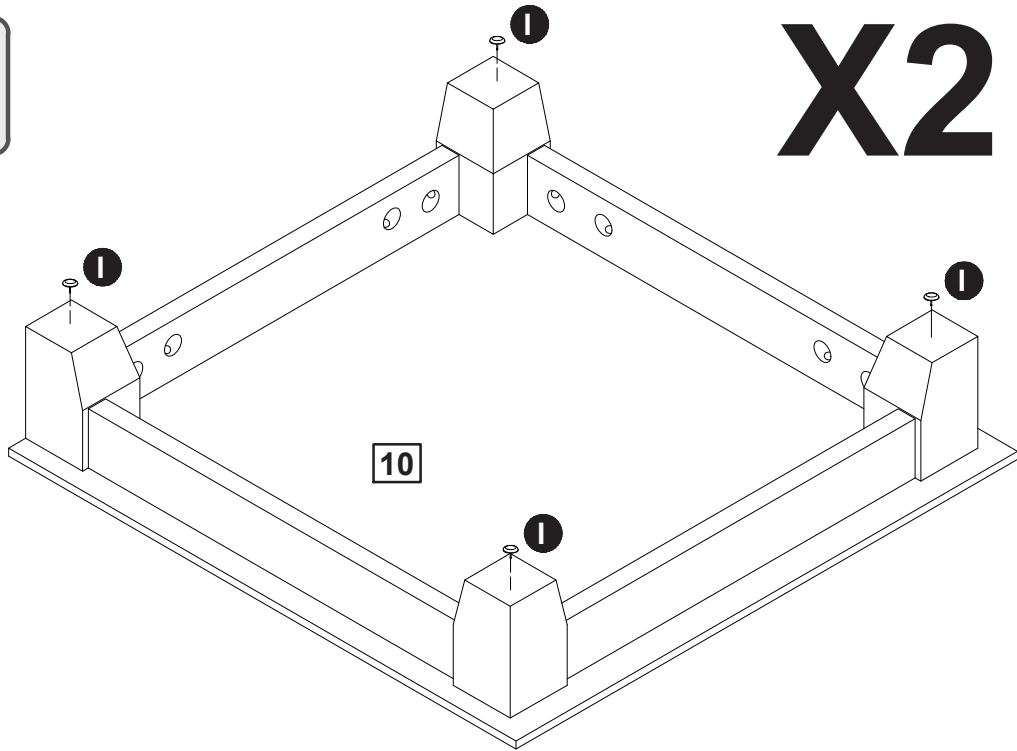


Assembly Instructions

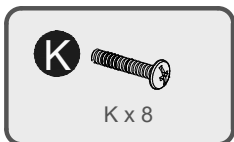
Step 15



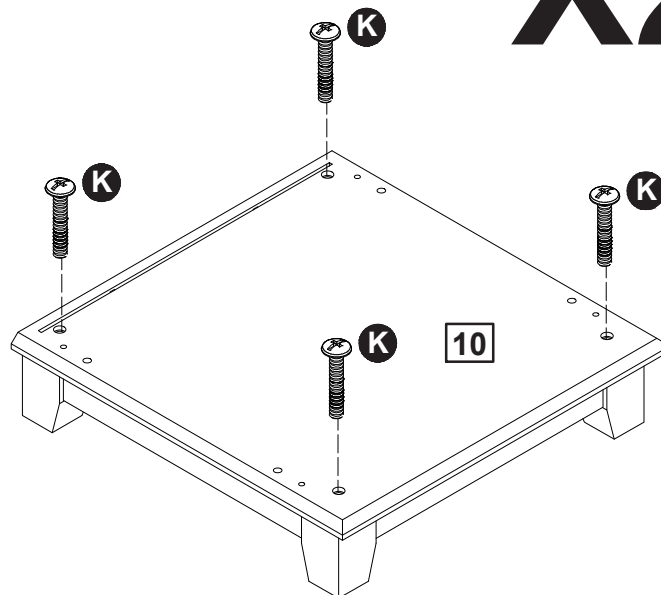
X2



Step 16

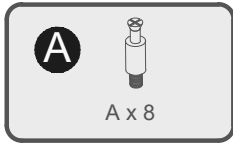


X2

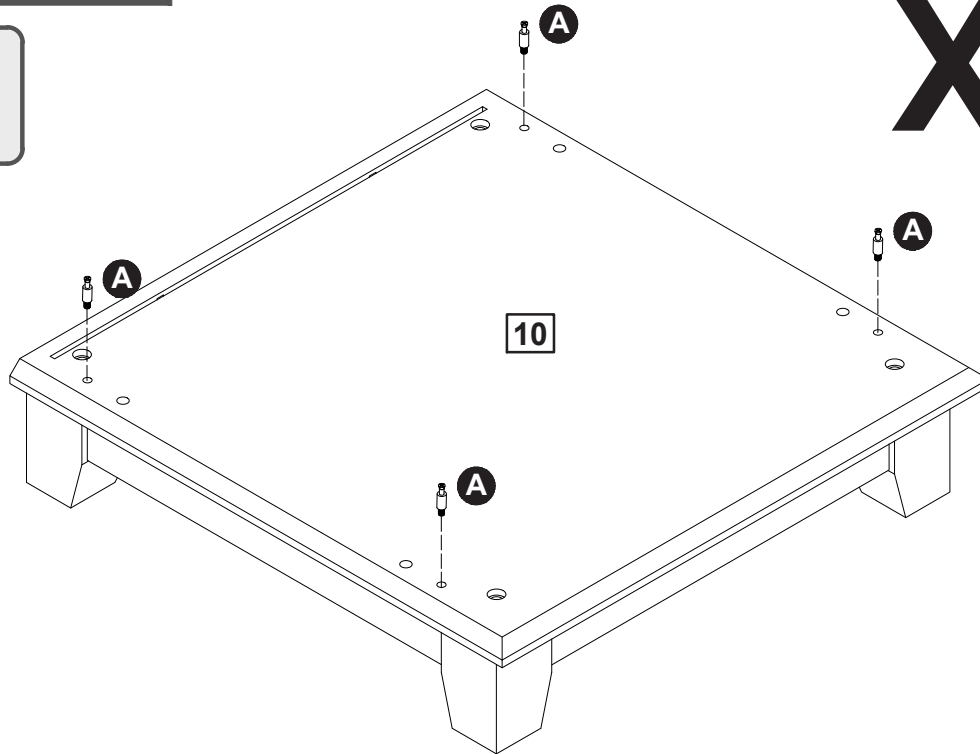


Assembly Instructions

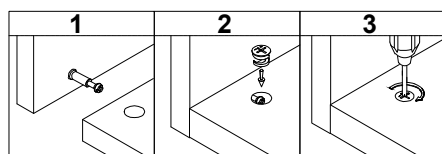
Step 17



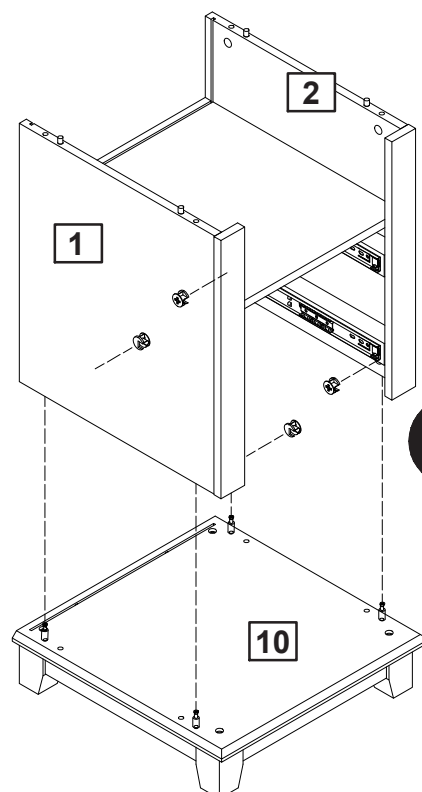
X2



Step 18



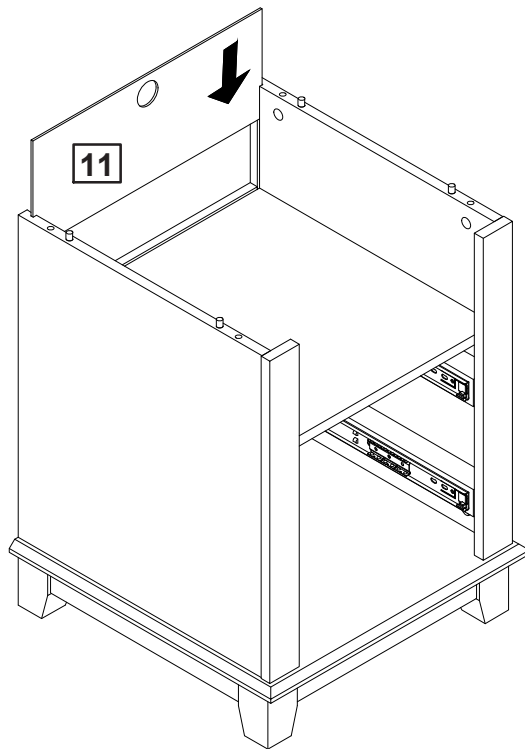
X2



B X4

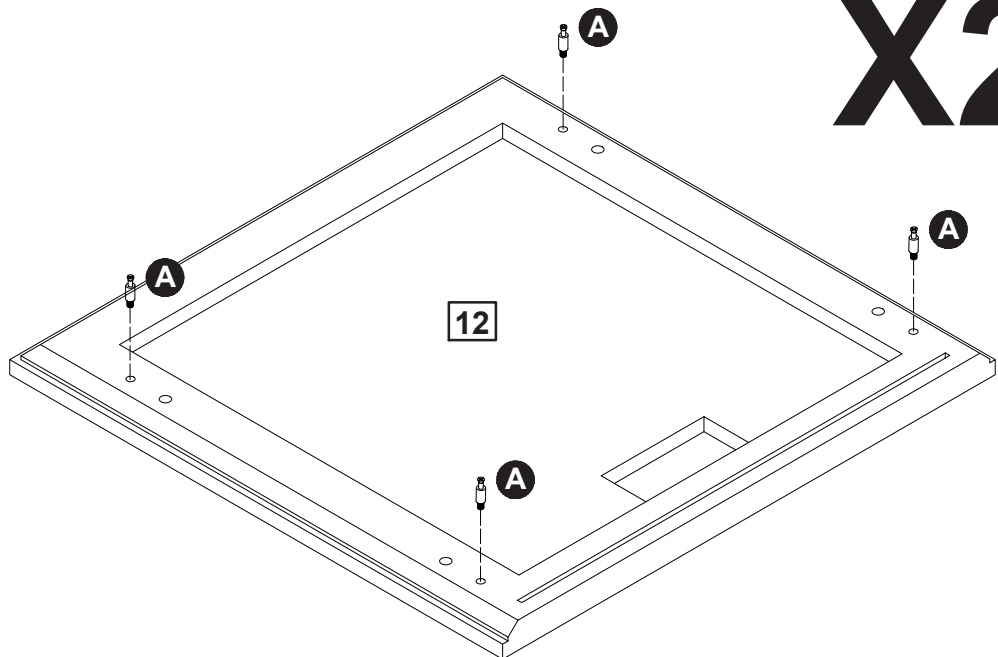
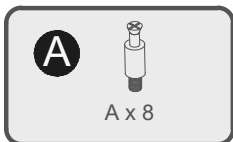
Assembly Instructions

Step 19



X2

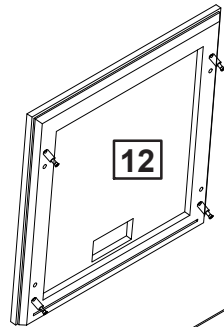
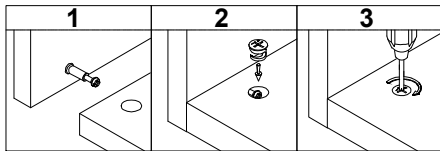
Step 20



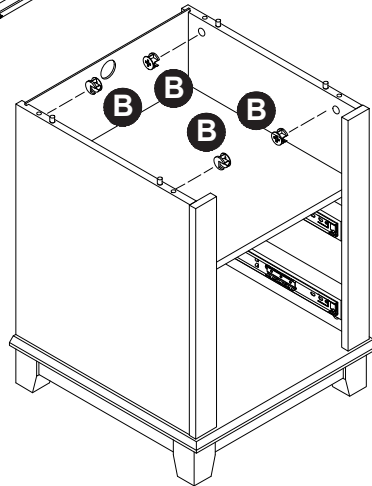
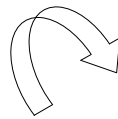
X2

Assembly Instructions

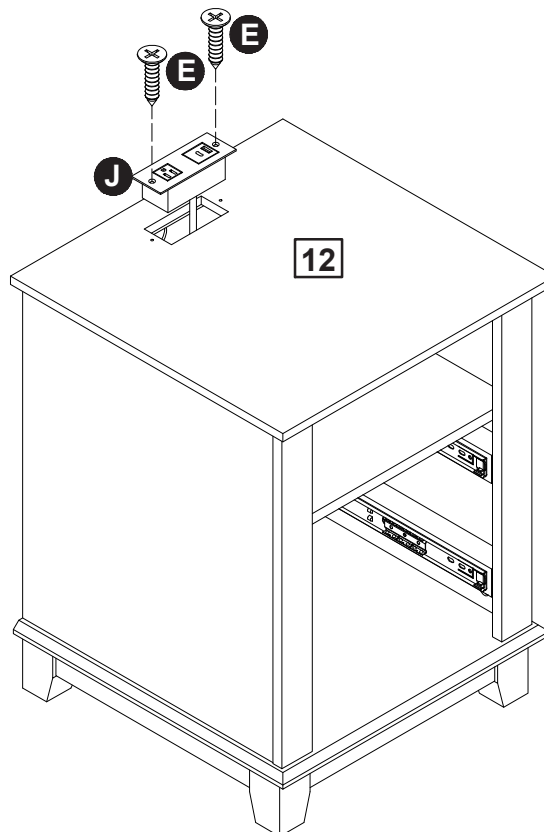
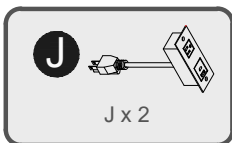
Step 21



X2



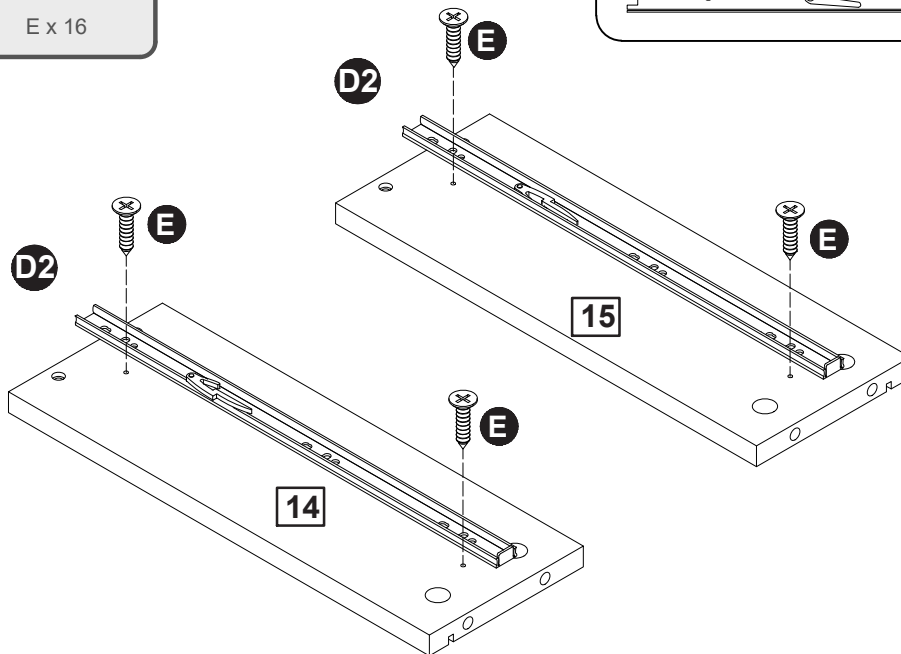
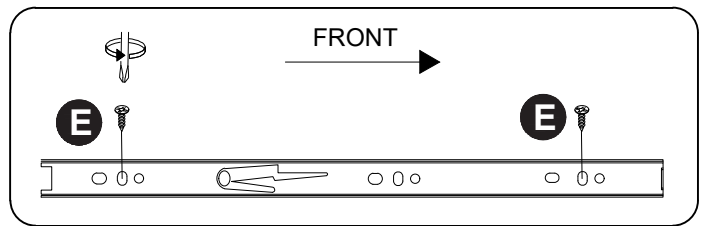
Step 22



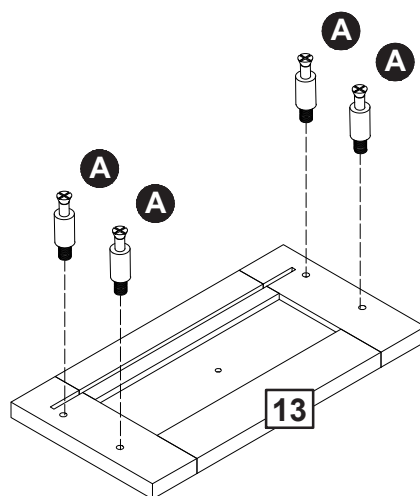
X2

Assembly Instructions

Step 23



Step 24



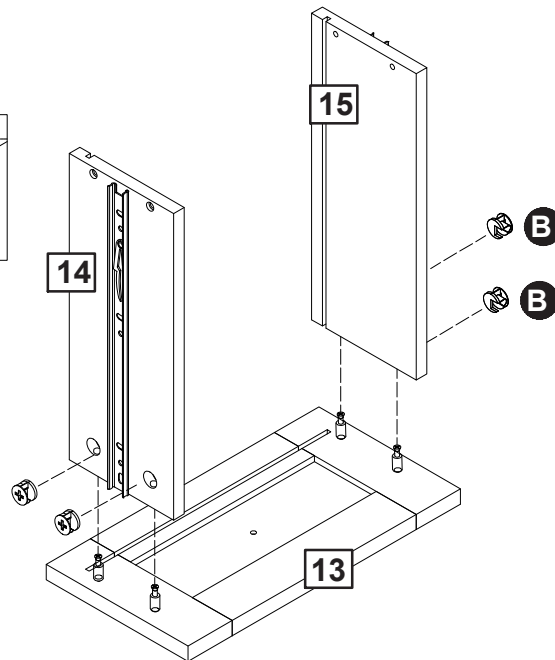
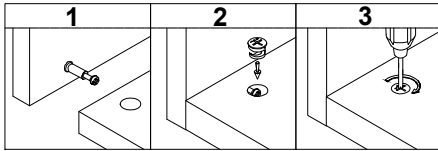
Assembly Instructions

Step 25

B

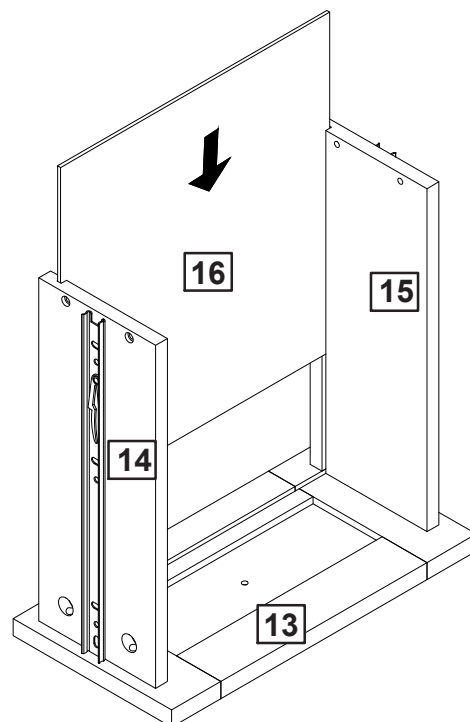


B x 16



X4

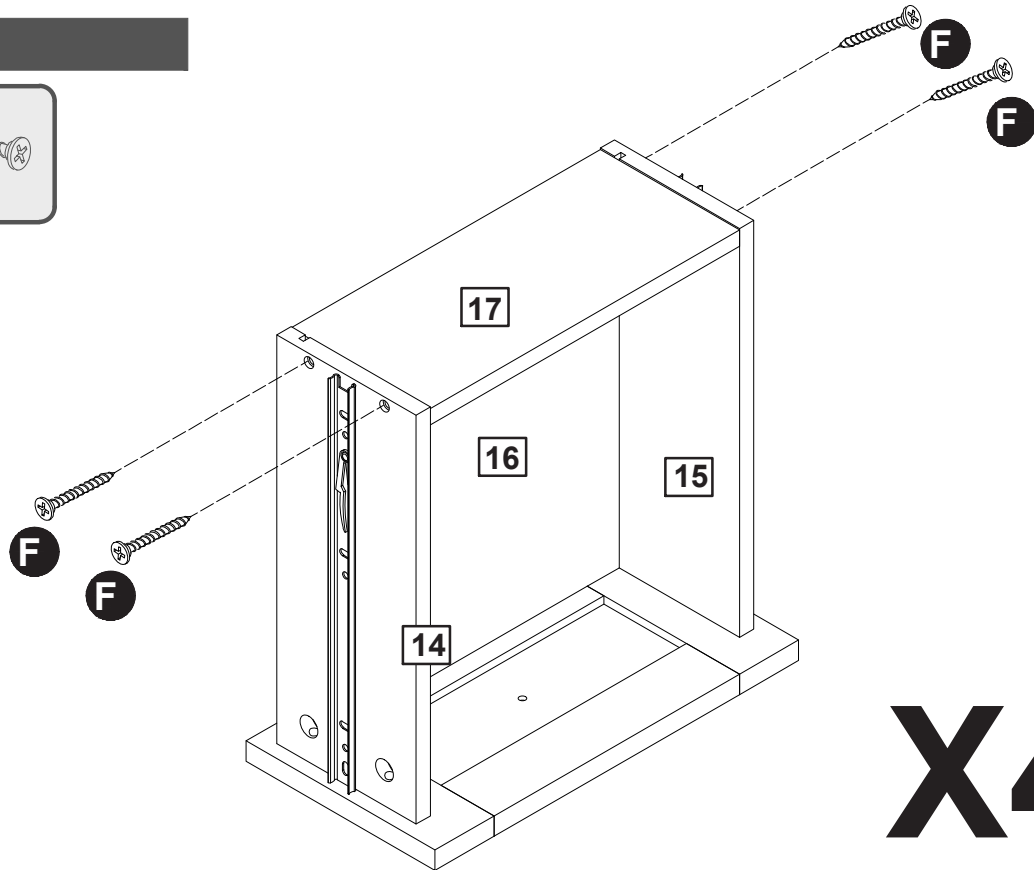
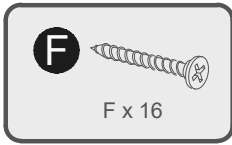
Step 26



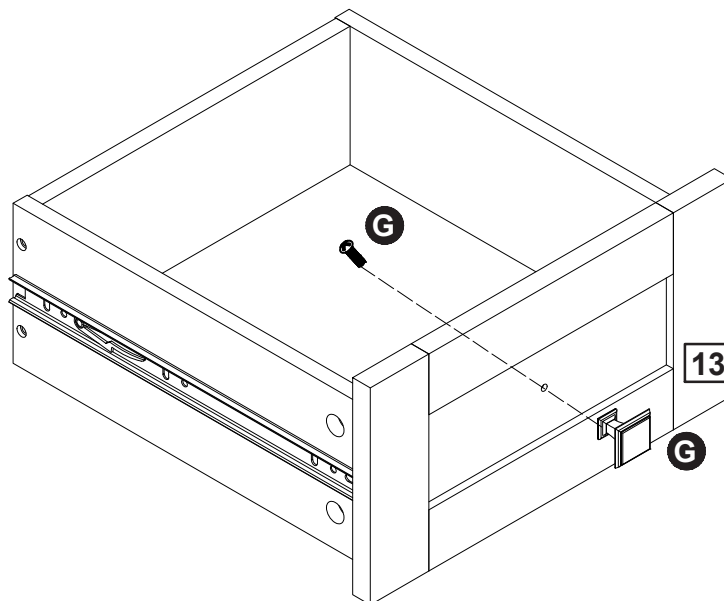
X4

Assembly Instructions

Step 27

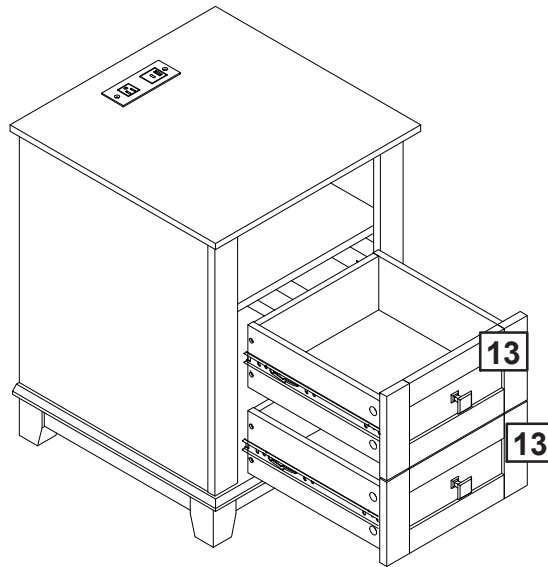


Step 28



Assembly Instructions

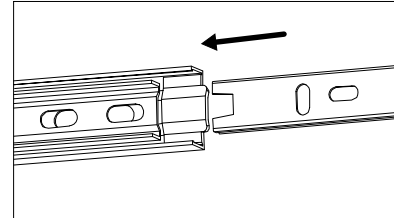
Step 29



Attention:

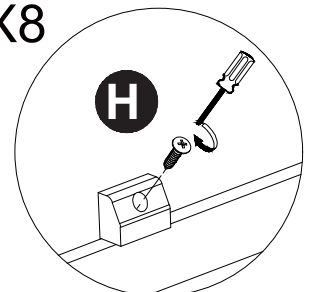
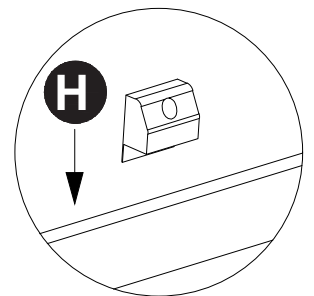
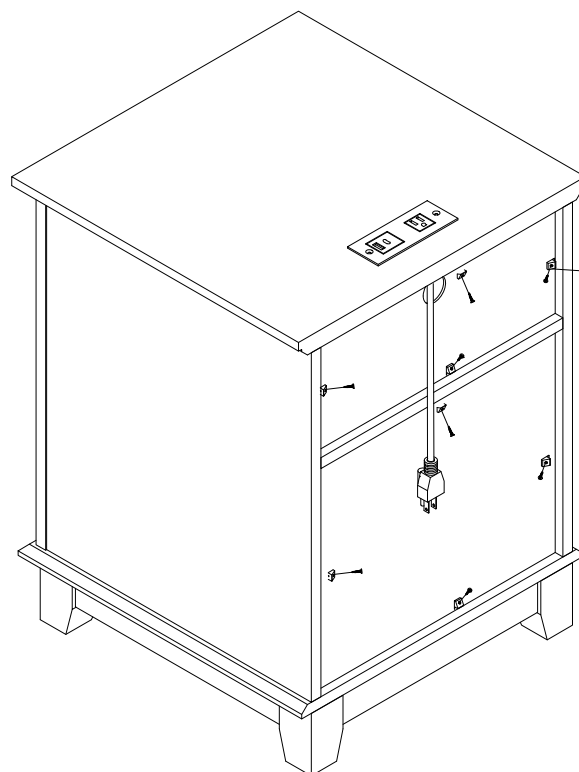
1. Align the slide runners on the drawer with the unit and push it carefully inside until it stops.

★ If the drawer does not go in smoothly please take it out and repeat the step.



X2

Step 30



H X8

X2

Assembly Instructions

Step 31



X2

Assembly is complete.