



MINIMALISM IS THE NEW NORM.

LAGOM® is registered trademarks of Inlight Co. Ltd. All Rights Reserved.

# Installation Guide



Questions, problems, missing parts?

## Halo Under Cabinet LED Fixture

Contact the customer service department at [info@lagomlighting.com](mailto:info@lagomlighting.com)

We commit to respond to emails within 24 hours - and sooner, if possible!  
We are devoted to solving problems and offering the best service to our customers.

Model #

UC0112XX27, UC0118XX27, UC0122XX27  
UC0130XX27, UC0140XX27



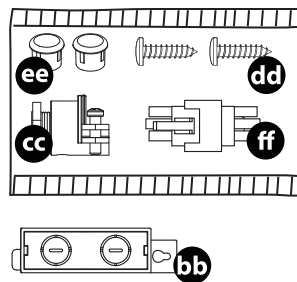
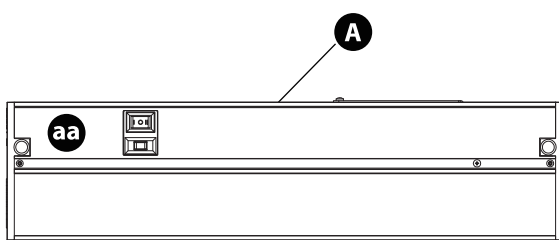
**PLEASE READ THESE INSTRUCTIONS BEFORE COMMENCING INSTALLATION AND RETAIN FOR FUTURE REFERENCE.**



**ATTACH YOUR RECEIPT HERE**

Purchase Date \_\_\_\_\_

### Package Contents



Piece	Description	Quantity
A	Fixture	1
aa	Wiring Compartment Cover	1
bb	Rear Access Cover	1
cc	Strain Relief	1
dd	Mounting Screws	2
ee	Screw Caps	2
ff	End to End connector	1

## WARNING

### RISK OF ELECTRIC SHOCK

- DO NOT USE IN WET LOCATIONS.
- USE INDOORS ONLY.
- USE ONLY INSULATED STAPLES OR PLASTIC TIES TO SECURE THE CORDS.
- ROUTE AND SECURE THE CORDS SO THAT THEY WILL NOT BE PINCHED OR DAMAGED.
- DO NOT ATTEMPT TO INSTALL WHILE PLUGGED IN.

### NO SERVICEABLE PARTS

### NON-REPLACEABLE LEDS

LED LIGHT OUTPUT IS STRONG ENOUGH TO INJURE HUMAN EYES. PRECAUTIONS MUST BE TAKEN TO PREVENT LOOKING DIRECTLY AT THE LEDS WITH UNPROTECTED EYES FOR MORE THAN A FEW SECONDS.

**FOLLOW ALL NATIONAL ELECTRIC CODES (NEC) AND LOCAL CODES.**

### RISK OF FIRE

- NOT INTENDED FOR ILLUMINATION OF AQUARIUMS.
- NOT INTENDED FOR RECESSED INSTALLATION IN CEILING OR SOFFITS.
- DO NOT CONCEAL POWER SUPPLY CORD INSIDE A WALL, CEILING, SOFFIT, KITCHEN CABINET, OR SIMILAR PERMANENT STRUCTURE.
- DO NOT RUN THE POWER SUPPLY CORD THROUGH HOLES IN WALLS, CEILING, OR FLOORS.
- NOT INTENDED FOR SURFACE INSTALLATION INSIDE BUILT-IN FURNISHINGS SUCH AS KITCHEN CABINETS, CHINA CABINETS, OR TROPHY CASES.
- DO NOT MOUNT OVER SINKS OR STOVES.
- EXTENDABLE UP TO 20 UNITS MAXIMUM. THE TOTAL WATTAGE OF ALL THE FIXTURES LINKED TOGETHER IN ONE CHAIN SHOULD NOT EXCEED 720 WATTS. EXCEEDING THE TOTAL WATTAGE WILL RESULT IN A HAZARDOUS SITUATION.

### Warranty

#### 3-YEAR LIMITED WARRANTY

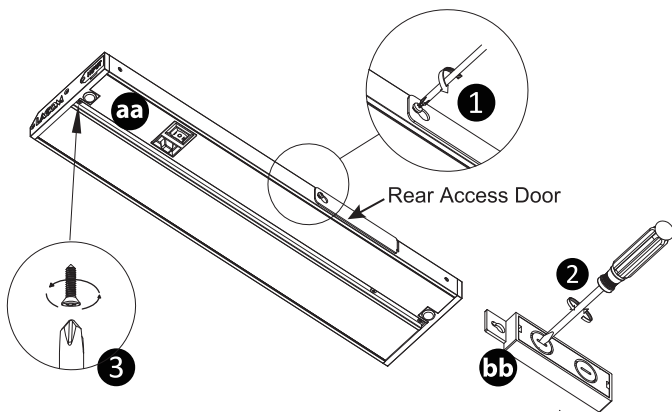
The manufacturer warrants this product to be free from defects in materials and workmanship for a period of three (3) years from date of purchase. This warranty applies only to the original consumer purchaser and only to products used in normal use and service. If this products is found to be defective, the manufacturer's only obligation, and your exclusive remedy, is the repair or replacement of the product at he manufacturer's discretion, provided that the product has not been damaged through misuse, abuse, accident, modifications, alterations, neglect, or mishandling. This warranty shall not apply to any product that is found to have been improperly installed, set-up, or used in any way not in accordance with the instructions supplied with the product. This warranty shall not apply to a failure of the product as a result an accident, misuse, abuse, negligence, alteration, or faulty installation, or any other failure not relating to faulty material workmanship. The manufacturer specifically disclaims any liability and shall not be liable for any consequential or incidental loss or damage, including labor/expense costs involved in the replacement or repair of said product.

Contact the Customer Service Team at [info@lagomlighting.com](mailto:info@lagomlighting.com) or visit [www.lagomlighting.com](http://www.lagomlighting.com).

## Hardwire via rear access door (Skip this step if using Power Cord to outlet)

### 1 Prepare the light for installation

- The **Rear Access Door** that is located in the back of the housing.
- Remove the **Rear Access Door** by loosening the locking screw and slide the keyhole slot over the screw head, until it reaches to the large end of the keyhole slot. (See **1**)
- Determine which corresponding knock-out on the **Rear Access Cover (bb)** is closest to the supply wire feed and remove it. Carefully remove the knock-out by using a flat head screwdriver, push it into the slotted hole, press and turn clockwise for about 45 degrees, the knockout cover should come off easily. (See **2**)
- Remove **Cover of Wiring Compartment (aa)** by removing screws at each end (See **3**)

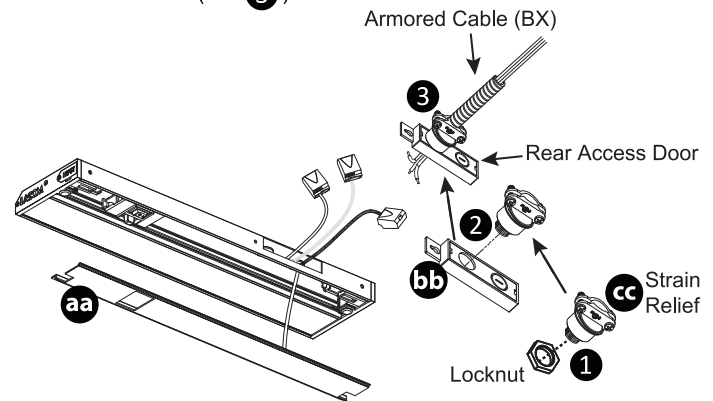


### 2 Install the Strain Relief

- Remove the **Locknut** from the **Strain Relief (cc)** (See **1**), then push the **Strain Relief (cc)** into the knockout hole on the **Rear Access Cover (bb)** and screw clockwise to lock it in place. (See **2**)

**Note:** To ensure that light is installed seamlessly under the cabinet, the strain relief needs to fit a bit loosely in the knockout hole. Simply put, position strain relief with screw heads on it facing downward when installed on fixture. It allows you to tighten/loosen the clamp screws after the fixture has been attached to the mounting surface.

- Insert the armored cable through the **Strain Relief (CC)** and tighten the clamp until it is secure. Allow enough wire length to make the connection. (See **3**)



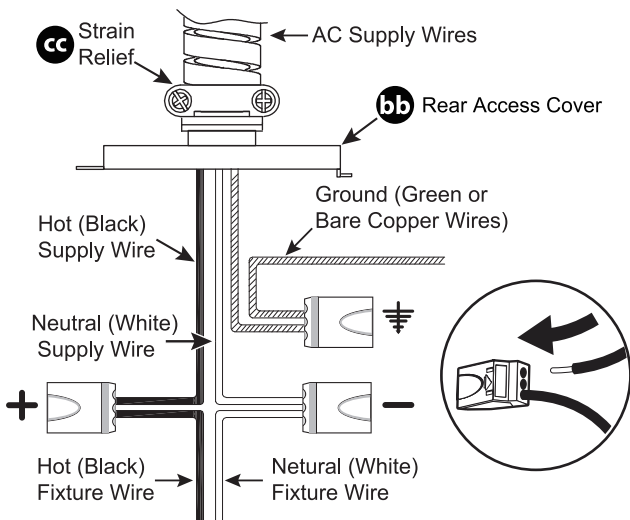
### 3 Connecting the wires

- Pull 3 wires out of the fixture to allow connection to the branch circuit. Wire nuts suitable for #12-24 AWG solid core wire.
- Strip back jacket on AC supply wires 3/8" and use push-in wire connector to connect wires (BLACK to BLACK, WHITE to WHITE and GREEN to GREEN/BARE COPPER).

**WARNING:** DO NOT MIX WIRES OR CHANGE POLARITY.

**Note:** If removal of supply wire is required, twist and pull until wire releases. Do NOT attempt to remove pre-installed, fixture wiring.

- Ensure the connectors are spliced tightly and carefully push the spliced wires back into the wire compartment.

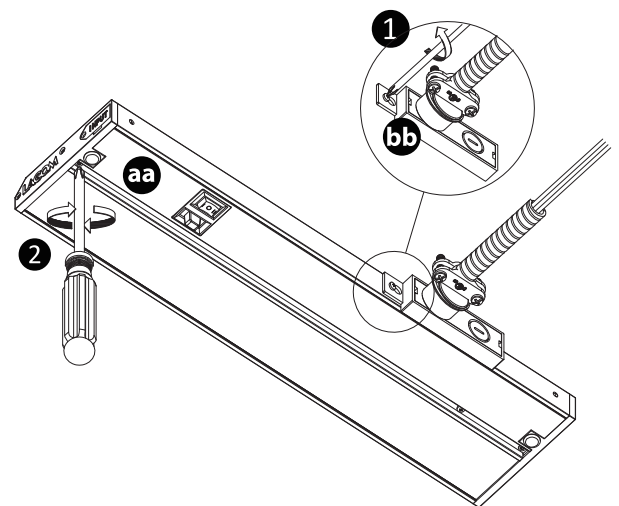


### 4 Attach the Rear Access Cover to the fixture

- Attach the **Rear Access Cover (bb)** by reversing the removal instructions of **Rear Access Door**. (See **1**)
- To re-attach the **Wiring Compartment Cover (aa)**, tuck all the wires into the wiring compartment, then place the **Wiring Compartment Cover (aa)** to the fixture and attach with two screws. (See **2**)

**WARNING:** ENSURE ALL THE WIRES AND CONNECTIONS ARE SEALED PROPERLY INSIDE THE FIXTURE WITHOUT "PINCHING" ANY WIRES.

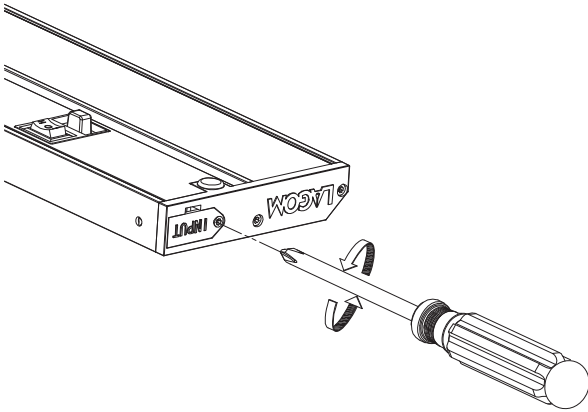
- Turn on the electricity at the circuit breaker or fuse box.



## Plug-in Installation (Skip this step if using Hardwire Installation)

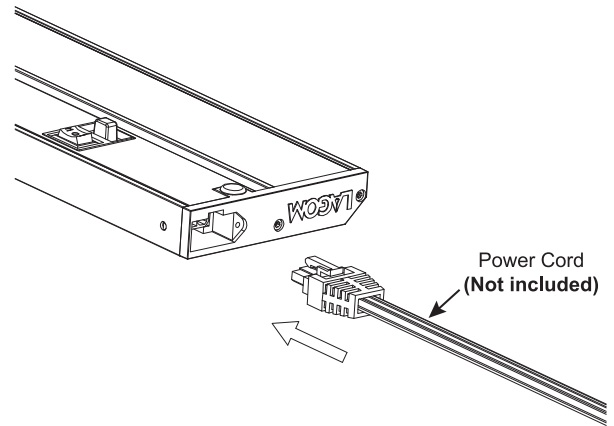
### 1 Preparing the light for installation

- The Power Cord **NOT** included (**Sold Separately**). Visit Lagom Lighting Website to order the Power Cord. The Power Cords are available in 6 ft.
- Remove the screws on the plastic receptacle cap that covers the "INPUT" receptacle in order to insert the Power Cord.



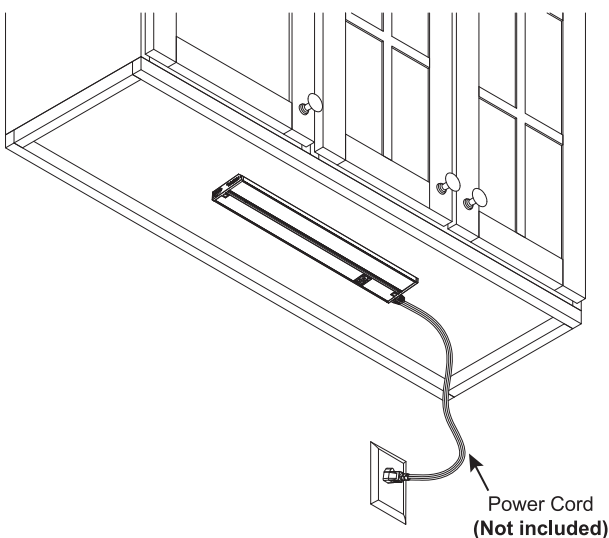
### 2 Securing the Power Cord

- Attach the Power Cord to the "INPUT" receptacle on one end of the fixture. The Power Cord will only connect to the "INPUT" receptacle, so make the right receptacle is identified. The 2 receptacles are designed to only accept a specific plug. Do not force connection, it should snap in easily.



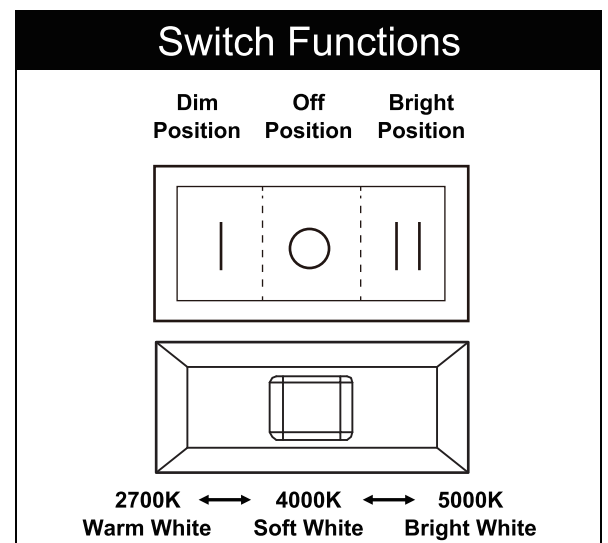
### 3 Plug the Power Cord into the power supply

- Follow the directions for **Mounting** on page 4.
- Once mounting is completed, plug the Power Cord into the 120VAC/60Hz power supply.
- The unit can now be turned on with the power switch.



### 4 Operating Instructions

- Low / OFF / High Switch controls illumination.
- CCT Selection Switch is a three-position switch that will adjust Color Temperature between 2700K, 4000K, or 5000K.



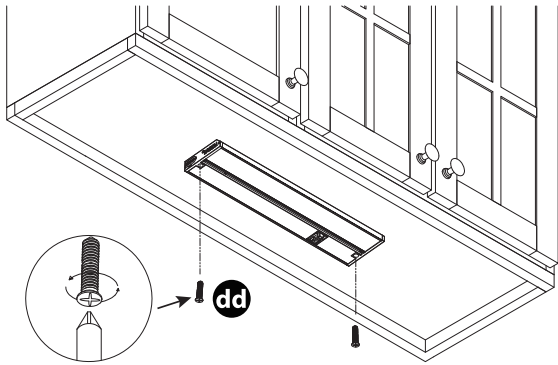
## Mounting Installation

### 1 Mount the light fixture

- Attach the light to the desired surface using the fixture **Mounting Screws (dd)**. Tighten the screws securely.

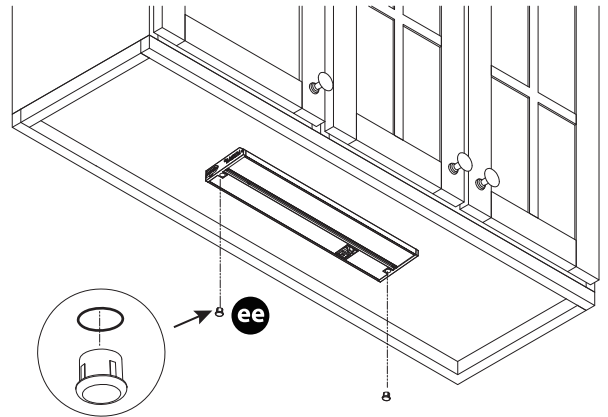
**Note:**The fixture mounting screws are suitable for cabinet bottoms 1/2 in. or thicker. Use shorter screws for thinner cabinet bottoms.

**Note:**In some installations it may be desired to drill a pilot hole for the screws. Place the fixture in the desired position and drive mounting screws a small amount to impart a little to leave a mark on the cabinet bottom for drilling. Using a 1/16" drill bit to drill the pilot holes for the screws.



### 2 Attach the screw caps and check installation

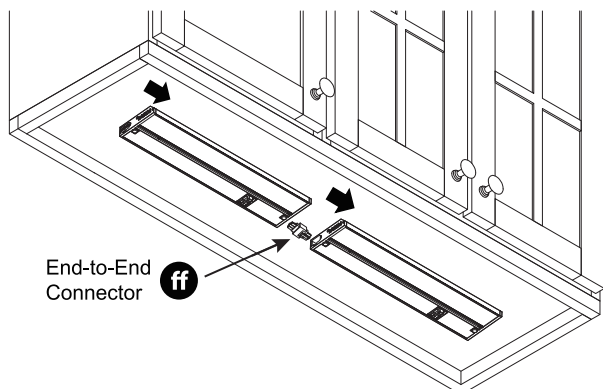
- Install the 2 **Screw Caps (ee)**.
- Restore power to the electrical circuit at the service panel and check installation.
- Turn on the switch to light the fixture.



## Joining multiple fixtures

### 1 Installing fixture to fixture

- First fixture in series can be corded or hardwired. Once the first fixture is mounted, you can install the next fixture in the chain. Remove the screws on the plastic caps that cover the power ports on the fixtures.
- The supplied **End to End connector (ff)** is fitted with a distinct cord connector plug at each end and will only connect one way. Try inserting one end of the **End to End connector (ff)** into the power port of the new fixture, if that fails try the other end of the **End to End connector (ff)**. Do not try to force the plug into the port.
- Align the **End to End connector (ff)** on end of new fixture with connector on end of existing fixture.
- Push new fixture to existing fixture until fixtures are flush and connectors snap together. Fixtures should fit fully and squarely end-to-end when mounting is complete.
- Drive **Mounting Screws (dd)** into cabinet surface until new fixture is secure. If this will be an end fixture in a run, use connector cover over any connector not being used.



### 2 Installation instructions using Interconnect Cable

- The Linking Cord **NOT** included (**Sold Separately**). First fixture in series can be corded or hardwired. Visit Lagom Lighting Website to order the Linking Cord. The Linking Cords are available in 12 in. and 32 in.
- Refer to Mounting Installation on Page 4 for the mounting of the fixtures. Remove the screws on the Plastic Caps that covers the power ports on the fixtures.
- Connect the Linking Cord to the **"OUTPUT"** receptacle of the first fixture and into the **"INPUT"** receptacle of the second fixture.
- The Linking Cord is fitted with a distinct cord connector plug at each end and will only connect one way. Try inserting one end of the Linking Cord into a power port (input/output receptacle), if it fails to connect, try the other end. Do not try to force the plug into the port. Make sure the plugs on both ends are fully inserted into ports on both fixtures.
- If this will be an end fixture in a run, use plastic cap to cover any connector not being used.

