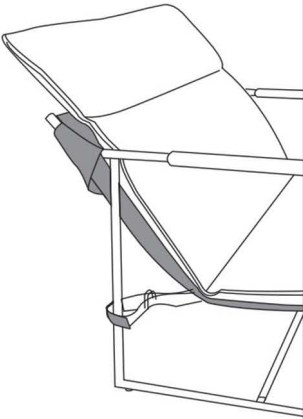


Owner Manual



WARRANTY

We strive to offer high quality product and we also try our best to satisfy each customer that order from us, no matter on products or services as needed. Each customer receives a record of their order, such as the order number or item receipt. For any items that are out of warranty period, you may still be able to purchase the replacement parts from our company if they are available.



MAINTENANCE AND WARNING

Please read the manual thoroughly
before you start installing.

Please keep the product away from
sharp object.

Packaging and small parts may have
chocking hazard, please keep them away
from children and pets.

Please clean the product according to each
clean code, check the product description
for more information.

Please keep the product away from
fire.

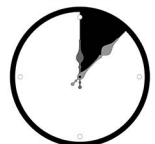
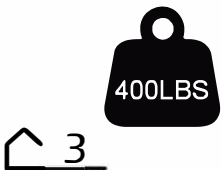
If you have any other questions, please
contact us, we will be glad to help you out.

If the product is placed under direct
sunlight, the pattern or color might fade
away overtime.

Check the product periodically to make
sure everything is secured and tightened.

Always use proper tools for installation.

Do not jump on the product.



PRODUCT DESCRIPTION

Lounge chair is built to last, featuring a reinforced metal frame that guarantees stability and longevity.

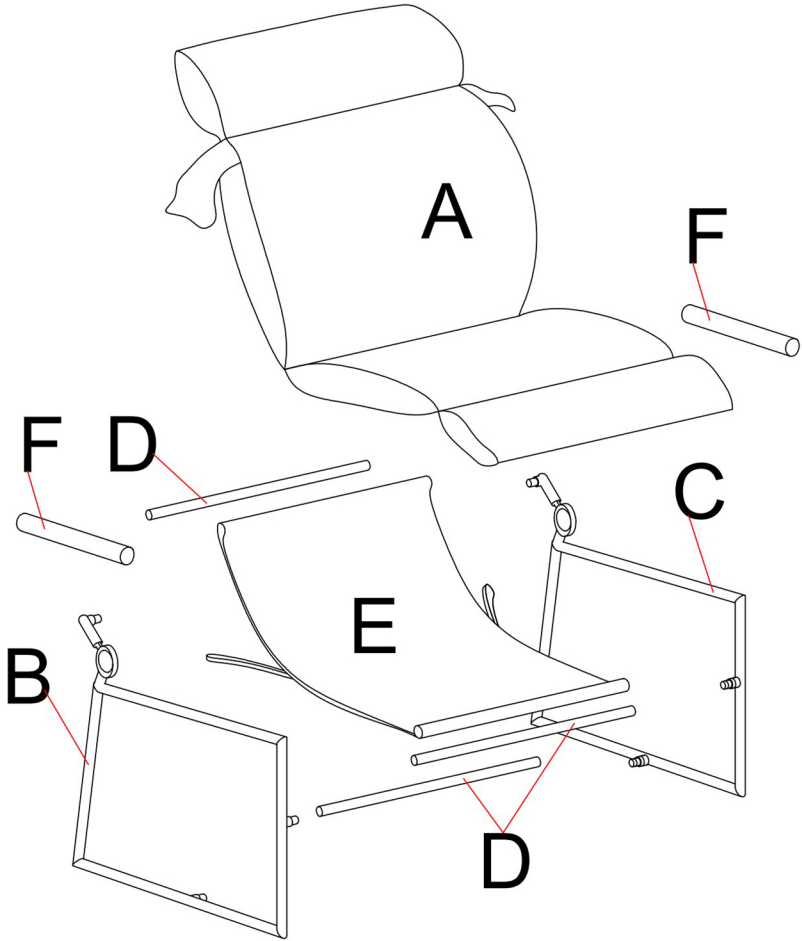
The 7.8-inch-thick ultra-soft seat cushion offers perfect leg support, while the foam-padded backrest ensures lasting comfort. The soothing design makes it a perfect addition to any living space.

To maintain the chair's pristine condition during shipping, the cushions are vacuum compressed.

The top of the frame is adjustable; however, avoid rotating the joint to a 90° angle, as this will disable the adjustment feature.

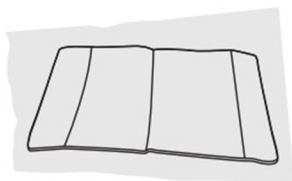
The comprehensive packaging includes all necessary components, tools, and step-by-step instructions, conveniently packed into one box for a hassle-free assembly experience.

EXPLODED VIEW



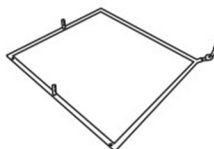
PARTS

Ax1



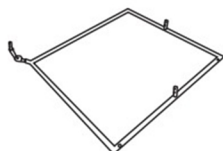
Chair cushion

Bx1



Right Armrest

Cx1



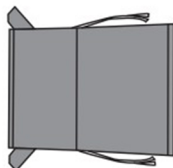
Left Armrest

Dx3



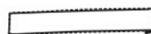
Metal bars

Ex1



Cushion Support

Fx2



Armrest Covers

HARDWARE

TOOL LIST

NOTE: Designated with (★) We provide additional spare parts in the hardware package

① x12



★ M6* 10MM
Bolt

② x1



Allen key

③ x1

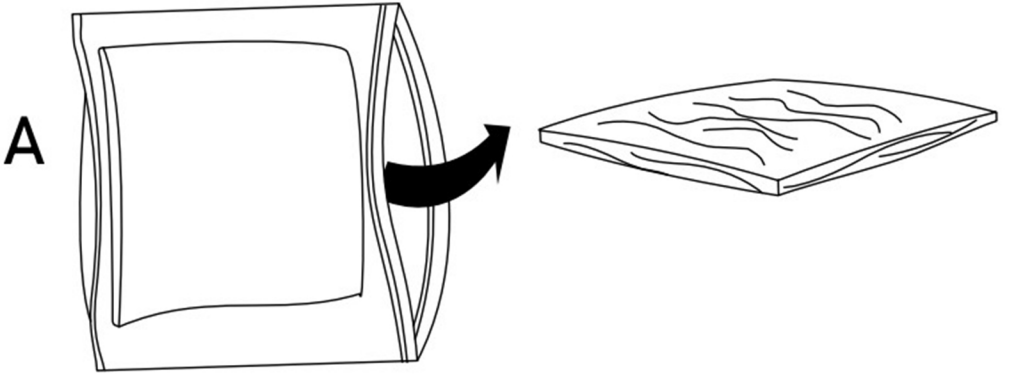


★ Plastic foot pad

Please make sure all hardware&packing material fitting the list.
Especially some small accessories may be missing during transportation. Please contact us if you have any question.

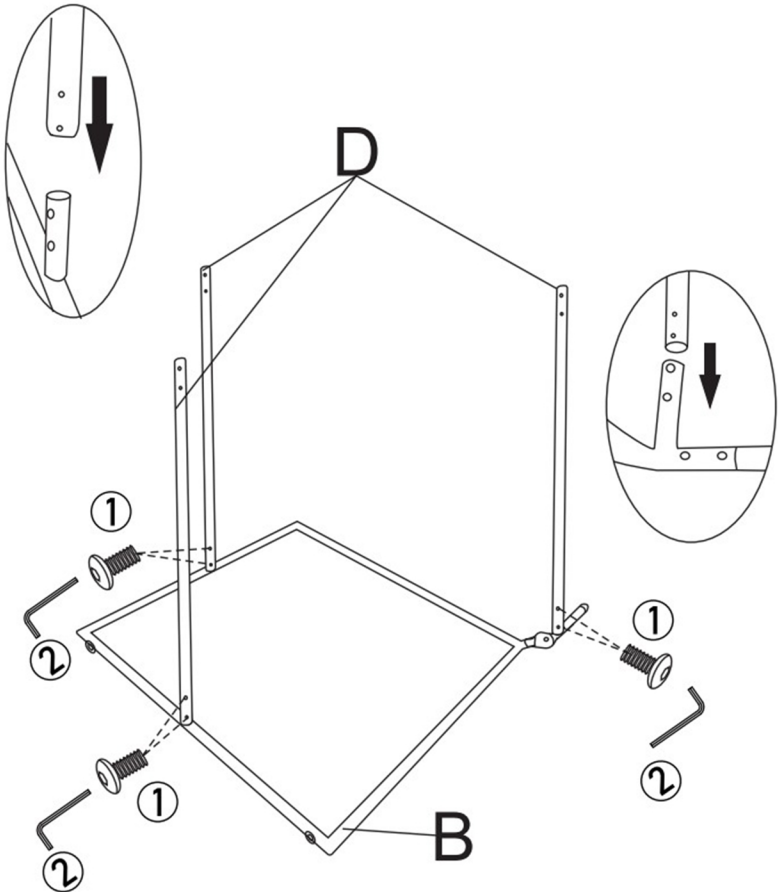
step 1

Take the chair cushion (A) from the vaccum bags, let it expand for about 24 hours



step 2

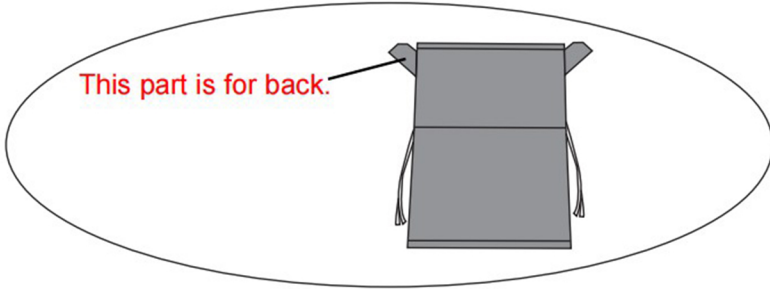
Place the right armrest (B) on clean padded surface. Connect the metal bars (D) and armrest (B) by aligning the settled holes. Tighten with bolts ① and allen key ② .



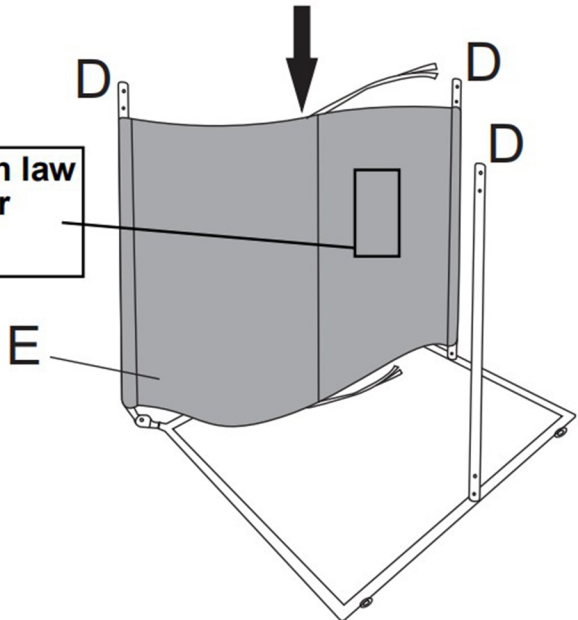
NOTE: When screw the bolts, don't tighten completely, but only for 50%.

step 3

Turn the assembled part on last step aside, insert the metal bars (D) into the long fabric tubes on cushion support (E).

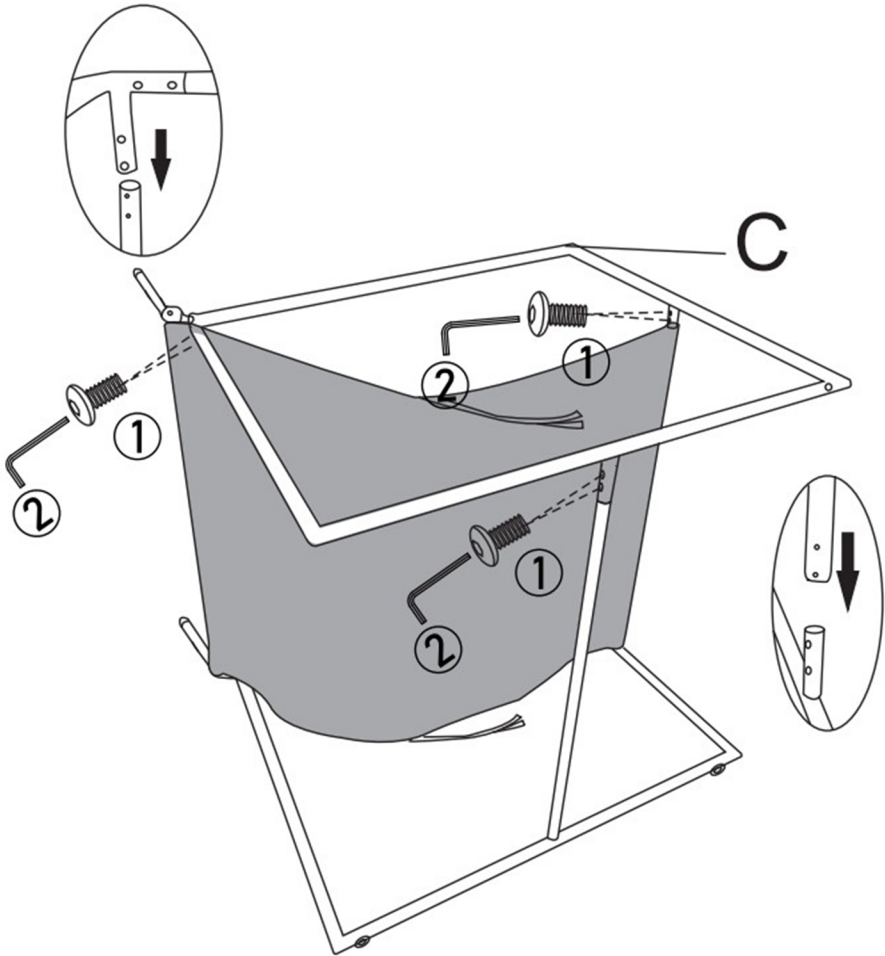


NOTE: This side with law label is under the surface.



step 4

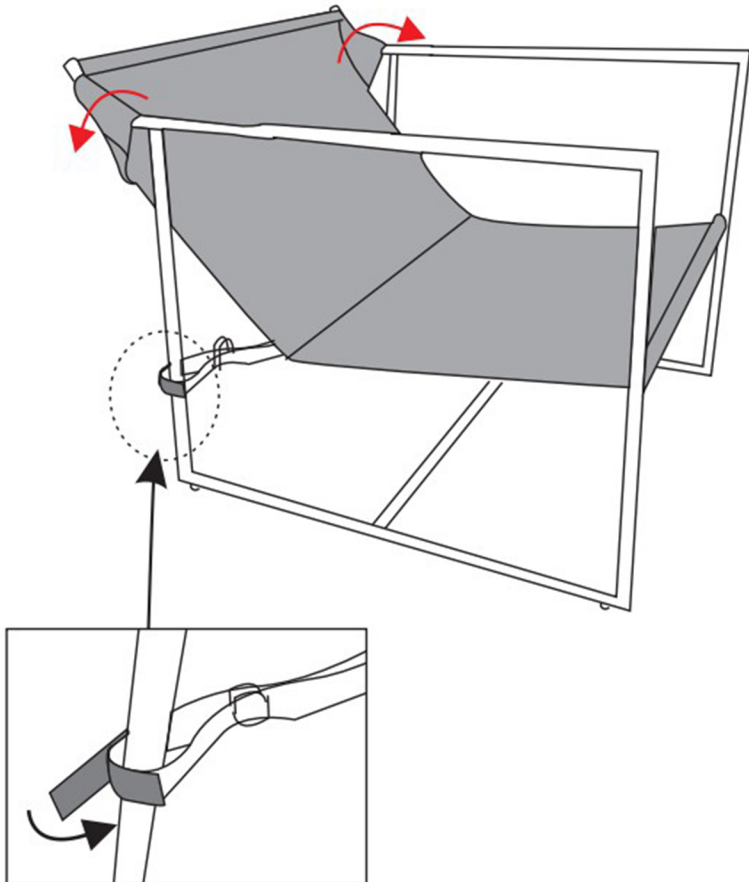
Connect the metal bars (D) and left armrest (C) by aligning the stettled holes. Tighten with bolts ① and allen key ②.



step 5

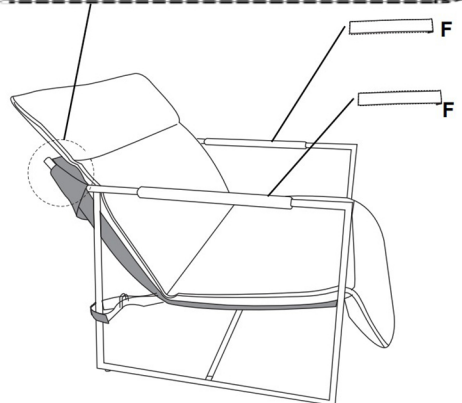
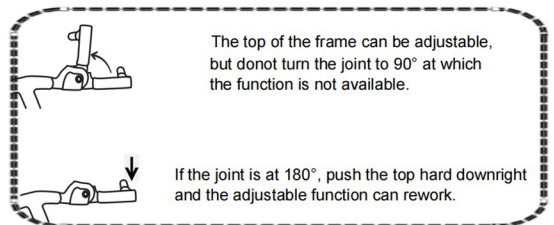
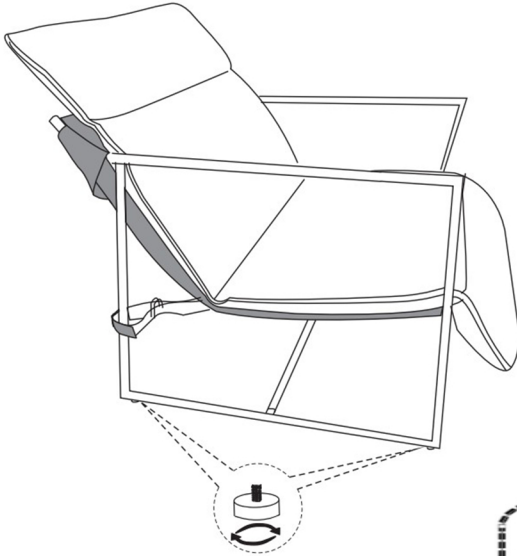
Stick the velcros on the sides of cushion support on the metal tubes of armrests. Tighten the string in circles and stick the both parts of velcro as instruction.

Connect the string on the cushion support (E) with the rear direction of arrows as instruction.



step 6

Put on the seat cushion (A) and back cushion (B) accordingly. Take out the armrest covers (F) and zip it on the armrests (B) and (C) as instruction.



step 7

Assembly is completed.

