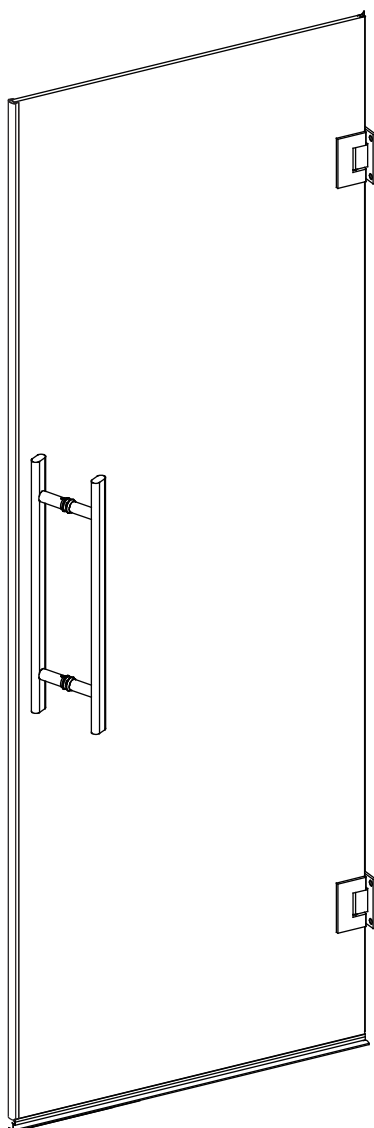


# INSTALLATION INSTRUCTIONS

---

## FOR SHOWER DOOR AND BATHTUB DOOR



**TMW3072-MB**  
**TMW3072-F-MB**

**FINISH :**

**CH**-Chrome    **BN**-Brushed Nickel    **MB**-Matte Black

---

## ◆ General Information

Inspect the product immediately upon receipt for transit damage, missing packs/parts or manufacturing fault. Damage reported later will not be accepted. Handle the product with care avoiding knocks and shock loading to all sides and edges of the glass.

## ◆ Notes: Safety glass can not be re-worked

Read these instructions carefully before start of installation.

Special care should be taken when drilling walls to avoid hidden pipes or electrical cables.

**Note:** This product is heavy and may require two people to install.

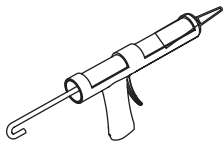
## ◆ Aftercare instructions

After use, your shower should be cleaned with soap and water. This is particularly important in hard water districts where insoluble lime salts maybe deposited and allowed to build up. Cleaners of a gritty or abrasive nature should not be used. Care should be taken to avoid contact with strong chemicals, they can be used but with caution, if in doubt contact the manufacturer of the cleaner in question.

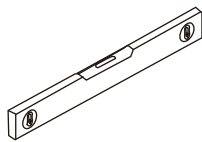
Keep these instructions for aftercare and customer service details.

---

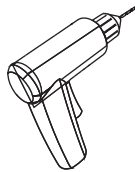
## Tools Required



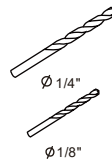
Silicone



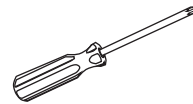
Level



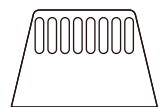
Drill



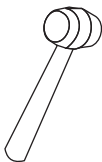
Drill Bit



Screwdriver  
(Phillips)



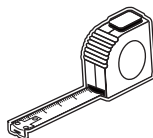
Sealant  
Finishing Tool



Mallet



Pencil



Tape Measure



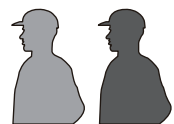
Allen Wrenches



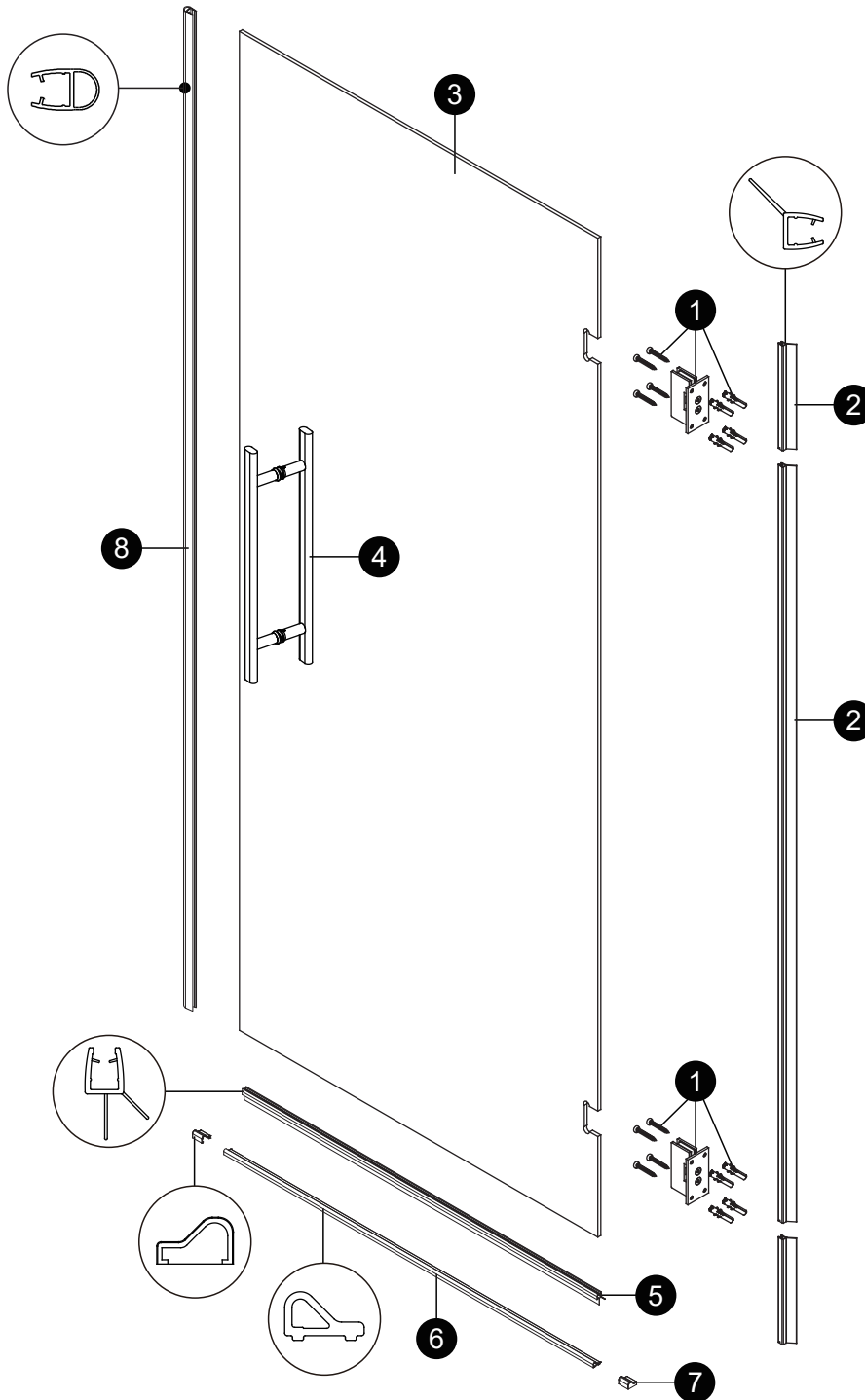
Painters  
Tape

**Tips:** Measure the finished opening before proceeding with the installation to be sure that the correct model size has been ordered.

**Note:** These instructions will show the installation of the shower door. Please follow the same steps for the installation of the tub door.



# PARTS LIST



## PACKING LIST

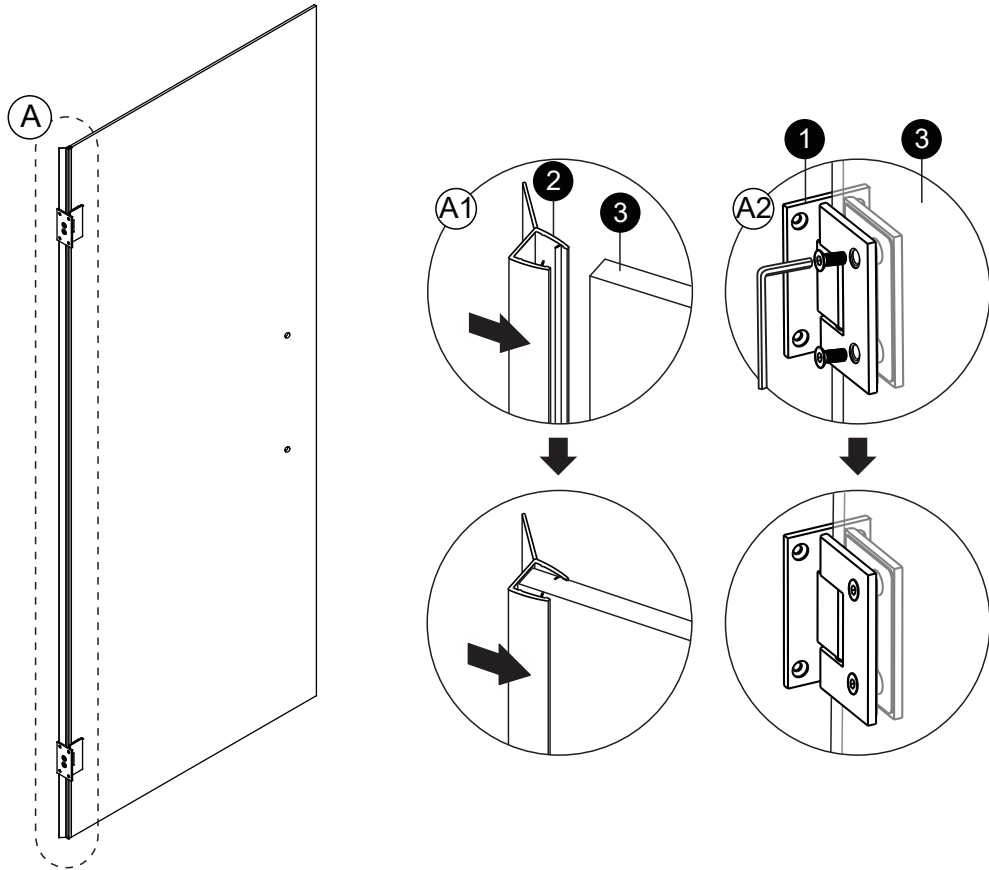


Keep small parts away from children

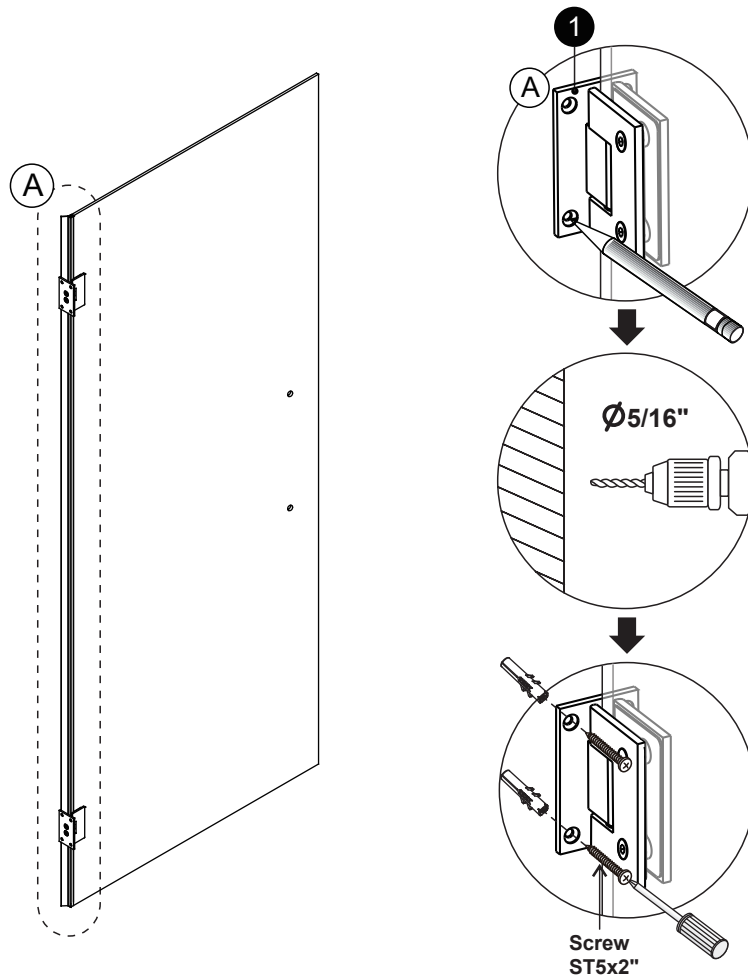
PART #	DESCRIPTION	Q'TY	PART #	DESCRIPTION	Q'TY
1	Hinges x 2	2set	4	Handle	1pc
	Wall Plug x 8		5	Gasket-B	1pc
	Screws ST5x2" x 8		6	Drip Rail	1pc
2	Gasket A	3pcs	7	Drip Rail Cap(L/R)	1set
3	Door Panel	1pc	8	Gasket-C	1pc

# INSTALLATION STEPS

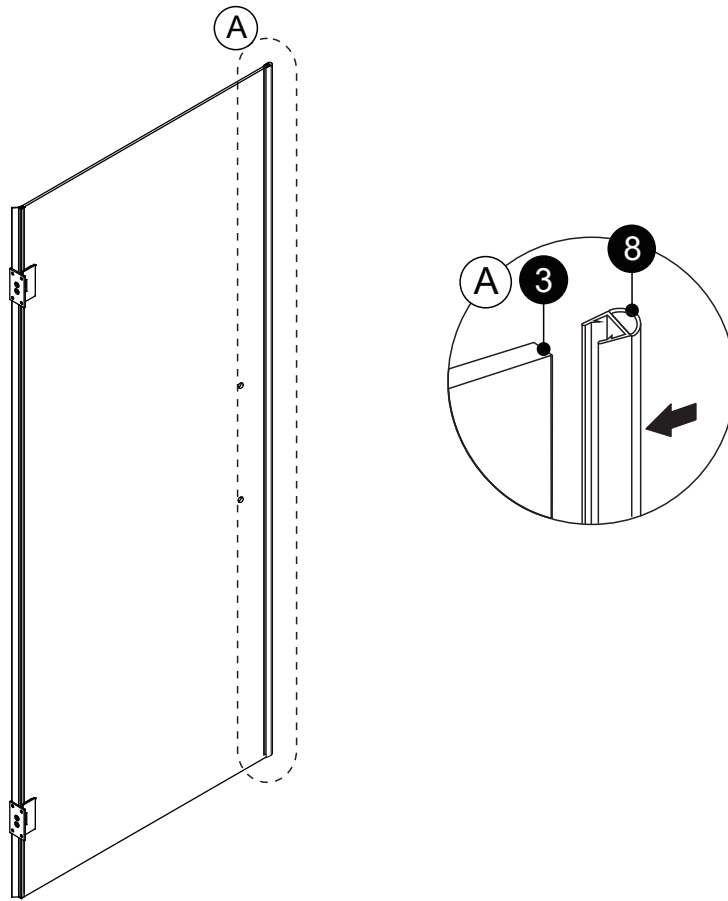
## STEP 1



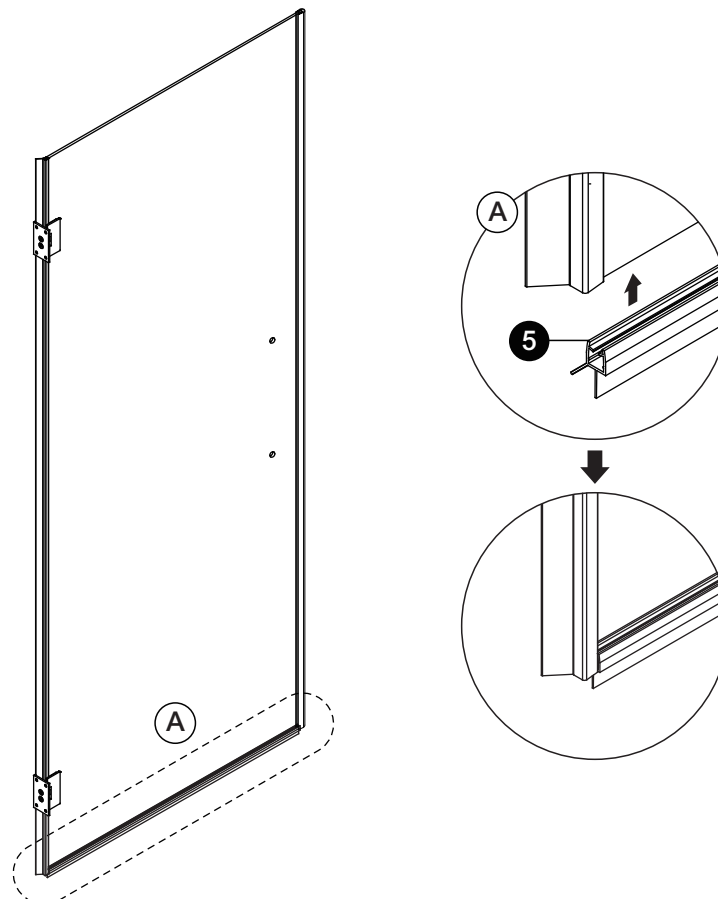
## STEP 2



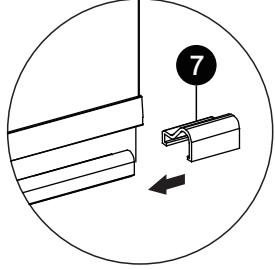
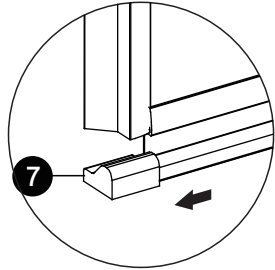
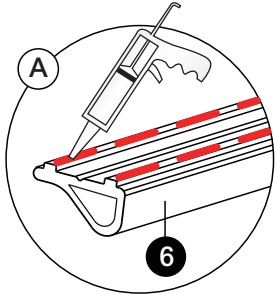
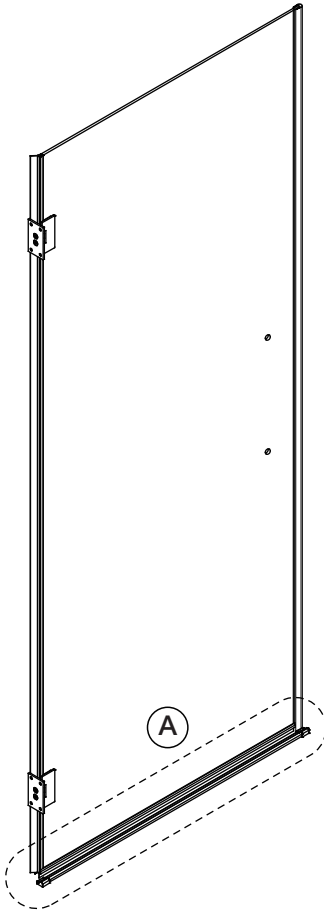
### STEP 3



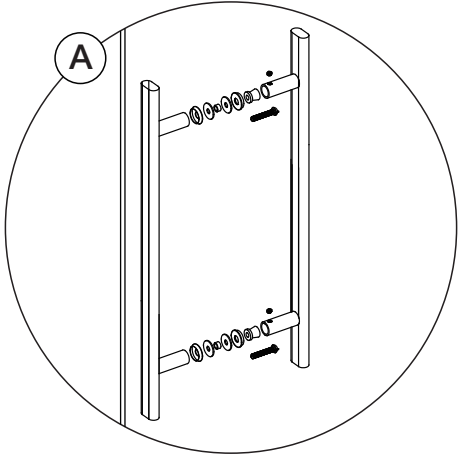
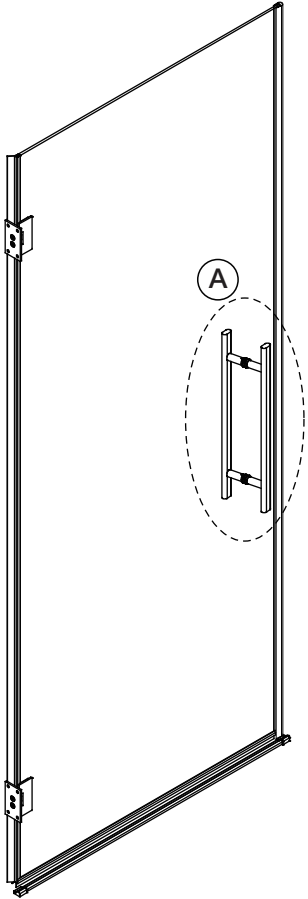
### STEP 4



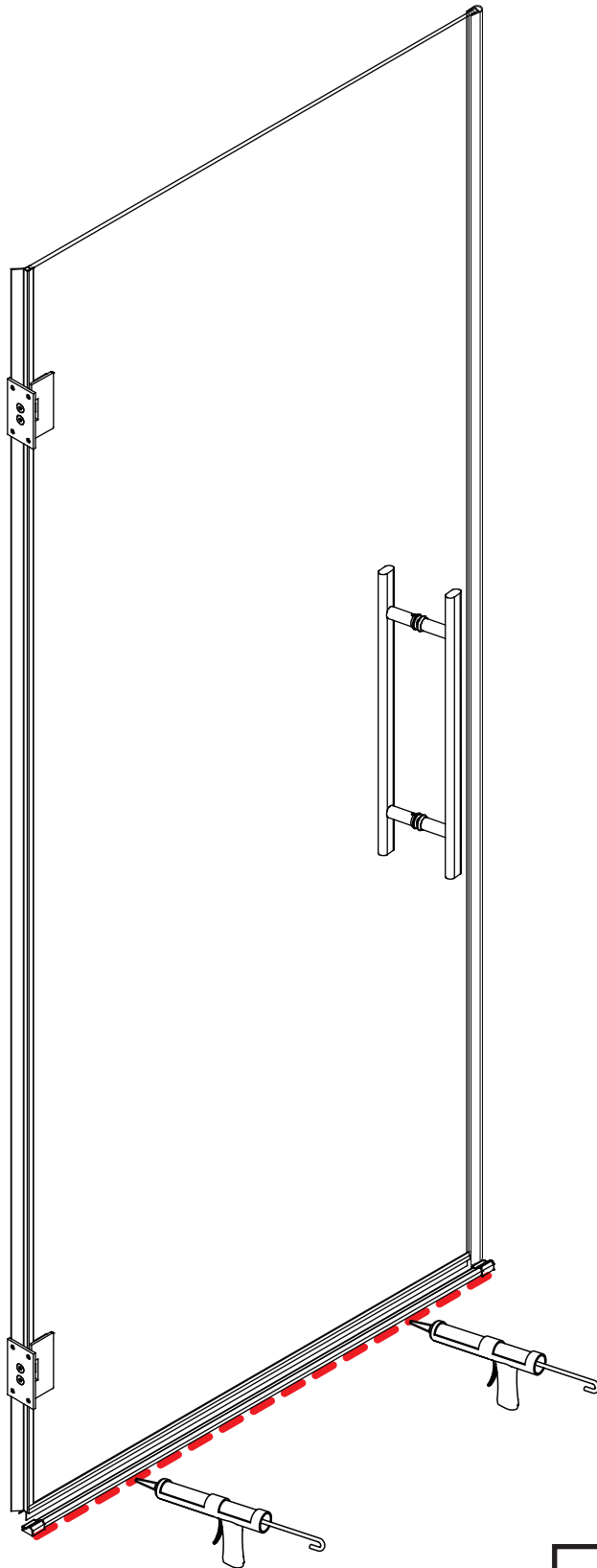
**STEP 5**



**STEP 6**



## STEP 7



**24 HOURS**

Apply clear silicone caulking along the wall and threshold of the shower door inside and outside.

(make sure you ) wait 24hours before using the shower. Do not allow water to directly hit door.