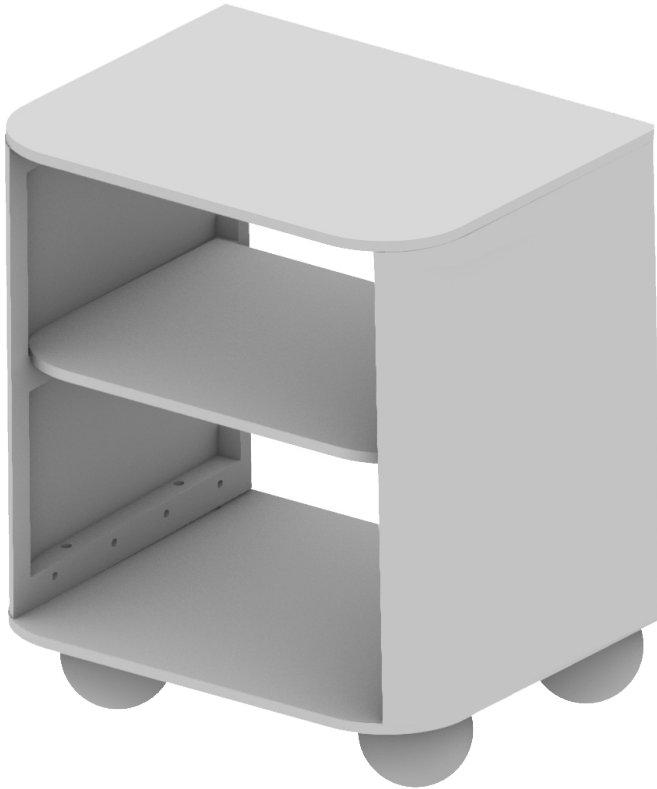


Owner Manual



15 : 00

estimated assembly



2 or more

people required

Ok, let's
get started!



- Put on mood music!
- To prevent damage to product, use the clean side of package carton or rug as working surface.
- In the event of missing or damaged parts, delivery problems etc., please reach out to our team.
We will be happy to fix the problem!

care guide

- Clean regularly with a soft and dry cloth.
- To protect finish, avoid use of abrasive cleaners.
- Wipe up spills immediately. Please!



product parts



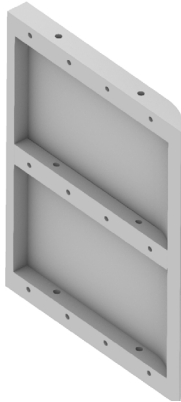
A
Table Top



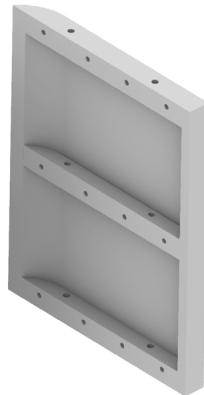
C
Shelf



D
Bottom



B1
Right Panel

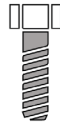


B2
Left Panel

what's included



(E)- Plain Washer
(8x16)
x12 Pcs



(F)- Bolt
(6x25)
x12 Pcs



(G)- Allen Key
(5mm)
x1 Pc

GS

Green sticker

OS

Orange sticker

assembly instructions

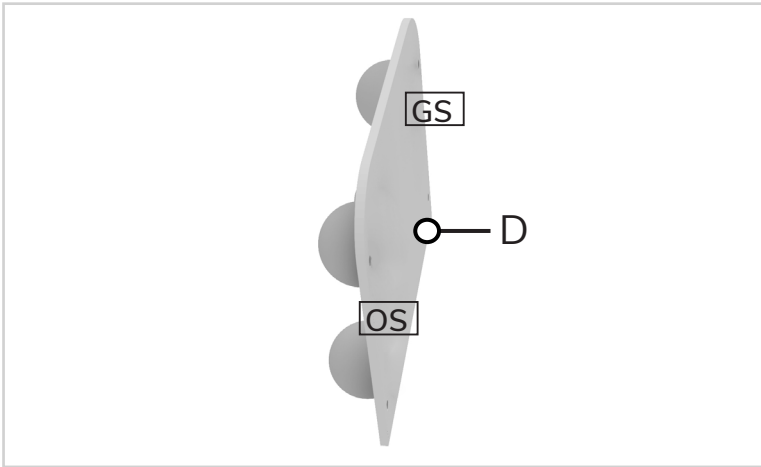
Friendly Tip: Take a deep breath going in. This may be a tricky part, but nothing too overwhelming. Just follow these steps to the T and the outcome will be worth it!



- ⓘ While assembling the product, tighten the bolts up to 50%. Once all parts are in place, only then fully tighten the bolts.

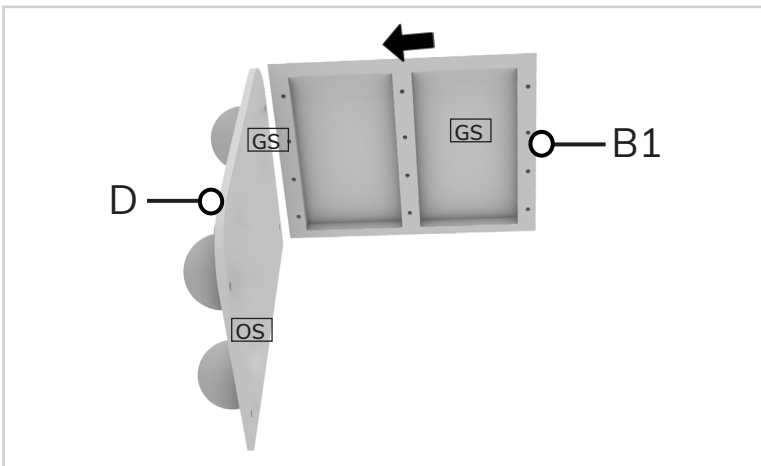
step 1:

Start by placing the bottom (D) on a flat surface.



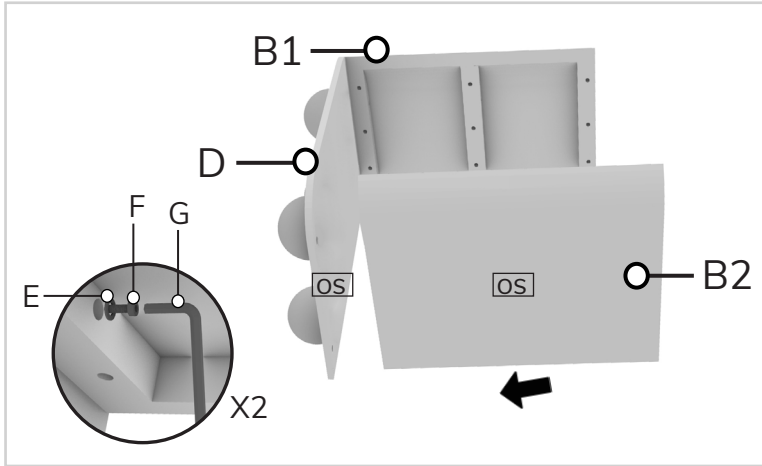
step 2:

Place the left panel (B1) on the interior of the bottom (D) and align the pre-drilled holes at bottom (D) with the holes on the left panel (B1).



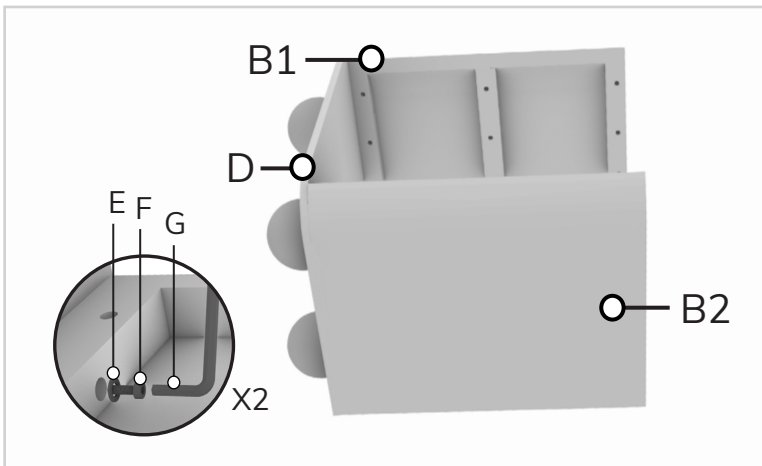
step 3:

Now, using the image as reference, fix the left panel (B1) by inserting a plain washer (E) and bolts (F) in the given slots. Tighten the bolts using allen key (G).



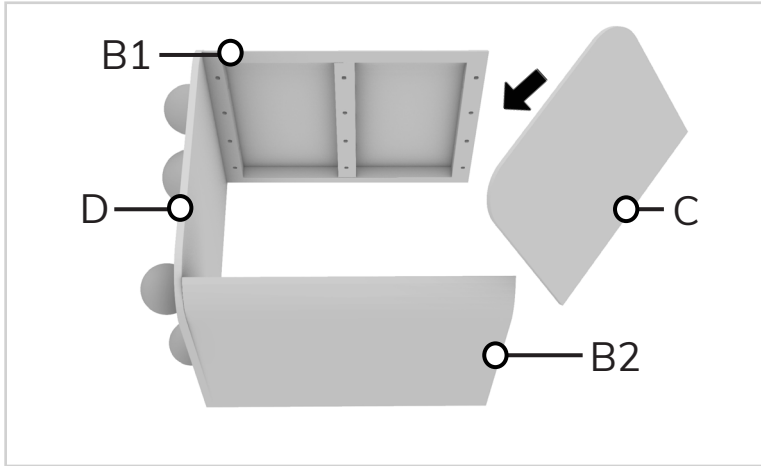
step 4:

Repeat steps 2 & 3 with the right panel (B2). Ensure that the stickers on the panels match to those on the bottom.



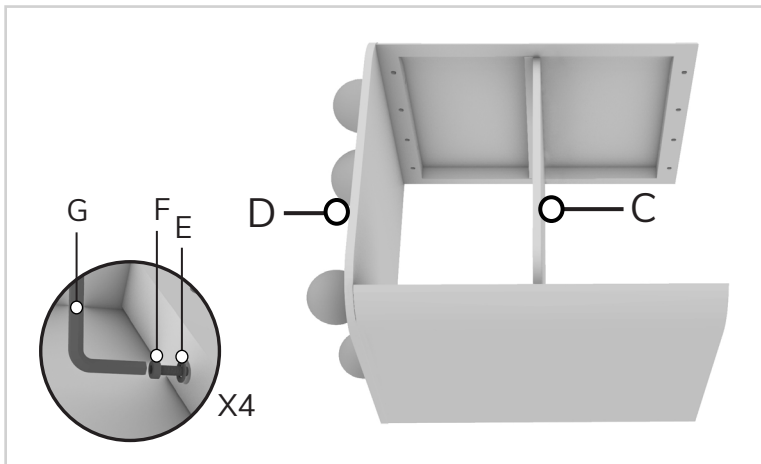
step 5:

Next, place the shelf (C) between the left panel (B1) and right panel (B2).



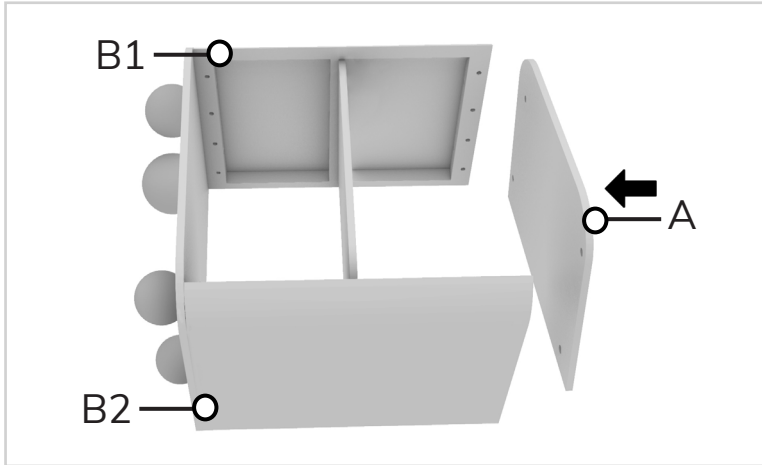
step 6:

Fix the shelf (C) between the left and right panel by inserting a plain washer (E) and bolts (F) in the given slots. Tighten the bolts using allen key (G).



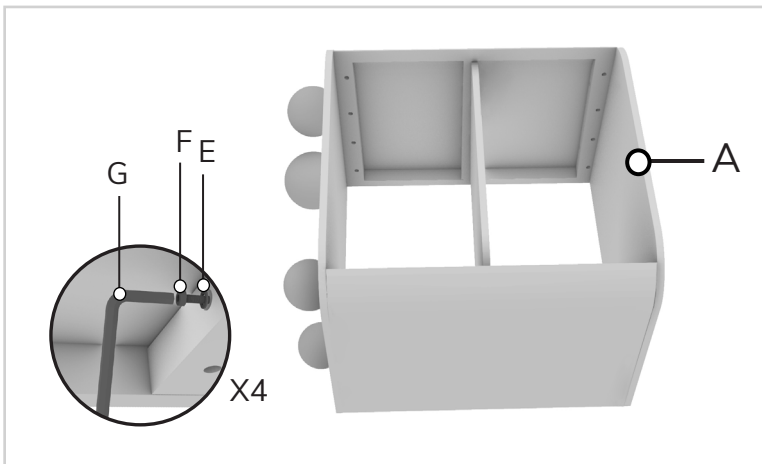
step 7:

Now, place the top (A) on left panel (B1) and right panel (B2).



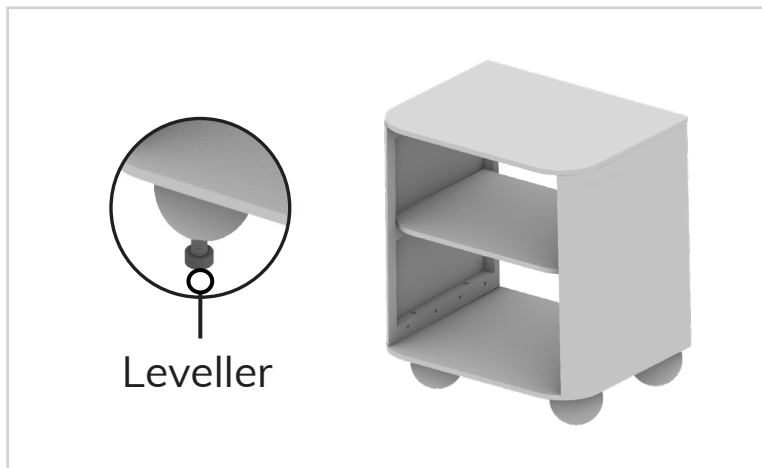
step 8:

Fix the top (A) on the left and right panel by inserting a plain washer (E) and bolts (F) in the given slots. Tighten the bolts using allen key (G).



step 9:

If required adjust the levellers according to the floor as shown in the image.



Voila! Your nightstand is now assembled and secure!