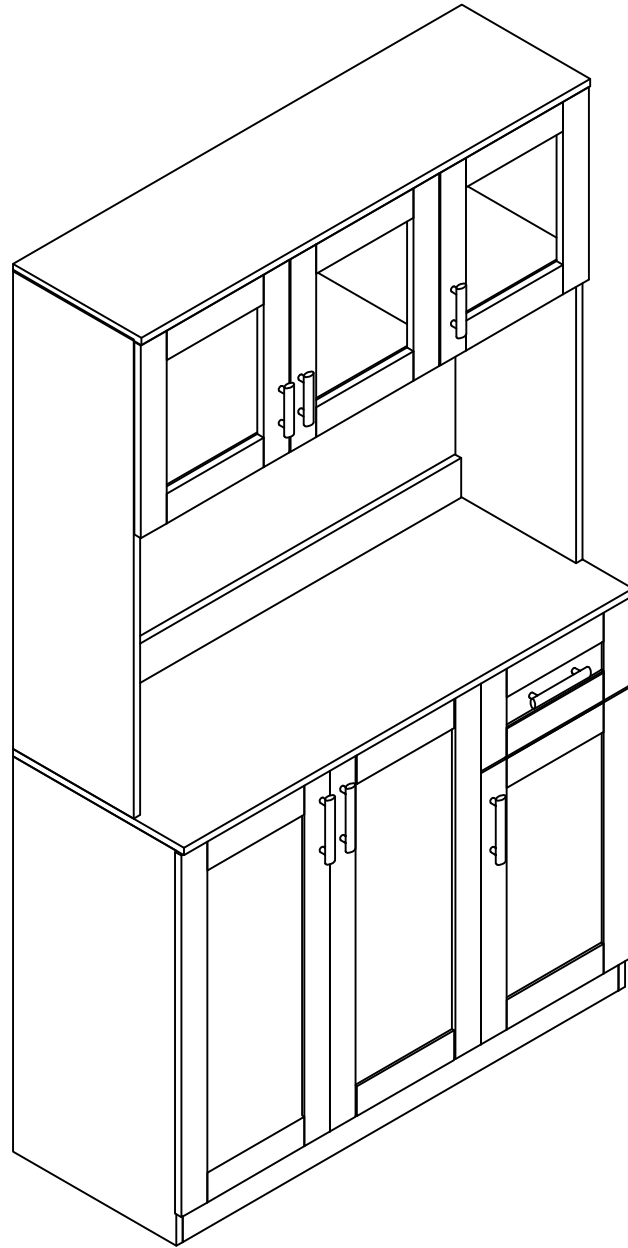


INSTRUCTION MANUAL

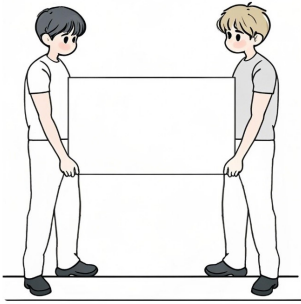


ITEM NO:MH25004-1501A-01

Version:04/19/2025

IMPORTANT INFORMATION

Please read this manual carefully before assembling or using this product. Follow the instructions thoroughly and keep this manual for future reference. Door Storage Cabinet



IMPROVE EFFICIENCY!

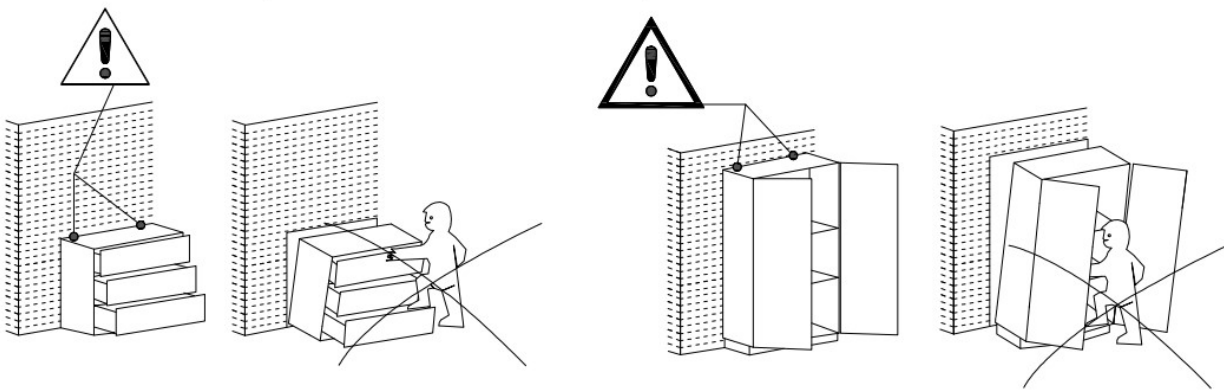
For a faster and easier assembly, work with a partner.

IMPORTANT INSTALLATION AND MAINTENANCE NOTES

- The furniture is large and heavy, please choose a good placement before installation. After the installation is completed, try not to move it widely. If necessary, more than one person should cooperate to carry it.
- Please note: After the installation is completed, avoid vigorous dragging or using brute force to carry the furniture, as this may cause irreversible damage to the connection points or plates, leading to cracks that affect the functionality and appearance of the product.
- Any product that is assembled using screws should be re-tightened 2 weeks after assembly, and once every 3 months thereafter, to ensure stability throughout the product's lifespan.
- For regular maintenance and cleaning of the product: For the frame, use a rag dipped in neutral detergent to wipe it thoroughly, then dry it with a clean rag. For glass materials, use a rag dampened with a water-based glass cleaner, and then dry it with a dry rag.
- Do not use an electric screwdriver, and avoid using excessive force during installation, as the board is easy to break.
- If you have any issues or questions, please feel free to contact our customer service team at Furniture-AfterSales@outlook.com.

ANTI-TOPPLE WARNING!

- Overturned furniture can cause serious injury or even death.
- To prevent tipping over, always secure the furniture to the wall using the provided wall attachment.
- If the wall attachment is not included, purchase one that fits your wall type.
- If you're unsure, seek professional assistance to ensure correct installation.
- Carefully follow each step of the assembly instructions for safe and secure setup.



This product contain small parts, please,
keep out of reach of children.

Ce produit contient de petites pièces, s'il vous plait,
à conserver hors de portée des enfants.

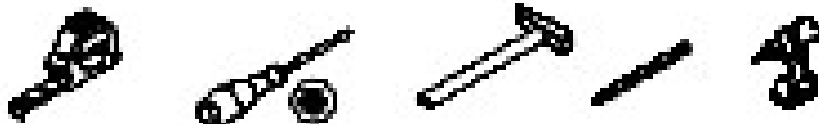
Bitte halten Sie kleine Teile außerhalb der Reichweite von Kindern.

Este producto contiene piezas pequeñas,
mantener fuera del alcance de los niños.

Este produto contém peças pequenas, por favor,
mantenha fora do alcance das crianças,

Questo prodotto contiene piccole parti,
si prega di tenerle fuori dalla portata dei bambini.

Please prepare the following tools



In case of doubt, compare the hardware with the full-size images below.

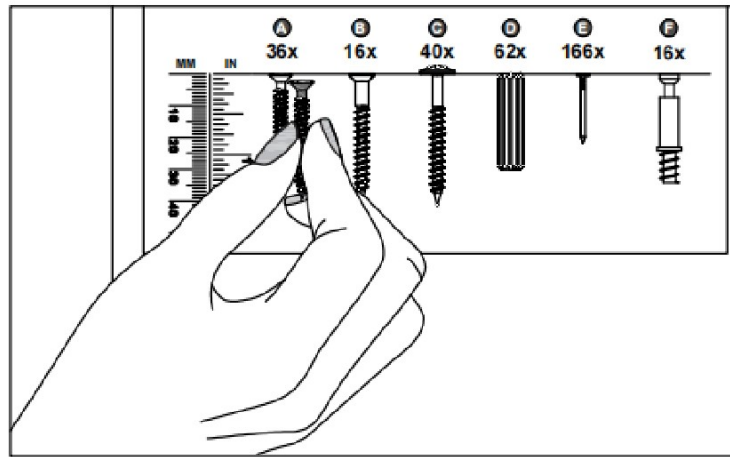
En cas de doute, veuillez comparer le matériel avec les images en taille réelle ci-dessous.







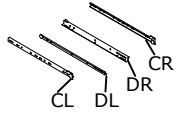












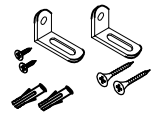



Vergleichen Sie im Zweifelsfall die Schrauben mit den Abbildungen in Originalgröße.

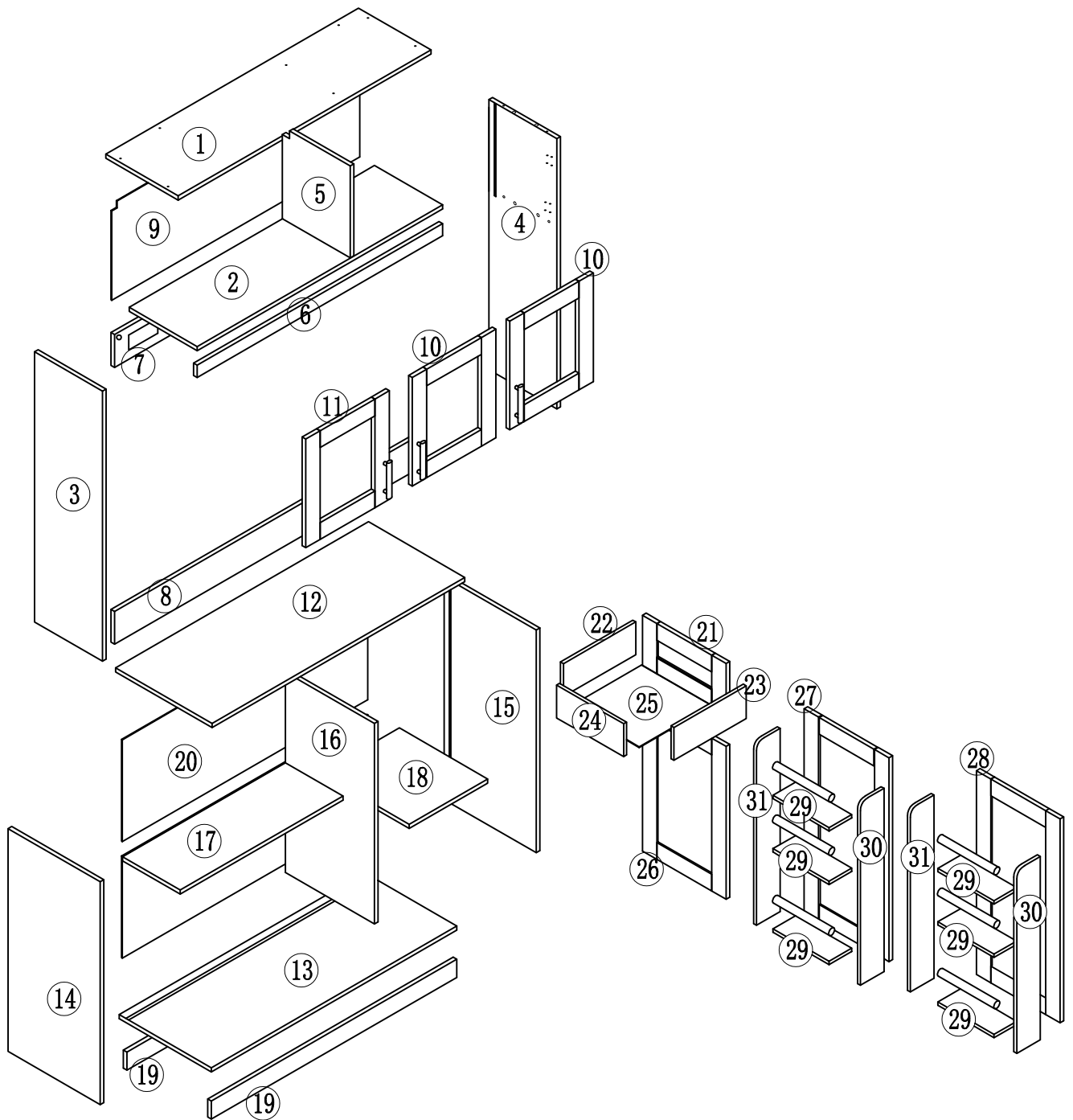
En caso de dudas, compare las herrajes con las imágenes a seguir en tamaño real.

Em caso de dúvida, compare as ferragens com as imagens abaixo em tamanho real.

In caso di dubbio, confronta le ferramenta con le immagini sottostanti a grandezza reale.



<p>A x 78</p>  <p>CRA0635A</p>	<p>B x 78</p>  <p>CRB1595A</p>	<p>C x 52</p>  <p>CRF0830A</p>	<p>D x 8</p>  <p>33120031</p>	<p>E x 4</p>  <p>33120032</p>	<p>F x 72</p>  <p>CRD3514A</p>
<p>G x 1</p>  <p>HG-DT-12-1X</p>	<p>H x 18</p>  <p>CRD3512A</p>	<p>I x 14</p>  <p>CRD0440A</p>	<p>J x 6</p>  <p>Ø13*246mm</p>	<p>K x 8</p>  <p>CB-P4914-1X</p>	<p>L x 4</p>  <p>CRD0430A</p>
<p>M x 1</p>  <p>124*46*46mm</p>	<p>N x 2</p>  <p>CRD3516A</p>	<p>O x 1</p>  <p>DD-460062US</p>	<p>P x 3</p>  <p>SCFL-LS 64mm</p>	<p>Q x 4</p>  <p>SCFL-LS 96mm</p>	<p>R x 12</p>  <p>CRE0422A</p>
<p>S x 2</p>  <p>CRE0412A</p>	<p>T x 1</p>  <p>FDQ-0002</p>	<p>U x 2</p>  <p>CP-MX-11</p>	<p>V x 4</p>  <p>CRD0316A</p>	<p>W x 2</p>  <p>CP-T48-1X</p>	



ATTENTION - AVERTISSEMENT - ACHTUNG - ATENCIÓN - ATENÇÃO - ATTENZIONE

Assemble the furniture on a clean and flat surface and cover it with the cardboard of the packaging.

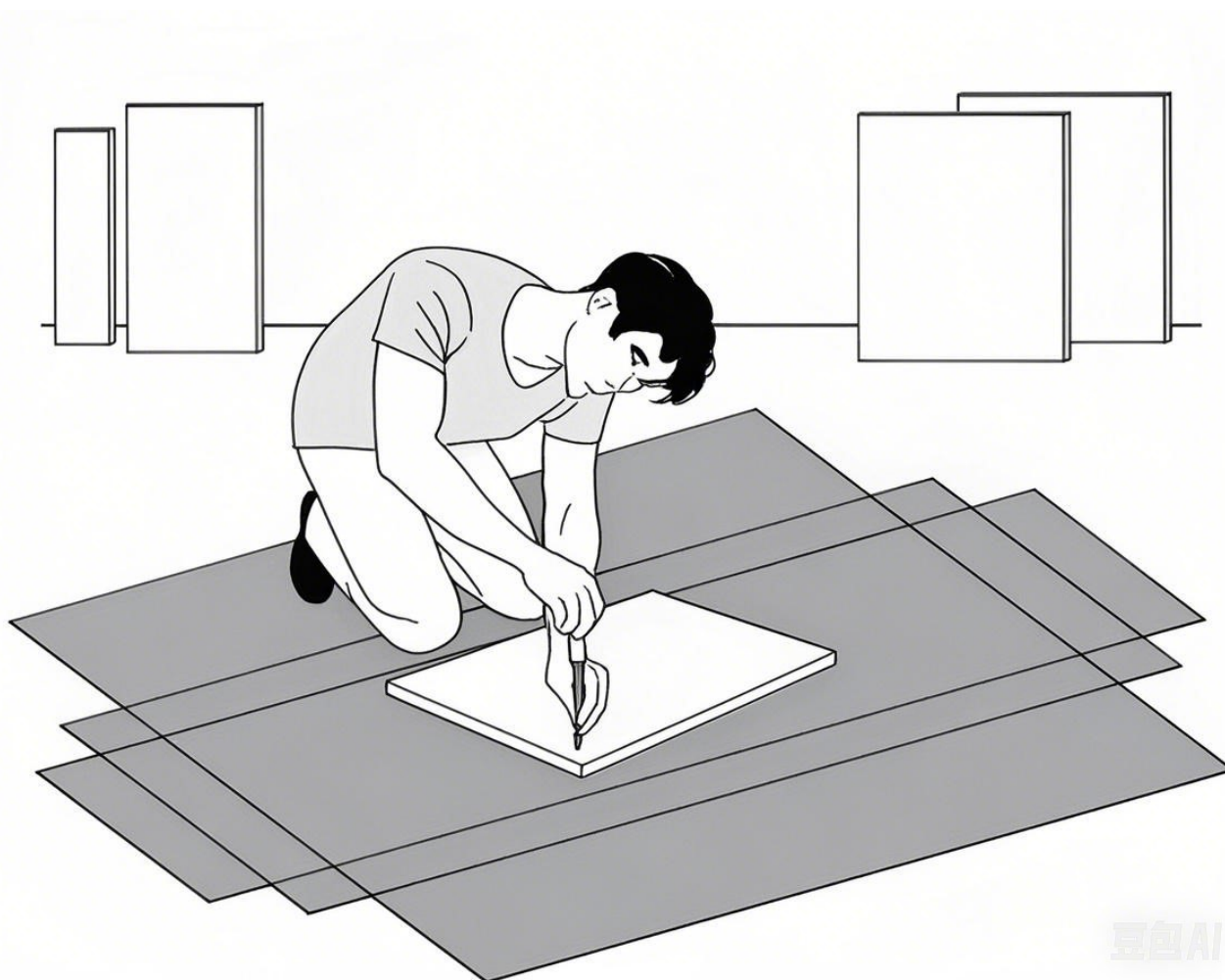
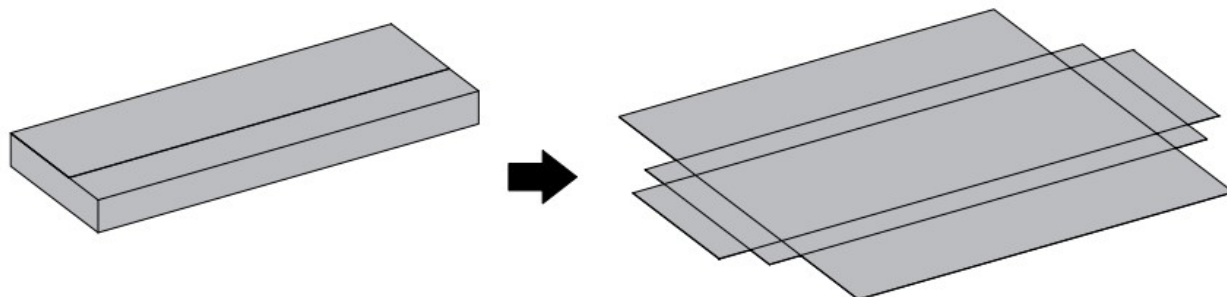
Assemblez le meuble sur une surface propre et plane et couvrez-le avec le carton de l'emballage du produit.

Um Beschädigungen zu vermeiden, montieren Sie den Artikel auf einer weichen, sauberen Unterlage.
Tipp: Legen Sie den Artikel auf dem Verpackungskarton.

Montar el mueble sobre una superficie limpia y plana y cubrirlo con el cartón del embalaje del producto.

Montar o móvel sobre uma superfície limpa e plana e forrá-la com o papelão da embalagem do produto.

Montare il mobile su una superficie pulita e piana e rivestirla con il cartone d'imballaggio del prodotto.

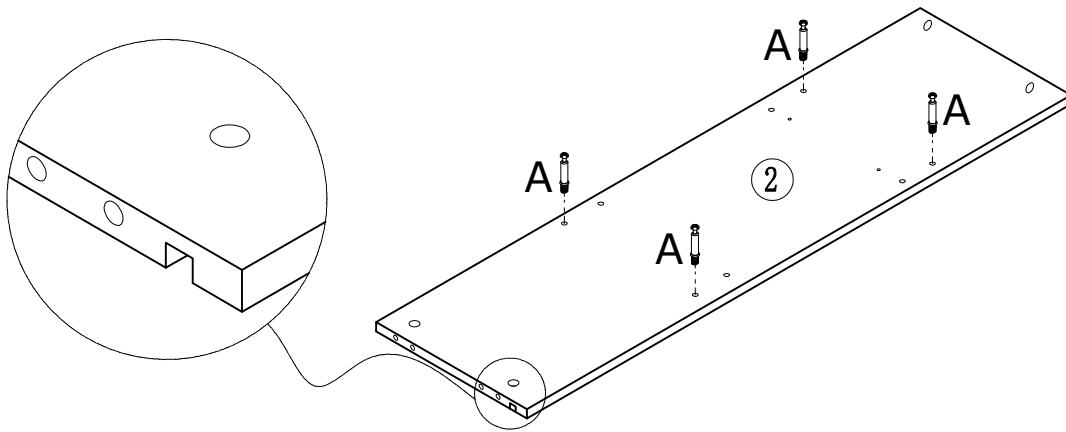
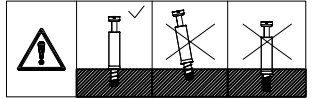
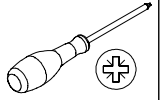


1

A x 4



CRA0635A



2

B x 4

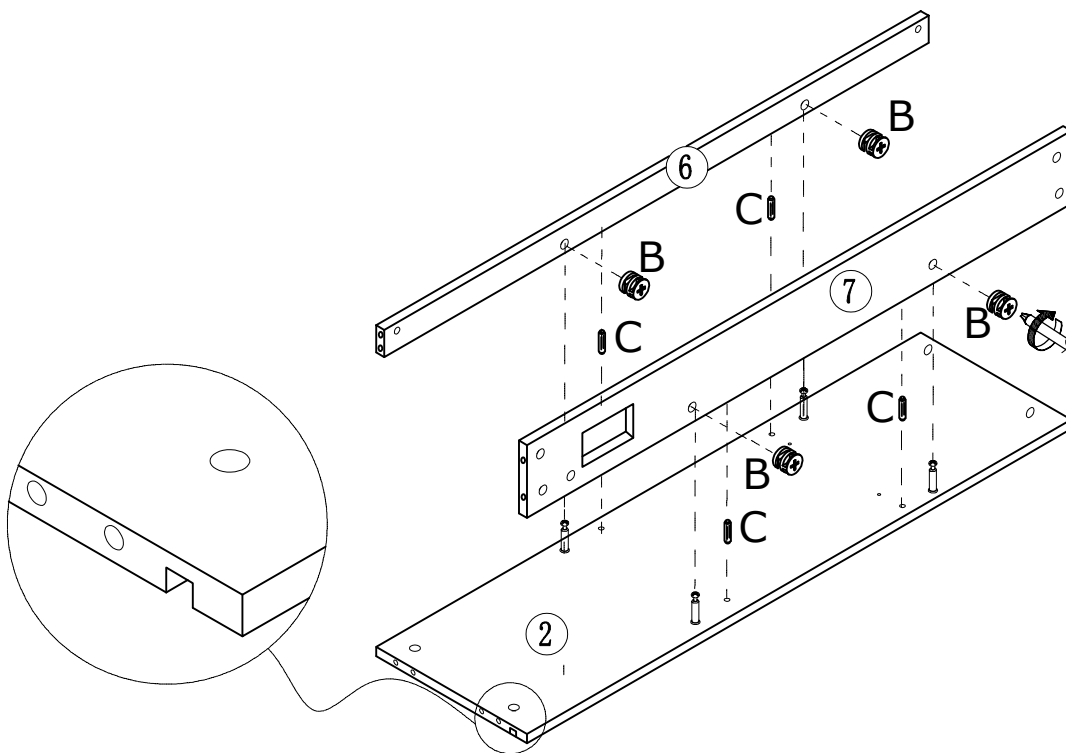
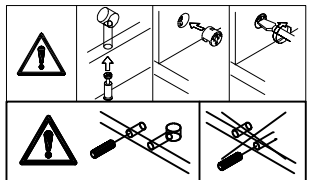
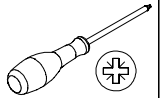


CRB1595A

C x 4

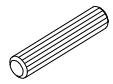


CRF0830A



3

C x 2

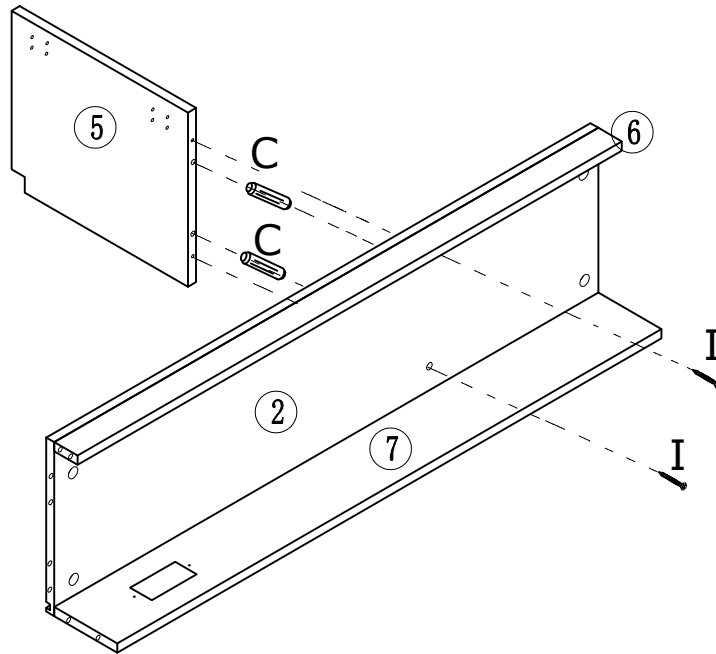
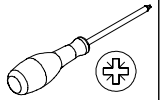


CRF0830A

I x 2



CRD0440A

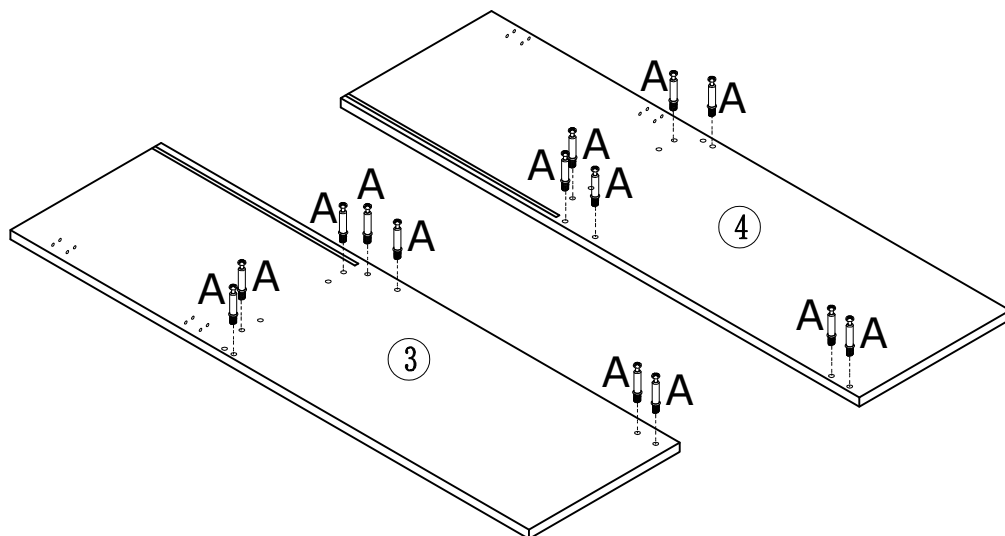
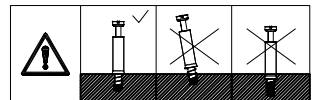
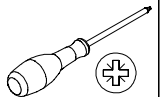


4

A x 14



CRA0635A



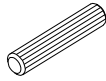
5

B x 5

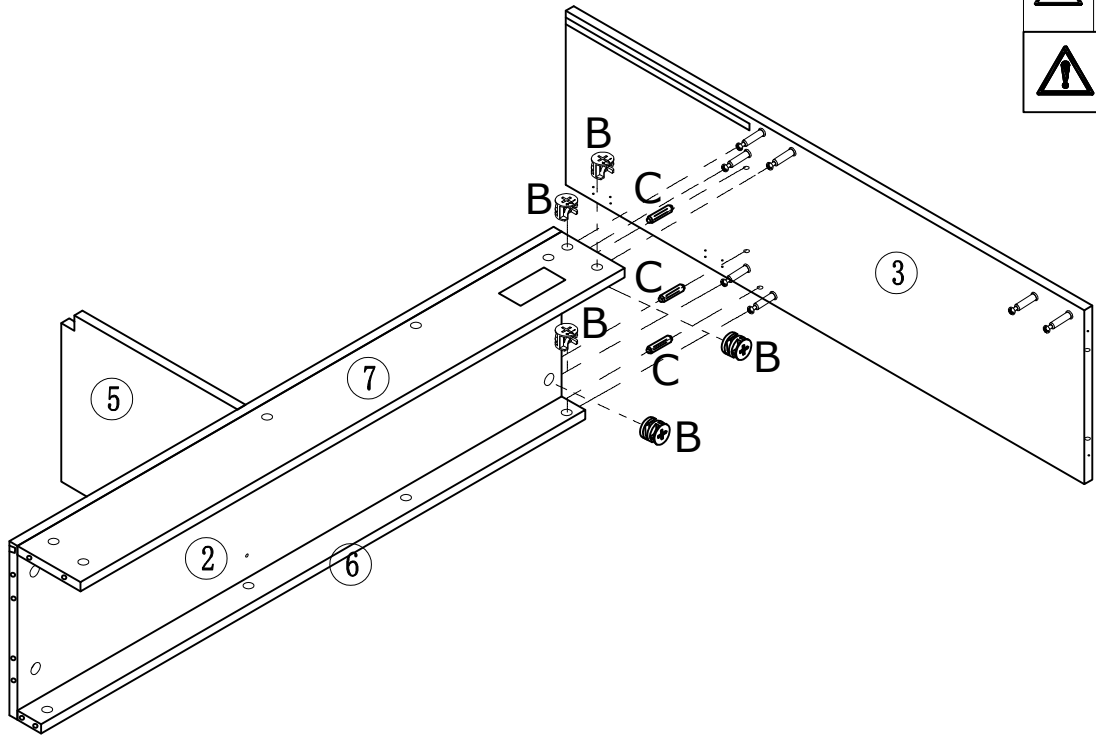
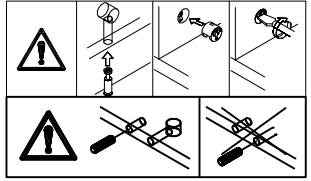
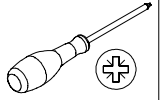


CRB1595A

C x 3



CRF0830A



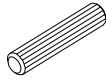
6

B x 9

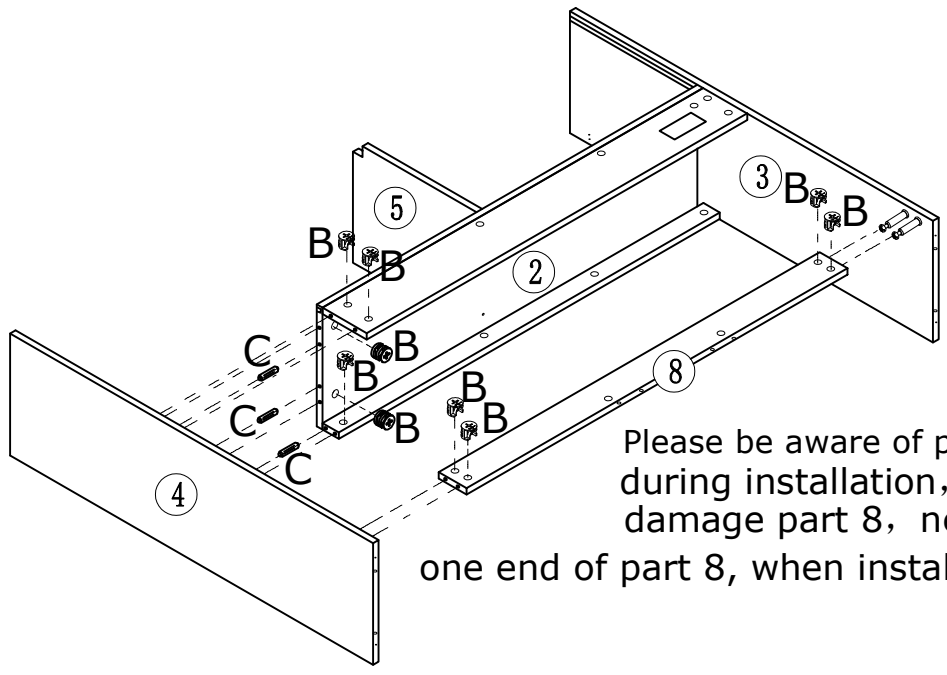
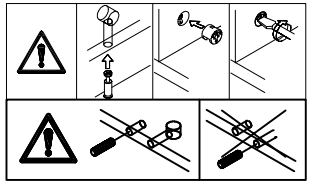
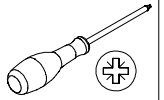


CRB1595A

C x 3

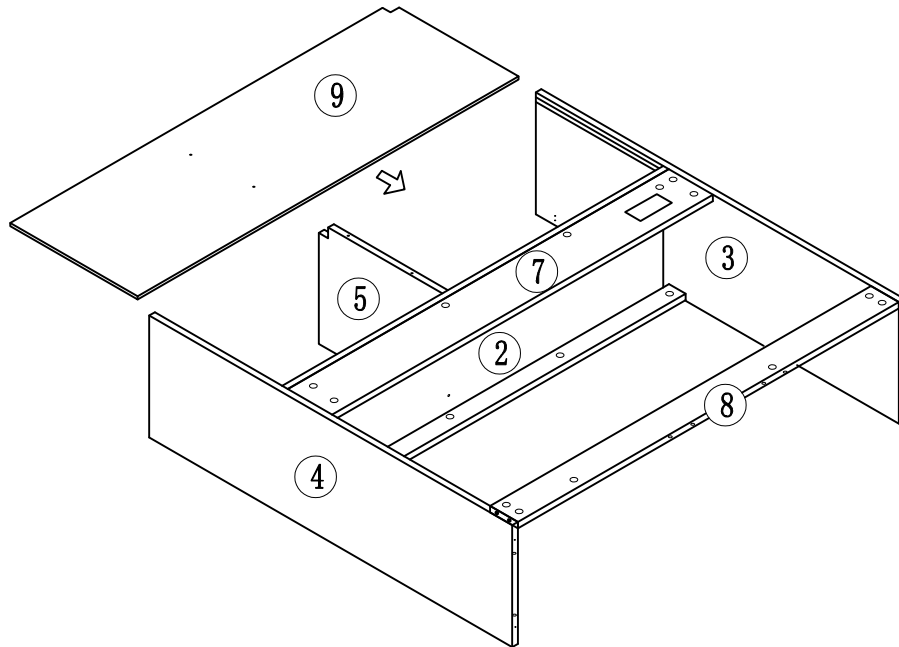


CRF0830A



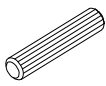
Please be aware of potential risks during installation, it is easy to damage part 8, need to handle one end of part 8, when installing the other end

7



8

C x 6

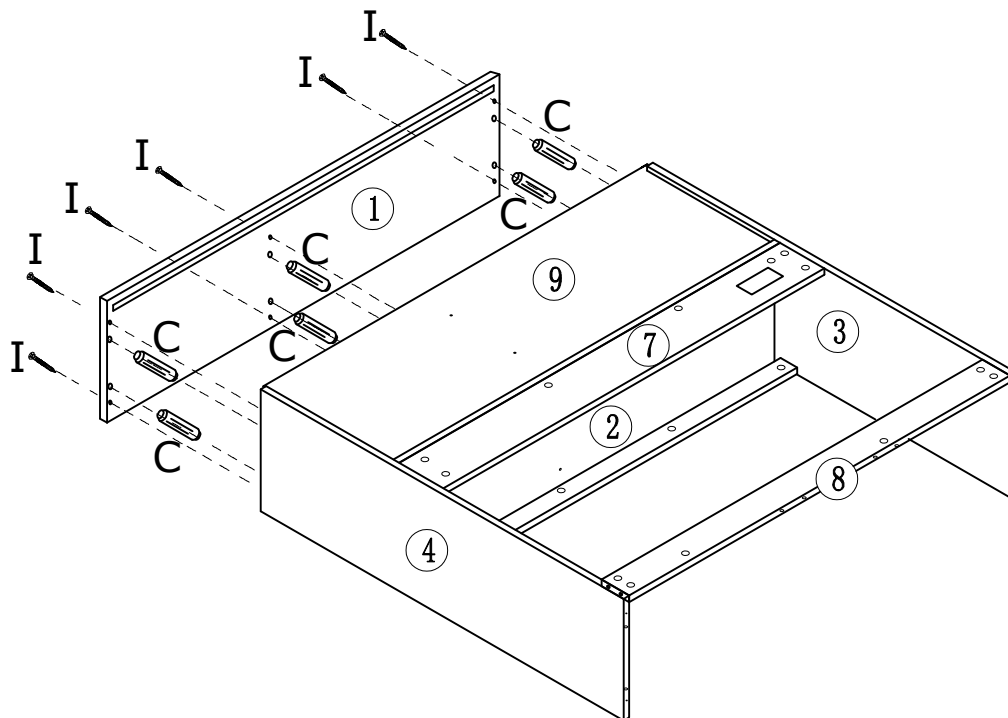
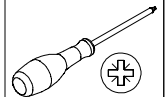


CRF0830A

I x 6



CRD0440A

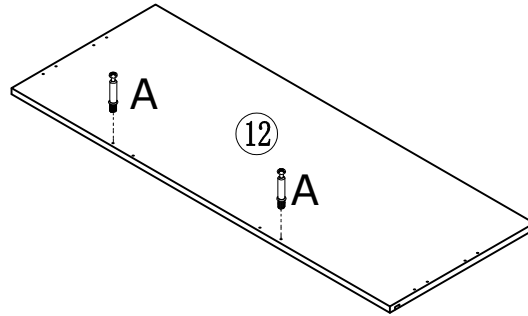
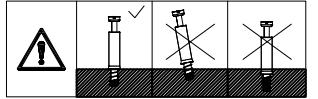
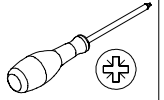


9

A x 2



CRA0635A



10

B x 2



CRB1595A

C x 6

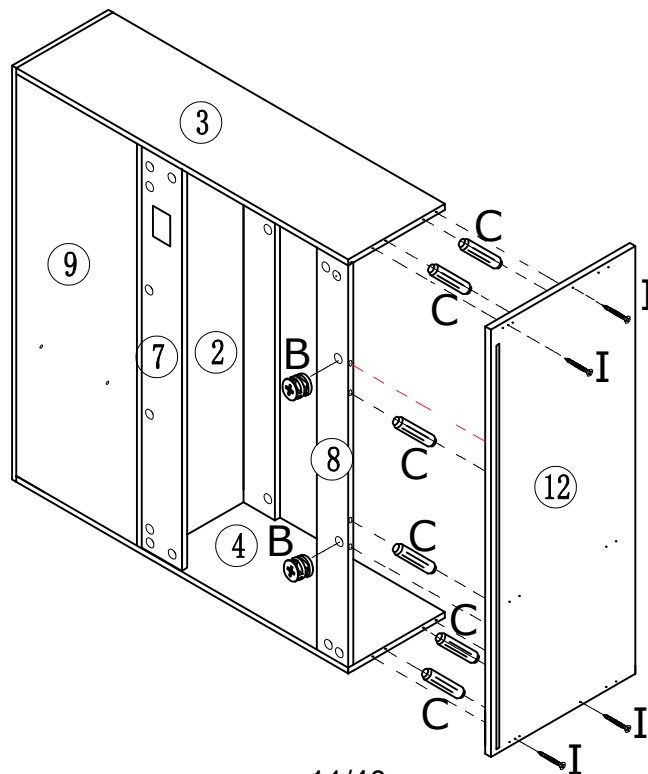
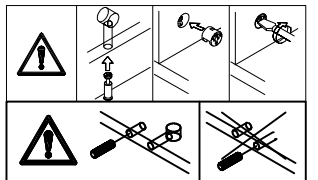
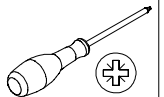


CRF0830A

I x 4



CRD0440A



11

H x 2



CRD3512A

U x 2

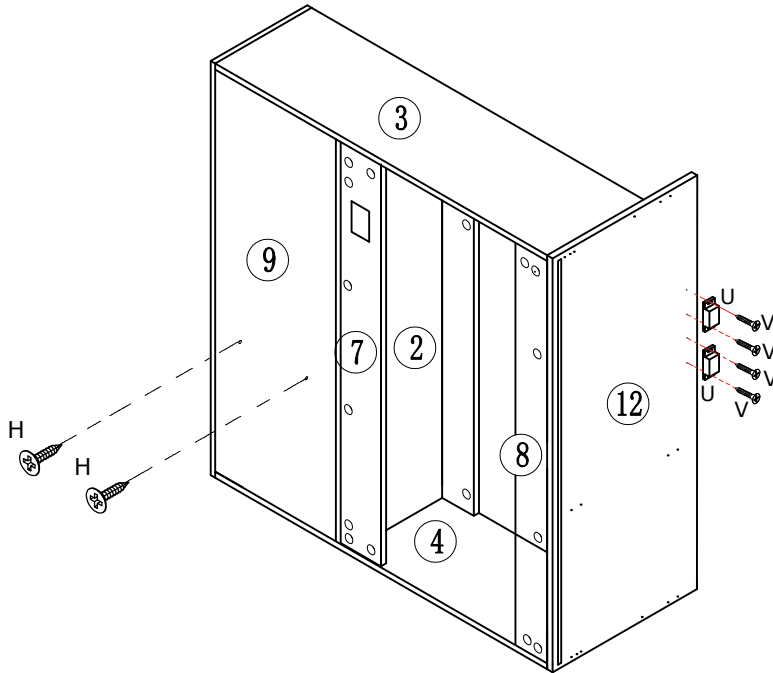
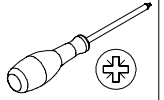


CP-MX-11

V x 4



CRD0316A

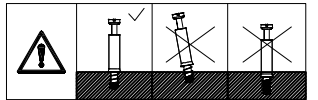
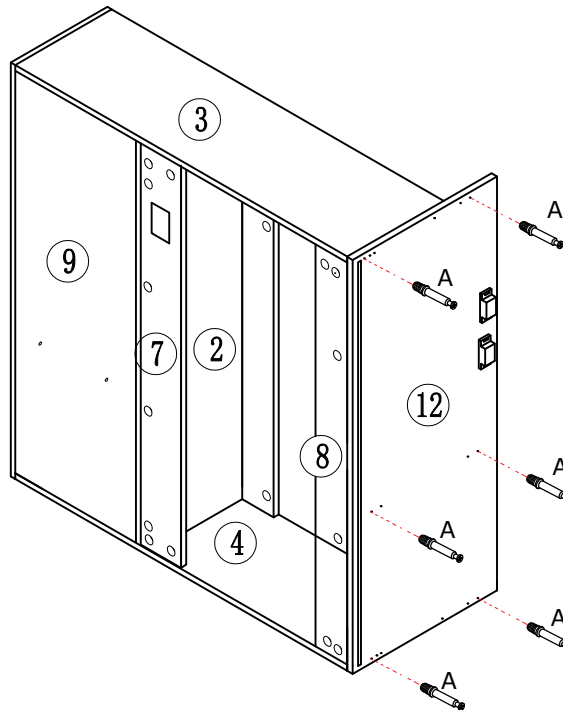
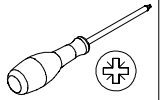


12

A x 6



CRA0635A

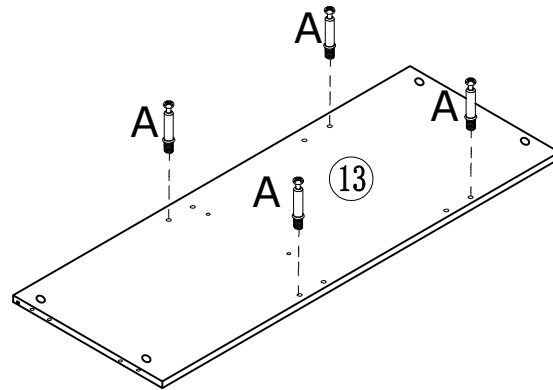
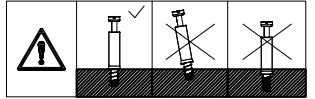
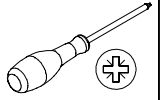


13

A x 4



CRA0635A



14

B x 4

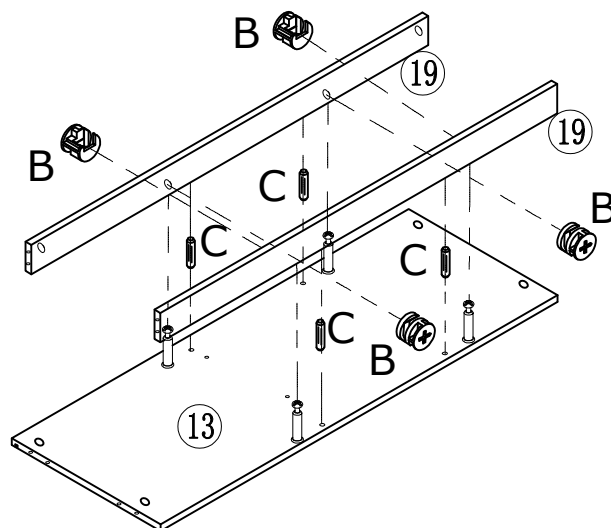
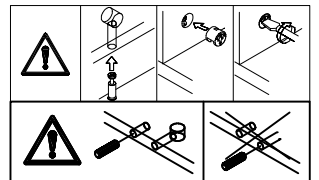


CRB1595A

C x 4



CRF0830A

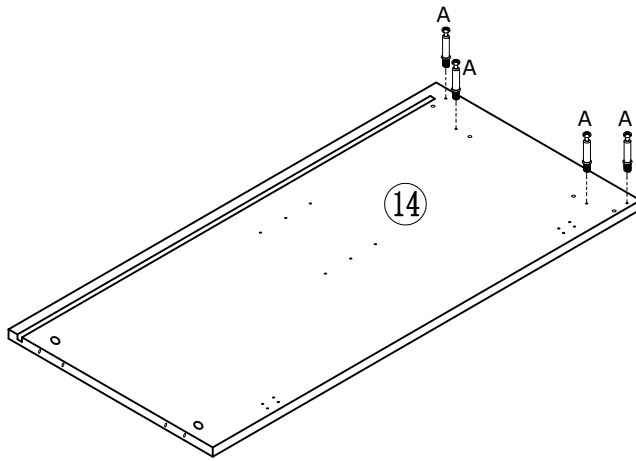
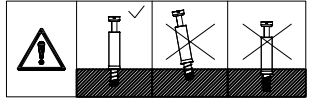
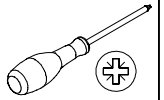


15

A x 4



CRA0635A



16

A x 4



CRA0635A

H x 2



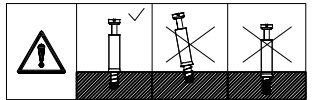
CRD3512A

G x 1

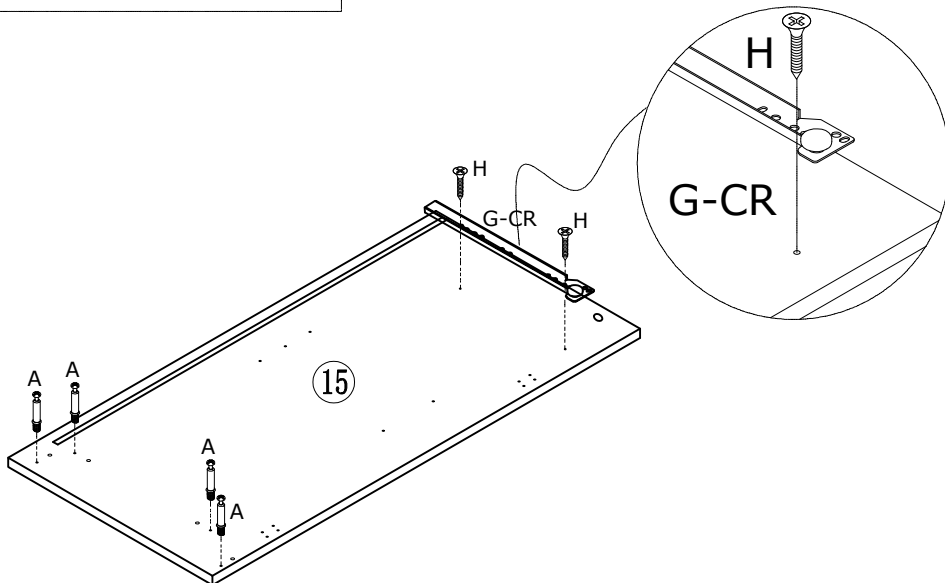


CR

HG-DT-12-1X



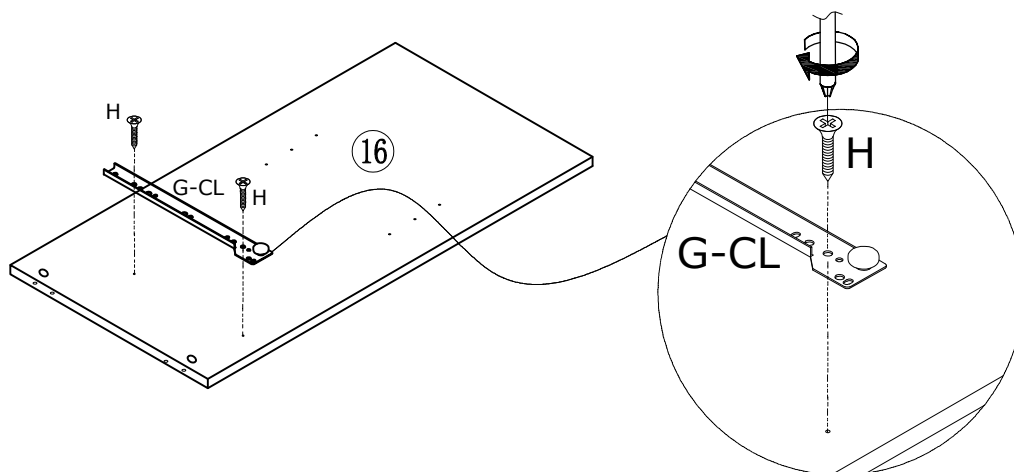
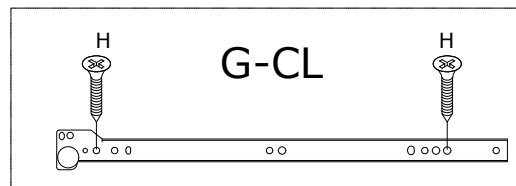
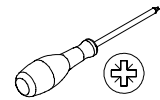
G-CR



17

G x 1
CL
HG-DT-12-1X

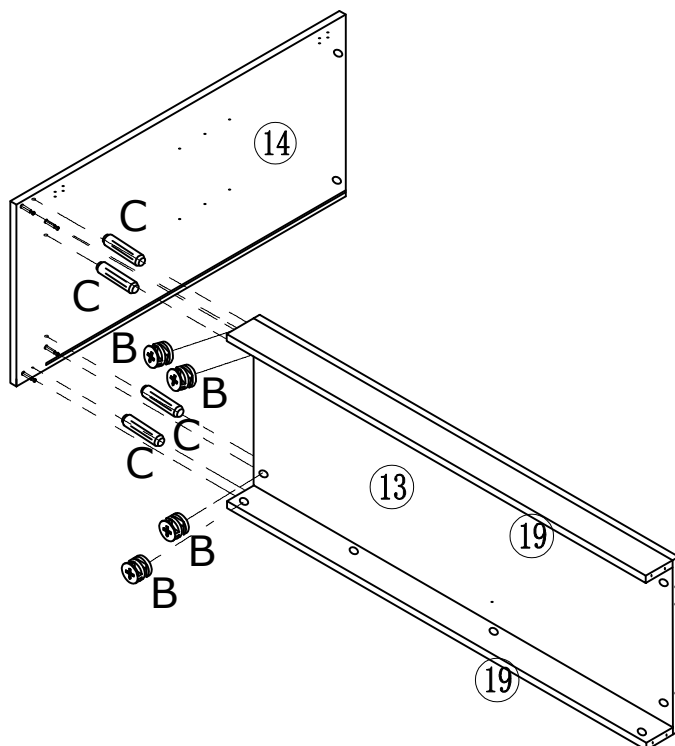
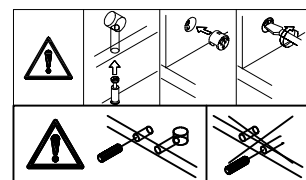
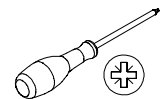
H x 2
CRD3512A



18

B x 4
CRB1595A

C x 4
CRF0830A



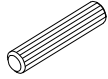
19

B x 4

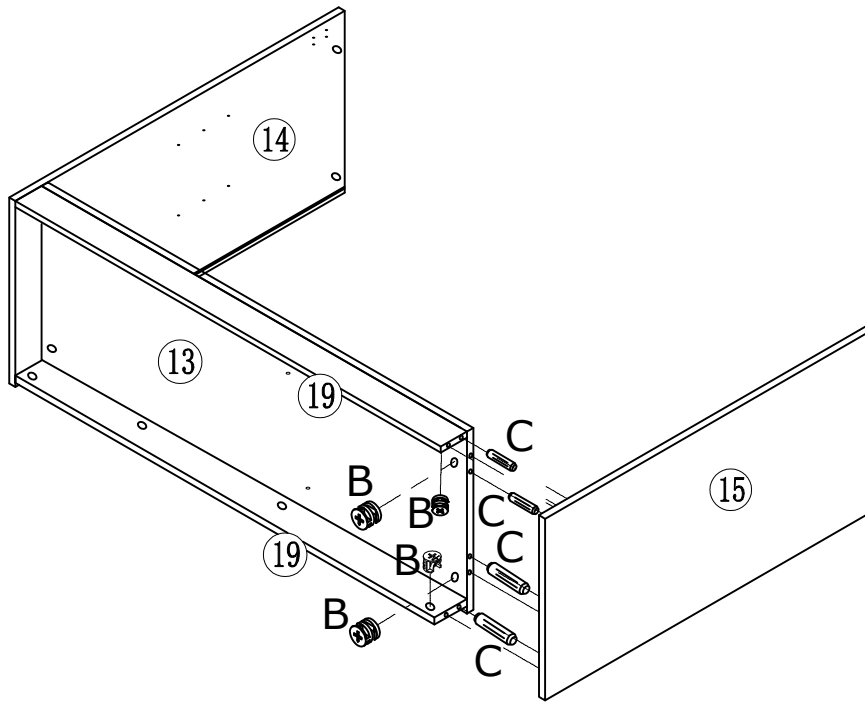
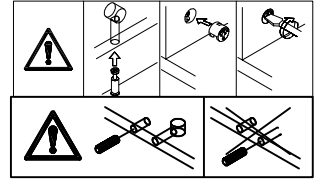
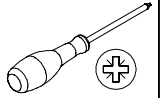


CRB1595A

C x 4



CRF0830A



20

C x 2

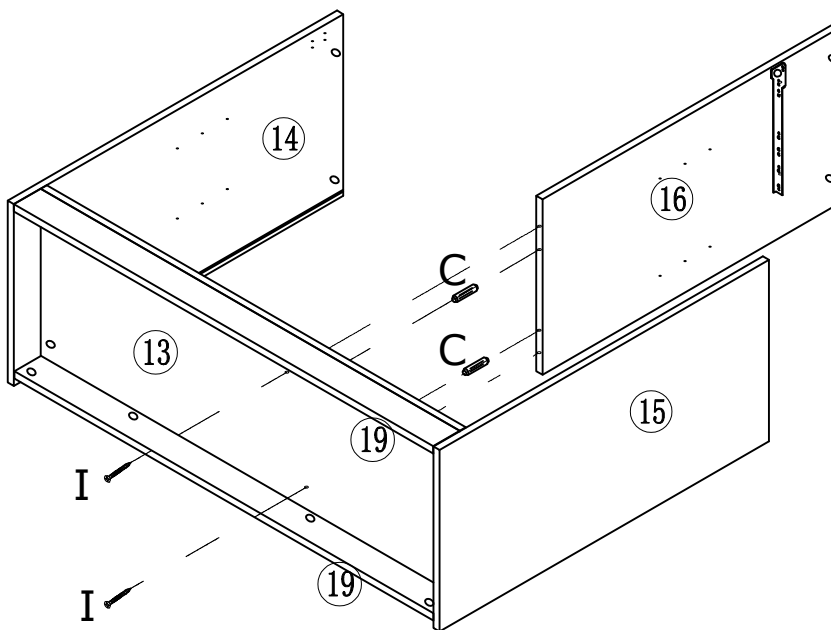
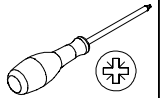


CRF0830A

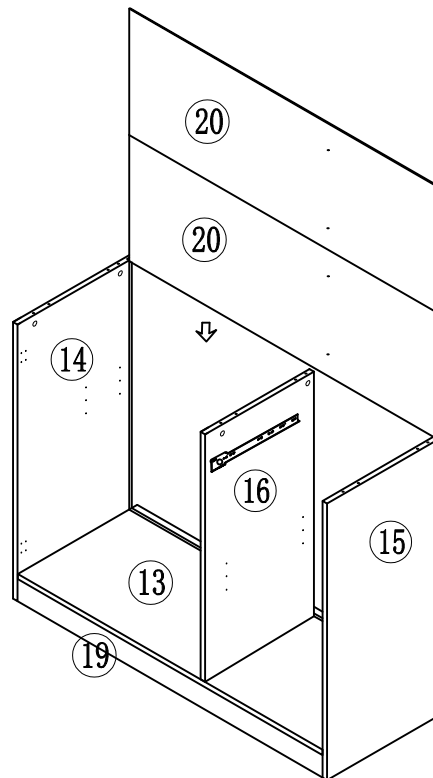
I x 2



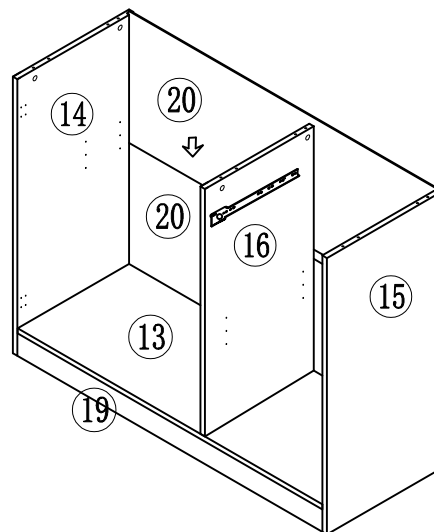
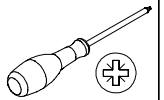
CRD0440A



21



22



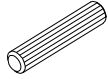
23

B x 6

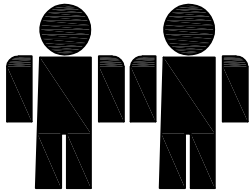
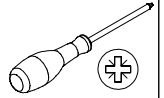


CRB1595A

C x 6

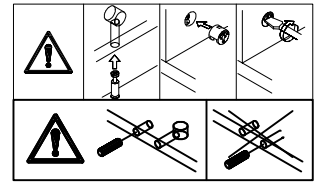
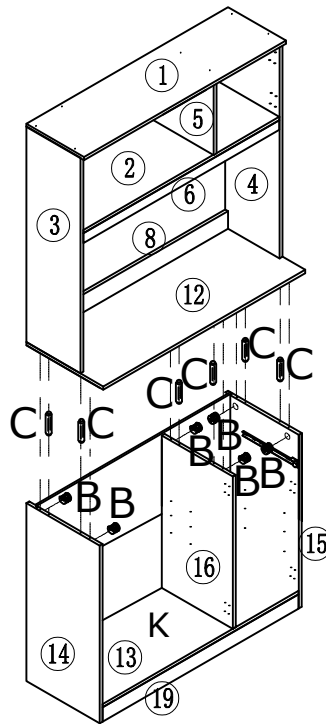


CRF0830A



ATTENTION;

Need two people to carry the upper of the cabinet during installation

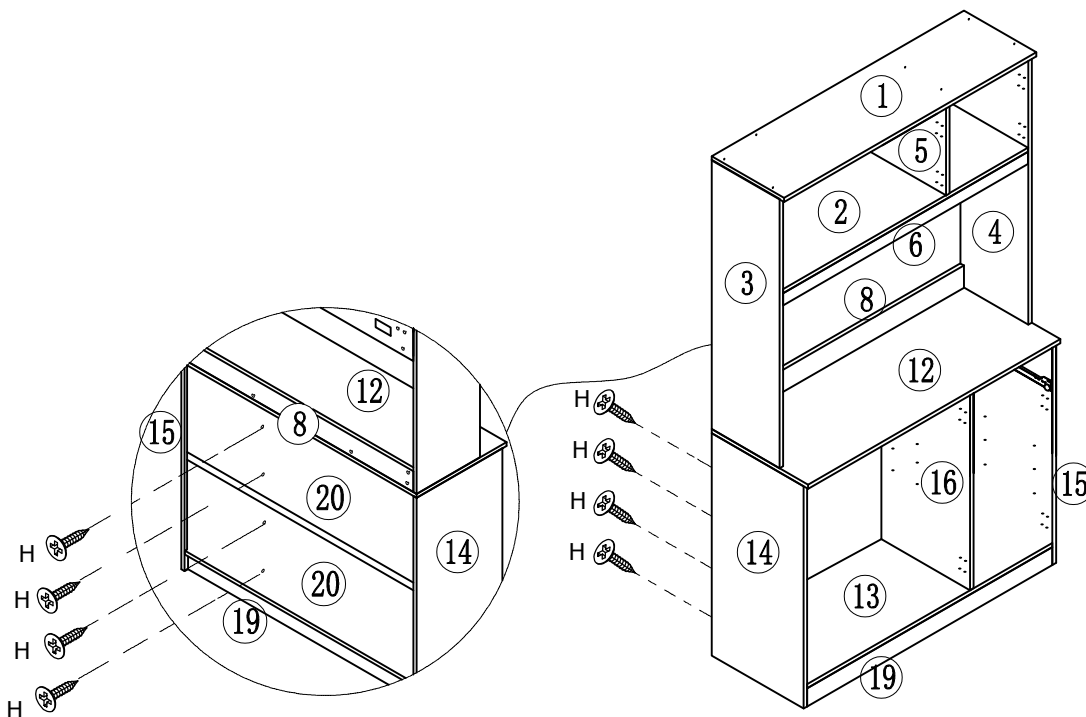
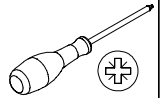


24

H x 4



CRD3512A

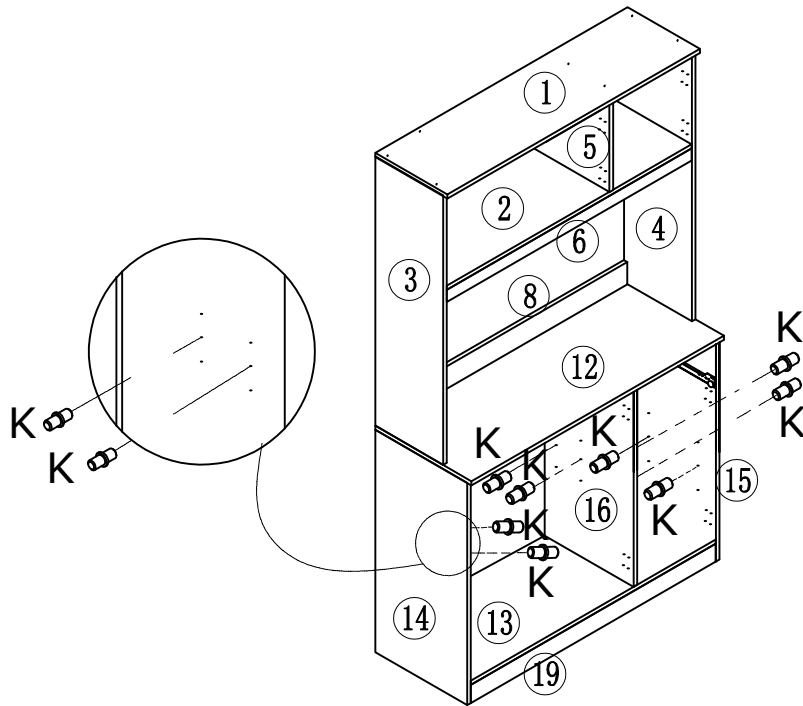


25

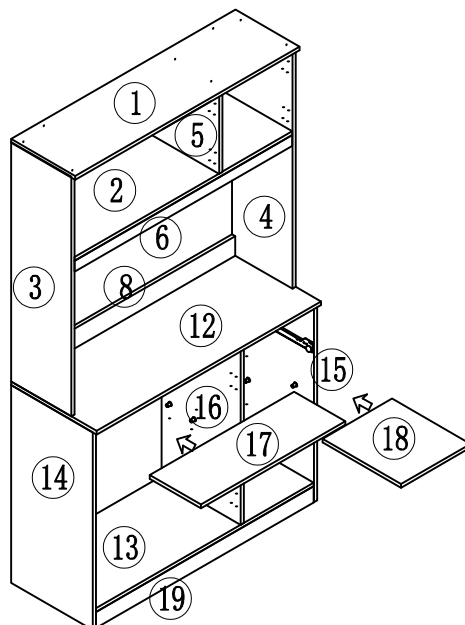
K x 8

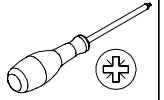


CB-P4914-1X



26

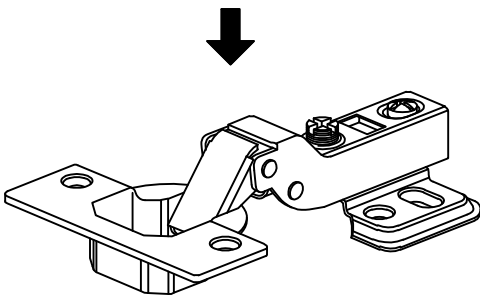
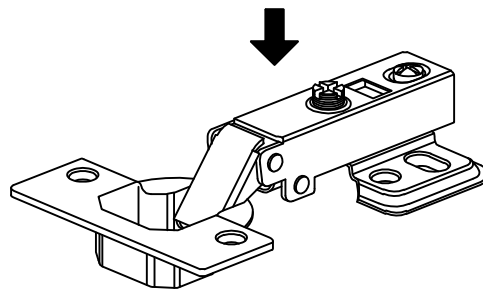




Pay attention to the difference between the middle parts of the two types of door hinges .



- The full coverage door hinges(D) are used on the outermost door plates
- And the curved door hinges(E) are used on the door panel in the middle of the cabinet.

**E****D**

28

E x 2



33120032

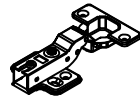
F x 4



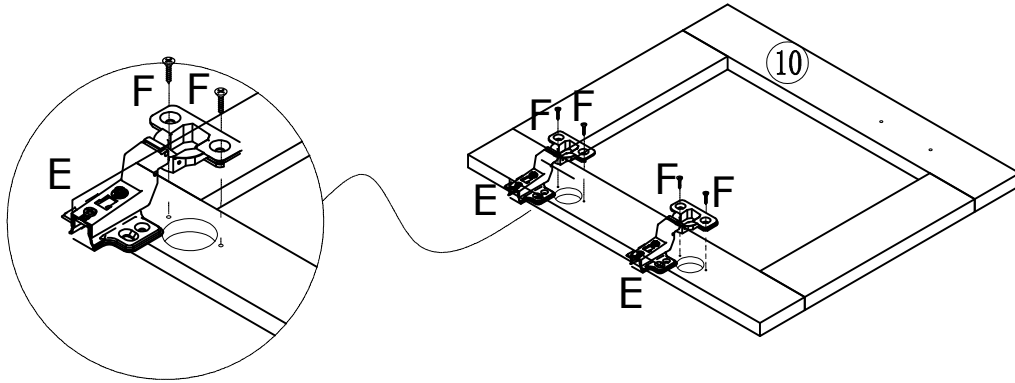
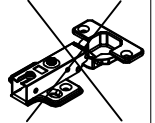
CRD3514A



E



D

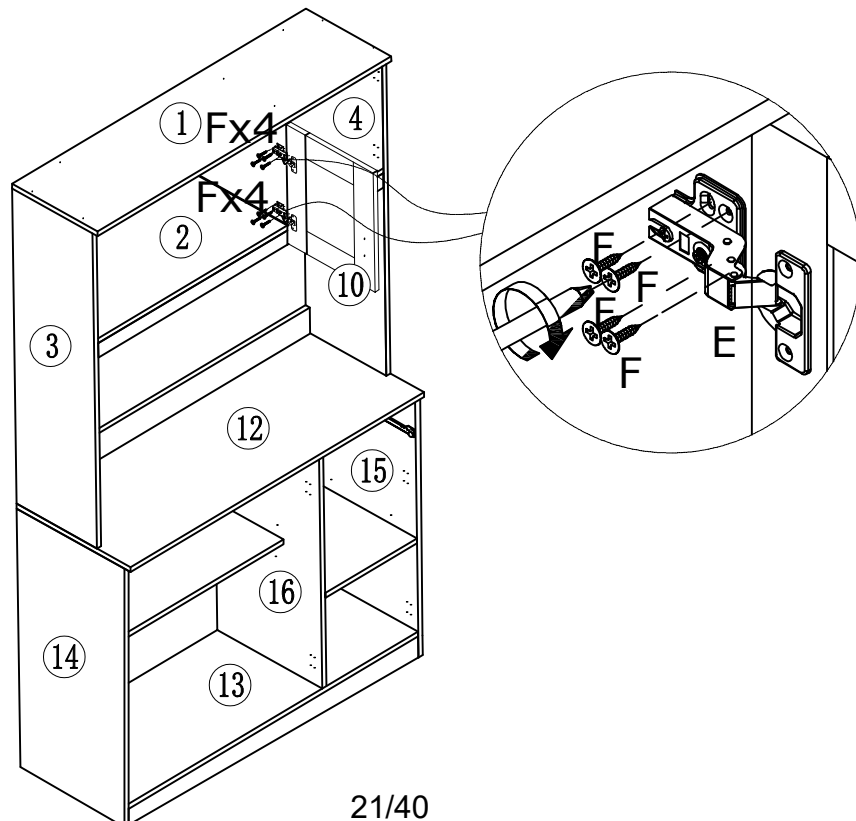


29

F x 8



CRD3514A



30

D x 2

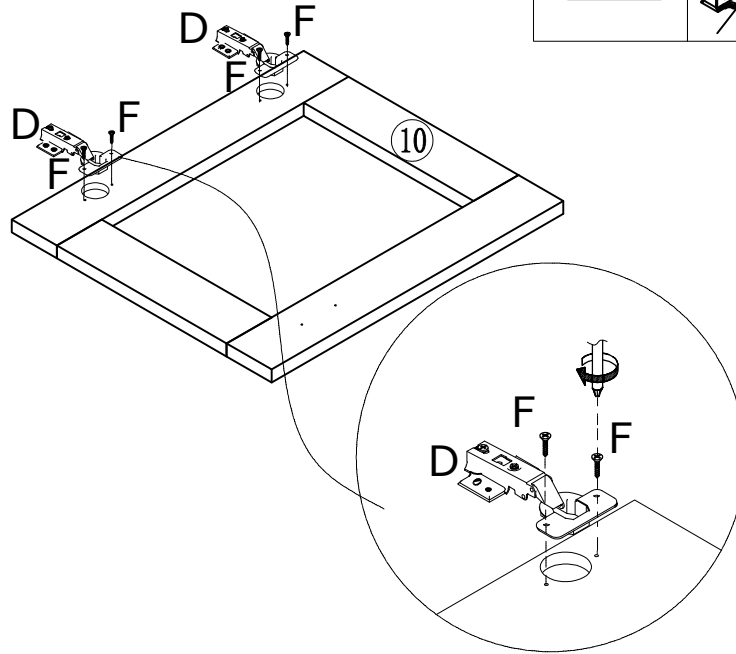
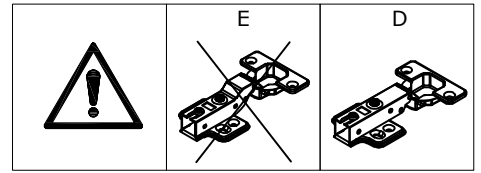


33120031

F x 4



CRD3514A

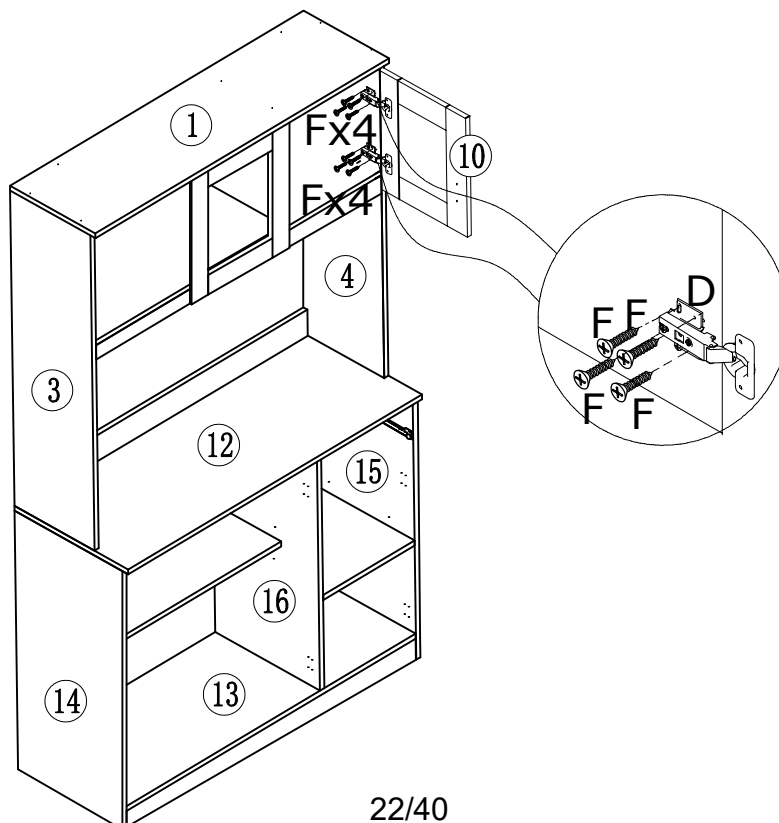


31

F x 8



CRD3514A



32

D x 2

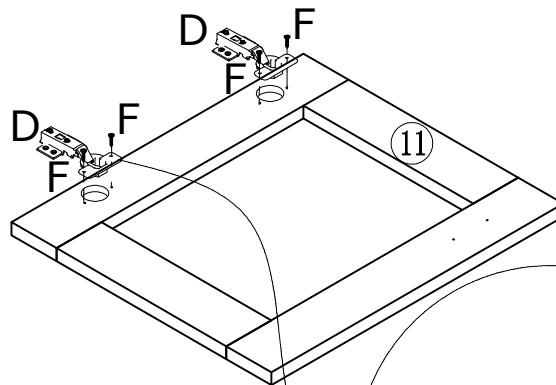


33120031

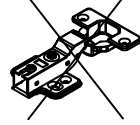
F x 4



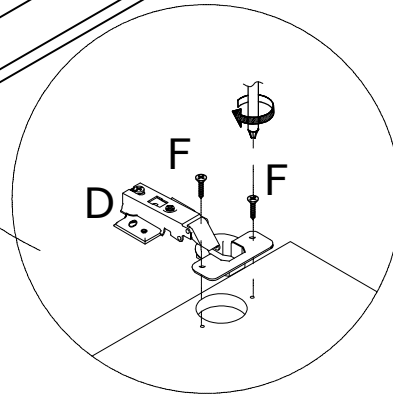
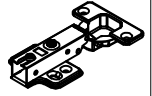
CRD3514A



E



D

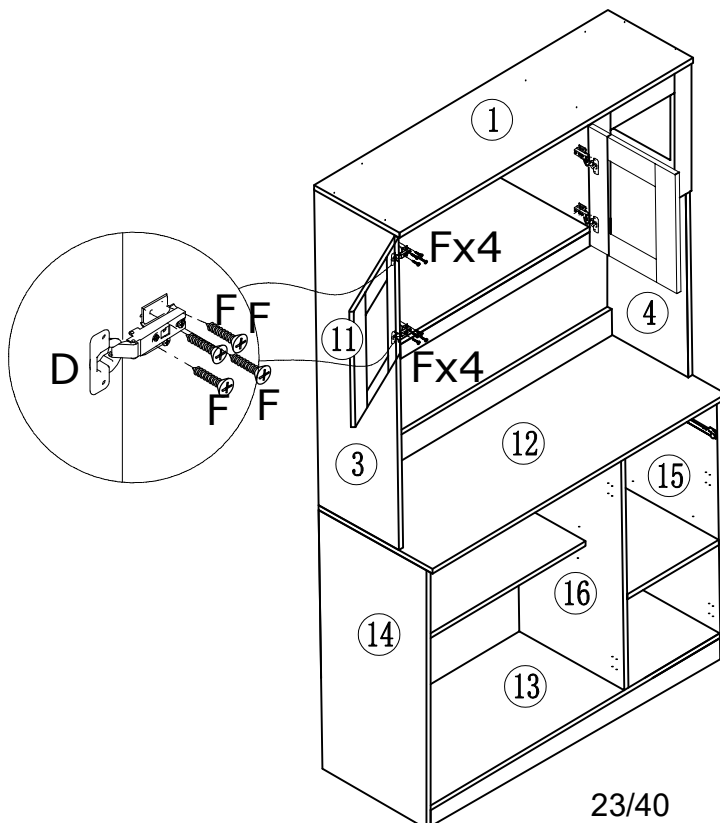


33

F x 8



CRD3514A



34

D x 2

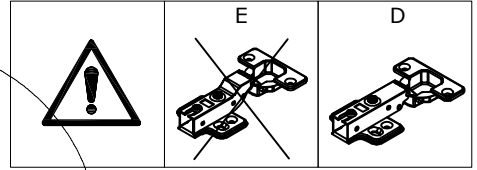
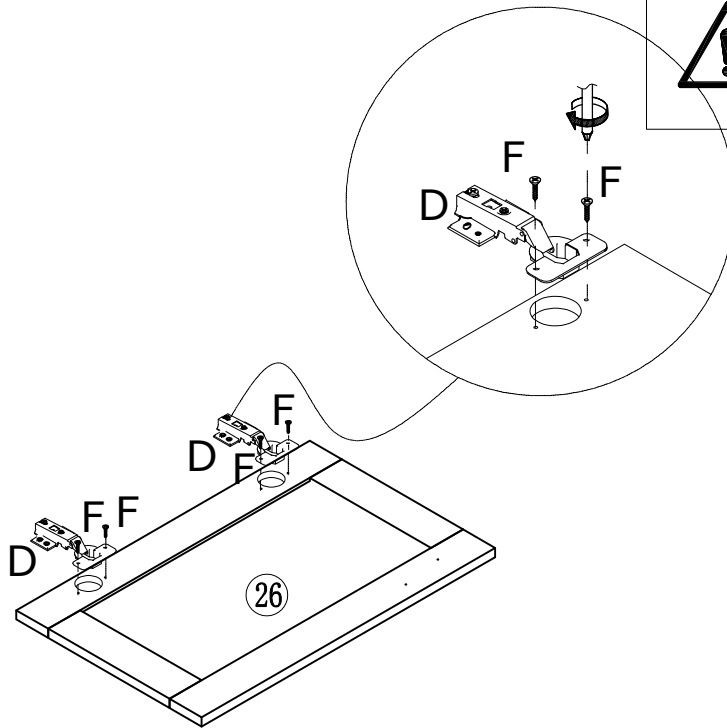
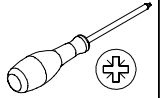


33120031

F x 4



CRD3514A

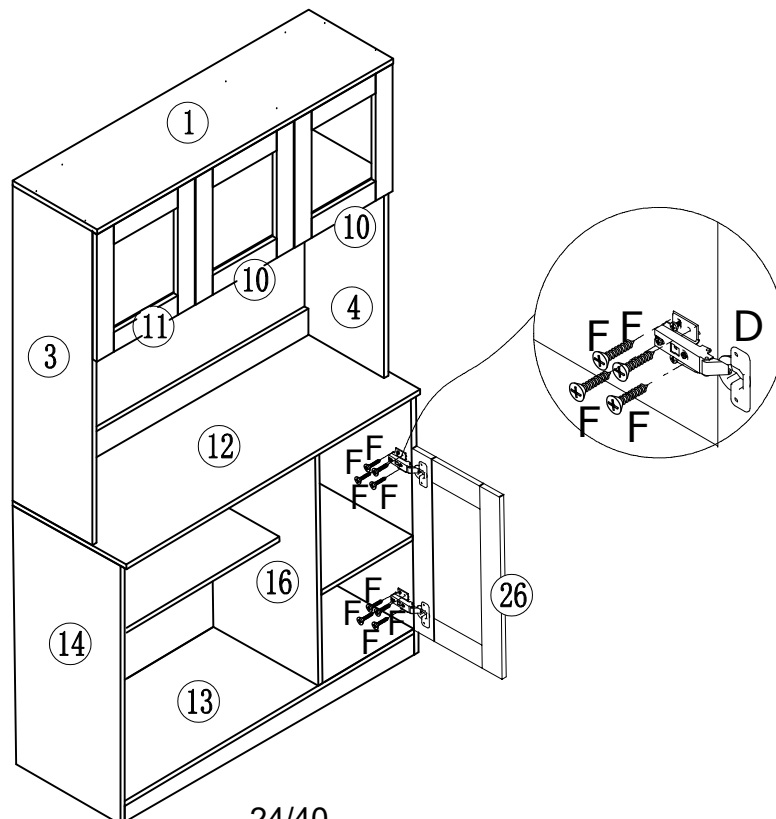
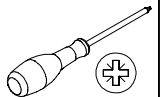


35

F x 8



CRD3514A

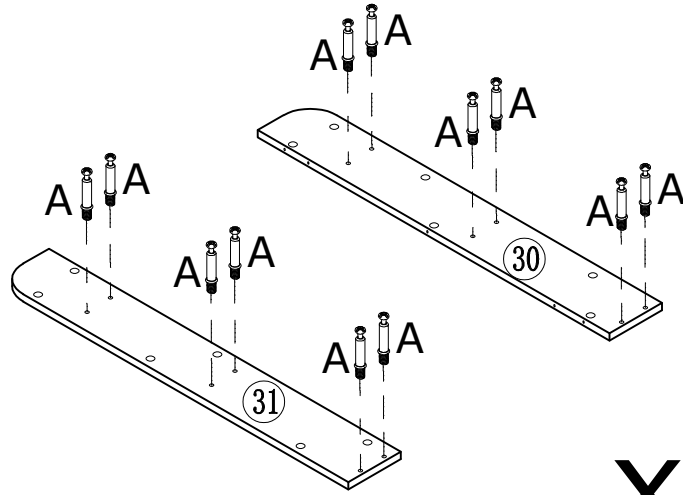
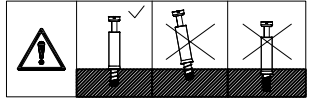
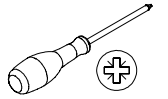


36

A x 24



CRA0635A



x 2

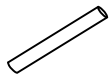
37

B x 24

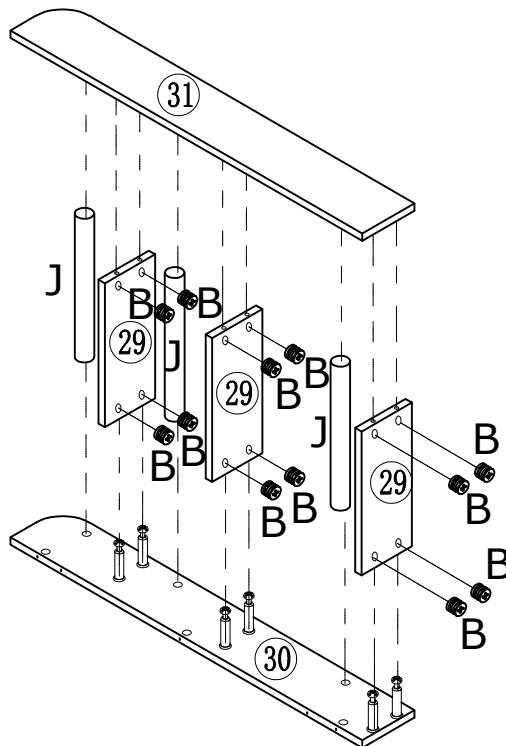
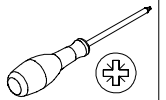


CRB1595A

J x 6



Ø13*246mm



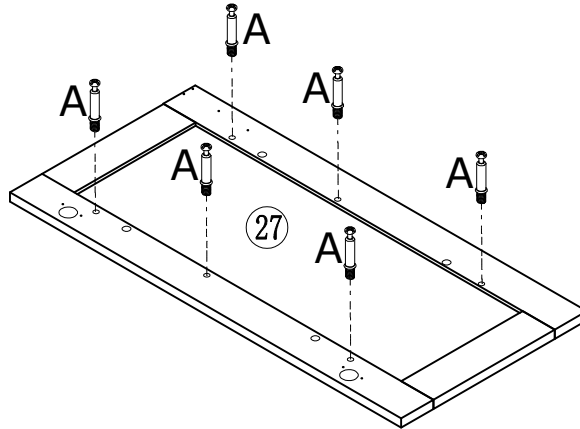
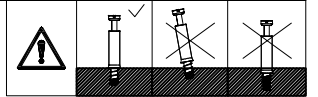
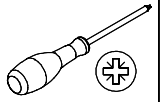
x 2

38

A x 6



CRA0635A



39

W x 1

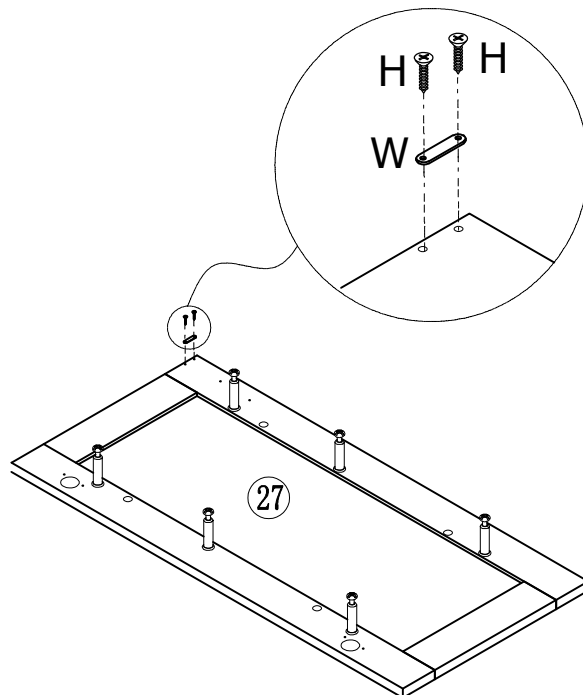
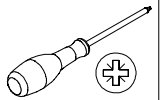


CP-T48-1X

H x 2



CRD3512A



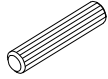
40

B x 6

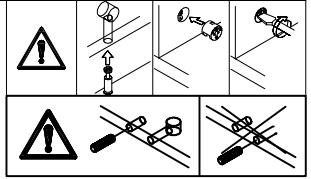
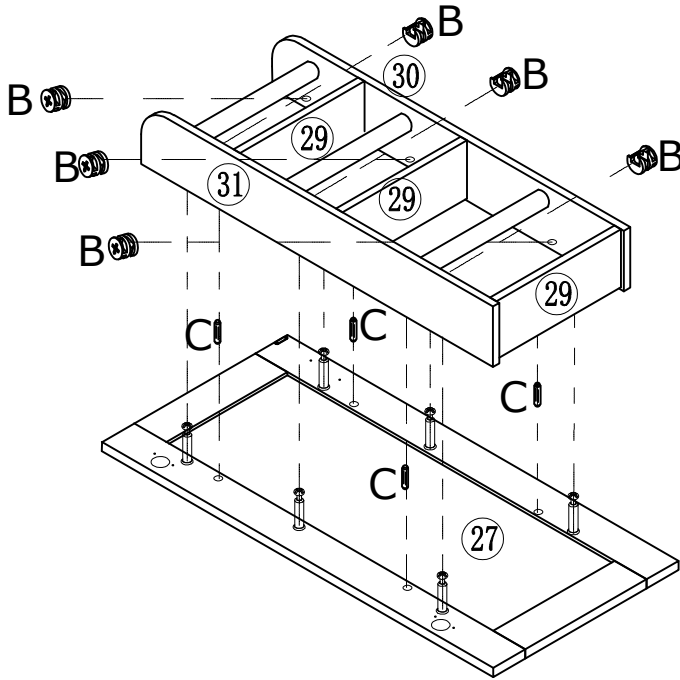
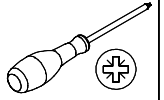


CRB1595A

C x 4



CRF0830A

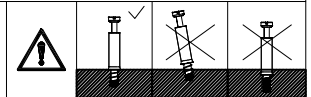
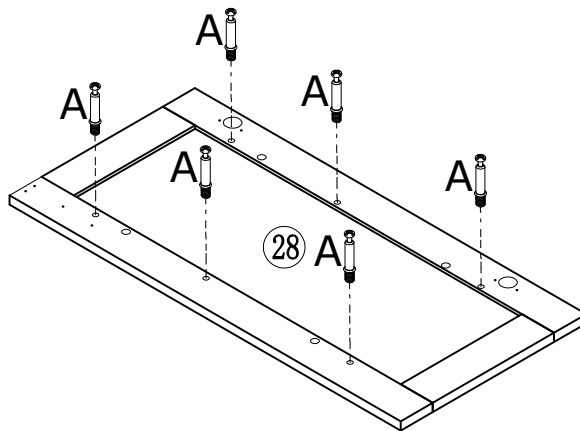
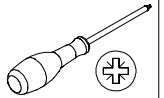


41

A x 6



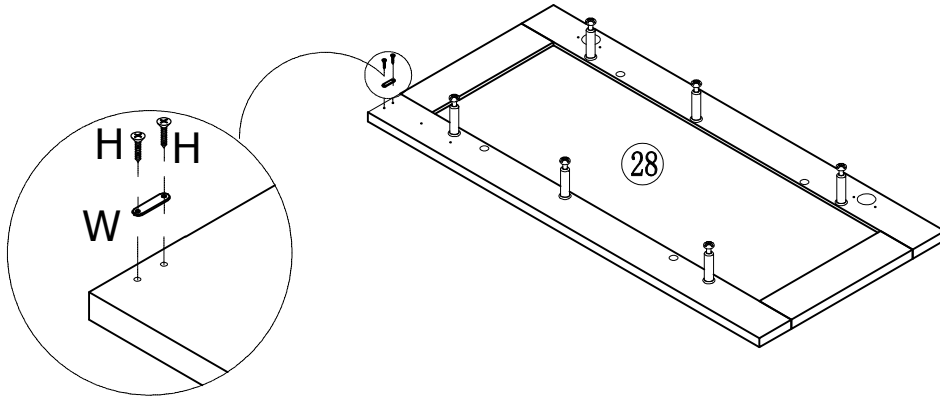
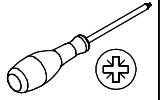
CRA0635A



42

W x 1
CP-T48-1X

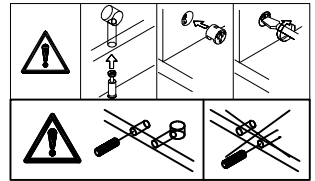
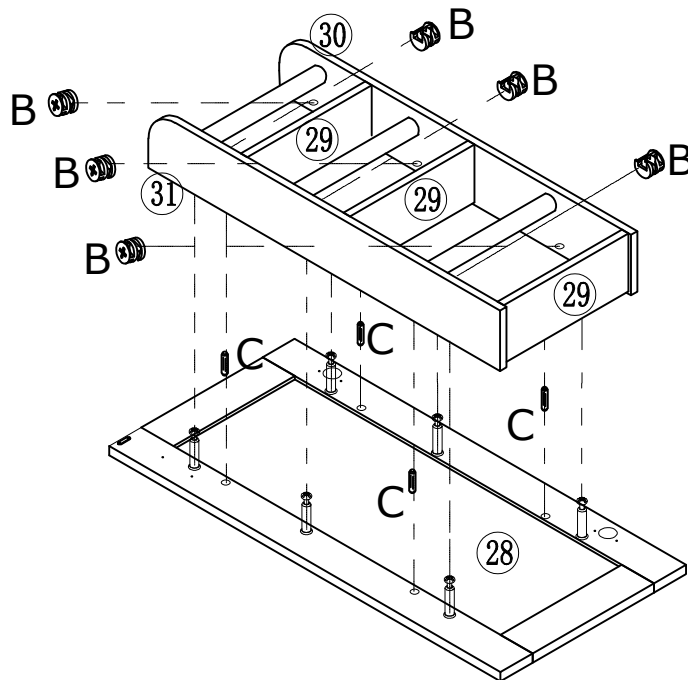
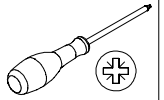
H x 2
CRD3512A



43

B x 6
CRB1595A

C x 4
CRF0830A

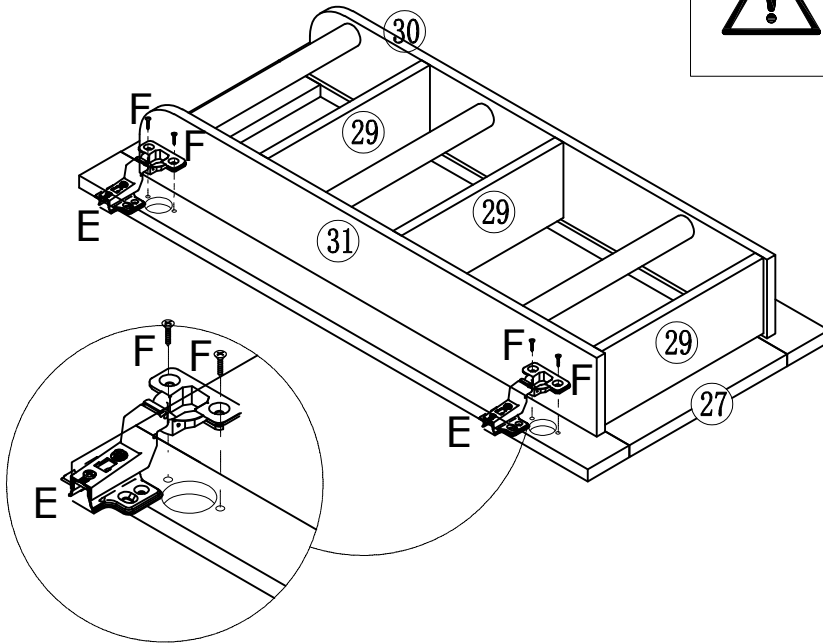
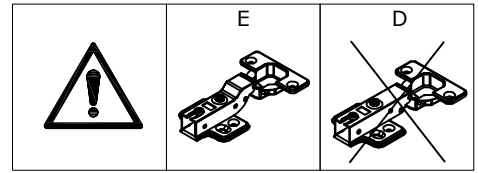
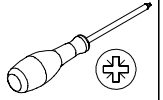


44

E x 2
33120032

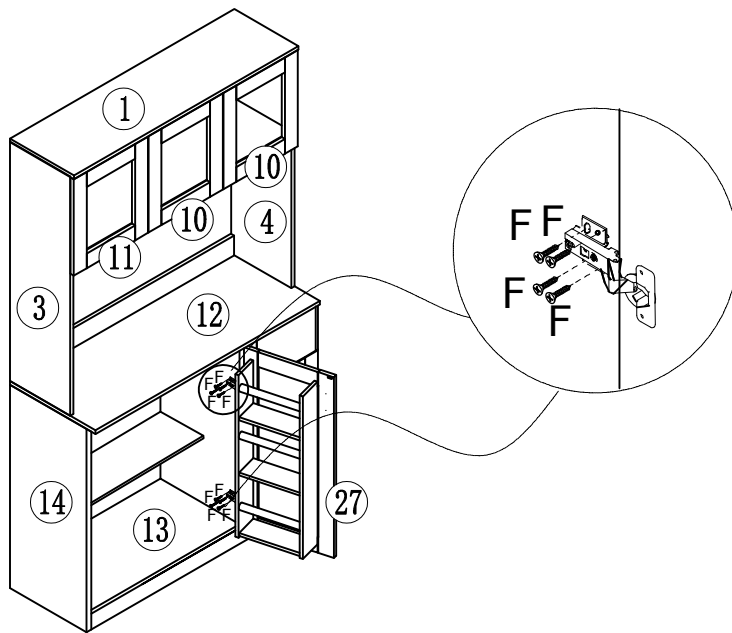
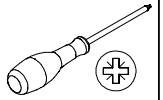


F x 4
CRD3514A



45

F x 8
CRD3514A



46

D x 2

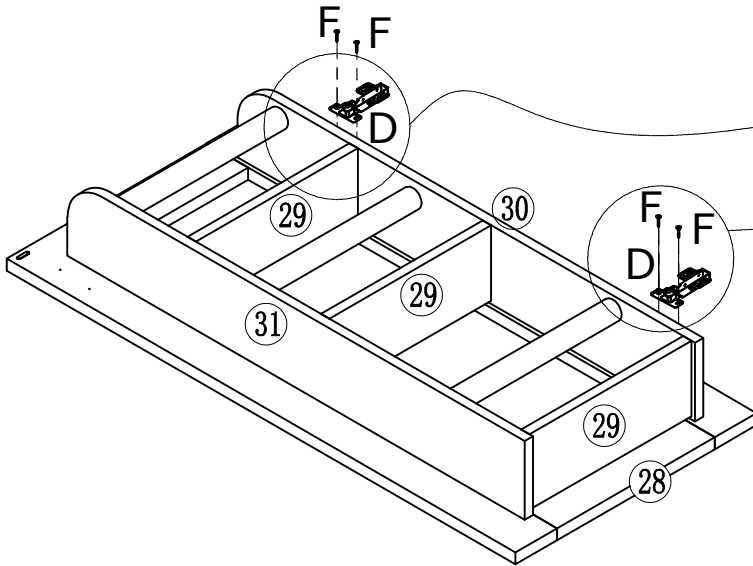
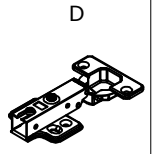
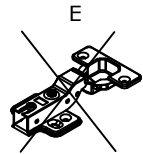
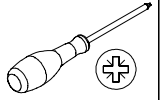


33120031

F x 4



CRD3514A

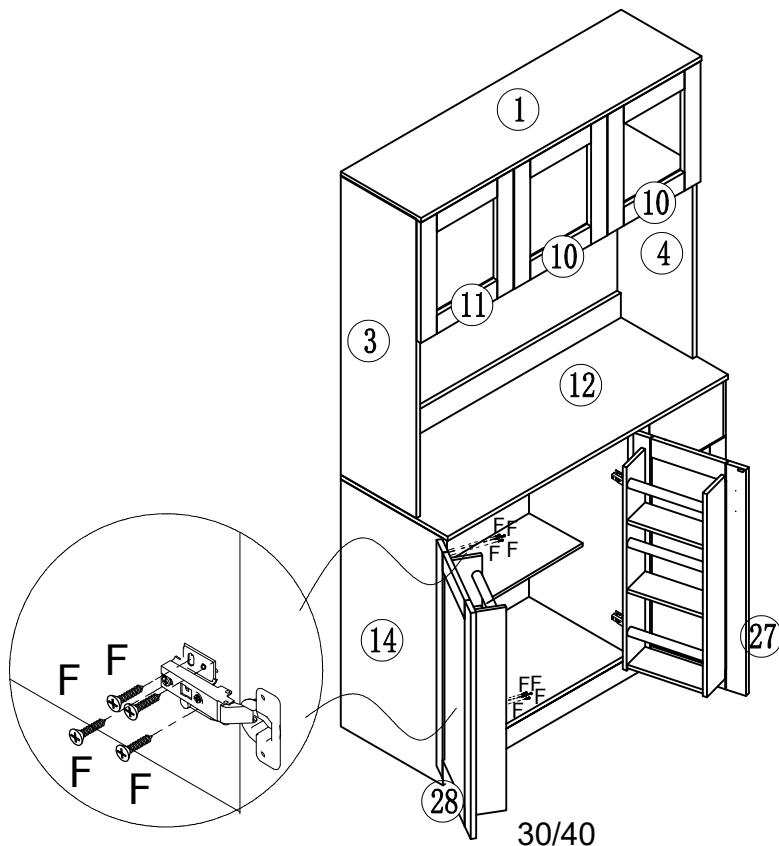
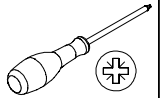


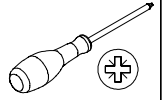
47

F x 8



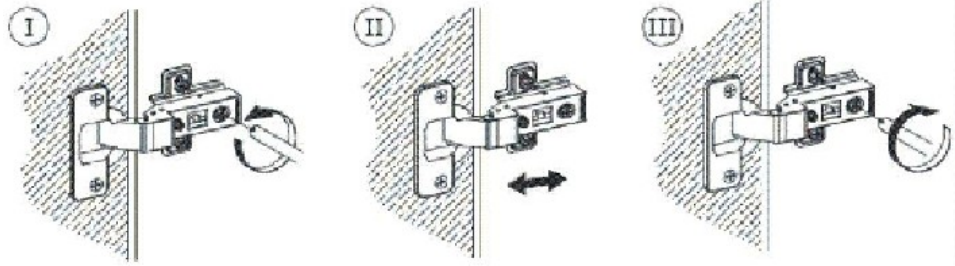
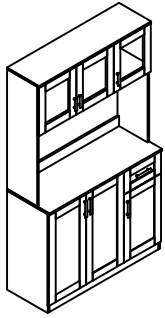
CRD3514A



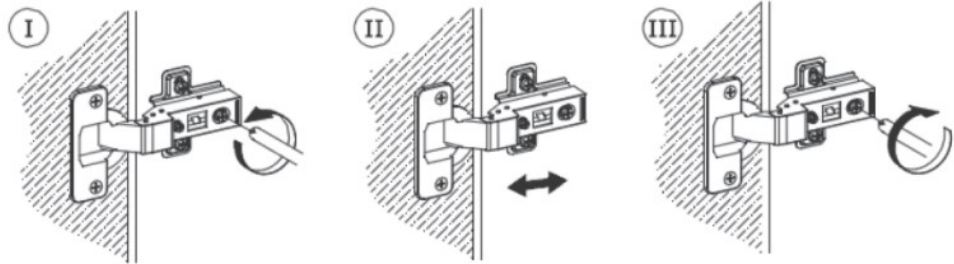
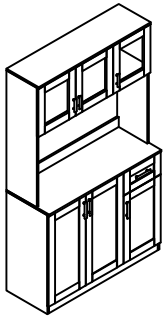


You MAY need do hing adjustment to sure the doors align well.

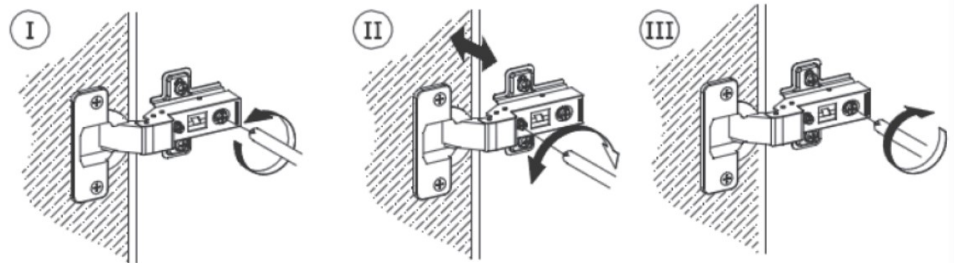
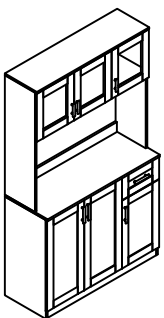
Up & Down Adjustment



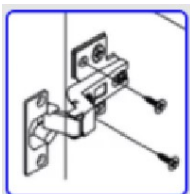
Left & Right Adjustment



Forward & Back Adjustment



Tighten the screws.



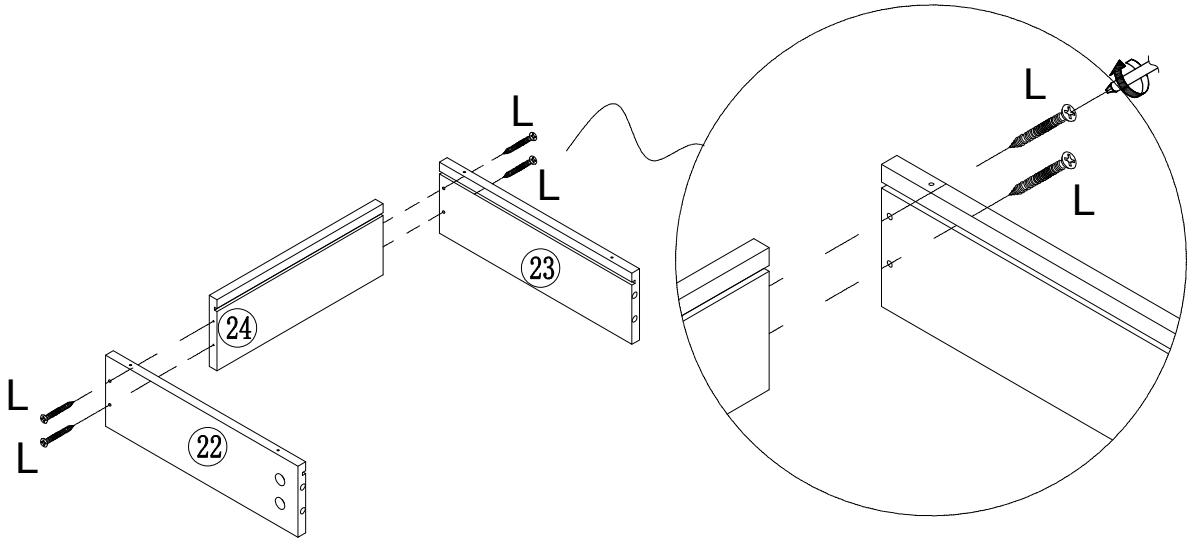
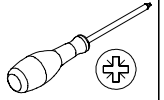
The adjustment is complete,
now tighten the screws to
secure the position.

49

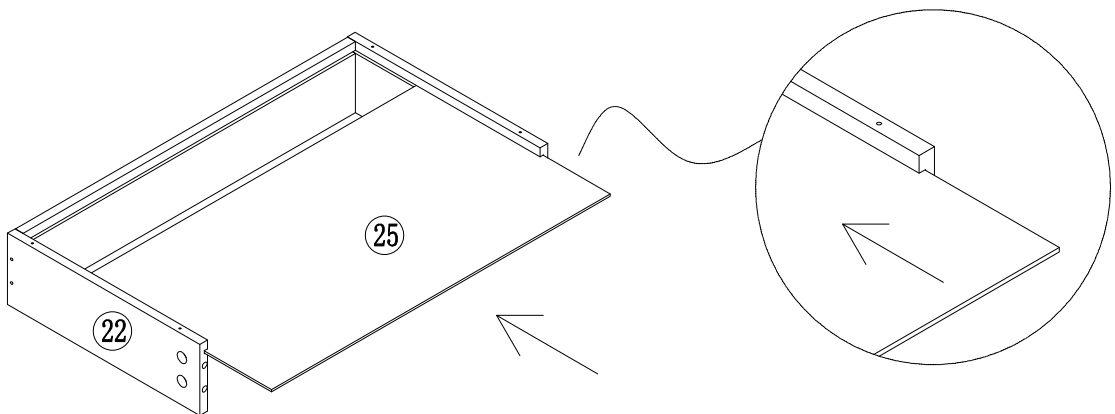
L x 4



CRD0430A



50

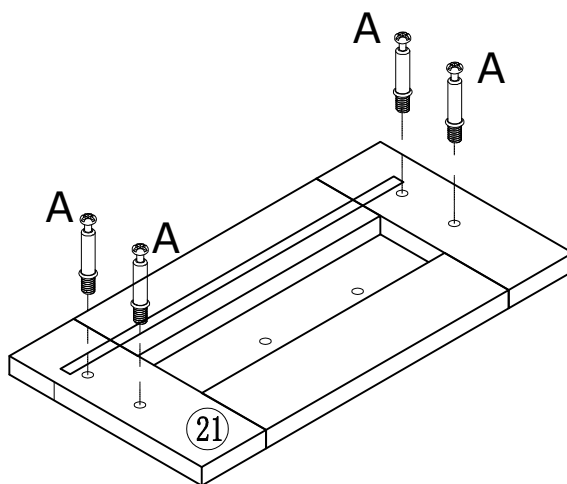
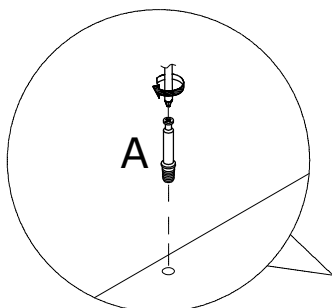
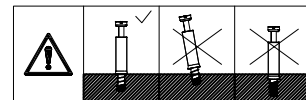
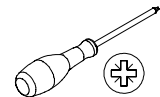


51

A x 4



CRA0635A

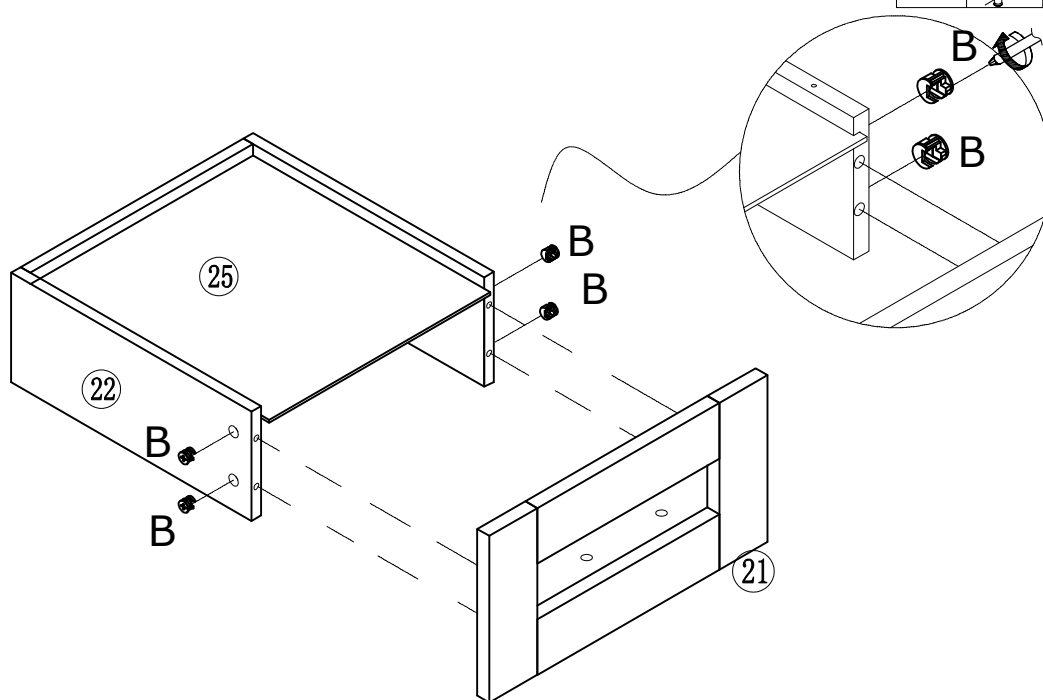
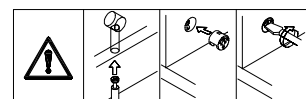
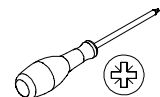


52

B x 4

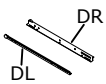


CRB1595A



53

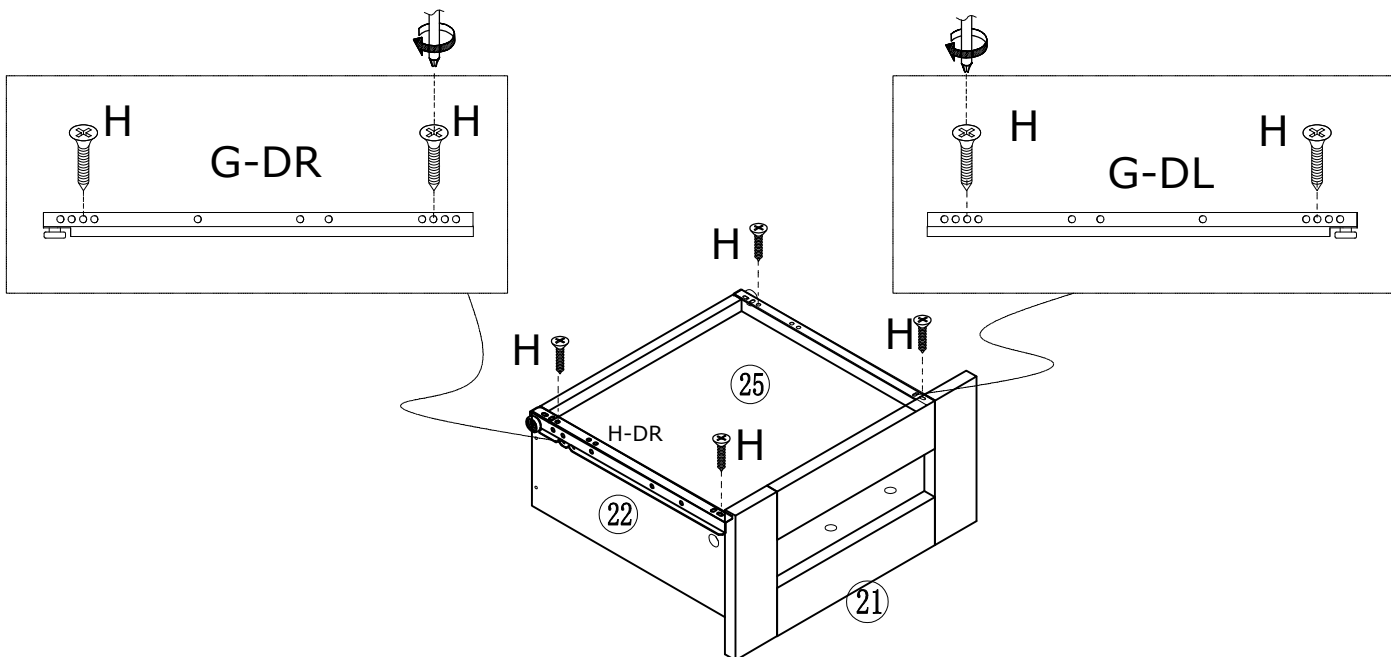
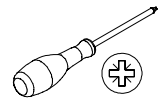
G x 1



H x 4



CRD3512A



54

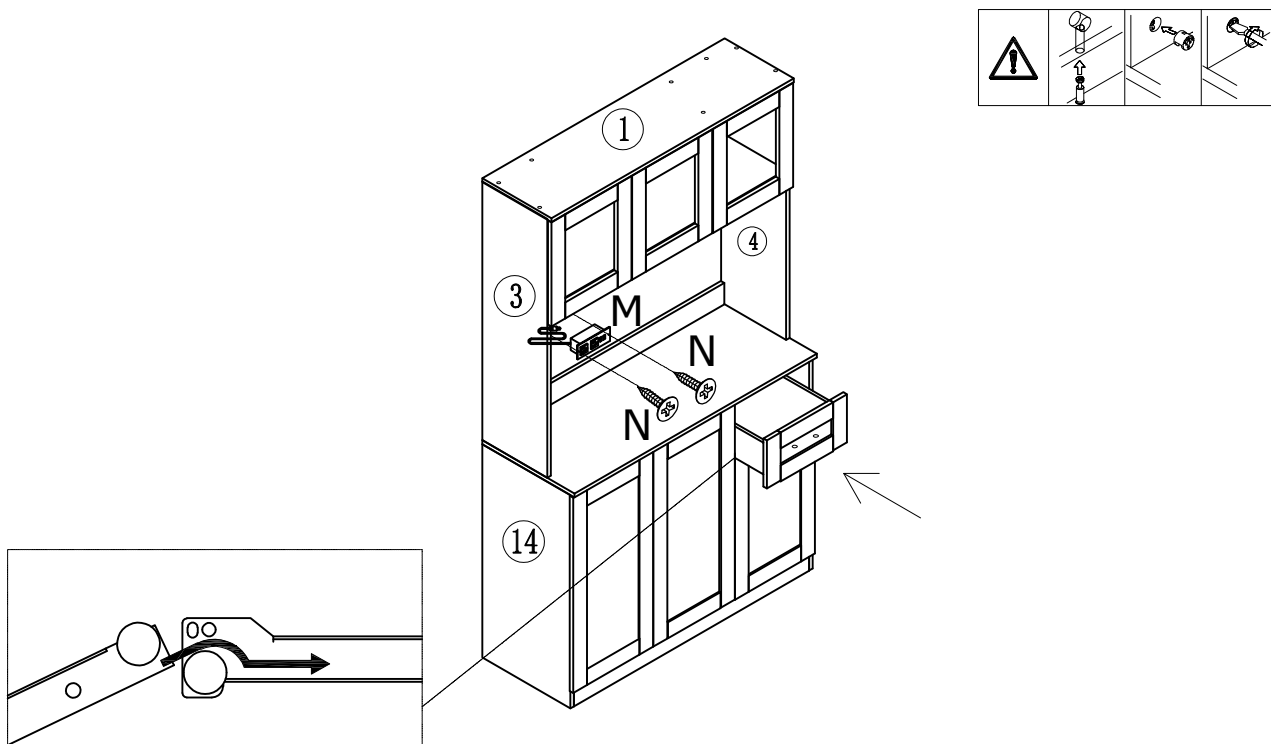
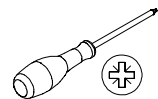
M x 1



N x 2

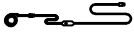


CRD3516A

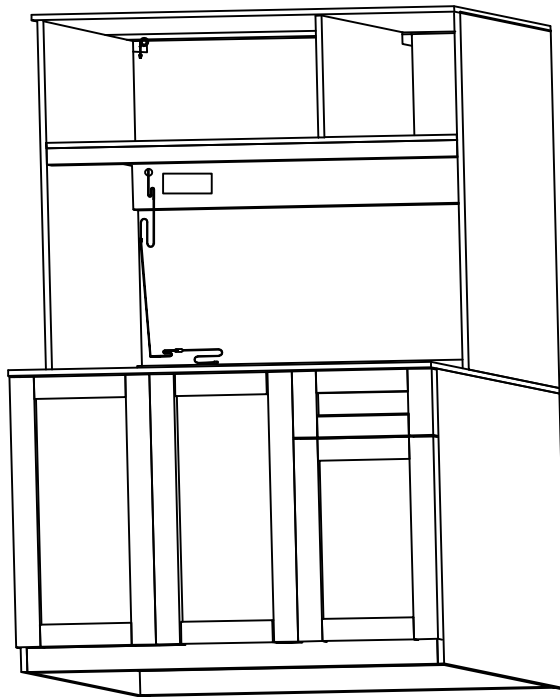
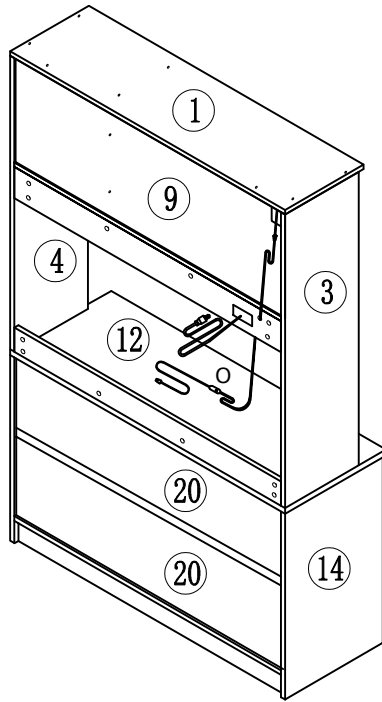
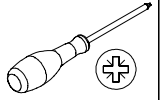


55

0 x 1



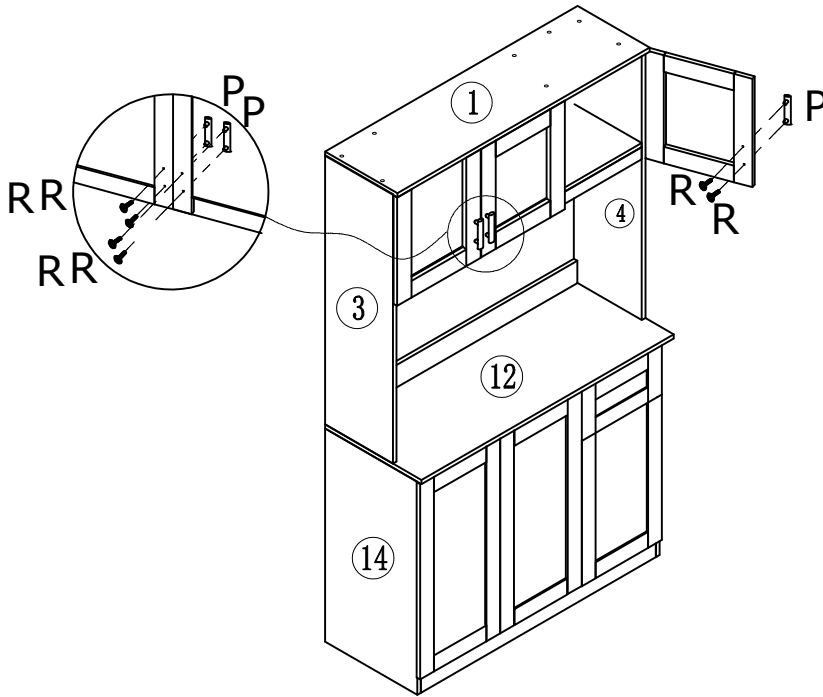
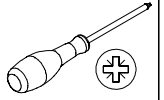
DD-460062US



56

P x 3
SCFL-LS 64mm

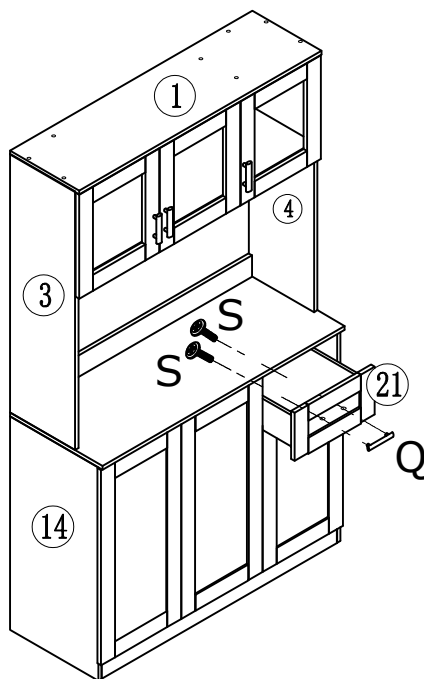
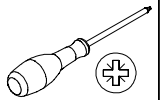
R x 6
CRE0422A



57

Q x 1
SCFL-LS 96mm

S x 2
CRE0412A



58

Q x 1

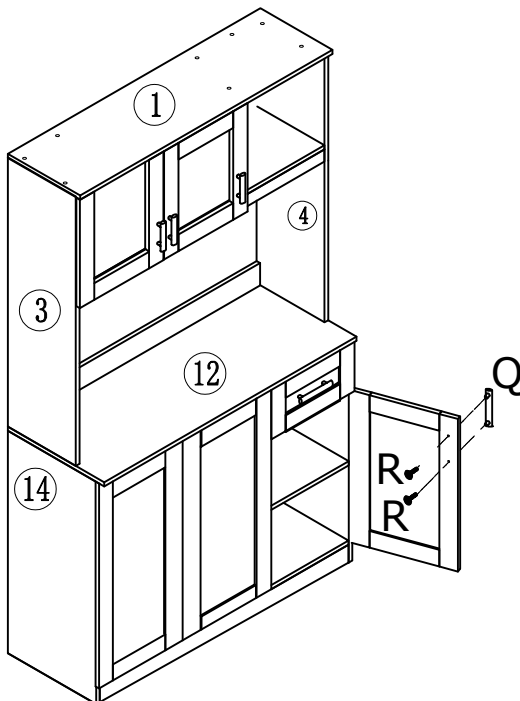
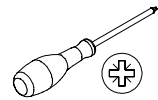


SCFL-LS 96mm

R x 2



CRE0422A



59

Q x 2

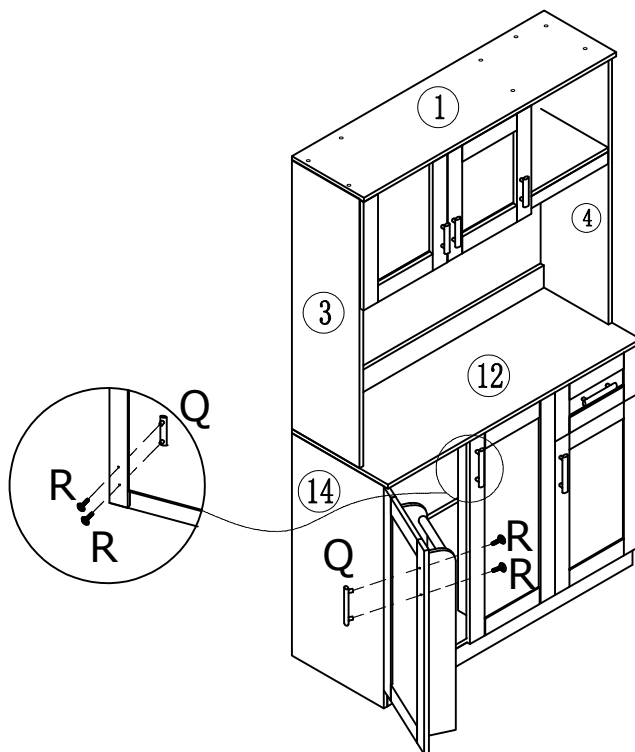
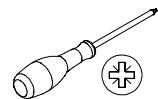


SCFL-LS 96mm

R x 4

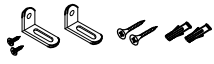


CRE0422A

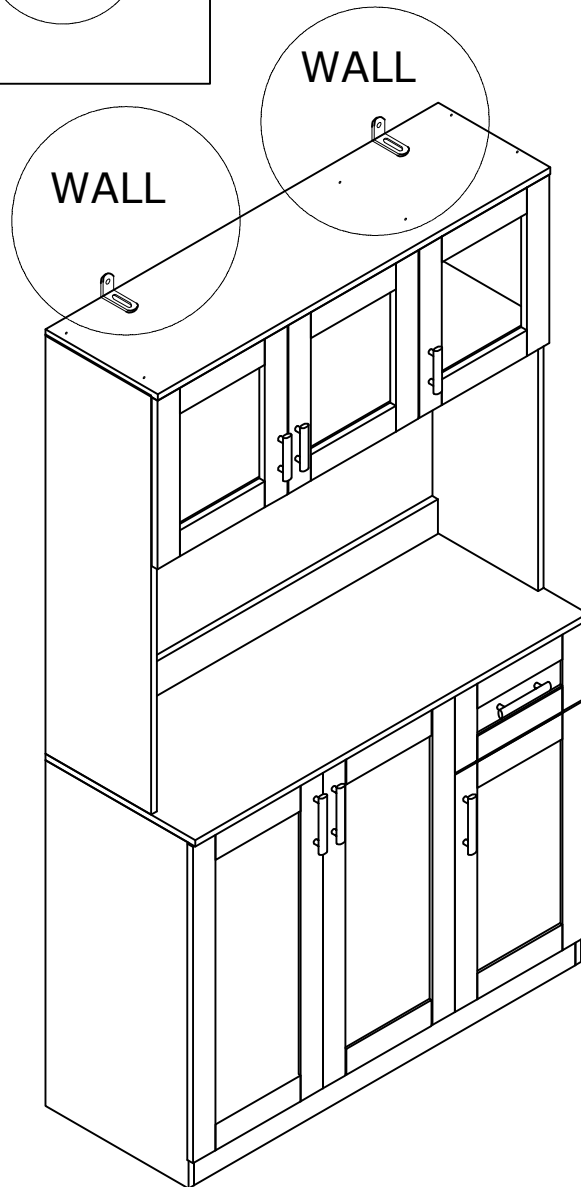
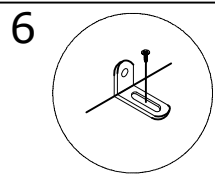
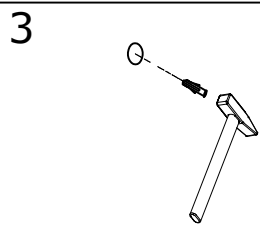
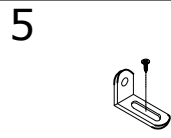
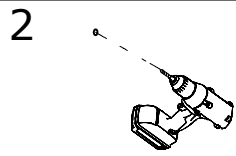
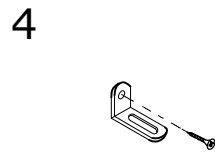
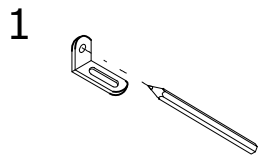
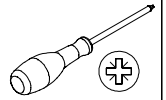
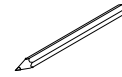
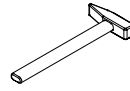


60

T x 1



FDQ-0002



WARRANTY

WARRANTY CLAIMS

- There is a 30-day warranty for broken furniture or any other problems that cause improper function. The warranty starts from the date of purchase and requires proof of purchase.
- The product must be used in accordance with the provided instructions.
- For other reasons, if the furniture needs to be returned, it must be cleaned, dried, and operated within 30 days of receipt.

Type of Warranty Claim

Failure to follow the furniture instructions will invalidate the warranty. Please note, the warranty does not cover damage during installation, but does cover damage incurred during transportation.

Scope of Responsibility

We are not responsible for misuse, user damage, or loss of parts during the installation of the furniture. Additionally, any damage or scratches incurred after use are not covered by the warranty.

WARRANTY CLAIMS

The warranty for products purchased in the U.S. covers the following areas:

- Sheet parts: 1 month from the date of purchase.
- Electrical parts: 1 month from the date of purchase.

AFTER-SALES CONTACT



Furniture-AfterSales@outlook.com

RETURNS

Changed your mind and need to return your item?

Please follow the instructions below:

- If you have purchased the item and simply changed your mind, please follow the retailer's return instructions.

DEFECTIVE ITEMS

- If your item is defective in any way, meaning it doesn't work but you cannot identify the cause, please first consult our FAQ section at Furniture-AfterSales@outlook.com, as there may be a simple solution to the issue.

DAMAGED ITEMS

- If you receive an order with obvious shipping damage, we suggest refusing the delivery. If the delivery has already been accepted and you later find shipping damage, please follow the specific instructions provided by the retailer.
- In all cases, please keep all packaging materials and paperwork related to the order.
- Please be aware that if you dispose of packaging materials or attempt to return the item without contacting the retailer, you may risk losing your chance to file a claim, and you may not receive credit for the return.

AFTER-SALES CONTACT



Furniture-AfterSales@outlook.com