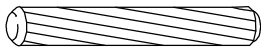

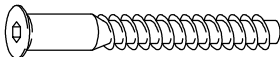
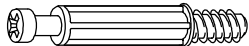

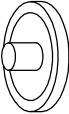









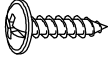

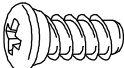

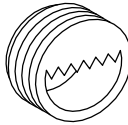
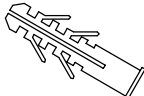
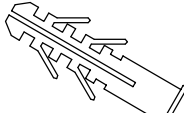
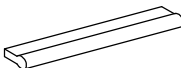
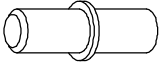

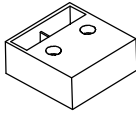
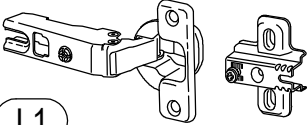
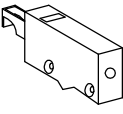


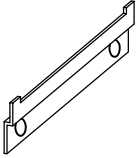
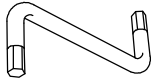


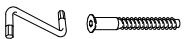
 (A1) 0,31*1,18 in x56	 (A1) 0,31*1,97 in x4	 (B) x30
 (B1) 0,25*1,97 in x30	 (C1) 0,20*1,18 in x38	 (C2) 0,31*2,20 in x4
 (D) x46	 (D1) 0,63 in x46	 (E3) 0,12*0,79 in x26
 (E4) 0,14*0,63 in x40	 (E6) 0,14*0,98 in x16	 (E11) 0,16*1,18 in x8
 (E12) 0,16*1,38 in x24	 (E15) 0,16*2,36 in x2	 (E21) 0,24*2,36 in x8
 (Ea1) 0,14*1,06 in x18	 (Ea2) 0,17*0,63 in x16	 (F2) 0,25*0,51 in x28
 (F3) 0,25*0,51 in x2	 (H2) x28	 (H4) x2
 (H5) 0,31*1,97 in x2	 (H6) 0,39*1,97 in x8	 (I9) x6

 J1 0,20*0,63 in x24	 J3 x16	 K4 x12
 L1 x14	 N1 x4	 N4 2R+2L x4
 O1 x10	 O4 x4	 R4 N°4 x1
 U3 x12	 U7 x12	

A

No	a*b	x	N°→...
1L	11,34x16,69 in	x1	2/5
1R	11,34x16,69 in	x1	2/5
2	11,26x16,69 in	x1	2/5
3	55,12x16,69 in	x1	1/5
4	55,12x16,69 in	x1	1/5
5	26,54x15,94 in	x1	2/5
6	22,05x3,15 in	x1	1/5
7	27,64x12,44 in	x1	4/5
8	54,13x11,69 in	x1	1/5
		x1	2/5

B

No	a*b	x	N°→...
1L	11,34x16,69 in	x1	2/5
1R	11,34x16,69 in	x1	2/5
2	11,26x16,69 in	x1	2/5
3	55,12x16,69 in	x1	1/5
4	55,12x11,69 in	x1	1/5
5	26,54x15,94 in	x1	2/5
6	22,05x3,15 in	x1	1/5
7	27,64x12,44 in	x1	4/5
8	54,13x11,69 in	x1	1/5

C

No	a*b	x	N ^o →...
1L	43,07x12,36 in	x1	3/5
1R	43,07x12,36 in	x1	3/5
2	43,07x11,18 in	x1	3/5
3	31,54x12,36 in	x1	1/5
4	31,54x12,36 in	x1	1/5
5	14,57x11,18 in	x1	1/5
6	15,0x11,18 in	x1	1/5
7	14,53x11,02 in	x2	1/5
8	14,72x11,02 in	x2	5/5
9	30,20x2,36 in	x1	1/5
10a	12,44x15,59 in	x1	4/5
10b	6,22x15,59 in	x1	4/5
10c	27,87x14,96 in	x1	5/5
11	44,17x15,59 in	x1	4/5
12	43,43x15,47 in	x1	4/5
13	43,43x15,04 in	x1	4/5

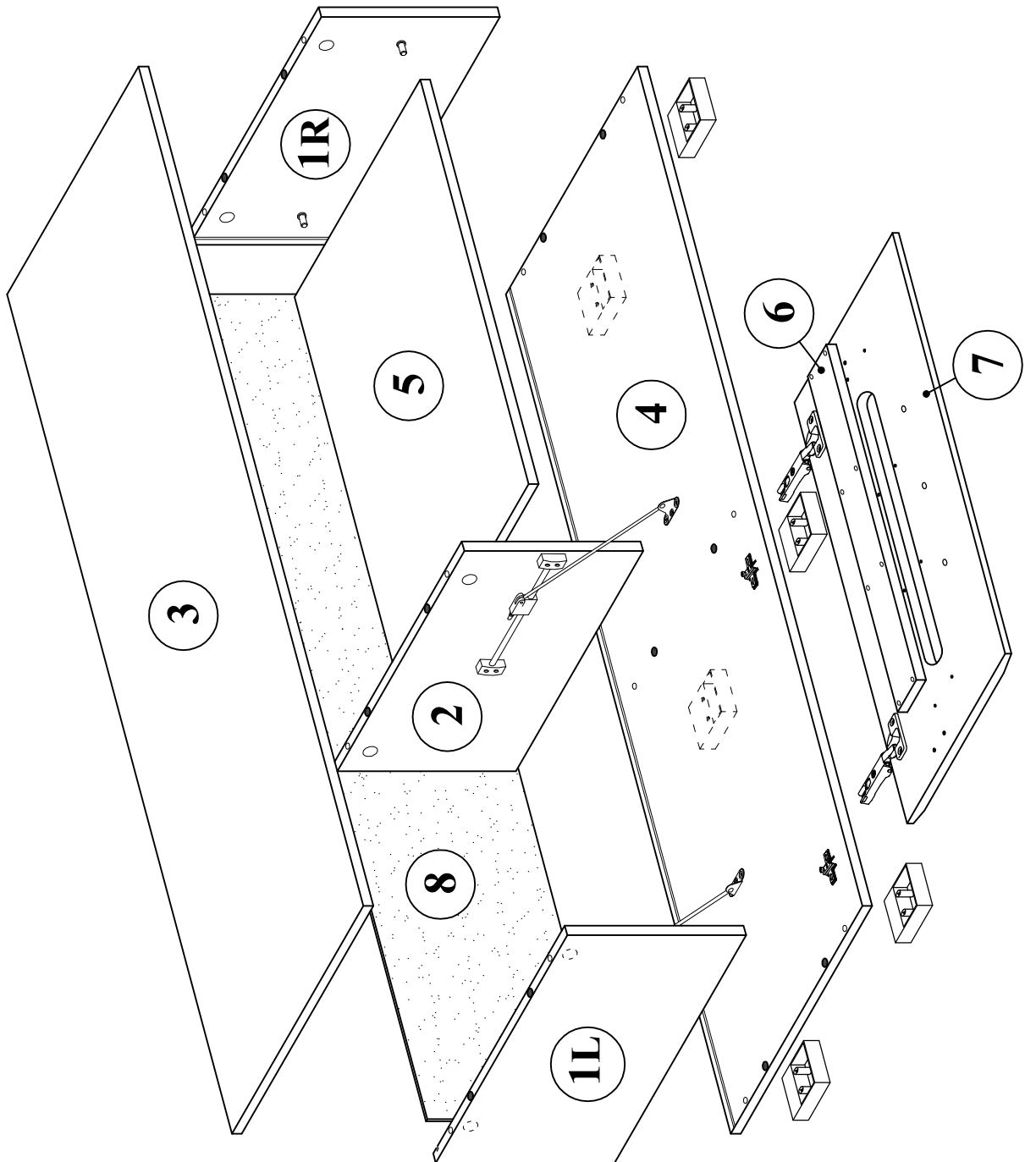
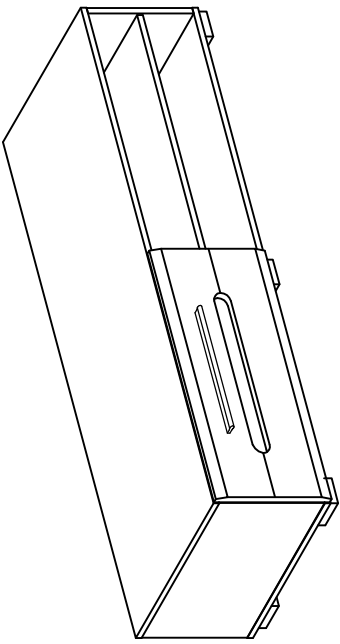
D

No	a*b	x	N ^o →...
1L	43,07x12,36 in	x1	3/5
1R	43,07x12,36 in	x1	3/5
2	43,07x11,18 in	x1	3/5
3	31,54x12,36 in	x1	1/5
4	31,54x12,36 in	x1	1/5
5	14,57x11,18 in	x1	1/5
6	15,0x11,18 in	x1	1/5
7	14,53x11,02 in	x2	1/5
8	14,72x11,02 in	x2	5/5
9	30,20x2,36 in	x1	1/5
10a	12,44x15,59 in	x1	4/5
10b	6,22x15,59 in	x1	4/5
10c	27,87x14,96 in	x1	5/5
11	44,17x15,59 in	x1	4/5
12	43,43x15,47 in	x1	4/5
13	43,43x15,04 in	x1	4/5


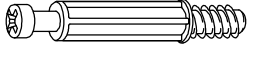

E

No	a*b	x	N ^o →...
1	39,37x8,82 in	x1	3/5
2	25,59x7,24 in	x2	2/5

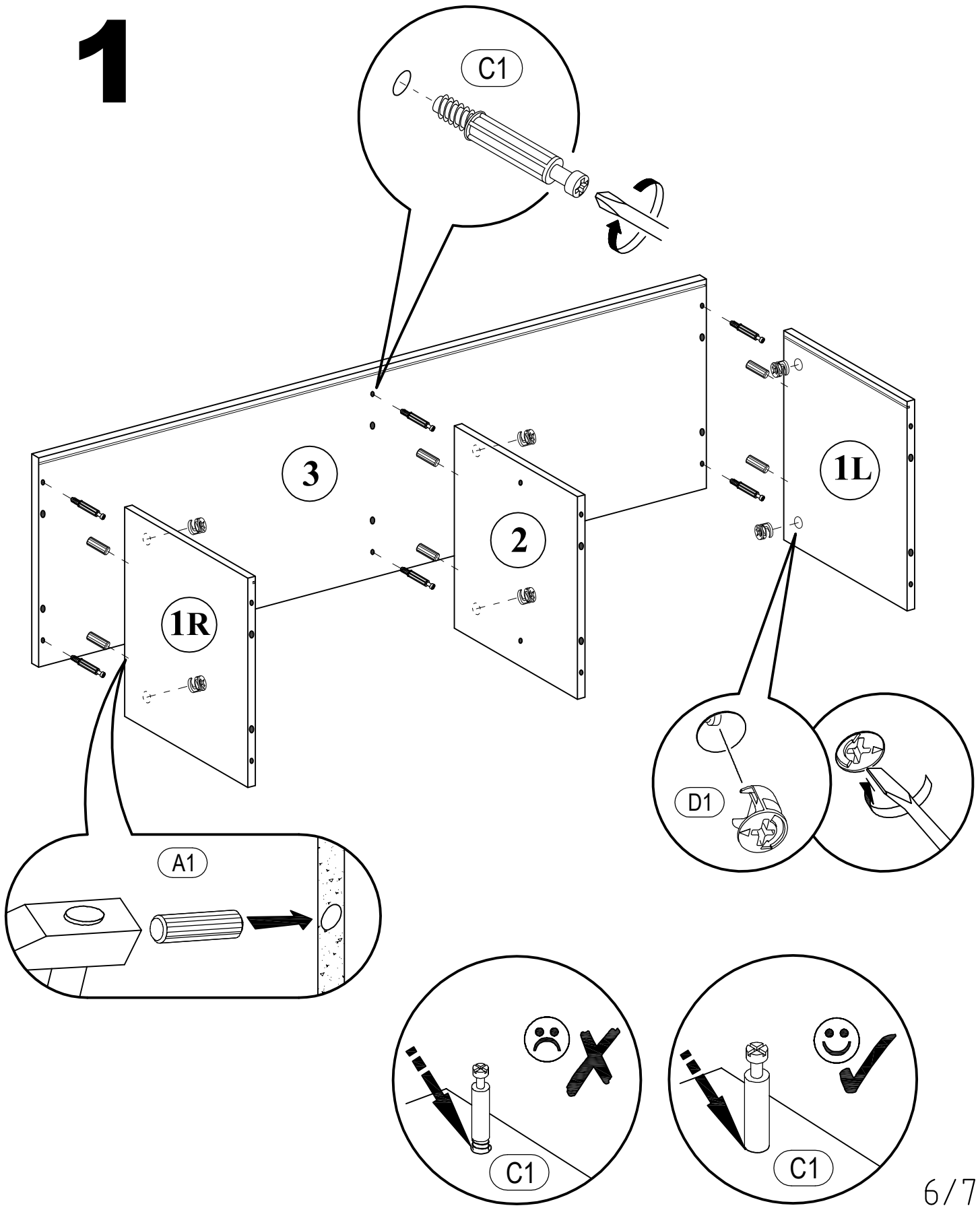
A




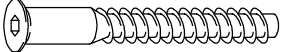
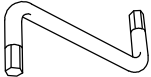
A

 A1 0,31*1,18 in x6	 C1 0,20*1,18 in x6	 D1 0,63 in x6
--	---	---

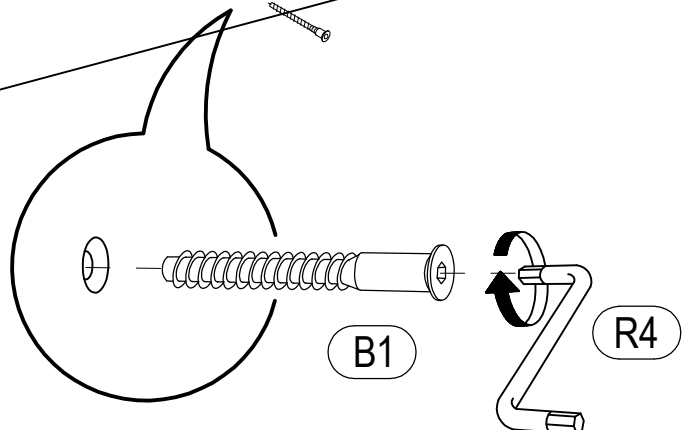
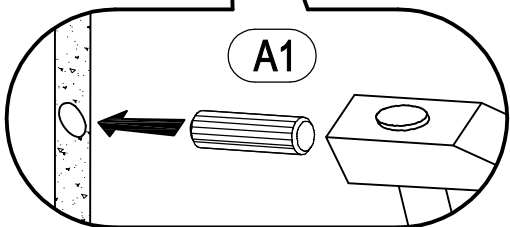
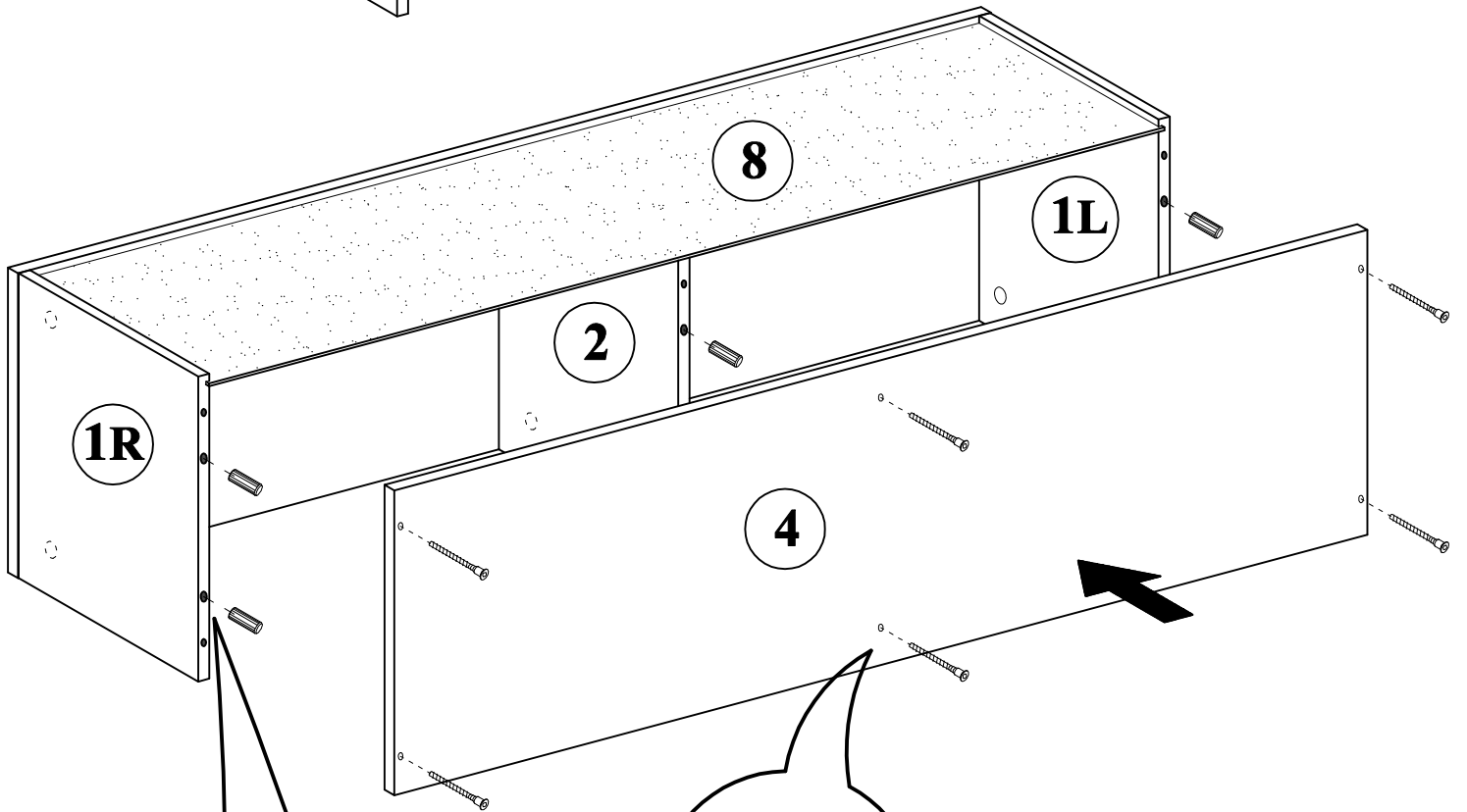
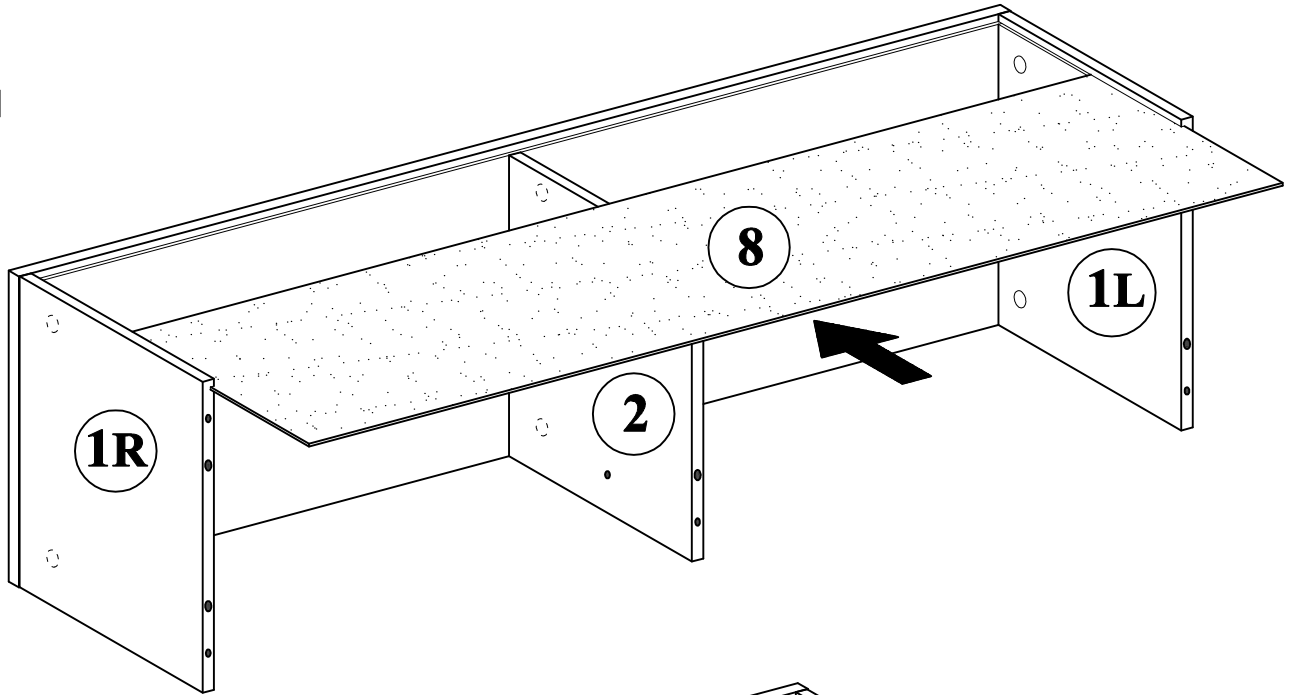
1



A

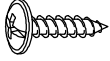
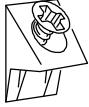
 A1 0,31*1,18 in x6	 B1 0,25*1,97 in x6	 R4 N°4 x1
--	---	---

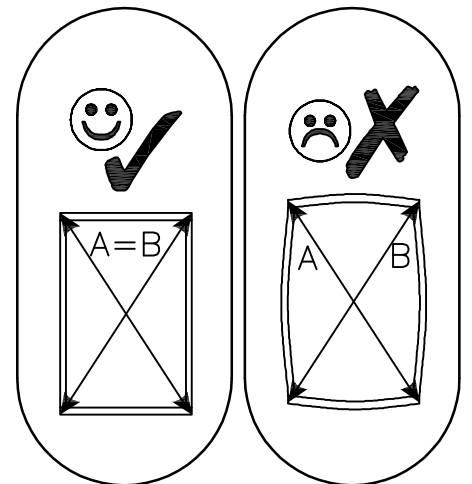
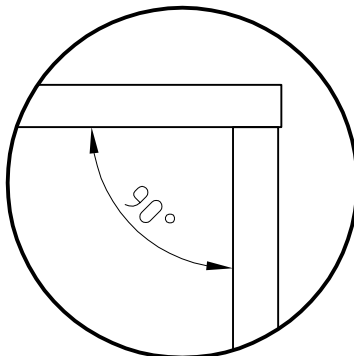
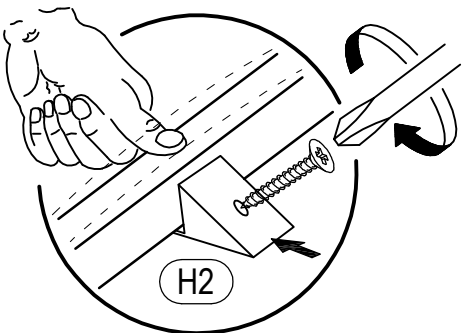
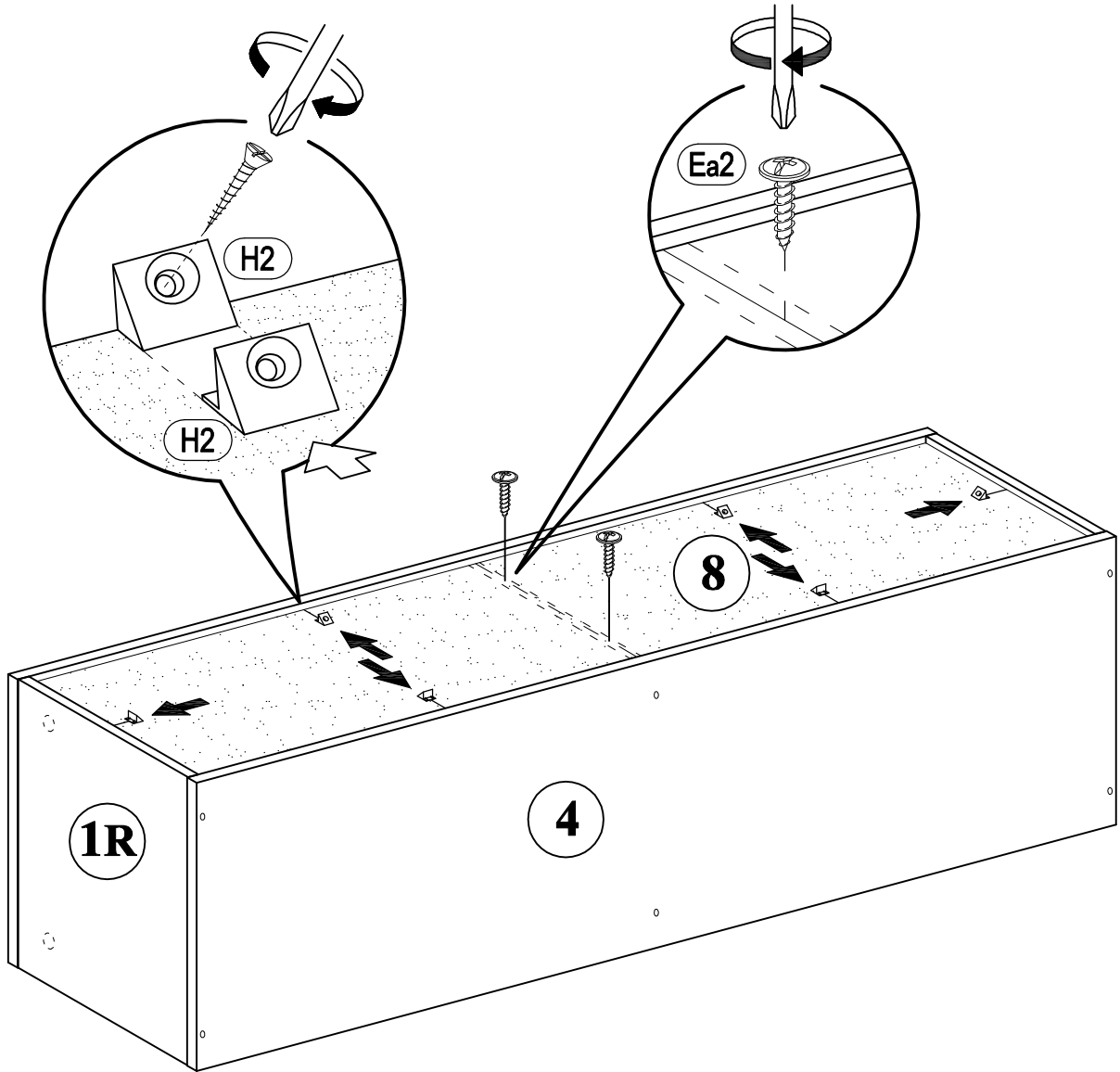
2




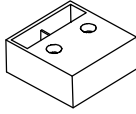
A

3

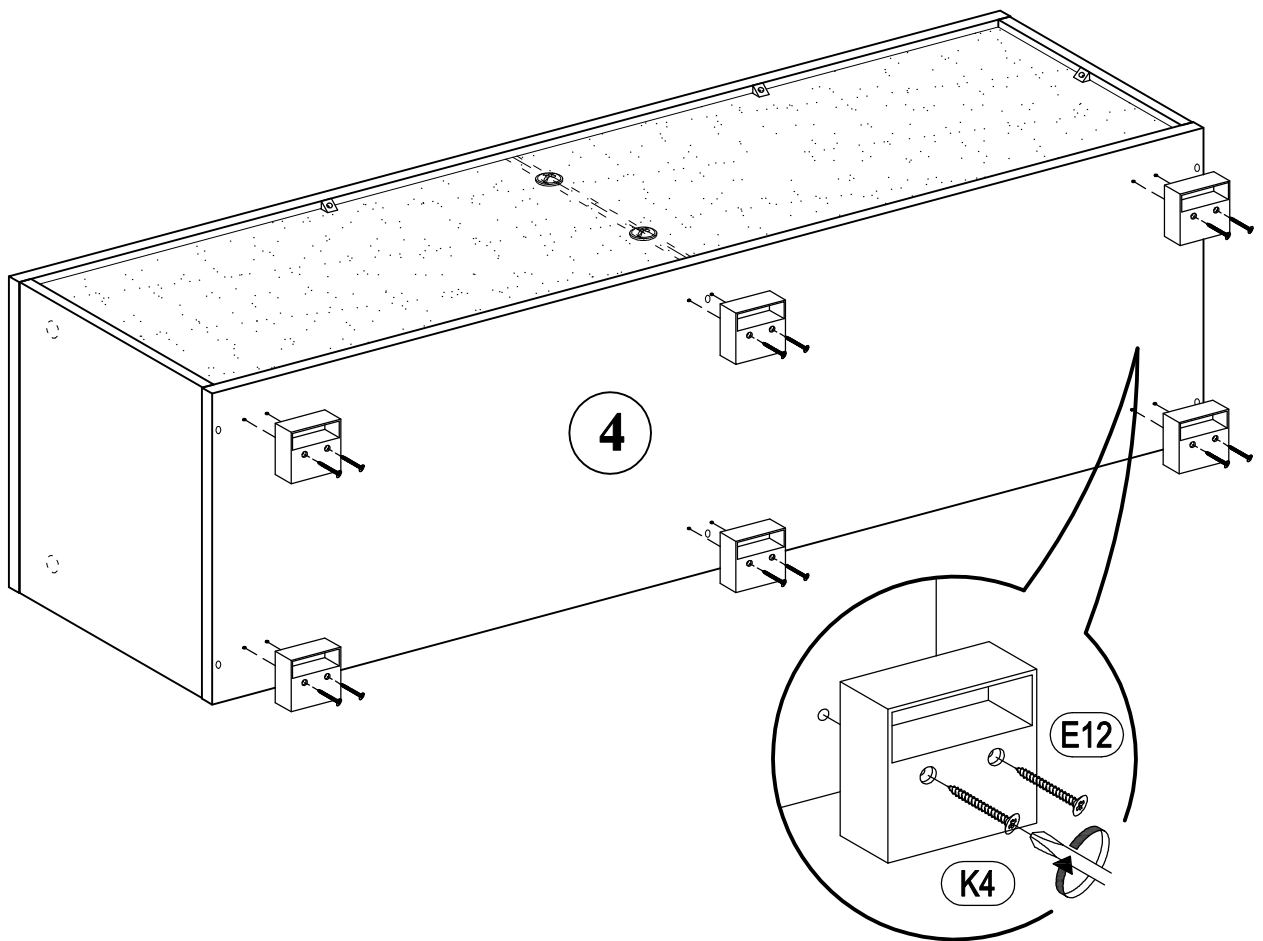
 Ea2 0,17*0,63 in x2	 H2 x6
--	--



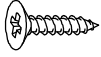

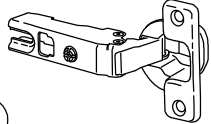
A

 E12 0,16*1,38 in x12	 K4 x6
---	--

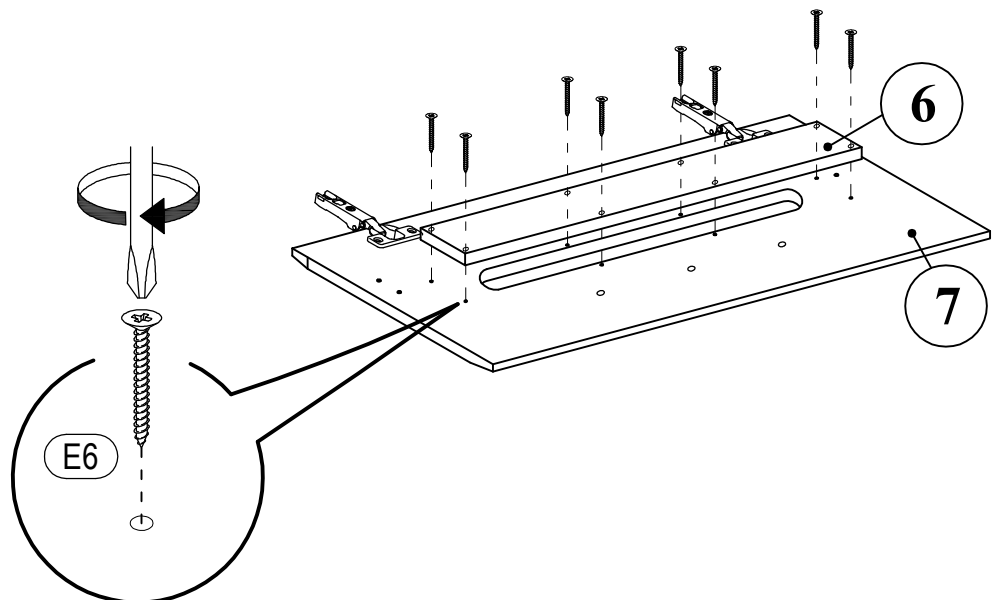
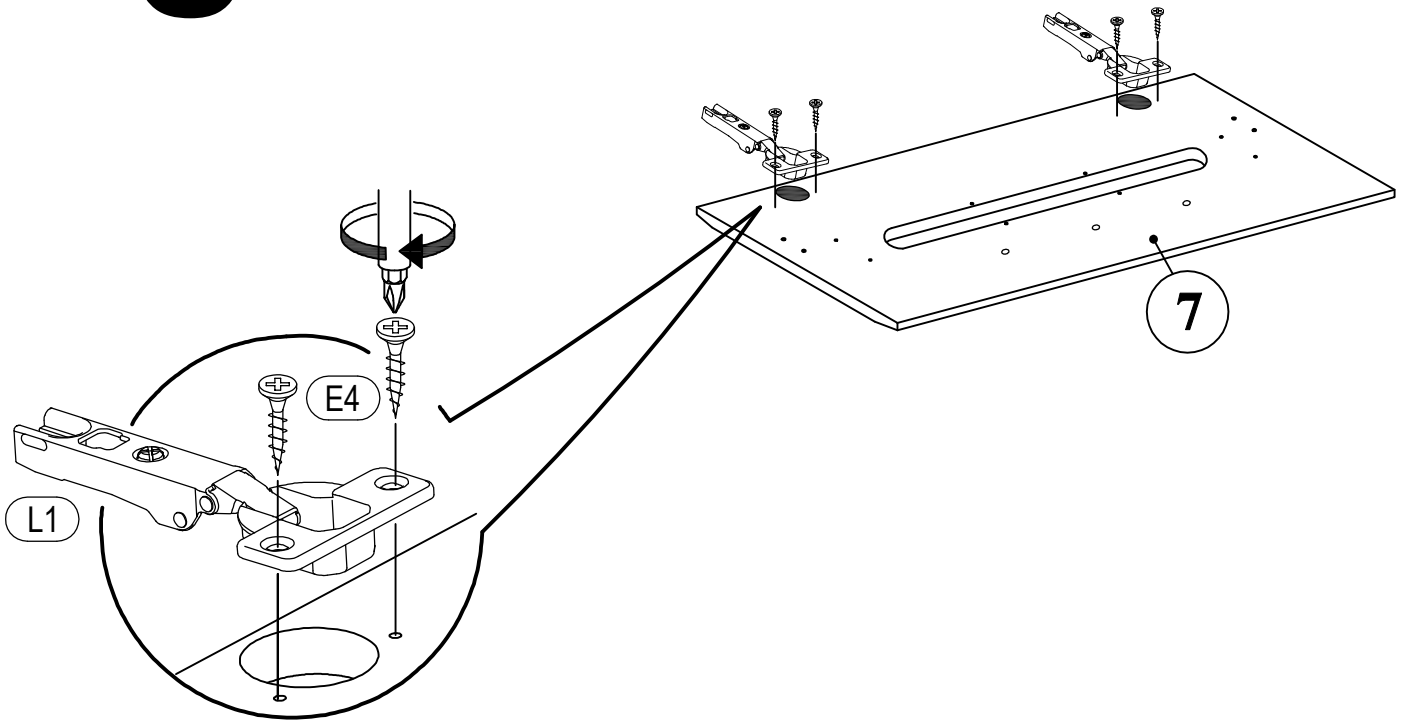
4





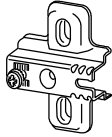
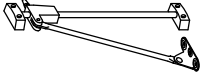
A

 <p>(E4) 0,14*0,63 in x4</p>	 <p>(E6) 0,14*0,98 in x8</p>	 <p>(L1) x2</p>
---	---	--

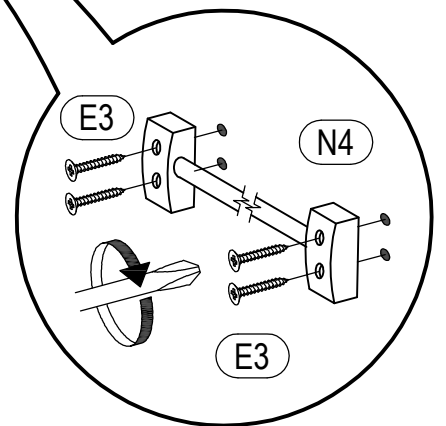
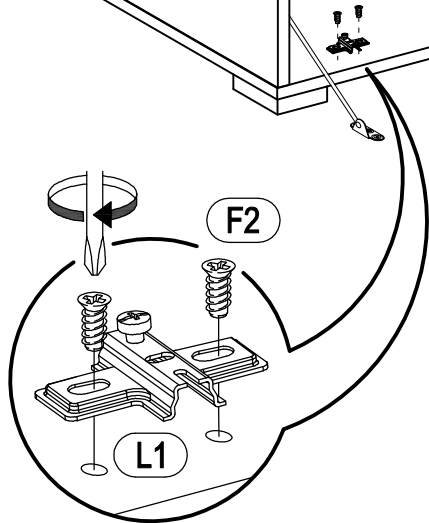
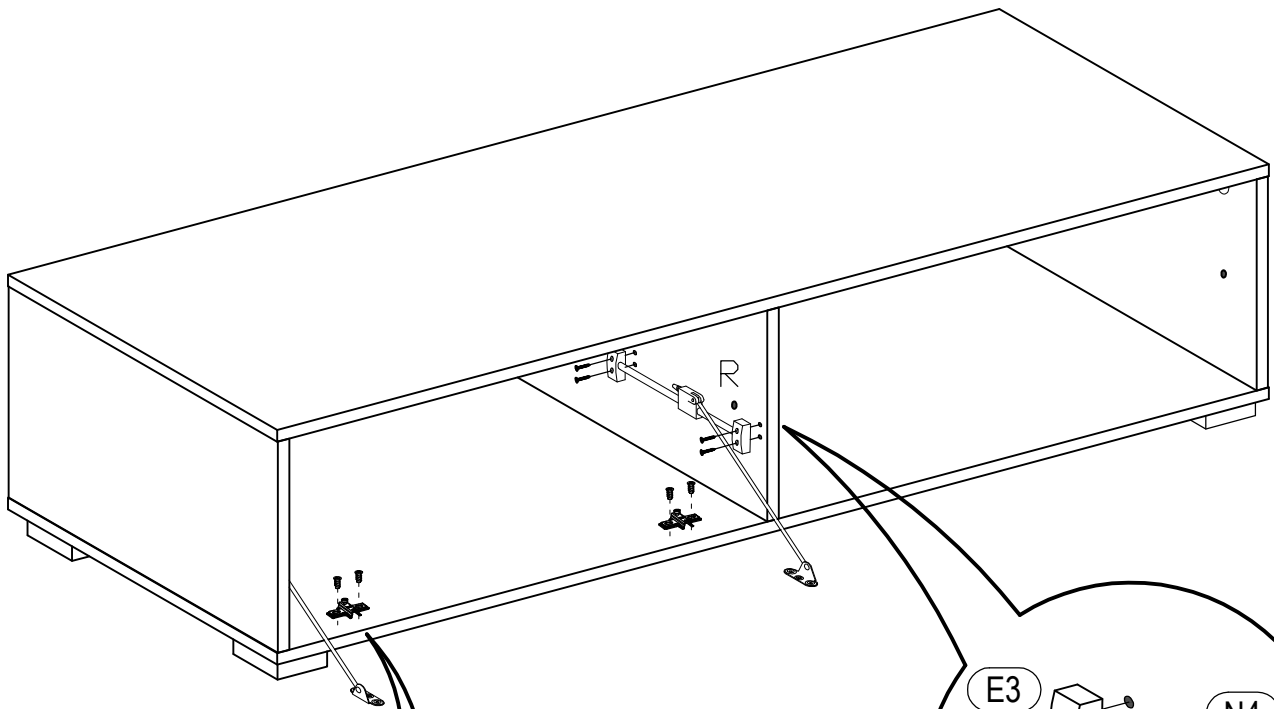
5



A

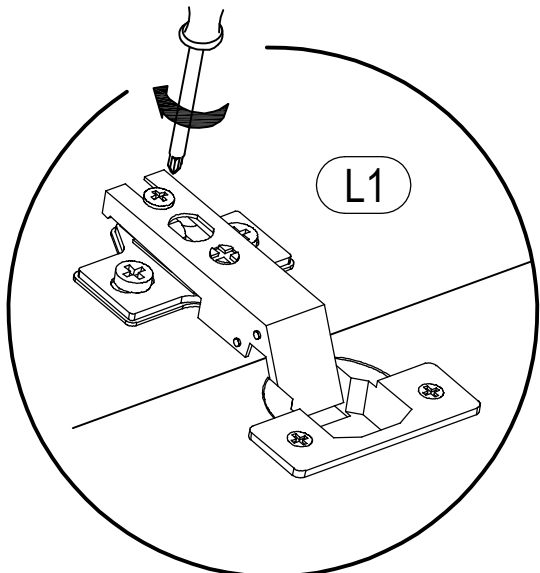
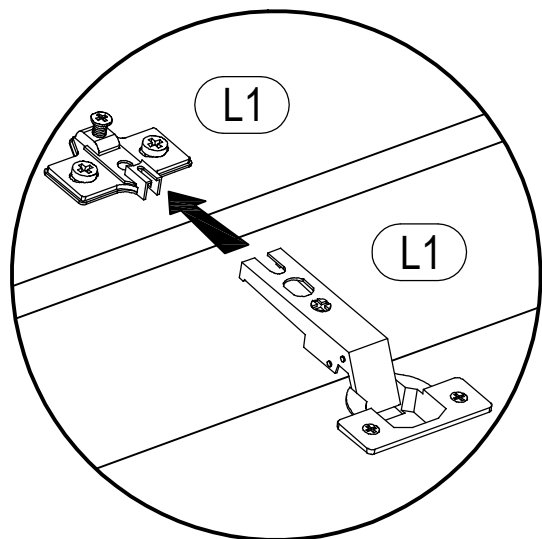
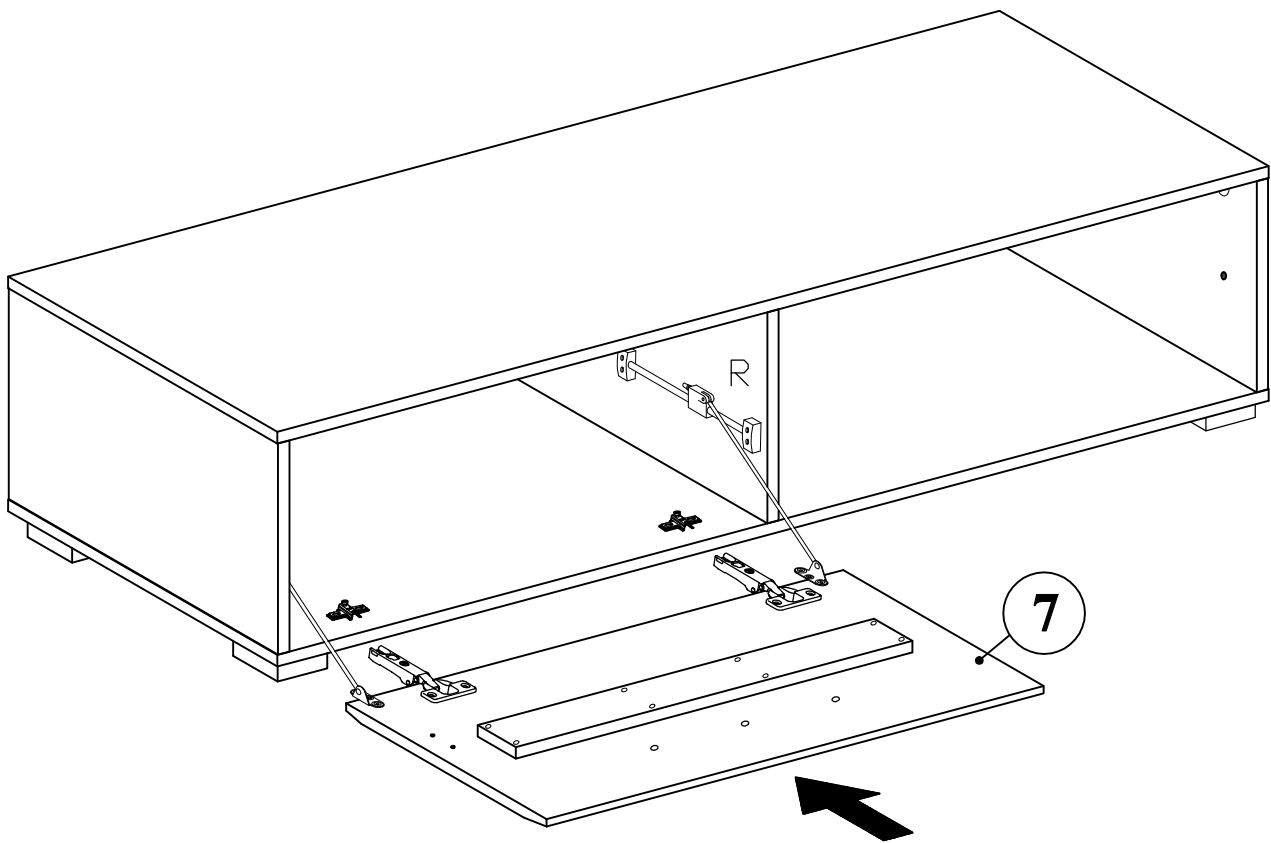
 E3 0,12*0,79 in x8	 F2 0,25*0,51 in x4	 L1 x2
		 N4 1R+1L x2

6



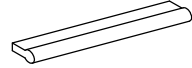


A

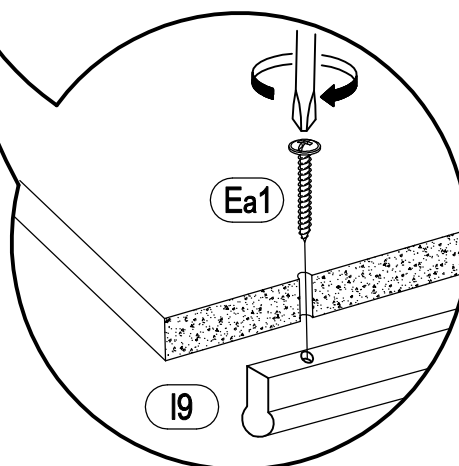
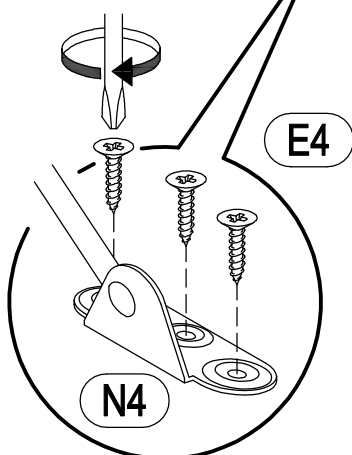
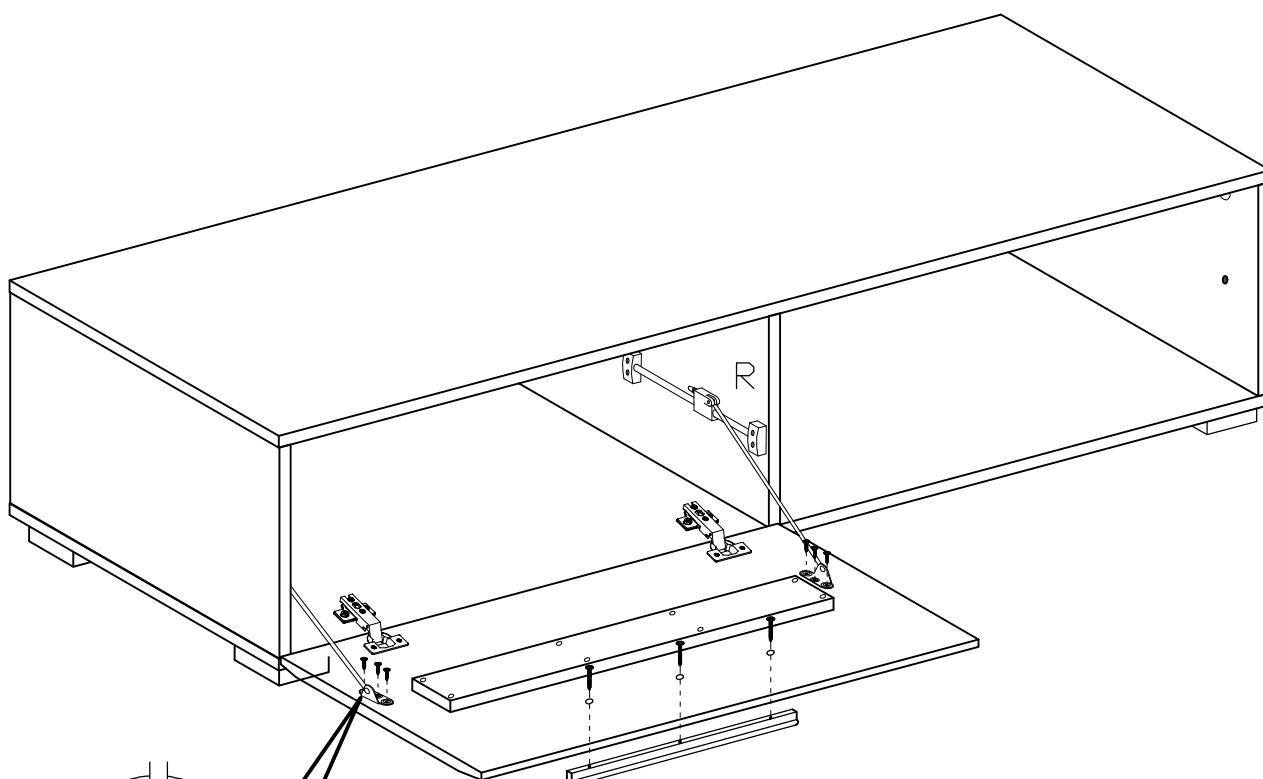
7




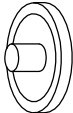


A

 E4 0,14*0,63 in x6	 Ea1 0,14*1,06 in x3	 I9 x1
---	--	--

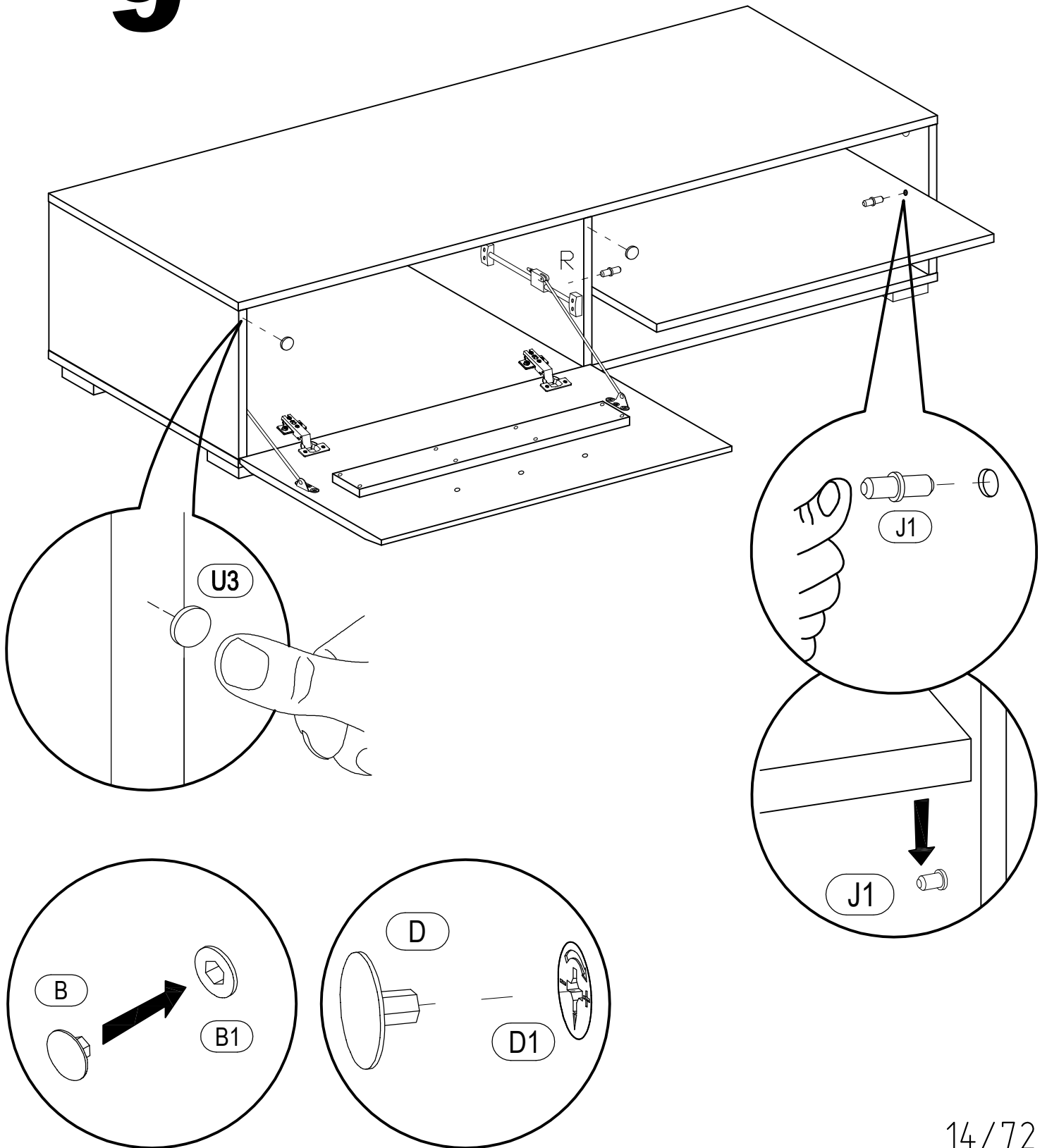
8



A

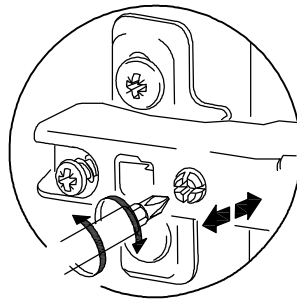
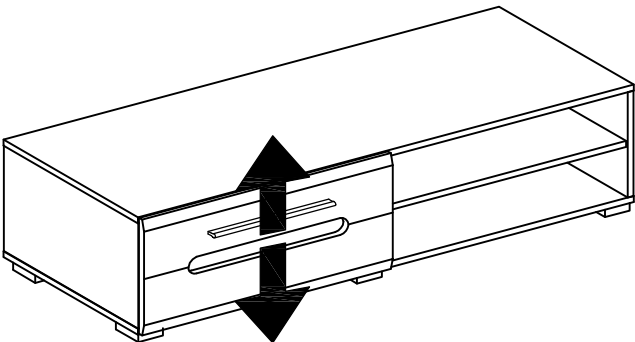
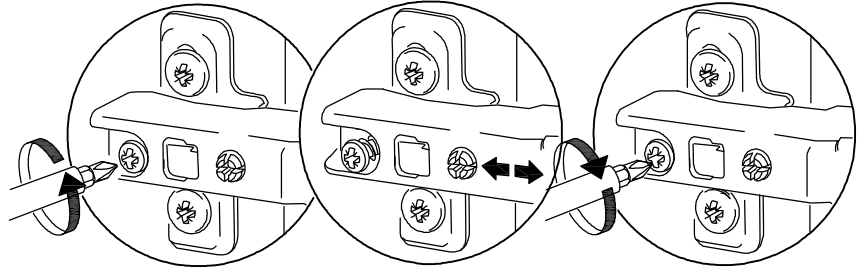
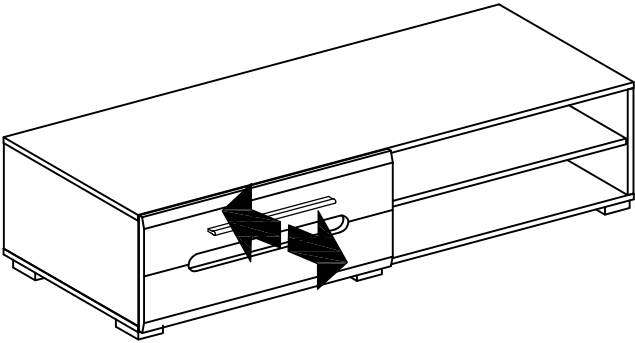
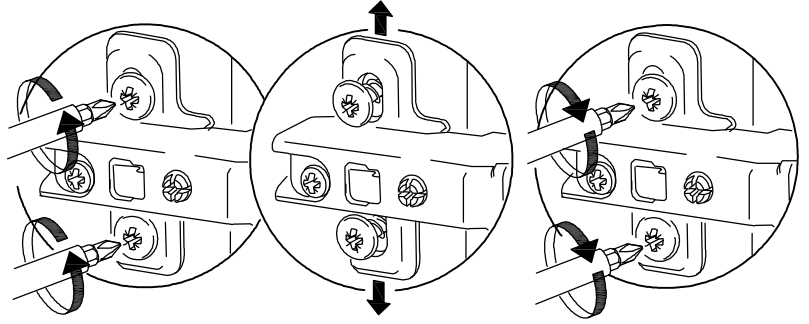
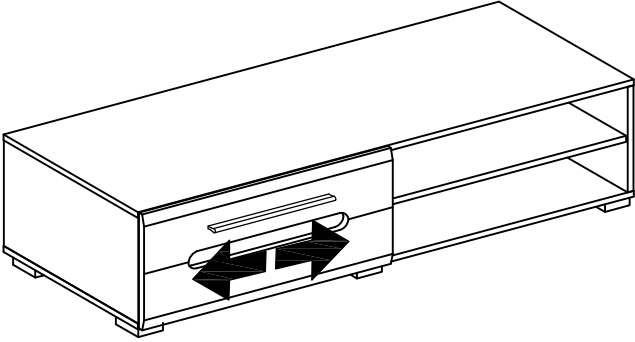
 B	x6	 D	x6	 J1 0,20*0,63 in	x4
		 U3	x2		

9

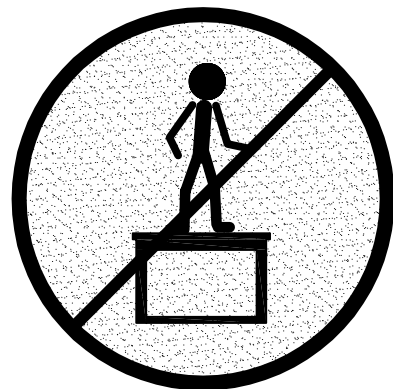
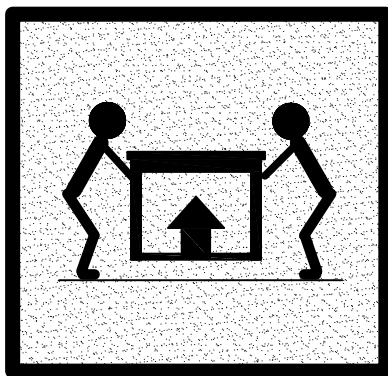
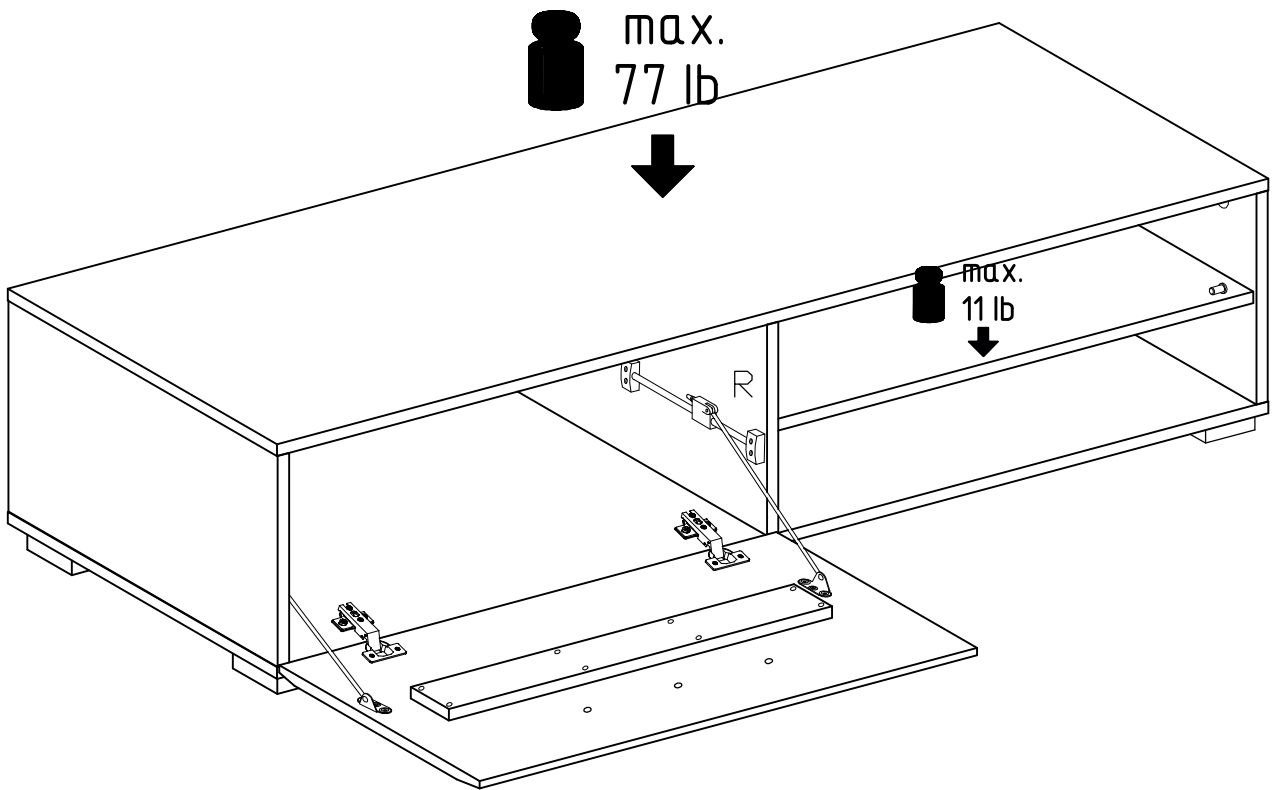
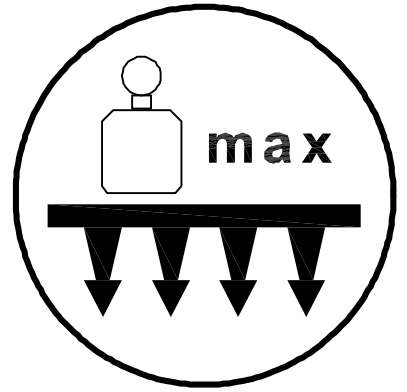


A

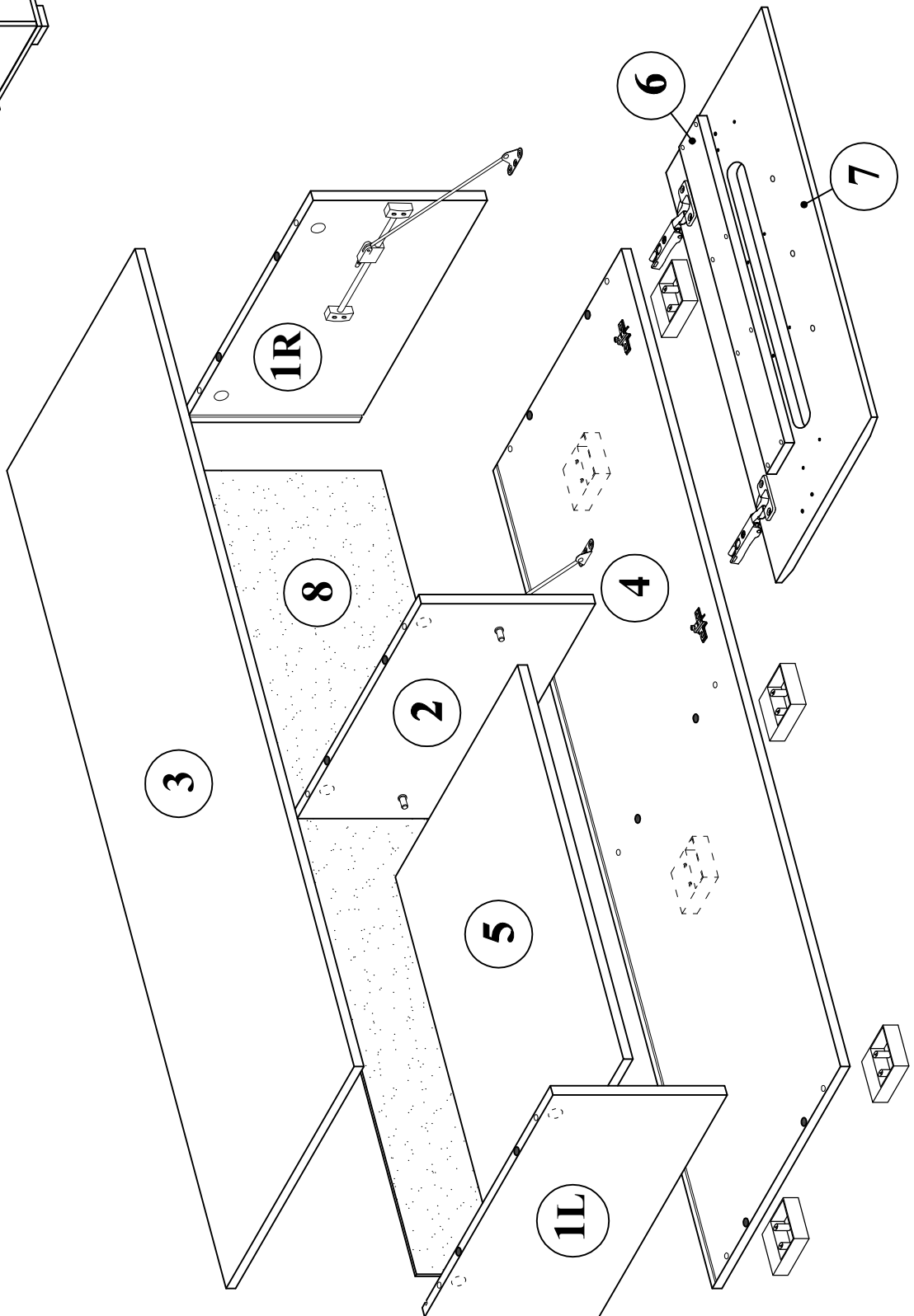
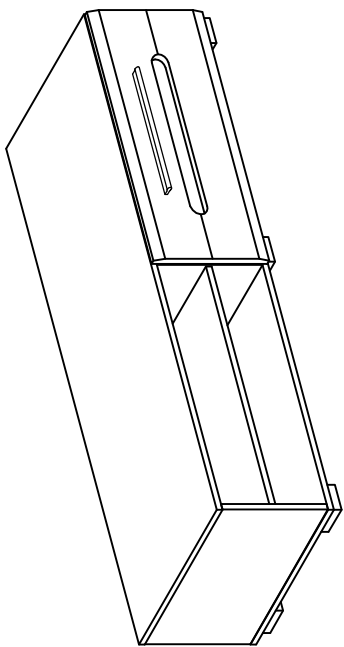
10




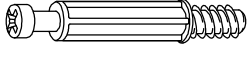

A



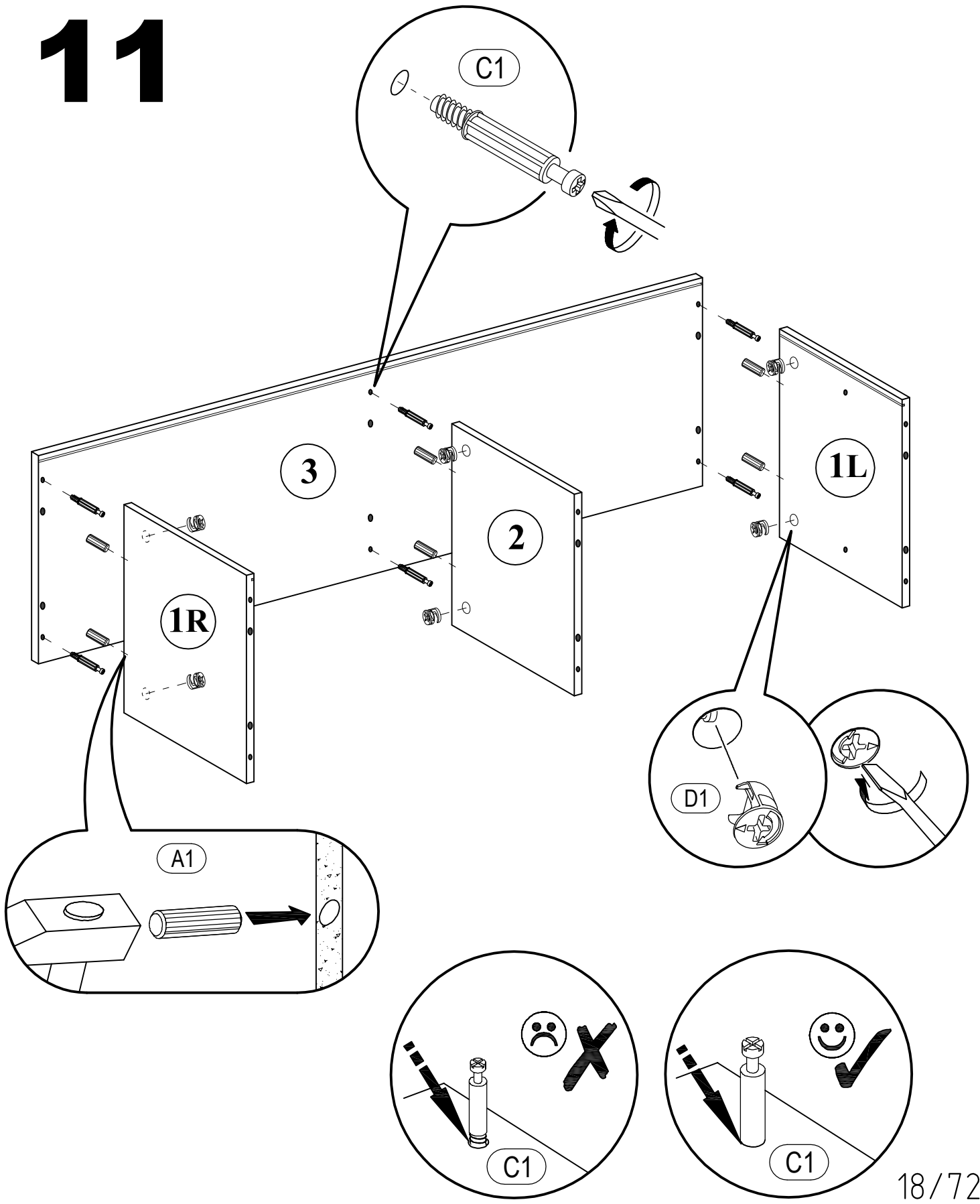
B





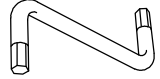
B

 <p>A1 0,31*1,18 in x6</p>	 <p>C1 0,20*1,18 in x6</p>	 <p>D1 0,63 in x6</p>
--	---	---

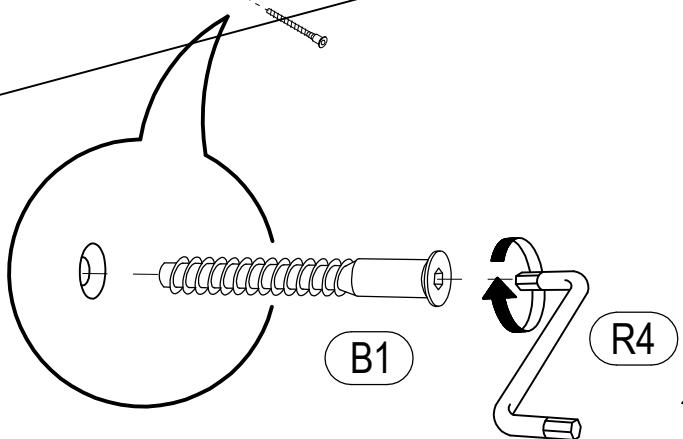
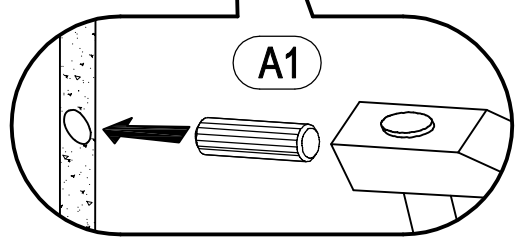
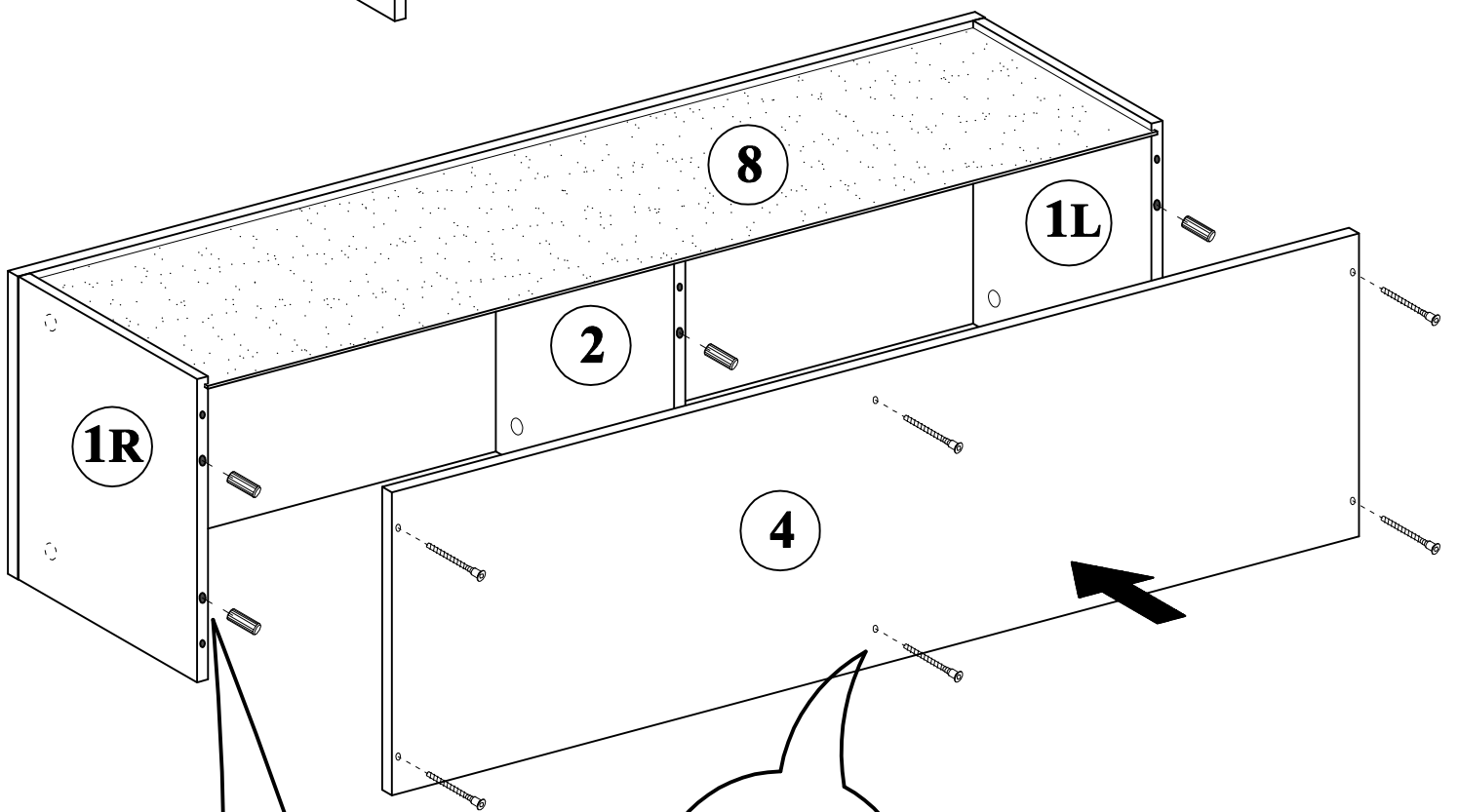
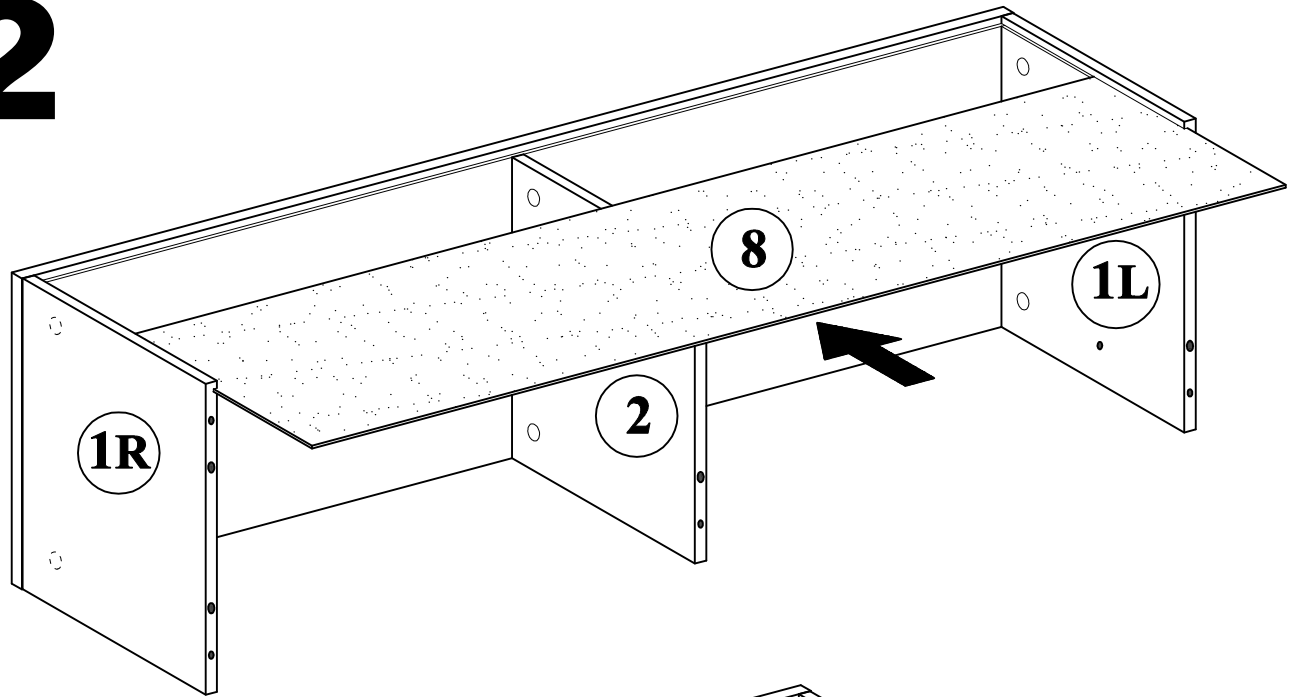
11



B

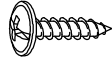

 A1 0,31*1,18 in x6	 B1 0,25*1,97 in x6	 R4 N°4 x1
--	---	---

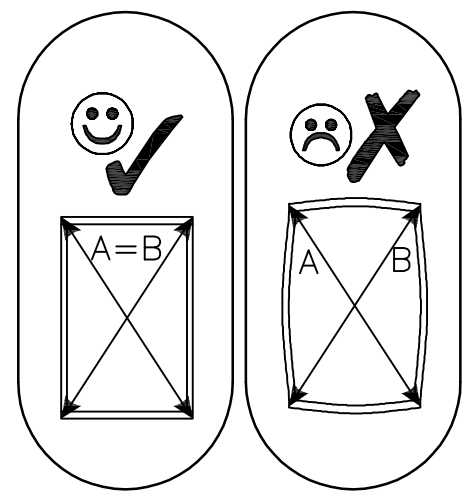
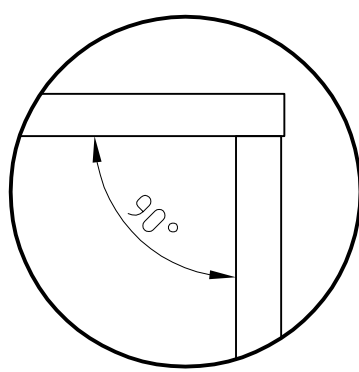
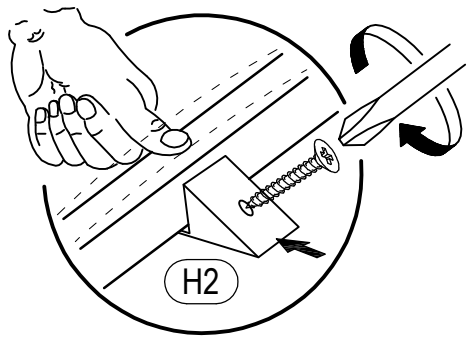
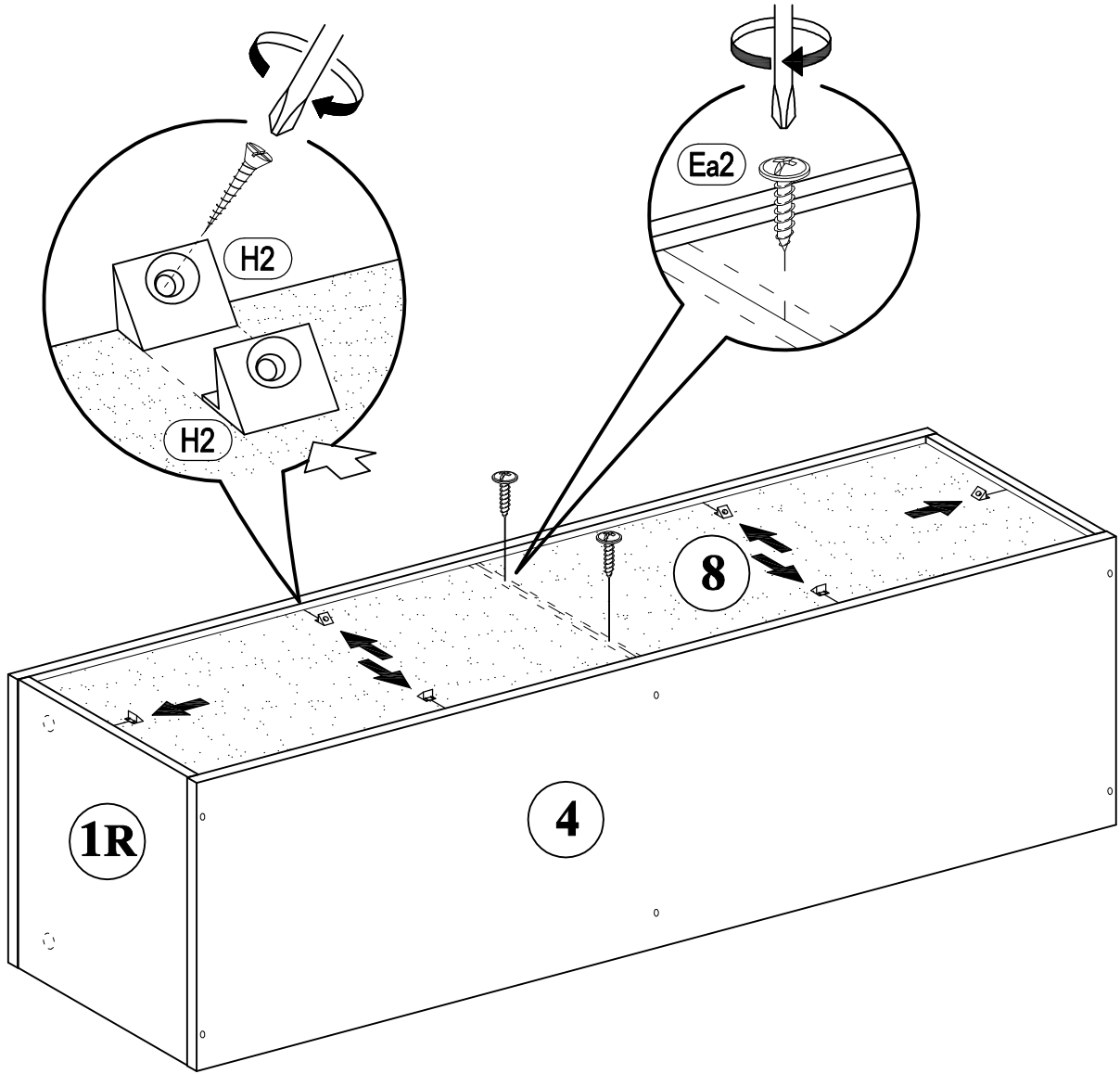
12




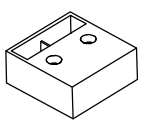
B

13

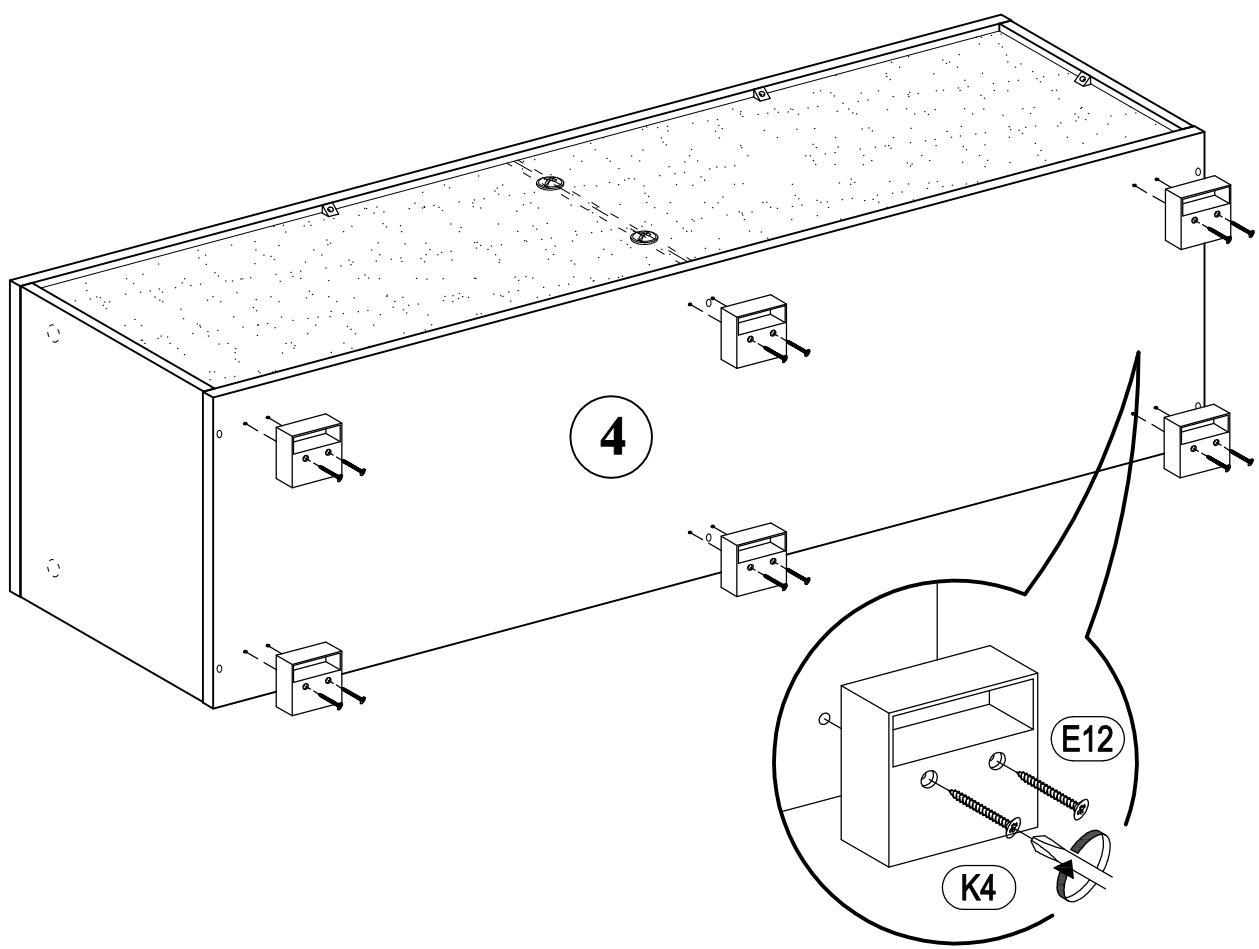
 Ea2 0,17*0,63 in x2	 H2 x6
---	---



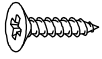

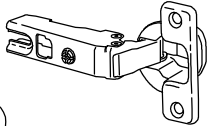
B

 <p>E12 0,16*1,38 in x12</p>	 <p>K4 x6</p>
--	---

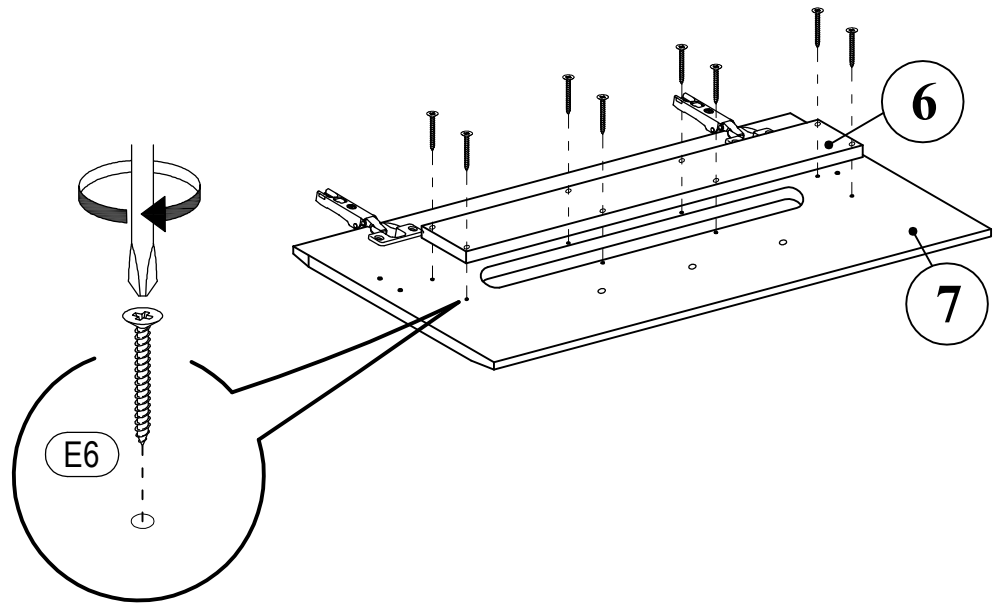
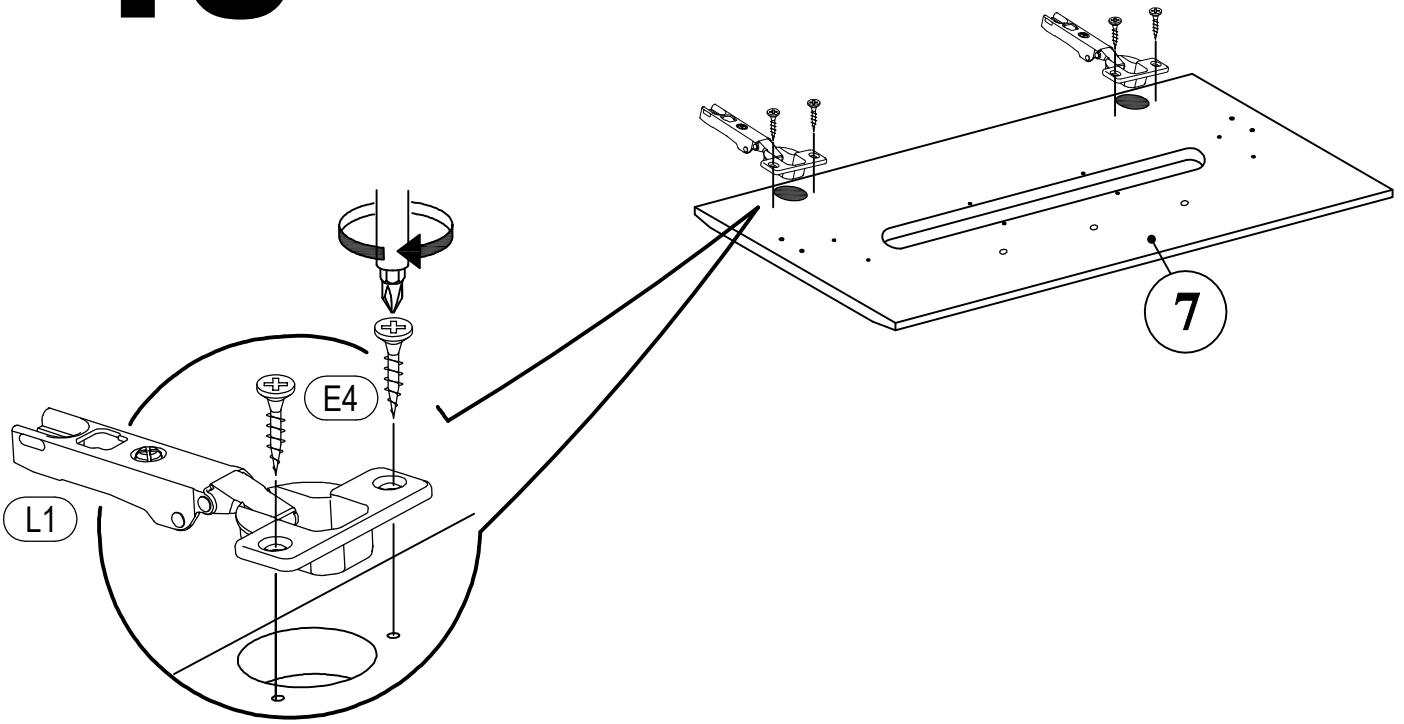
14





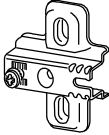

B

 E4 0,14*0,63 in x4	 E6 0,14*0,98 in x8	 L1 x2
--	--	---

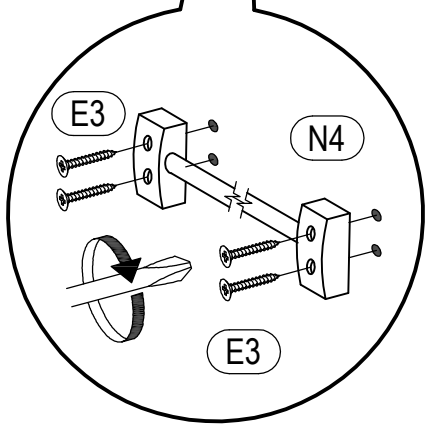
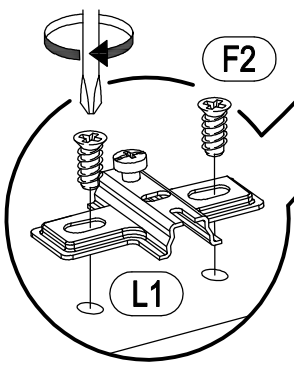
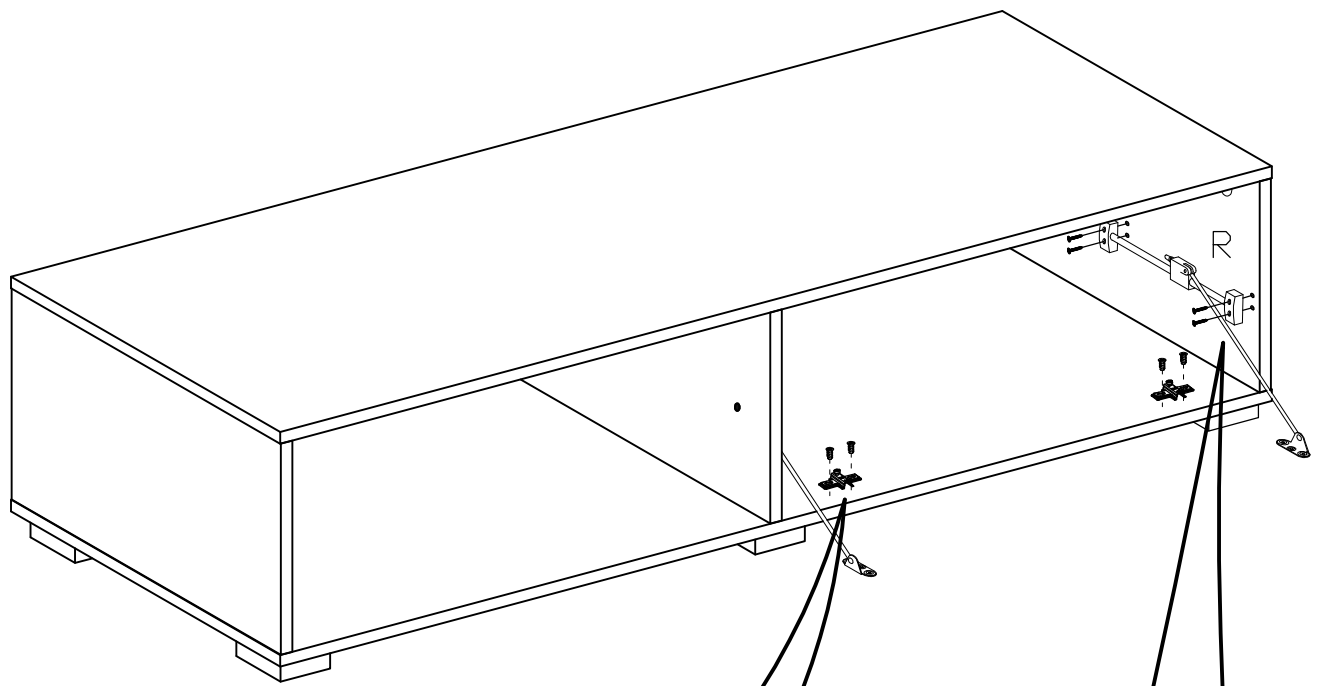
15



B

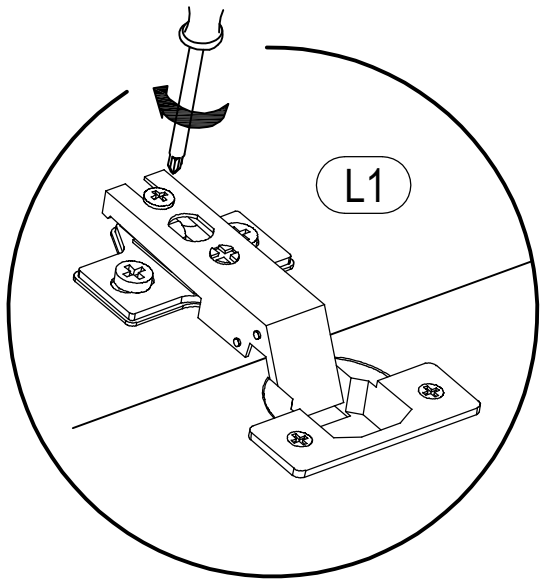
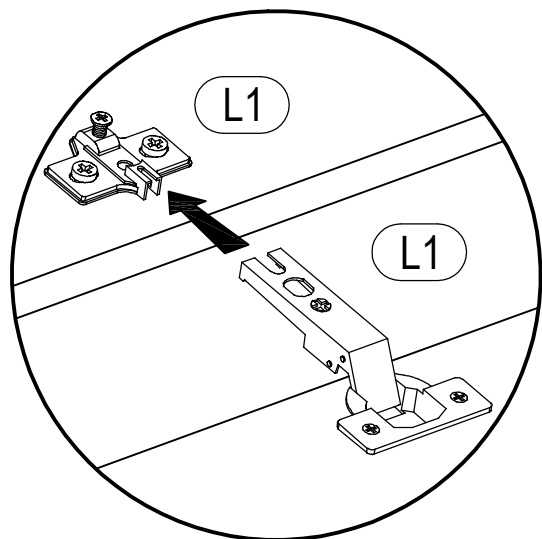
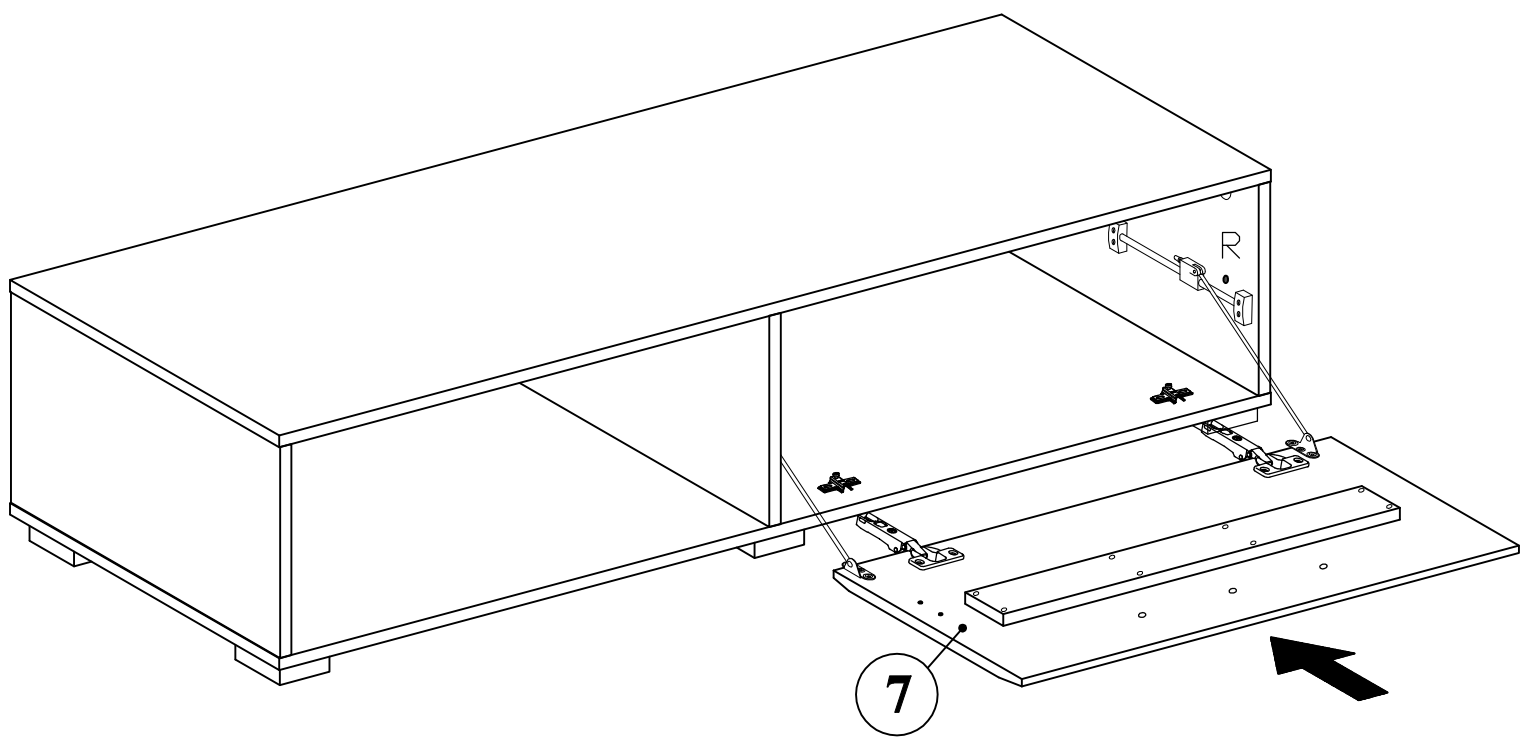
 E3 0,12*0,79 in x8	 F2 0,25*0,51 in x4	 L1 x2
		 N4 1R+1L x2

16



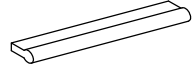


B

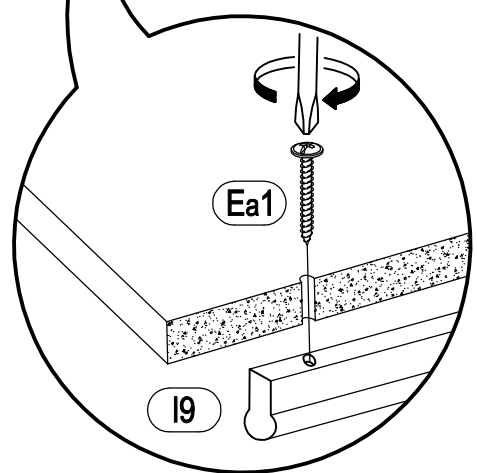
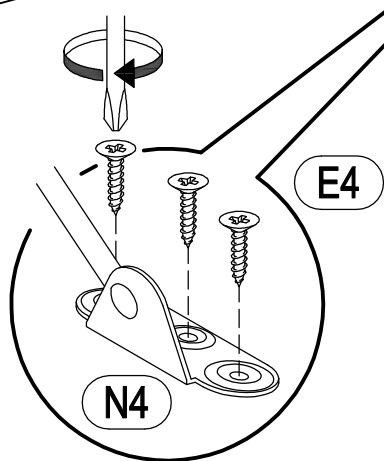
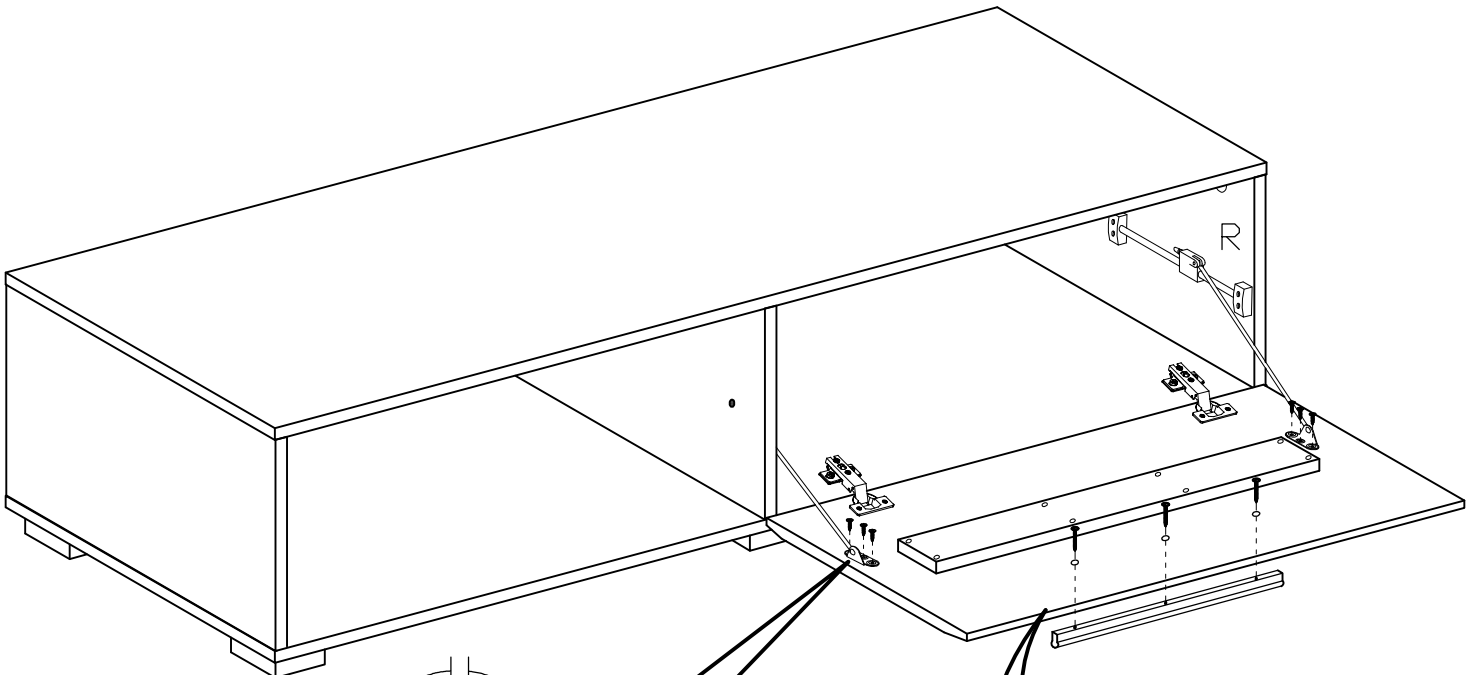
17



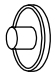
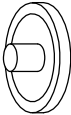


B

 E4 0,14*0,63 in x6	 Ea1 0,14*1,06 in x3	 I9 x1
--	---	---

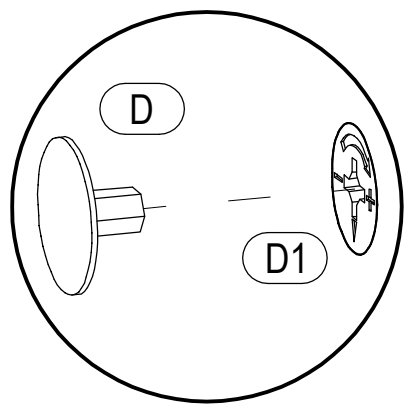
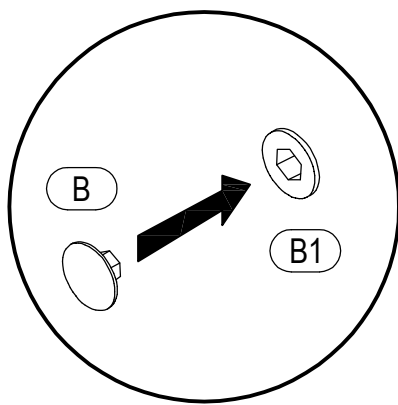
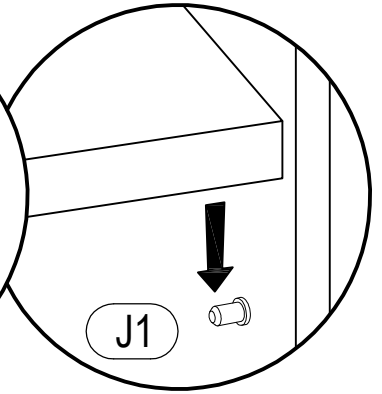
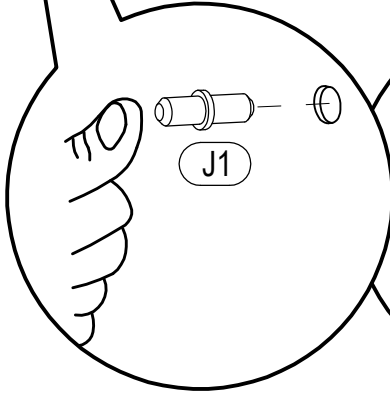
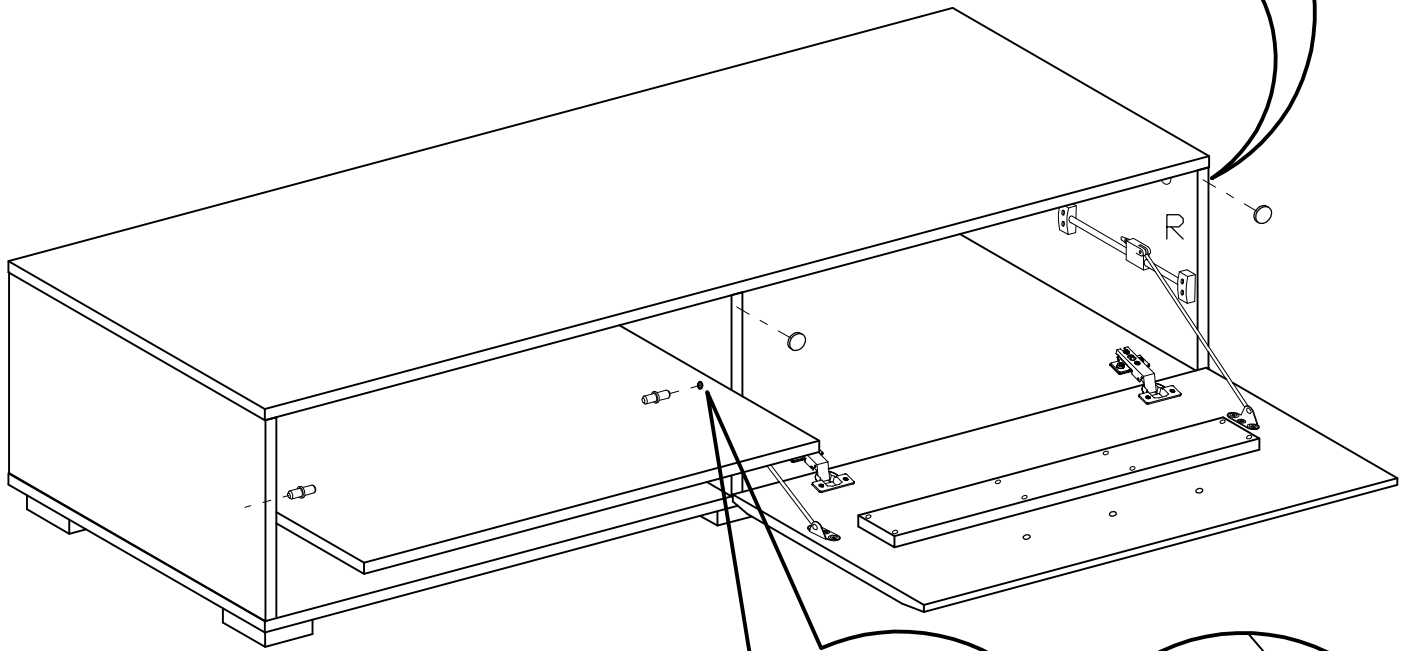
18



B

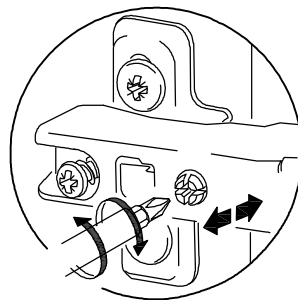
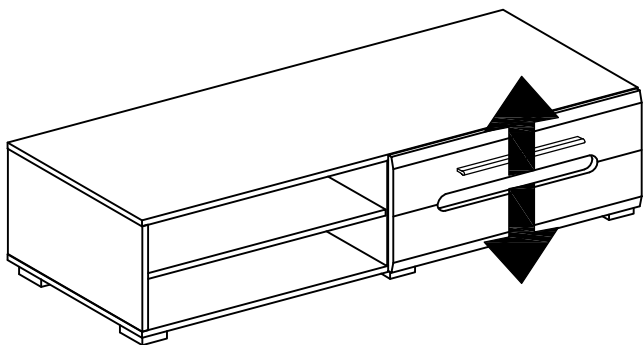
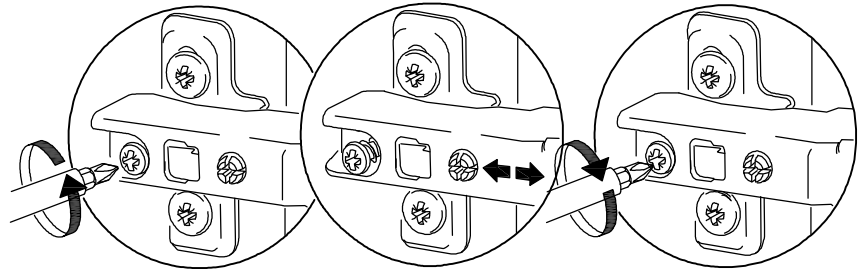
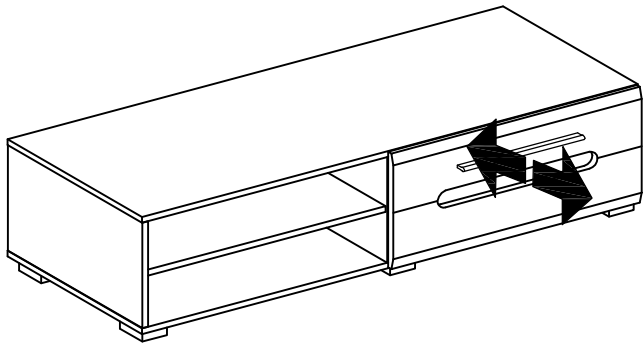
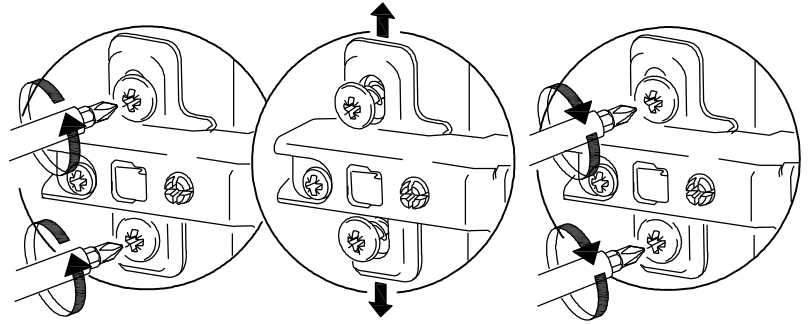
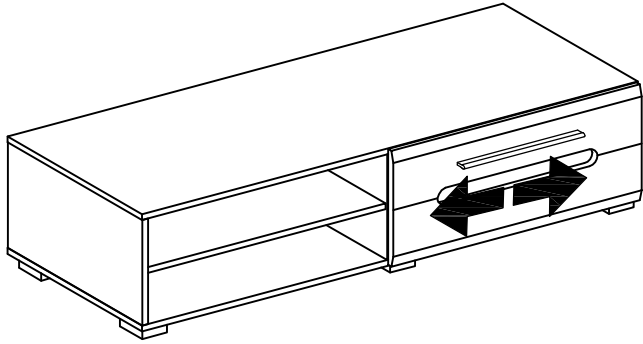
 B x6	 D x6	 J1 0,20*0,63 in x4
	 U3 x2	

19

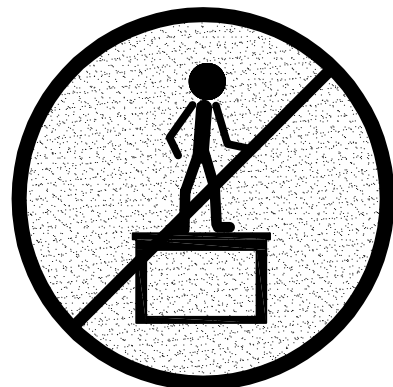
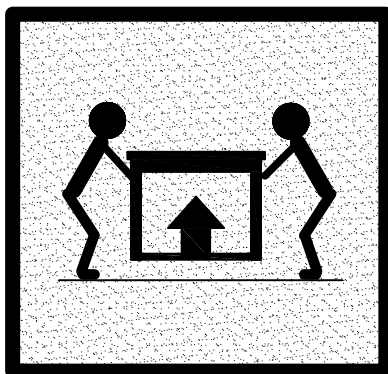
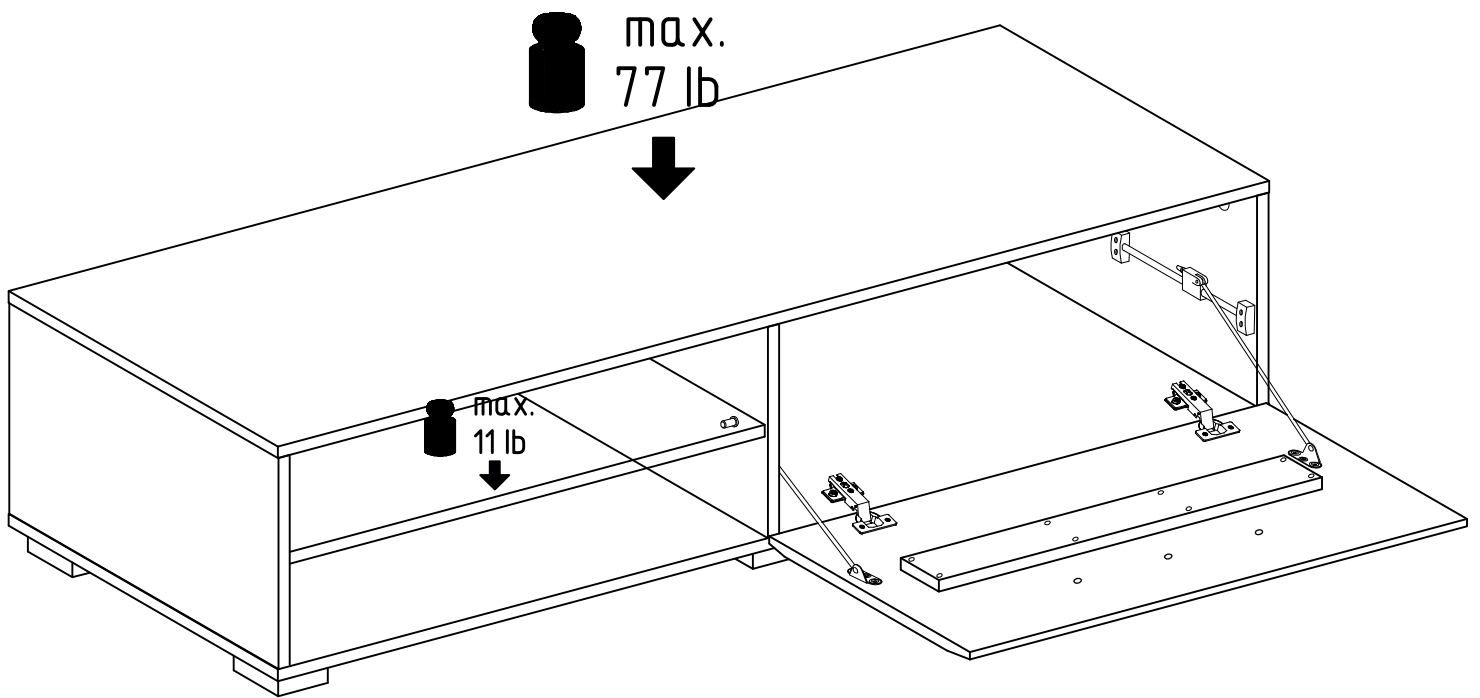


20

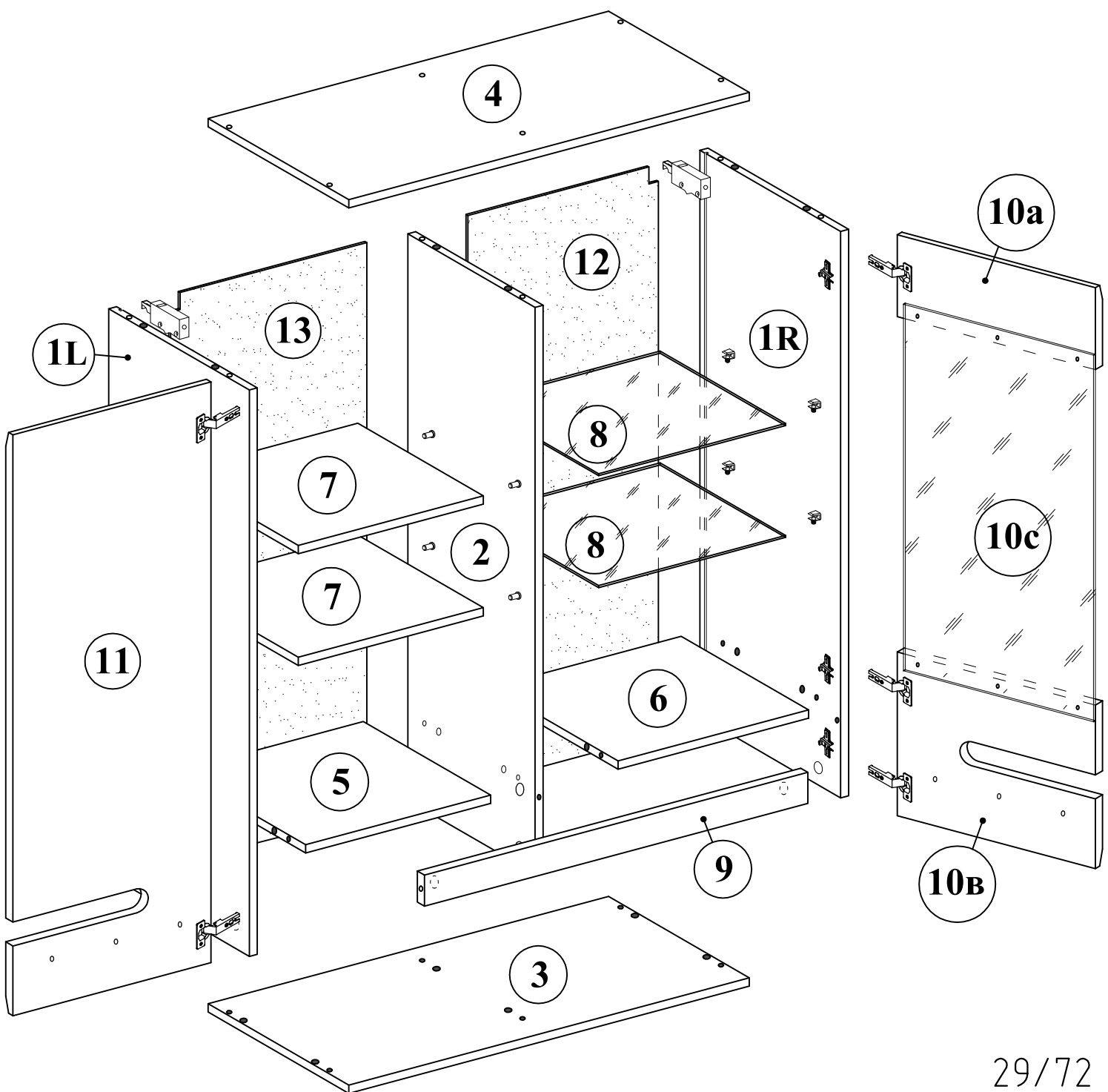
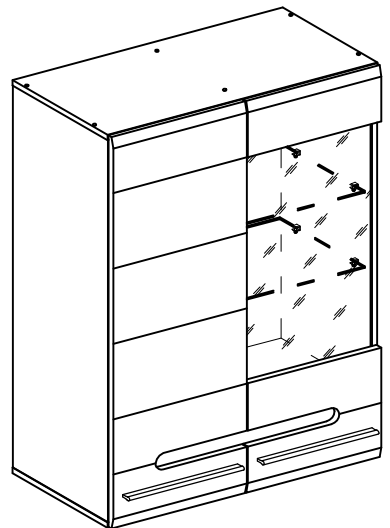
B



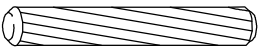
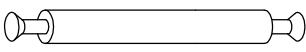

B



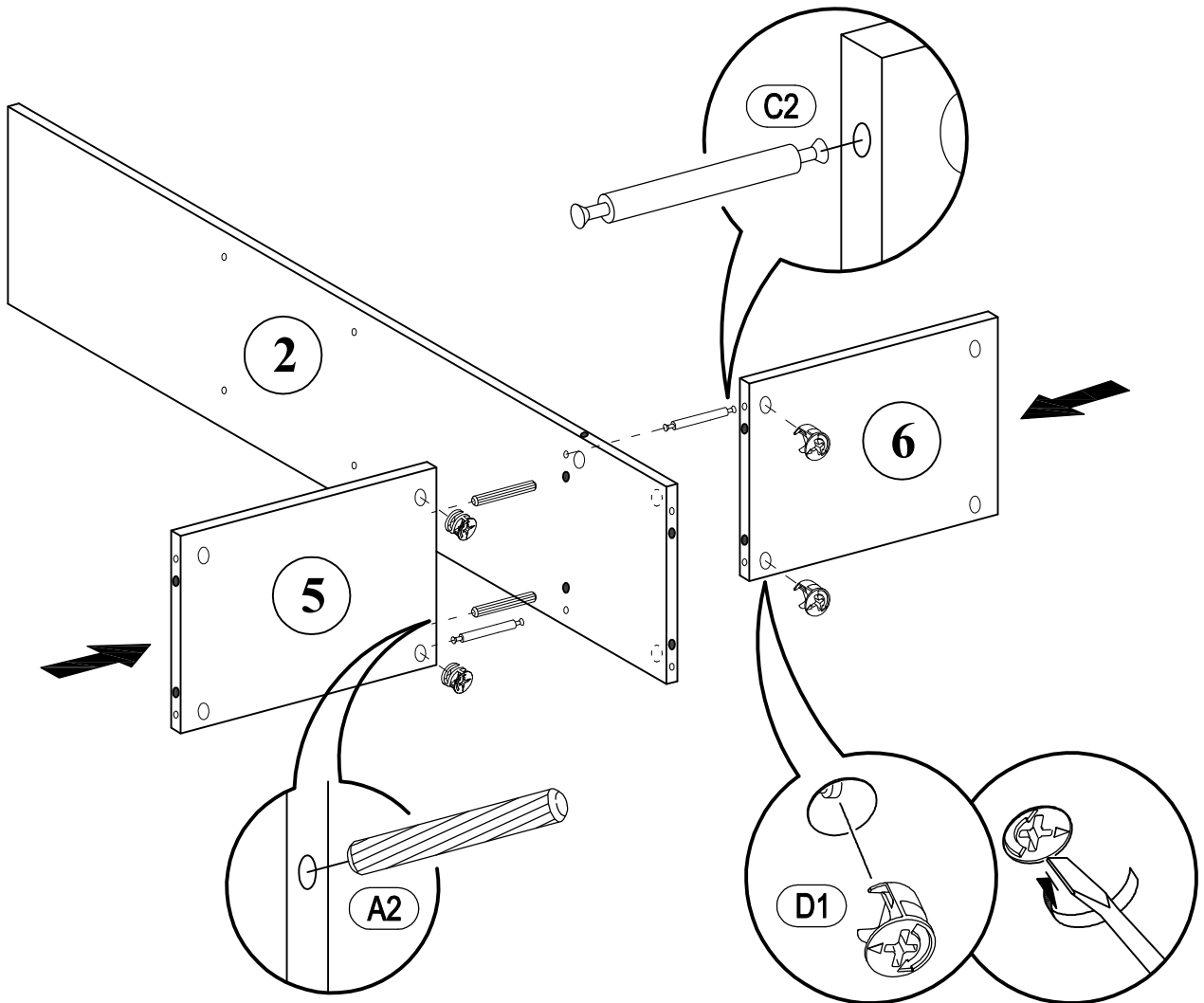
C



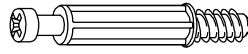
C

 A1 0,31*1,97 in x2	 C2 0,31*2,20 in x2	 D1 0,63 in x4
---	--	--

21



C

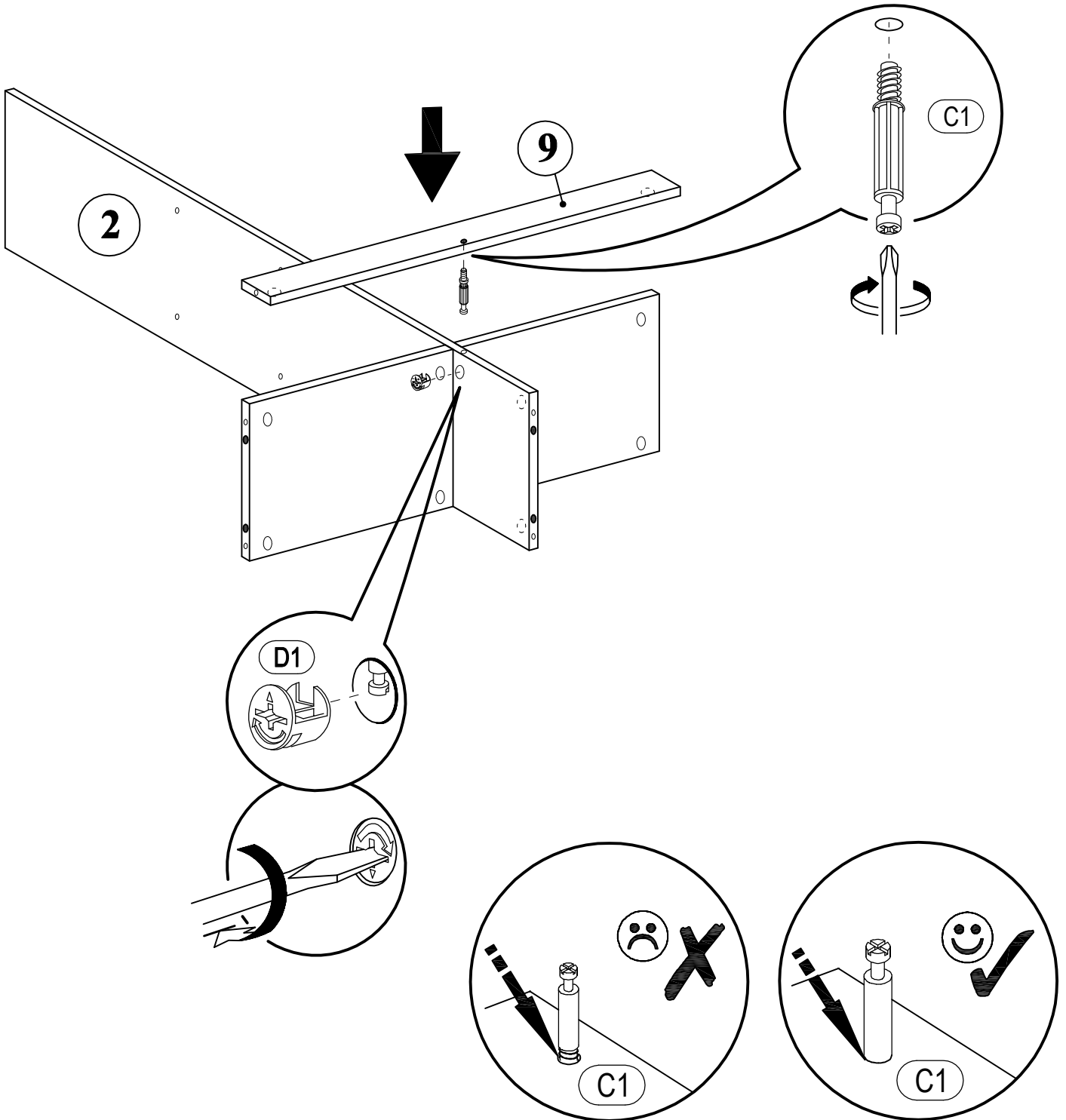


C1 0,20*1,18 in x1


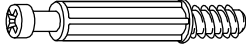



D1 0,63 in x1

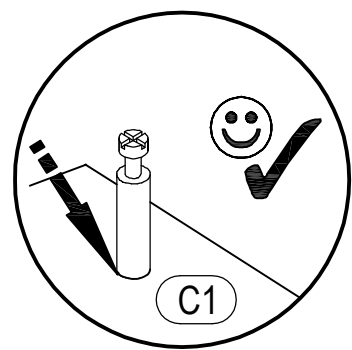
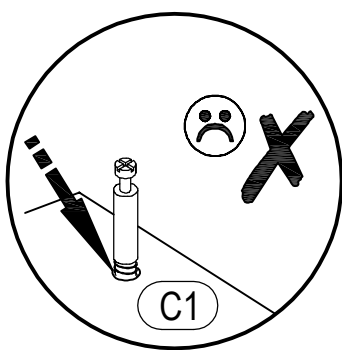
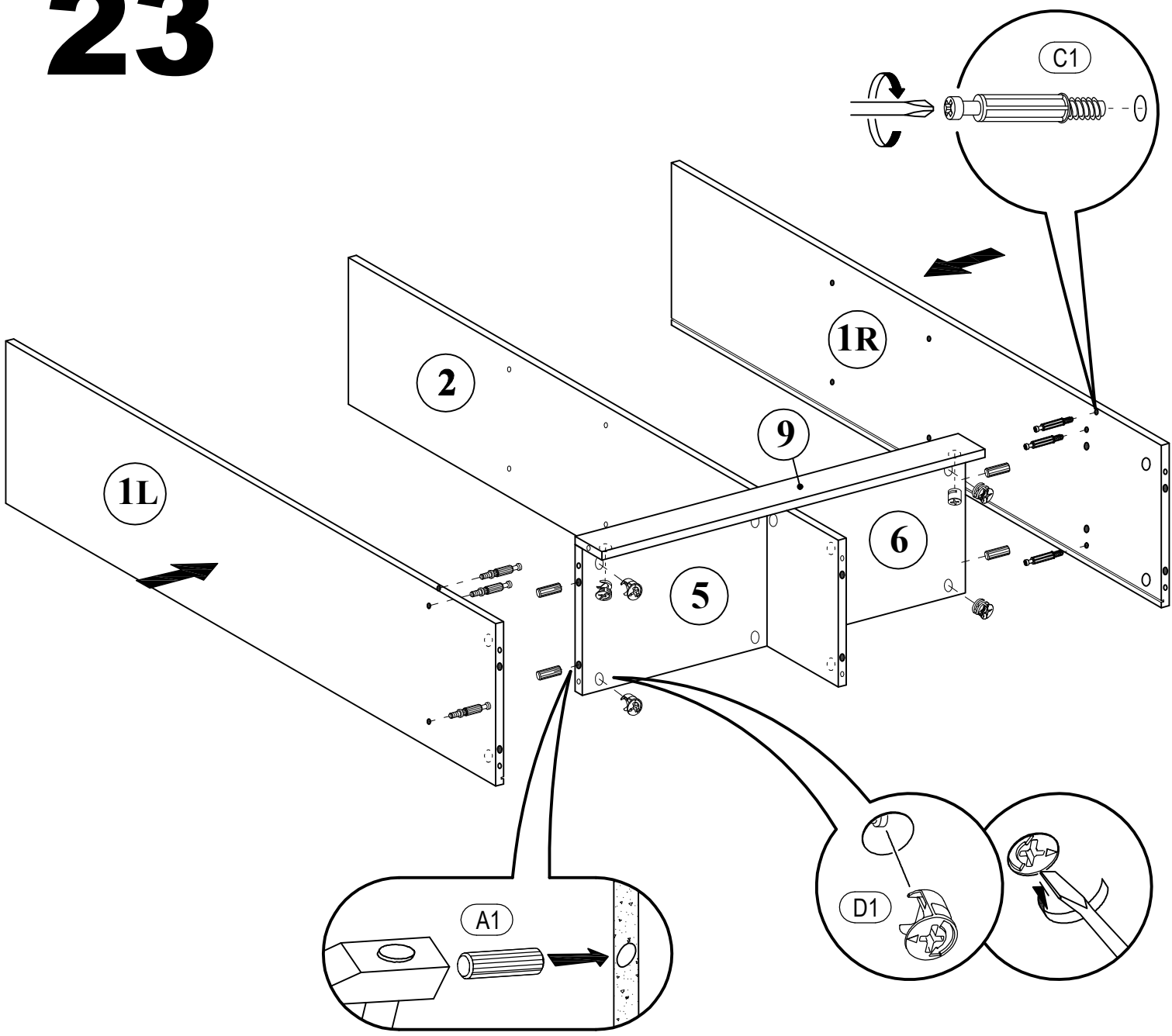
22




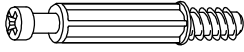

C

 A1 0,31*1,18 in x4	 C1 0,20*1,18 in x6	 D1 0,63 in x6
---	--	--

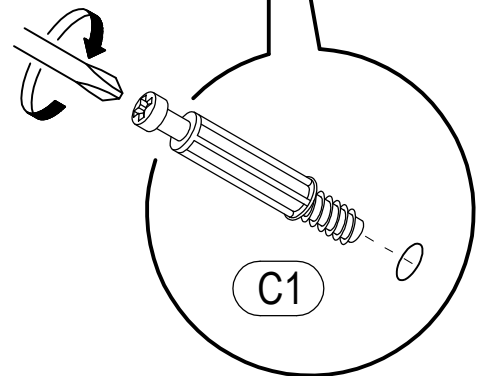
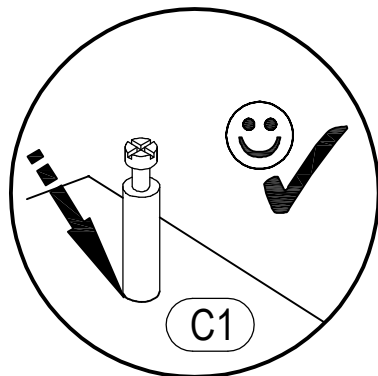
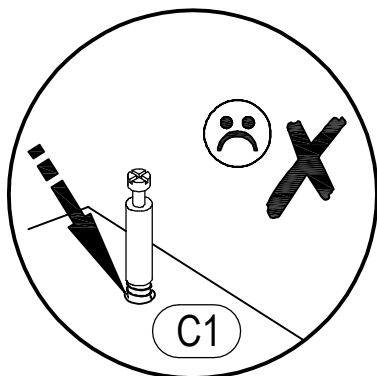
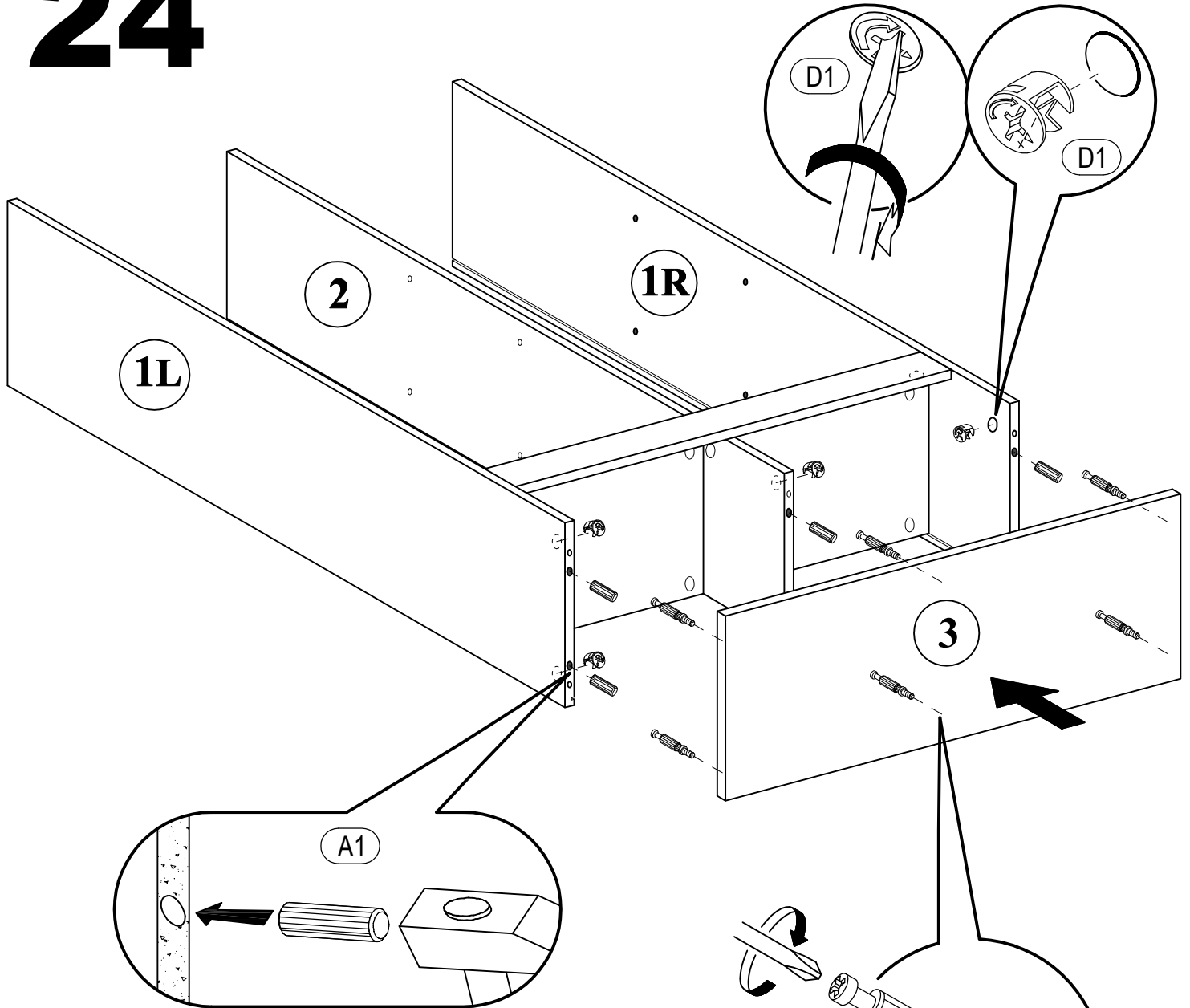
23




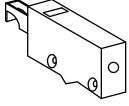
C

 A1 0,31*1,18 in x6	 C1 0,20*1,18 in x6	 D1 0,63 in x6
---	--	--

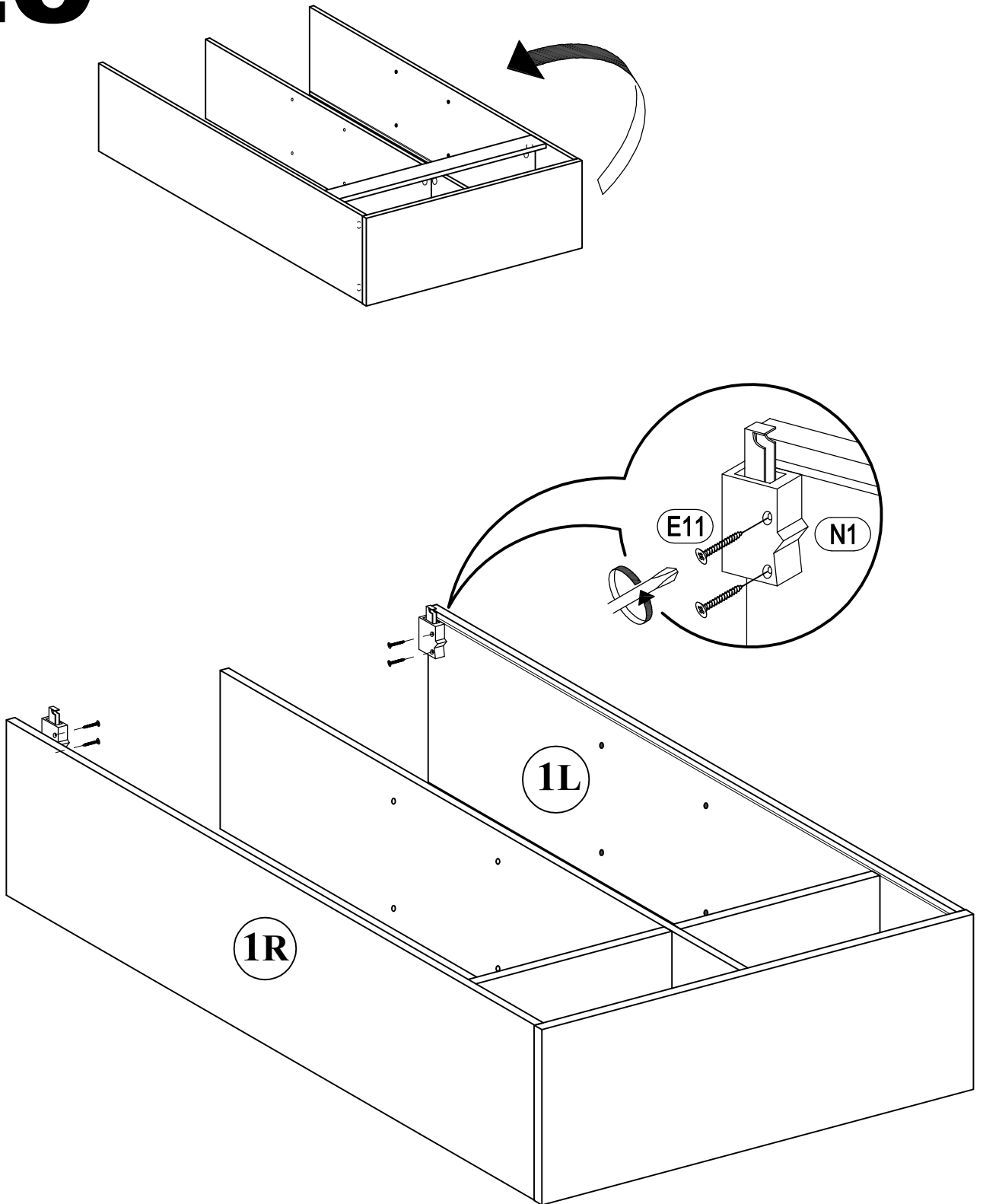
24



C

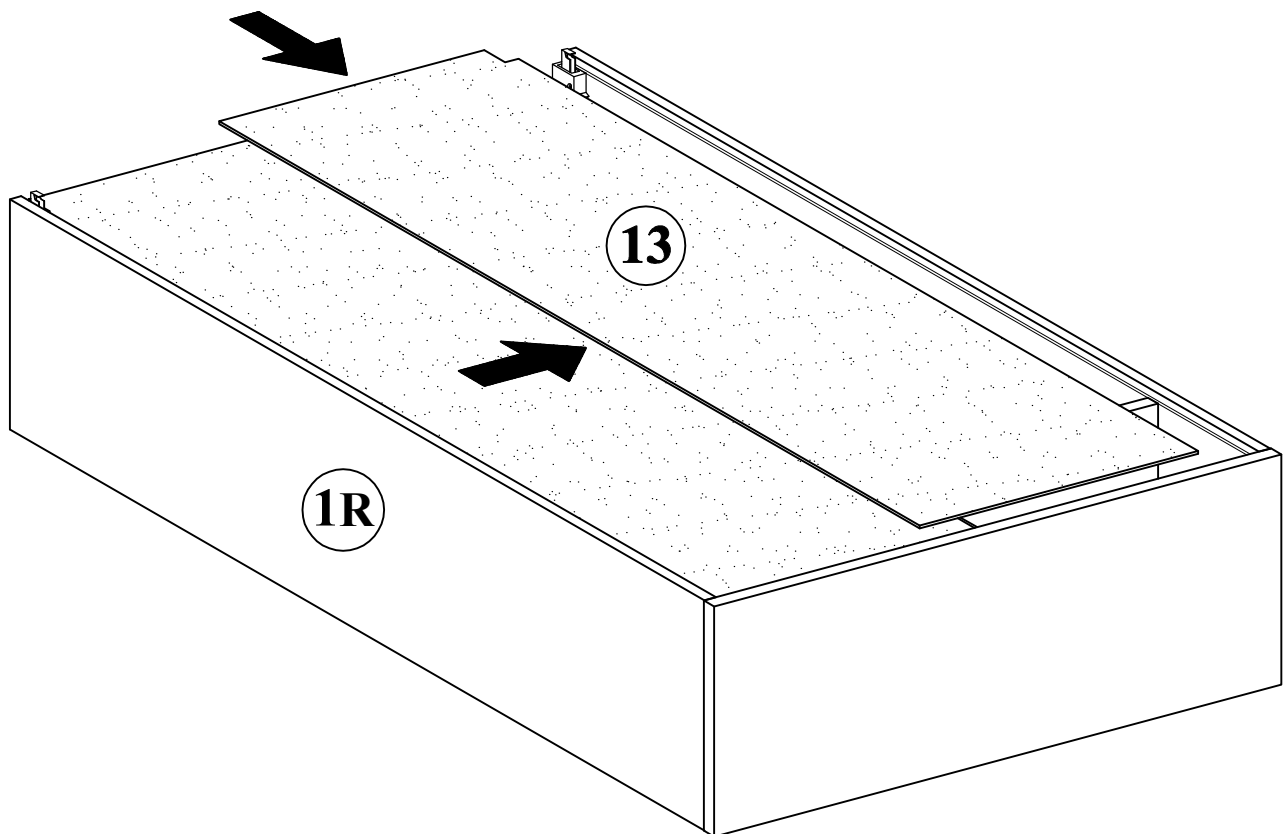
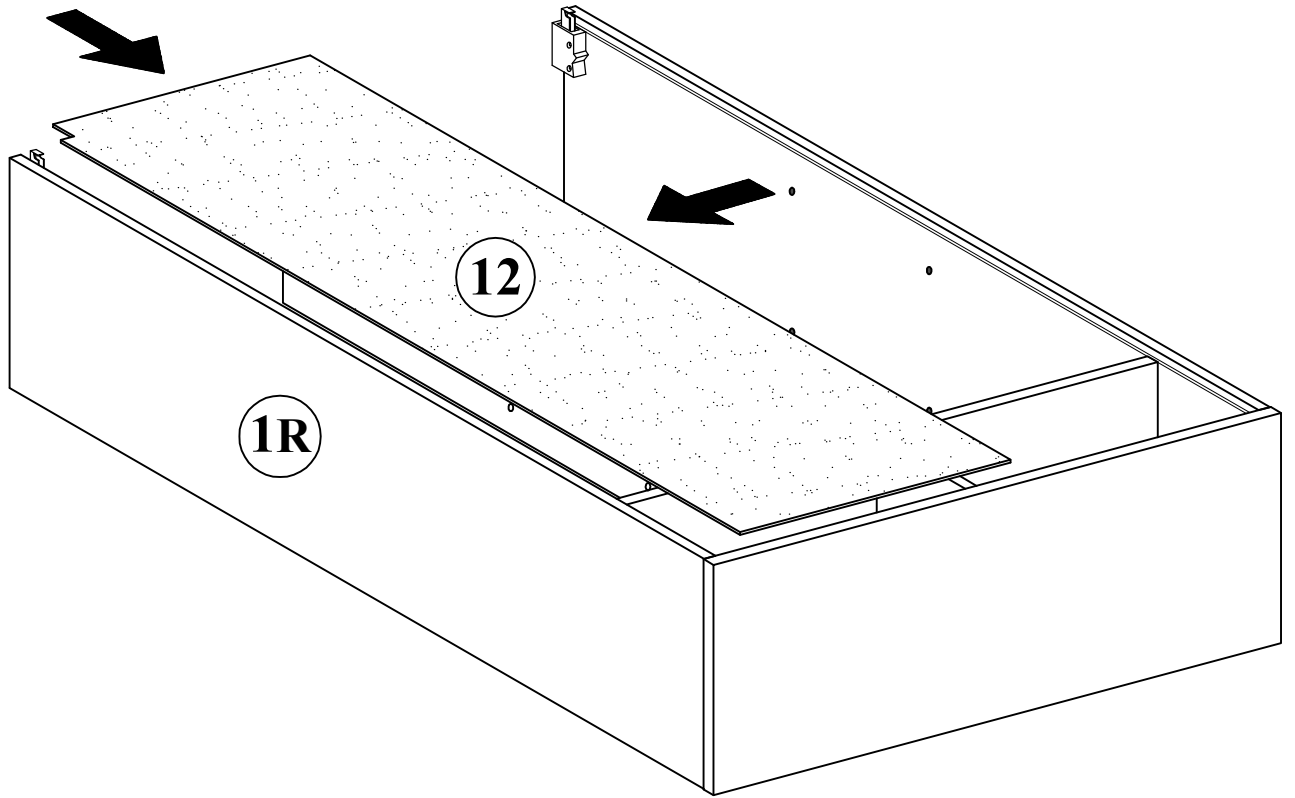
	
E11 0,16*1,18 in x4	N1 x2

25



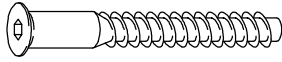
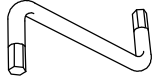
(C)

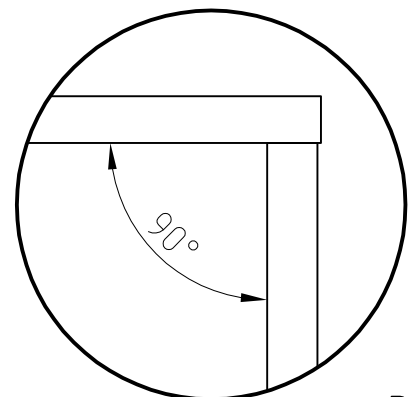
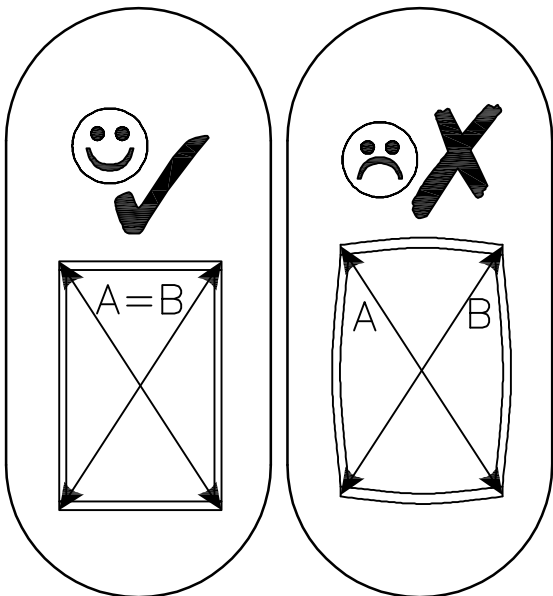
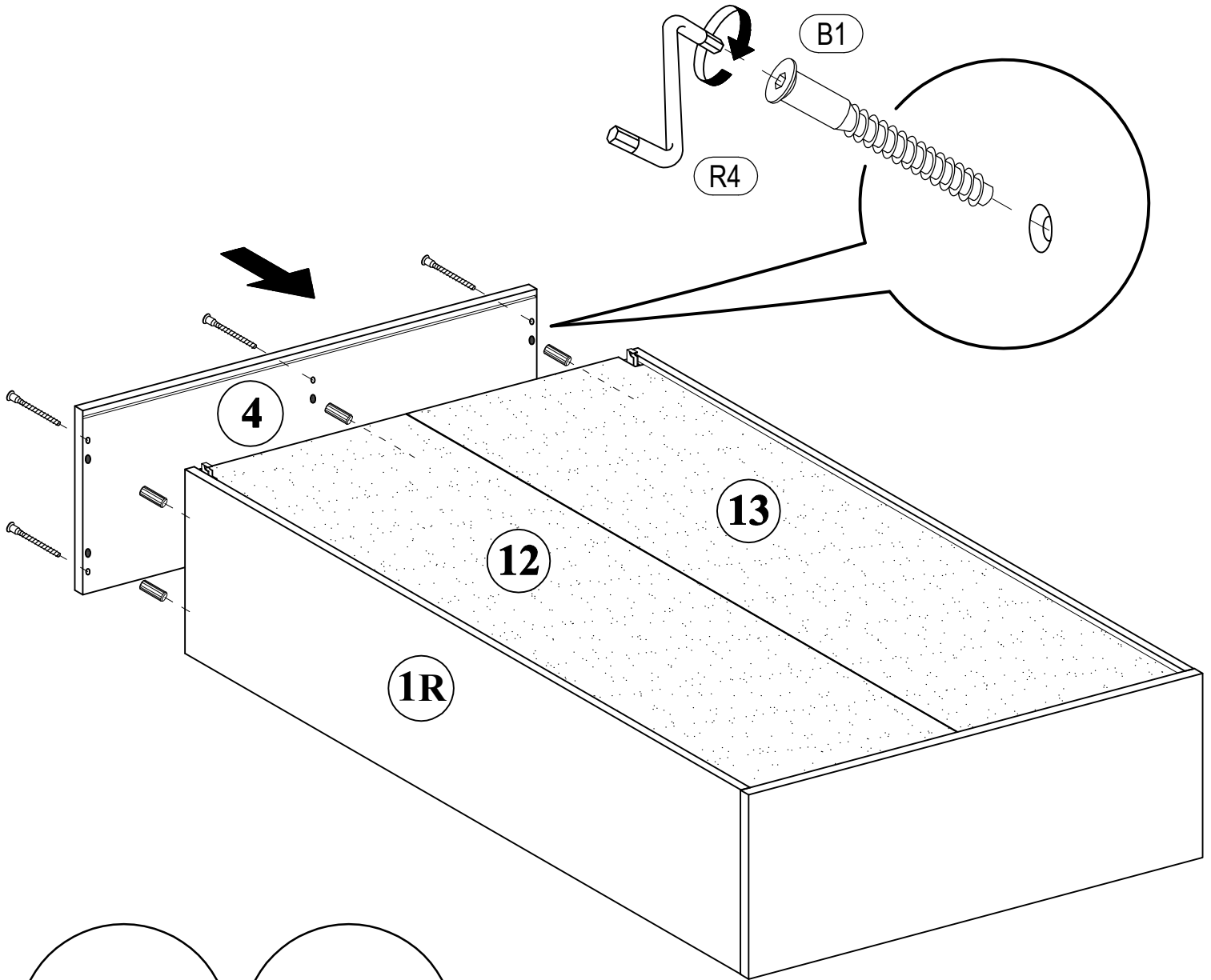
26






C

27

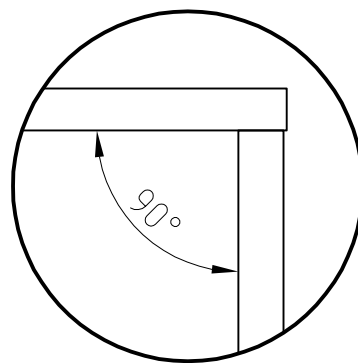
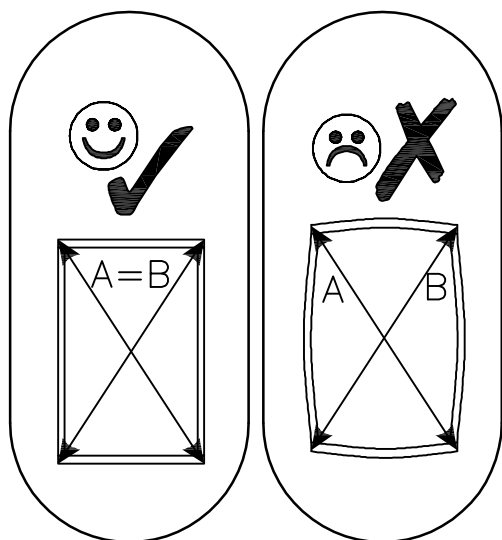
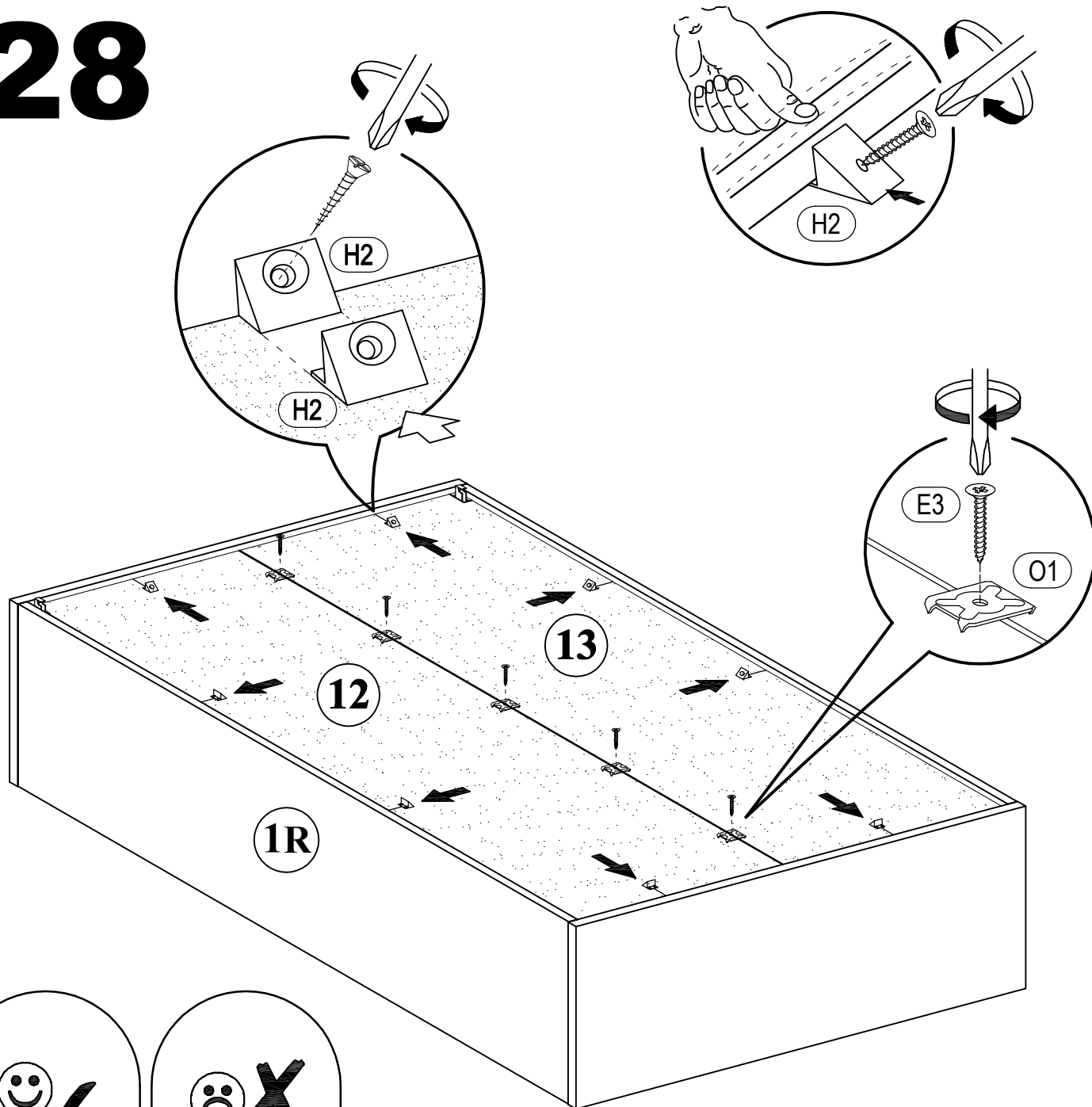
 B1 0,25*1,97 in x6	 R4 N°4 x1
---	--





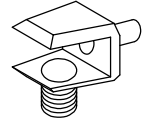
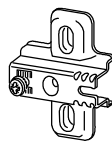
C

 (E3) 0,12*0,79 in x5	 (H2) x8	 (O1) x5
---	--	--

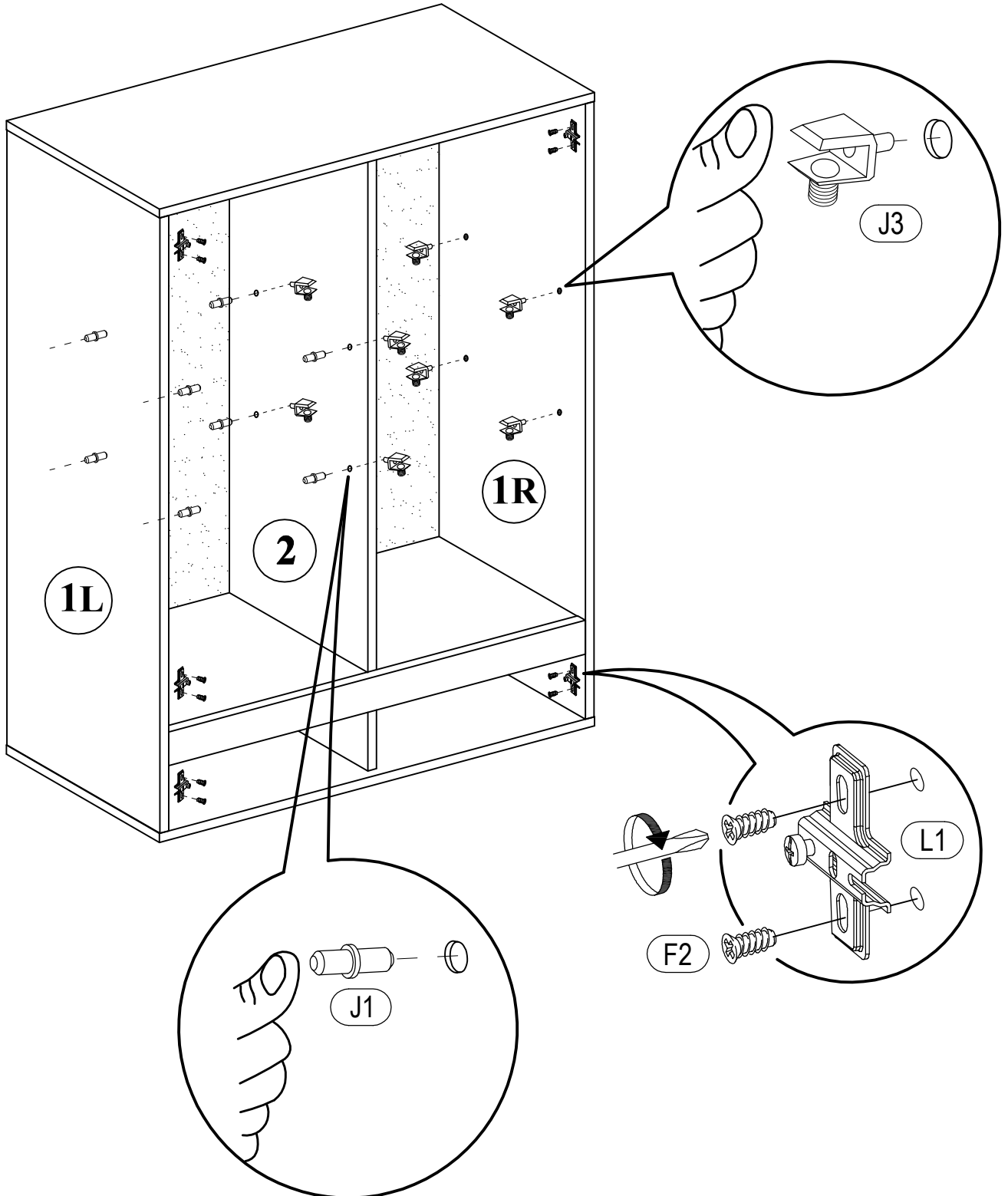
28



C

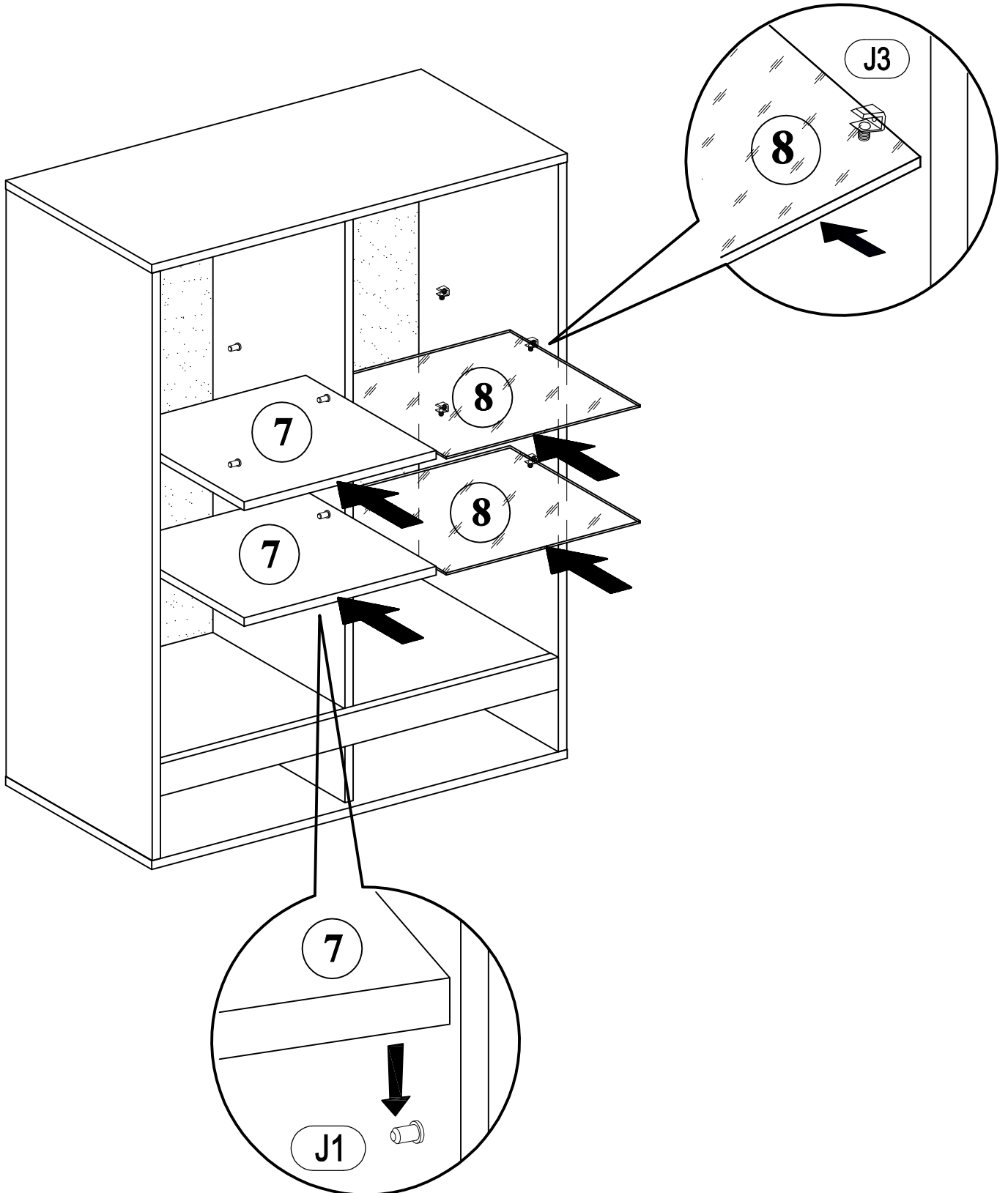
 F2 0,25*0,51 in x10	 J1 0,20*0,63 in x8	 J3 x8
		 L1 x5

29

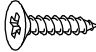
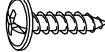
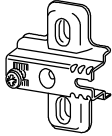



C

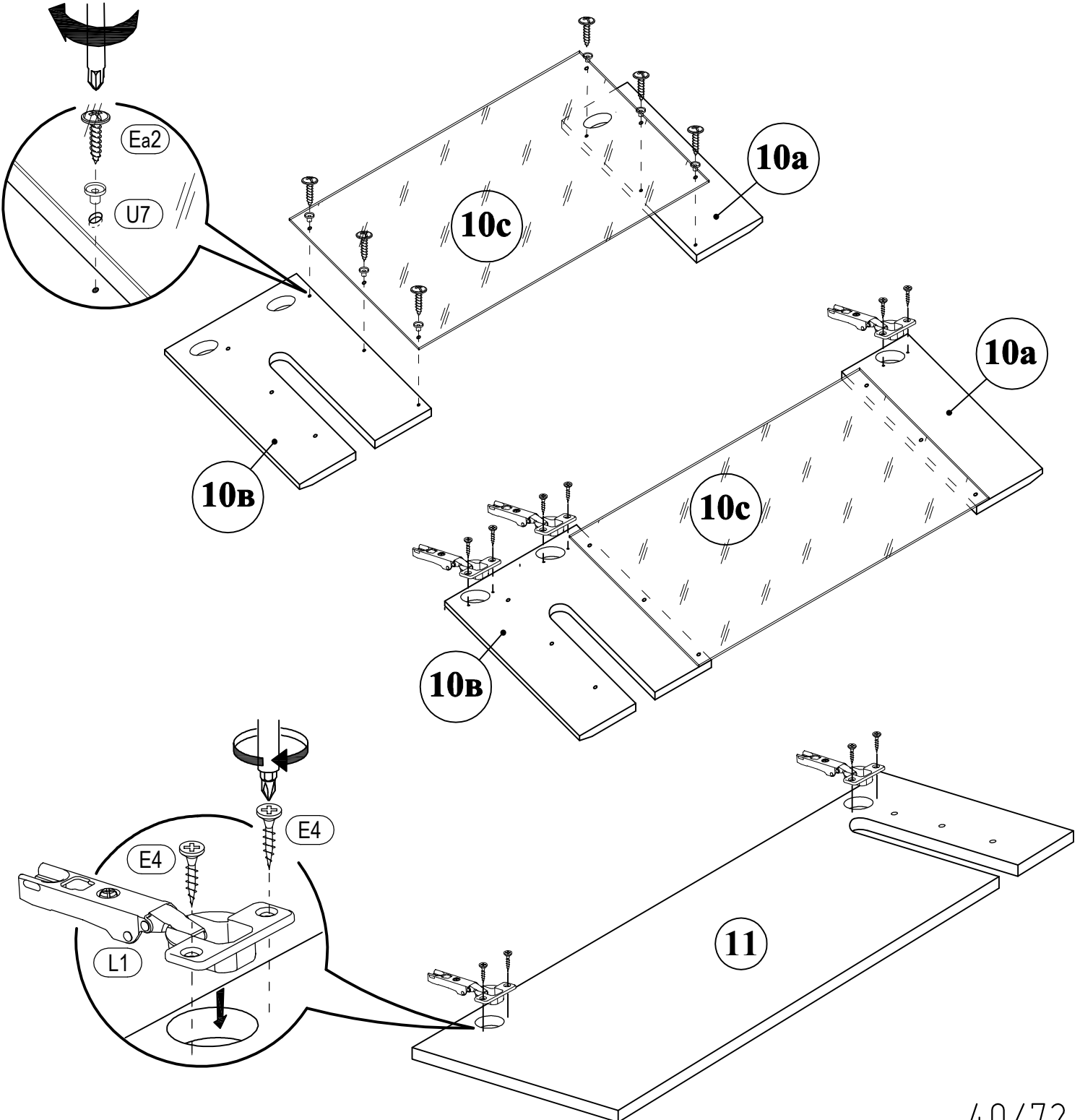
30



C

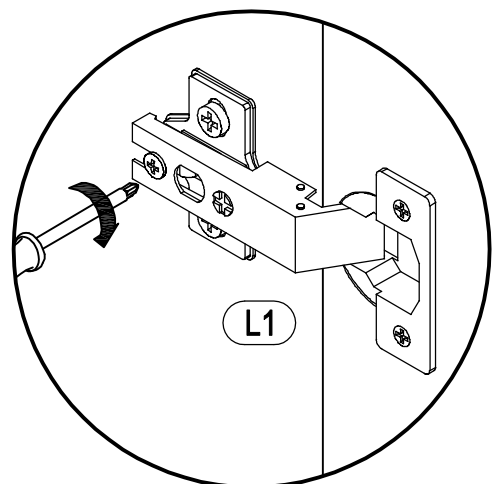
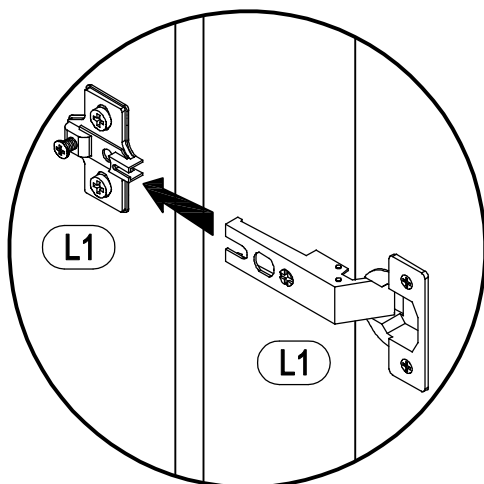
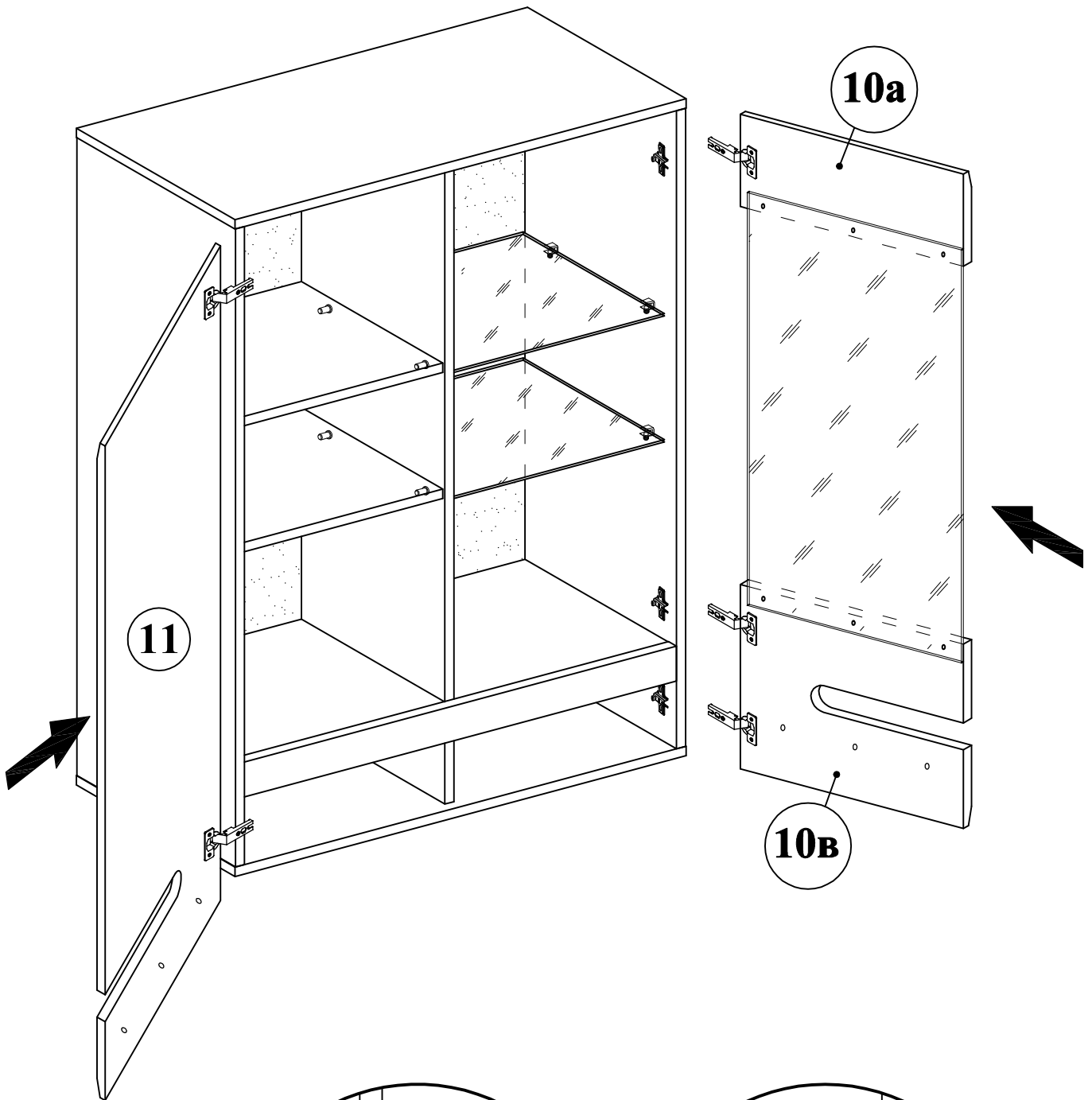
 E4 0,14*0,63 in x10	 Ea2 0,17*0,63 in x6	 L1 x5
		 U7 x6

31




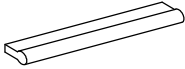
C

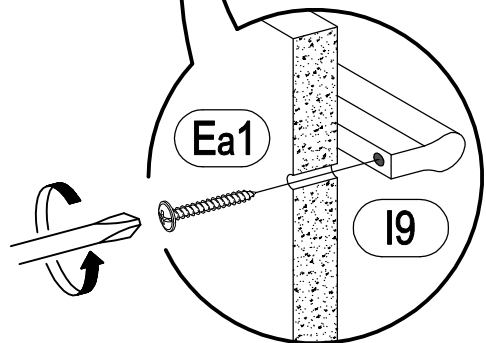
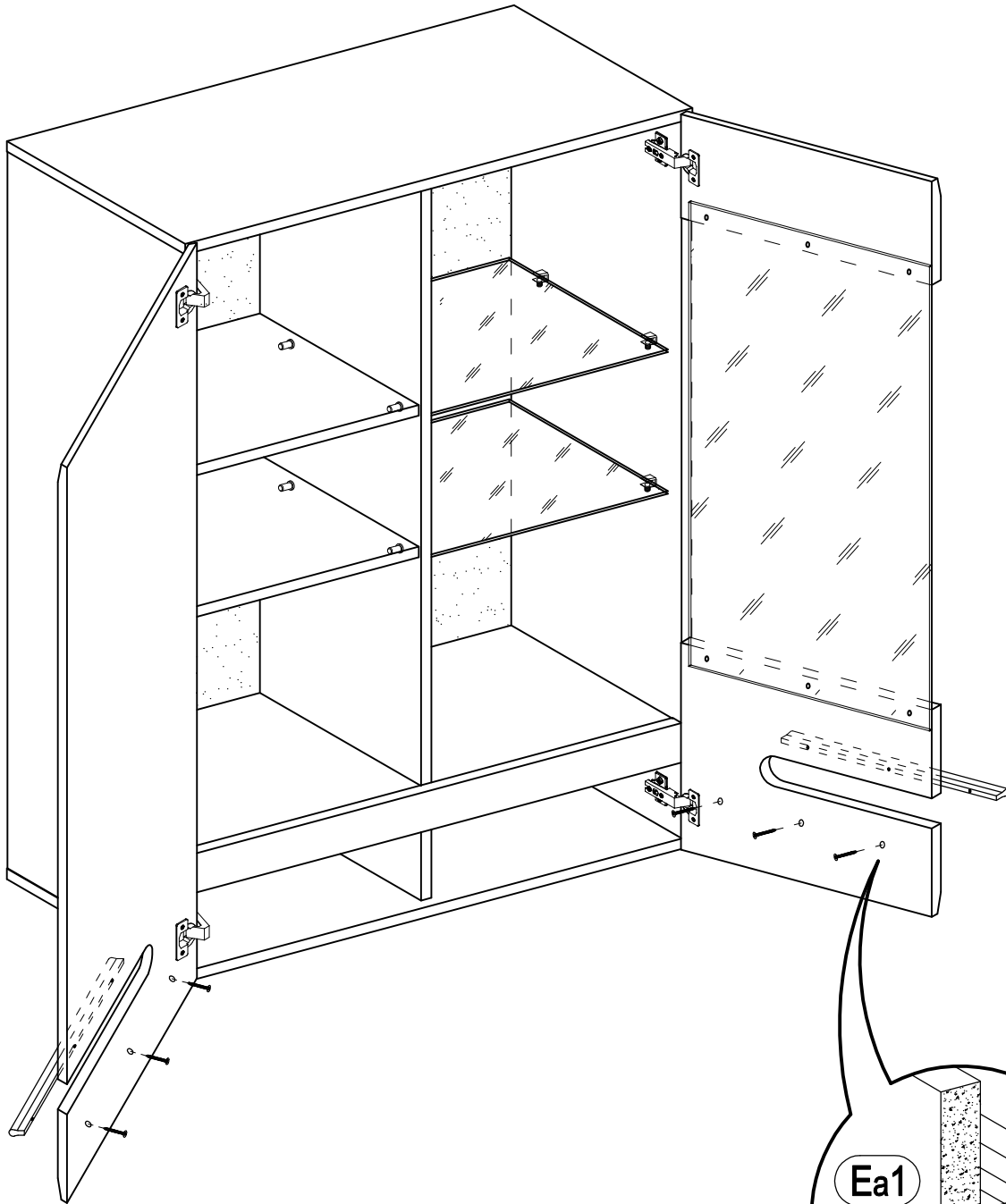
32




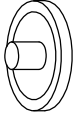

C

33

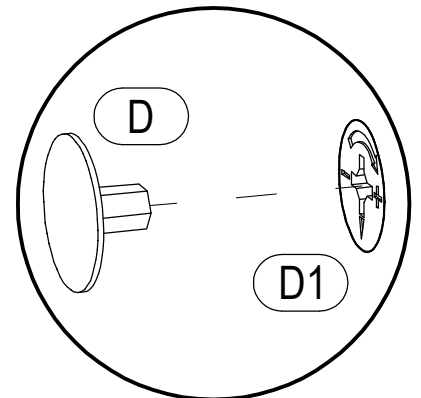
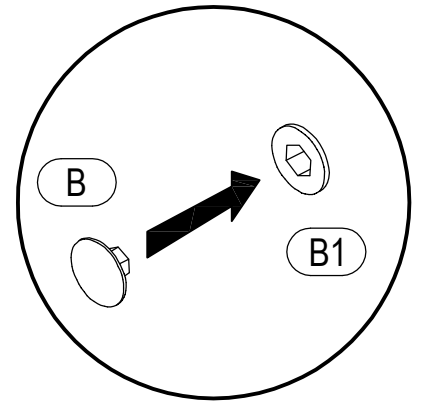
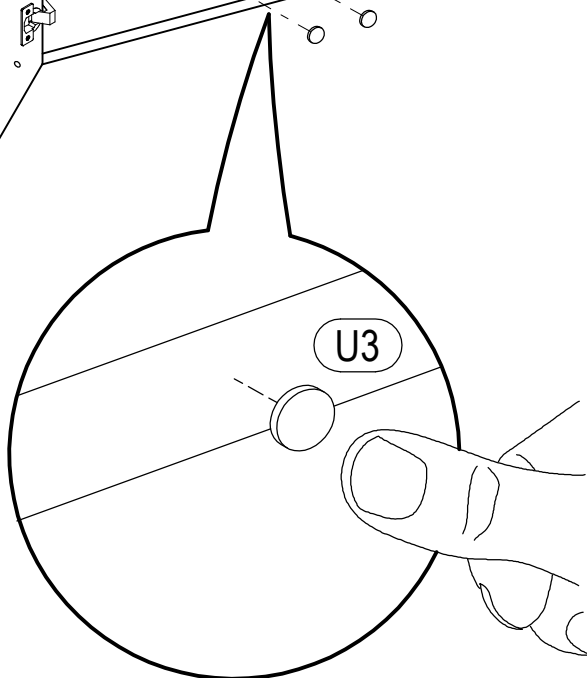
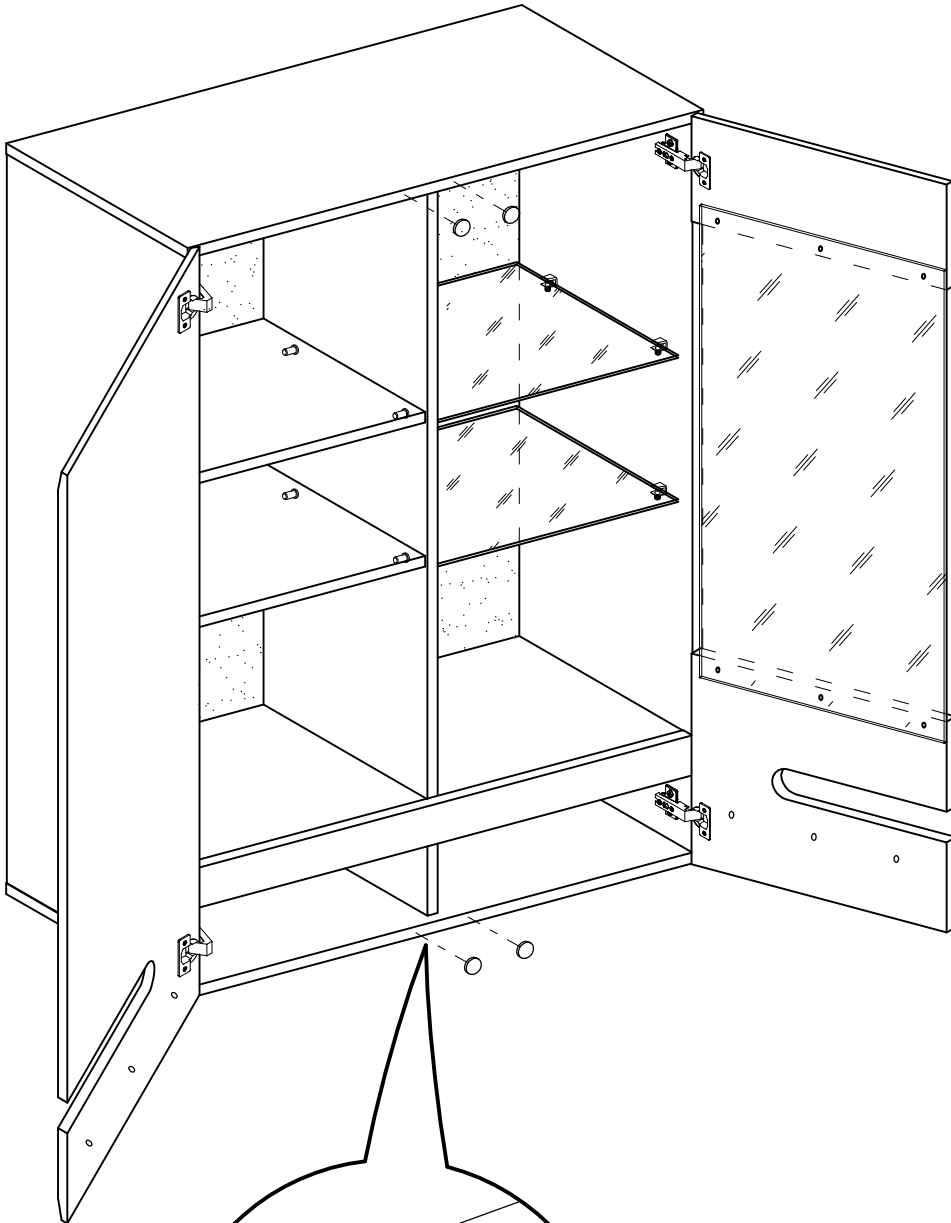
 Ea1 0,14*1,06 in x6	 I9 x2
--	--



C

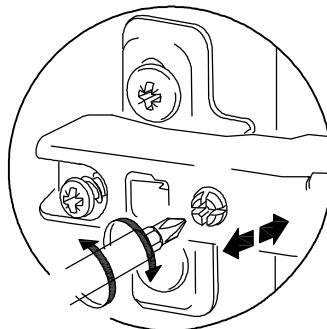
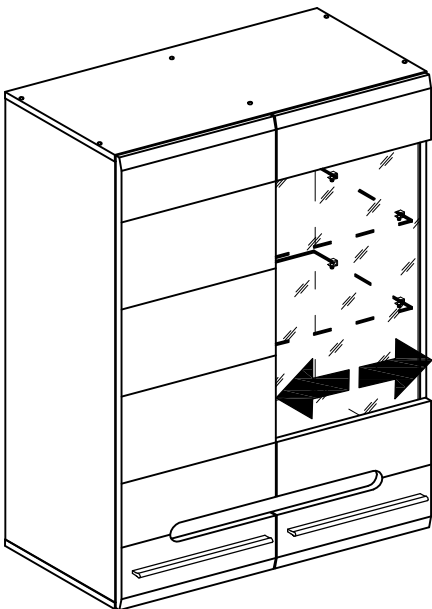
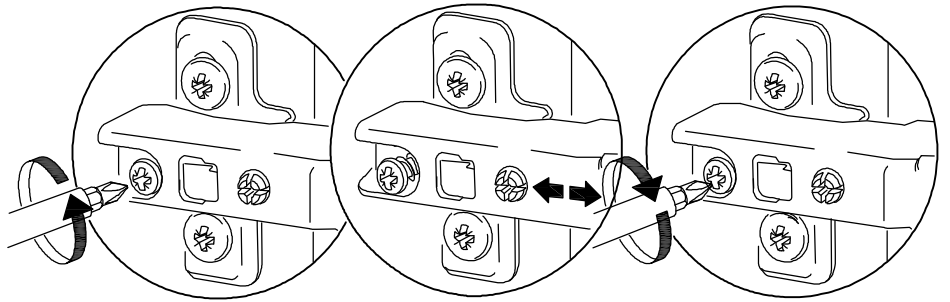
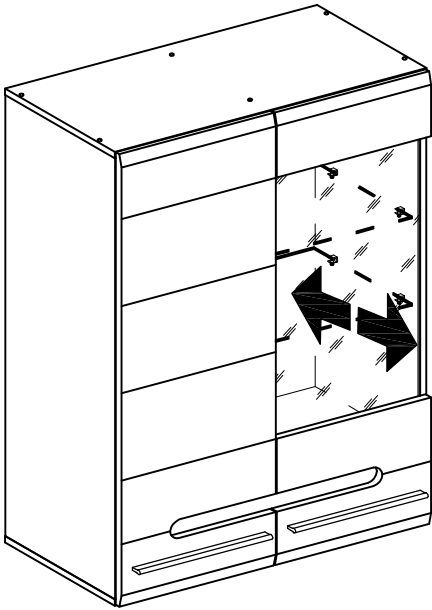
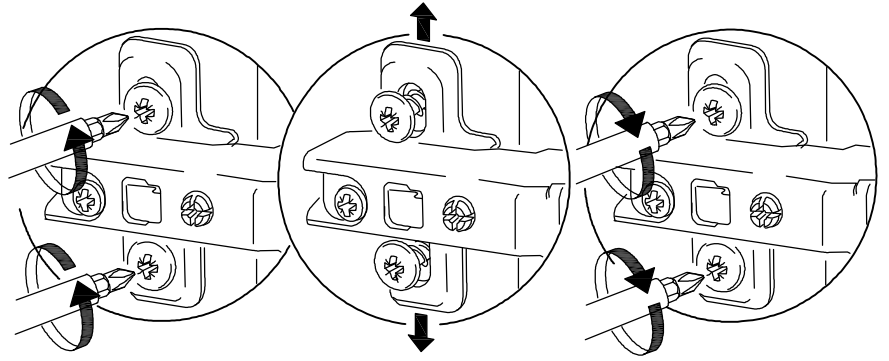
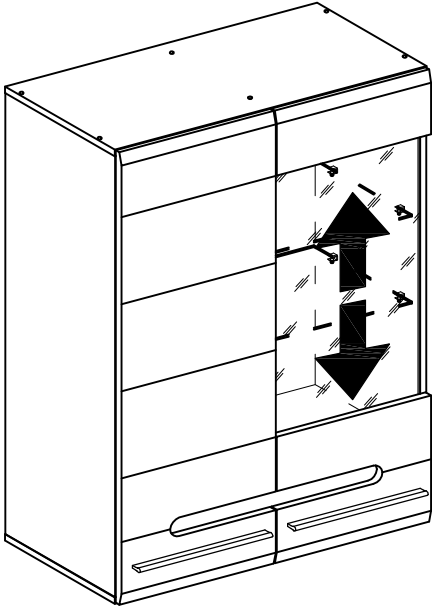
 B	x6	 D	x17	 U3	x4
--	----	--	-----	---	----

34


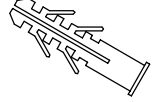
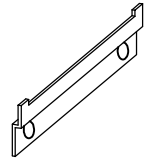


35

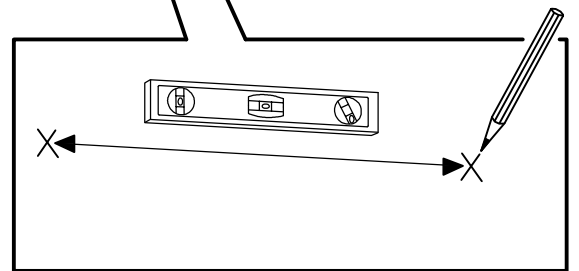
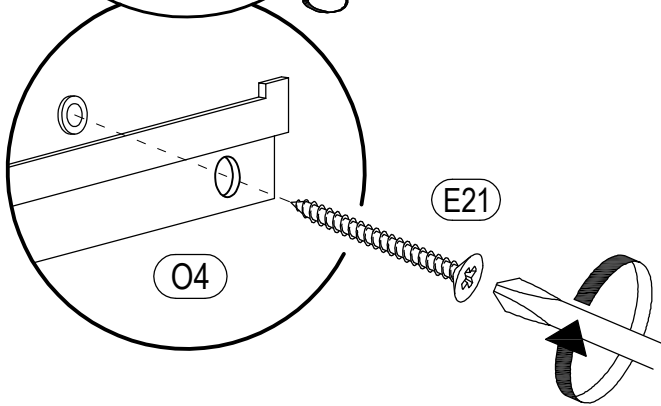
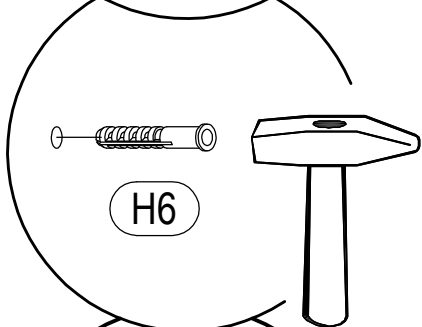
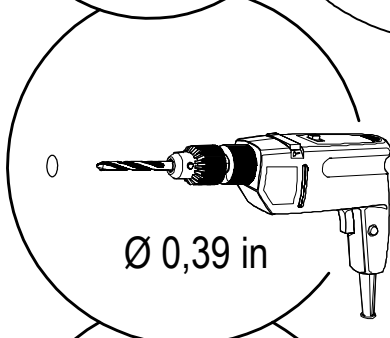
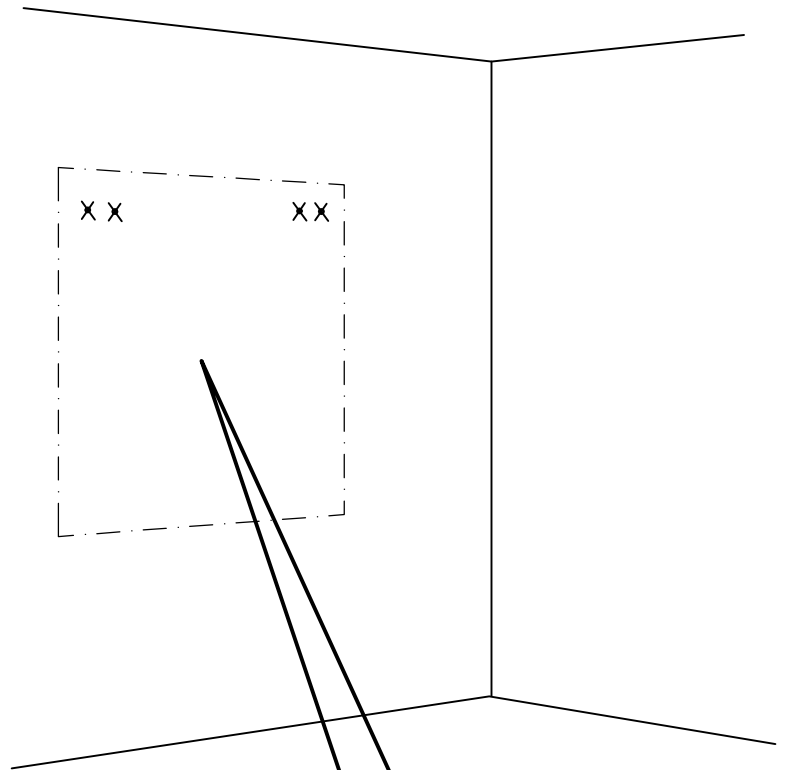
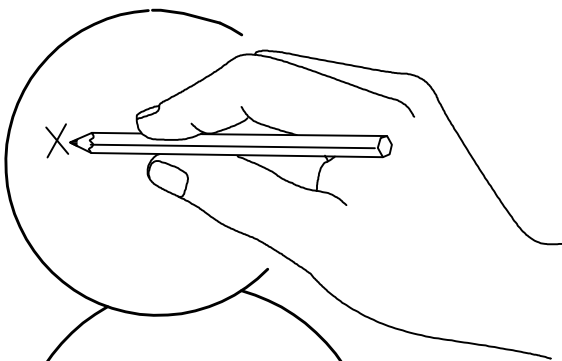
C



C

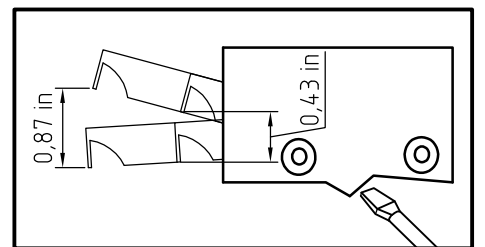
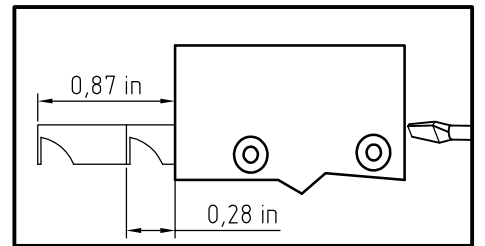
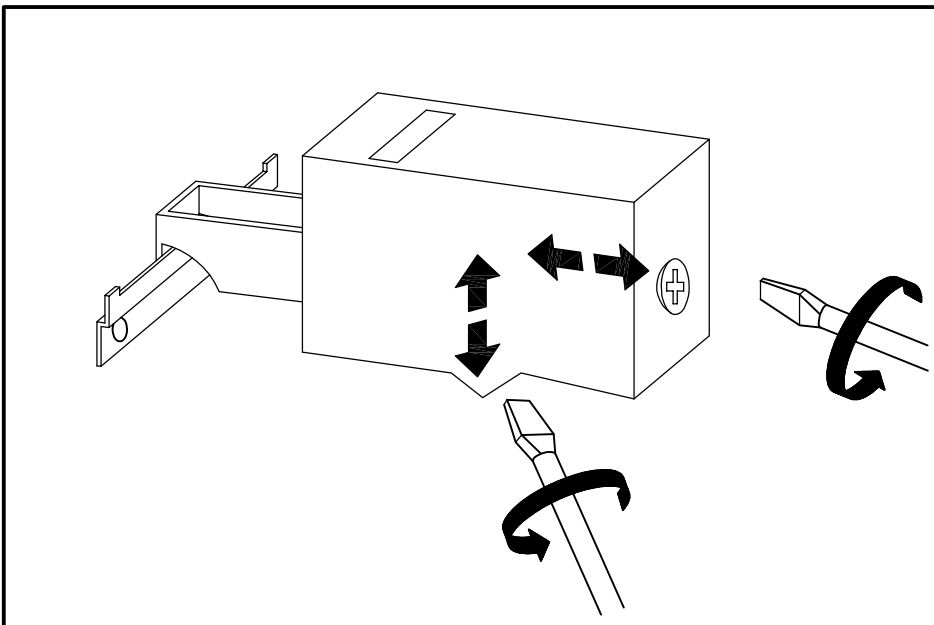
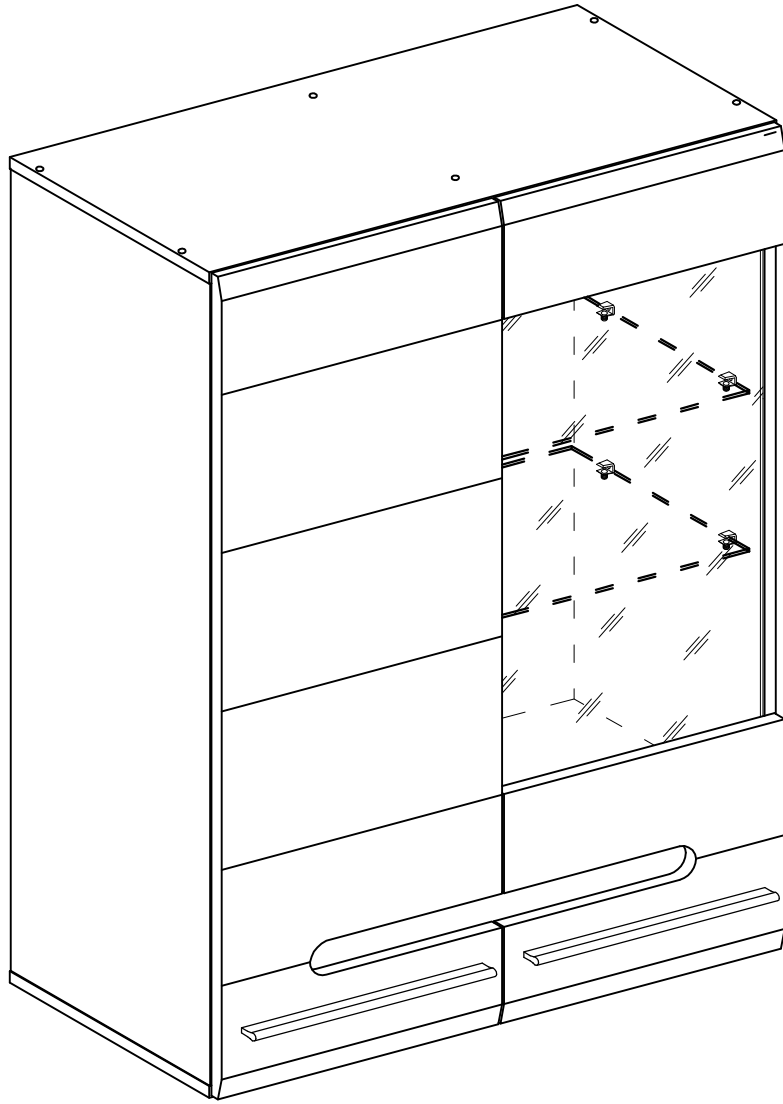
 E21 0,24*2,36 in x4	 H6 0,39*1,97 in x4	 O4 x2
--	---	--

36

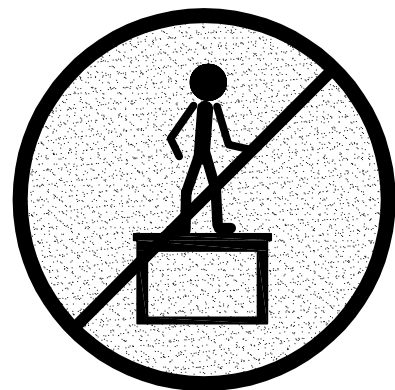
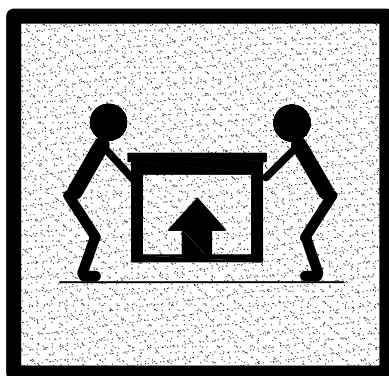
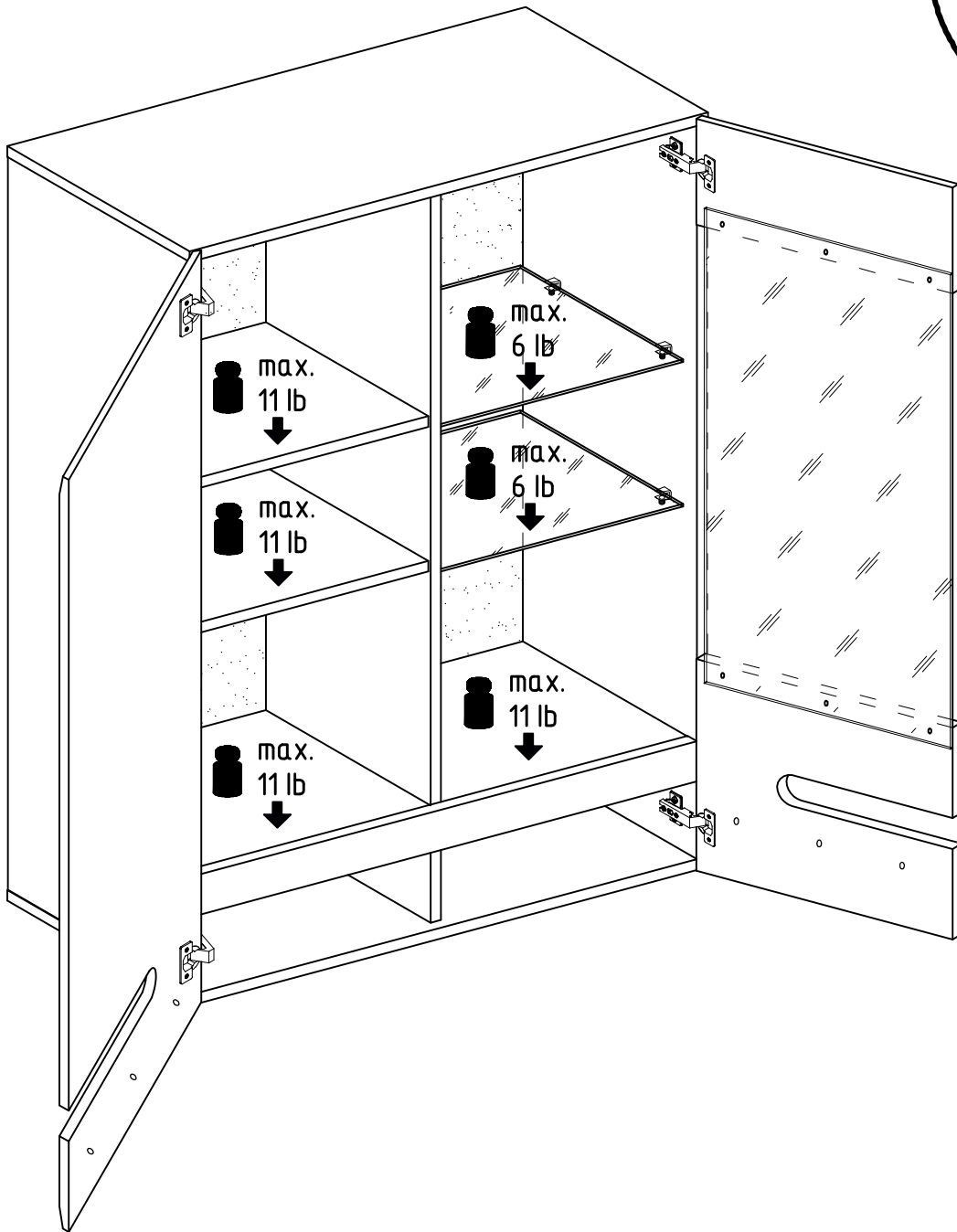
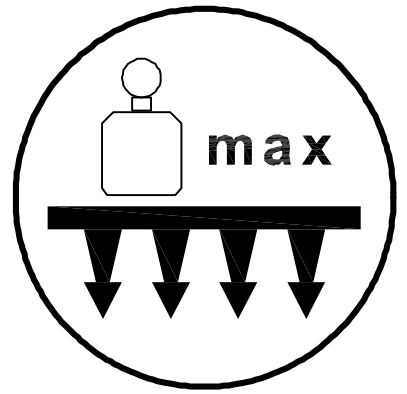


©

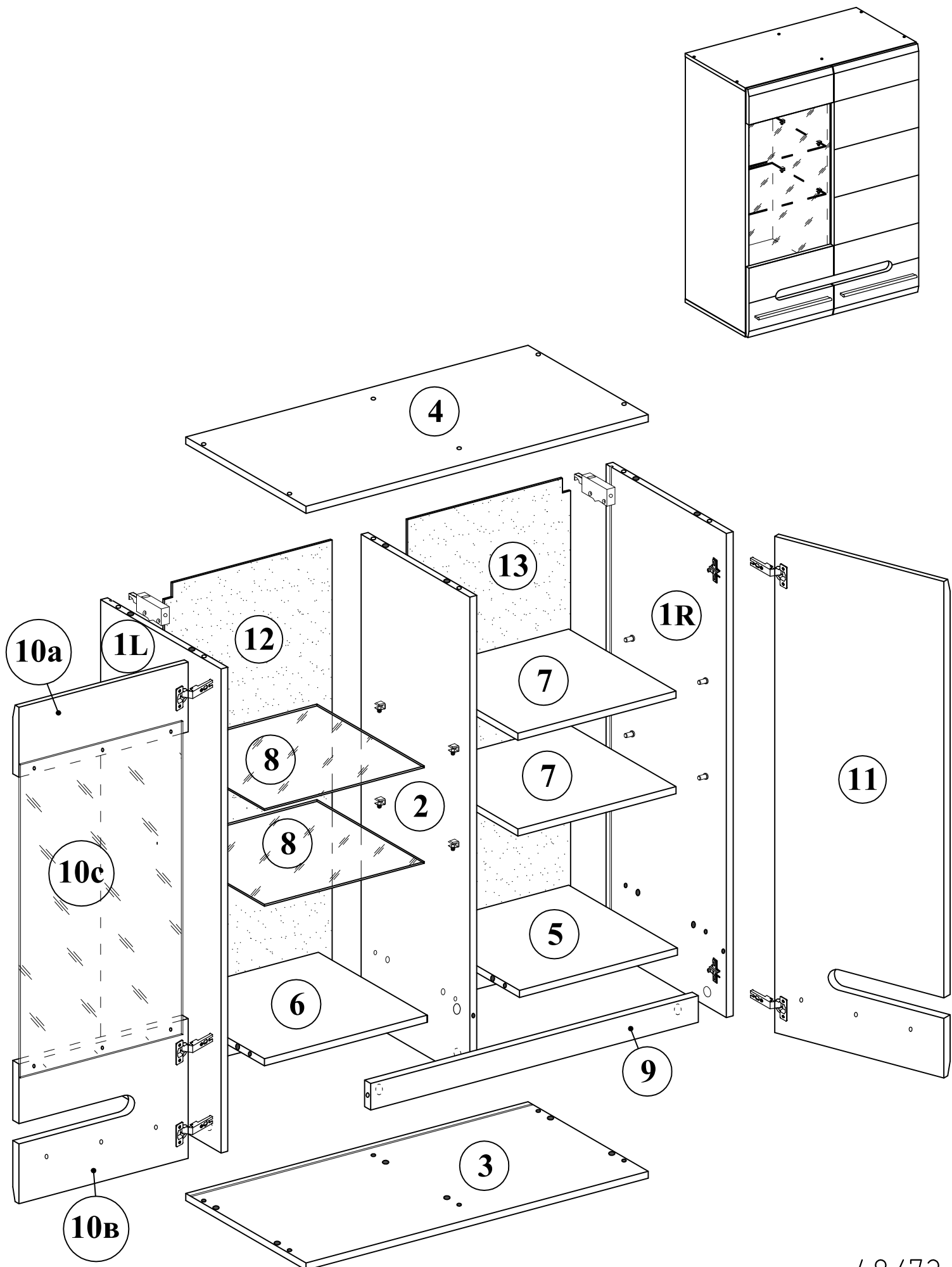
37



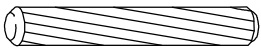
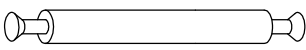

C



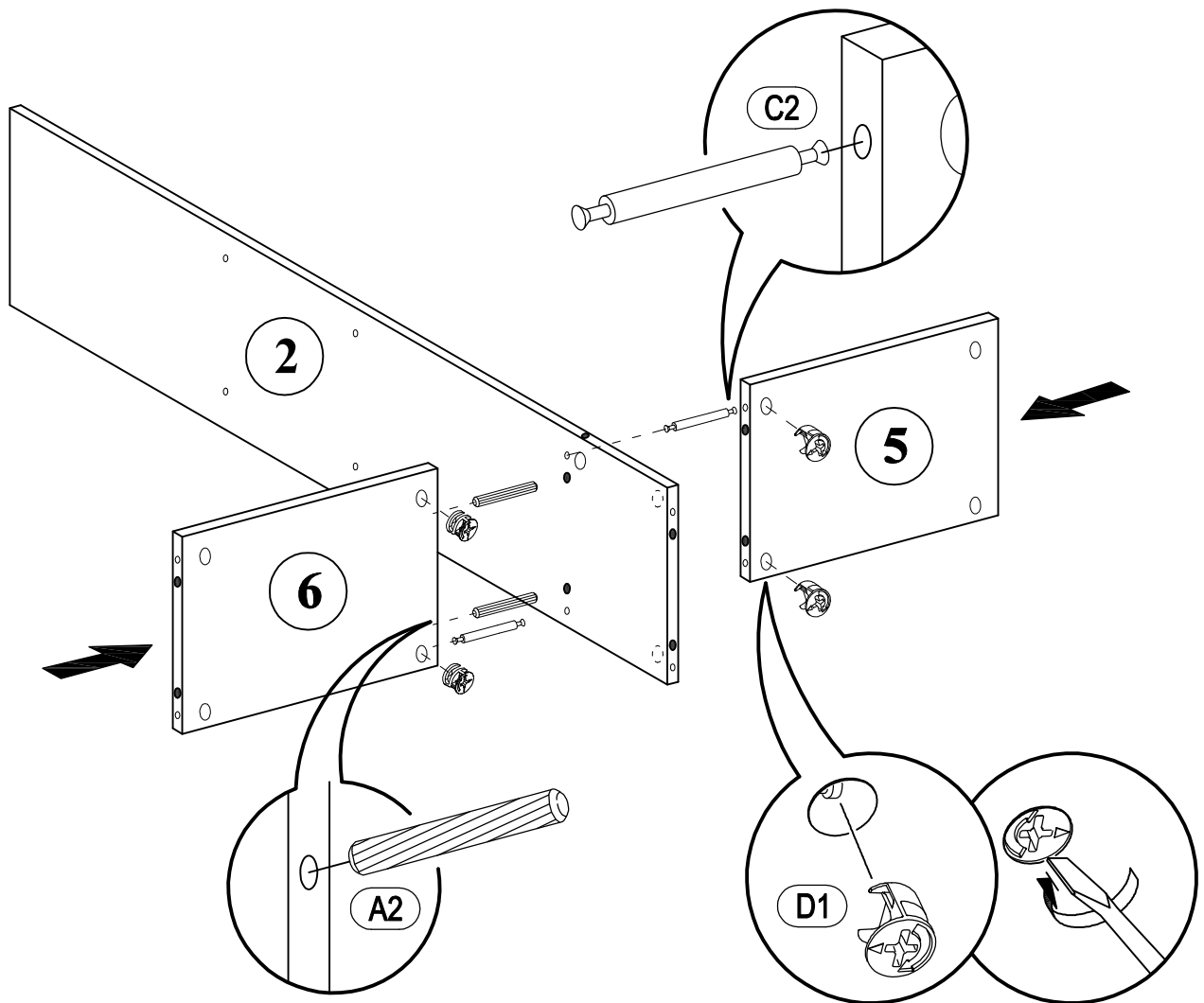
D



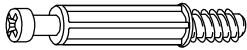

D

 A1 0,31*1,97 in x2	 C2 0,31*2,20 in x2	 D1 0,63 in x4
--	---	---

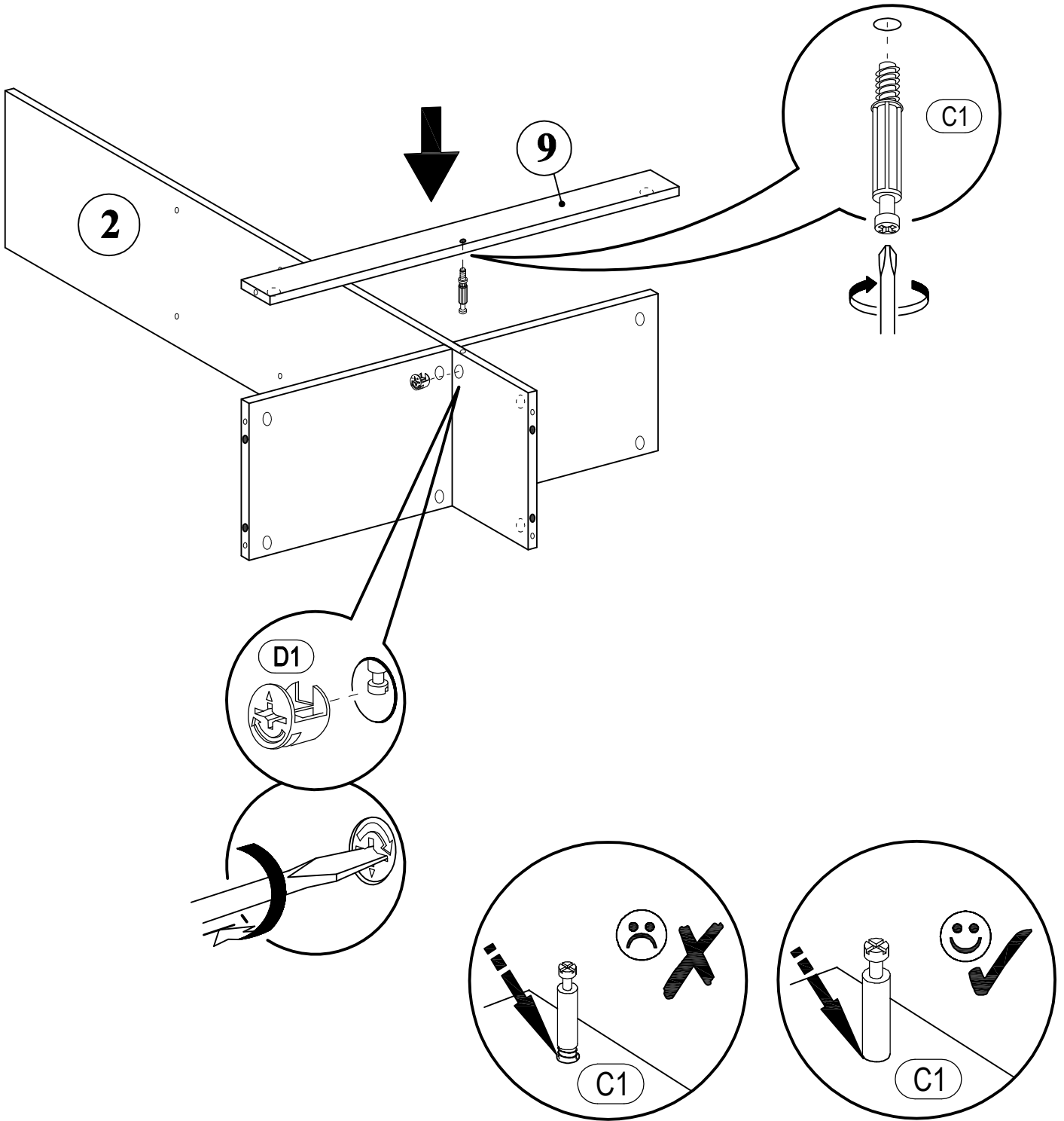
38




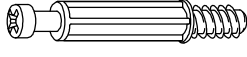

D

	
C1 0,20*1,18 in x1	D1 0,63 in x1

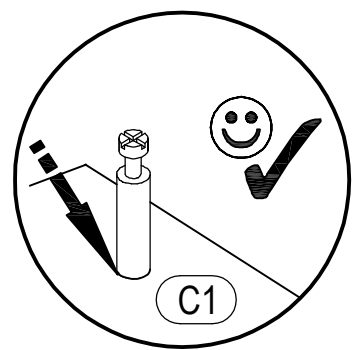
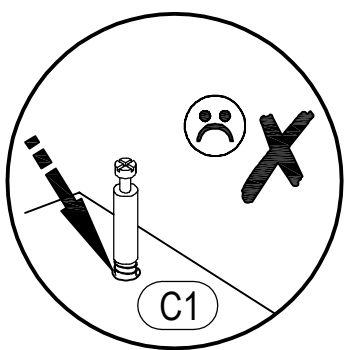
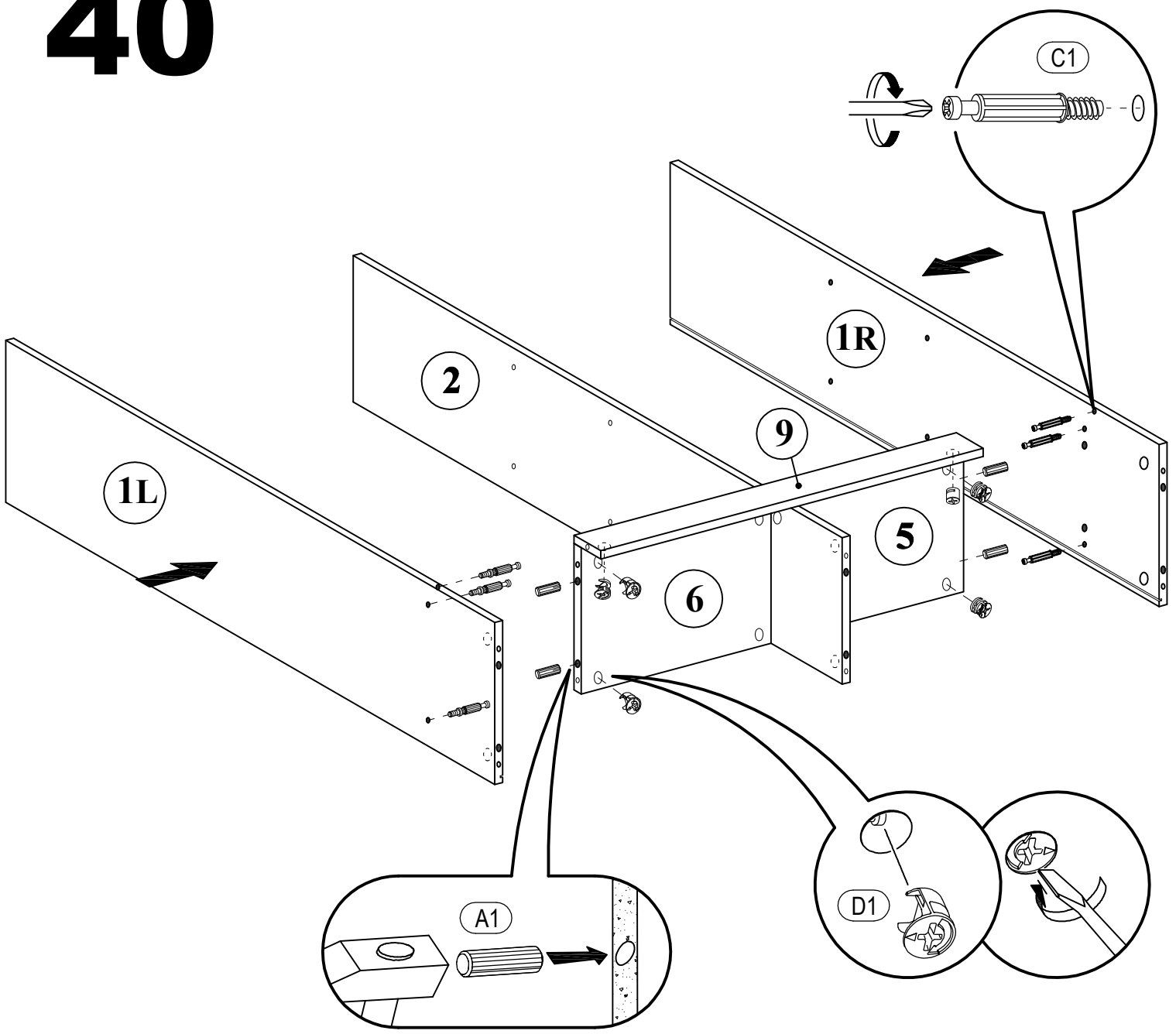
39




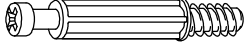

D

 A1 0,31*1,18 in x4	 C1 0,20*1,18 in x6	 D1 0,63 in x6
---	--	--

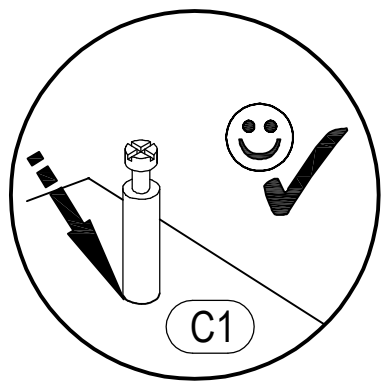
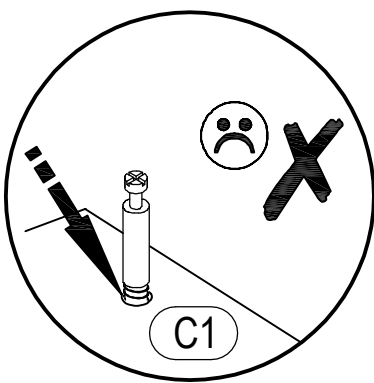
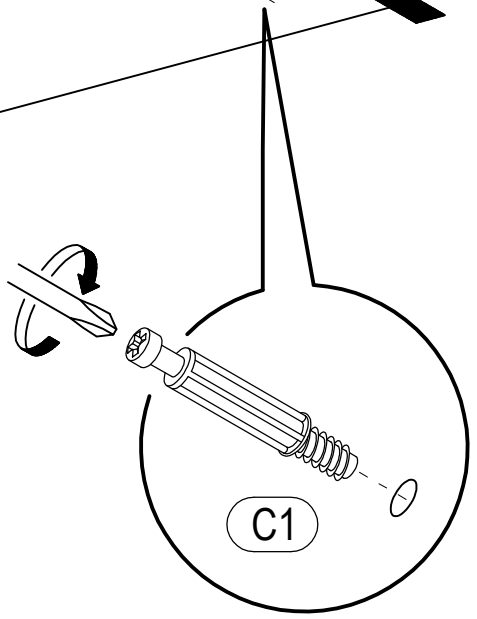
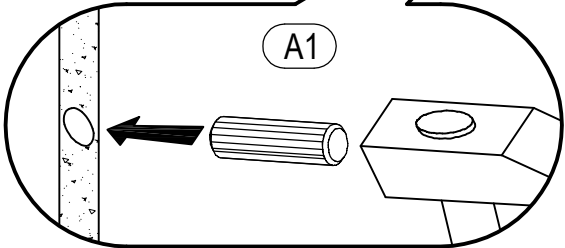
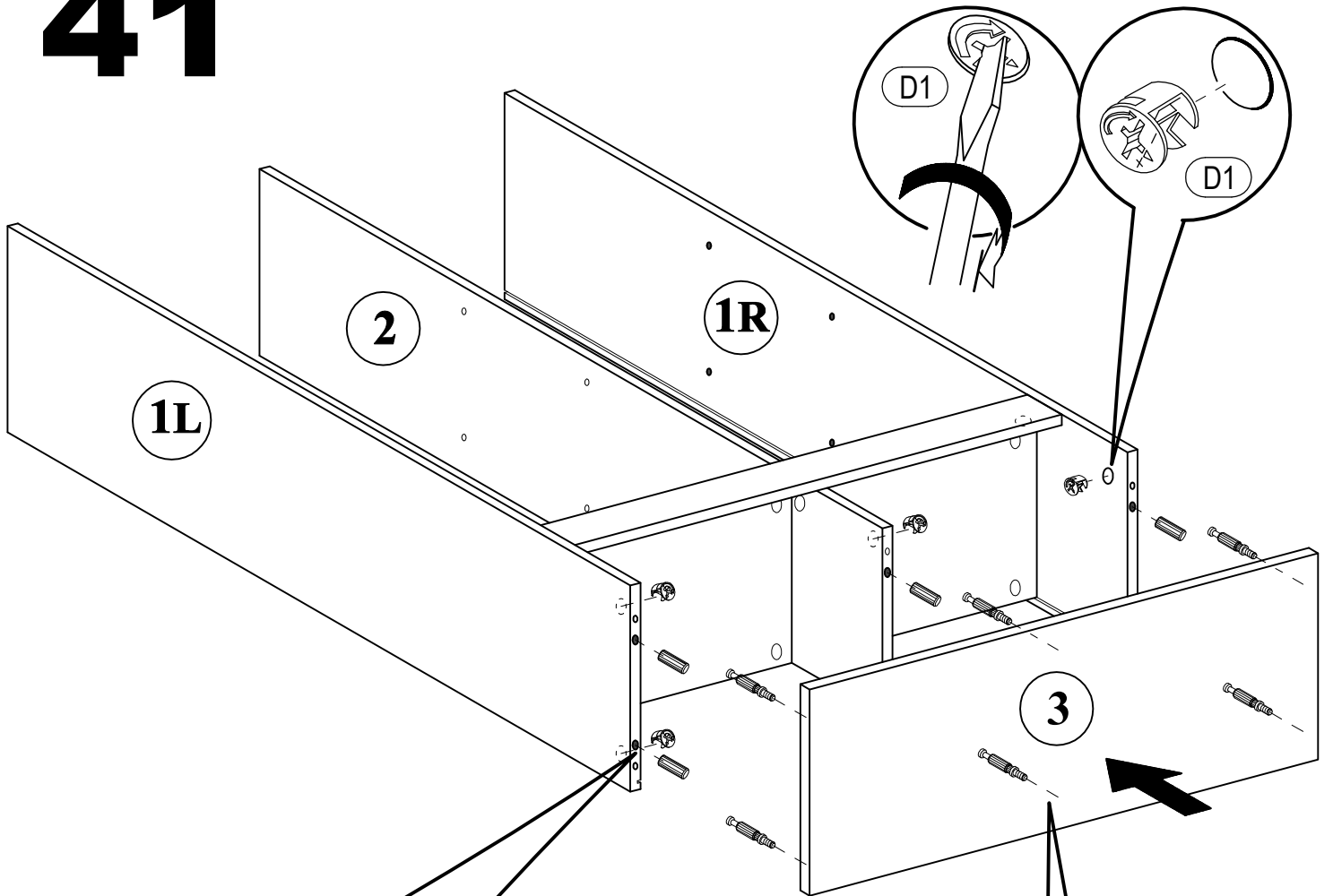
40




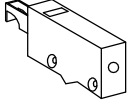
D

 A1 0,31*1,18 in x6	 C1 0,20*1,18 in x6	 D1 0,63 in x6
---	--	--

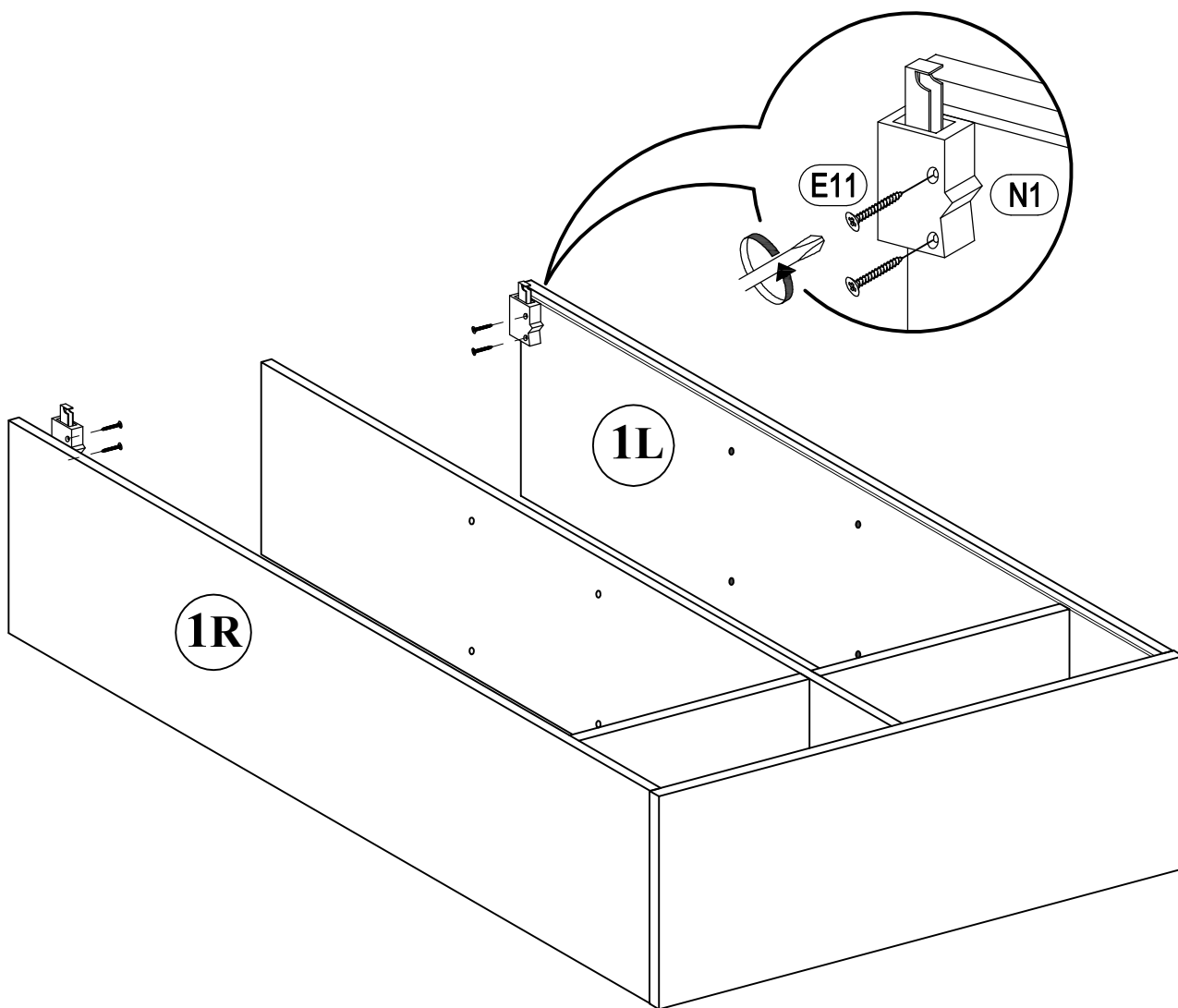
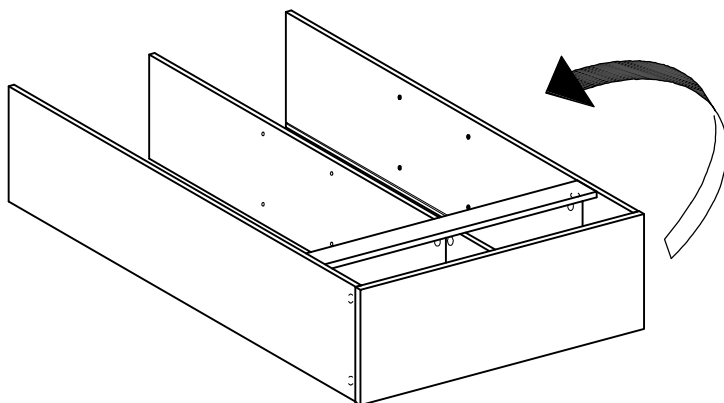
41



D

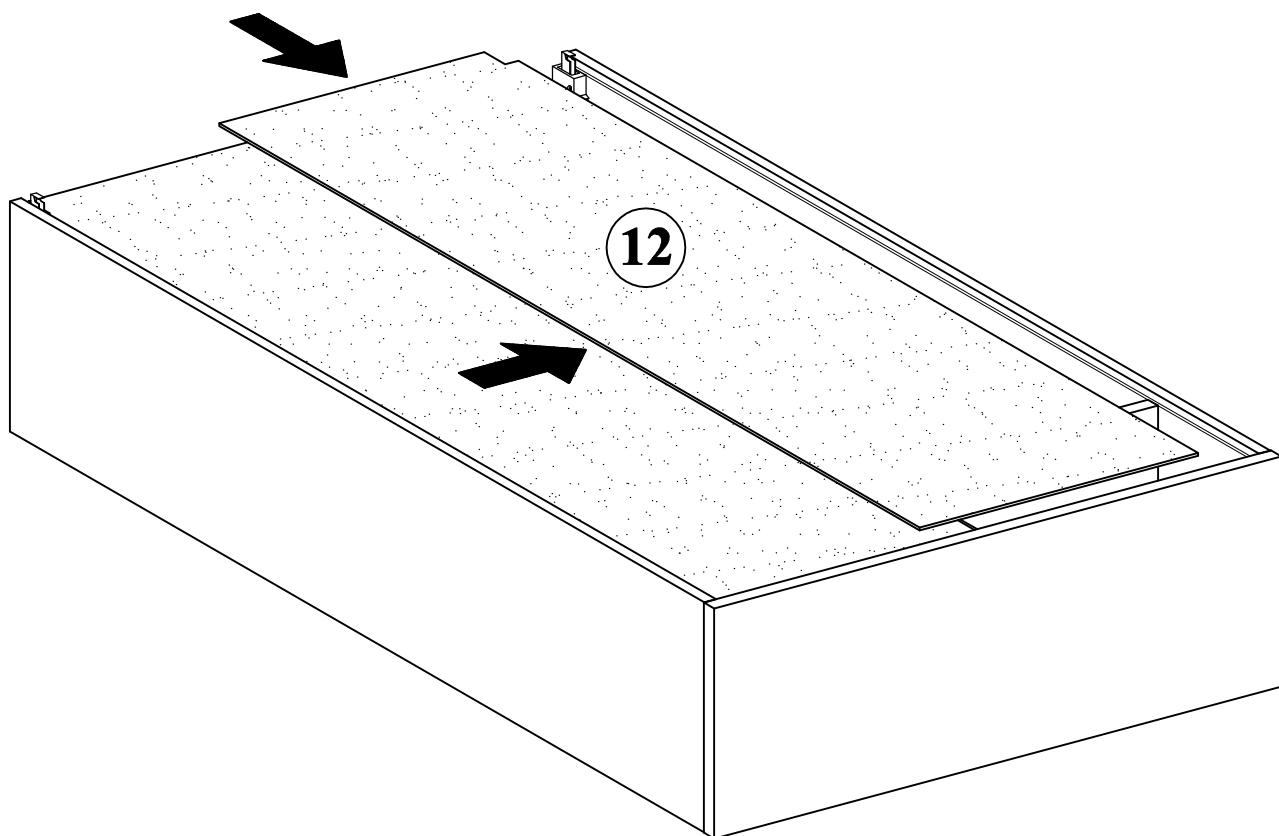
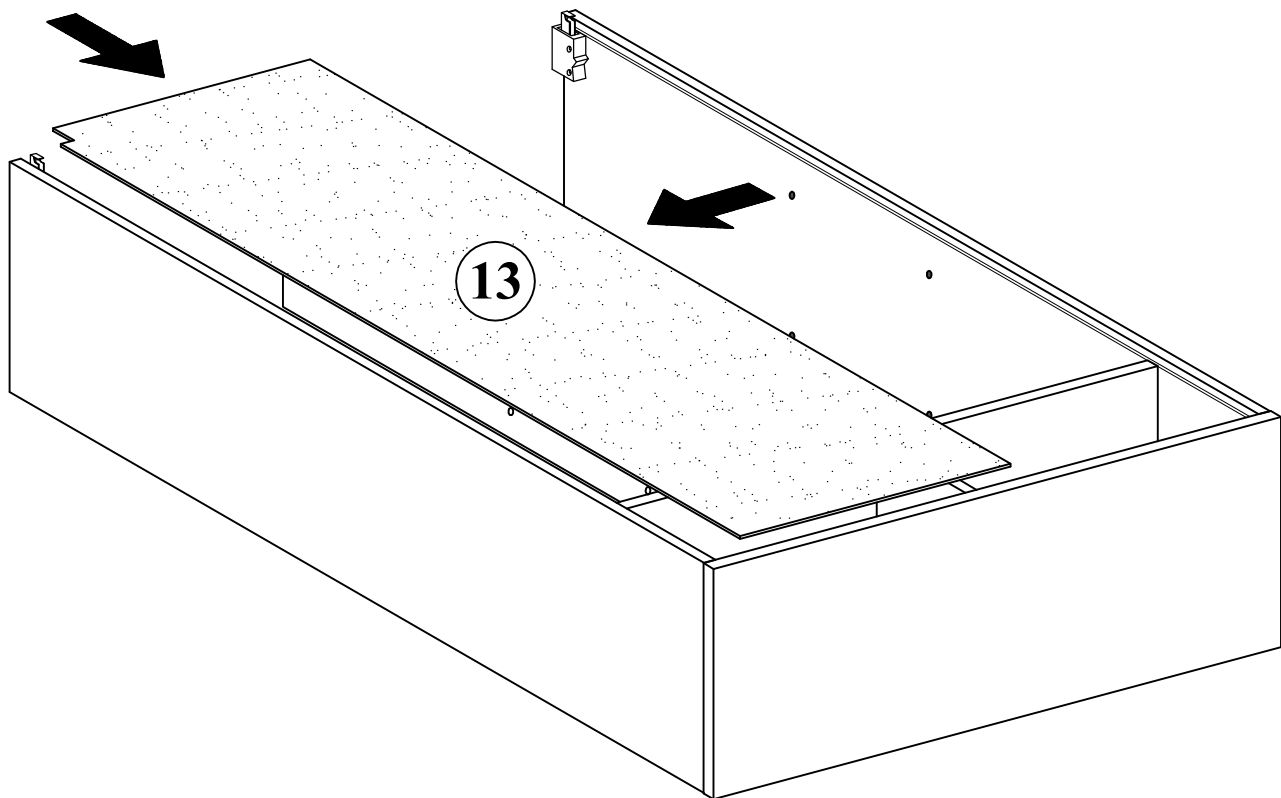
	
E11 0,16*1,18 in x4	N1 x2

42



D

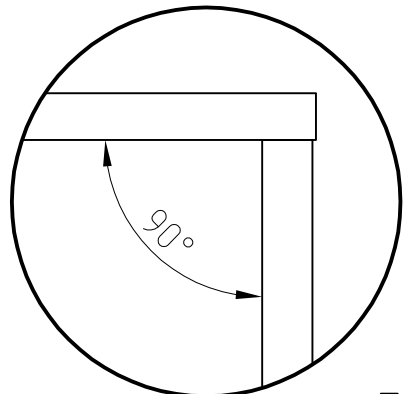
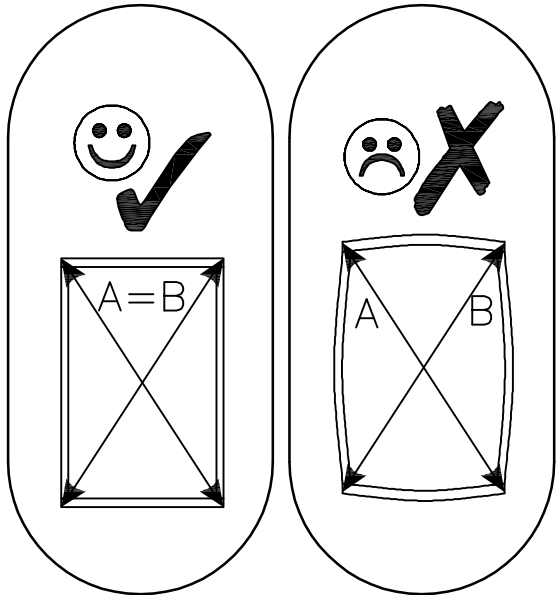
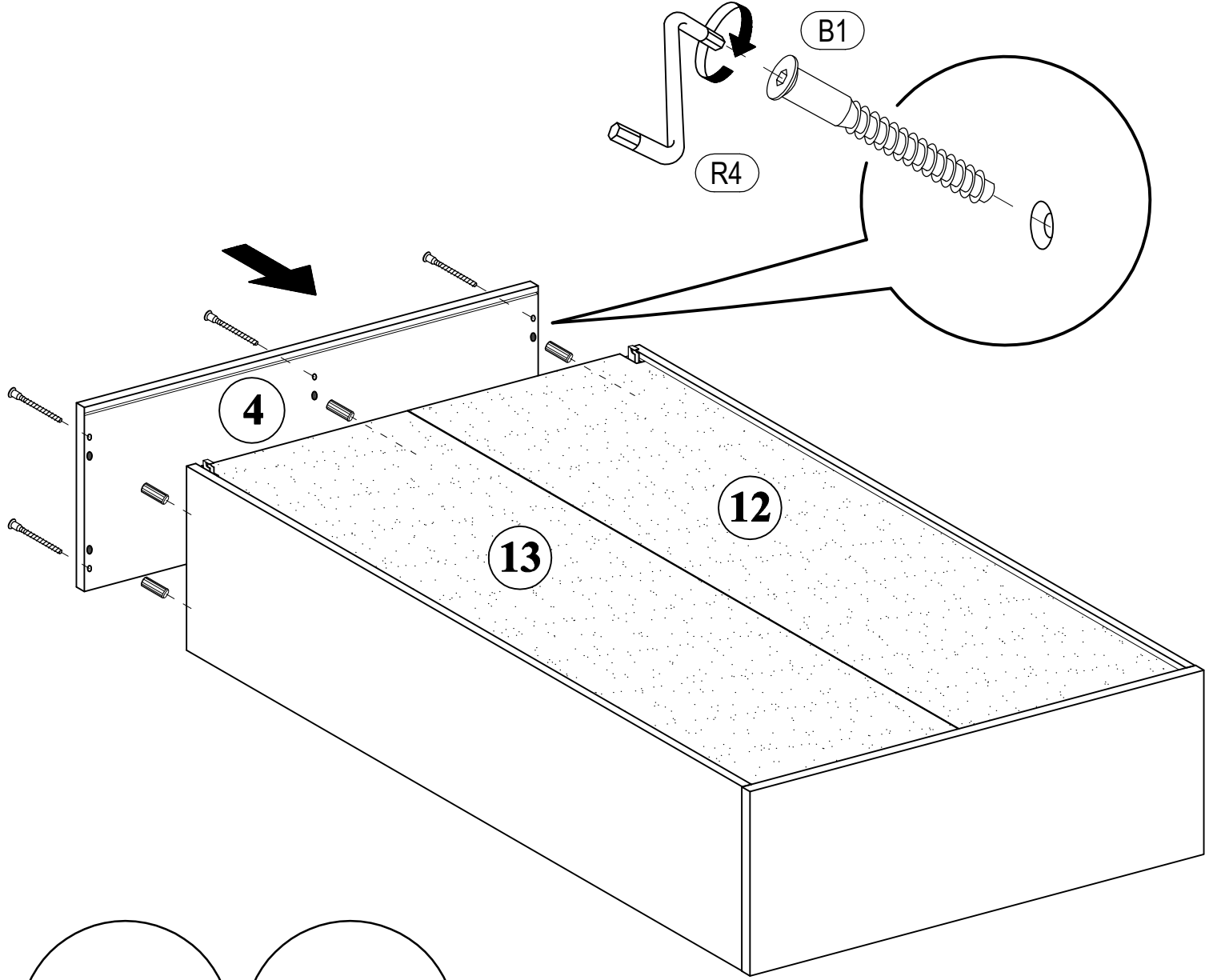
43






D

44

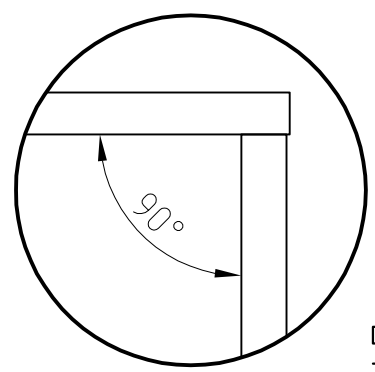
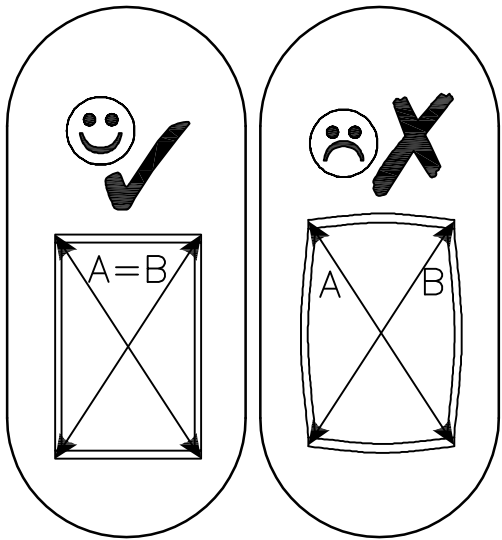
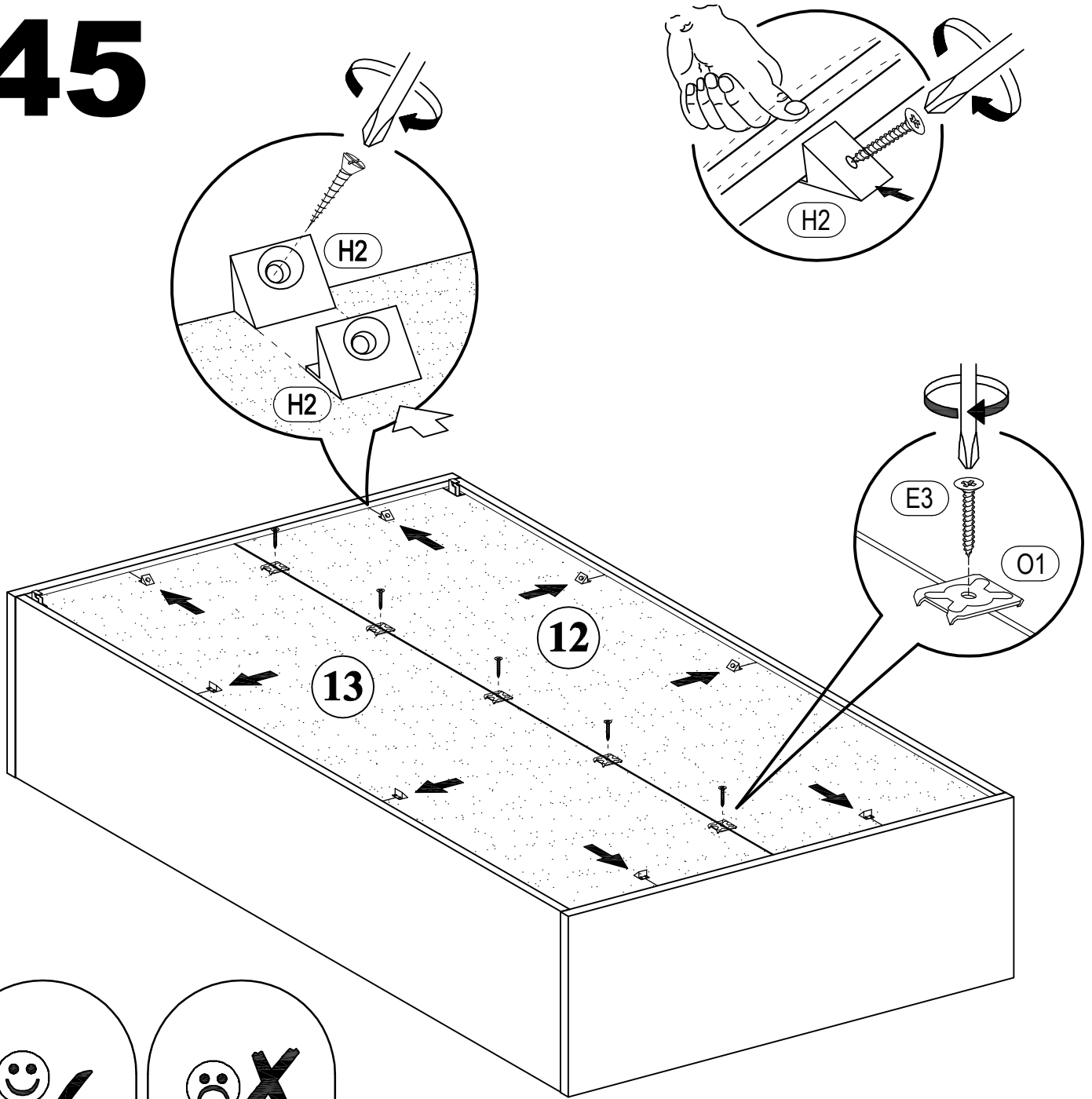
	
B1 0,25*1,97 in x6	R4 N°4 x1





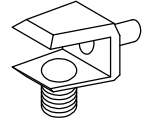
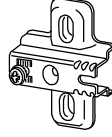
D

 (E3) 0,12*0,79 in x5	 (H2) x8	 (O1) x5
--	---	---

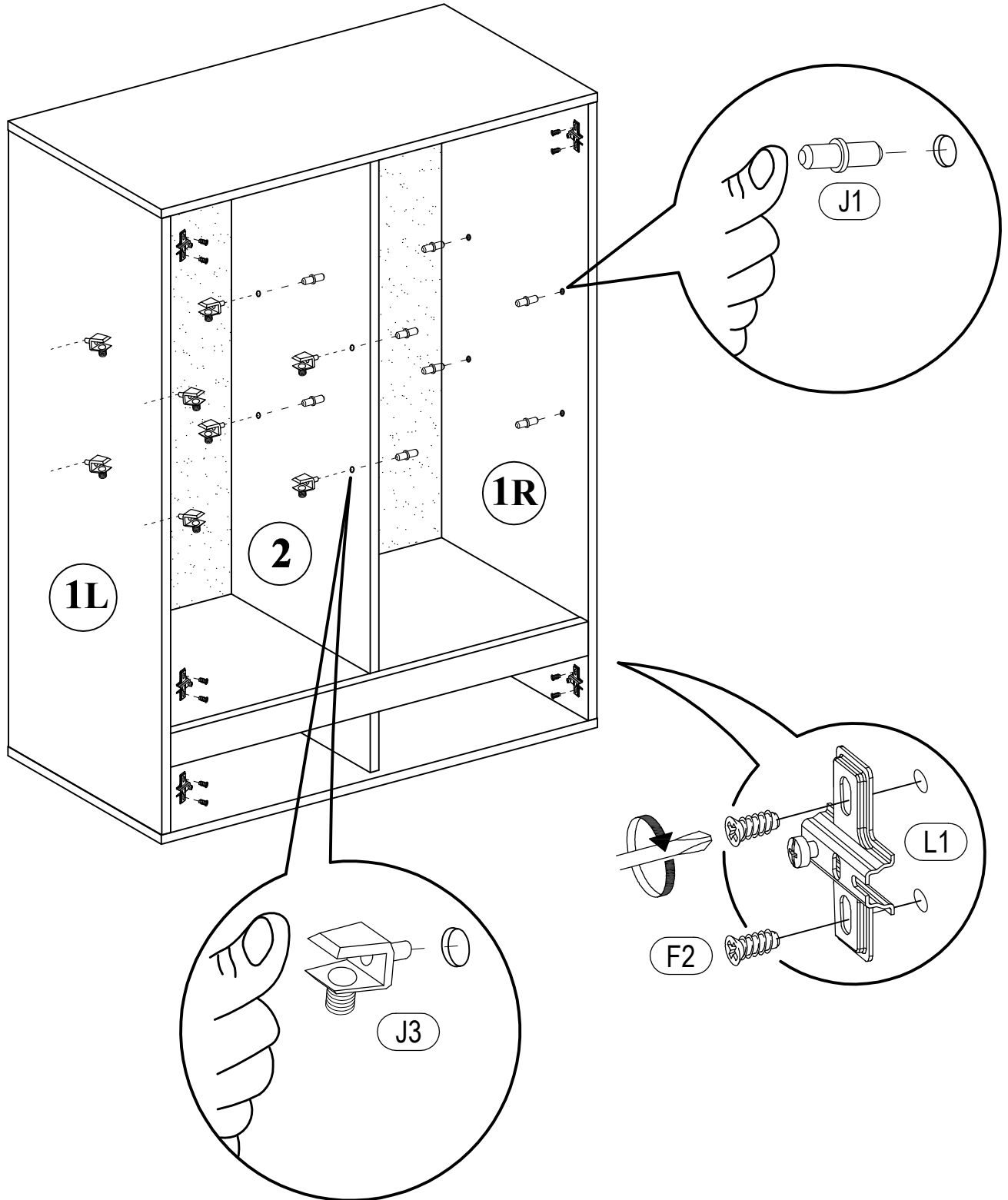
45



D

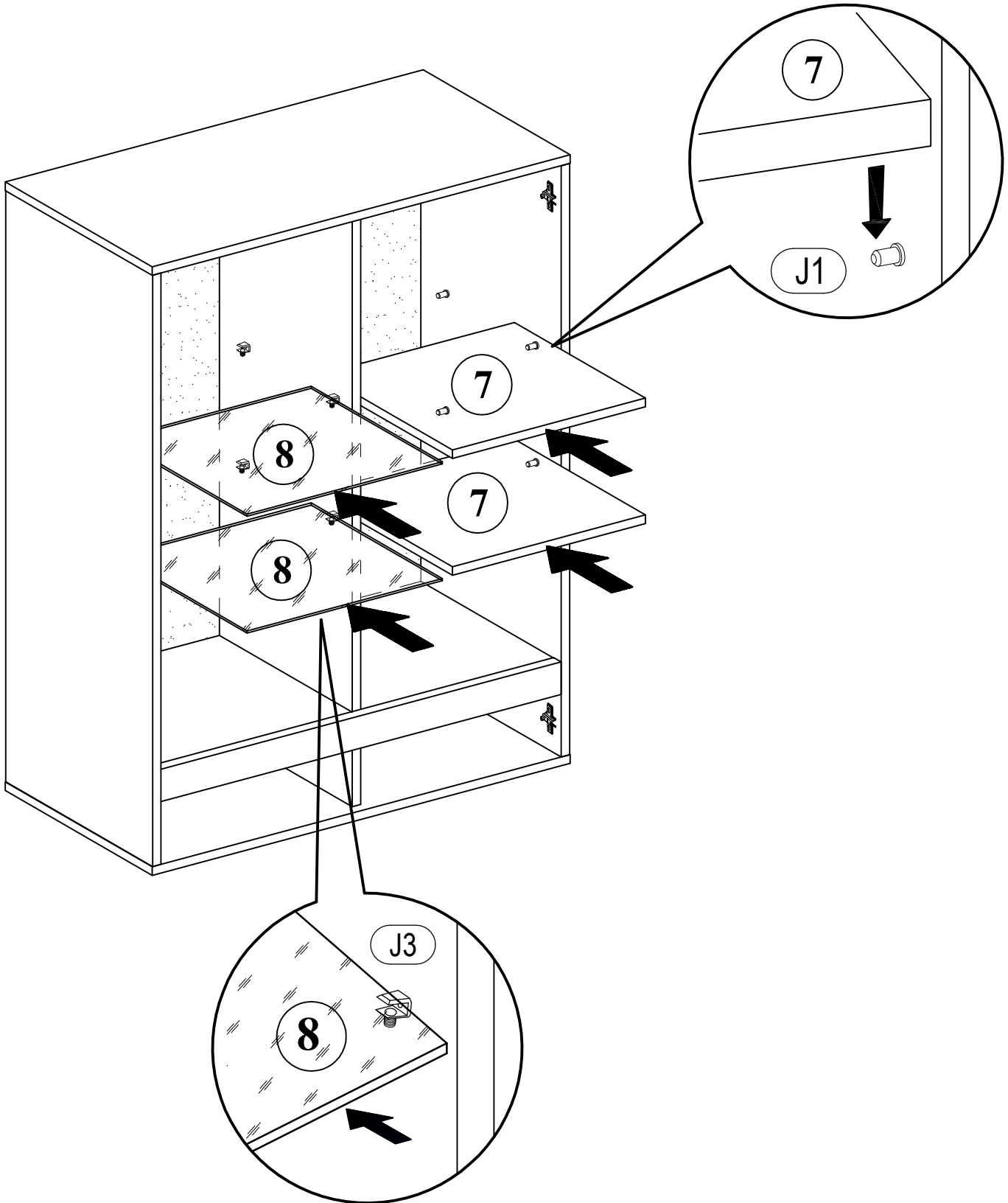
 F2 0,25*0,51 in x10	 J1 0,20*0,63 in x8	 J3 x8
		 L1 x5

46




D


47



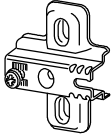
D




E4 0,14*0,63 in x10



Ea2 0,17*0,63 in x6

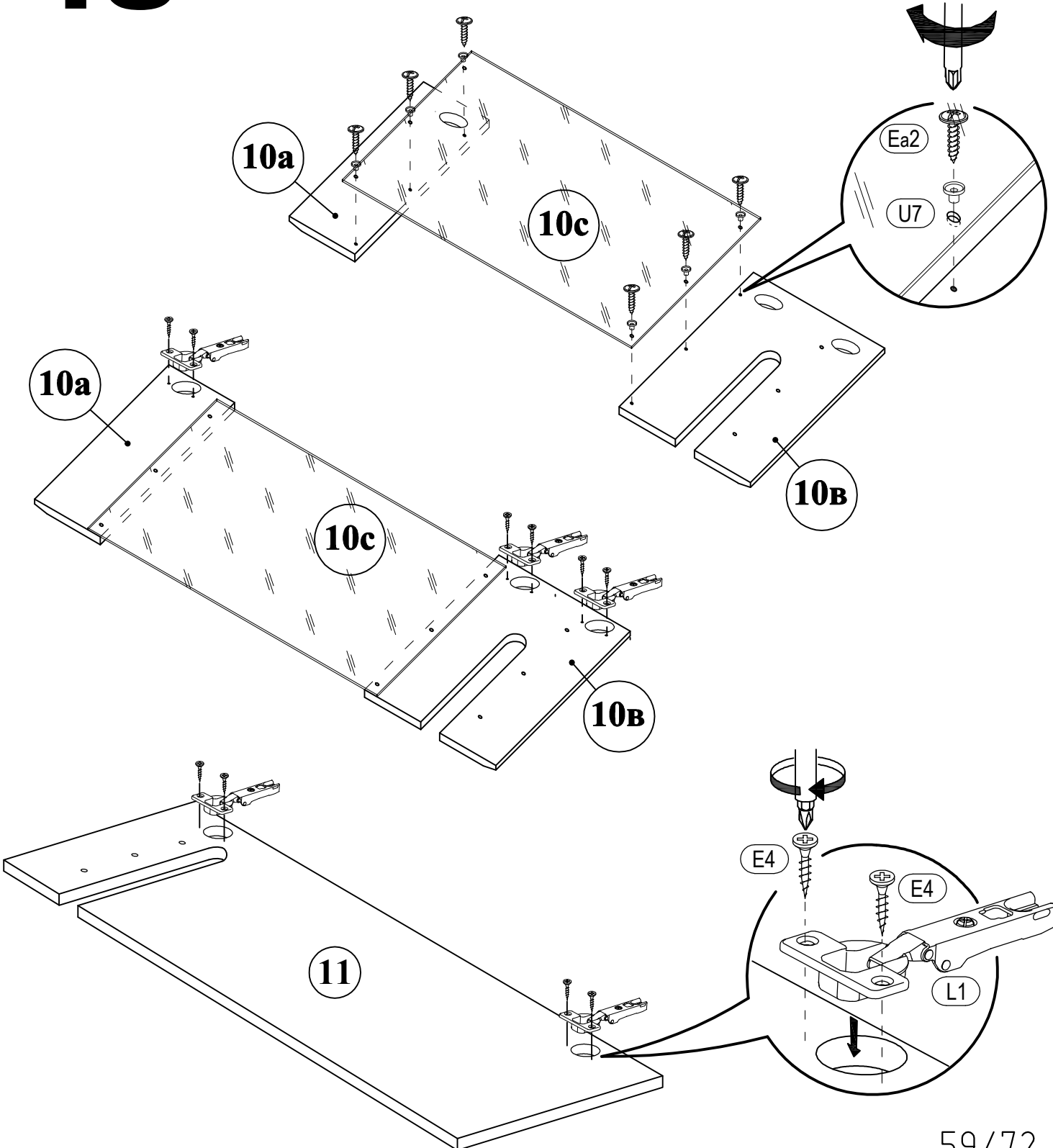


L1 x5



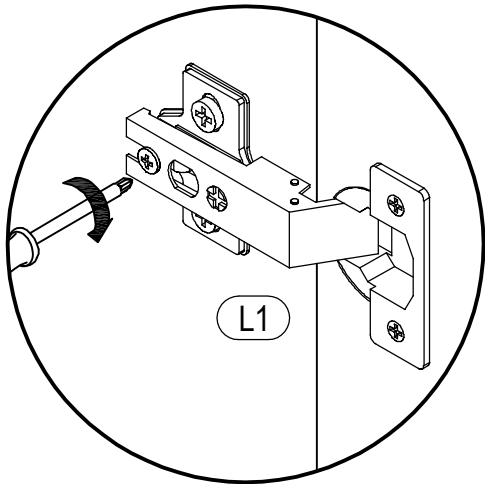
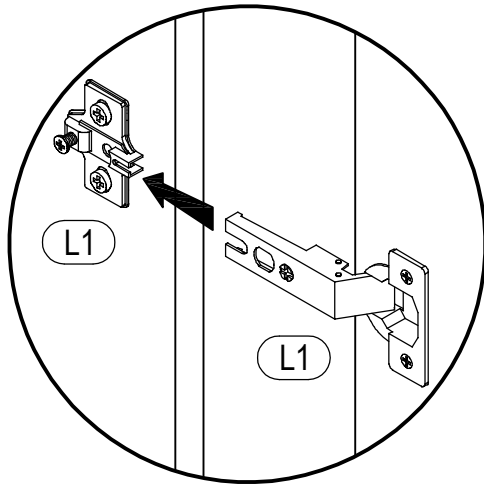
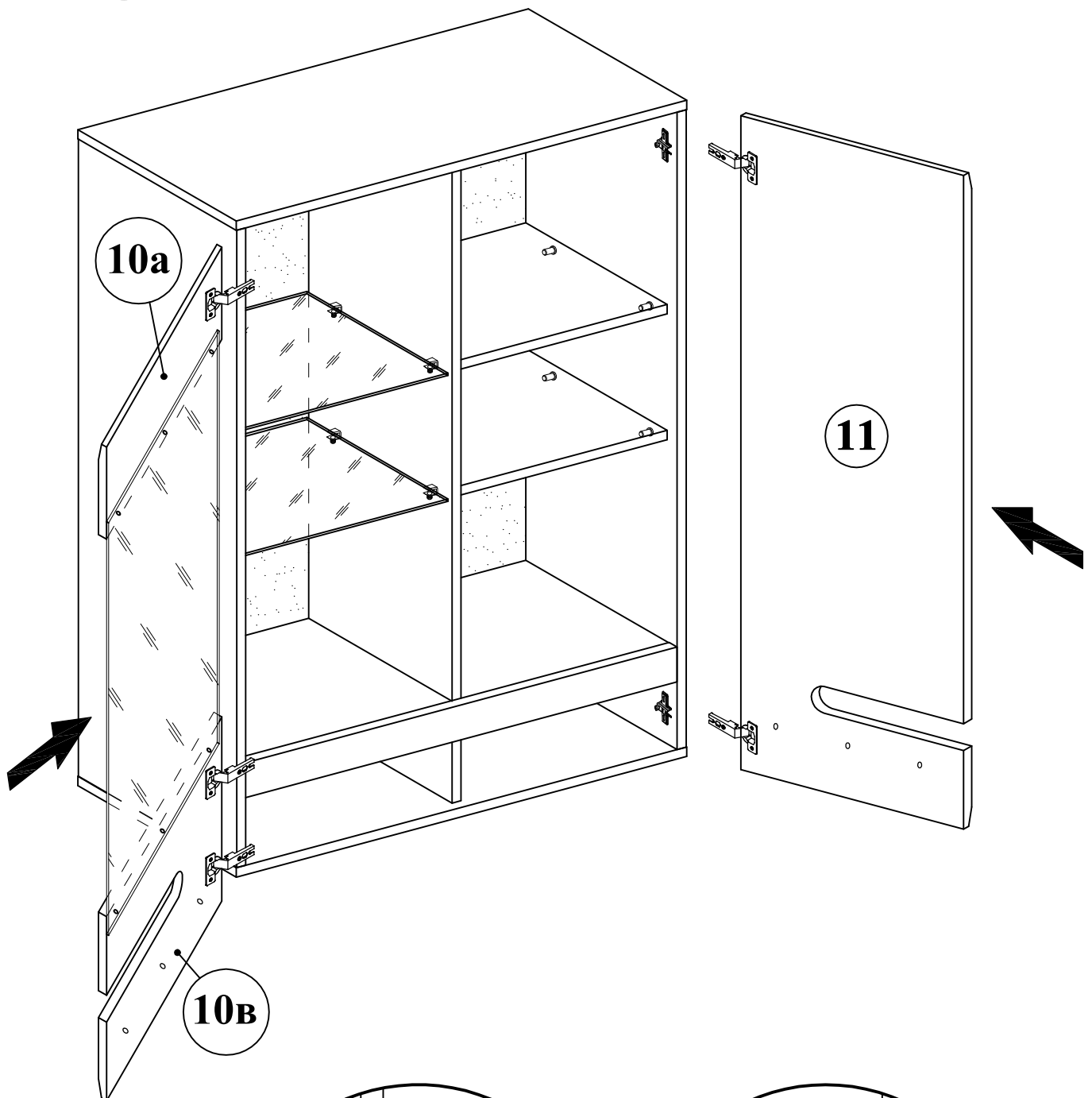
U7 x6

48




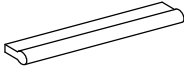
D

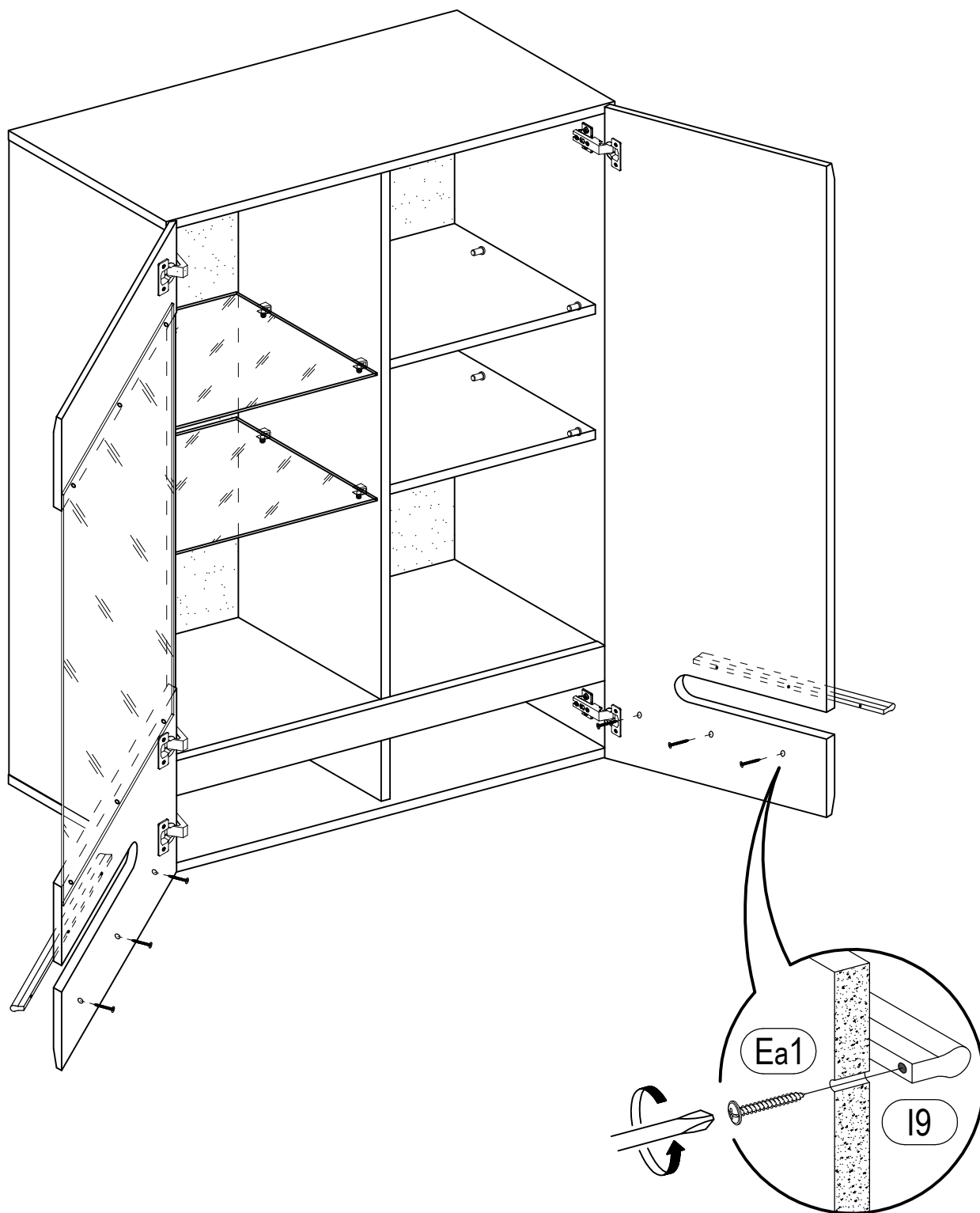
49




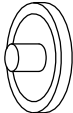

D

50

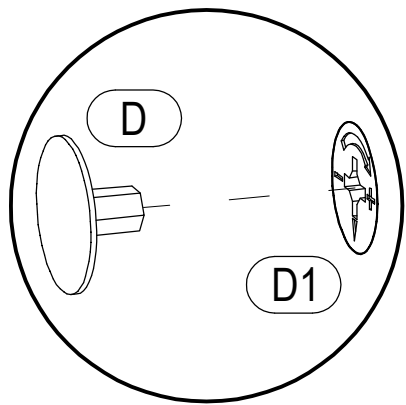
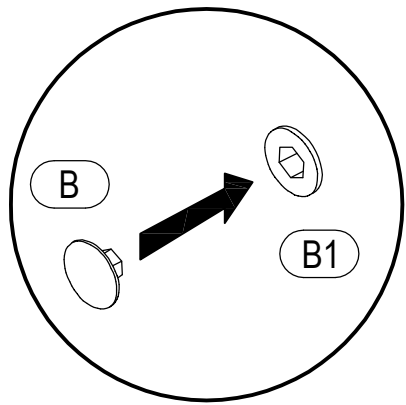
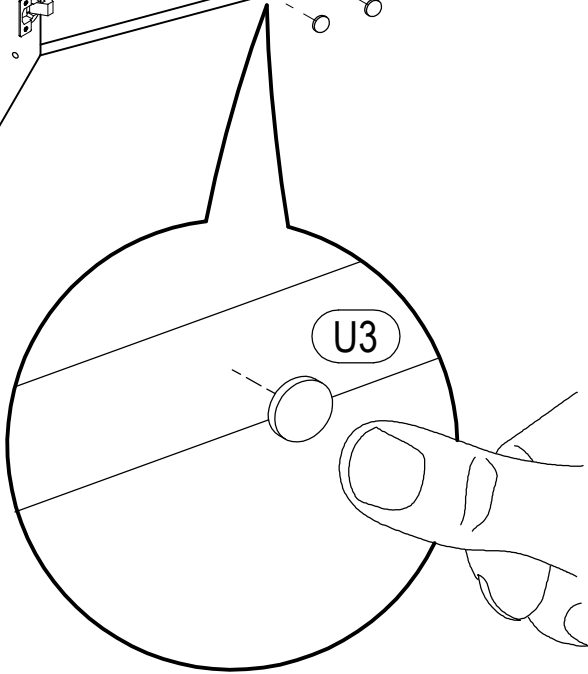
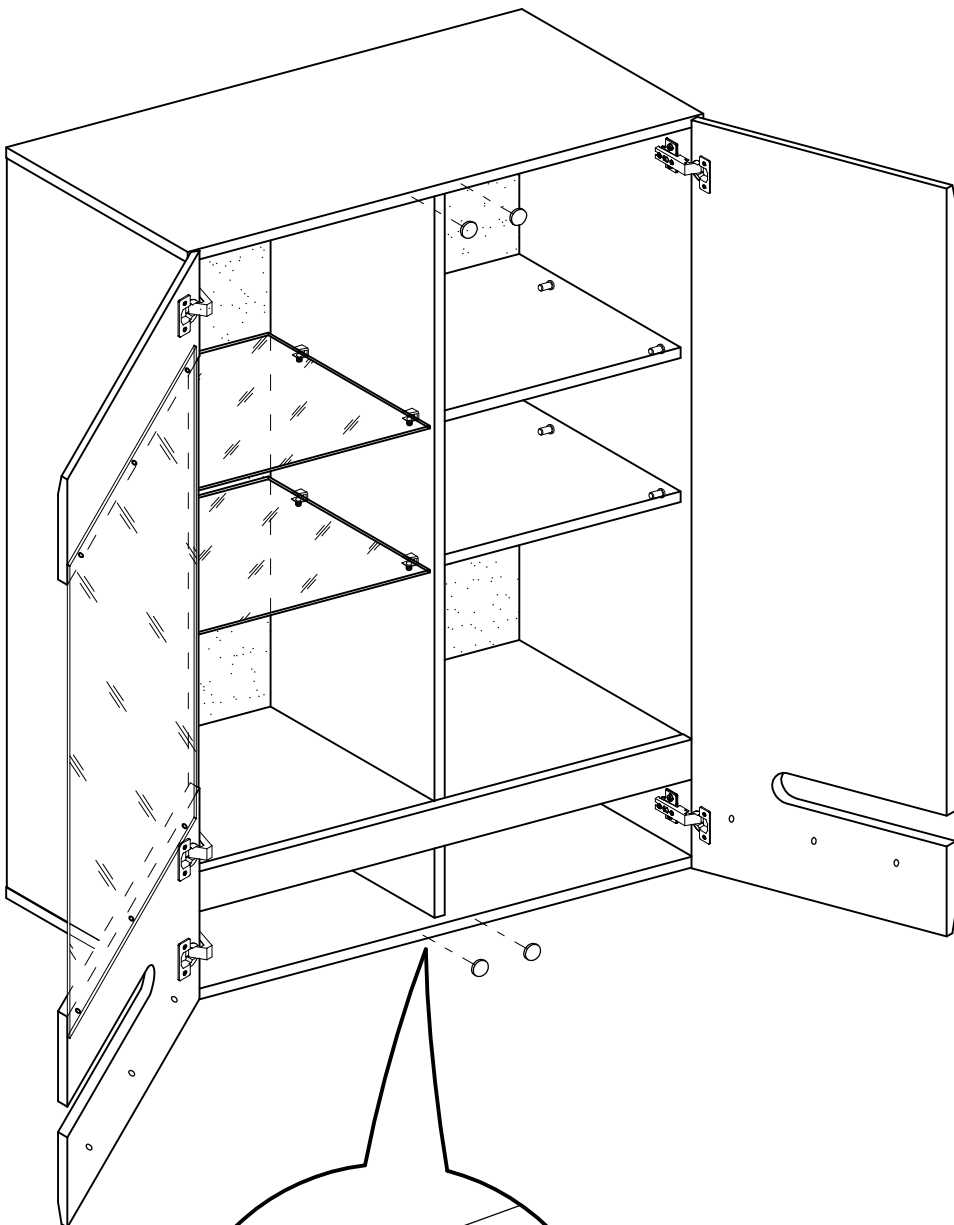
 Ea1 0,14*1,06 in x6	 I9 x2
--	--



D

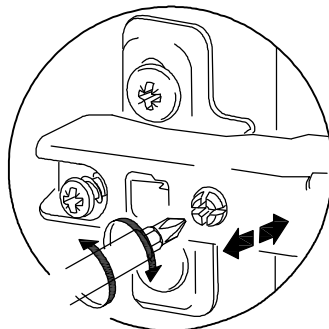
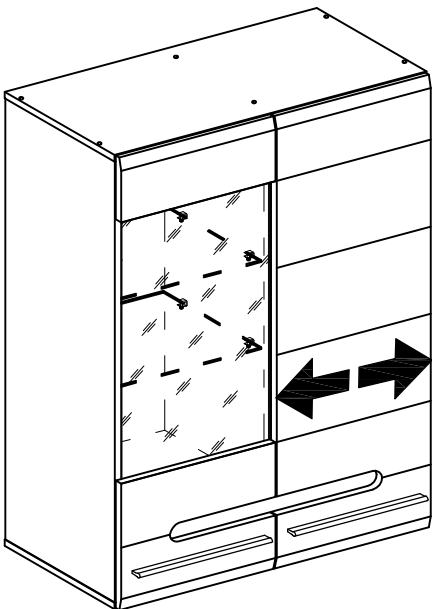
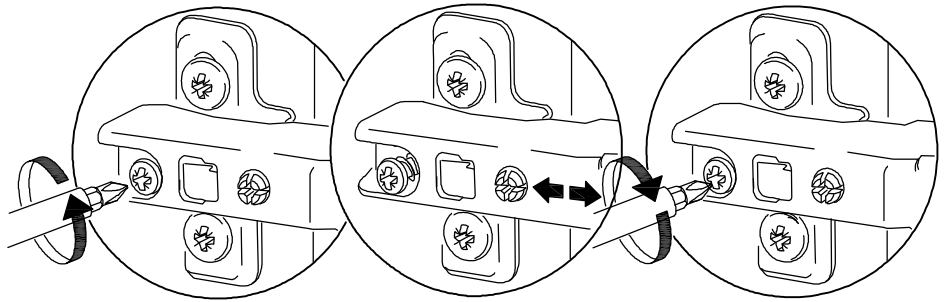
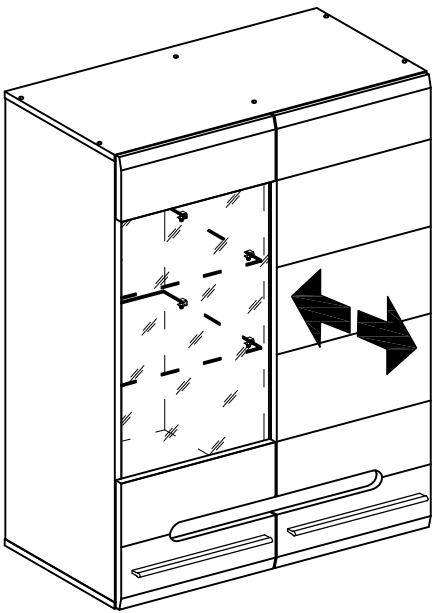
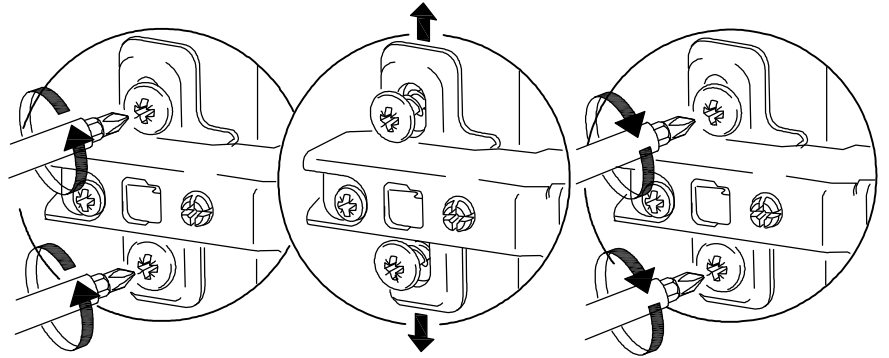
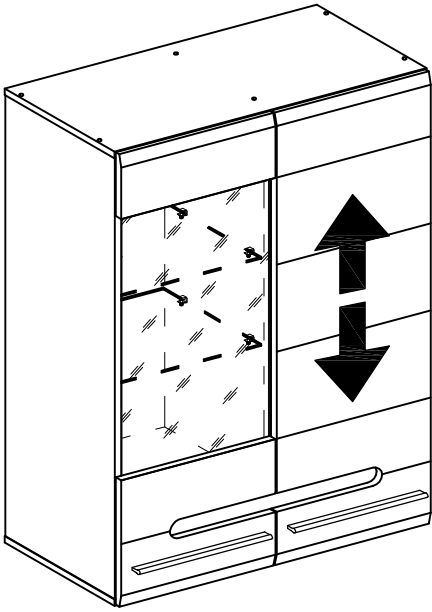
 B	x6	 D	x17	 U3	x4
---	----	---	-----	--	----

51


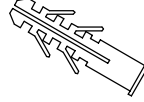
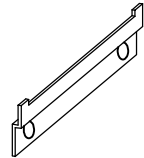


52

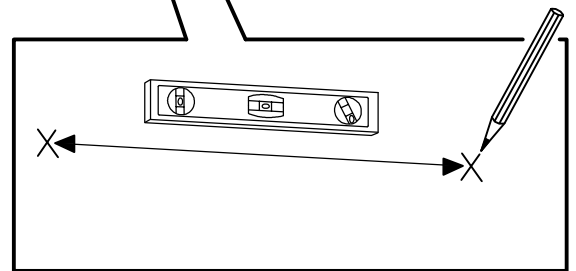
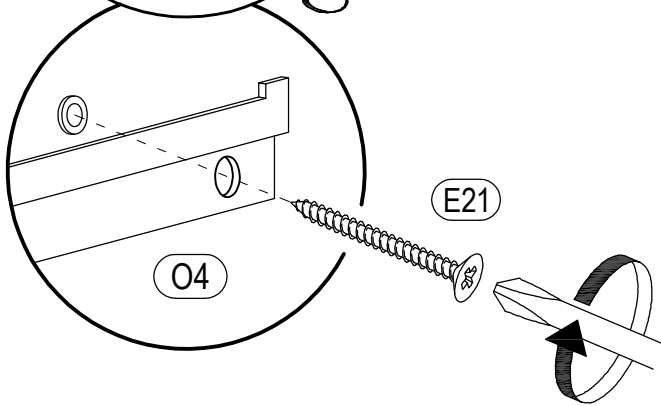
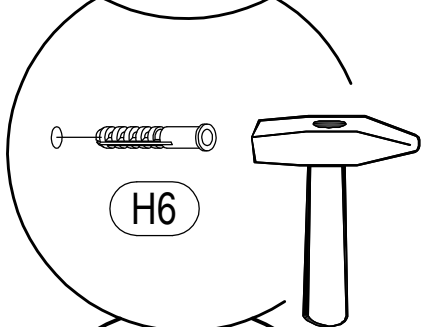
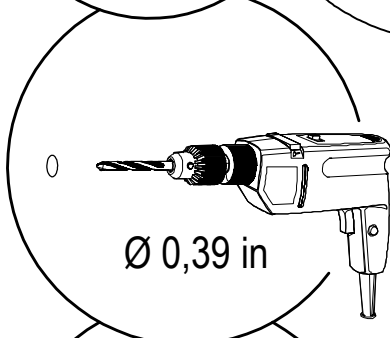
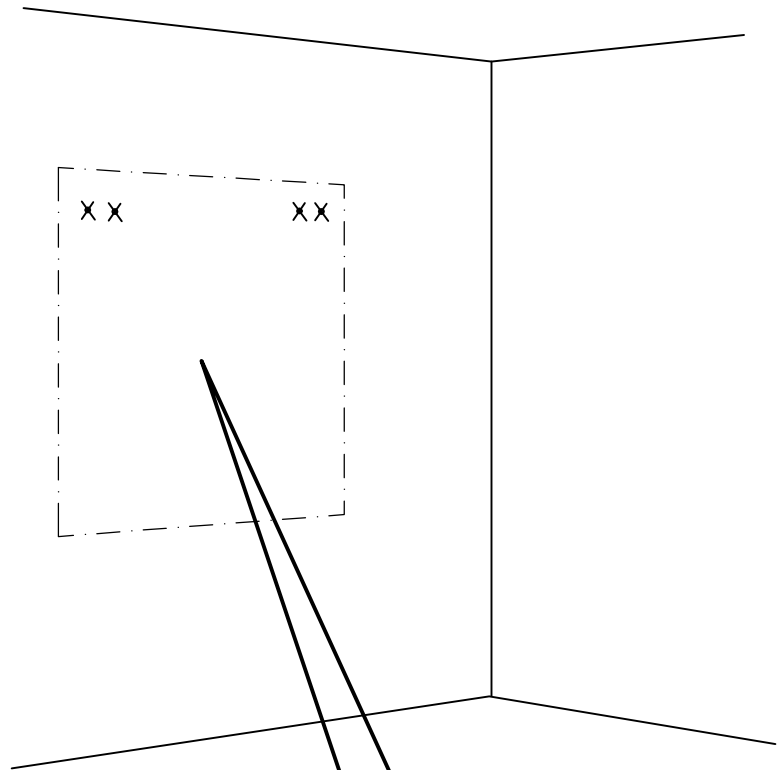
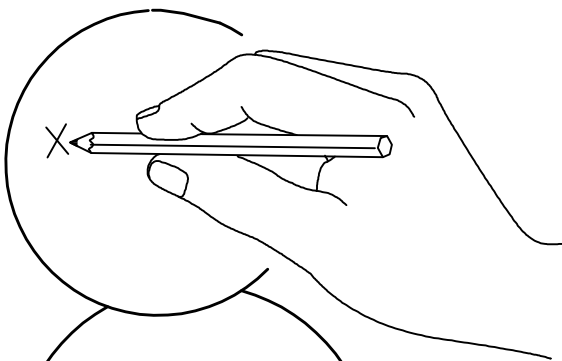
D



D

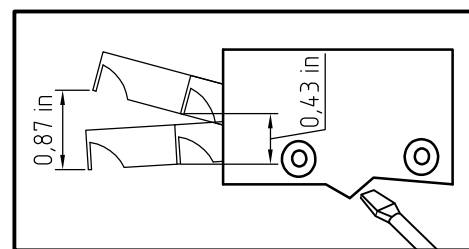
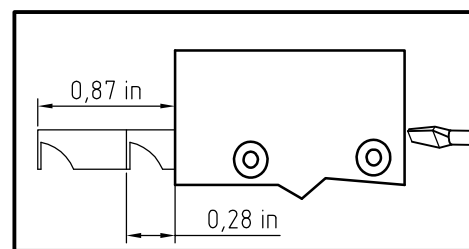
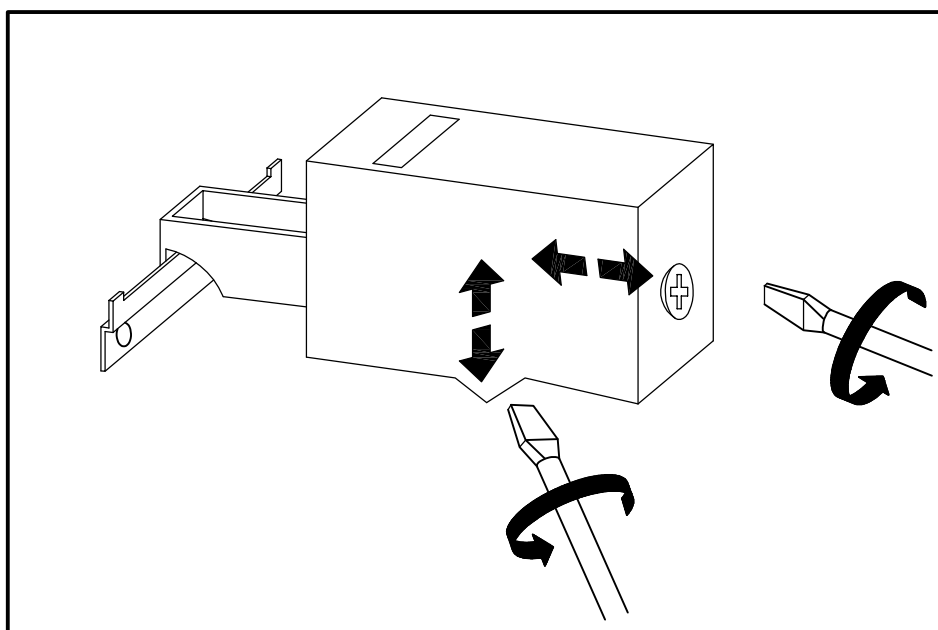
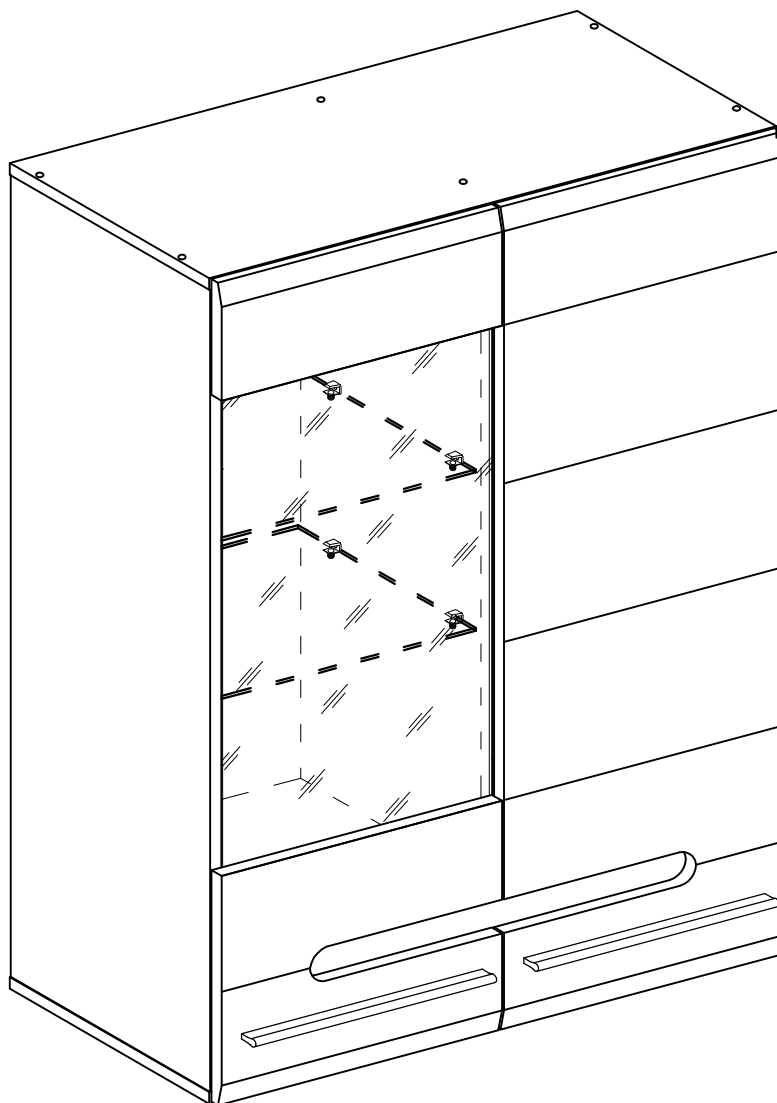
 (E21) 0,24*2,36 in x4	 (H6) 0,39*1,97 in x4	 (O4) x2
---	--	---

53

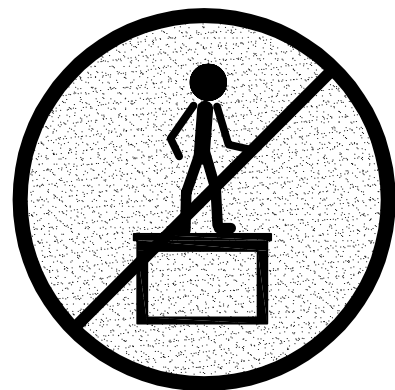
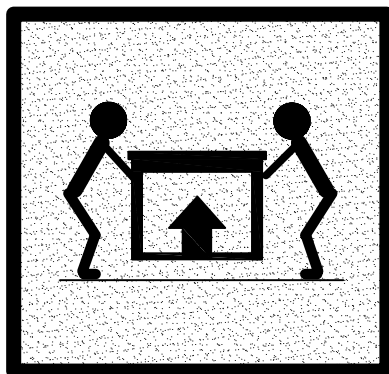
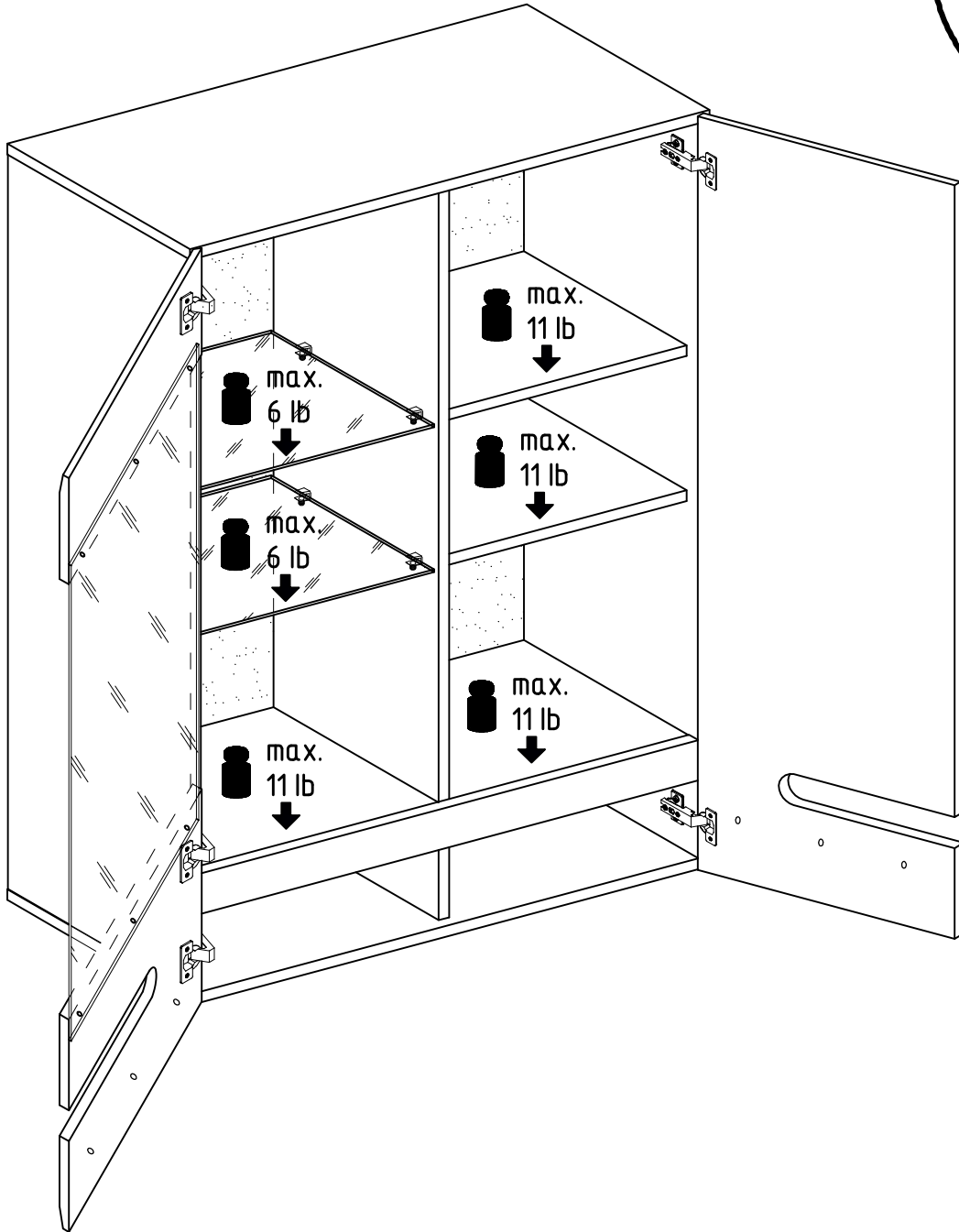


D

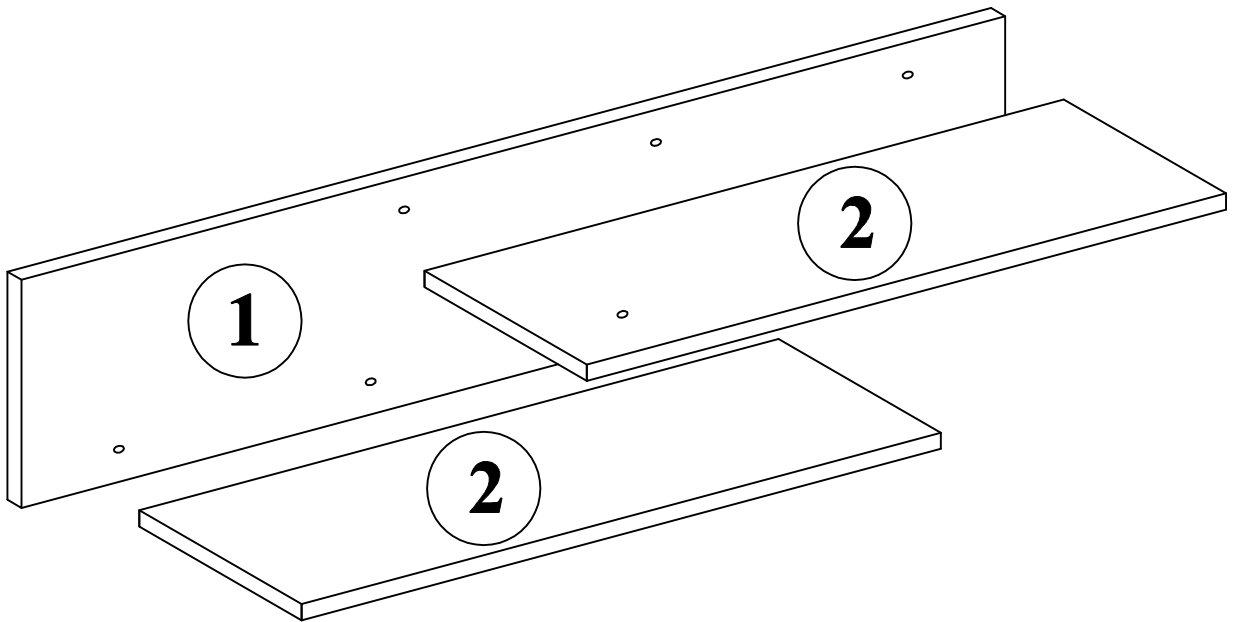
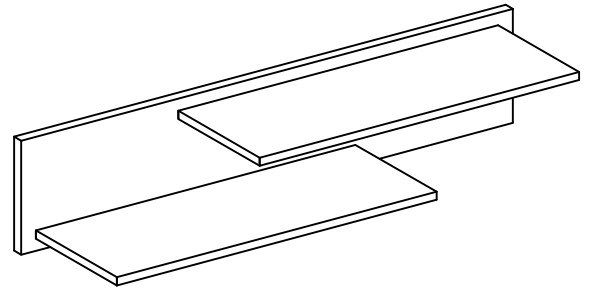
54



D


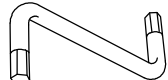


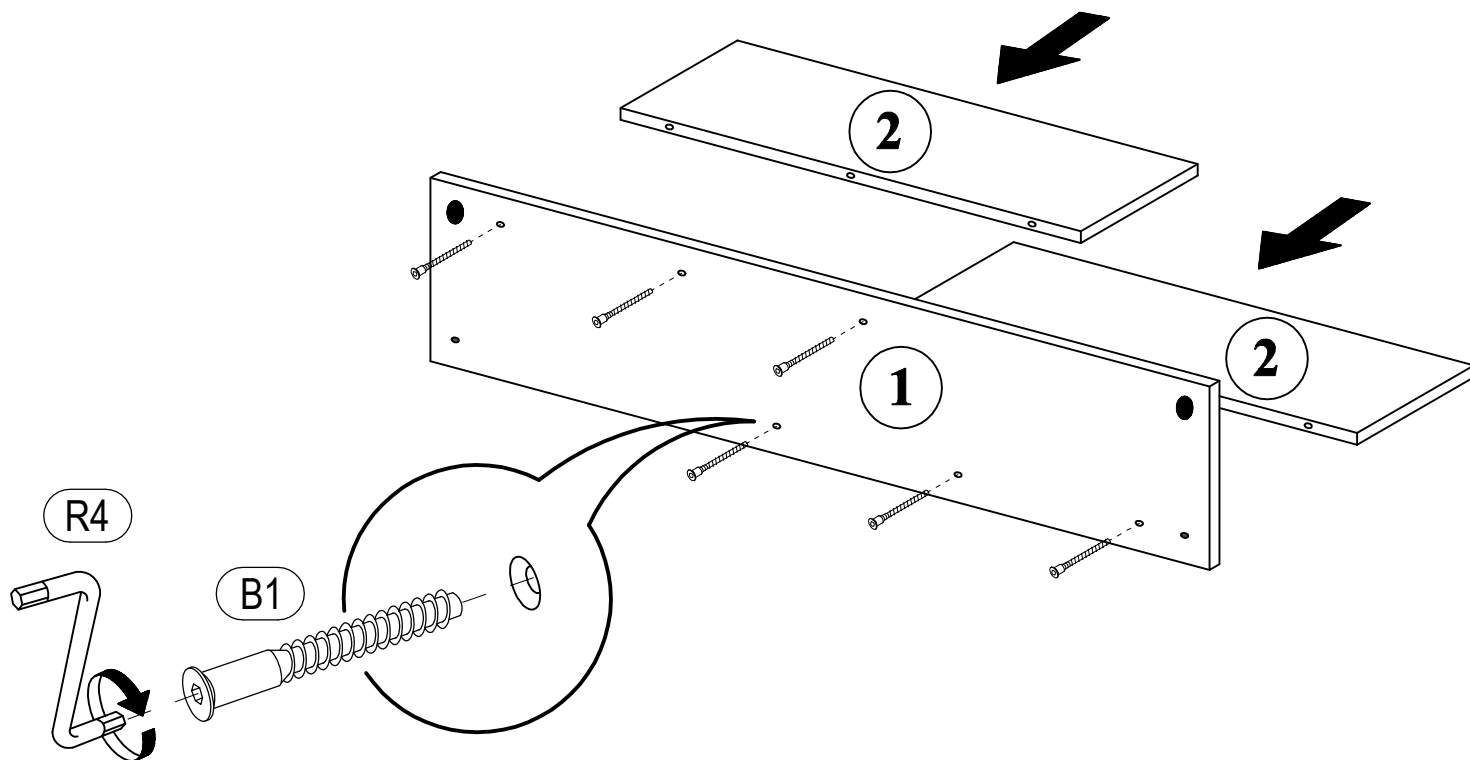
E



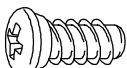
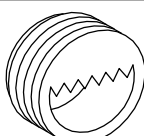
55

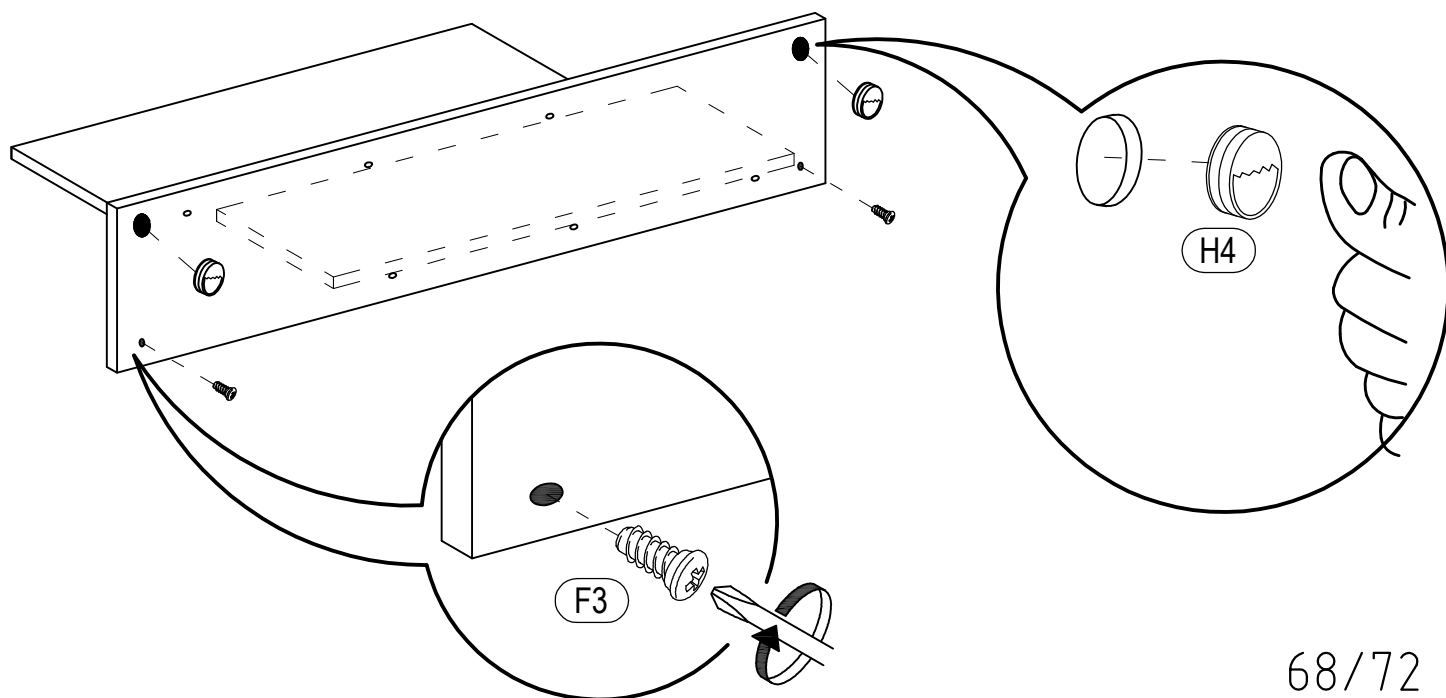
E

 B1 0,25*1,97 in x6	 R4 N°4 x1
--	---



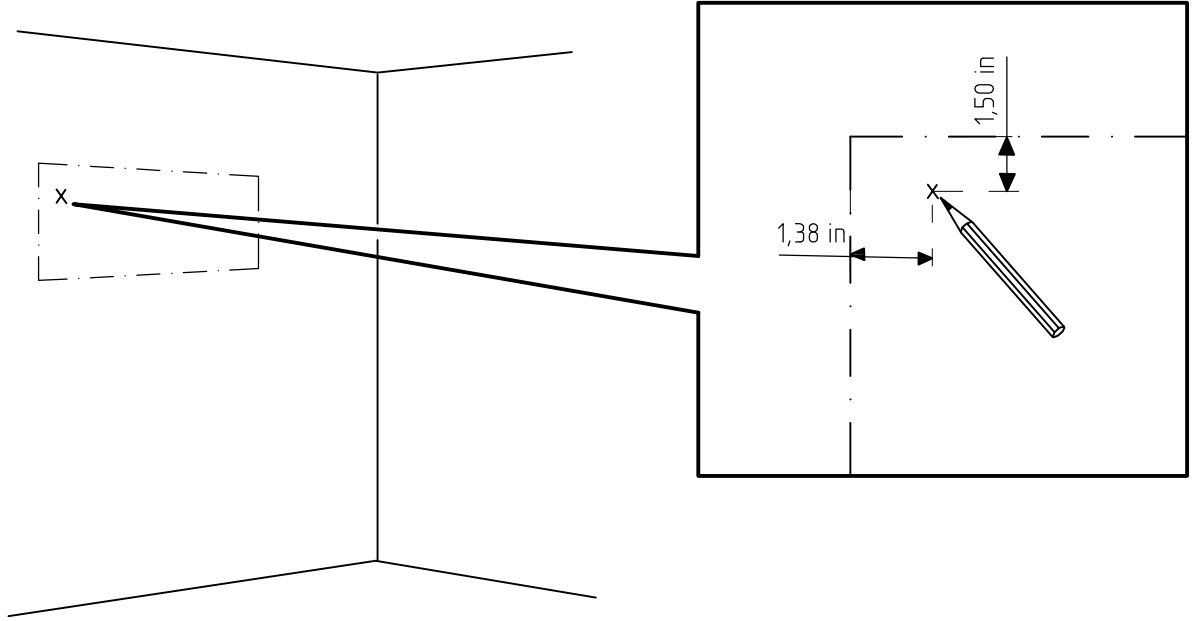
56

 F3 0,25*0,51 in x2	 H4 x2
--	---

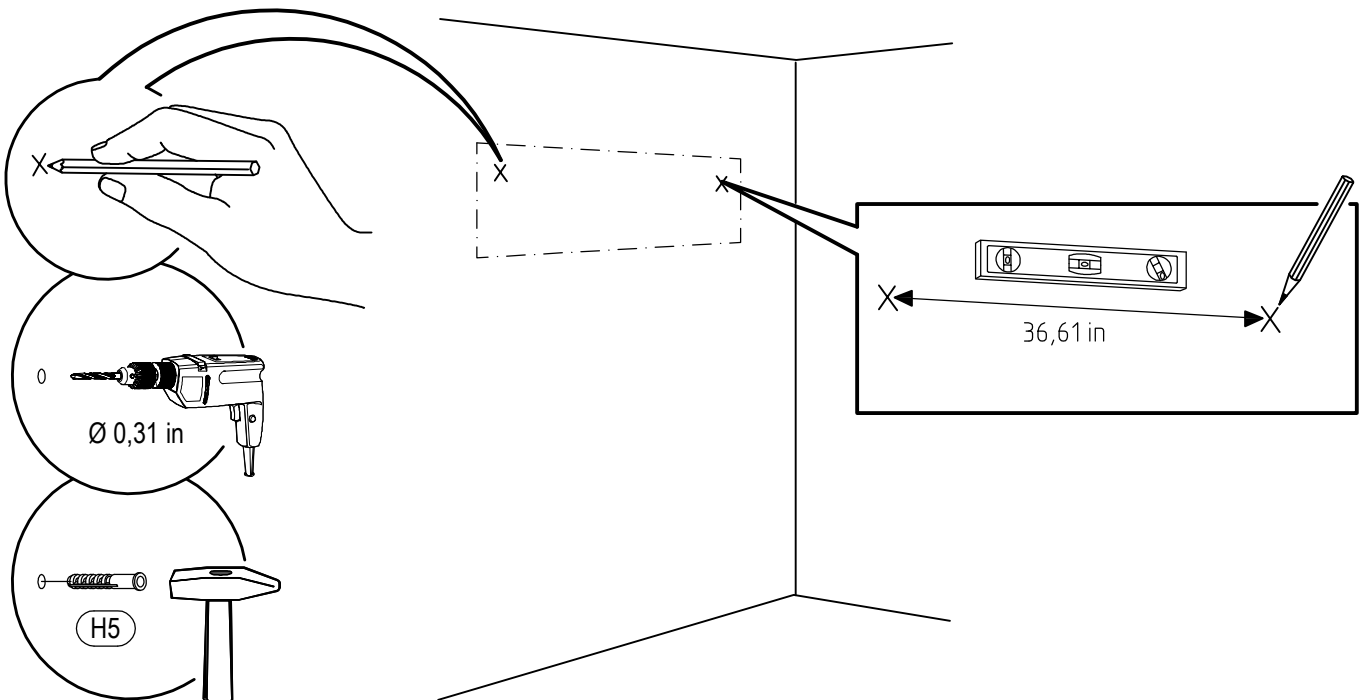
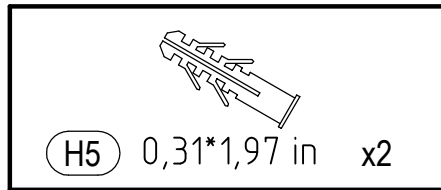


E

57

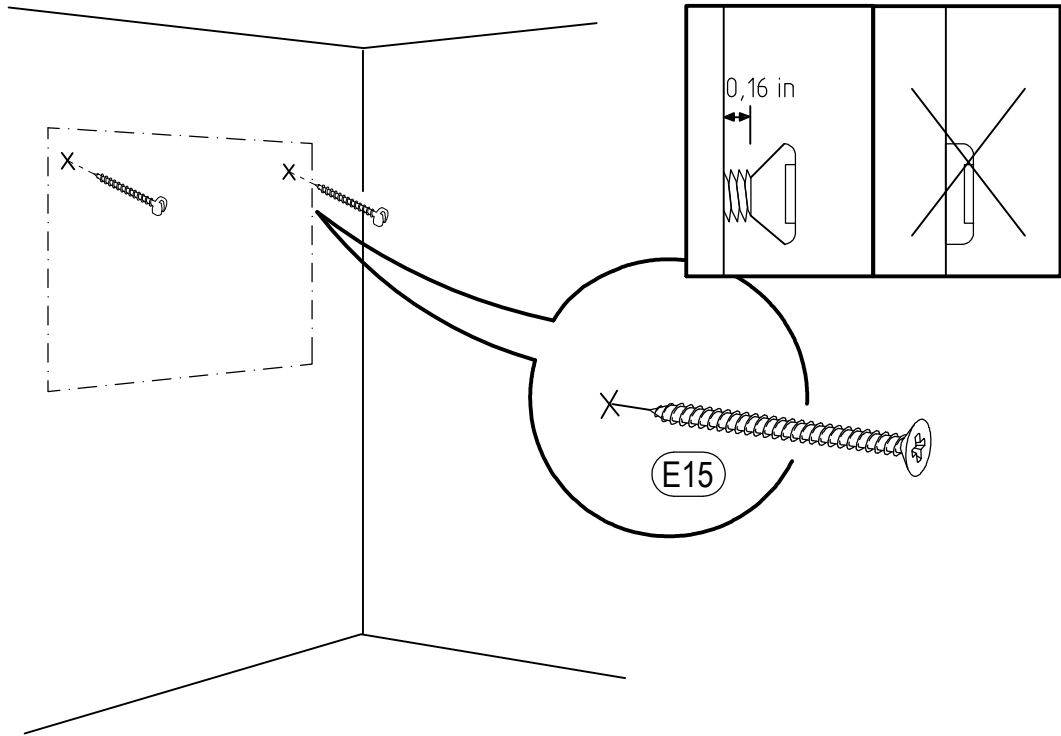
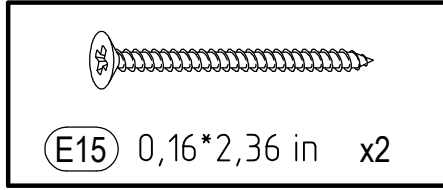


58

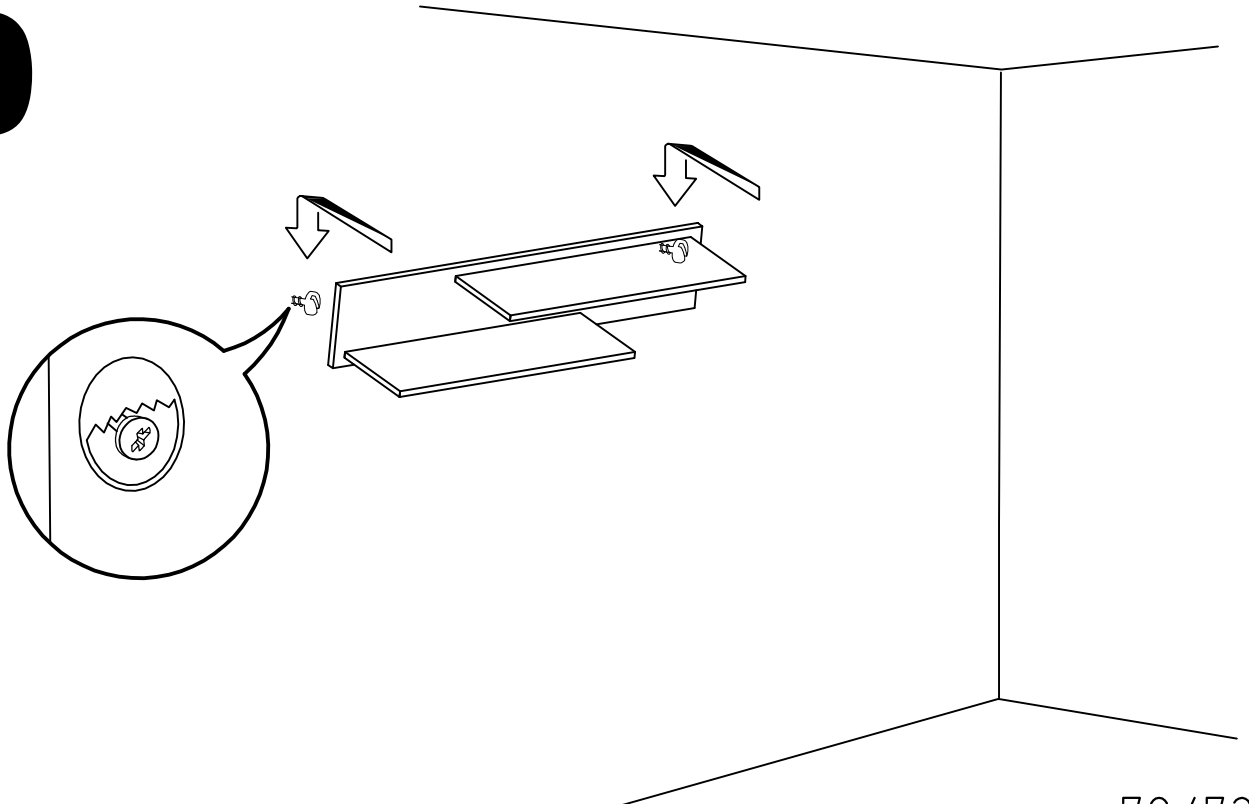


E

59



60



E

