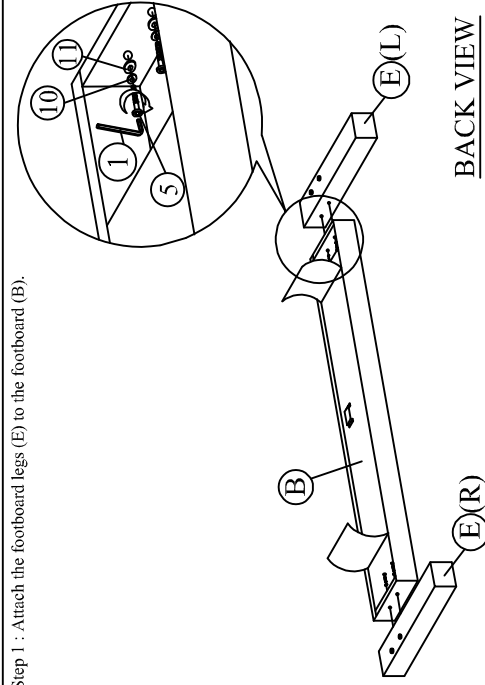


Assembly Instruction

Model : CF 9441-A (4'6")

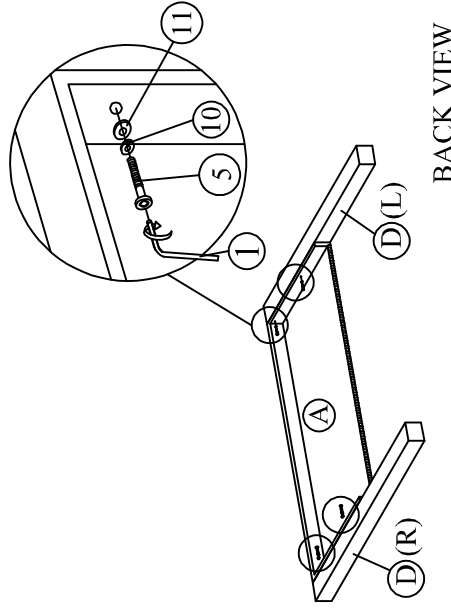
PART LIST		HARDWARE	
A	Headboard 1pc	1	Allen Key 65mm 1pc
B	Footboard 1pc	2	Allen Key 70mm 1pc
C	Side Rail C1 C2 4pcs	3	JCBB M8 x 20 8pcs
D	Headboard Legs D(L) D(R) 2pcs	4	JCBC M6 x 30 8pcs
E	Footboard Legs E(L) E(R) 2pcs	5	JCBC M6 x 50 8pcs
F	Side Rail Legs 285 x 80 x 90mm 2pcs	6	JCBC M6 x 60 3pcs
G	Center Rail 870mm 1pc	7	CSK Screw 16mm 16pcs
H	Center Rail 960mm 1pc	8	CSK Screw 32mm 36pcs
I	12 Slot 1477mm 2pcs	9	CSK Screw 50mm 8pcs
J	Support Legs 30 x 30 x 305mm 3pcs	10	Spring Washers 8pcs
K	Footboard Front Panel 1pc	11	Flat Washers 16pcs
L	Footboard Back Panel 1pc	12	CSK Screw 25mm 1pc
M	Footboard Bottom Panel 1pc	13	Roller 4pcs
N	Drawer Side Panel (L) (R) 2pcs	14	Power Nail 6/8 24pcs
O	Bottom Panel Leg Support Wedge 2pcs		
P	Bottom Panel Small Support Wood 2pcs		

Step 1 : Attach the footboard legs (E) to the footboard (B).



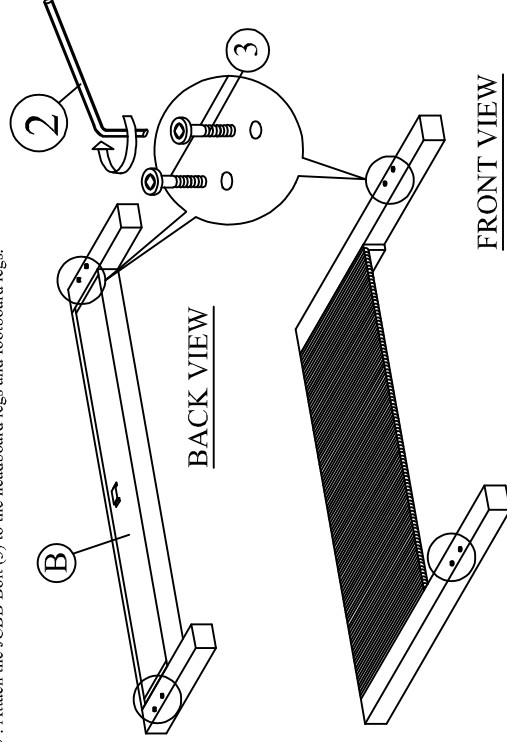
BACK VIEW

Step 2 : Attach the headboard legs (D) to the headboard (A).



BACK VIEW

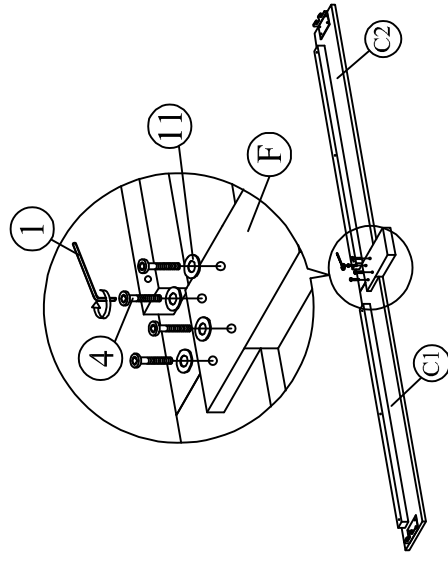
Step 3 : Attach the JCBB Bolt (3) to the headboard legs and footboard legs.



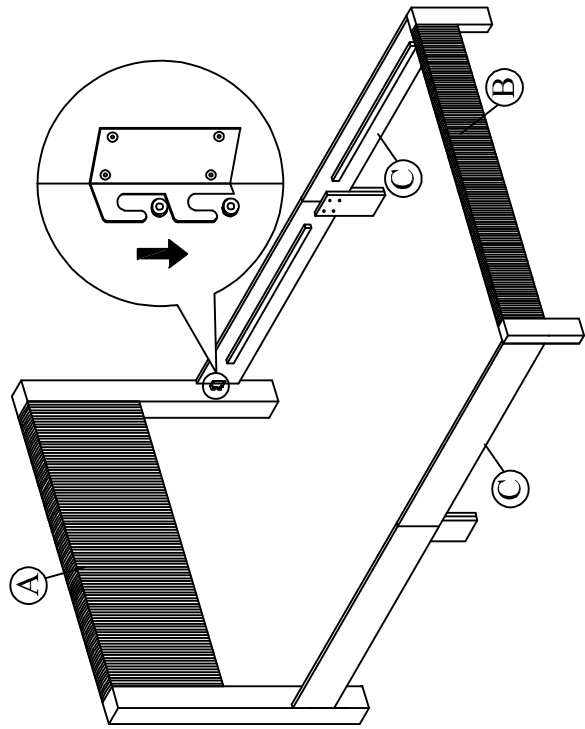
BACK VIEW

FRONT VIEW

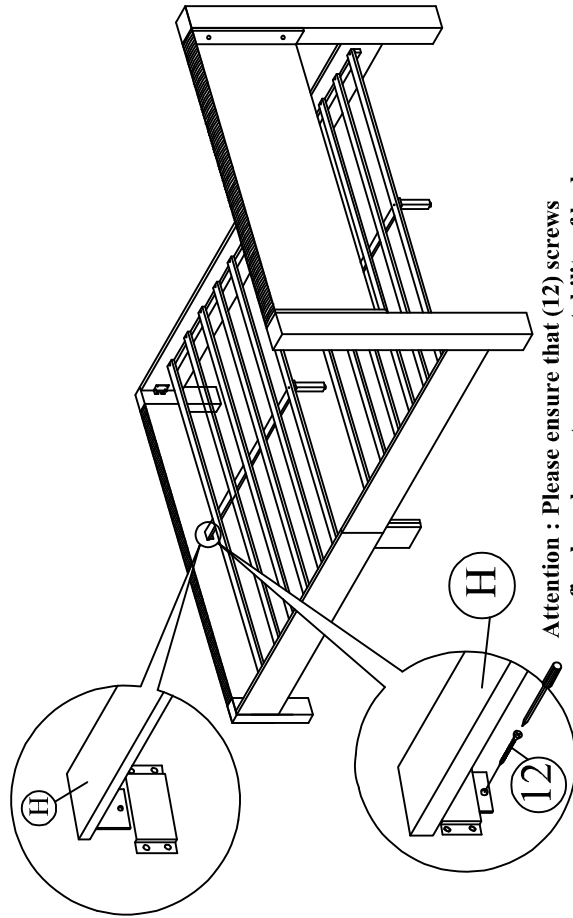
Step 4 : Attach the side rail leg (F) to the side rail (C).



Step 5 : Attach side rail (C) to headboard (A) and footboard (B) by pushing the bracket down to fit it.

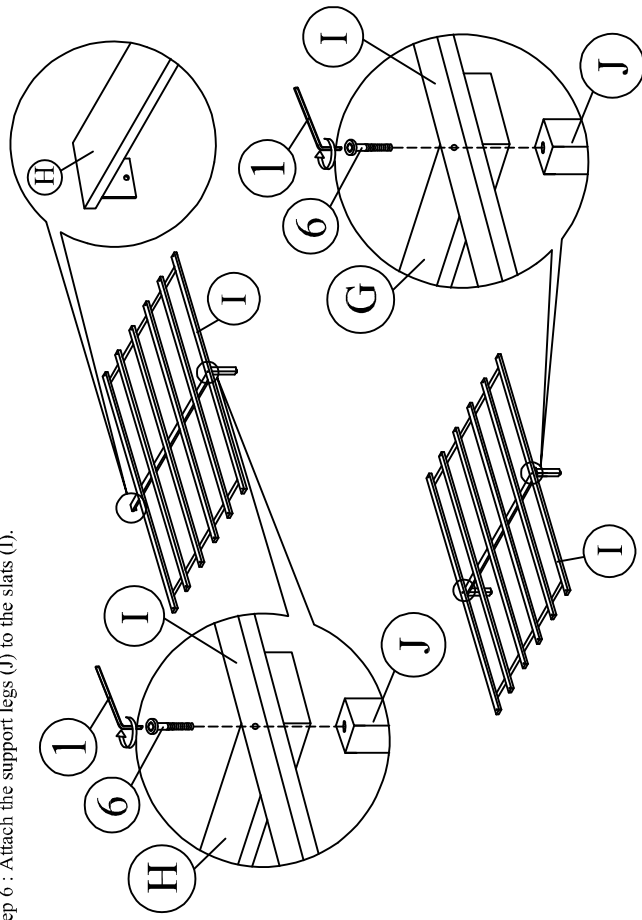


Step 7 : Slide the center rail (H) to the footboard (B). Tighten screws (12) using screw driver (not included) to the footboard (B).

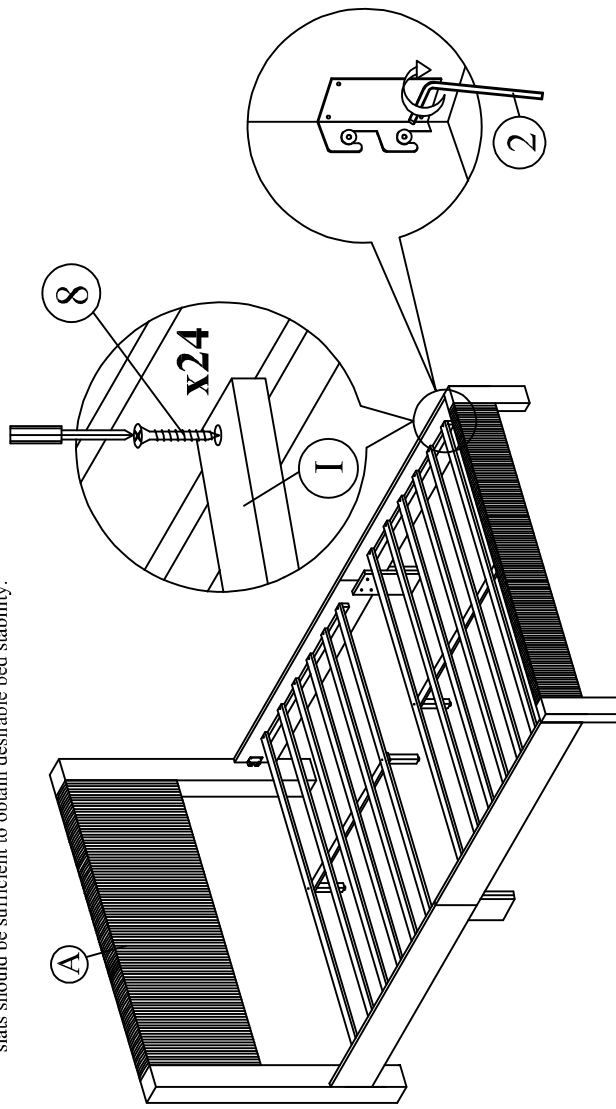


Attention : Please ensure that (12) screws are fixed as shown to ensure stability of bed.

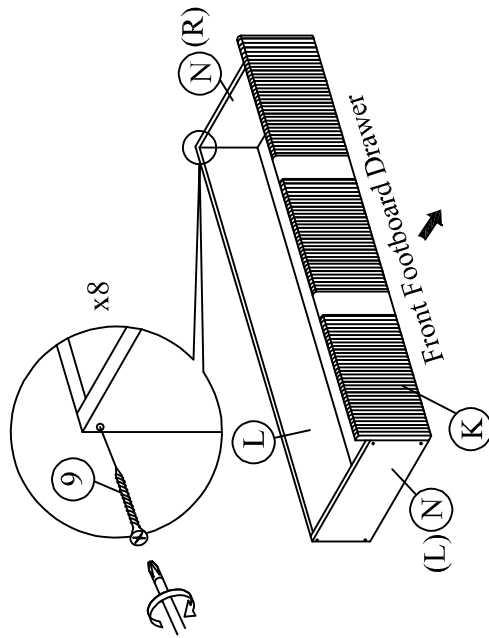
Step 6 : Attach the support legs (J) to the slats (I).



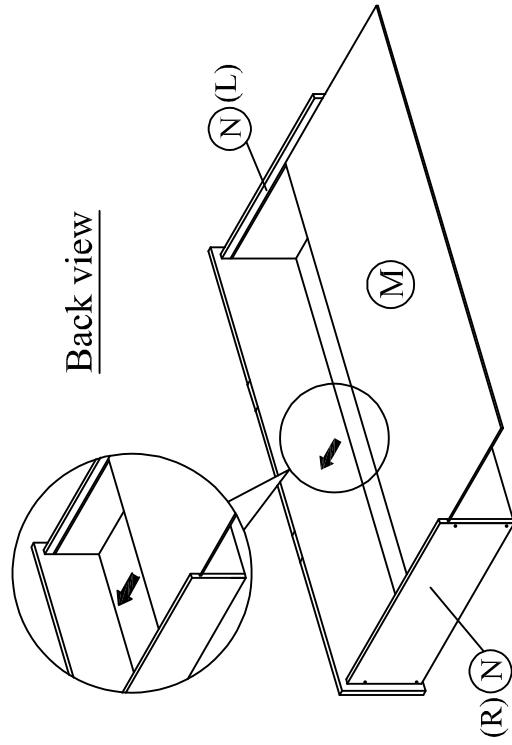
Step 8 : Tighten the 4 Corner with Allen Key (2). Install the bed slats to side rail. Tighten the slats with CSK screw. The distance of the slats should be sufficient to obtain desirable bed stability.



Step 9 : Attach the Drawer Side Panel (N) to the Footboard Front Panel (K) and Footboard Back Panel (L).

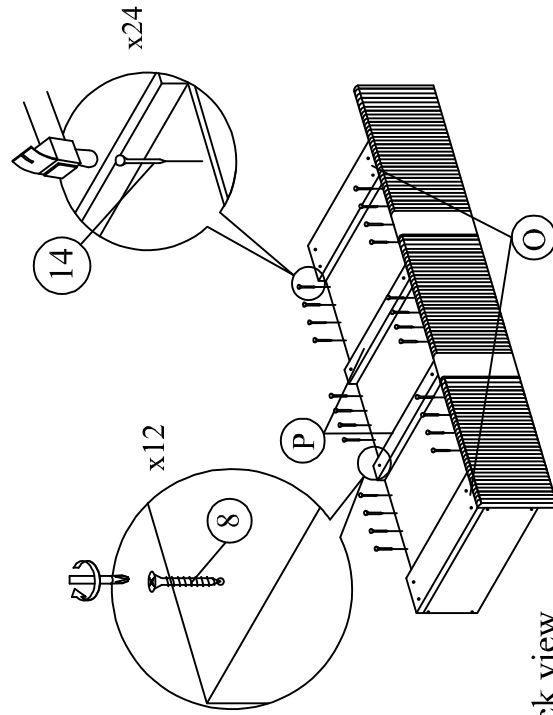


Step 10 : Attach the Footboard Bottom Panel (M) to the Drawer Side Panel (N).



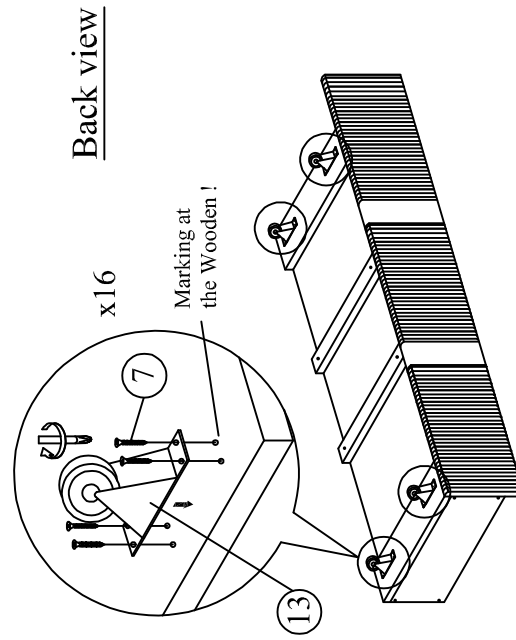
Back view

Step 11 : Attach the Bottom Panel Big Support Wood (O) and Bottom Panel Small Support Wood (P) to the Footboard Bottom Panel (M) . Attach the bottom panel with Nail (14) using the hammer (not included).



Back view

Step 12 : Attach the Roller (13) to the Bottom Panel Big Support Wood (O).



Back view

Step 13 : Attach Drawer to Footboard (B).

