

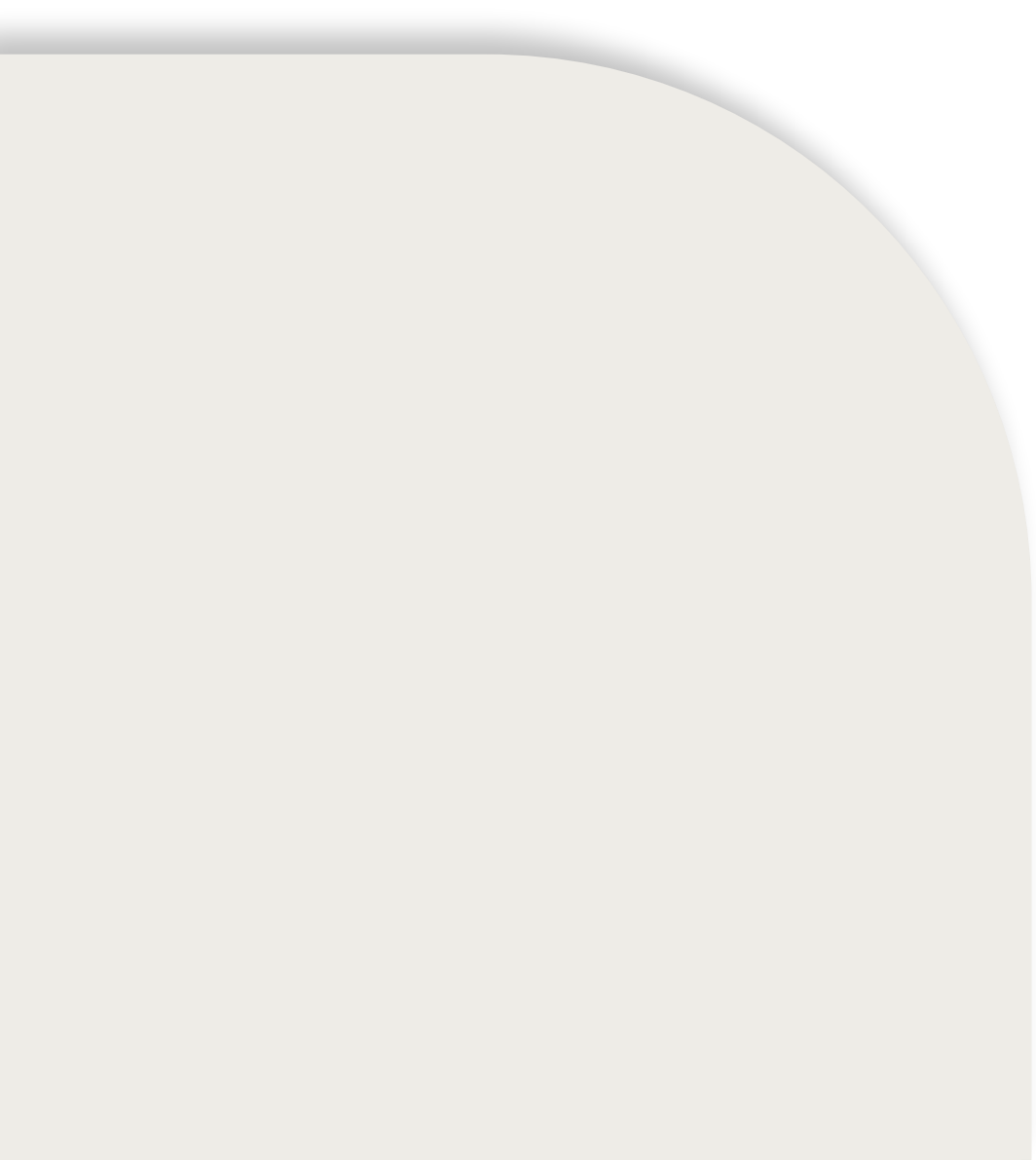
Installation Manual

# 9' PAGODA UMBRELLA

WITH LED LIGHT

Vibrant Chic Collection





# Attention

## PREPARATION

Before assembly, please read and understand this manual.

The product is shipped in one box, and it is essential to ensure that all parts are present before assembly. Compare the details with the package content list and hardware content list.

If any part is missing or damaged, do not attempt to assemble the product.

The estimated assembly time is about 10 minutes.

### WARNING

When assembling the product, it is important to tighten each bolt firmly and correctly.

Do not fully tighten all bolts and screws until assembly is completed.

Please note that certain parts may possess sharp edges, and as a precautionary measure, we strongly advise wearing protective gloves when assembling.

Children under the age of 16 should not be involved in the assembly, dismantling or disassembly of products.

Always keep children under close supervision by a competent adult while using or around this product, and keep them out of the assembly area during assembly.

Additionally, never use this product as support and do not shake, lean, or climb on the product anytime.

The product must be placed in a base or a ground sleeve that is firmly anchored.

Do not allow the product to fall or knock against anything.

## CARE AND MAINTENANCE

Before using, clean the product entirely with a soft, dry towel.

When not in use, wipe away dirt. Wash with a mild solution of soap and water, rinse and dry completely.

Do not use strong detergents or abrasive cleaners.

Store the product in a good, dry location away from sunlight.



# Attention

## CAUTION

Please retain these instructions for future reference.

The paint on this product may peel off if it is fitted or misused.

Use and carry this item with care and apply touch-up paint (not included) when necessary.

This patio umbrella is designed and made for personal, non-commercial use and should not be used as a toy or a tool.

Do not place the product near any heat source.

---

## WARRANTY

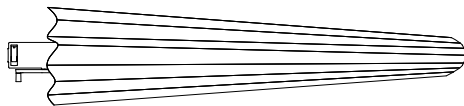
This warranty is extended to the original purchaser. It applies to defects in materials and quality of your patio umbrella, provided it is maintained with care and used only for personal and residential purposes.

The frame is warranted to be free from defects in material or quality for one year.

The fabric is insured for one year against defects in material or quality.



# Component List



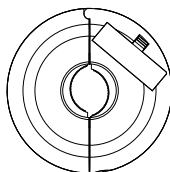
A x1



B x1



C x1



D x1



# Assembly Steps

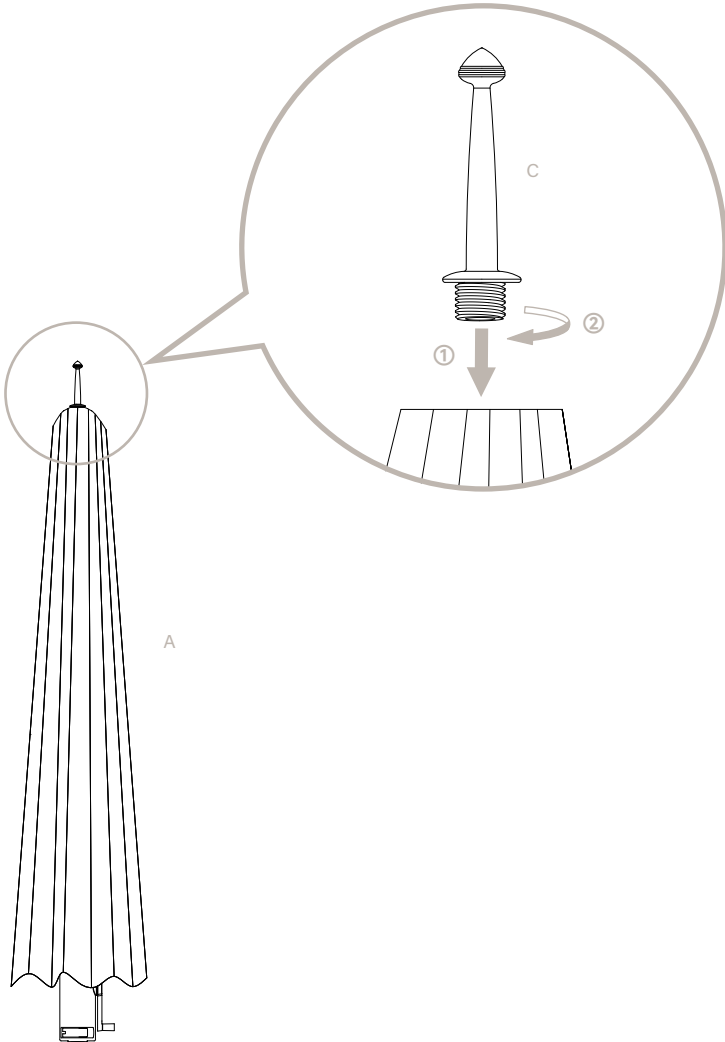
1.1



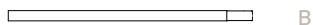
A



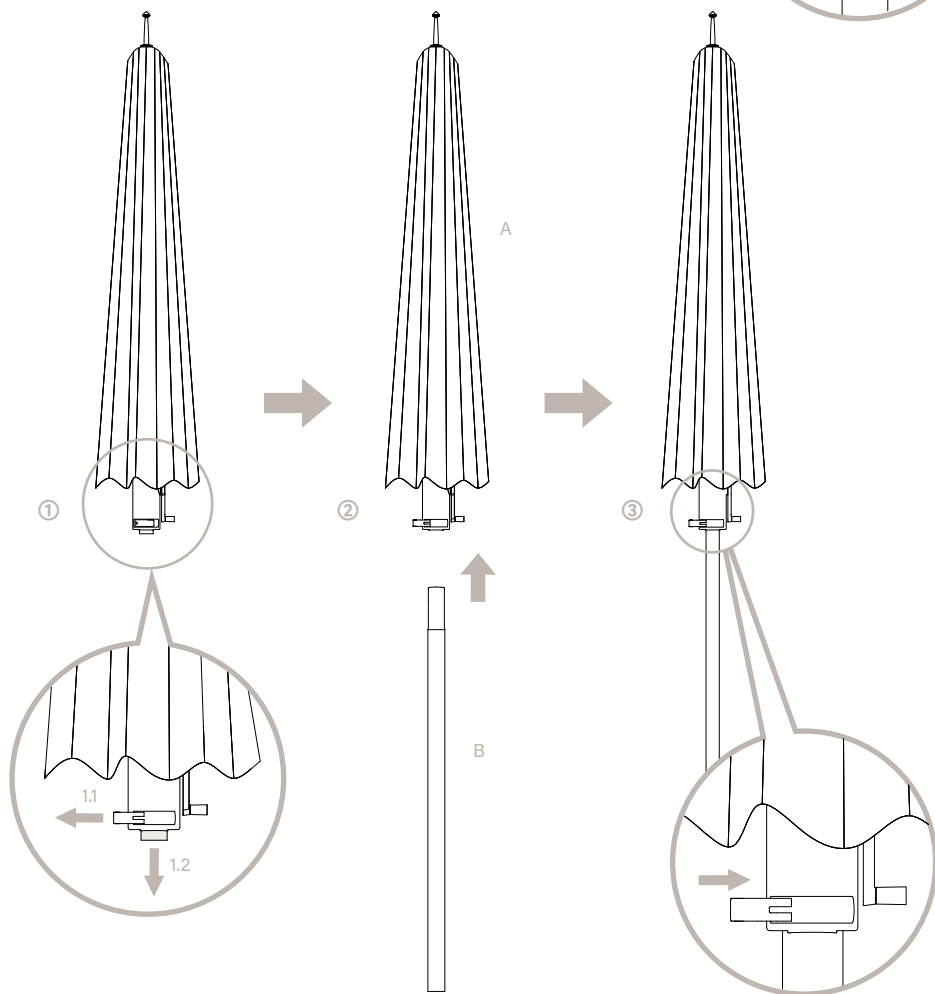
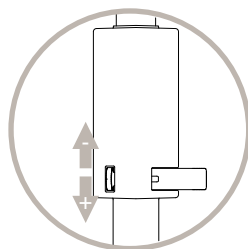
C



## 1.2



The degree of tightness can be varied by means of adjusting the gear. During the process the spanner must remain open.



1. Open the spanner and remove the protective pole.

2. Set the gear in the appropriate direction.

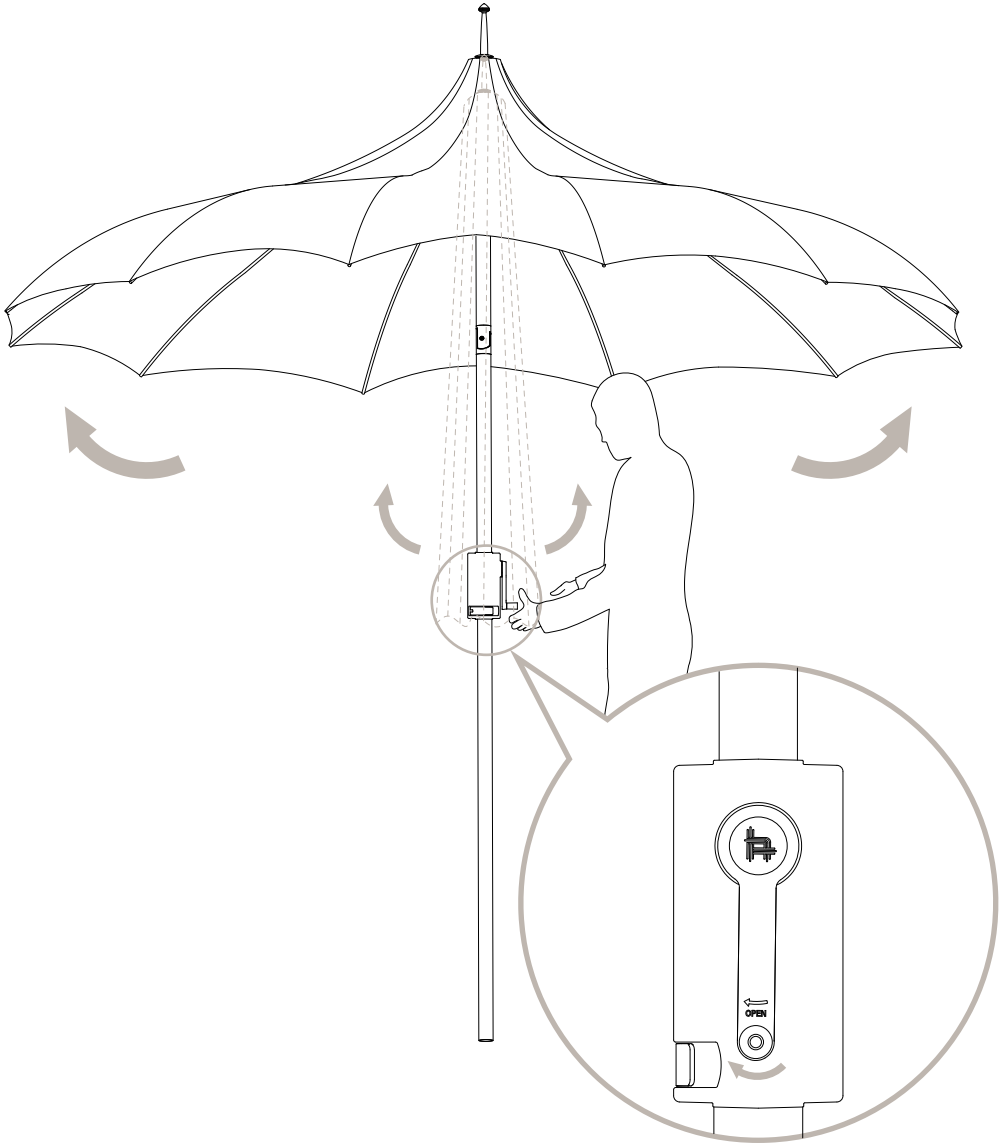
3. Tighten up the spanner.



# Umbrella Use & Storage

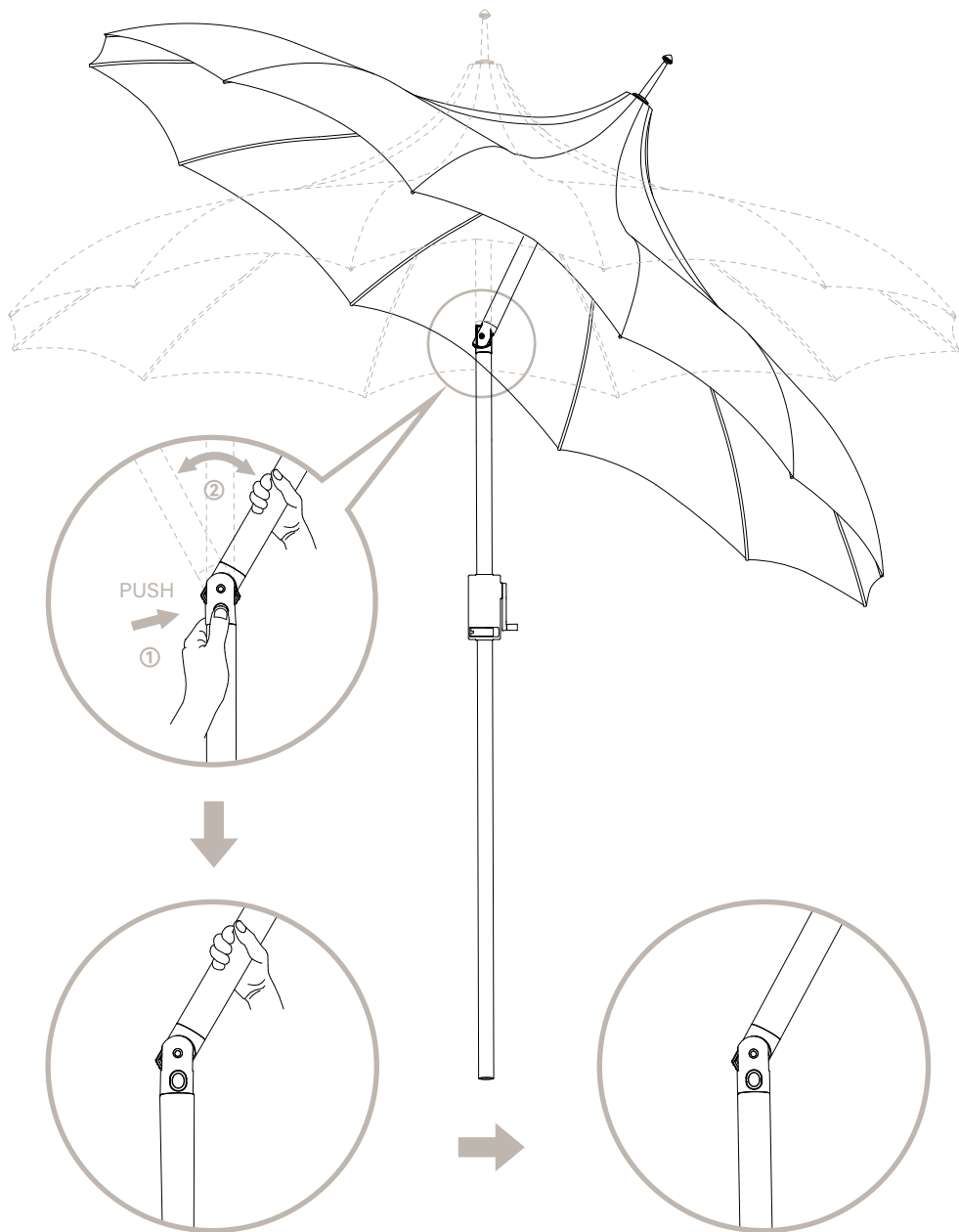
## 2.1

Turn clockwise to open the umbrella.



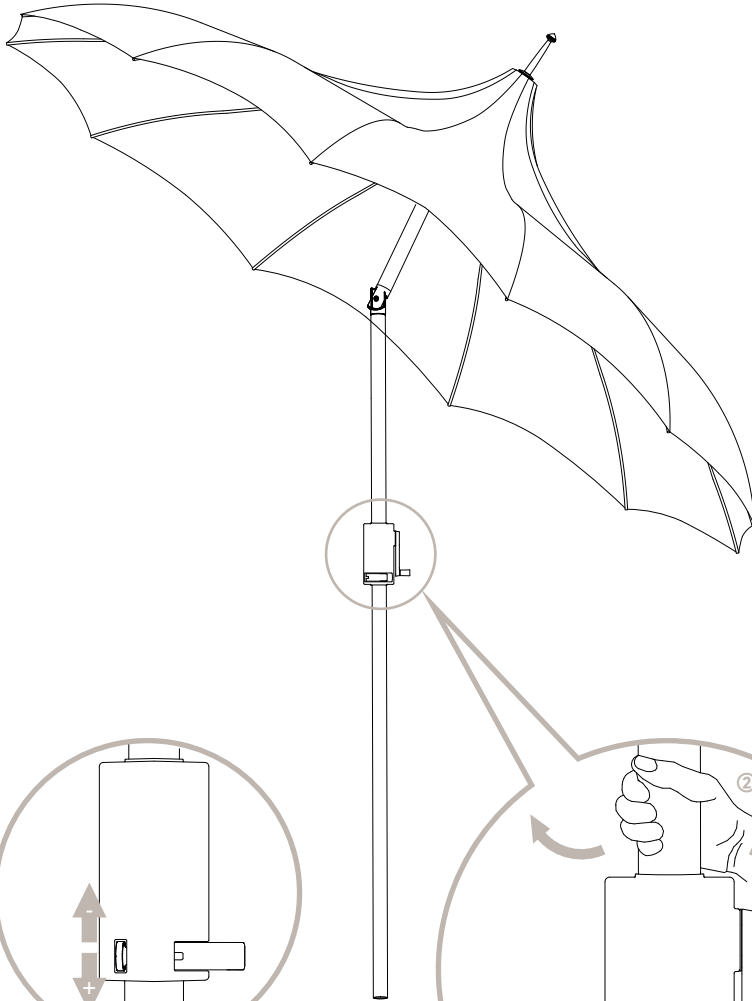
**2.2**

Hold the pole with one hand, press the button with the other hand to tilt the canopy.



**2.3**

1. Open the spanner.
2. Set the gear in the appropriate direction.
3. Tighten up the spanner.

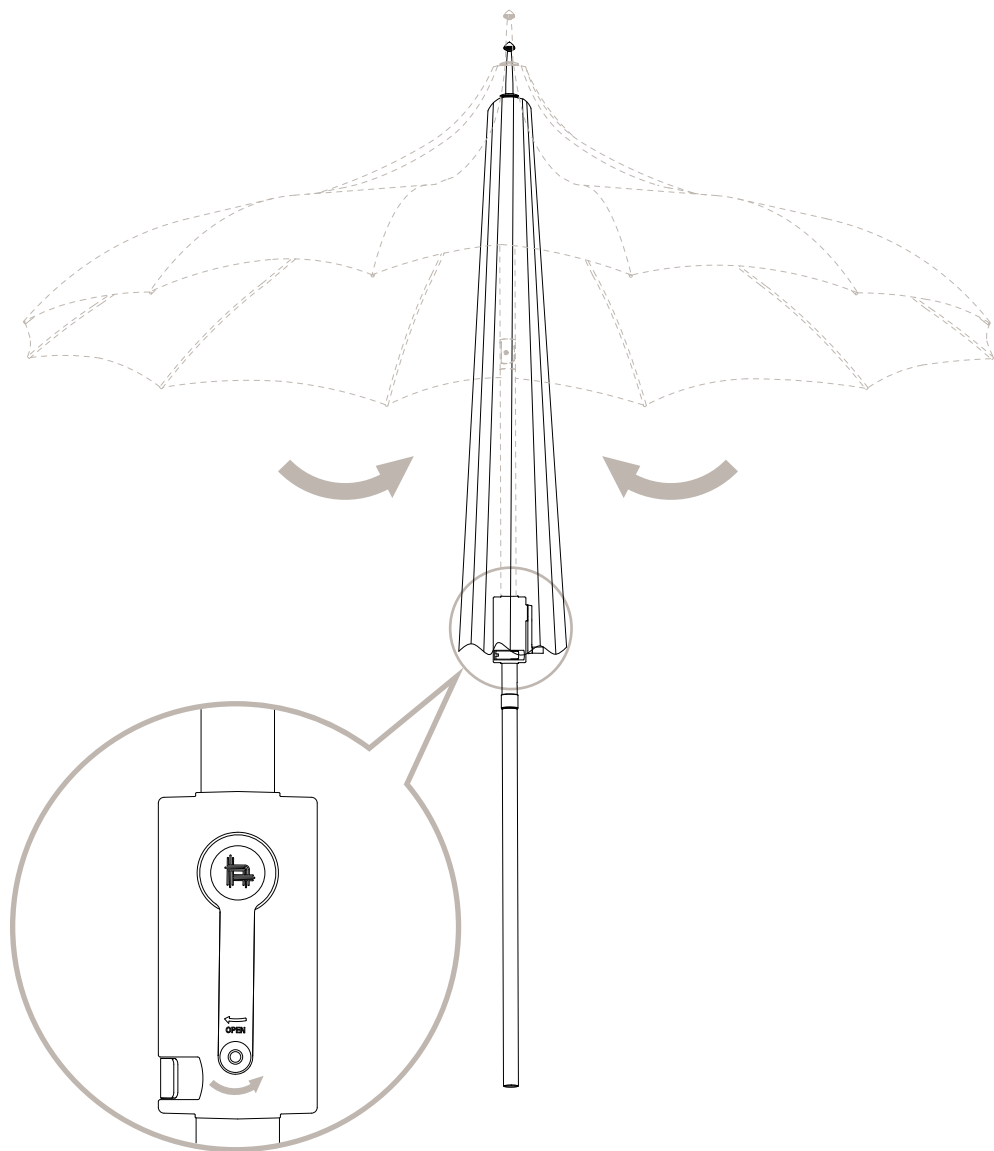


The degree of tightness can be varied by means of adjusting the gear. During the process the spanner must remain open.

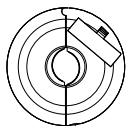


**2.4**

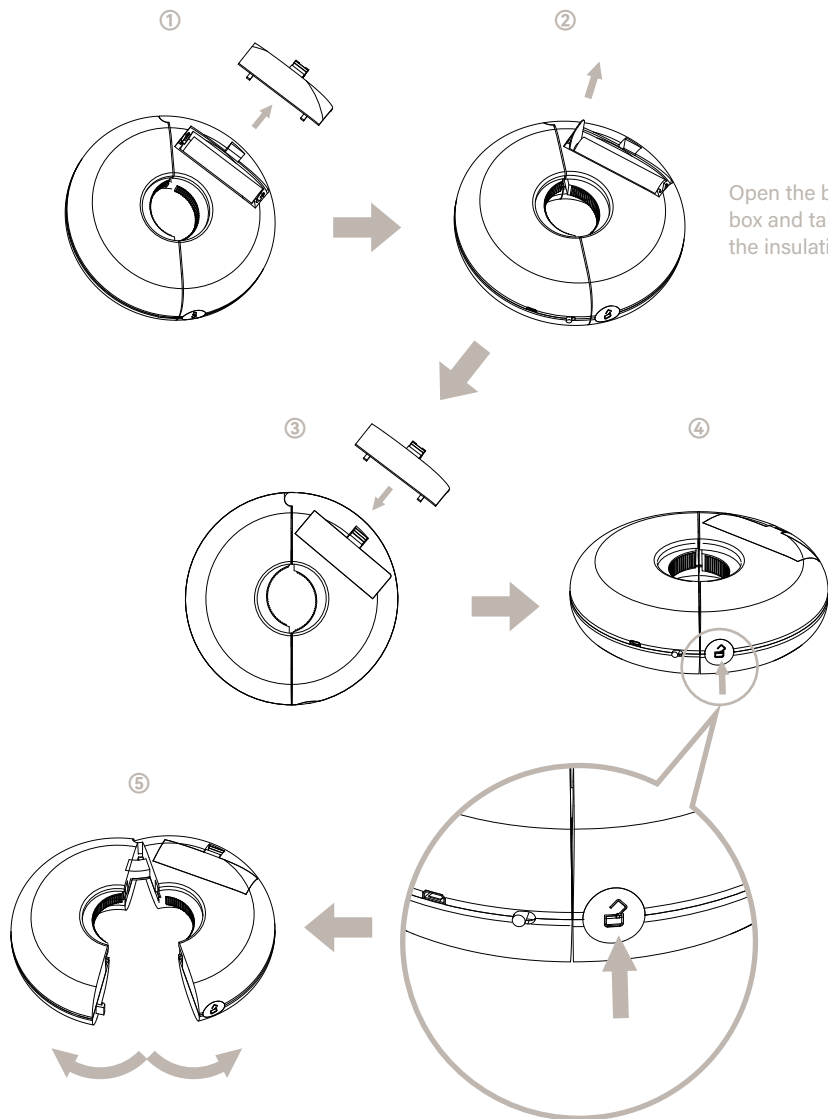
Turn anticlockwise to close the umbrella.



# LED Light Assembly

**3.1**

D

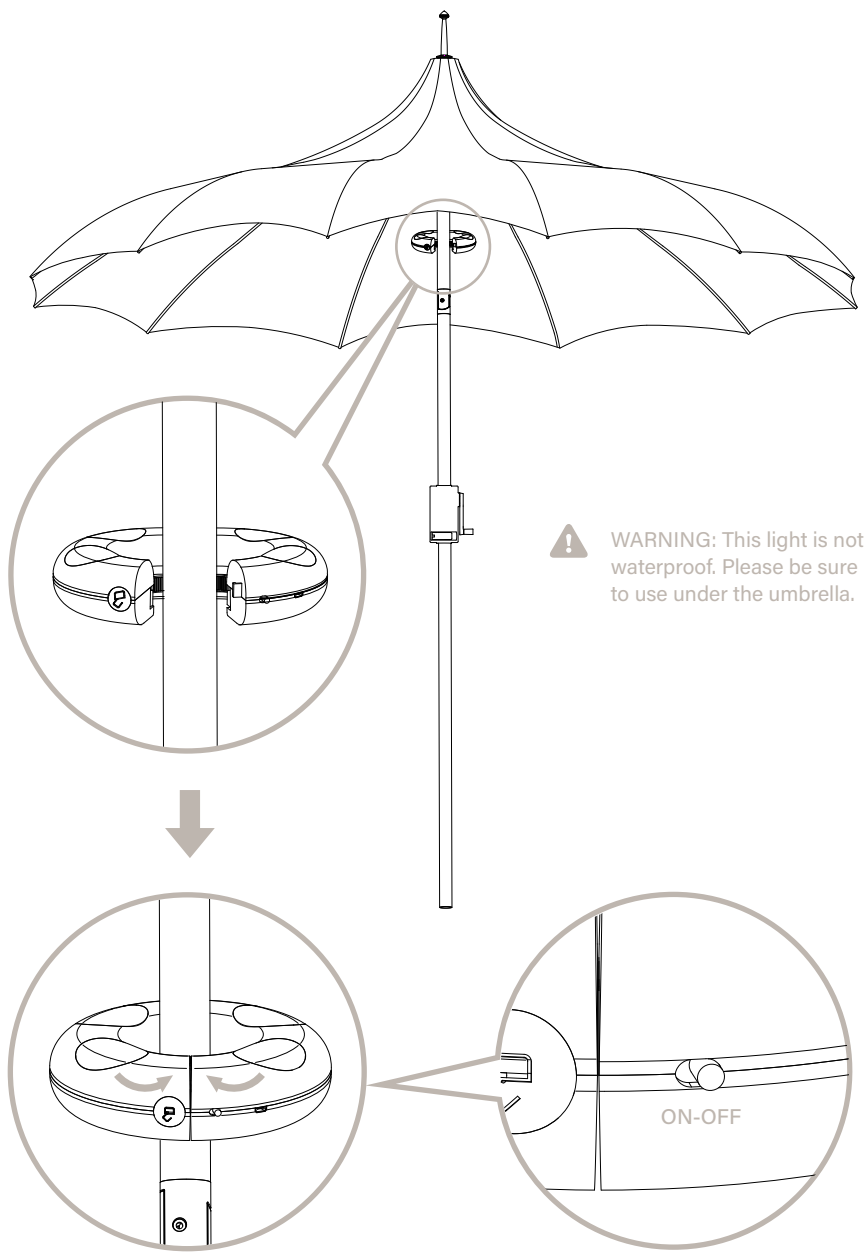


Open the battery box and take off the insulating strip.



### 3.2

Push the switch from off to on, the light will go on.



**!** WARNING: This light is not waterproof. Please be sure to use under the umbrella.



# LED Light Charging

## 4.1

The battery can be charged by USB (not included).  
During charging, the indicator is red.

