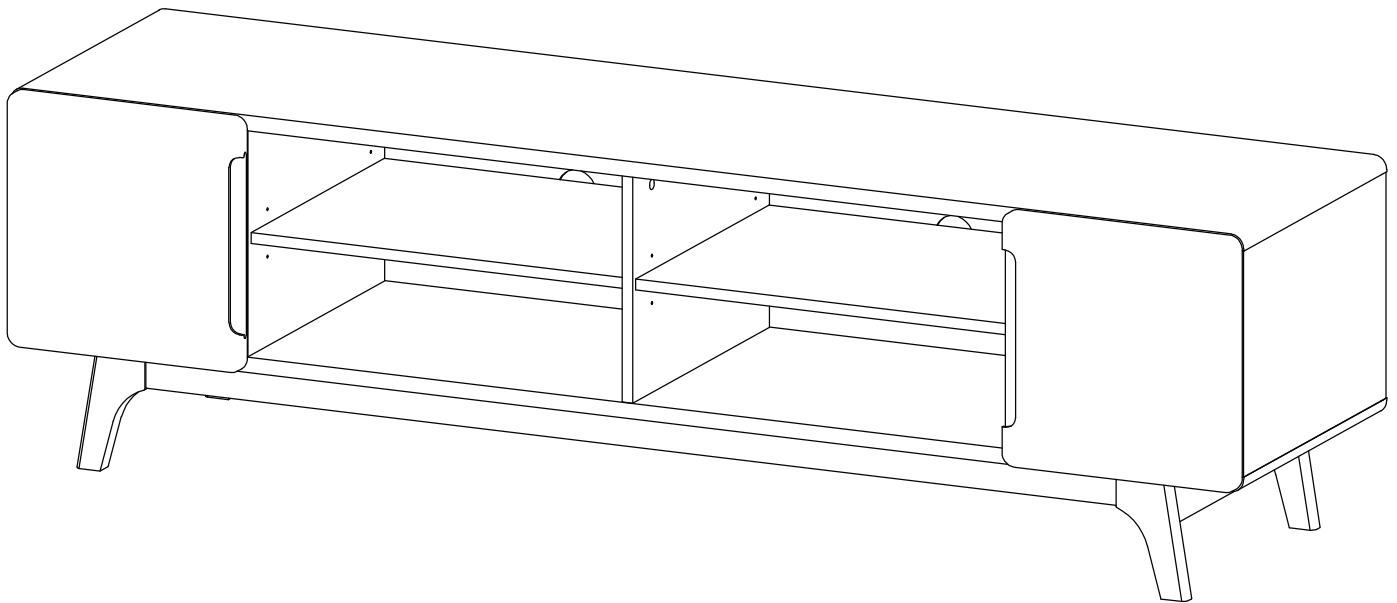


## TV Stand

Before you start, here are some helpful advice:

1. We suggest you spend a short time reading through this leaflet and then follow the simple step-by-step instructions.
2. Owing to the size and weight of the TV Stand, we recommend that it is assembled by two adults, on a carpeted or padded area, in the room that it is intended for. Approximate assembly time: 60 minutes.
3. Please do not use any tools other than those provided or recommended in these instructions.
4. Please do not throw away any of the packaging or instructions until you have checked all the components and hardware and the furniture is fully assembled.
5. Assemble all components loosely until advised to tighten. Depending on use, it may be necessary to tighten the components from time to time, so please save the tools that have been provided.
6. Please keep all pieces out of reach of children.

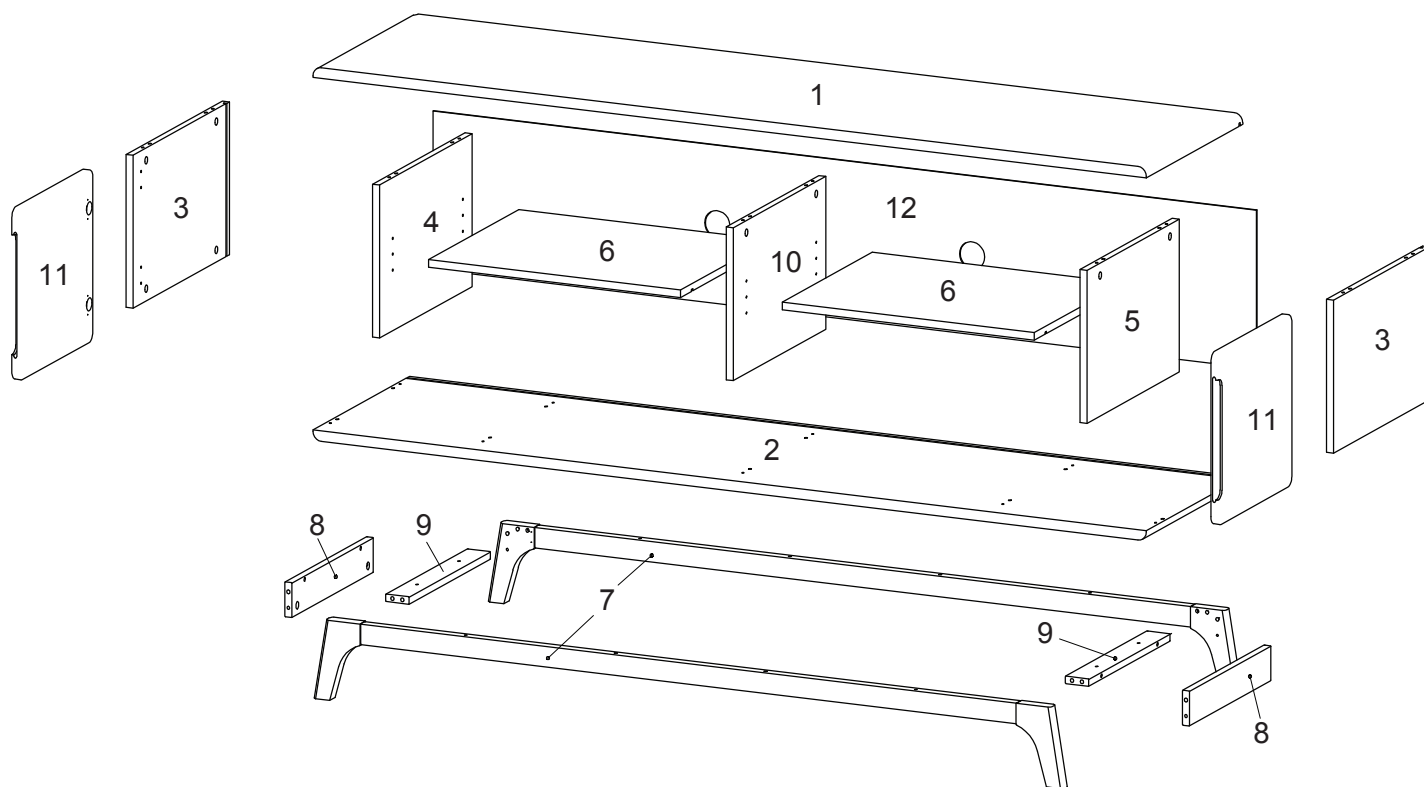


### Hardware :

<b>A</b>  x18 Ø 6 x 35 mm	<b>B</b>  x 18 Ø 15 mm	<b>C</b>  x 40 Ø 8 x 30 mm	<b>D</b>  x8 M 12 x 35 mm	<b>E</b>  x 10 M 12 x 45 mm
<b>F</b>  x 4 86 x 52 x 11 mm	<b>G</b>  x 8 M 6.5 x 10.5 mm	<b>H</b>  x 8 M 3.5 x 13 mm	<b>I</b>  x 8 Ø 5 x 15 mm	<b>J</b>  x 12 M 3.5 x 15.5 mm
<b>K</b>  x 12 9 x 14 x 10 mm	<b>L</b>  x 4 Ø 8 mm	<b>M</b>  x 4 25 x 25 x 2 mm	<b>N</b>  x 2 Ø 15 mm	<b>O</b>  x 1 1185 x 20 x 20 mm
<b>P</b>  x 1 Screwdriver (Not Include)				

## TV Stand

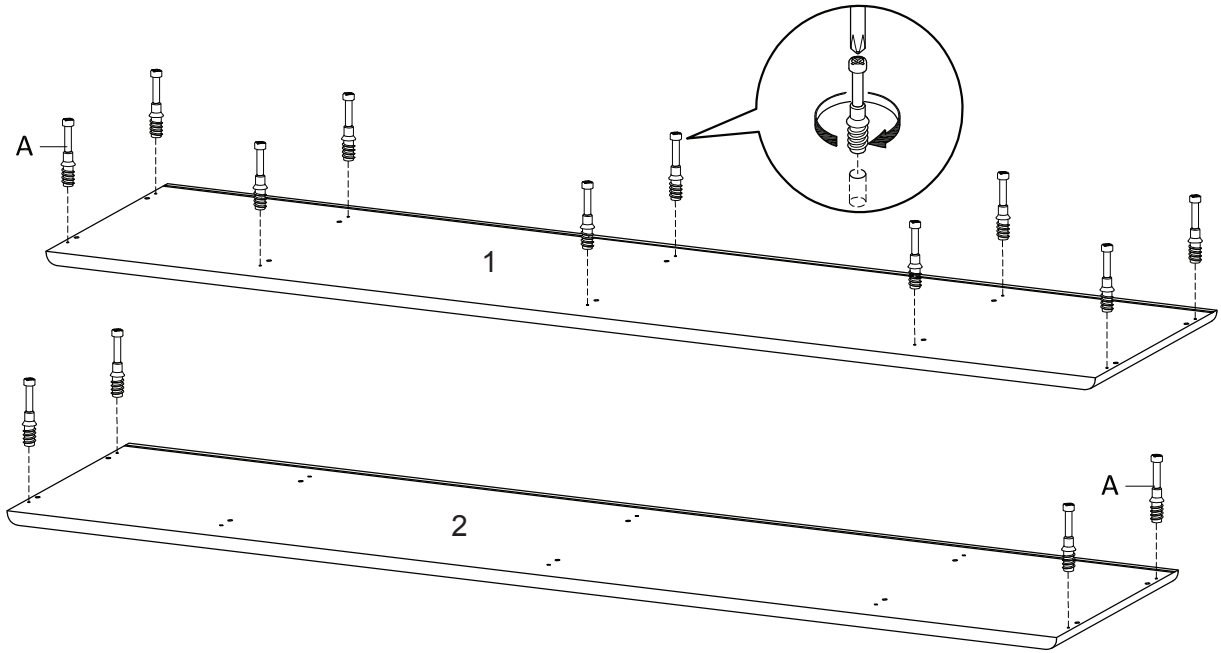
### Components:

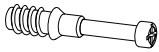



1	Top Board	x1	2	Bottom Board	x1	3	Side Board	x2	4	Centre Board Left	x1
5	Centre Board Right	x1	6	Adjustable Shelf	x2	7	Assembly Leg	x2	8	Support Board 2	x2
9	Support Board 3	x2	10	Centre Board	x1	11	Wooden Door	x2	12	Back Board	x1

# TV Stand

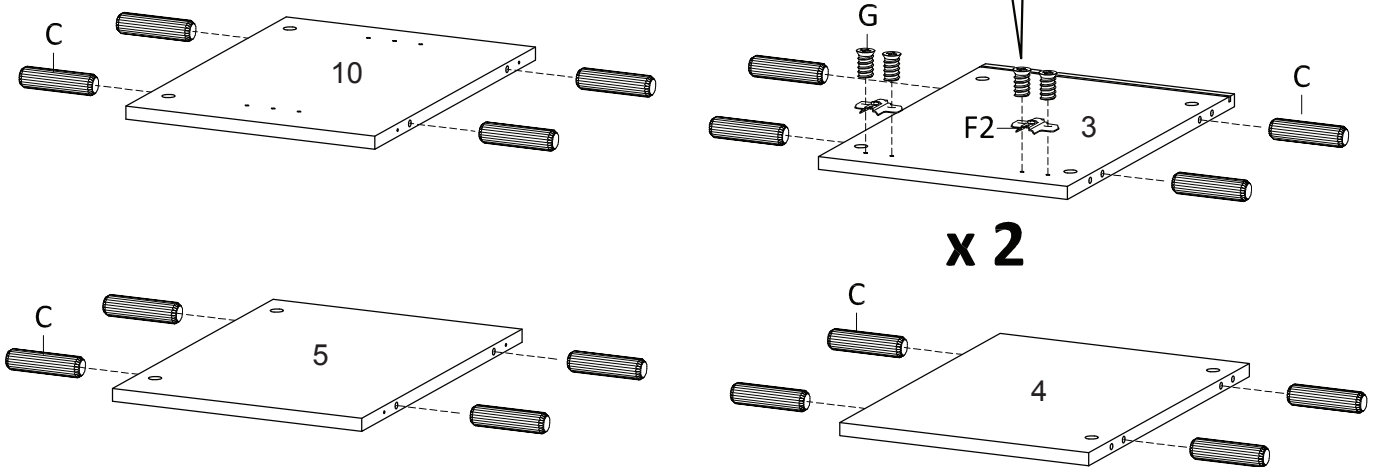
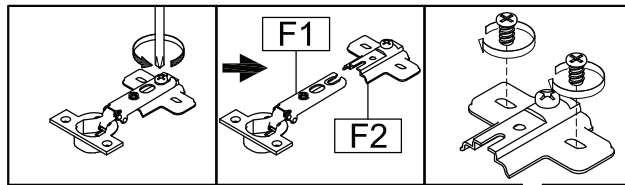
## STEP 1:

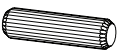





	
Ax14	Px1

Hardware required. Screwdriver not included

## STEP 2:

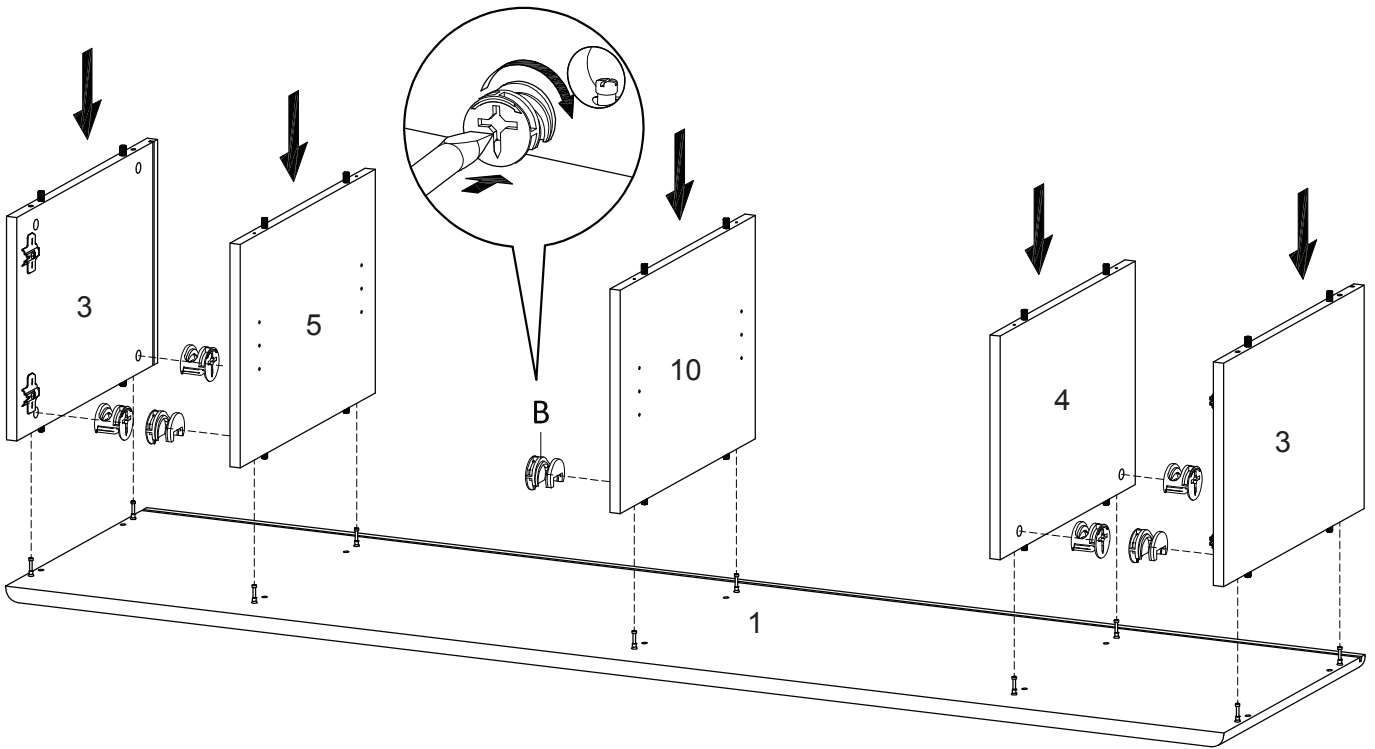




			
Cx20	Fx4	Gx8	Px1

Hardware required.  
Screwdriver not included

# TV Stand

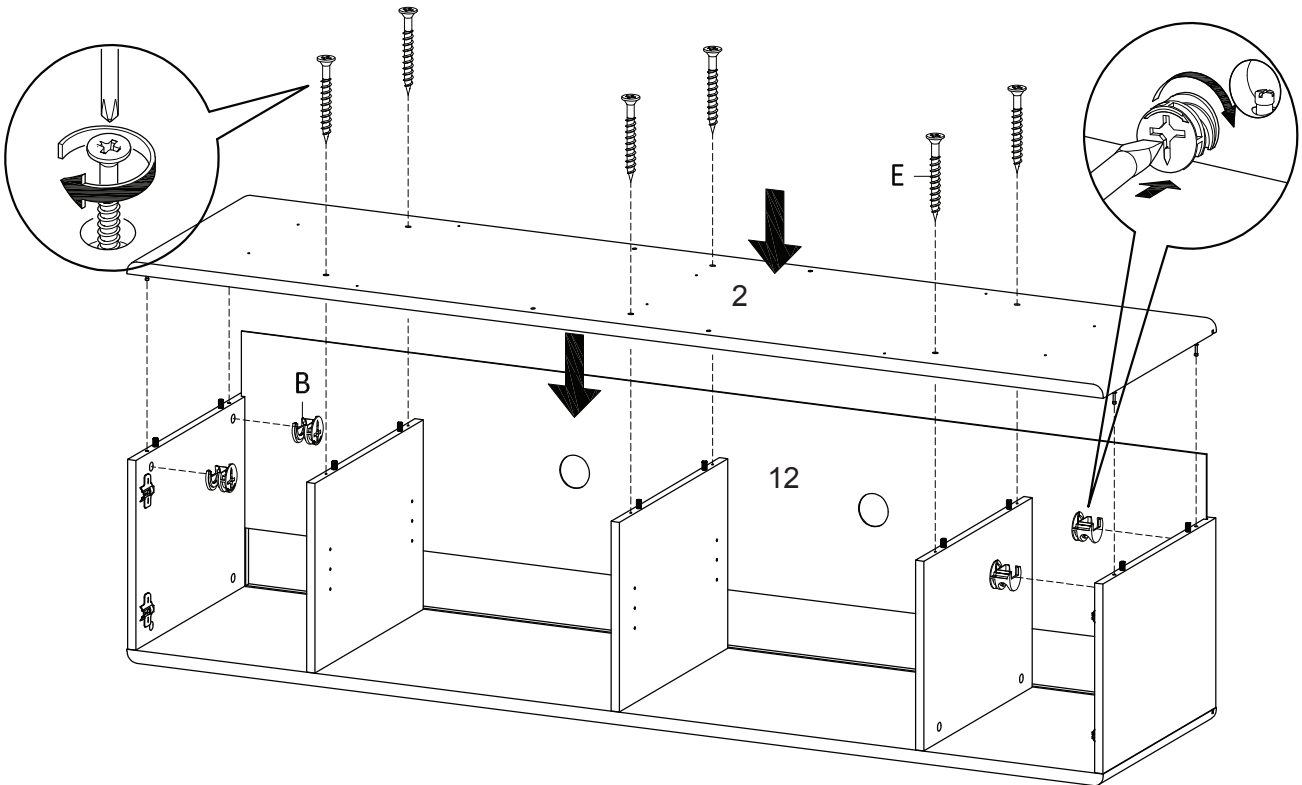
## STEP 3:


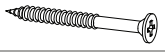



	
Bx10	Px1

Hardware required. Screwdriver not included

## STEP 4:

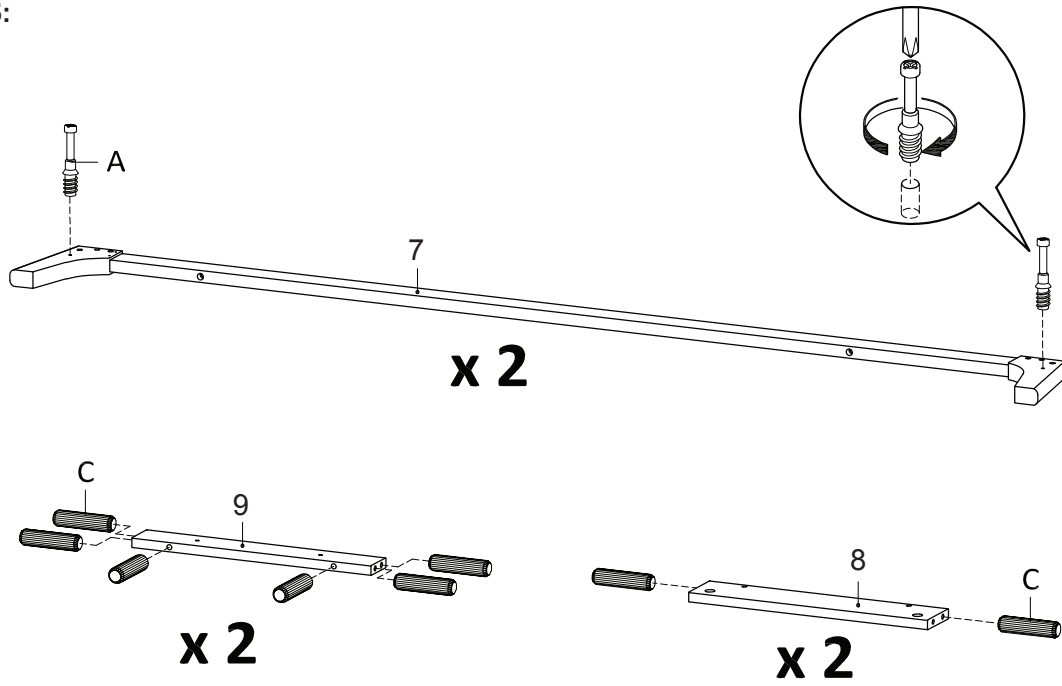


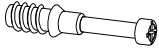
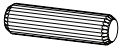
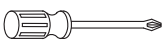
		
Bx4	Ex6	Px1

Hardware required.  
Screwdriver not included

# TV Stand

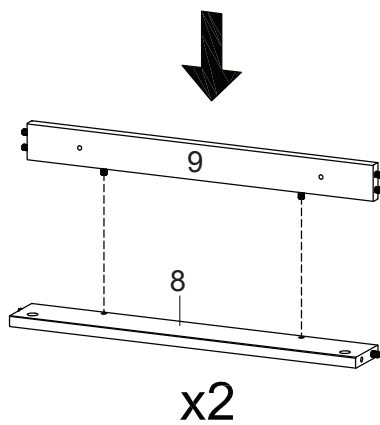
## STEP 5:



		
Ax4	Cx16	Px1

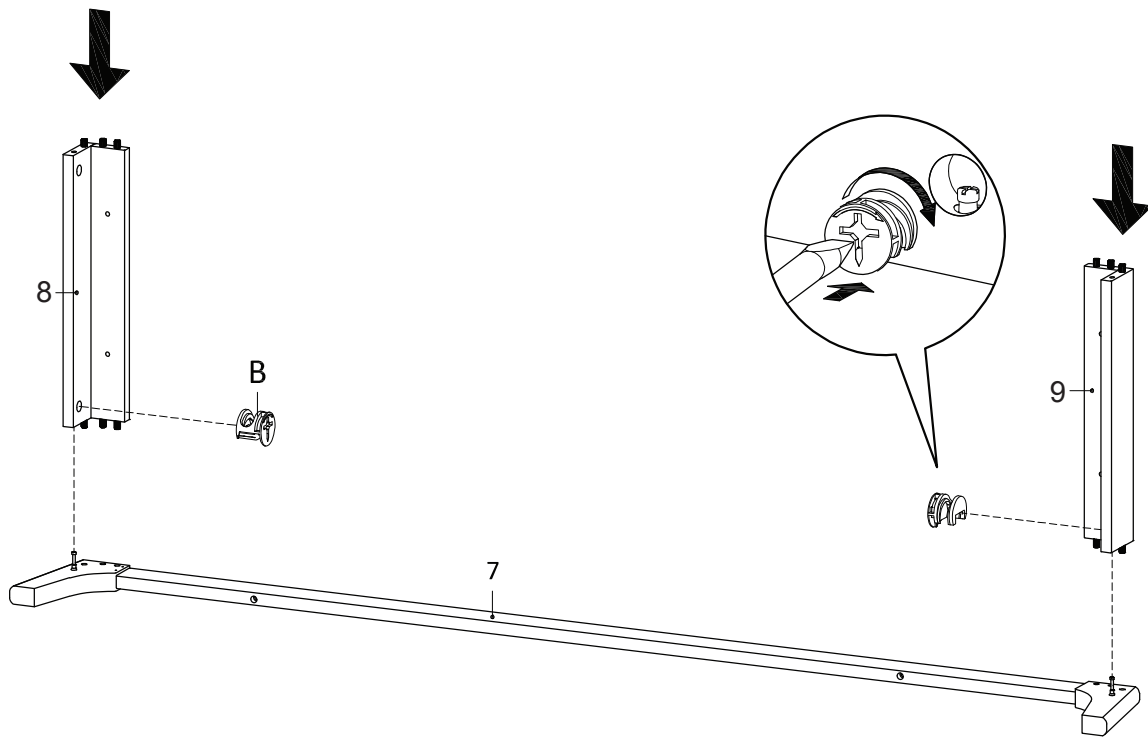
Hardware required. Screwdriver not include


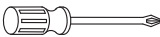
## STEP 6:



# TV Stand

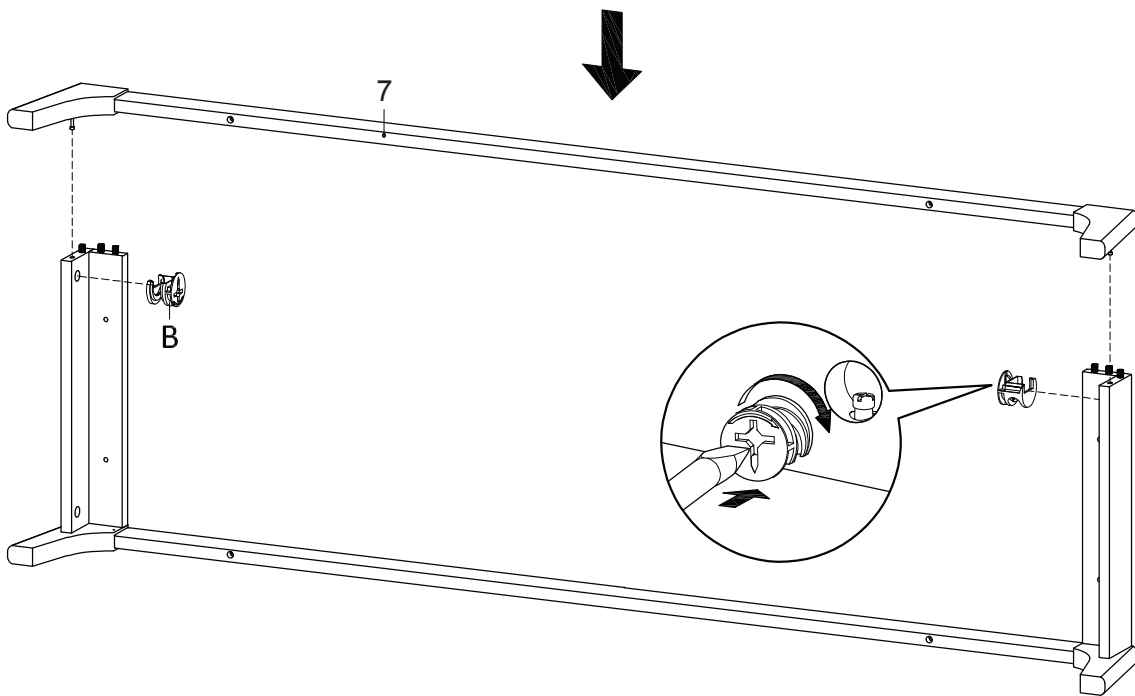
## STEP 7:





	
Bx2	Px1

Hardware required. Screwdriver not included

## STEP 8:

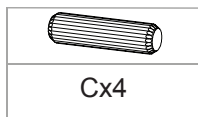
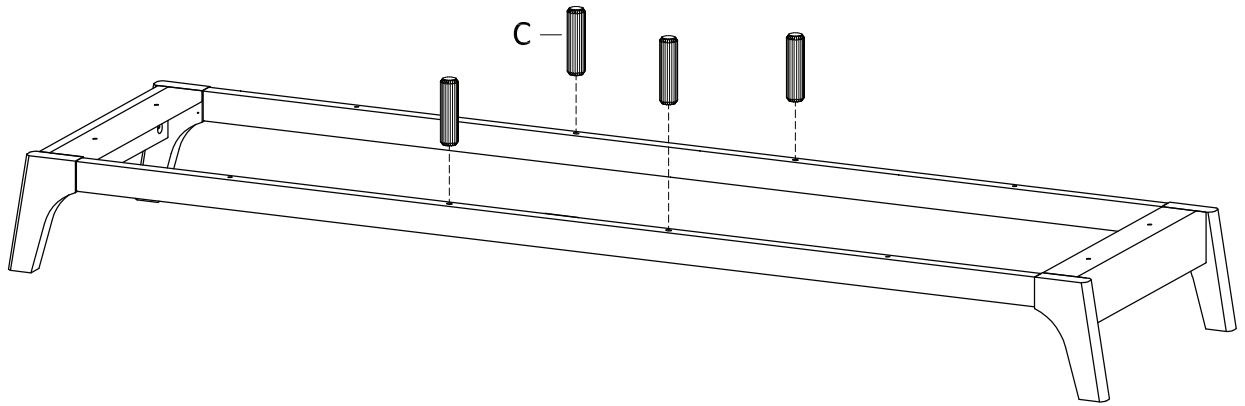


	
Bx2	Px1

Hardware required. Screwdriver not included

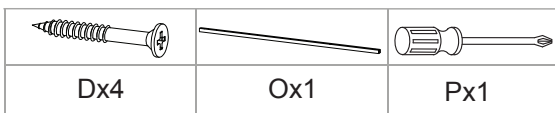
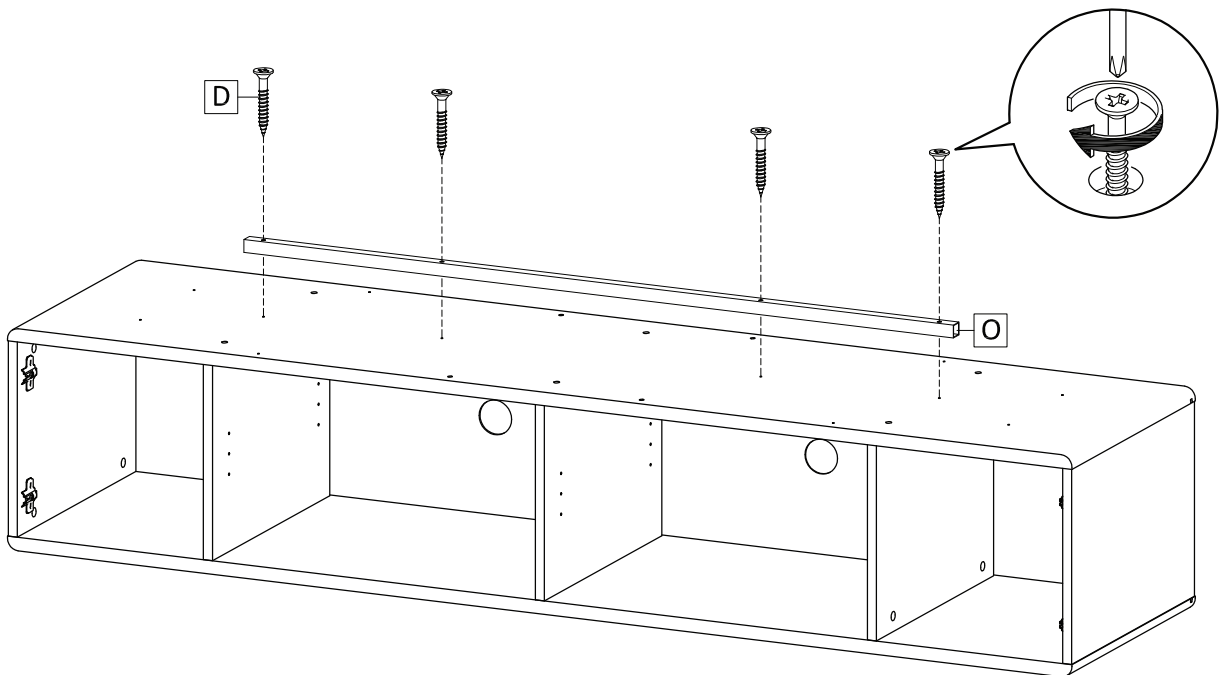
# TV Stand

## STEP 9:



Hardware required.

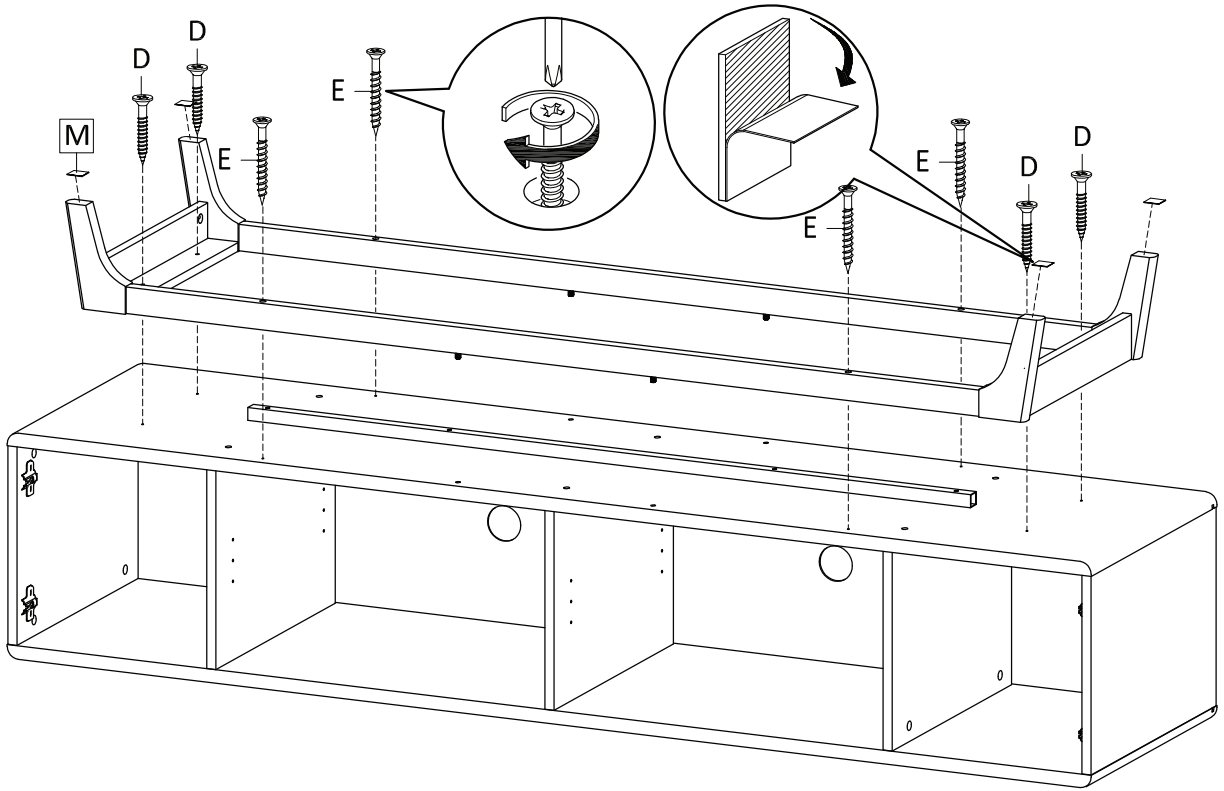
## STEP 10:

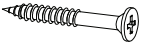





Hardware required.  
Screwdriver not included

# TV Stand

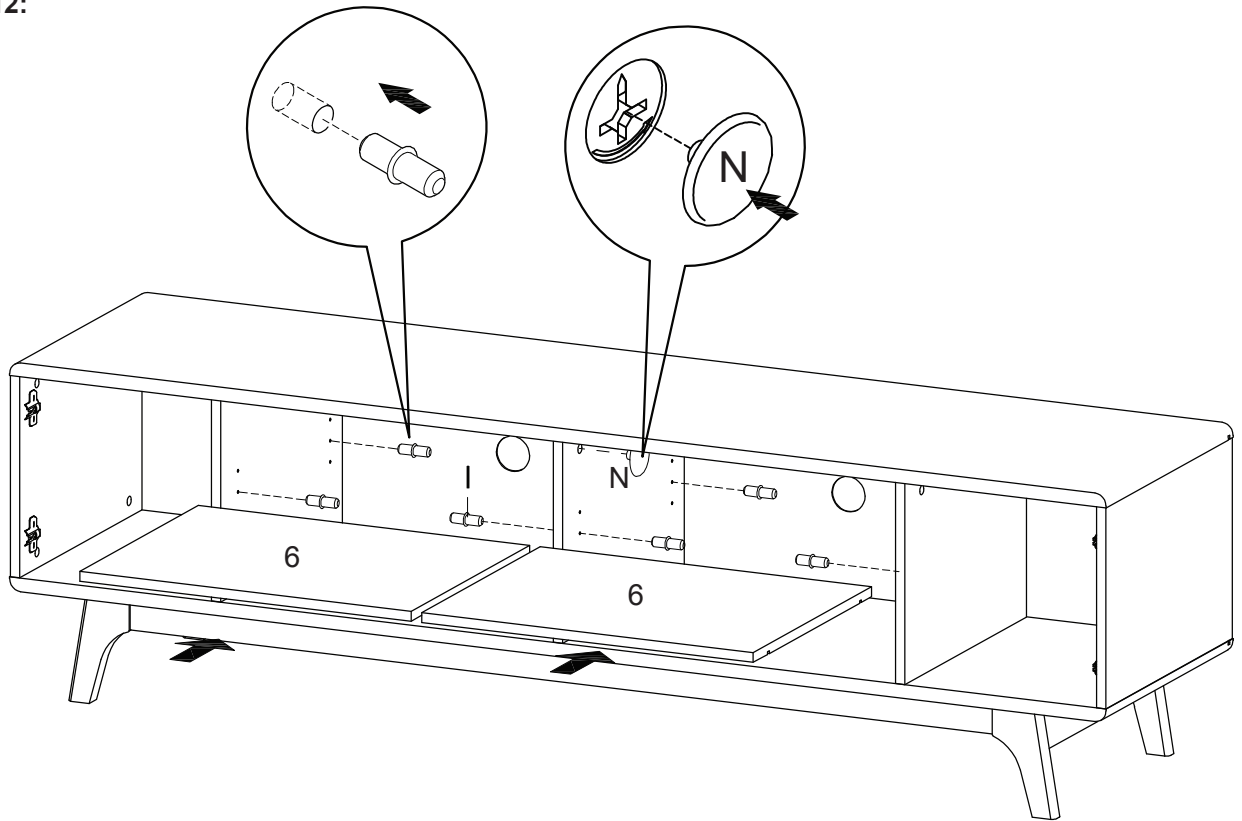
## STEP 11:

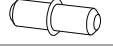



			
Dx4	Ex4	Mx4	Px1

Hardware required.  
Screwdriver not included

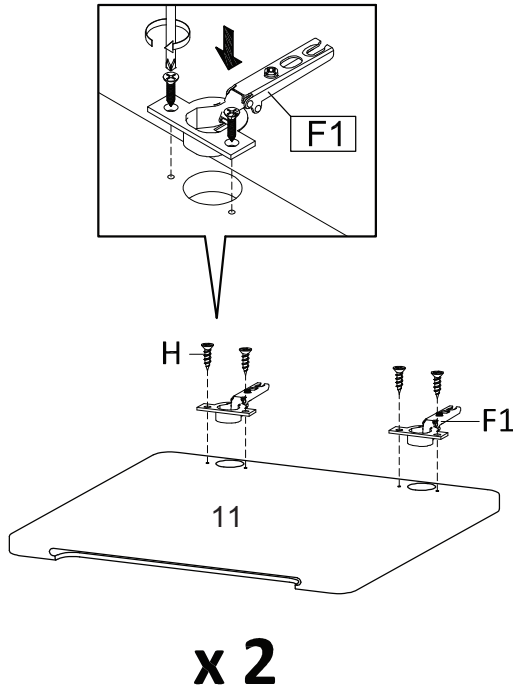
## STEP 12:






	
Ix8	Nx2

Hardware required.

STEP 13:

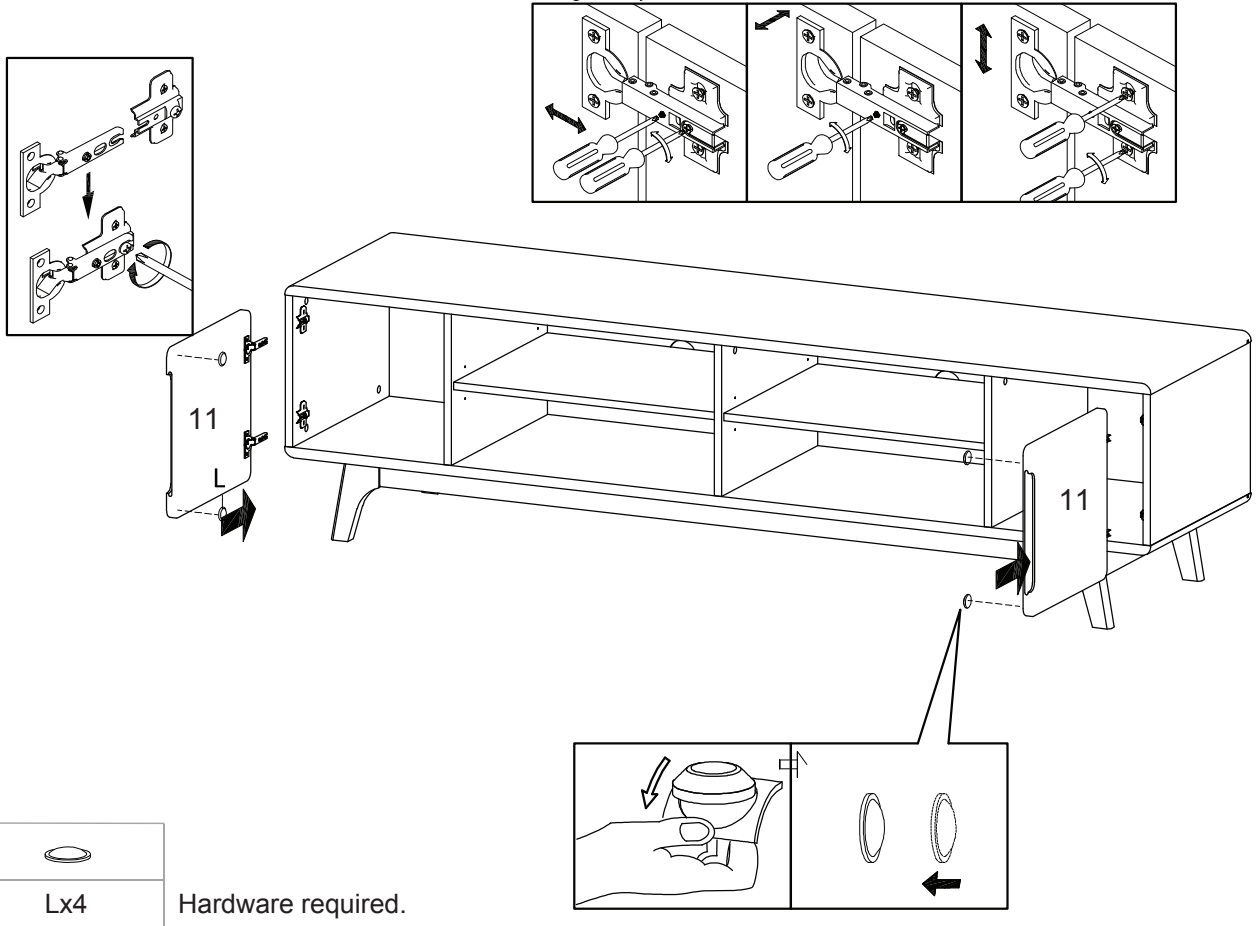


		
Fx4	Hx8	Px1

Hardware required. Screwdriver not included

STEP 14:

Hinges Adjustment

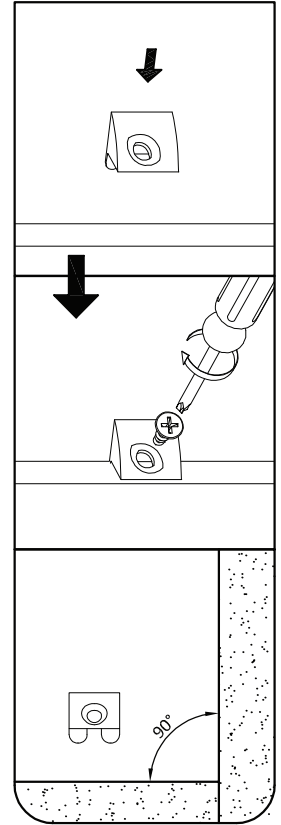
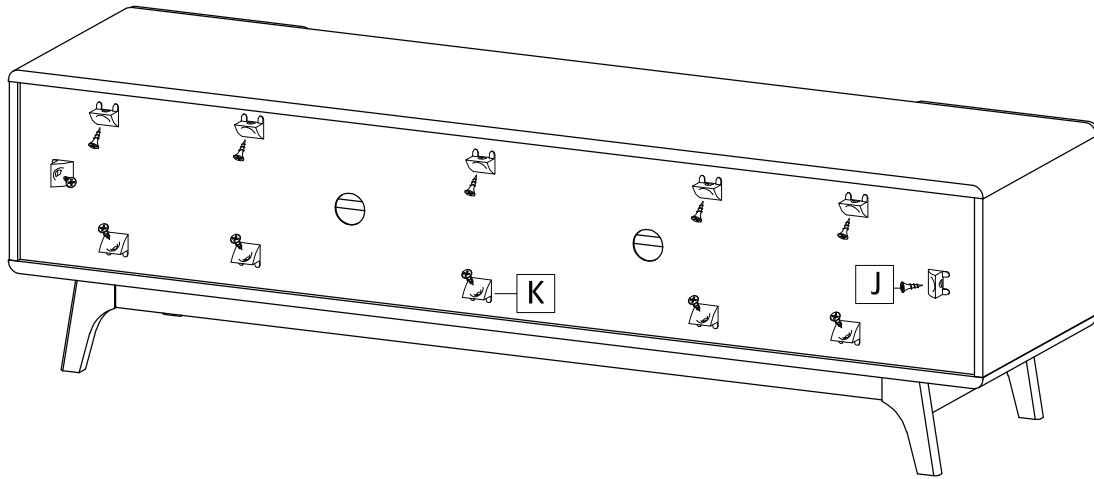



Lx4

Hardware required.

## TV Stand

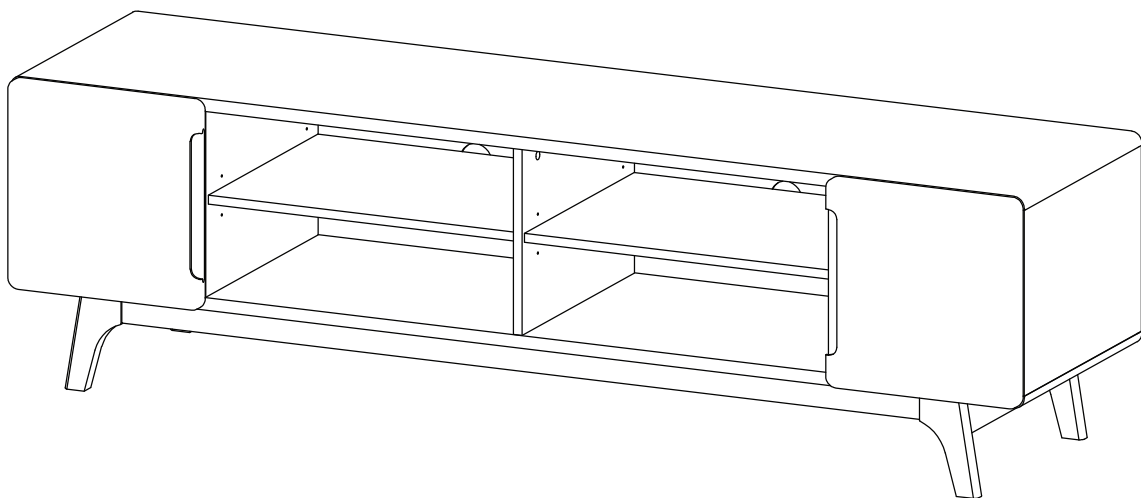
### STEP 15:



		
Jx12	Kx12	Px1

Hardware required. Screwdriver not included

### STEP 16:



**Assembly is complete. The TV Stand is ready to enjoy now !**