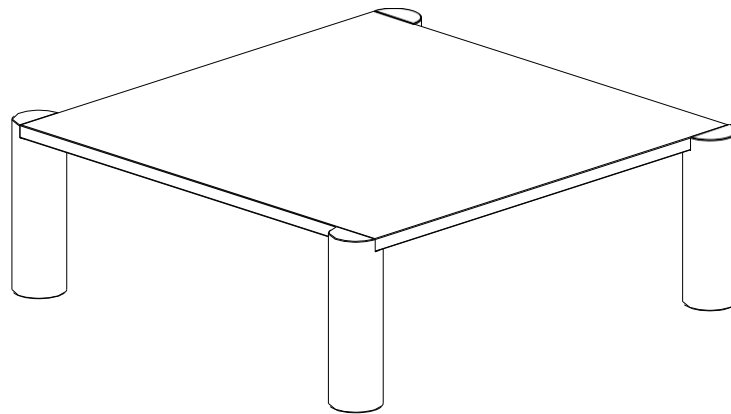


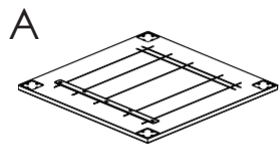
ASSEMBLY INSTRUCTIONS.

POST COFFEE TABLE BLACK ASH

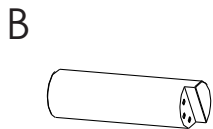


THANK YOU FOR YOUR PURCHASE!

PART LIST



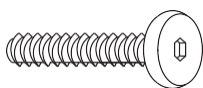
Top Table = 1pc



Leg = 4pcs

HARDWARE LIST

1. Bolt



M6x20mm

24pcs

2. Spring washer



M6.5x13mm

12pcs

3. Flat washer



M6.5x18mm

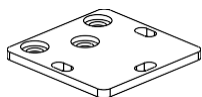
12pcs

4. Allenkey



1 pc

5. Mounting Plate metal



4pcs

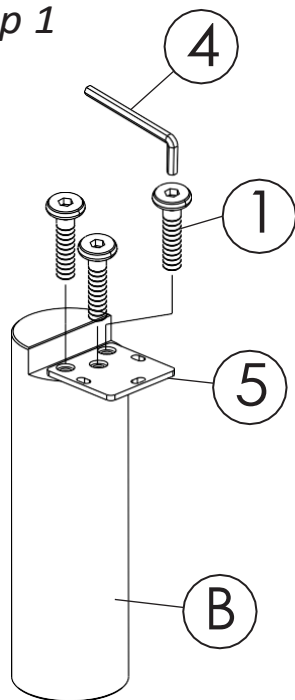
NOTES.

Thank you for purchasing this quality product! Be sure to check all packing material carefully for small part that may have come loose inside the carton during shipping.

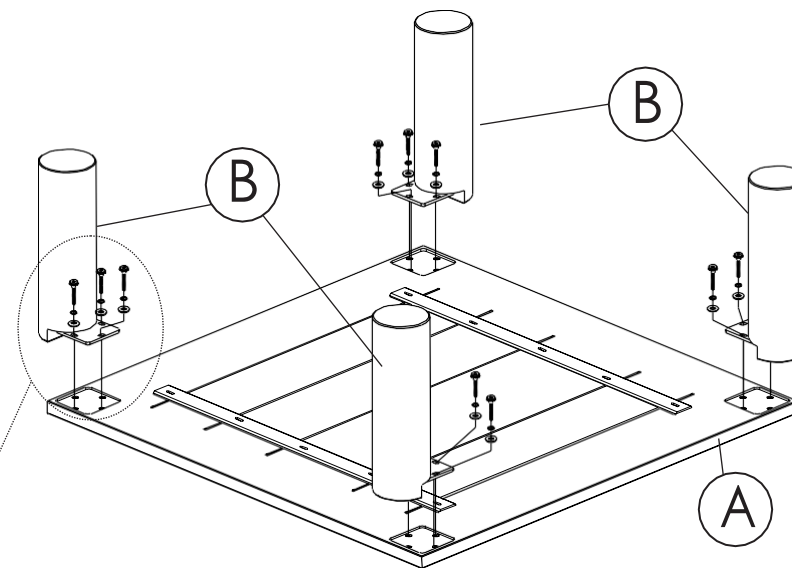
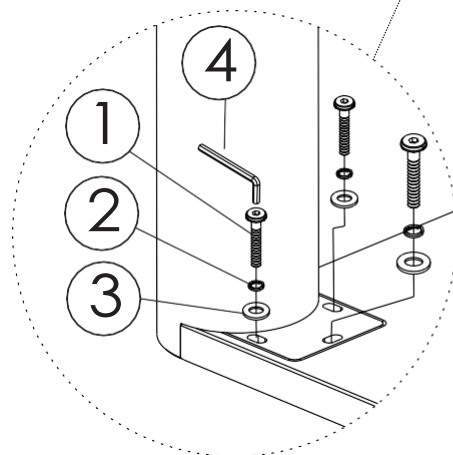
CAUTION:

The item is heavy, assembly should be performed by two people.

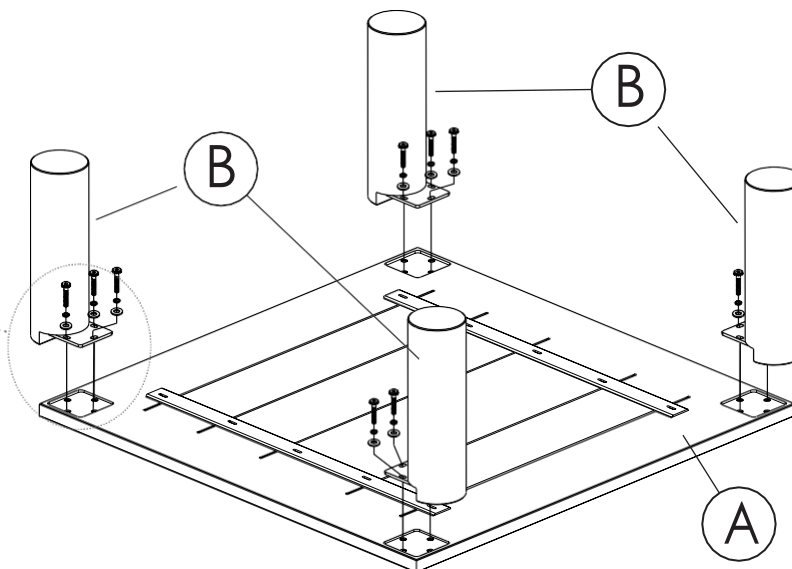
Step 1



Step 2



OPTION 2



OPTION 1