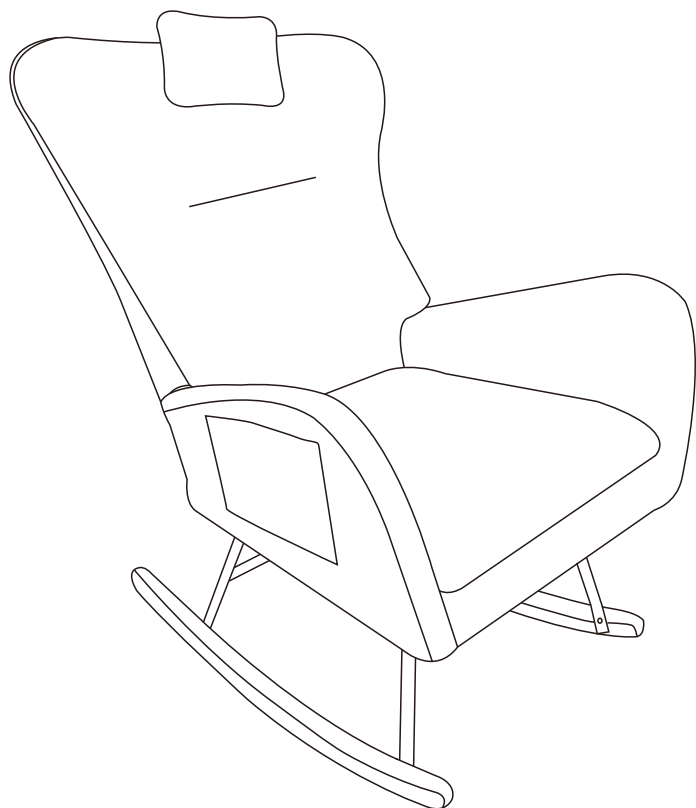


# Rocking Chair

## USER MANUAL

SKU:N652P210515



**PLEASE READ AND SAVE THIS INSTRUCTION FOR FUTURE USE.**

### **Only for domestic use.**

#### **Instructions for use:**

- Put the chair stably on a flat floor.
- Avoid the overload at the chair.
- Do not stand on the product or use this product as a step ladder.
- Do not use this product unless all bolts, screws and knobs are firmly secured.
- Please do not use knife to open any parts of the box or product.
- Building the chairs in good condition.
- Stay away from open flames. Do not expose it to extreme temperatures or moisture.
- Do not allow children to assemble or play around the chair.

#### **Precautions before assembly:**

- Prepare a clean and dry mounting area.
- Verify that the product is not damaged.
- Check that none of the pieces are missing.

#### **Maintenance:**

- Clean the surface with a mild detergent and a soft cloth.
- Avoid using harsh chemicals or abrasive cleaners, as they may damage the chair's surface.
- Inspect the chair regularly for any signs of wear or loose parts.
- Keep the chair away from direct sunlight to prevent fading or discolouration.
- The fabric should be stored completely dry, in a clean and dry place to avoid the risks of mould.

*Beware of crushing and cutting hazards during assembly. The manufacturer declines all responsibility in case of damages due to a bad installation or withering.*

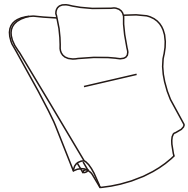
*If you have any questions or encounter any issues with the chair assembly or usage, please contact the seller for assistance.*

*We hope you enjoy using your new chair!*



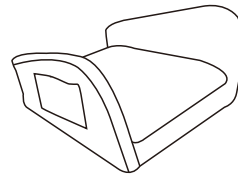
# PART LIST

A\*1



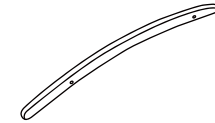
Backrest

B\*1



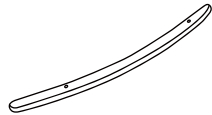
Seat

C\*1



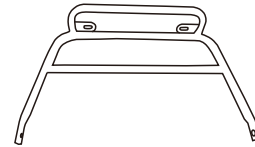
Left Wooden leg

D\*1



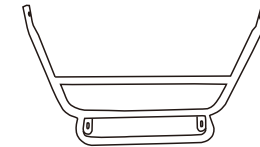
Right Wooden leg

E\*1



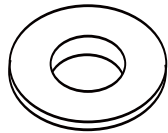
Front Iron leg

F\*1



Rear Iron leg

G\*2



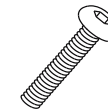
M8\*22mm  
Flat Washer

H\*8



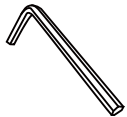
Screw  
M6\*20mm

I\*2



Screw  
M6\*60mm

J\*1



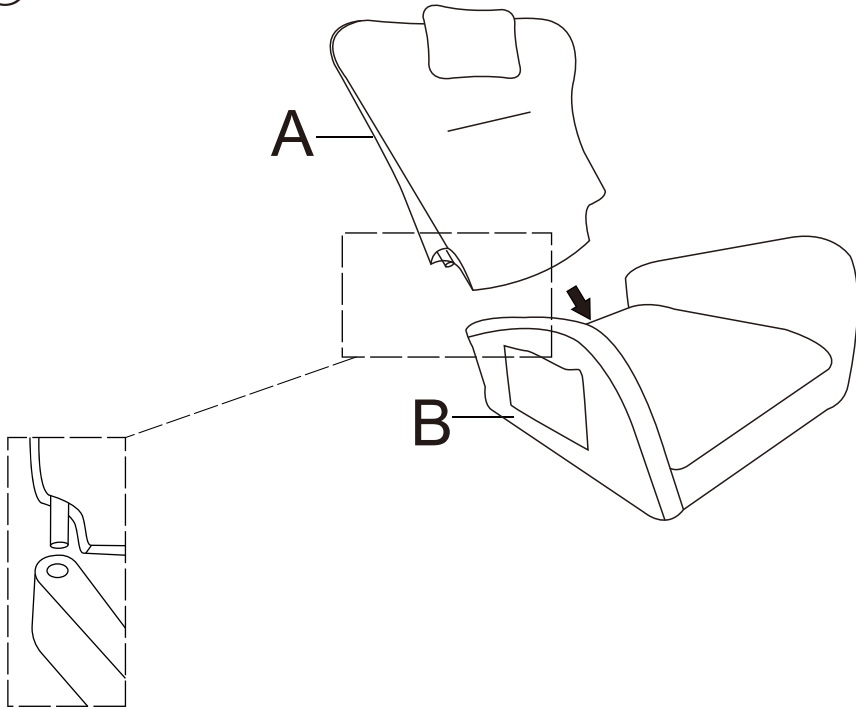
M6

Allen Key



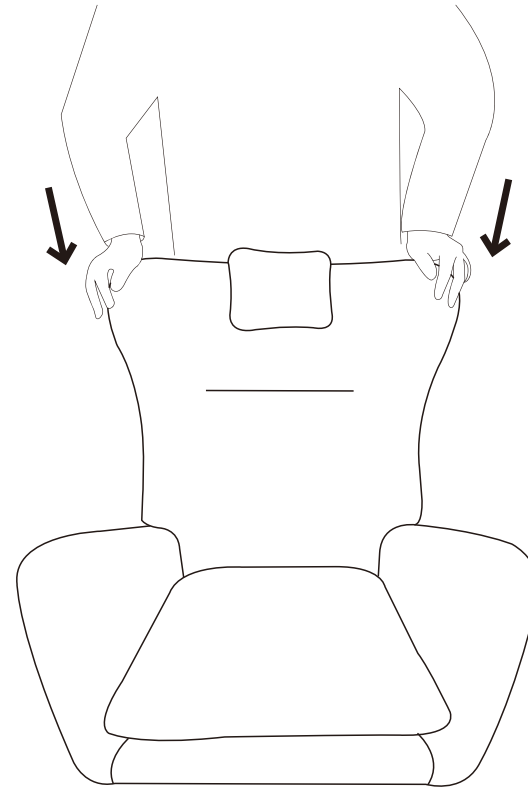
# INSTALLATION

①



There are 2 round tubes at the bottom of the seat back, please insert them into the holes on the armrest.

②

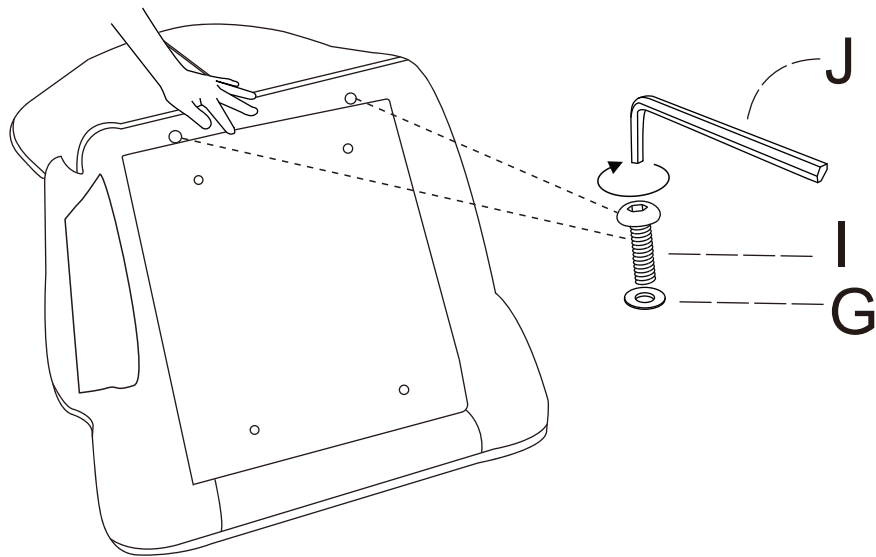


Hold the backrest and press down



# INSTALLATION

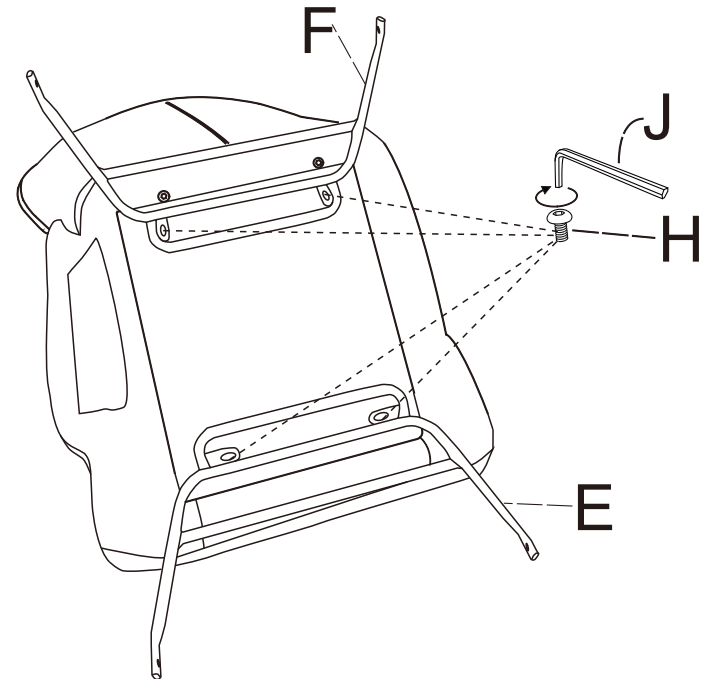
③



## Attention :

1. Please align the holes in the back and base and attach the base to the back with the screws, which should only be tightened 50%.
2. Then make sure that the back and the base fit tightly and then tighten the screws to 100%.

④



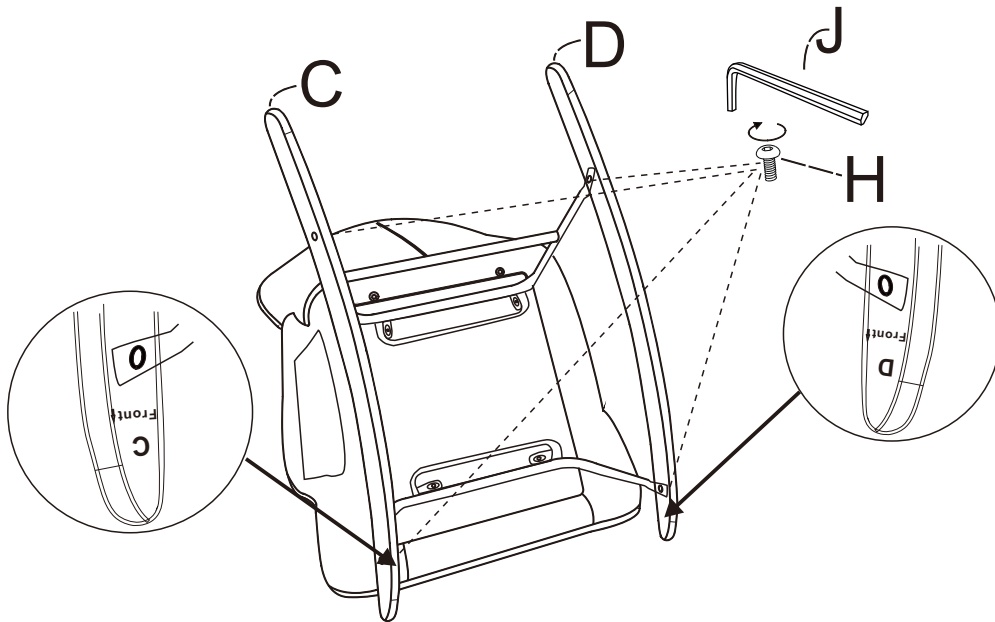
## Attention :

1. When assembling the brackets (part E, part F), the screws can only be tightened 50%.



# INSTALLATION

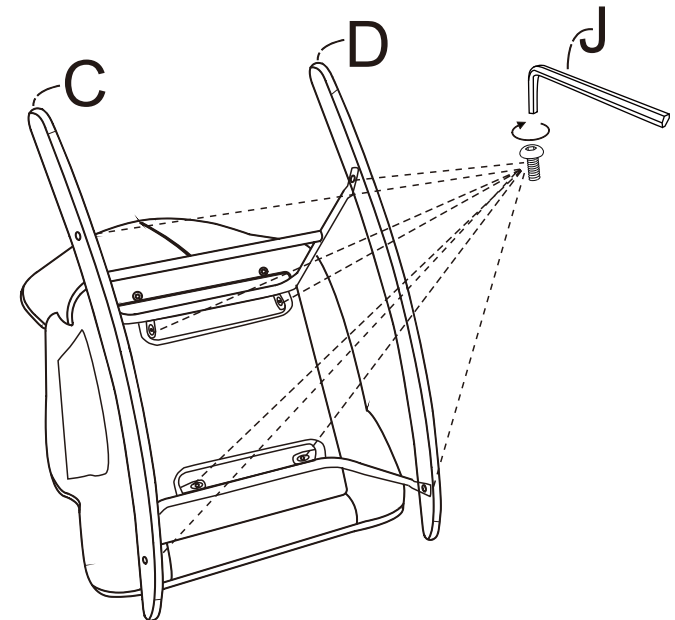
⑤



Attention :

1. Tighten the screws only 50%.
2. Ensure that the longer side of parts C and D faces the back of the chair.

⑥



Attention :

1. After aligning all the parts and the screws are aligned with the holes, then fully tighten the screws to 100%.