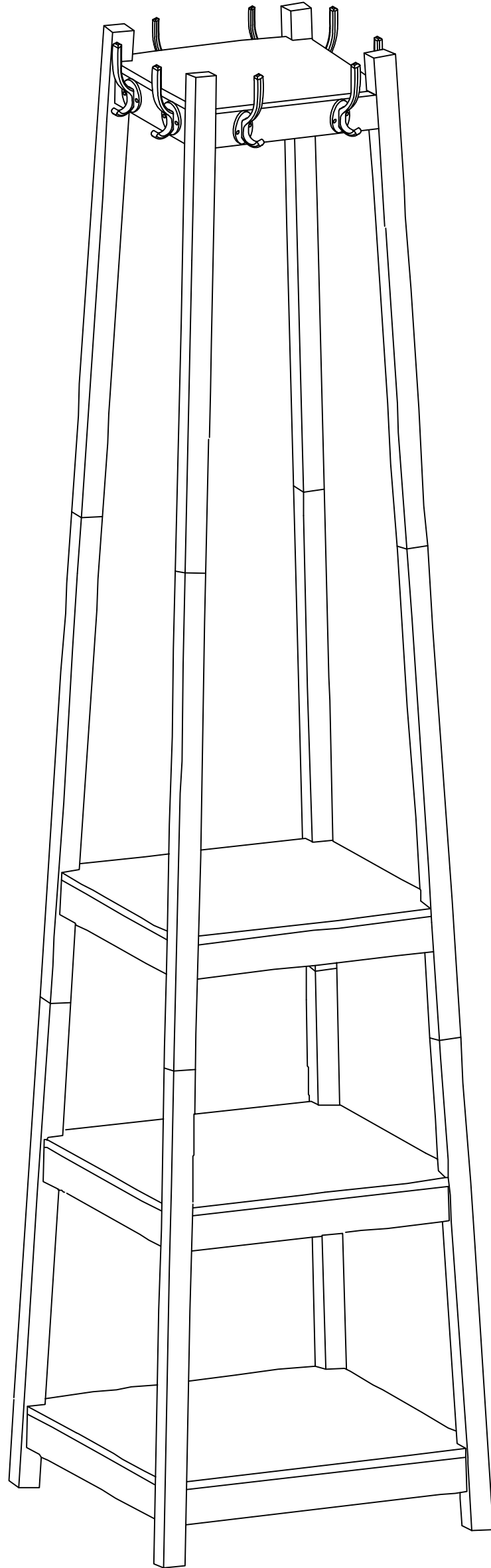
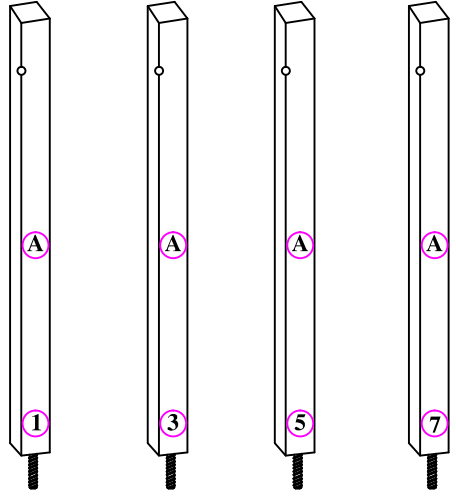


ASSEMBLY INSTRUCTIONS



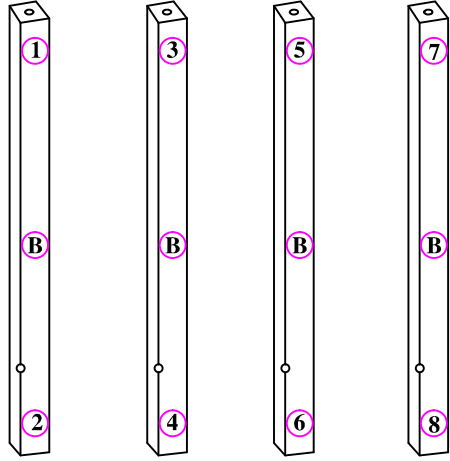
ASSEMBLY INSTRUCTIONS

Parts List



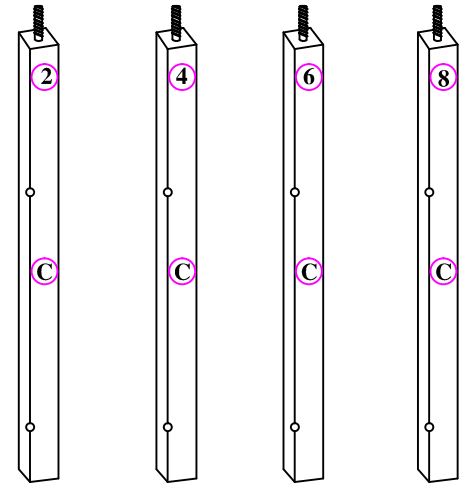
HAUT LEG

A X 4



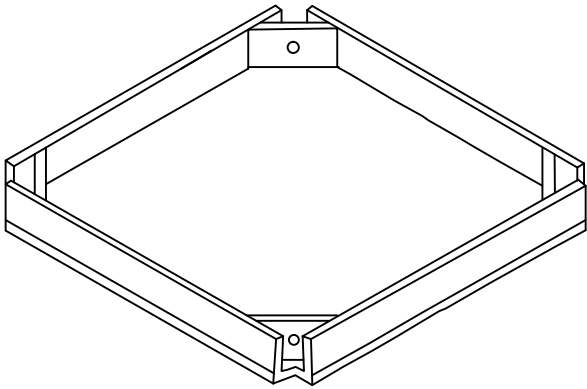
CENTER LEG

B X 4



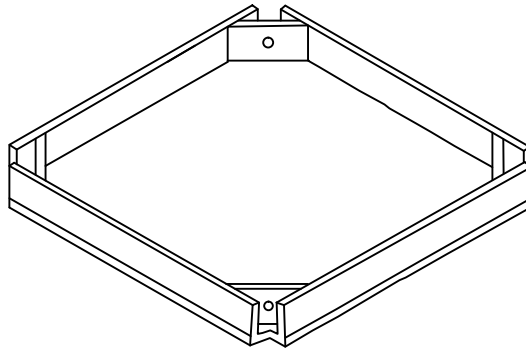
BAS LEG

C X 4



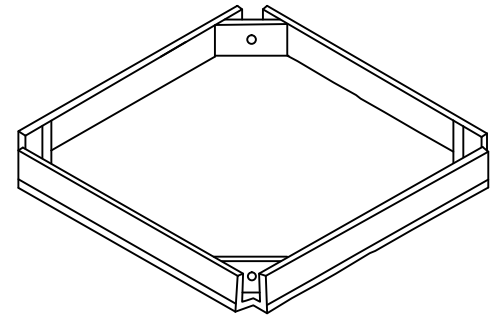
BOTTOM FRAME

D X 1



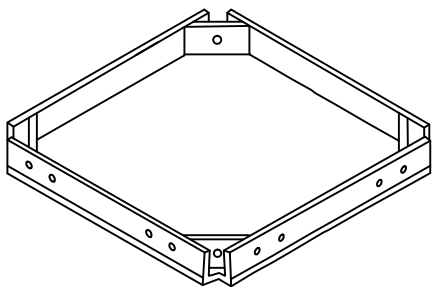
FIRST SHELF FRAME

E X 1



SECOND SHELF FRAME

F X 1

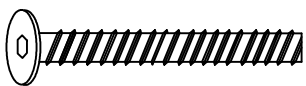


TOP FRAME

G X 1

Hardware List

1



1/4" x 50mm 16pcs

2



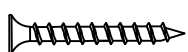
Ø7-Ø10x1mm 16pc

3



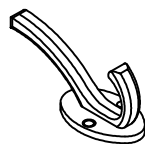
Ø6-Ø16x1mm 16pcs

4



Ø3-10mm 16pcs

5



8pcs

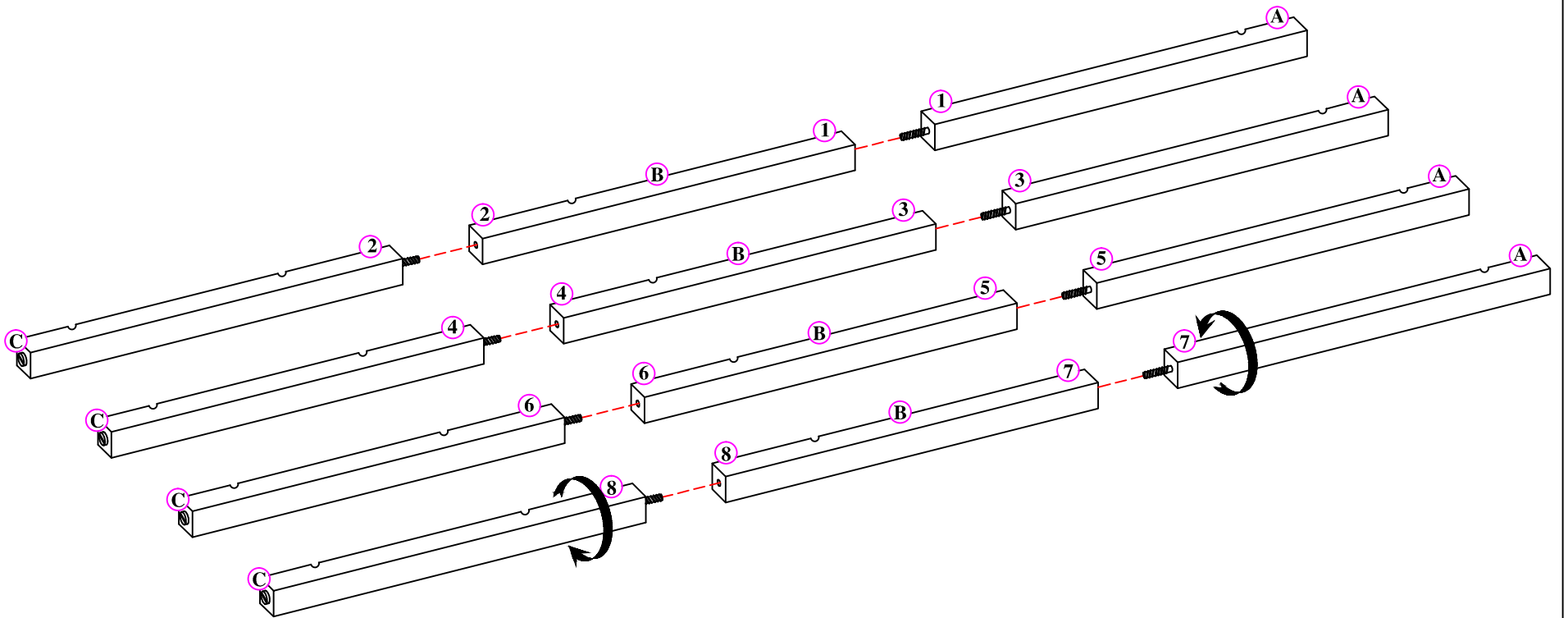
6



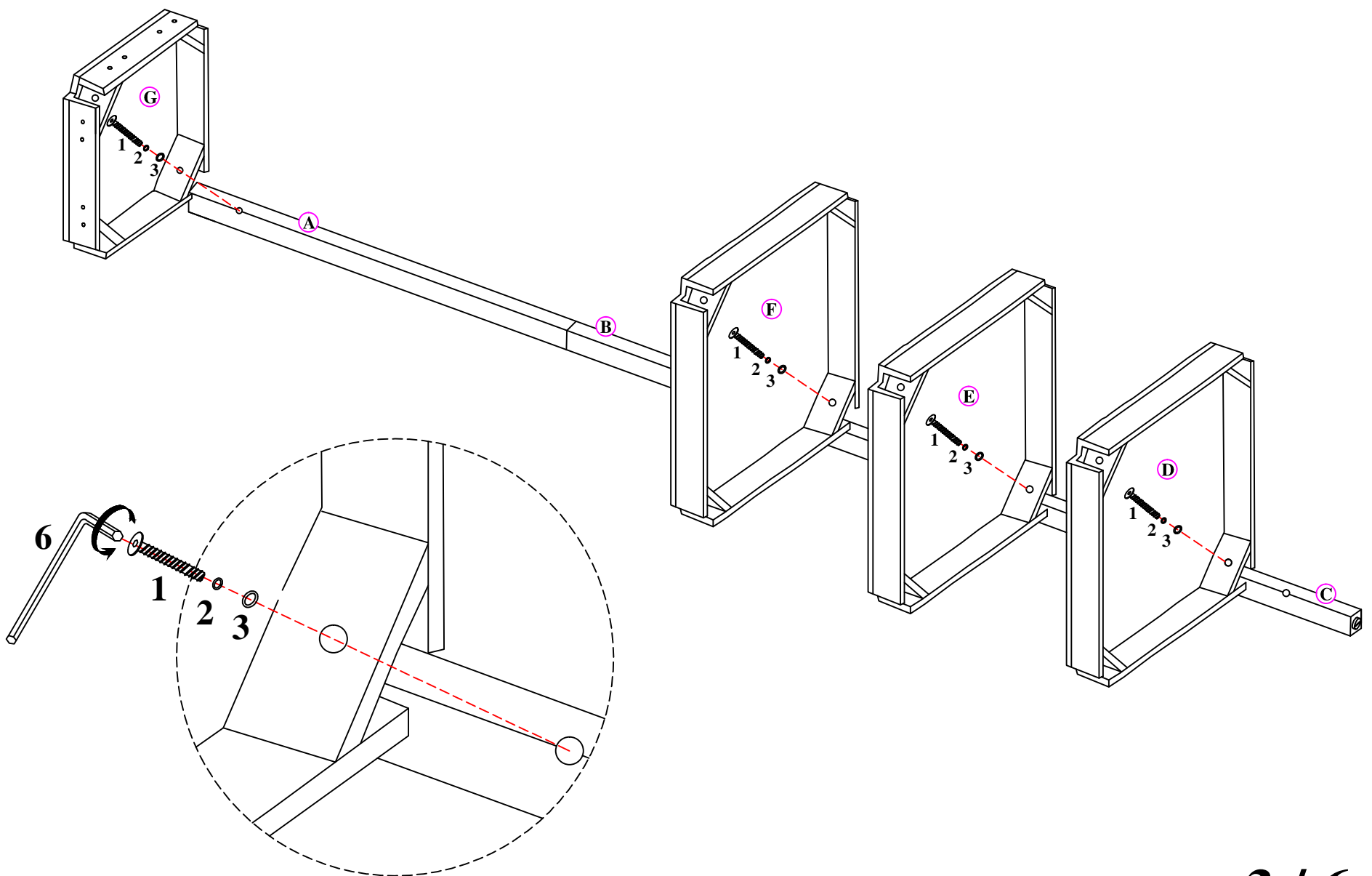
4mm 1pc

ASSEMBLY INSTRUCTIONS

STEP 1

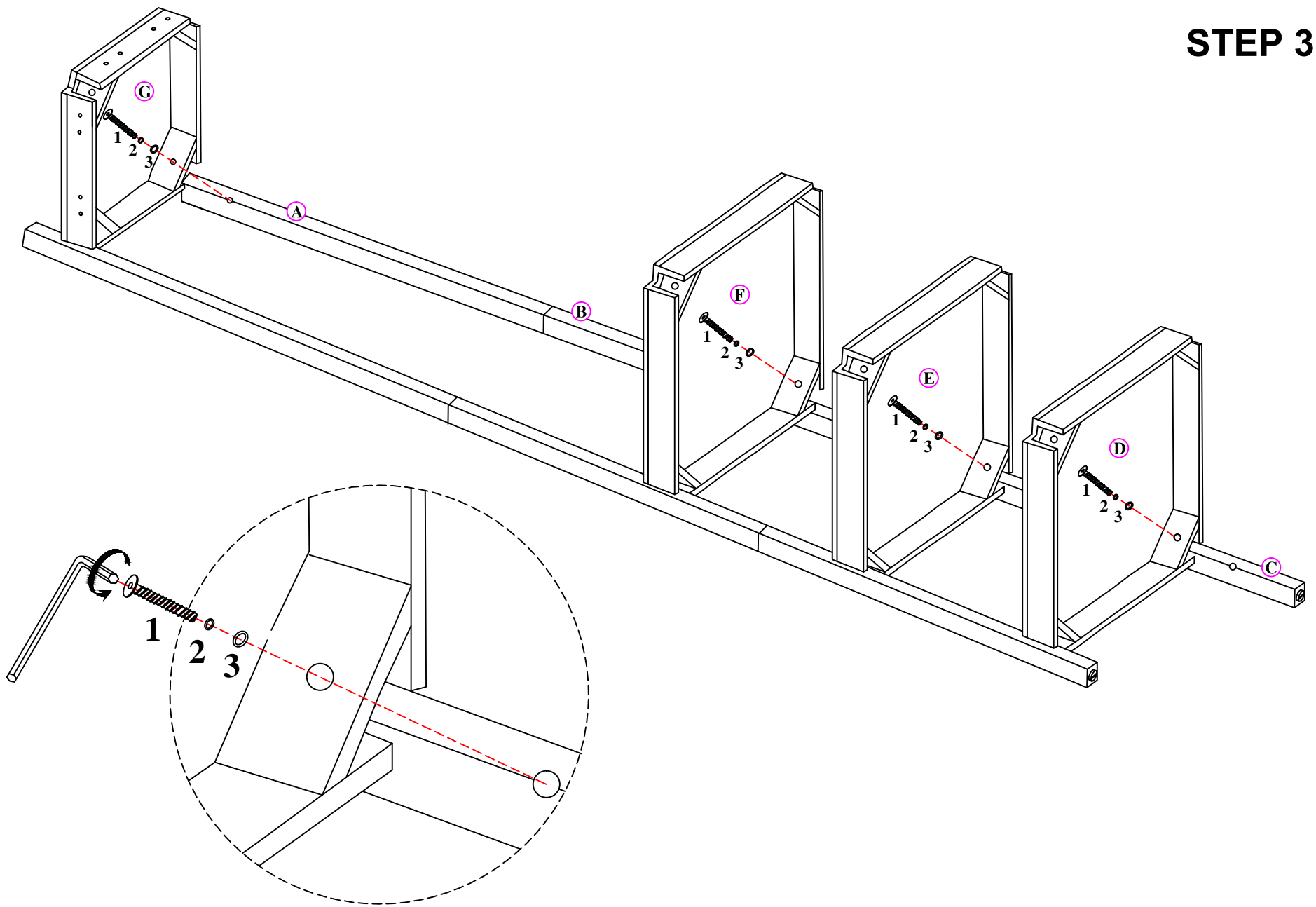


STEP 2

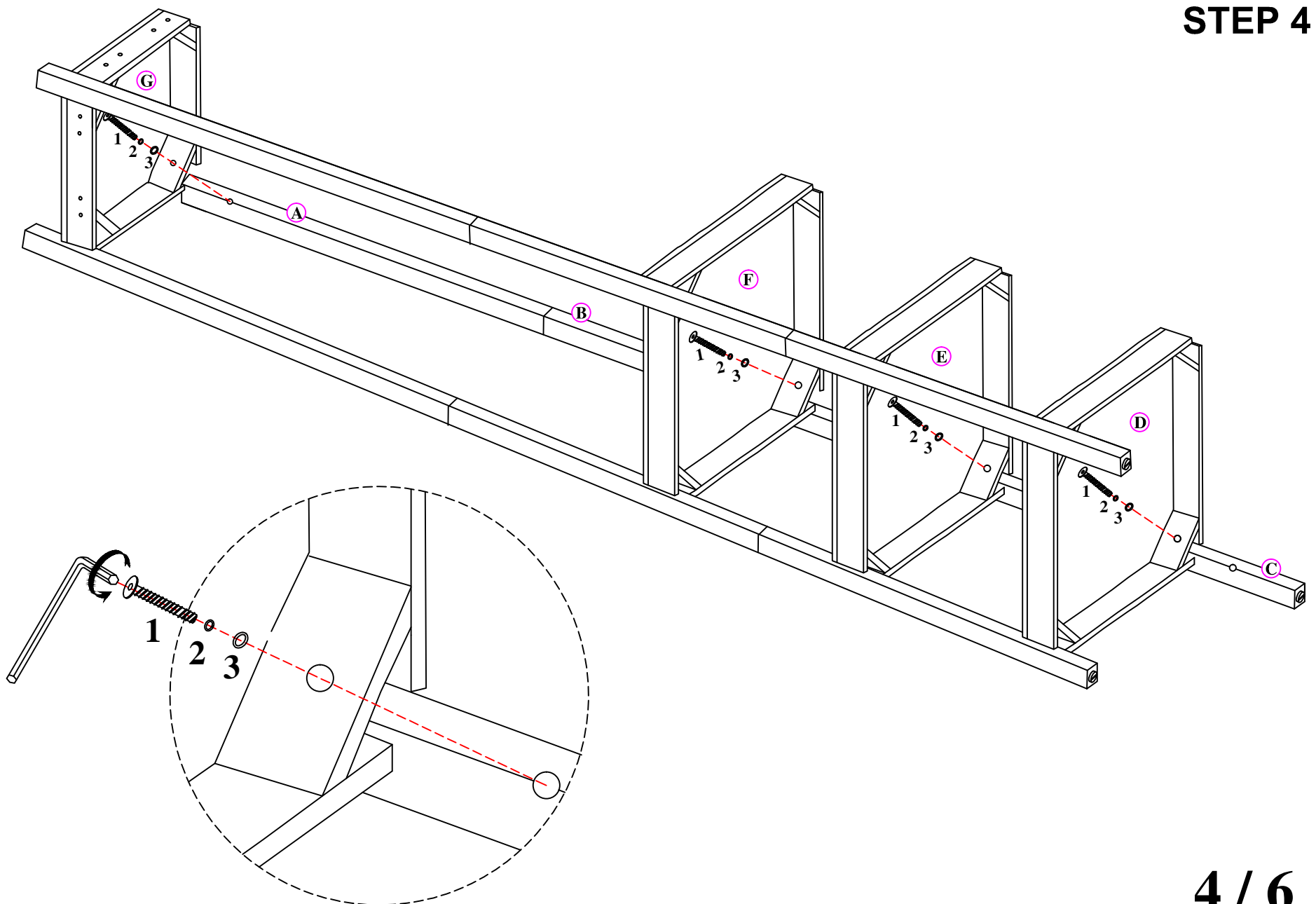


ASSEMBLY INSTRUCTIONS

STEP 3

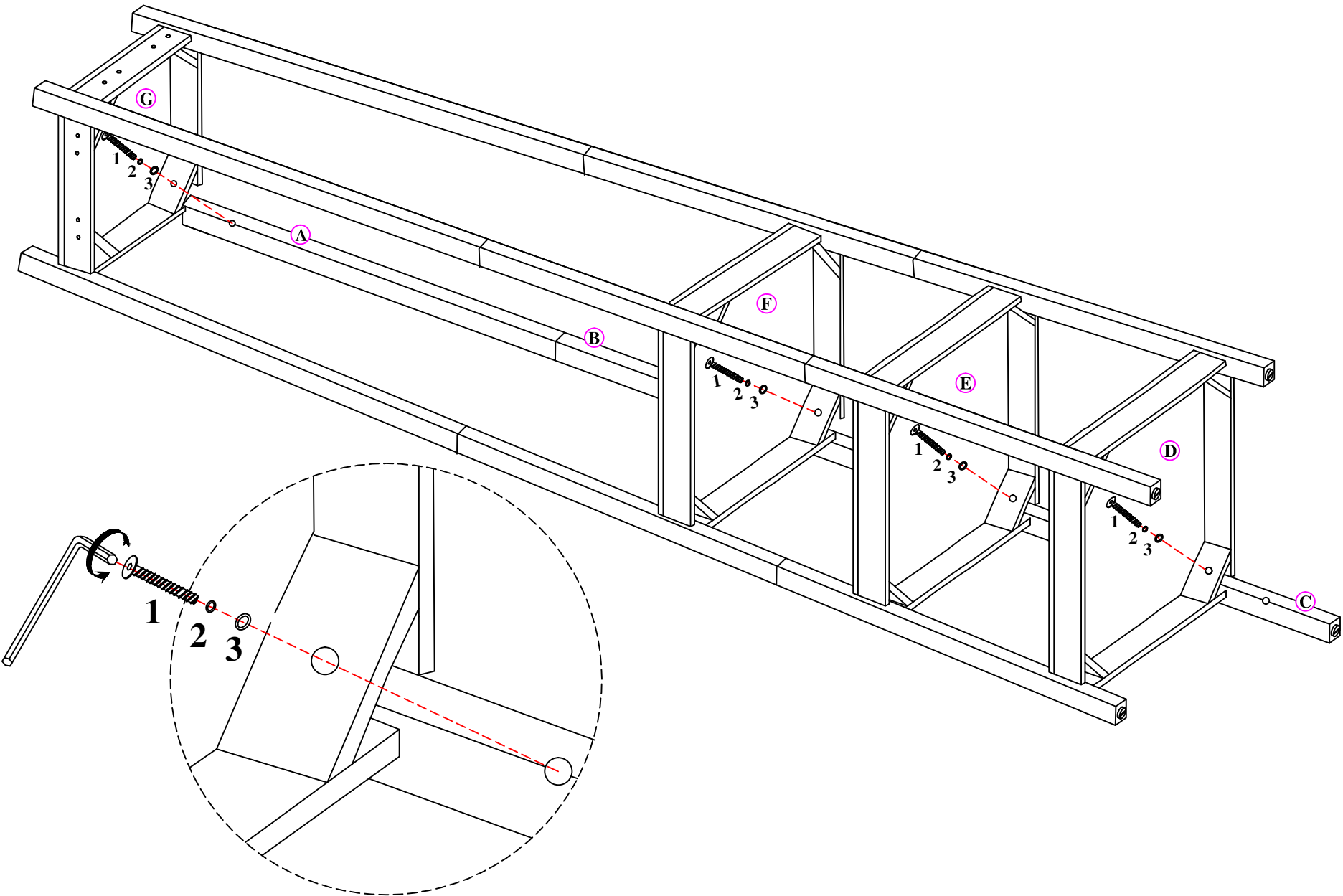


STEP 4

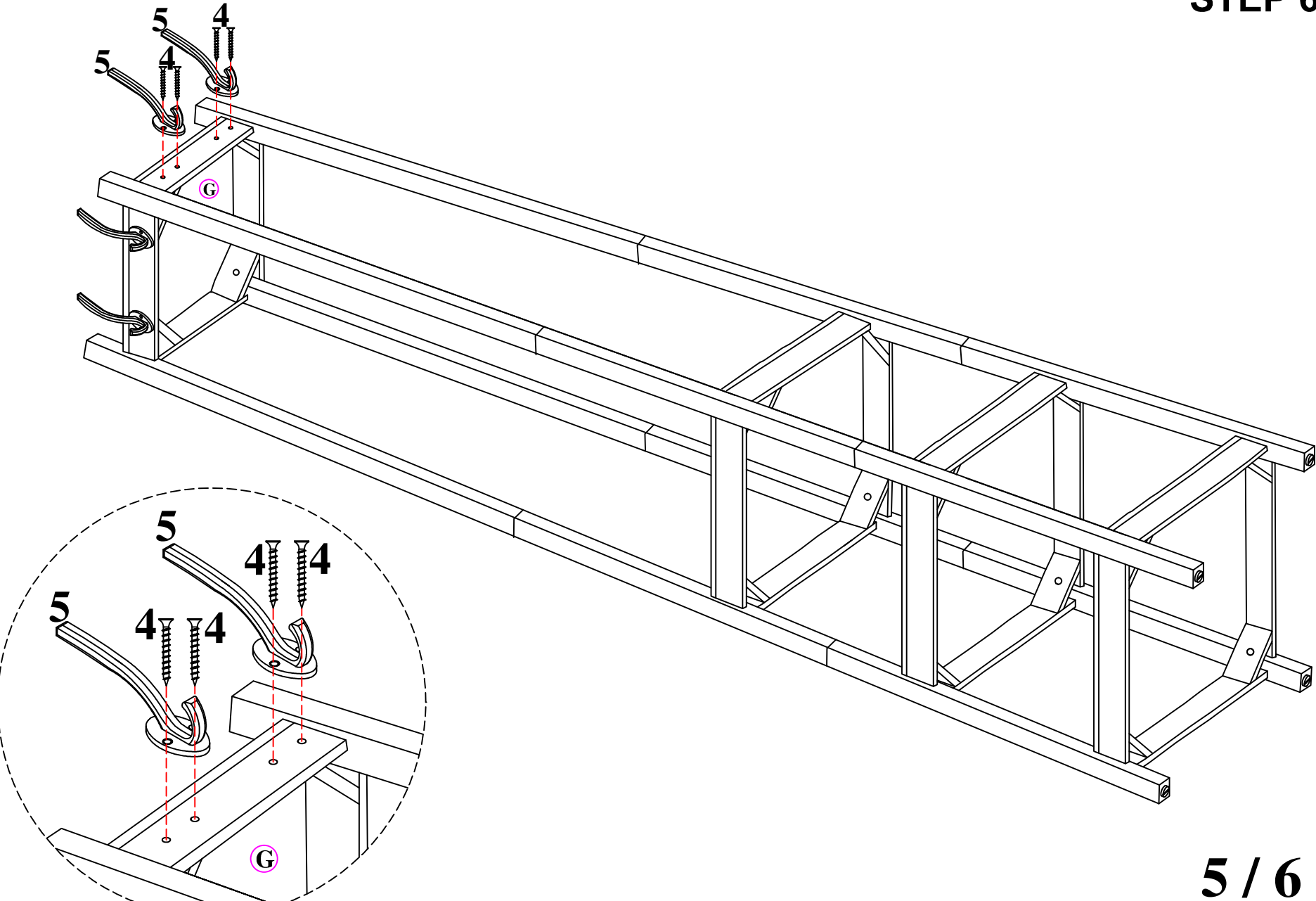


ASSEMBLY INSTRUCTIONS

STEP 5



STEP 6



ASSEMBLY INSTRUCTIONS

STEP 7

